

1983 GL650I Parts Manual

The data contained herein was collected from sources on the Internet freely available to the general public.

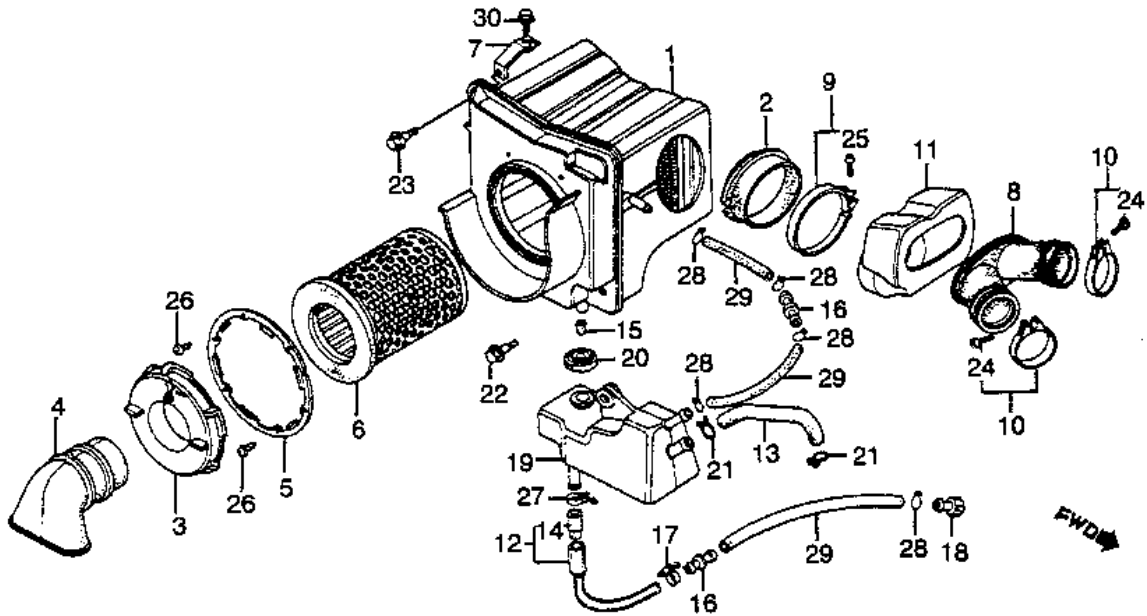
Disclaimer: The information contained herein is believed to be accurate but the user of this data assumes all risk associated with its usage.

Table of Contents

Air Cleaner.....	4
Alternator & Starter Clutch.....	6
Battery & Sidecovers.....	7
Block, Cylinder.....	8
Brake Calipers.....	10
Brake Lines, Front & Master Cylinder & Lever.....	11
Brake Panel, Rear & Rear Axle.....	12
Camshaft & Rocker Arms & Tachometer Gear.....	13
Camshaft Chain & Tensioner.....	14
Carburetors.....	15
Clutch.....	17
Clutch Cover & Oil Filter.....	18
Coolant Reserve Tank & Engine Hangers.....	19
Cowl Stay (Fairing Mount).....	20
Crankshaft & Pistons.....	21
Cylinder Head, Left.....	22
Cylinder Head, Right.....	23
Cylinder Head Covers.....	24
Electrical Plate & Modules.....	25
Engine Cover, Front (Transmission Cover).....	26
Engine Cover, Rear.....	27
Exhaust System.....	28
Fairing.....	30
Fairing Pockets & Air Ducts.....	31
Fairing Wire Harness.....	32
Fender, Front.....	33
Fender, Rear.....	34
Final Shaft.....	35
Footpegs.....	36
Forks & Wire Box.....	38
Frame.....	40
Fuel Tank & Petcock.....	41
Gasket Kit A.....	42
Gasket Kit B.....	43
Handlebar & Top Bridge & Fuse Panel & Lockset.....	44
Handlebar Controls.....	45
Headlight.....	46
Instruments: Speedometer & Tachometer & Lights.....	47
Oil Pan.....	49
Oil Pump & Primary Drive Gear.....	50
Pedal, Brake & Shift.....	51
Radiator & Cooling Fan & Grille.....	52
Rear End.....	53

Saddlebags	55
Seats & Rear Cowl.....	57
Shifter Drum & Forks	58
Shock Absorber & Rear Suspension.....	59
Stand, Center & Side Stand	61
Starter Motor.....	62
Steering Stem & Horns	63
Stripes (Decals).....	64
Swingarm & Driveshaft	65
Tail Light	67
Thermostat & Cooling Pipes & Hoses.....	68
Tools	69
Transmission.....	70
Trunk.....	71
Turn Signals & Brackets.....	73
Valves & Rocker Arms.....	75
Water Pump & Ignition Pulse Generator	76
Wheel, Front & Brake Discs.....	77
Wheel, Rear.....	78
Windscreen & Mirrors & Instrument Shroud	79
Wire Harness & Ignition Coils	80

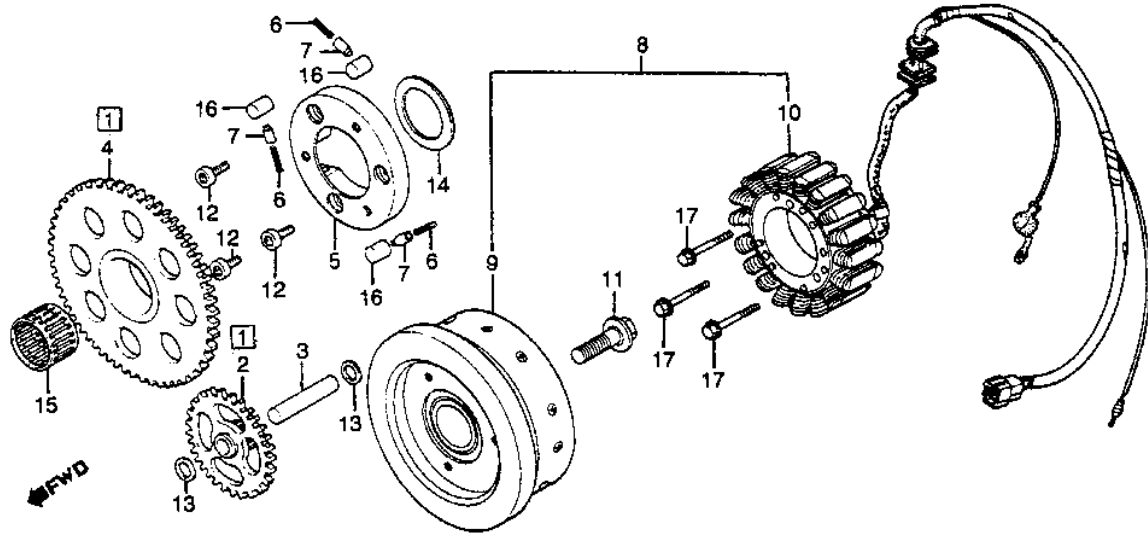
Air Cleaner



REF#	PART		#REQ
01	HOUSING, AIR CLEANER	17205-MA1-010	
	(replaces	17205-ME2-000)	001
02	TUBE	17212-ME2-000	001
03	CAP, A/CLNR ELEM	17212-415-000	001
04	TUBE	17213-ME2-000	001
05	HOLDER, CAP	17214-415-300	001
06	ELEMENT, AIR CLEANER	17220-ME2-000	001
07	STAY	17231-MA1-000	001
08	TUBE	17254-ME2-300	001
09	BAND, A/CLNR SEAL	17256-ME2-000	001
10	BAND, A/CLNR TUBE	17256-425-010	
	(replaces	17256-358-000)	002
11	CHAMBER, AIR CLEANER	17331-ME2-300	001
12	TUBE, BREATHER	17335-415-670	001
13	TUBE, BREATHER	17336-ME2-000	001
14	FILTER	17337-323-300	001
15	FILTER	17337-426-300	001
16	JOINT, BREATHER TUBE	17359-419-670	001
16	JOINT, BREATHER TUBE	17359-419-670	002
16	JOINT, TUBE	91463-393-780	001
17	CLIP, TUBE (A13.5)	17369-419-670	001
18	PLUG, BREATHER TUBE	17370-419-700	001
19	TANK, STORAGE	17551-MA1-000	001
20	GROM, STORAGE TANK	17552-MA1-000	001
21	CLIP (16MM)	18534-634-670	002
22	BOLT, FLANGE (6MM)	90111-162-000	001
23	BOLT, FLANGE (6X20)	90113-449-000	001
24	SCREW, PAN (4X25)	93500-04025-0A	002
25	SCREW, PAN (5X20)	93500-05020-0G	001
26	SCREW, TAPPING (4X8)	93901-34120	006
27	CLIP, TUBE (A15)	95002-01150	001
28	CLIP, BREATHER TUBE	17316-611-000	004
28	CLIP, TUBE (B12.5)	95002-02130	005
28	CLIP, TUBE (B12.5)	95002-02130	001
29	TUBE B, BREATHER	17341-ME2-000	001
29	TUBE	17342-ME2-000	001

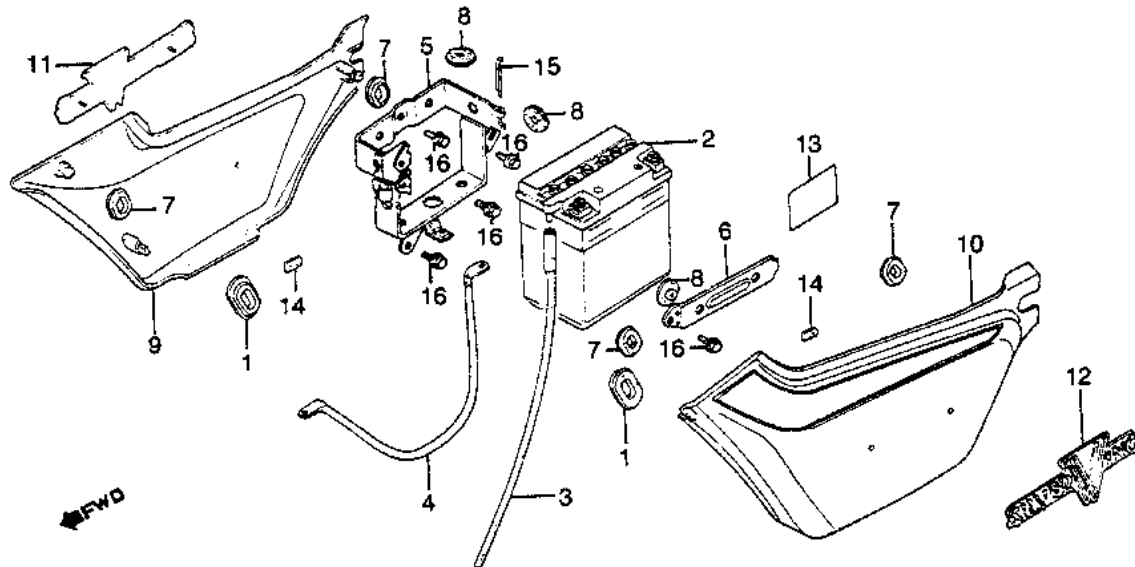
29	BULK HOSE (8X1000)	95005-80001-20M	003
29	BULK HOSE (8X1000)	95005-80001-20M	001
30	BOLT, FLANGE (6X16)	95701-06016-08	
	(replaces	95700-06016-08)	001

Alternator & Starter Clutch



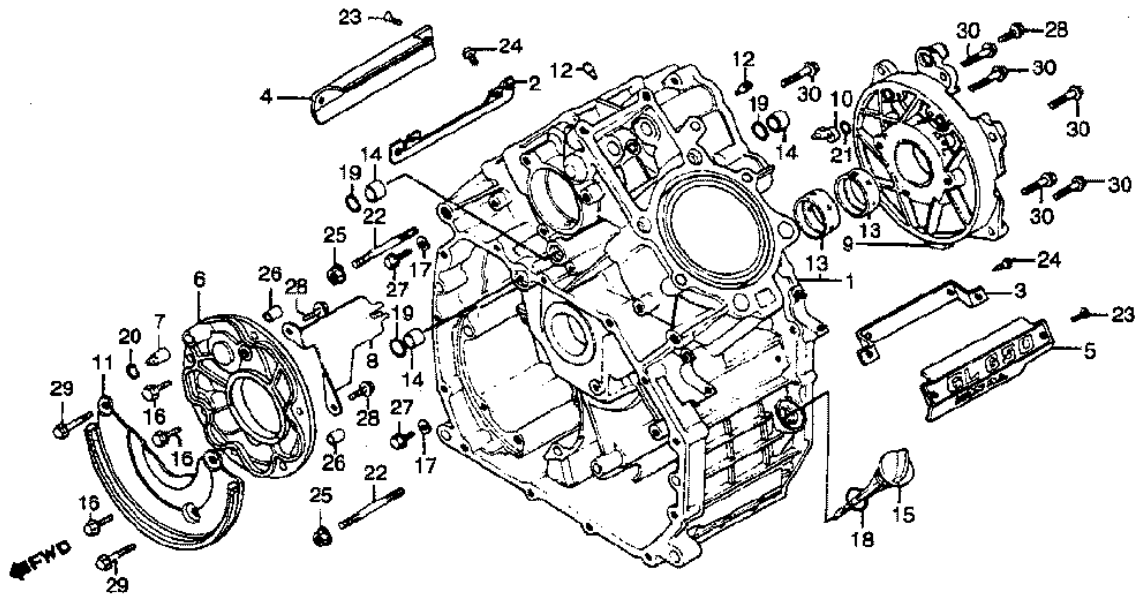
REF#	PART		#REQ
01	GEAR SET, STARTER	28100-415-305	001
02	GEAR	28102-415-010	001
03	SHAFT	28106-415-000	001
04	GEAR	28110-MF5-000	
		(replaces 28110-415-010)	001
05	CLUTCH, STARTER	28120-415-000	001
06	SPRING	28125-516-030	003
07	CAP	28126-415-000	003
08	ALTERNATOR ASSY.	31100-MA1-731	001
09	ROTOR	31110-MA1-731	001
10	STATOR	31120-MA1-005	001
11	BOLT (12X30)	90002-415-003	001
12	BOLT, SOCKET 8MM	90010-KCJ-690	
		(replaces 90010-415-000)	003
13	WASHER (12MM)	90451-708-000	002
14	WASHER (37MM)	90454-415-000	001
15	BEARING (32MM)	91021-415-005	001
16	ROLLER (15X13)	91101-516-000	003
17	BOLT, FLANGE (6X40)	95701-06040-00	
		(replaces 95700-06040-00)	003

Battery & Sidecovers



REF#	PART		#REQ
01	GROMMET A	17247-303-000	002
02	BATTERY ASSY.	31500-425-672	
		(replaces 31500-415-601)	
		(replaces 31500-415-671)	
		(replaces 31500-425-671)	
		(replaces 31500-425-677)	
		(replaces 31500-461-770)	
		(replaces 31500-461-771)	
		(replaces 31500-461-772)	001
03	TUBE	31502-MA1-000	001
04	CABLE	32601-MA1-000	001
05	BAND A, BATTERY	50327-ME2-000	001
06	BAND B	50328-ME2-000	001
07	GROMMET, A/CLNR HSG	83551-300-000	004
08	RUBBER, BATTERY BOX	83618-323-000	008
09	CVR, R. *R114CU*	83620-ME2-000ZA	
09	CVR, R. *NH125MU*	83620-ME2-000ZB	
10	CVR, L. *R114CU*	83720-ME2-000ZA	
10	CVR, L. *NH125MU*	83720-ME2-000ZB	
11	EMBLEM, SIDE COVER	87125-MA1-000	001
12	EMBLEM, L.	87137-MA1-000	001
13	LABEL	87506-MA1-670	001
14	NUT, SPEED (3MM)	90315-504-000	004
15	PIN, COTTER (3.0X45)	94201-30450	
		(replaces 94201-30400)	001
16	BOLT, FLANGE (6X10)	95700-06010-08	005
16	BOLT, FLANGE (6X10)	95701-06010-08	005

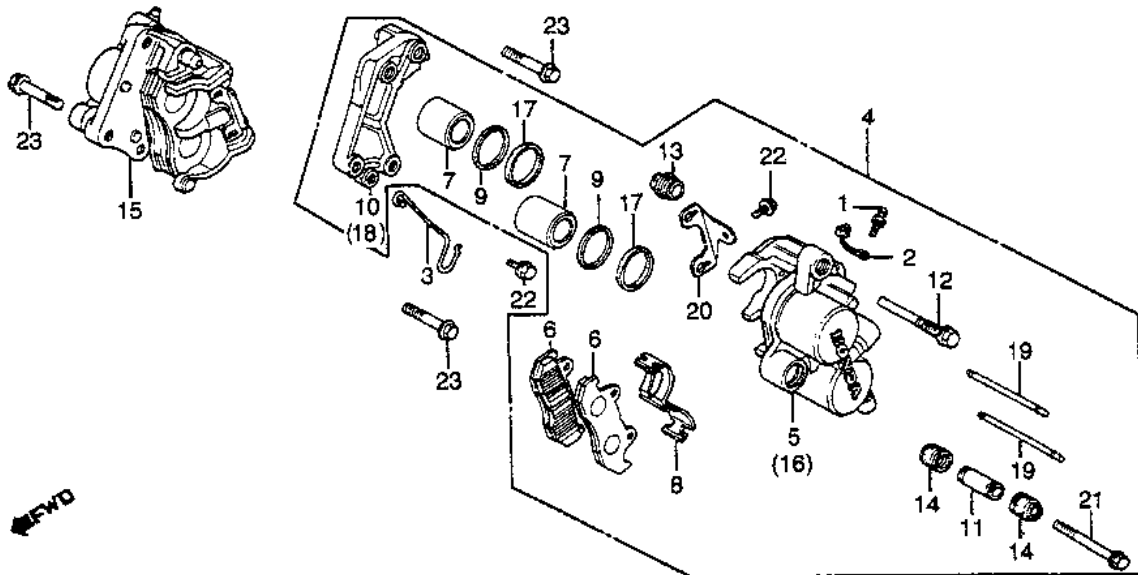
Block, Cylinder



REF#	PART		#REQ
01	BLOCK, CYLINDER	11100-ME2-000	001
02	SPACER, R. EMBLEM	11102-ME2-000	001
03	SPACER, L. EMBLEM	11103-ME2-000	001
04	EMBLEM, R.	11104-ME2-000	001
05	EMBLEM, L.	11105-ME2-000	001
06	HOLDER, TRANSMISSION	11131-MC7-000	001
07	ORIFICE (8MM)	11132-MC7-000	001
08	PLATE, TRANS HOLDER	11133-415-000	001
09	CAP, CRANKSHAFT	11140-ME2-000	001
10	JET, R. OIL	11146-ME2-000	001
11	SEPARATOR, OIL	11365-ME2-000	001
12	VALVE	12901-413-000	002
13	BEARING A, MAIN	13323-MC7-305	002
13	BEARING B, MAIN	13324-MC7-305	002
13	BEARING C, MAIN	13325-MC7-305	002
14	COLLAR, O-RING	15155-300-000	003
15	DIPSTICK, OIL	15650-MK7-670	
		(replaces 15650-449-000)	001
16	BOLT, FLANGE (6X20)	90003-MB2-000	
		(replaces 90003-MC7-000)	004
17	WASHER (12MM)	90461-357-000	002
18	O-RING (22X3.0)	91307-425-003	
		(replaces 91301-250-000)	001
19	O-RING (13.6X2.4)	91301-268-020	003
20	O-RING (8X1.7)	91306-HB3-003	
		(replaces 91303-001-000)	001
21	O-RING (8.2X1.5)	91308-MC7-000	001
22	BOLT, STUD (10X90)	92700-10090-0B	002
23	SCREW, OVAL (4X8)	93700-04008-0G	004
24	SCREW, TAPPING (4X8)	93901-34120	004
25	NUT, FLANGE (10MM)	94050-10000	002
26	PIN, DOWEL (8X14)	94301-08140	002
27	BOLT, FLANGE (6X12)	95701-06012-00	
		(replaces 95700-06012-00)	002
28	BOLT, FLANGE (6X16)	95701-06016-00	

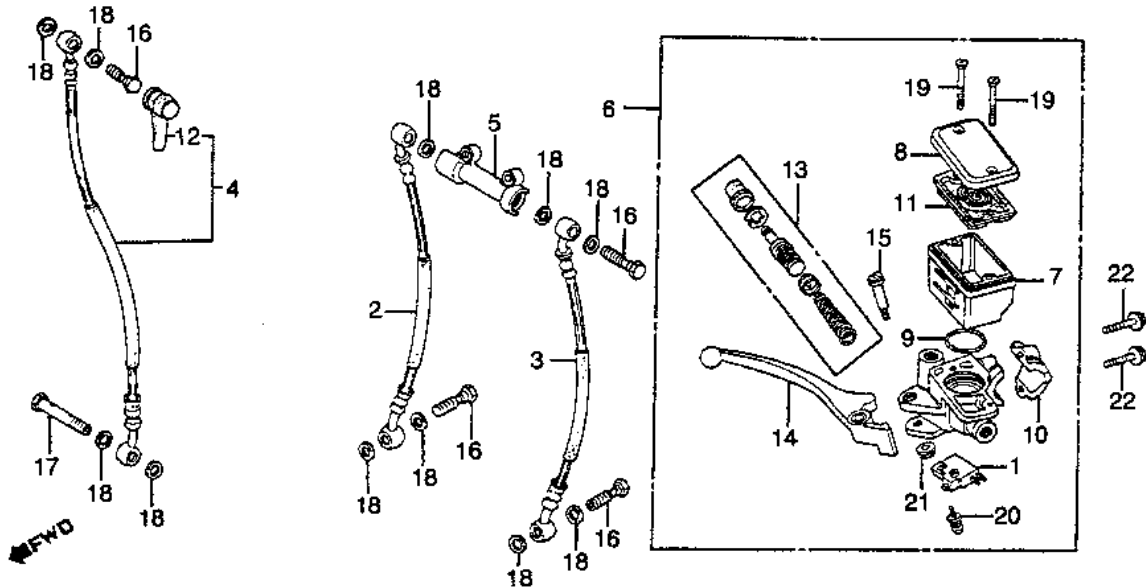
29 BOLT, FLANGE (6X32) (replaces 95700-06016-00) 003
95701-06032-00
(replaces 95700-06032-00) 002
30 BOLT, FLANGE (8X25) 95701-08025-00
(replaces 95700-08025-00) 007

Brake Calipers



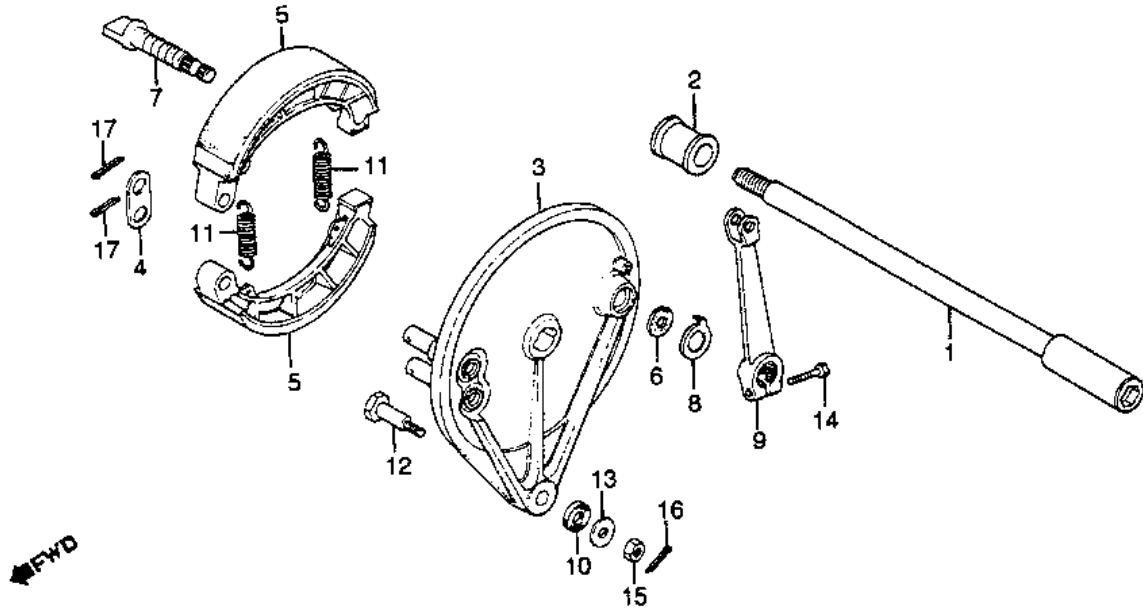
REF#	PART		#REQ
01	SCREW, BLEEDER	43352-568-003	002
02	CAP, BLEEDER	43353-461-771	002
03	CLAMP	44832-ME2-000	001
04	CALIPER, L. FR.	45100-ME2-006	
	(replaces	45100-ME2-007)	001
05	CALIPER, L.	45101-MA3-006	001
06	PAD	45105-KL8-014	
	(replaces	45105-KL8-004)	
	(replaces	45105-MC7-004)	
	(replaces	45105-MC7-007)	
	(replaces	45105-MC7-014)	004
07	PISTON	45107-MA3-006	004
08	SPRING, PAD	45108-MA3-006	002
09	DUST SEAL	45109-166-006	004
10	BRACKET, L. FR.	45110-445-632	001
11	SLEEVE	45111-MA3-006	002
12	PIN, BOLT	45131-MA3-006	002
13	BOOT B	45133-MA3-006	002
14	BOOT, PIN	45133-166-016	004
15	CALIPER, R. FR.	45200-MC5-006	
	(replaces	45200-MC5-007)	001
16	CALIPER, R.	45201-MA3-006	
	(replaces	45201-MC7-006)	001
17	SEAL, PISTON	45209-166-006	004
18	BRACKET, R. FR.	45210-445-632	001
19	PIN, HANGER	45215-MA3-006	004
20	PLATE	45217-MA3-006	002
21	BOLT, FLANGE (8X49)	90180-MA3-006	002
22	BOLT, FLANGE (6X10)	95701-06010-00	
	(replaces	95700-06010-00)	003
23	BOLT, FLANGE (10X40)	95800-10040-00	004
23	BOLT, FLANGE (10X40)	95801-10040-00	004
23	BOLT, FLANGE	95814-10040-00	
NI	BRAKE PAD KIT	451A0-MC7-670	002

Brake Lines, Front & Master Cylinder & Lever



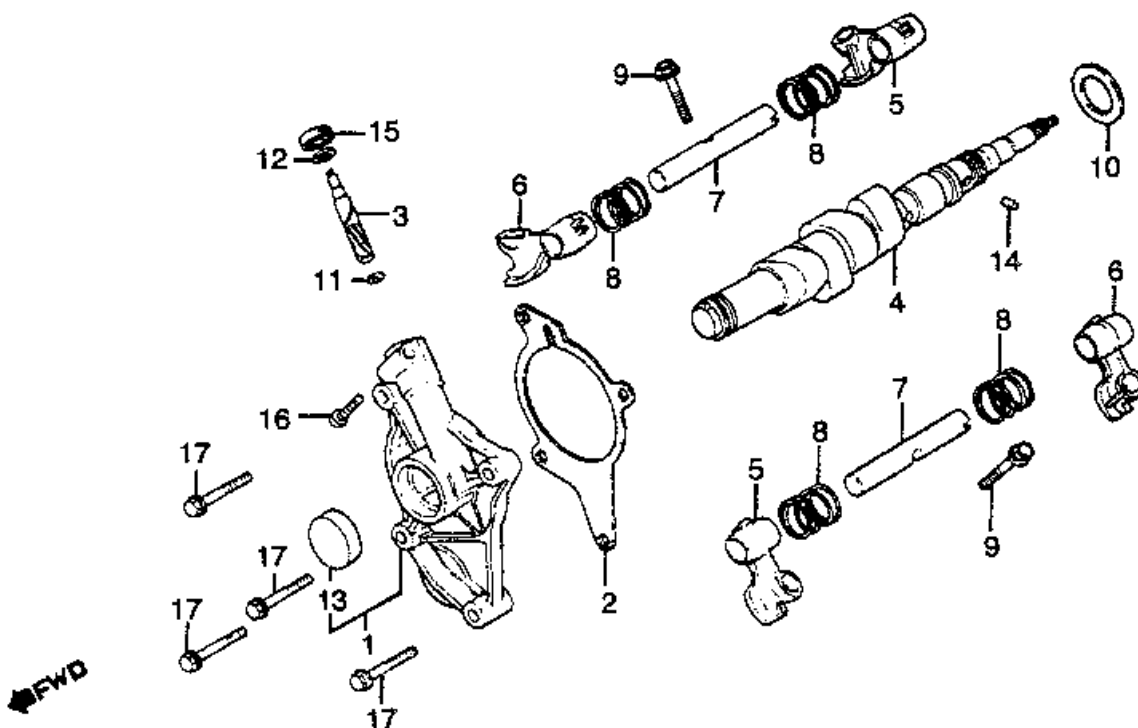
REF#	PART		#REQ
01	SWITCH, FR. STOP	35340-MA5-671	001
02	HOSE A, R. FR. BRAKE	45124-ME2-013	
	(replaces 45124-ME2-003)		001
03	HOSE A, L. FR. BRAKE	45125-ME2-013	
	(replaces 45125-ME2-003)		001
04	HOSE B, FR. BRAKE	45126-MA1-742	
	(replaces 45126-ME2-003)		
	(replaces 45126-ME2-013)		001
05	JOINT, TWO-WAY	45127-MA1-003	001
06	CYLINDER ASSY, MASTER	45500-MA5-672	001
07	CUP, OIL	45511-MA5-671	001
08	CAP, OIL CUP	45513-MA5-671	001
09	O-RING (26.7X2.4)	45516-166-006	001
10	HOLDER	45517-MA5-671	001
11	DIAPHRAGM	45520-MA5-672	
	(replaces 45520-MA5-671)		001
12	BOOT	45522-422-000	001
13	MASTER CYLINDER SET	45530-MA5-671	001
14	LEVER, R. HANDLEBAR	53175-MA5-671	001
15	BOLT, R.	90114-MA5-671	001
16	BOLT, OIL	90145-300-010	
	(replaces 90145-460-840)		004
17	BOLT, OIL	90147-460-840	001
18	WASHER, OIL BOLT	90545-300-000	011
19	SCREW, FLAT (4X45)	93600-04045-1G	002
20	SCREW-WASHER (4X12)	93893-04012-08	
	(replaces 93893-04012-18)		001
21	NUT, FLANGE (6MM)	94050-06000	001
22	BOLT, FLANGE (6X25)	96001-06025-07	
	(replaces 96000-06025-07)		002

Brake Panel, Rear & Rear Axle



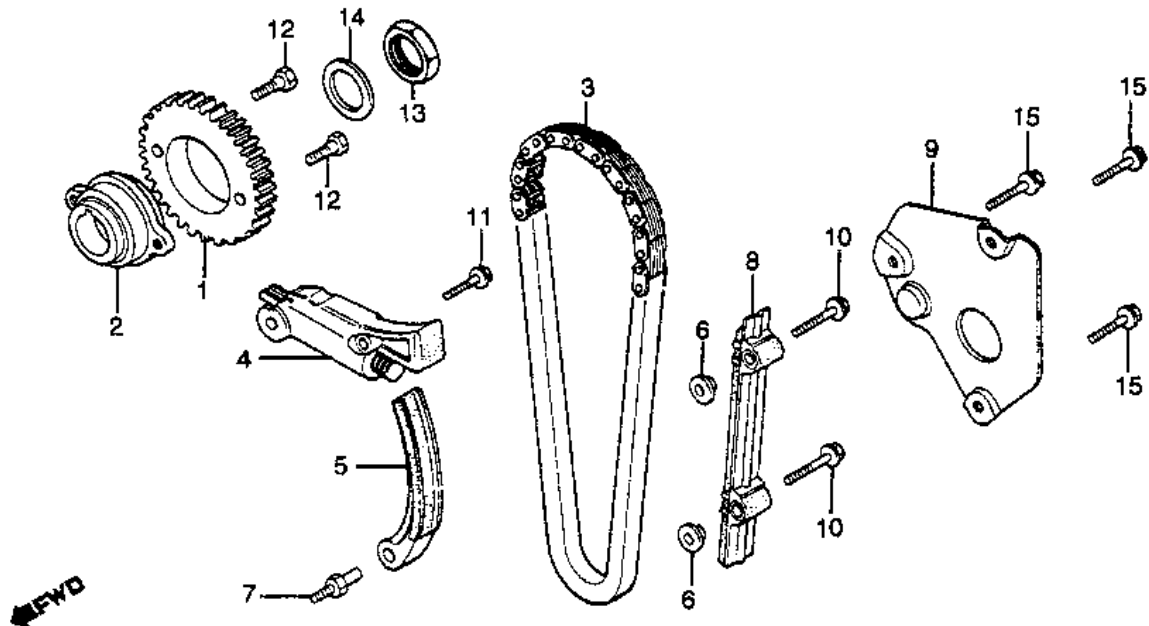
REF#	PART		#REQ
01	AXLE, RR. WHEEL	42301-MC7-000	001
02	COLR, RR. WHEEL SIDE	42311-216-000	001
03	PANEL, RR.	43100-ME2-000	001
04	WASHER, ANCHOR PIN	43102-319-000	
	(replaces 43106-222-300)		001
05	SHOE, BRAKE	43120-MW3-671	
	(replaces 43120-415-000)		002
06	DUST SEAL, BRAKE CAM	43134-300-000	001
07	CAM, RR. BRAKE	43141-ME2-000	001
08	INDICATOR, RR. BRAKE	43145-MA1-000	001
09	ARM, RR. BRAKE	43410-MA1-000	001
10	RUBBER	43434-286-000	001
11	SPRING, FR.	45133-329-000	002
12	BOLT, RR.	90127-393-000	001
13	WASHER A	90524-030-000	001
14	BOLT, HEX. (8X25)	92101-08025-0A	
	(replaces 92000-08025-0A)		001
15	NUT, HEX. (8MM)	94001-08000-0S	001
16	PIN, COTTER (2.0X35)	94201-20350	
	(replaces 94201-20180)		
	(replaces 94201-20200)		
	(replaces 94201-20250)		
	(replaces 94201-20280)		
	(replaces 94201-20320)		001
16	PIN, SPLIT (2.0X22)	94201-20220	001
16	PIN, COTTER (2.0X22)	94201-29220	001
17	PIN, COTTER (2.5MM)	94201-25300	
	(replaces 94201-25200)		
	(replaces 94201-25250)		002
NI	SHOE KIT, BRAKE	06430-MW3-671	
	(replaces 06430-415-000)		
	(replaces 431A2-415-000)		001

Camshaft & Rocker Arms & Tachometer Gear



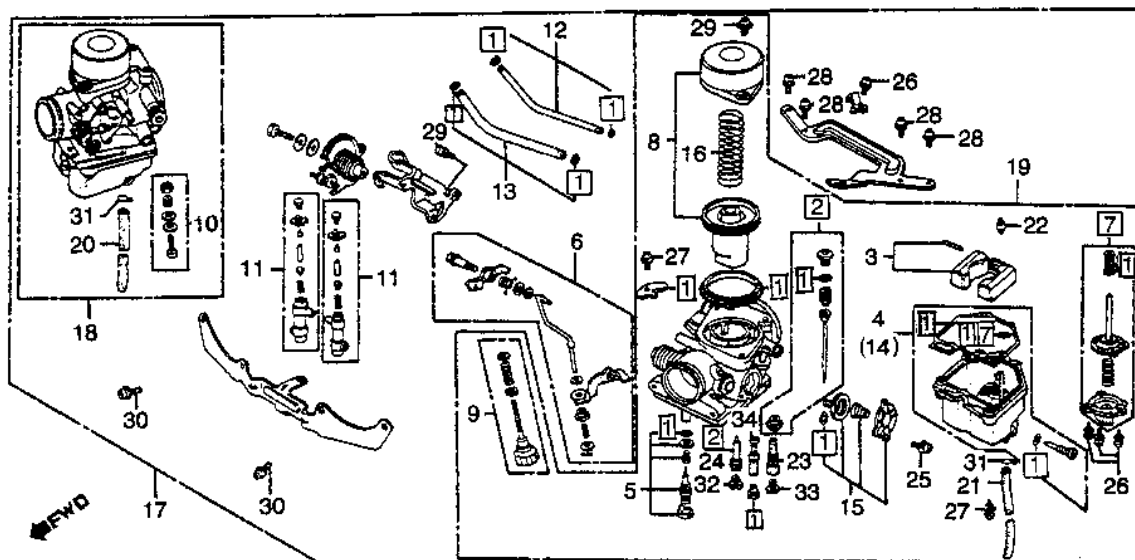
REF#	PART		#REQ
01	HOLDER, CAMSHAFT	12220-ME2-000	001
02	GASKET	12230-415-306	
		(replaces 12230-449-700)	001
03	GEAR, TACHOMETER	12431-415-010	001
04	CAMSHAFT	14100-ME2-000	001
05	ARM A, ROCKER	14441-415-010	002
06	ARM B, ROCKER	14442-415-010	002
07	SHAFT, ROCKER ARM	14451-ME7-000	
		(replaces 14451-415-000)	002
08	SPRING A	14453-415-000	004
09	BOLT, SPECIAL (6X30)	90008-415-000	002
10	WASHER (26MM)	90407-415-000	001
11	WASHER	90441-044-300	001
12	WASHER (6.7MM)	90458-324-000	001
13	COLLAR (28MM)	90702-ME2-000	001
14	ROLLER (5X8.5)	91105-415-000	001
15	OIL SEAL (6X14.5X5)	91211-415-003	
		(replaces 91211-415-004)	001
16	SCREW, PAN (5X20)	93500-05020-0G	001
17	BOLT, FLANGE (6X28)	96001-06028-00	
		(replaces 96000-06028-00)	004

Camshaft Chain & Tensioner



REF#	PART		#REQ
01	SPROCKET, CAM	14321-415-000	001
02	BOSS, CAM SPROCKET	14322-415-000	001
03	CHAIN, CAM	14401-MA1-013	001
04	TENSIONER, CAM CHAIN	14500-MC7-010	001
05	TENSIONER, CAM CHAIN	14511-ME2-000	001
06	COLLAR (6X14.7)	14515-428-000	002
07	PIN	14538-MC7-000	001
08	GUIDE, CAM CHAIN	14620-MC7-000	001
09	PLATE	14623-MC7-000	001
10	BOLT, HEX. (6X30)	90011-415-000	002
11	BOLT, FLANGE (8X32)	90015-MC7-000	001
12	BOLT (7X17)	90081-415-000	002
13	NUT, LOCK (20MM)	90241-MJ8-000	
		(replaces 90207-415-000)	001
14	WASHER, LOCK	90432-121-000	001
15	*95701-06016-08	95701-06016-00	
		(replaces 95700-06016-00)	003

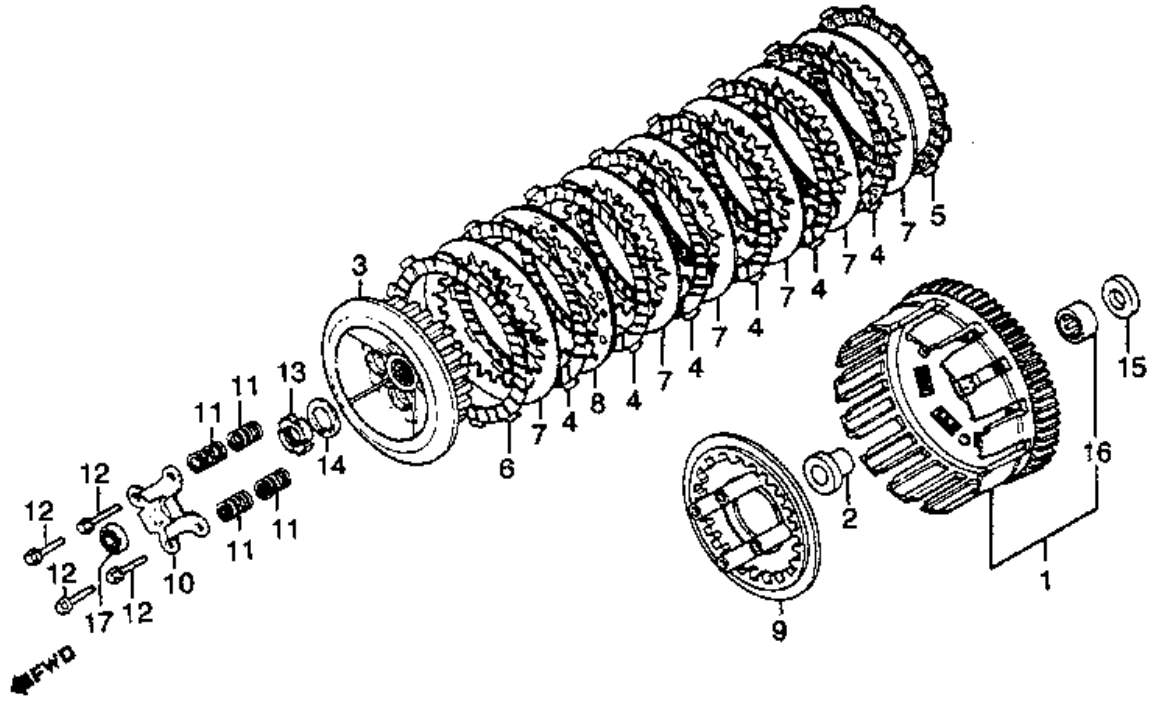
Carburetors



REF#	PART	#REQ
01	GASKET SET	16010-ME2-305
	(replaces 16010-ME2-671)	002
02	NEEDLE SET, JET	16012-ME2-671
03	FLOAT SET	16013-413-851
	(replaces 16013-413-751)	002
04	CHAMBER SET, FLOAT	16015-MC8-671
05	SCREW SET A	16016-KC2-970
	(replaces 16016-413-751)	002
06	ROD SET, PUMP	16019-ME2-671
07	DIAPHRAGM SET, PUMP	16021-ME2-671
08	PISTON SET, VACUUM	16022-449-771
	(replaces 16022-470-671)	002
09	SCREW SET B	16028-ME2-671
10	SCREW SET C	16029-PC6-005
	(replaces 16029-443-851)	001
11	HOLDER SET, ADJ.	16030-ME2-671
12	JOINT SET, FUEL	16034-ME2-671
13	JOINT SET, FUEL	16037-ME2-671
14	CHAMBER SET C, FLOAT	16045-425-871
	(replaces 16045-425-671)	001
15	VALVE SET, AIR CUT	16048-KB7-901
	(replaces 16048-KB7-004)	002
16	SPRING	16050-ME2-671
17	CARBURETOR ASSY.	16100-ME2-671
18	CARBURETOR ASSY., R.	16101-ME2-671
19	CARBURETOR ASSY., L.	16102-ME2-671
20	TUBE, OVERFLOW	16144-MA1-671
21	TUBE	16195-449-405
	(replaces 16144-413-751)	001
22	VALVE, FLOAT	16155-413-751
23	HOLDER, NEEDLE JET	16165-449-771
24	NOZZLE, MAIN	16166-ME2-671
25	SCREW-WASHER (4X10)	93892-04010-00
26	SCREW-WASHER (4X12)	93892-04012-00
27	SCREW-WASHER (4X16)	93892-04016-00
28	SCREW-WASHER (5X12)	93892-05012-00
29	SCREW-WASHER (5X16)	93892-05016-00
30	SCREW-WASHER (6X14)	93892-06014-00

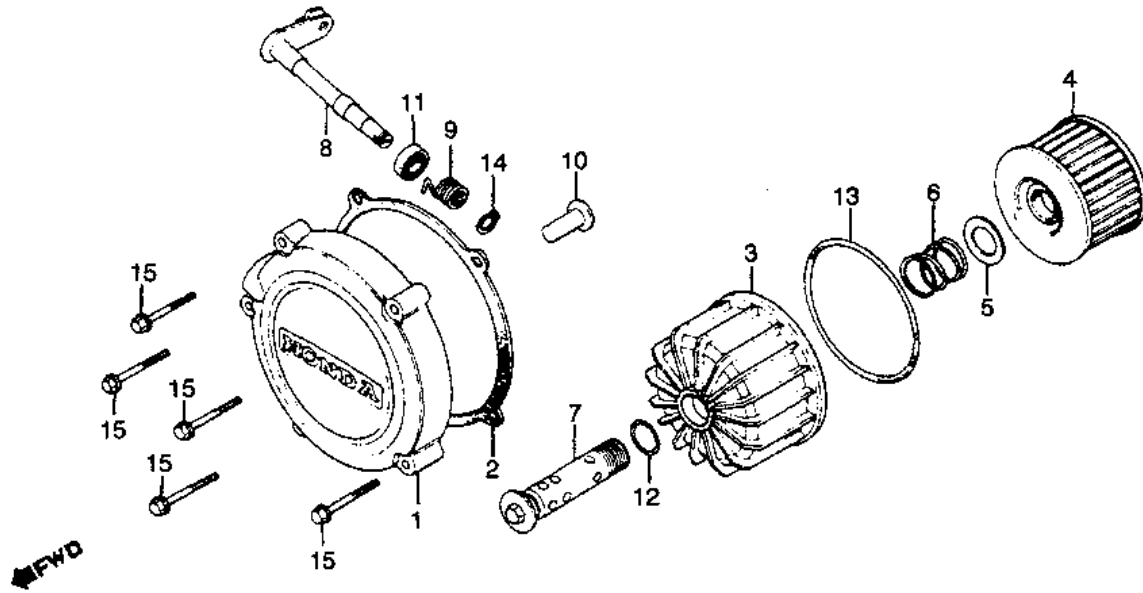
31	CLIP, TUBE (B6.5)	95002-02650	002
32	JET, MAIN (#78)	99101-GHB-0780	
		(replaces 99101-393-0780)	002
33	JET	99101-GHB-1180	
		(replaces 99101-393-1180)	002
33	JET	99101-GHB-1180	
		(replaces 99102-393-1180)	002
34	JET, SLOW (#45)	99103-MA1-0450	002

Clutch



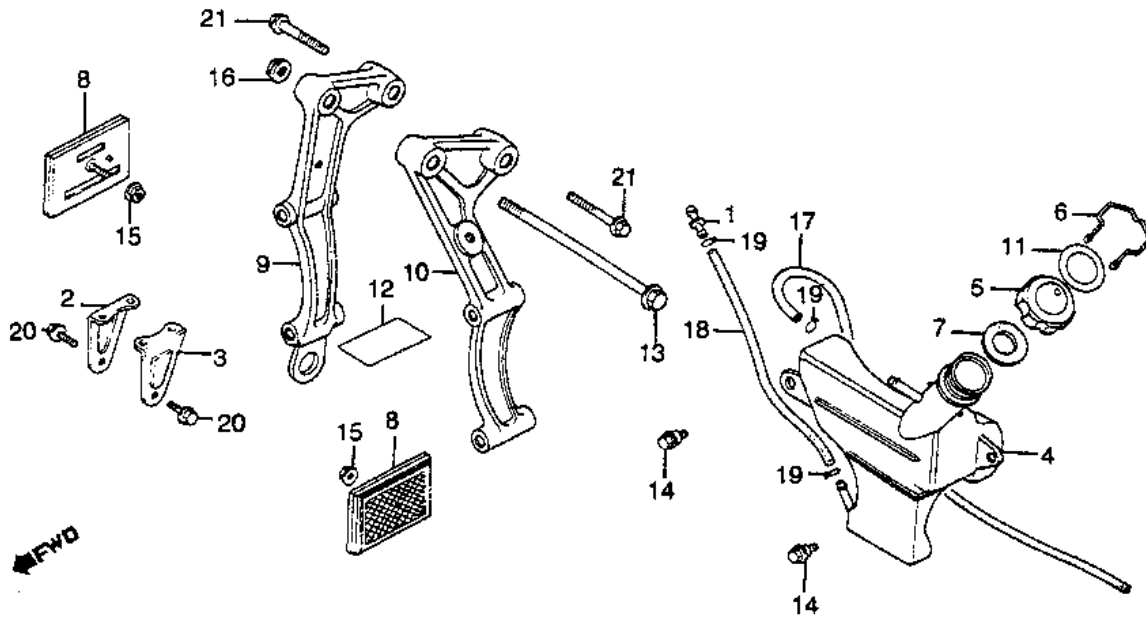
REF#	PART		#REQ
01	CLUTCH (OUTER)	22100-ME2-000	001
02	GUIDE, CLUTCH	22116-ME7-000	
		(replaces 22116-ME2-000)	001
03	CENTER, CLUTCH	22120-ME2-000	001
04	DISK, CL FRICTION	22201-415-306	
		(replaces 22201-415-000)	006
05	DISK, CL FRICTION	22201-286-010	001
06	DISK B, CL FRICTION	22202-392-000	
		(replaces 22202-390-000)	001
07	PLATE B, CLUTCH	22321-329-000	006
08	PLATE B, CLUTCH	22322-390-000	001
09	PLATE, CLU PRESS	22350-ME2-000	001
10	PLATE, CLUTCH LIFTER	22361-415-000	001
11	SPRING, CLUTCH	22401-ME2-000	004
12	BOLT (6X22)	90050-357-000	004
13	NUT, LOCK (20MM)	90204-426-000	001
14	WASHER, LOCK	90432-121-000	001
15	WASHER (25MM)	90453-ME2-000	001
16	BEARING (32X42X20)	91021-ME2-003	001
17	BEARING (6000)	96100-60000-00	001

Clutch Cover & Oil Filter



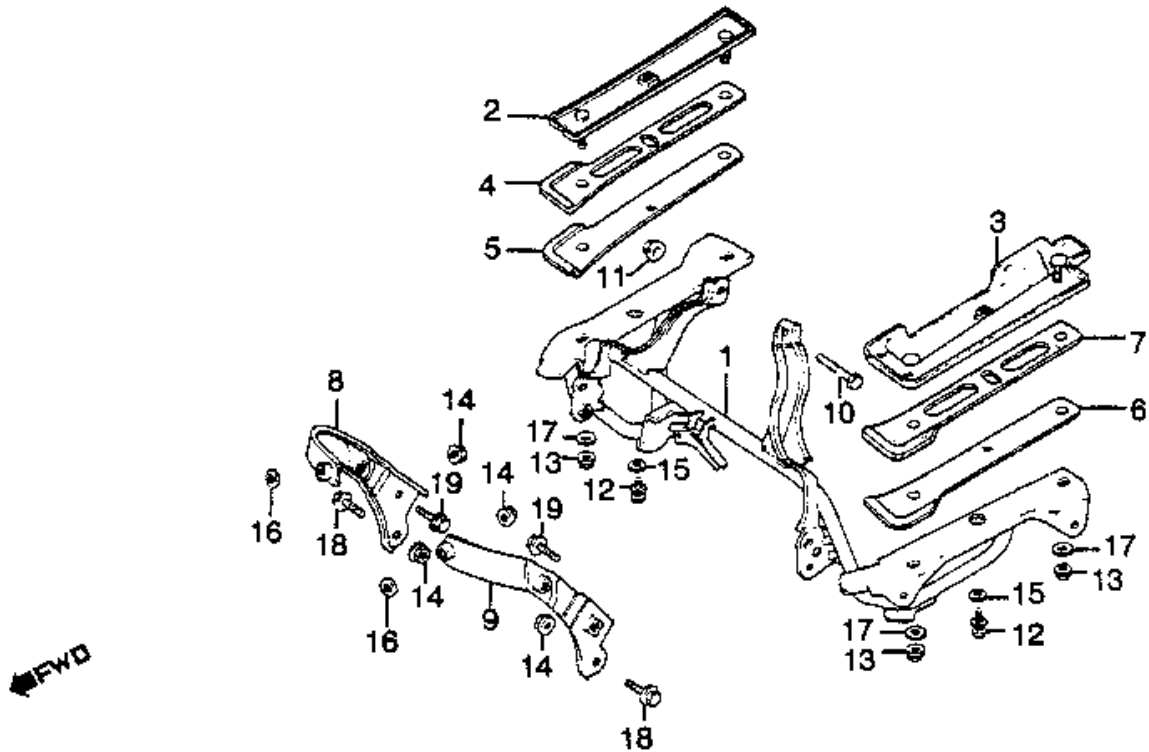
REF#	PART		#REQ
01	COVER, CLUTCH	11370-449-000	001
02	GASKET, CLUTCH COVER	11372-449-306	
	(replaces	11372-449-700)	001
03	CASE, OIL FILTER	15411-449-000	001
04	ELEMENT, OIL FILTER	154A1-413-005	
	(replaces	15412-413-005)	001
	(replaces	154A1-MA6-000)	001
05	SEAT	15414-300-000	001
06	SPRING	15415-413-000	001
07	BOLT	15420-MA6-000	
	(replaces	15420-415-000)	001
08	SHAFT, CLUTCH LEVER	22811-ME2-000	001
09	SPRING, CLUTCH LEVER	22815-413-000	001
10	ROD, CLUTCH LIFTER	22847-415-000	001
11	OIL SEAL (12X18X4)	91201-706-003	001
12	O-RING (15X2.5)	91302-377-000	001
13	O-RING (81X4.5)	91315-MA6-003	
	(replaces	91311-415-000)	001
14	CIRCLIP (10MM)	94510-10000	001
15	BOLT, FLANGE (6X28)	96001-06028-00	
	(replaces	96000-06028-00)	005

Coolant Reserve Tank & Engine Hangers



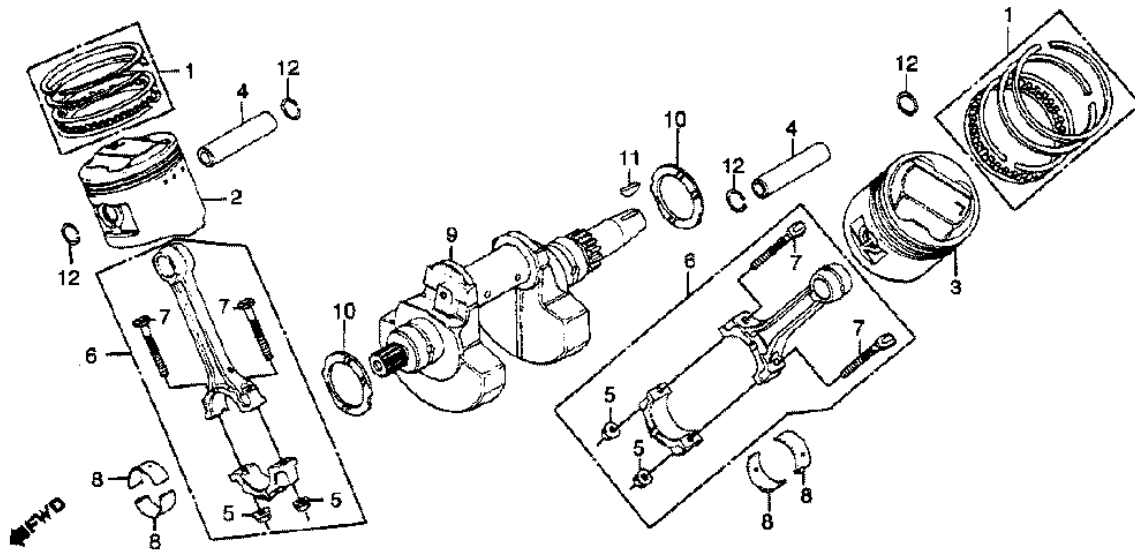
REF#	PART		#REQ
01	JOINT, BREATHER TUBE	17359-419-670	001
02	STAY, R.	19032-MA1-770	001
03	STAY, L.	19042-MA1-770	001
04	TANK, RESERVE	19103-MA1-000	001
05	CAP, RESERVE TANK	19104-415-000	001
06	CABLE, CAP LOCK	19105-415-000	001
07	GASKET, RESERVE TANK	19106-415-000	001
09	BRKT, R. FR. ENG HGR	50310-ME2-000	001
10	BRKT, L. FR. ENG HGR	50320-ME2-000	001
11	LABEL, RESERVE TANK	87507-415-670	001
13	BOLT, FLG (12X225)	90111-MA1-000	001
14	BOLT, FLANGE (6MM)	90111-162-000	002
16	NUT, FLANGE (12MM)	94050-12000	001
17	BULK HOSE (7.5X8000)	95001-75008-60M	001
18	BULK HOSE (7.5X8000)	95001-75008-60M	001
19	CLIP, TUBE (B12)	95002-02120	003
20	BOLT, FLANGE (6X10)	95701-06010-00	
	(replaces	95700-06010-00)	002
21	BOLT, FLANGE (10X40)	95800-10040-00	002
21	BOLT, FLANGE (10X40)	95801-10040-00	002
21	BOLT, FLANGE	95814-10040-00	002

Cowl Stay (Fairing Mount)



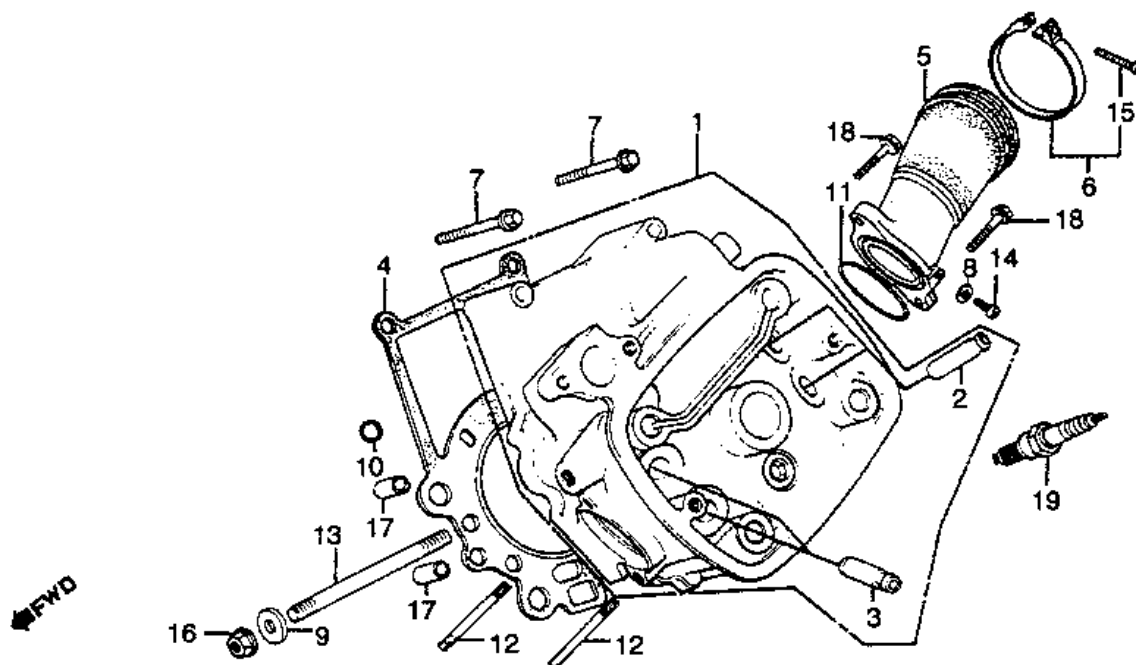
REF#	PART		#REQ
01	STAY, COWL	64510-ME2-770	001
02	PLATE, R. COWL NUT	64511-ME2-770	001
03	PLATE, L. COWL NUT	64512-ME2-770	001
04	RUBBER A, R.	64515-ME2-770	001
05	PLATE, R. COWL	64517-ME2-770	001
06	PLATE, L. COWL	64518-ME2-770	001
07	RUBBER A, L.	64519-ME2-770	001
08	STAY, R. FR. COWL	64540-ME2-770	
	(replaces 64520-ME2-770)		001
09	STAY, L. FR. COWL	64550-ME2-770	
	(replaces 64530-ME2-770)		001
10	BOLT, FLANGE (8X92)	90152-ME2-000	001
11	NUT, HEX. (8MM)	90309-357-000	001
12	SCREW-WASHER (4X12)	93891-04012-00	002
13	NUT, FLANGE (6MM)	94050-06000	004
14	NUT, FLANGE (6MM)	94050-06080	008
15	WASHER, PLAIN (4MM)	94101-04000	002
16	WASHER, PLAIN (6MM)	94103-06700	004
17	WASHER, PLAIN (6MM)	94103-06800	004
18	BOLT, FLANGE (6X12)	95700-06012-08	002
18	BOLT, FLANGE (6X12)	95701-06012-08	002
19	BOLT, FLANGE (6X16)	95701-06016-08	
	(replaces 95700-06016-08)		002

Crankshaft & Pistons



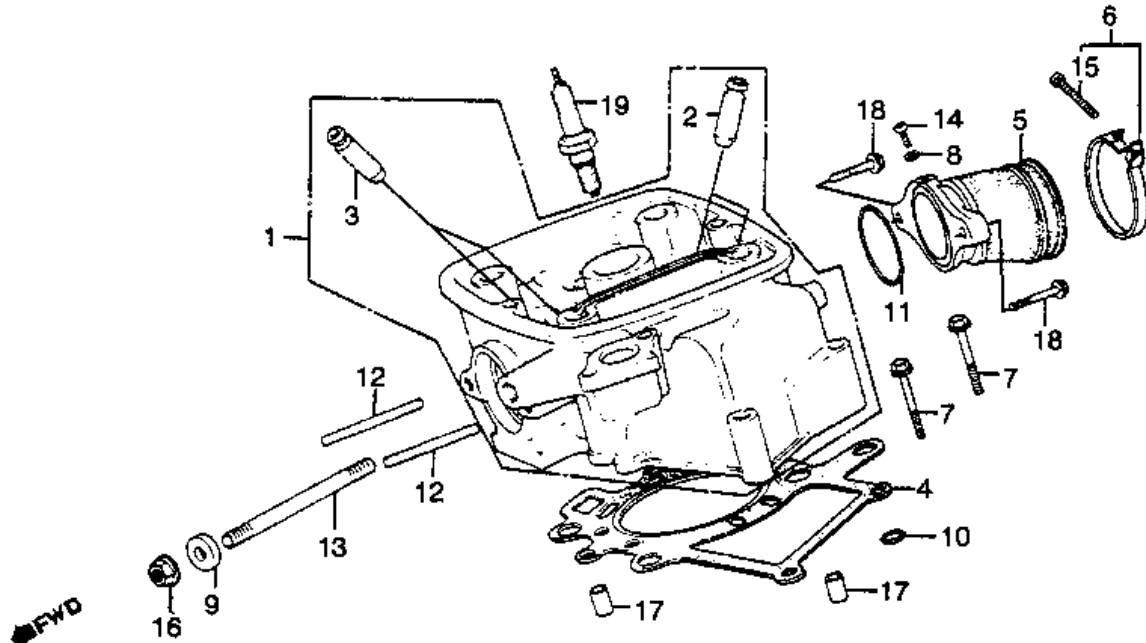
REF#	PART		#REQ
01	RING SET (STD)	13011-ME2-004	002
01	RING SET (OS 0.25)	13021-ME2-004	002
01	RING SET (OS 0.50)	13031-ME2-004	002
02	PISTON, R. (STD)	13101-ME2-000	001
02	PISTON, R. (0.25)	13103-ME2-000	001
02	PISTON, R. (0.50)	13105-ME2-000	001
03	PISTON, L. (STD)	13102-ME2-000	001
03	PISTON, L. (0.25)	13104-ME2-000	001
03	PISTON, L. (OS 0.50)	13106-ME2-000	001
04	PIN, PISTON	13111-ME2-000	002
05	NUT, CONNECTING ROD	13205-ME2-000	004
06	ROD, CONNECTING	13210-ME2-000	002
07	BOLT, CONNECTING ROD	13213-ME2-000	004
08	BEARING B, CONN ROD	13216-ME2-003	004
08	BEARING C, CONN ROD	13217-ME2-003	004
08	BEARING D, CONN ROD	13218-ME2-003	004
08	BEARING E, CONN ROD	13219-ME2-003	004
08	BEARING F, CONN ROD	13220-ME2-003	004
09	CRANKSHAFT	13300-ME2-000	001
10	WASHER, CRANK SIDE	13326-ME2-003	002
11	KEY (25X18)	13331-357-000	001
12	CLIP (21MM)	94601-21000	004

Cylinder Head, Left



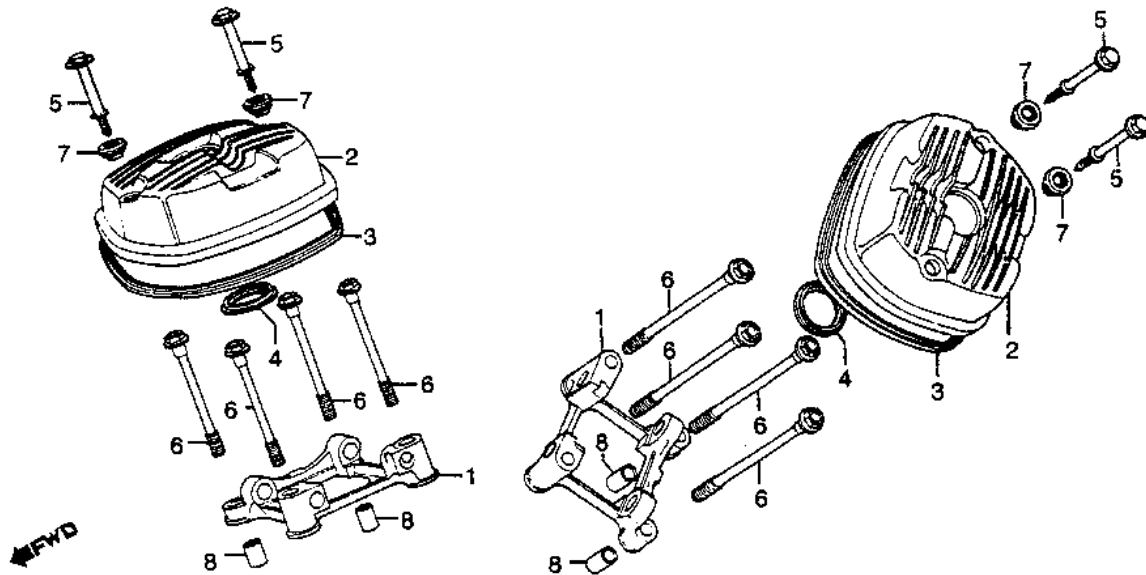
REF#	PART		#REQ
01	CYLINDER HEAD, L.	12210-ME2-000	001
02	GUIDE, IN VALVE	12233-MG8-405	
	(replaces	12231-415-305)	002
03	GUIDE, EX. VALVE	12241-415-305	002
04	GASKET, CYL HD	12251-ME2-405	
	(replaces	12251-ME2-000)	001
05	INSULATOR, L. CARB	16221-ME2-000	001
06	BAND (56)	95018-56200	
	(replaces	17255-356-000)	
	(replaces	90651-GHB-710)	001
07	BOLT, FLANGE (8X55)	90068-415-000	
	(replaces	90068-ME2-000)	002
08	WASHER (5MM)	90452-323-000	001
09	WASHER (10X24)	90516-187-000	
	(replaces	90455-MA1-000)	001
10	O-RING (6.9X1.5)	91302-044-013	001
11	O-RING (40X2.4)	91325-413-830	
	(replaces	91325-567-005)	001
12	BOLT, STUD (6X55)	92700-06055-0B	002
13	BOLT, STUD (10X80)	92900-10080-0B	
	(replaces	92700-10100)	001
14	SCREW, PAN (5X8)	93500-05008-0A	001
15	SCREW, PAN (5X20)	93500-05020-0G	001
16	NUT, FLANGE (10MM)	94050-10000	001
17	PIN, DOWEL (8X14)	94301-08140	002
18	BOLT, FLANGE (6X22)	96001-06022-00	
	(replaces	96000-06022-00)	002
19	S/PLG (DPR8EA-9)	98069-58916	001
19	S/PLG (DPR9EA-9)	98069-59916	001
19	S/PLG (X24EPR-U9)	98069-58926	001
19	S/PLG (X27EPR-U9)	98069-59926	001

Cylinder Head, Right



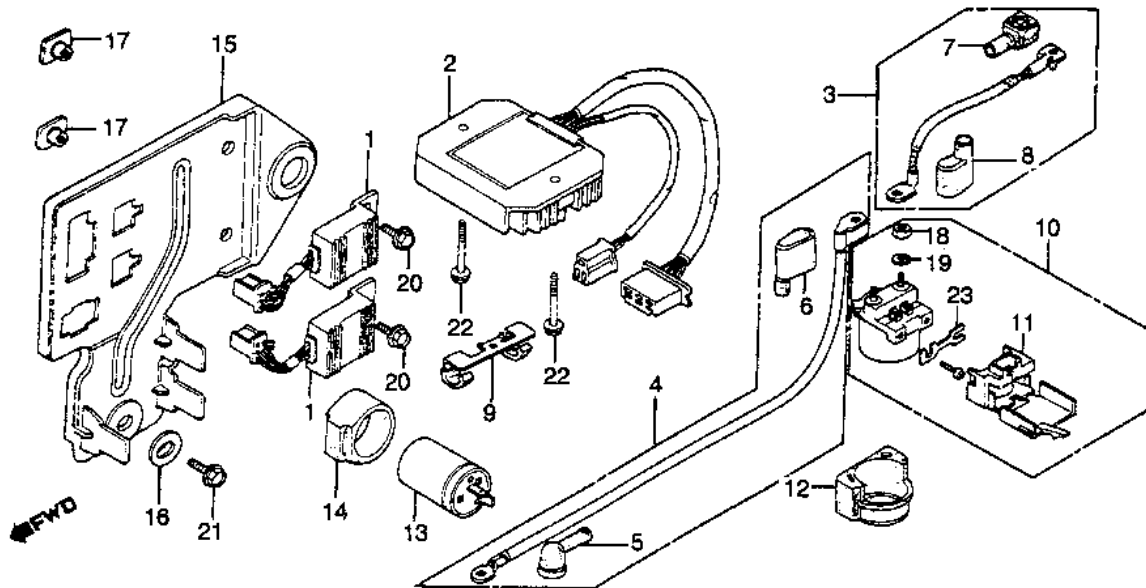
REF#	PART		#REQ
01	CYLINDER HEAD, R.	12200-ME2-000	001
02	GUIDE, IN VALVE	12233-MG8-405	
	(replaces	12231-415-305)	002
03	GUIDE, IN VALVE	12233-MG8-405	002
03	GUIDE, EX. VALVE	12241-415-305	002
04	GASKET, CYL HD	12251-ME2-405	
	(replaces	12251-ME2-000)	001
05	INSULATOR, R. CARB	16211-ME2-000	001
06	BAND (56)	95018-56200	
	(replaces	17255-356-000)	
	(replaces	90651-GHB-710)	001
07	BOLT, FLANGE (8X55)	90068-415-000	
	(replaces	90068-ME2-000)	002
08	WASHER (5MM)	90452-323-000	001
09	WASHER (10X24)	90516-187-000	
	(replaces	90455-MA1-000)	001
10	O-RING (6.9X1.5)	91302-044-013	001
11	O-RING (40X2.4)	91325-413-830	
	(replaces	91325-567-005)	001
12	BOLT, STUD (6X55)	92700-06055-0B	002
13	BOLT, STUD (10X80)	92900-10080-0B	
	(replaces	92700-10100)	001
14	SCREW, PAN (5X8)	93500-05008-0A	001
15	SCREW, PAN (5X20)	93500-05020-0G	001
16	NUT, FLANGE (10MM)	94050-10000	001
17	PIN, DOWEL (8X14)	94301-08140	002
18	BOLT, FLANGE (6X22)	96001-06022-00	
	(replaces	96000-06022-00)	002
19	S/PLG (DPR8EA-9)	98069-58916	001
19	S/PLG (DPR9EA-9)	98069-59916	001
19	S/PLG (X24EPR-U9)	98069-58926	001
19	S/PLG (X27EPR-U9)	98069-59926	001

Cylinder Head Covers



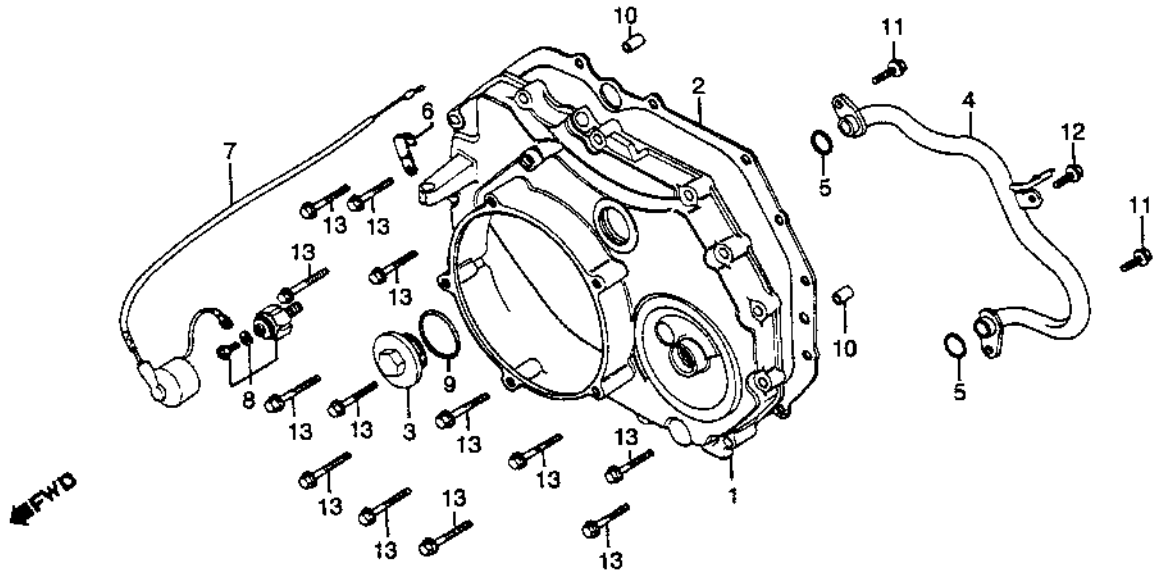
REF#	PART		#REQ
01	HOLDER	12215-ME7-000	
		(replaces 12215-415-000)	002
02	COVER, CYLINDER HEAD	12311-ME2-000	002
03	GASKET, HEAD COVER	12328-415-000	002
04	GASKET, PLUG HOLE	12329-415-000	002
05	BOLT, SPECIAL (6X60)	90016-MC7-000	004
06	BOLT, FLG (12X150)	90021-415-000	008
07	RUBBER, SETTING	90541-371-000	004
08	PIN, DOWEL (14X20)	94301-14200	004

Electrical Plate & Modules



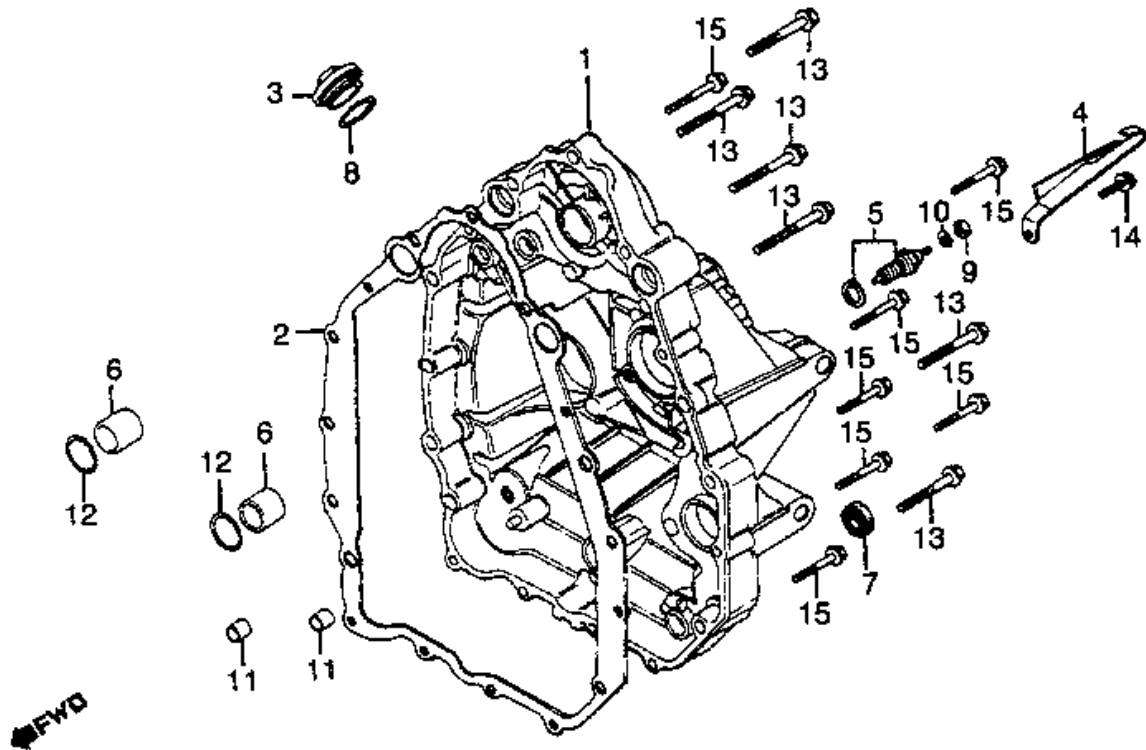
REF#	PART		#REQ
01	MODULE, IGN CONT	30400-MA4-601	
		(replaces 30400-MA1-155)	002
02	RECTIFIER, REGULATOR	31600-MA1-008	001
03	CABLE	32401-MA1-730	001
04	CABLE, STARTER MOTOR	32410-ME2-000	001
05	COVER	32411-230-000	
		(replaces 32411-253-000)	001
06	COVER	32412-ME2-000	001
07	COVER, TERMINAL	32414-MA1-730	001
08	COVER B	32416-460-000	001
09	CLIP, CABLE	32900-MC5-000	001
10	SWITCH ASSY.	35850-MB0-007	001
11	COVER, FUSE	35852-MB0-007	001
12	RUB, SHOCK ABSORBER	35856-MB0-007	001
13	RELAY ASSY., WINKER	38300-415-P00	
		(replaces 38300-415-004)	
		(replaces 38300-415-671)	
		(replaces 38301-415-004)	001
14	SUSPENSION	38306-KB4-010	
		(replaces 38306-438-000)	001
15	PLATE, ELECTRIC	50340-MA1-000	001
16	COLLAR, DISTANCE	66181-706-000	001
17	NUT, SPECIAL (6X7)	61304-958-003	
		(replaces 90301-471-000)	002
18	NUT, HEX. (6MM)	94002-06000-0S	
		(replaces 94002-06000)	002
19	WASHER, SPRING (6MM)	94111-06800	002
20	BOLT, FLANGE (6X12)	95700-06012-08	002
20	BOLT, FLANGE (6X12)	95701-06012-08	002
21	BOLT, FLANGE (6X16)	95701-06016-08	
		(replaces 95700-06016-08)	001
22	BOLT, FLANGE (6X35)	95701-06035-07	
		(replaces 95700-06035-07)	002
23	FUSE F (30A)	98200-53000	002

Engine Cover, Front (Transmission Cover)



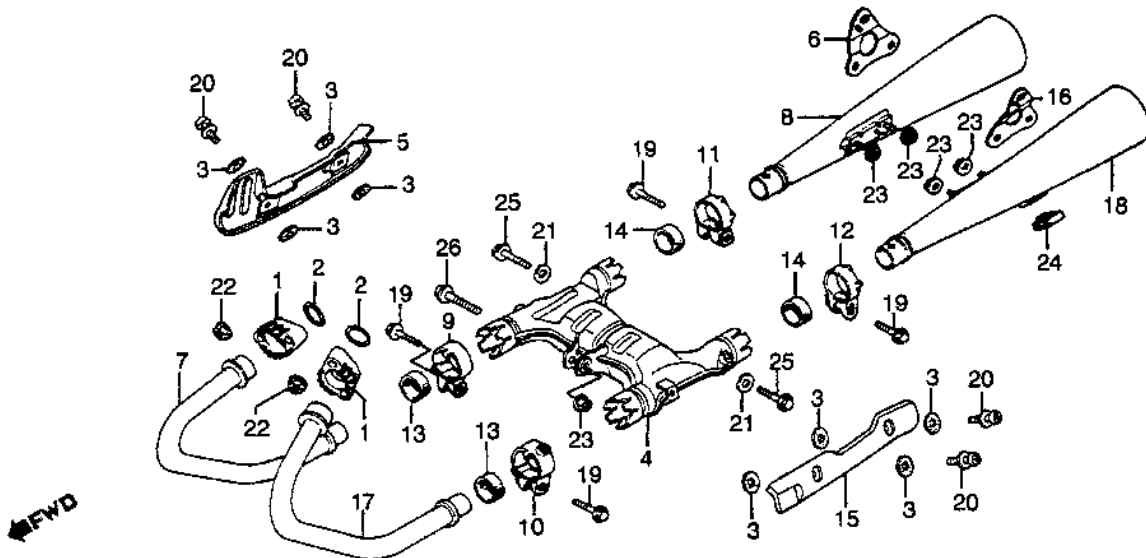
REF#	PART		#REQ
01	COVER, TRANSMISSION	11360-ME2-000	001
02	GASKET, TRANS CVR	11391-ME2-306	
		(replaces 11391-ME2-000)	001
03	CAP	12363-MC7-000	001
04	PIPE, OIL PASSAGE	15142-ME2-000	001
05	O-RING (11.8X2.4)	91302-ZE9-003	
		(replaces 16997-357-003)	
		(replaces 91302-ZE9-000)	
		(replaces 91320-HA5-000)	
		(replaces 91320-HA5-003)	002
05	O-RING (11.8X2.4)	91320-MJ6-003	002
06	CLAMP, CABLE	32111-323-000	001
07	SUB-WIRE	32103-KAZ-000	
		(replaces 32117-MA1-730)	001
08	SWITCH, OIL PRESSURE	35500-MJ4-024	
		(replaces 35500-MB9-004)	
		(replaces 35500-MJ0-004)	
		(replaces 35500-MJ4-004)	
		(replaces 35500-MJ4-014)	001
09	O-RING (27.5X2.6)	91302-001-710	
		(replaces 91302-001-000)	001
10	PIN, DOWEL (8X14)	94301-08140	002
11	BOLT, FLANGE (6X14)	95701-06014-00	
		(replaces 95700-06014-00)	002
12	BOLT, FLANGE (6X14)	96001-06014-00	
		(replaces 96000-06014-00)	001
13	BOLT, FLANGE (6X28)	96001-06028-00	
		(replaces 96000-06028-00)	013

Engine Cover, Rear



REF#	PART		#REQ
01	COVER, RR.	11310-ME2-000	001
02	GASKET, RR. COVER	11394-449-306	
		(replaces 11394-449-701)	001
03	CAP	12363-MC7-000	001
04	GUIDE, NEUTRAL CABLE	31140-415-000	001
05	SWITCH, NEUTRAL	35600-413-023	
		(replaces 35600-413-003)	
		(replaces 35600-413-013)	001
06	COLLAR (22.2MM)	90701-415-000	002
07	OIL SEAL (14X26X6)	91251-ZW5-003	
		(replaces 91201-023-020)	
		(replaces 91203-023-020)	001
08	O-RING (27.5X2.6)	91302-001-710	
		(replaces 91302-001-000)	001
09	NUT, HEX. (4MM)	94001-04000-0S	001
10	WASHER, SPRING (4MM)	94111-04800	001
11	PIN, DOWEL (10X16)	94301-10160	002
12	O-RING (23X2.8)	94608-50000	002
13	BOLT, FLANGE (8X40)	95701-08040-00	
		(replaces 95700-08040-00)	006
14	BOLT, FLANGE (6X14)	96001-06014-00	
		(replaces 96000-06014-00)	001
15	BOLT, FLANGE (6X32)	96001-06032-00	
		(replaces 96000-06032-00)	007

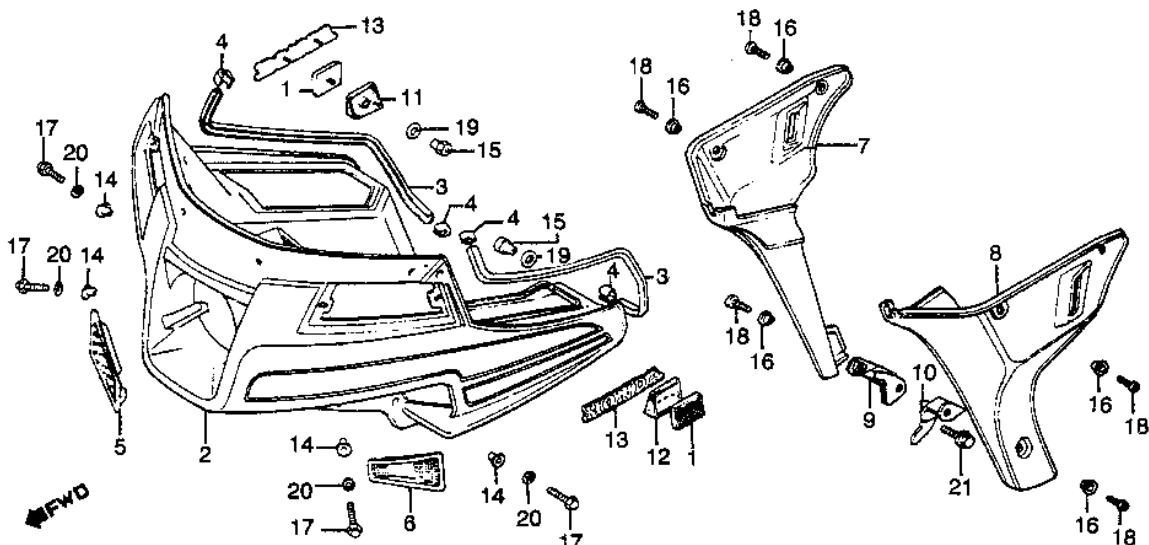
Exhaust System



REF#	PART		#REQ
01	JOINT, EX. PIPE	18231-415-000	002
02	GASKET, EX. PIPE	18291-286-306	
		(replaces 18291-286-000)	002
03	GASKET, PROTECTOR	18292-MM9-740	
		(replaces 18292-415-000)	
		(replaces 18292-KF9-900)	008
04	MUFFLER, PRE	18310-MG0-003	
		(replaces 18310-ME2-003)	
		(replaces 18310-ME2-610)	001
05	PROTR, R. CHAMBER	18315-MA1-003	001
06	BRACKET, R. MUFFLER	18318-ME2-000	
		(replaces 18318-ME2-003)	001
07	PIPE, R. EX.	18320-ME2-610	
		(replaces 18320-ME2-003)	001
08	MUFFLER	18330-ME2-405	
		(replaces 18330-ME2-000)	
		(replaces 18330-ME2-007)	001
09	BAND, R. FR. MUFFLER	18373-415-000	001
10	BAND, L. FR. MUFFLER	18374-415-000	
		(replaces 18374-MA1-003)	001
11	BAND, R. RR. MUFFLER	18375-413-000	001
12	BAND, L. RR. MUFFLER	18376-413-000	001
13	GASKET, MUFFLER	18392-MK4-000	
		(replaces 18391-317-000)	
		(replaces 18391-317-010)	002
14	GASKET, RR. MUFFLER	18392-MG7-750	
		(replaces 18392-413-000)	002
15	PROTR, L. CHAMBER	18415-MA1-003	001
16	BRACKET, L. MUFFLER	18418-ME2-000	
		(replaces 18418-ME2-003)	001
17	PIPE, L. EX.	18420-ME2-610	
		(replaces 18420-ME2-003)	001
18	MUFFLER	18430-ME2-405	
		(replaces 18430-ME2-000)	
		(replaces 18430-ME2-007)	001
19	BOLT, FLANGE (8X37)	90118-471-000	004
20	SCREW-WASHER	90136-415-750	004
21	WASHER, LOCK	90401-MA1-000	002

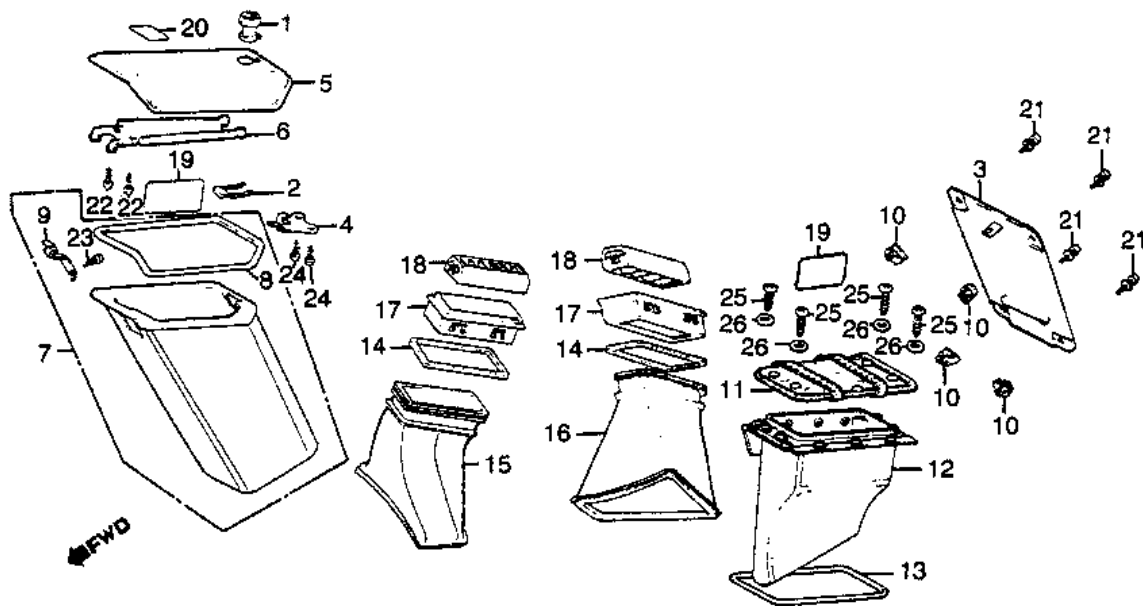
22	NUT, FLANGE (6MM)	94050-06000	004
23	NUT, FLANGE (8MM)	94050-08080	005
24	RUBBER D	95011-64000	001
25	BOLT, FLANGE (8X20)	95701-08020-08	
		(replaces 95700-08020-08)	
		(replaces 95701-08020-18)	002
26	BOLT, FLANGE (8X40)	95701-08040-08	
		(replaces 95700-08040-08)	001

Fairing



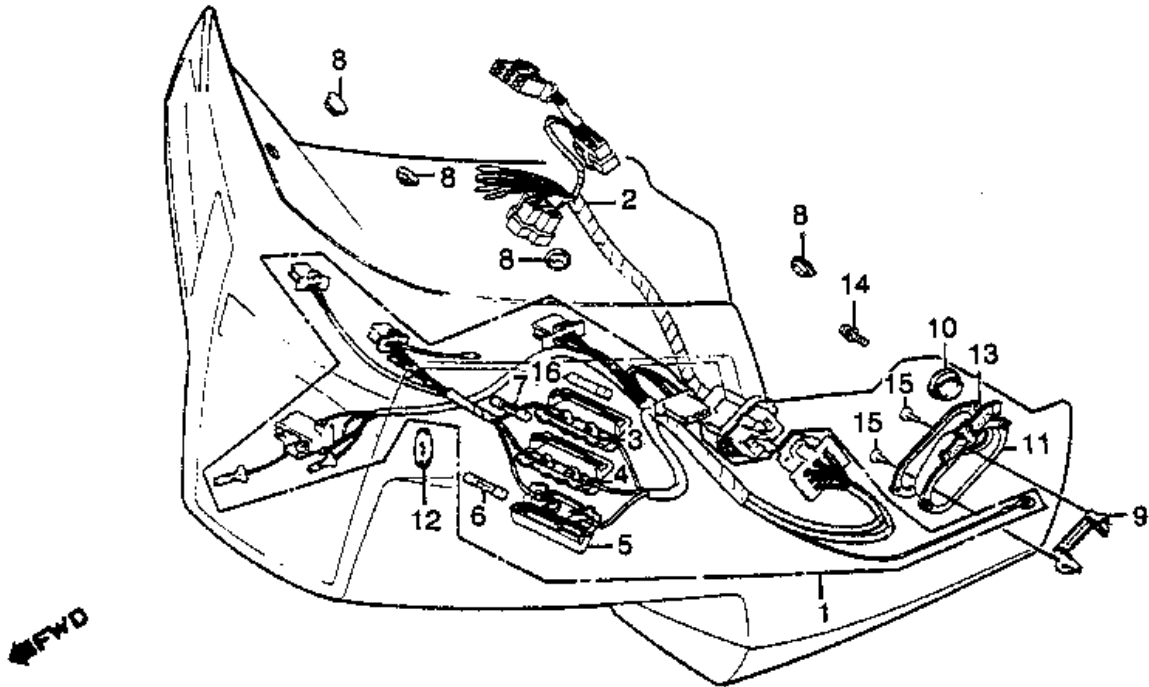
REF#	PART		#REQ
01	REFLECTOR, FR.	33741-449-000	002
02	FAIRING *R114CU*	64200-ME2-770ZA	001
02	FAIRING *NH125MU*	64200-ME2-770ZB	001
03	MOLDING, COWL TRIM	64205-463-770	002
04	CAP, MOLDING END	64207-MA1-610	004
05	COVER, R. AIR DUCT	64278-463-771	
	(replaces	64278-463-770)	001
06	COVER, L. AIR DUCT	64279-463-771	
	(replaces	64279-463-770)	001
07	COWL, R. *R114CU*	64280-MA1-770ZD	001
07	COWL, R. *NH125MU*	64280-MA1-770ZE	001
08	COWL, L. *R114CU*	64290-MA1-770ZD	001
08	COWL, L. *NH125MU*	64290-MA1-770ZE	001
09	STAY, R. (LOWER)	64330-ME2-770	001
10	STAY, L. (LOWER)	64340-ME2-770	001
11	BASE, R. FR.	64520-463-770	001
12	BASE, L. FR.	64530-463-770	001
13	EMBLEM, FAIRING SIDE	87109-463-770	002
13	EMBLEM, L.	87109-MB9-770	002
14	COLLAR, COWL SETTING	90120-463-770	004
15	NUT, SPECIAL (6MM)	90201-463-770	002
16	COLLAR	90522-170-700	006
17	BOLT, CAP (6X35)	92500-06035-0G	004
18	SCREW, PAN (6X16)	93500-06016-0G	006
19	WASHER (10.5X22X1.6)	94101-10800	002
20	WASHER, SPRING (6MM)	94111-06700	004
21	BOLT, FLANGE (6X10)	95701-06010-00	
	(replaces	95700-06010-00)	002

Fairing Pockets & Air Ducts



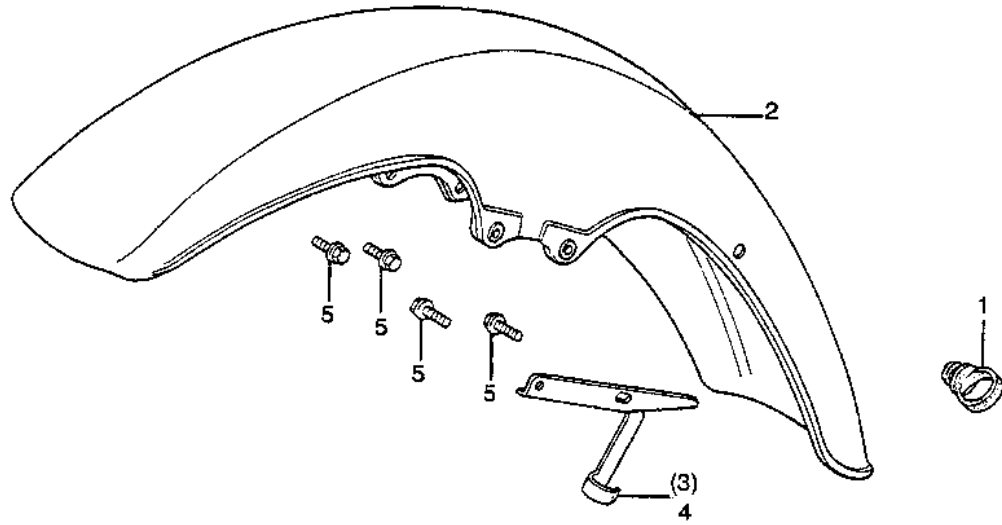
REF#	PART		#REQ
01	LOCK, FILLER LID	37220-439-007	001
02	SPRING	37222-463-000	001
03	PLATE, RADIO HOLDER	64231-463-770	001
04	PLATE, R.	64233-463-770	001
05	COVER, R. POCKET	64236-463-770	001
06	STAY, R.	64237-463-770	001
07	POCKET, R.	64238-463-770	001
08	RUB, R. POCKET SEAL	64239-463-770	001
09	PLATE, POCKET MOUNT	64240-463-770	001
10	NUT, PLATE	64241-463-770	004
11	COVER, L. POCKET	64245-MB9-770	001
12	POCKET, L.	64246-463-771	001
13	RUB, L. POCKET SEAL	64249-463-770	001
14	GASKET, AIR DUCT	64274-463-770	002
15	TUBE, R. AIR DUCT	64275-463-770	001
16	TUBE, L. AIR DUCT	64276-463-770	001
17	DUCT, AIR	64277-463-770	002
18	OUTLET, FRESH AIR	64490-463-770	002
19	LABEL	87523-ME2-770	002
20	LABEL, R.	87524-463-770	001
21	SCREW-WASHER (5X16)	93891-05016-07	004
22	SCREW, TAP (5X12)	93901-35210	002
23	SCREW, TAPPING (4X8)	93903-34180	001
24	SCREW, TAP (5X10)	93903-35110	002
25	SCREW, TAP (5X20)	93903-35480	004
26	WASHER, FLAT (5MM)	94101-05700	004

Fairing Wire Harness



REF#	PART		#REQ
01	SUB-WIRE HARNESS E	32105-463-891	001
02	SUB-WIRE HARNESS F	32106-ME2-770	001
03	CASE, FUSE (5A)	32125-463-770	001
04	CASE, FUSE (1A)	32127-463-890	001
05	CASE, FUSE (2A)	32128-463-890	001
06	FUSE B (2A)	38211-463-890	002
07	FUSE (1A)	39110-634-004	002
08	GROMMET B	60604-581-000	004
09	PLATE	64232-463-770	001
10	CAP, FAIRING	64289-ME2-770	001
11	HOLDER B, CONNECTOR	64295-ME2-770	001
12	GROM, HEADLIGHT CORD	64297-463-770	001
13	GASKET	64299-463-770	001
14	SCREW-WASHER (4X12)	93891-04012-07	
	(replaces	93891-04012-17)	002
15	SCREW, TAPPING (4X8)	93903-34180	002
16	FUSE B (5A)	98200-20500	002

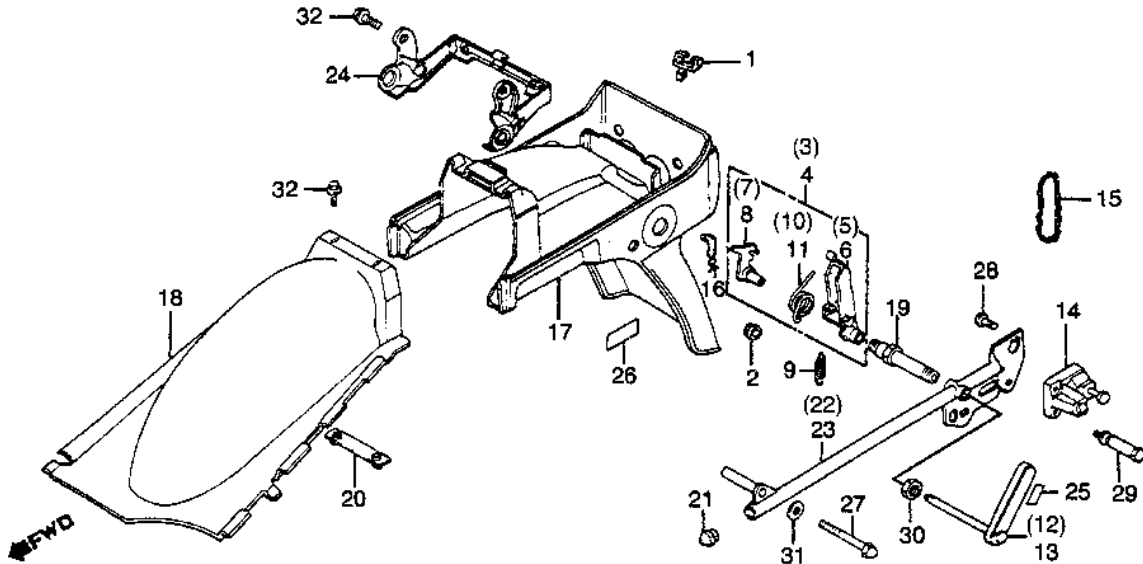
Fender, Front



← FWD

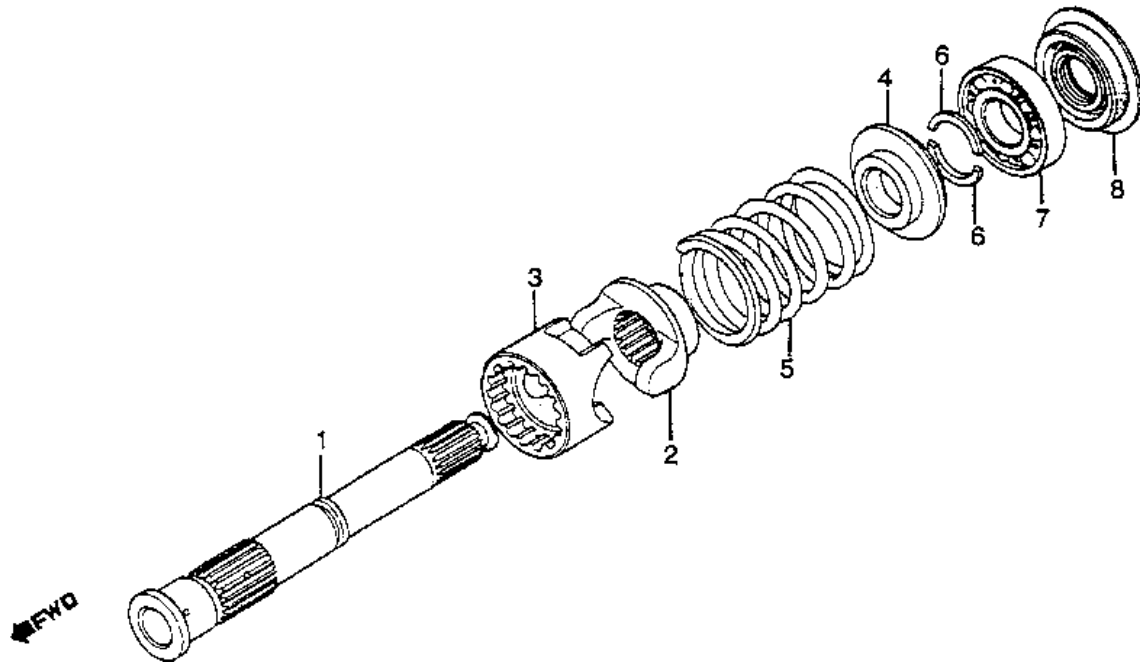
REF#	PART		#REQ
01	GROMMET, CABLE	45451-471-000	001
02	FENDER, FR. *R114CU*	61100-ME2-000ZA	001
02	FDR, FR. *NH125MU*	61100-ME2-000ZB	001
03	GUIDE, R. FR. FENDER	61101-MA1-740	001
04	GUIDE, L. FR. FENDER	61102-MA1-730	001
05	BOLT, FLANGE (6X16)	95701-06016-08	
	(replaces 95700-06016-08)		004

Fender, Rear



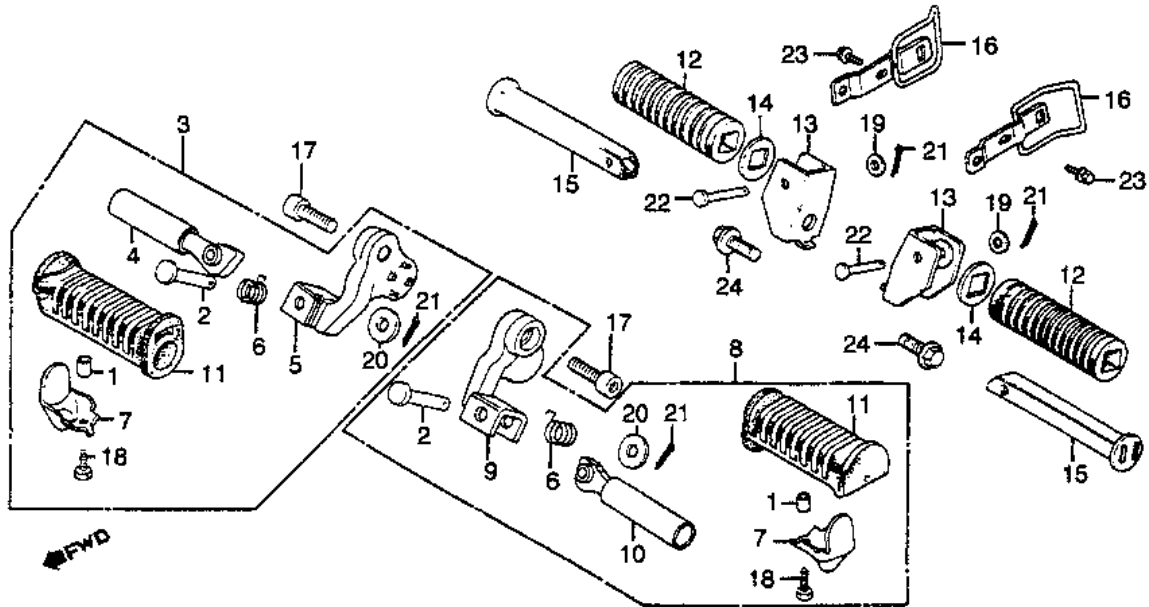
REF#	PART		#REQ
01	GROMMET, CABLE	32985-422-000	001
02	GROMMET B	66219-634-000	002
03	LOCK ASSY., R. SEAT	77205-ME2-000	001
04	LOCK ASSY., L. SEAT	77215-ME2-000	001
05	LEVER, R. SEAT LOCK	77220-ME2-000	001
06	LEVER, L. SEAT LOCK	77221-ME2-000	001
07	PLATE, R. SEAT LOCK	77222-ME2-000	001
08	PLATE, L. SEAT LOCK	77223-ME2-000	001
09	SPRING A, SEAT LOCK	77224-MA1-000	002
10	SPRING B, R.	77226-MA1-000	001
11	SPRING B, L.	77227-MA1-000	001
12	SHAFT, R. SEAT LOCK	77228-ME2-000	001
13	SHAFT, L. SEAT LOCK	77229-ME2-000	001
14	LOCK ASSY., R. SEAT	77230-MA1-731	002
15	CHAIN, HELMET LOCK	77235-MA1-740	001
16	SPRING	77238-MA1-000	002
17	FENDER A, RR.	80100-MA1-610ZA	
	(replaces	80100-MA1-000ZD)	001
17	FDR A, RR. *NH125MU*	80100-MA1-000ZE	001
18	FENDER B, RR.	80101-MA1-000	001
19	BOLT, RR. FENDER	80105-MA1-000	002
20	PLATE, RR. FENDER	80110-415-000	001
21	CAP, RR. BUMPER	84103-MA1-000	002
22	BUMPER, R. RR.	84151-MA1-000	001
23	BUMPER, L. RR.	84152-MA1-000	001
24	BRACKET, TAILLIGHT	84700-MA1-000	001
25	LABEL, HELMET HOLDER	87511-323-670	002
26	MARK	87512-461-770	001
27	BOLT, CAP (8X70)	90101-MA1-000	002
28	SCREW, PAN (6X8)	90106-MA1-000	002
29	BOLT, SEAT LOCK	90107-MA1-000	002
30	NUT, HEX. (14MM)	94002-14000-0S	
	(replaces	94002-14000)	002
31	WASHER, FLAT (8MM)	94103-08200	002
32	BOLT, FLANGE (6X12)	95700-06012-08	004
32	BOLT, FLANGE (6X12)	95701-06012-08	004

Final Shaft



REF#	PART		#REQ
01	SHAFT, FINAL	23521-415-000	001
02	LIFTER, DAMPER	23721-MA1-000	001
03	CAM, DAMPER	23722-MC7-000	001
04	STOPPER	23731-371-000	001
05	SPRING, DAMPER	23732-MA1-000	001
06	WASHER	23733-371-000	002
07	BEARING (62/22)	91002-PL0-018	
		(replaces 91002-PL0-008)	
		(replaces 91005-634-004)	
		(replaces 91005-634-008)	
		(replaces 91005-657-003)	
		(replaces 91005-657-004)	
		(replaces 91005-657-008)	001
08	OIL SEAL (22X36X7)	91202-MC7-000	
		(replaces 91202-415-003)	
		(replaces 91202-415-004)	001

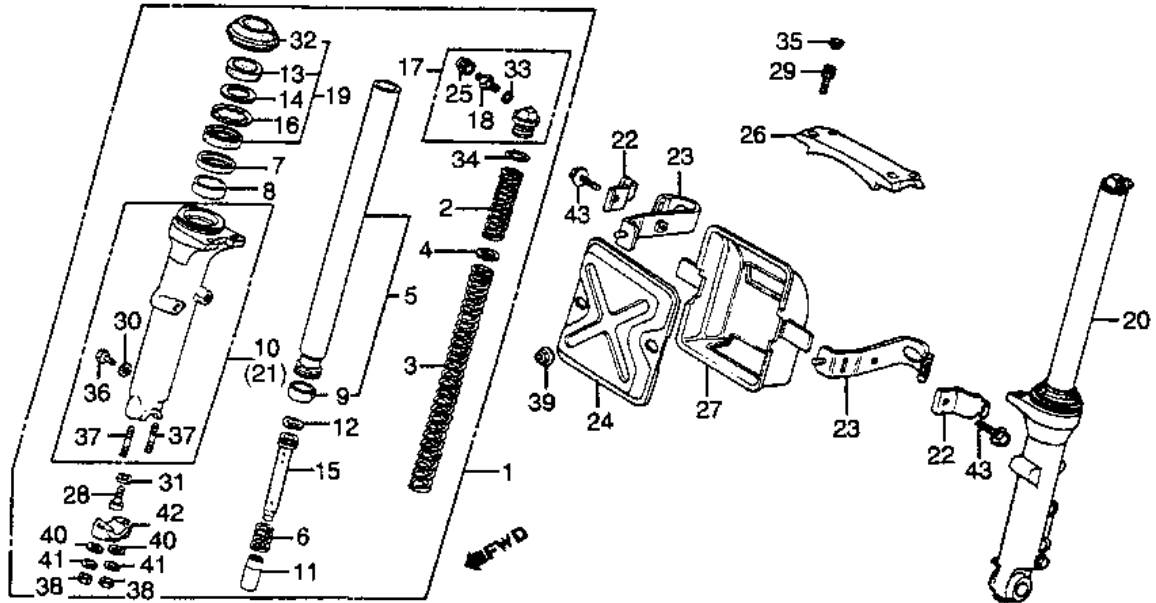
Footpegs



REF#	PART		#REQ
01	COLLAR	37243-323-000	002
02	PIN, STEP BAR JOINT	50603-033-010	002
	(replaces	50603-033-000)	
03	FOOTPEG ASSY., R.	50610-ME2-000	001
04	ARM, R. FOOTPEG	50612-ME2-000	001
05	ARM, R. FOOTPEG	50615-ME2-000	001
06	SPRING	50617-438-000	002
07	STOPPER, STEP RUBBER	50619-KC2-770	002
	(replaces	50619-460-840)	
08	FOOTPEG ASSY., L.	50620-ME2-000	001
09	ARM, L. FOOTPEG	50625-ME2-000	001
10	ARM, L. FOOTPEG	50650-MA5-770	001
11	RUBBER, FOOTPEG	50661-425-670	002
12	RUB, PILLION FOOTPEG	50716-371-660	002
	(replaces	50710-377-000)	
13	BRACKET	50711-415-010	002
14	WASHER	50712-413-000	007
15	BAR, PILLION FOOTPEG	50715-413-000	002
16	BRACKET, BUCKLE	81279-MA1-000	002
17	BOLT, SOCKET (10X25)	90117-ME8-000	002
	(replaces	90117-449-000)	
18	BOLT, HEX. (6X16)	92101-06016-0A	002
	(replaces	92000-06016-0A)	
	(replaces	92000-06016-1A)	
	(replaces	92100-06016-0A)	
	(replaces	92200-06016-0A)	
19	WASHER, PLAIN (6MM)	94101-06800	002
	(replaces	94101-06000)	
	(replaces	94101-06080)	
20	WASHER, PLAIN (8MM)	94101-08000	002
21	PIN, COTTER (1.6X25)	94201-16250	004
	(replaces	94201-16150)	
22	PIN B	95015-82000	002
23	BOLT, FLANGE (6X12)	95701-06012-07	002
	(replaces	95700-06012-07)	
24	BOLT, FLANGE (10X20)	95701-10020-00	002

(replaces 95700-10020-00) 002

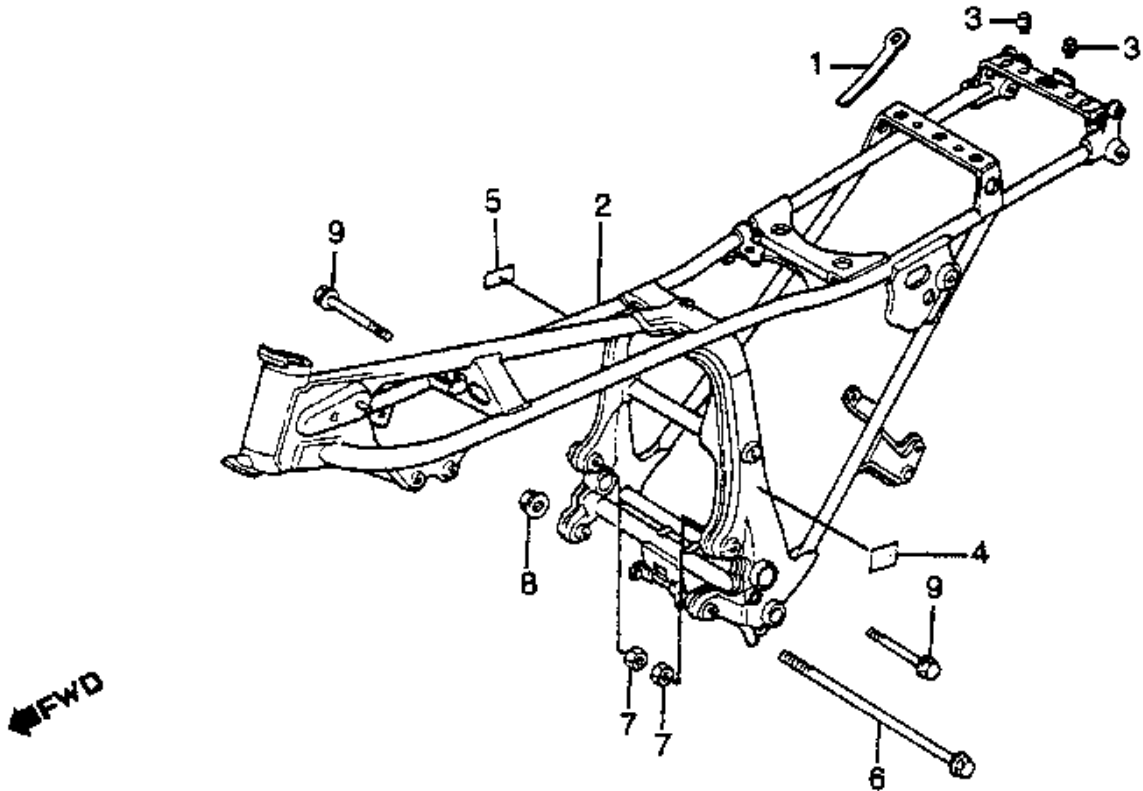
Forks & Wire Box



REF#	PART		#REQ
01	S/ABS ASSY., R. FR.	51400-ME2-013	001
02	SPRING A, FR. FORK	51401-ME2-003	002
03	SPRING B, FR. FORK	51402-ME2-003	002
04	SEAT, SPRING	51403-MA0-771	002
05	PIPE, FR. FORK	51410-MC5-003	002
06	SPRING, FR.	51412-ME1-671	002
07	RING, BACK-UP	51412-461-003	002
08	BUSH, GUIDE	51414-MN4-003	
	(replaces	51414-461-003)	002
09	BUSH, SLIDER	51415-461-003	002
10	CASE, R. (LOWER)	51421-ME2-003	001
11	PIECE, OIL LOCK	51432-371-003	002
12	RING, PISTON	51437-MA0-771	002
15	PIPE,R.SEAT	51440-MC5-003	
	(replaces	51440-ME2-003)	002
16	CIRCLIP (50MM)	51447-461-003	002
17	BOLT ASSY., FR. FORK	51450-MC5-003	002
18	VALVE, AIR	51456-469-013	002
19	SEAL SET, FR. FORK	51490-KAZ-003	
	(replaces	51490-MC5-305)	
	(replaces	51490-MC5-315)	002
20	S/ABS ASSY., L. FR.	51500-ME2-013	001
21	CASE, L. (LOWER)	51521-ME2-003	001
22	BAND	51602-ME2-770	002
23	STAY	51603-ME2-770	002
24	COVER, HOLDER	51605-MA1-740	001
25	CAP, AIR VALVE	52425-381-771	002
26	STABILIZER, FR. FORK	53240-MB0-000	001
27	HOLDER, CONNECTOR	61305-463-770	001
28	BOLT, SOCKET (8X27)	90116-383-721	
	(replaces	90116-283-010)	002
29	BOLT, SOCKET (8X17)	90153-MB0-405	
	(replaces	90153-MB0-000)	004
30	GASKET, FR.	90543-273-000	002
31	WASHER (8MM)	90544-283-000	002
32	DUST SEAL	91254-KAZ-003	

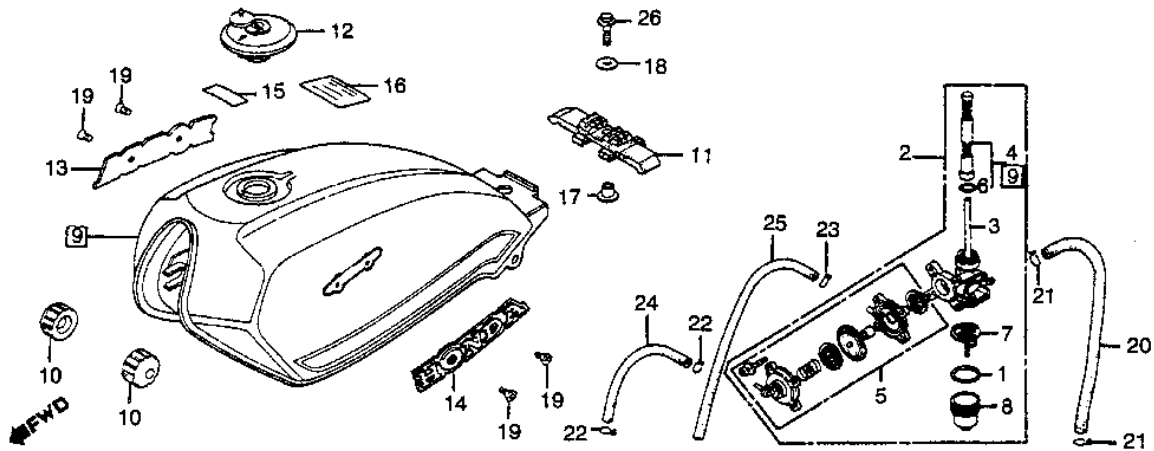
		(replaces 91254-461-003)	002
		(replaces 91254-461-004)	002
33	O-RING (5.8X1.9)	91305-323-000	
		(replaces 91301-469-003)	002
33	O-RING (5.6X1.9)	91318-ME5-003	002
34	O-RING (29X2.4)	91344-PC9-004	
		(replaces 91356-371-000)	002
35	CAP (8MM)	91455-MB0-010	
		(replaces 91455-MB0-000)	004
36	BOLT, HEX. (6X8)	92101-06008-0A	
		(replaces 92000-06008)	
		(replaces 92000-06008-0A)	002
37	BOLT, STUD (8X50)	92900-08028-3B	
		(replaces 92700-08050-3B)	002
38	NUT, HEX. (8MM)	94030-08000	002
39	NUT, FLANGE (6MM)	94050-06000	002
40	WASHER, PLAIN (8MM)	94101-08000	002
41	WASHER, SPRING (8MM)	94111-08000	002
42	HOLDER 1C, FR.	95014-41000	001
43	BOLT, FLANGE (6X14)	95701-06014-00	
		(replaces 95700-06014-00)	002

Frame



REF#	PART		#REQ
01	CLIP, SUB-WIRE	32901-MA1-000	001
02	FRAME *NH1*	50100-ME2-000ZA	001
03	RUBBER B	77206-ME2-000	002
04	LABEL	87508-MA1-770	001
05	LABEL, RR. CUSHION	87518-MA1-770	001
06	BOLT, FLG (12X308)	90110-415-000	001
07	NUT, HEX. (10MM)	94030-10000	002
08	NUT, FLANGE (12MM)	94050-12000	001
09	BOLT, FLANGE (10X70)	95801-10070-00	002
	(replaces	95800-10070-00)	002

Fuel Tank & Petcock



REF#	PART		#REQ
	GASKET SET, PETCOCK	16080-898-631	001
	GASKET	16173-001-004	001
	GASKET	16955-283-000	001
01	O-RING (2.4X18.6)	16075-GHB-B00	
	(replaces	16958-011-000)	
	(replaces	16958-028-000)	001
02	PETCOCK, AUTOMATIC	16950-ME2-010	
	(replaces	16950-ME2-000)	001
03	BODY, PETCOCK	16951-MA1-732	
	(replaces	16951-MA1-731)	001
04	SCREEN SET	16952-461-771	001
05	COVER SET, PETCOCK	16953-ME5-005	
	(replaces	16953-449-751)	001
06	O-RING (10.6X1.3)	16195-657-300	
	(replaces	16958-MA1-731)	001
07	FILTER, CUP	16959-461-751	001
08	CUP, FUEL STRAINER	16967-GA6-671	001
09	TANK, FUEL *R114CU*	175A1-ME2-770ZA	001
09	TANK, FUEL *NH125MU*	175A1-ME2-770ZB	001
10	RUB, FR. FUEL TANK	17611-KE8-000	
	(replaces	17611-286-000)	002
11	RUB, RR. FUEL TANK	17613-MA1-000	001
12	CAP, FUEL FILLER	17620-460-067	
	(replaces	17620-460-057)	001
15	LABEL, FR.	87517-MB1-670	001
16	LABEL *A73* (TYPEG)	87560-181-760ZC	
17	COLLAR	90324-MA1-000	001
18	WASHER (8.3MM)	90534-011-000	001
20	BULK HOSE (7.5X8000)	95001-75008-60M	001
21	CLIP, TUBE (B7)	95002-02070	002
22	CLIP, TUBE (B12)	95002-02120	002
23	CLIP, TUBE (C6.5)	95002-35000	001
24	BULK HOSE (3.5X1000)	95005-35001-20M	001
25	BULK HOSE (3.5X1000)	95005-35001-30M	001
26	BOLT, FLANGE (8X28)	95701-08028-08	
	(replaces	95700-08028-08)	001

Gasket Kit A

(Image Not Available)

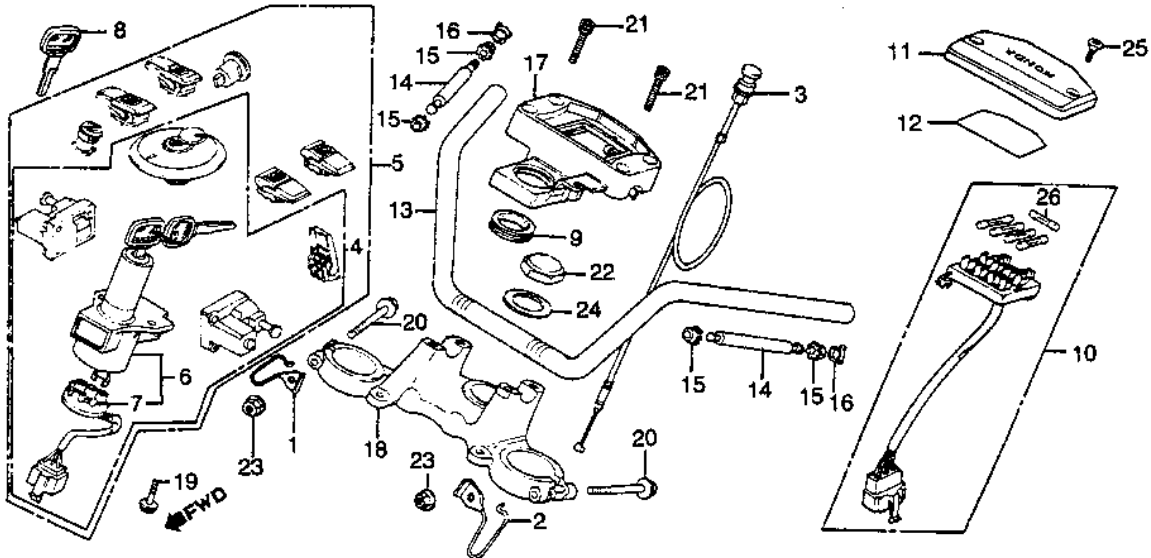
REF#	PART		#REQ
00	GASKET KIT A	(replaces 061A1-ME2-405)	001
01	SEAL, VALVE STEM	(replaces 12209-MB9-003)	008
02	GASKET	(replaces 12230-415-306)	001
03	GASKET, CYL HD	(replaces 12251-ME2-405)	002
04	GASKET, HEAD COVER	(replaces 12328-415-000)	002
05	GASKET, PLUG HOLE	12329-415-000	002
06	GASKET, EX. PIPE	(replaces 18291-286-306)	002
07	O-RING (6.9X1.5)	91302-044-013	002
08	O-RING (21.9X2.3)	(replaces 91301-MB6-003)	
		(replaces 91302-371-013)	
		(replaces 91302-371-023)	004
09	SEAL, WATER PIPE	91302-415-003	001
10	O-RING (53.8X3.1)	91302-657-000	001
11	O-RING (13.5X1.4)	(replaces 91307-PH7-660)	002
13	O-RING (23X2.8)	94608-50000	002

Gasket Kit B

(Image Not Available)

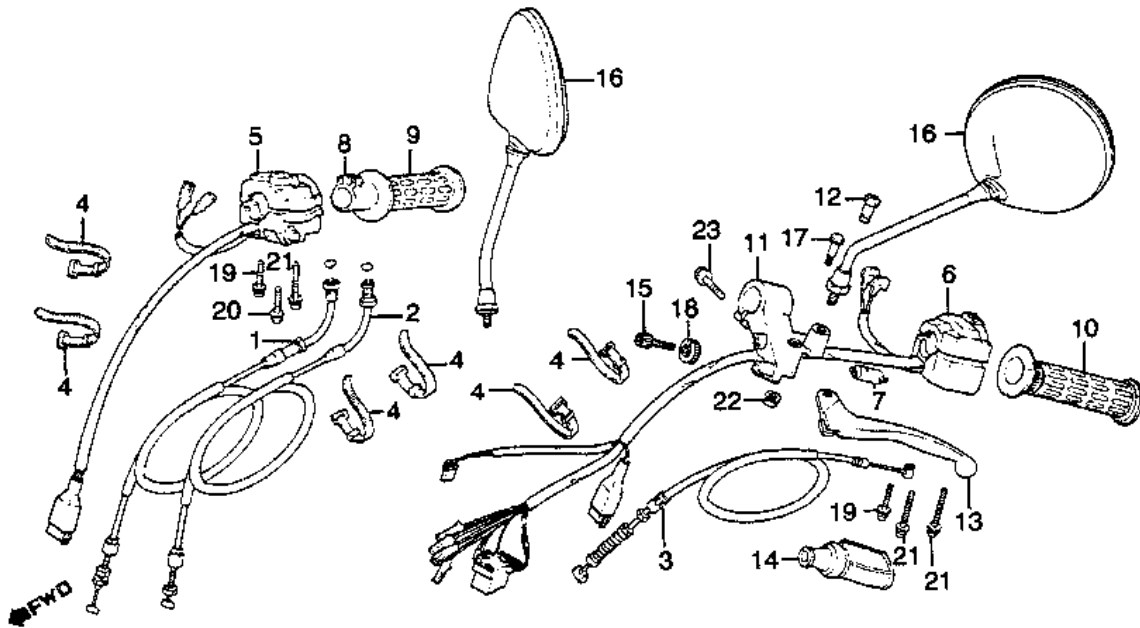
REF#	PART		#REQ
00	GASKET KIT B	061B1-ME2-T00	
		(replaces 061B1-ME2-000)	001
01	GASKET, OIL PAN	11128-ME2-306	
		(replaces 11128-ME2-000)	001
02	GASKET, CLUTCH COVER	11372-449-306	
		(replaces 11372-449-700)	001
03	GASKET, TRANS CVR	11391-ME2-306	
		(replaces 11391-ME2-000)	001
04	GASKET, RR. COVER	11394-449-306	
		(replaces 11394-449-701)	001
05	GASKET	11396-415-000	001
06	O-RING (11.8X2.4)	91302-ZE9-003	
		(replaces 16997-357-003)	
		(replaces 91302-ZE9-000)	
		(replaces 91320-HA5-000)	
		(replaces 91320-HA5-003)	002
06	O-RING (11.8X2.4)	91320-MJ6-003	002
07	GASKET, PULSER COVER	30373-MC7-306	
		(replaces 30373-MC7-000)	001
08	O-RING (22X3.0)	91307-425-003	
		(replaces 91301-250-000)	001
09	O-RING (13.6X2.4)	91301-268-020	004
10	O-RING (27.5X2.6)	91302-001-710	
		(replaces 91302-001-000)	002
11	O-RING (15X2.5)	91302-377-000	002
12	O-RING (8X1.7)	91306-HB3-003	
		(replaces 91303-001-000)	001
13	O-RING (81X4.5)	91315-MA6-003	
		(replaces 91311-415-000)	001
14	O-RING (15.3X3.5)	91363-MC7-004	001
15	O-RING (23X2.8)	94608-50000	002

Handlebar & Top Bridge & Fuse Panel & Lockset



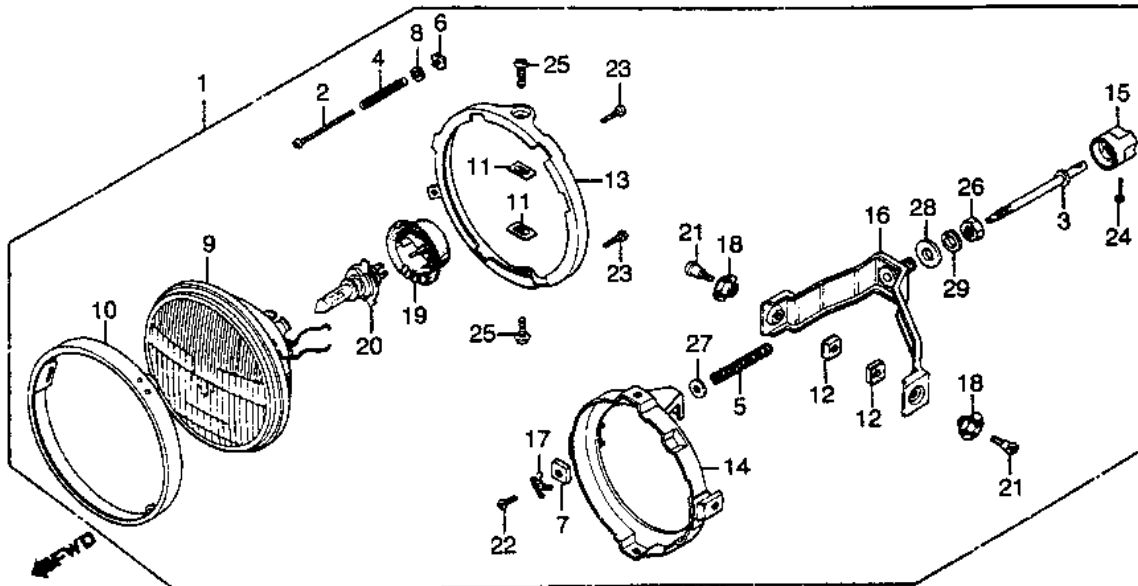
REF#	PART		#REQ
01	GUIDE, R. CABLE	17908-MA1-000	001
02	GUIDE, L. CABLE	17918-MA1-000	001
03	CABLE, CHOKE	17950-ME2-000	001
05	LOCK SET	35010-ME2-772	001
06	SWITCH ASSY.	35100-ME2-007	001
07	BASE, CONTACT	35101-ME2-000	001
08	KEY, BLANK (TYPE1)	35121-KW3-771	
	(replaces	35121-390-811)	
	(replaces	35121-413-811)	
	(replaces	35121-MA6-811)	001
08	KEY, BLANK (TYPE2)	35122-KW3-771	
	(replaces	35111-MA6-007)	
	(replaces	35122-413-811)	
	(replaces	35122-MA6-811)	001
09	RUBBER	37623-415-000	001
10	BOX ASSY FUSE	38200-MF9-405	
	(replaces	38200-MA4-671)	001
10	BOX ASSY FUSE	38200-MF9-405	001
11	COVER, FUSE PLATE	38210-425-000	001
12	LABEL, FUSE	38215-MA4-670	001
13	HANDLEBAR	53100-MA1-000	001
14	WEIGHT, HANDLE	53106-ME2-000	002
15	RUB, HANDLE WEIGHT	53107-415-000	004
16	RING	53108-MK4-000	
	(replaces	53108-415-004)	002
17	HLDR, HANDLE (UPPER)	53131-MA1-000	001
18	BRIDGE, FORK TOP	53230-ME2-000	001
19	BOLT	90105-GJ1-305	
	(replaces	90105-MC7-610)	
	(replaces	90105-MC7-611)	002
20	BOLT, FLANGE (7X54)	90155-369-000	002
21	BOLT (8X32)	90185-371-000	004
22	NUT, STEERING STEM	90304-KA2-000	001
23	NUT, FLANGE (7MM)	90355-369-000	002
24	WASHER	90503-ME1-670	001
25	SCREW, OVAL (5X16)	93700-05016-0G	002
26	FUSE B (15A)	98200-21500	005

Handlebar Controls



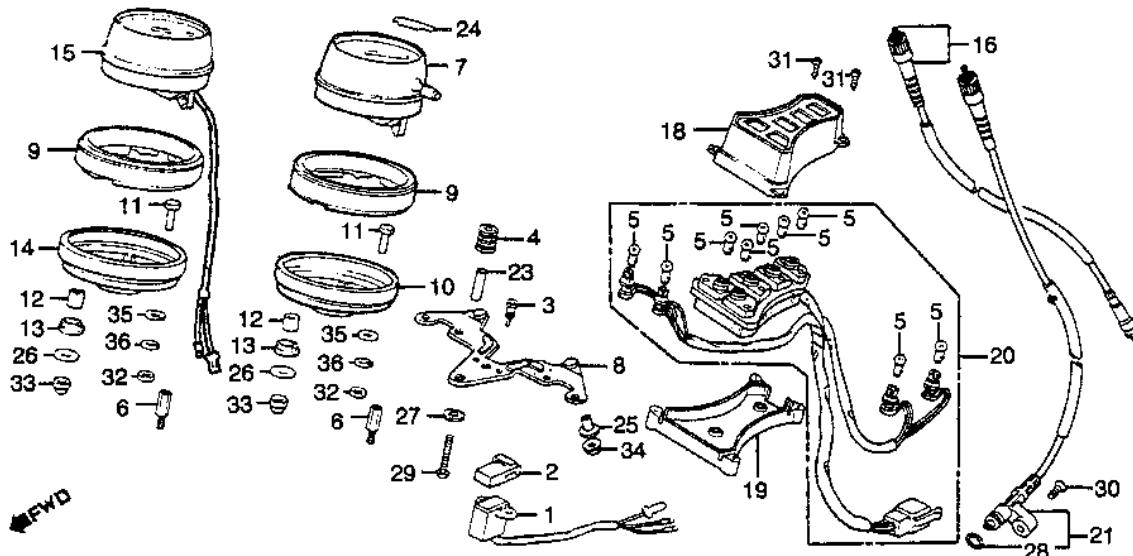
REF#	PART		#REQ
01	CABLE A, THROTTLE	17910-ME2-000	001
02	CABLE B, THROTTLE	17920-ME2-000	001
03	CABLE, CLUTCH	22870-ME2-000	001
04	BAND B1, CABLE	32161-404-000	004
05	SWITCH ASSY.	35130-MA1-670	001
06	SWITCH, TURN SIGNAL	35200-MA1-770	001
	(replaces	35200-MA1-670)	001
07	SWITCH, FR. LEVER	35330-413-003	001
08	PIPE, THROTTLE GRIP	53141-300-010	001
09	GRIP, R. HANDLEBAR	53165-390-780	001
10	GRIP, L. HANDLEBAR	53166-390-780	001
11	BRKT, L. HANDLEBAR	53172-425-003	001
12	PLUG	53174-116-670	001
	(replaces	53174-463-770)	002
13	LEVER, L. HANDLE	53178-461-000	001
	(replaces	53178-425-003)	001
14	BOOT, HANDLEBAR	53180-425-010	001
	(replaces	53180-425-000)	001
15	BOLT, CABLE ADJ.	53192-422-000	001
	(replaces	53192-425-000)	001
17	BOLT, L.	90113-422-000	001
18	NUT, FIXING	90321-422-000	001
19	SCREW-WASHER (5X30)	93891-05030-07	002
20	SCREW-WASHER (5X40)	93891-05040-07	001
21	SCREW-WASHER (5X45)	93891-05045-07	003
22	NUT, FLANGE (6MM)	94050-06000	001
23	BOLT, FLANGE (6X25)	96001-06025-07	001
	(replaces	96000-06025-07)	001

Headlight



REF#	PART		#REQ
01	HDLT (12V 60/55W)	33100-463-771	001
02	SCREW	33103-346-670	001
03	SCREW	33103-MJ3-000	
	(replaces	33103-463-771)	001
04	SPRING	33107-300-003	001
05	SPRING	33107-463-771	001
06	NUT	33117-001-023	001
07	NUT, BEAM ADJUSTING	33117-463-771	001
08	WASHER	33119-371-003	001
09	HEADLIGHT UNIT	33120-431-671	001
10	RING, RETAINING	33121-463-771	001
11	NUT, UNIT HOLDER	33128-292-670	002
12	NUT, UNIT HOLDER	33128-463-771	002
13	RING A, SETTING	33153-463-771	001
14	RING B, SETTING	33154-463-771	001
15	KNOB, BEAM ADJUSTING	33155-463-771	001
16	BRACKET, HEADLIGHT	33156-463-771	001
17	WASHER, SPRING	33157-463-771	001
18	WASHER, HEADLIGHT	33165-463-771	002
19	COVER, RUBBER	33180-422-003	001
20	BULB (12V60/55W)	34901-MC7-601AH	
	(replaces	34901-371-601)	001
	(replaces	34901-MC7-601)	001
21	SCREW, PAN (5X10)	90150-463-771	002
22	SCREW, PAN (3X8)	93500-03008-0H	001
23	SCREW, PAN (3X12)	93500-03012-0A	
	(replaces	93500-03012-1A)	002
24	SCREW, PAN (3X14)	93500-03014-0G	001
25	SCREW, PAN (5X8)	93500-05008-0H	002
26	NUT, HEX. (12MM)	94002-12080-0S	001
27	WASHER, PLAIN (6MM)	94101-06800	001
28	WASHER, PLAIN (12MM)	94101-12800	001
29	WASHER (12MM)	94111-12800	001

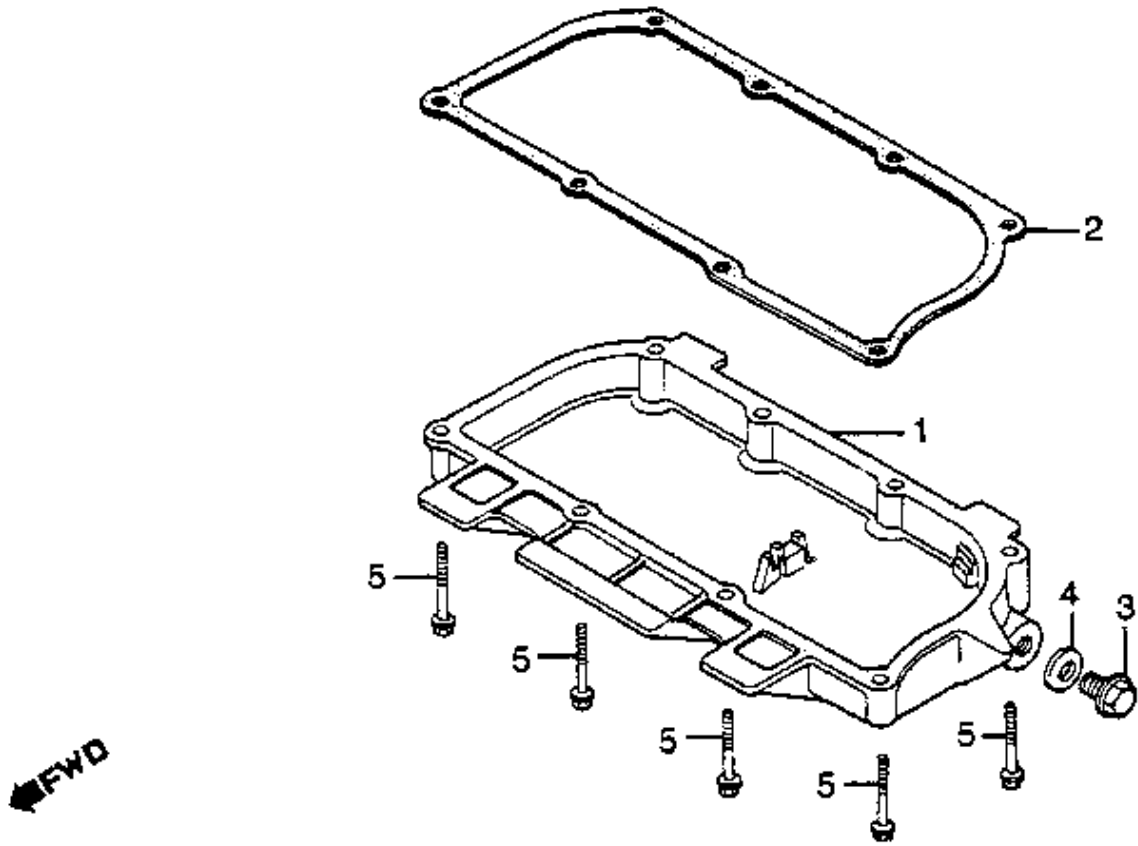
Instruments: Speedometer & Tachometer & Lights



REF#	PART		#REQ
01	REGULATOR (7V)	31410-449-018	001
02	SUSPENSION	31412-449-000	001
03	STOPPER	32701-392-700	002
04	GROM, METER BRACKET	32702-392-700	002
05	BULB (12V3.4W2CP)	37237-SA5-003	
	(replaces 34908-GA7-701)		
	(replaces 37102-567-009)		
	(replaces 37237-SA5-004)		009
06	BOLT, HOOD	37107-MA1-770	002
07	SPEEDOMETER ASSY.	37200-ME2-670	001
08	BRACKET, METER	37211-ME2-770	001
09	RUBBER, SPEEDOMETER	37235-323-700	002
10	PLATE, SPEEDOMETER	37236-426-000	001
11	BOLT (6MM)	37238-323-700	004
12	COLLAR	37243-323-700	004
13	RUB, METER SETTING	37244-307-670	004
14	PLATE, TACHOMETER	37246-426-000	001
15	TACHOMETER ASSY.	37250-ME2-671	001
16	CABLE, TACHOMETER	37260-449-840	
	(replaces 37260-300-000)		
	(replaces 37261-300-000)		001
18	COVER, PILOT (UPPER)	37610-MA1-008	001
19	COVER, PILOT (LOWER)	37617-MA1-008	001
20	SOCKET ASSY., RUBBER	37619-MA1-731	001
21	CABLE, SPEEDOMETER	44830-MB9-780	
	(replaces 44830-ME2-000)		001
23	COLLAR	84706-375-000	002
24	LABEL	87523-413-710	001
26	WASHER (6.5X18)	90545-323-700	004
27	WASHER (20MM)	90581-349-690	002
28	O-RING (6.8X1.9)	91306-PJ4-000	
	(replaces 91301-027-000)		
	(replaces 91310-MC7-003)		001
29	SCREW, PAN (5X28)	93500-05028-0G	002
30	SCREW, OVAL (5X20)	93700-05020-0G	001
31	SCREW, TAP (4X12)	93901-34380	004
32	NUT, HEX. (6MM)	94001-06070-0S	002
33	NUT, CAP (6MM)	94021-06020	

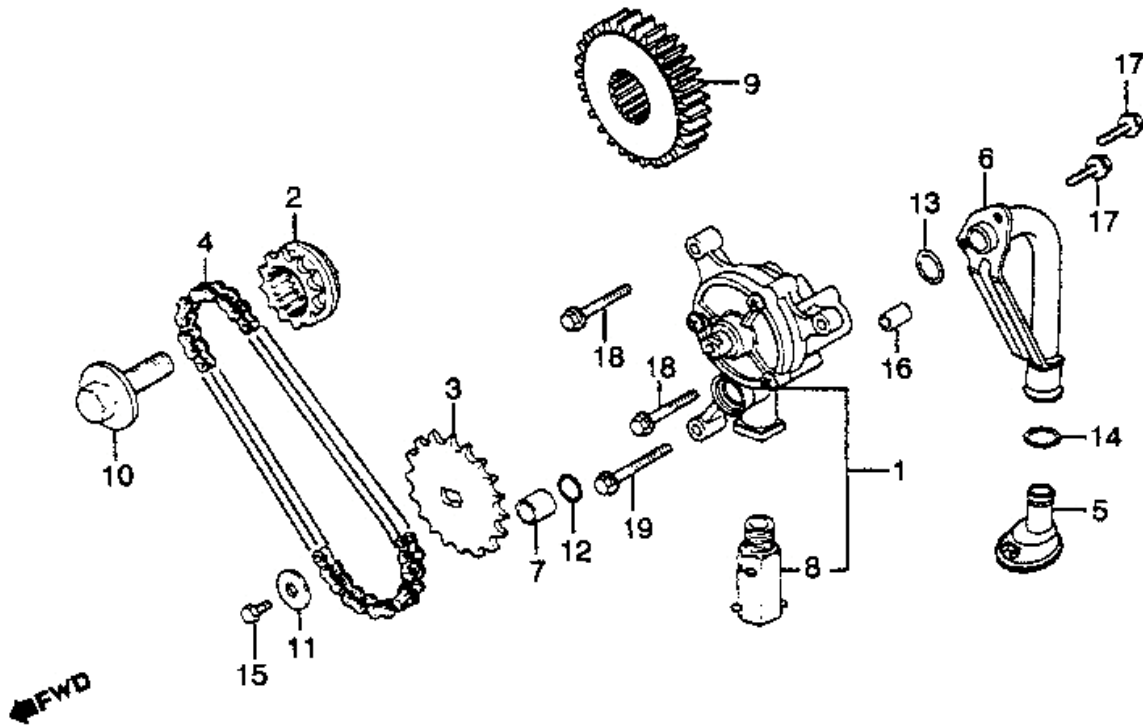
		(replaces 94021-06020-0s)	
		(replaces 94022-06020)	004
34	NUT, FLANGE (6MM)	94050-06000	
		(replaces 18362-720-000)	
		(replaces 94050-06000-00)	002
35	WASHER, PLAIN (6MM)	94101-06700	004
36	WASHER, SPRING (6MM)	94111-06700	004

Oil Pan



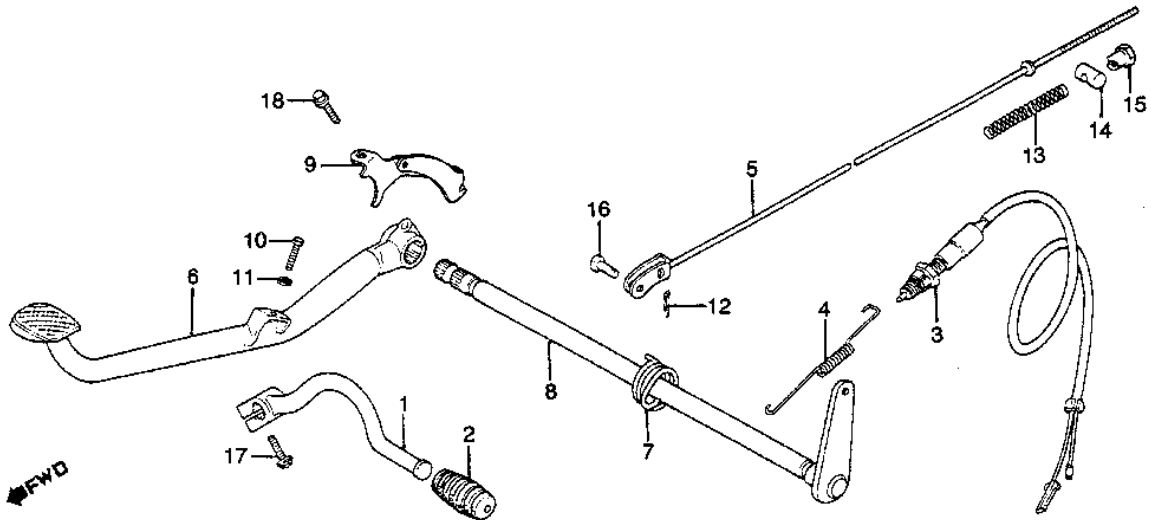
REF#	PART		#REQ
01	PAN, OIL	11121-ME2-000	001
01	PAN, OIL	11121-ME2-010	001
02	GASKET, OIL PAN	11128-ME2-306	
		(replaces 11128-ME2-000)	001
03	BOLT, DRAIN (12MM)	92800-12000	
		(replaces 90030-415-000)	001
03	BOLT, DRAIN (14MM)	92800-14000	001
04	WASHER, DRAIN (12MM)	94109-12000	001
04	WASHER, DRAIN (14MM)	94109-14000	001
05	BOLT, FLANGE (6X40)	96001-06040-00	
		(replaces 96000-06040-00)	008

Oil Pump & Primary Drive Gear



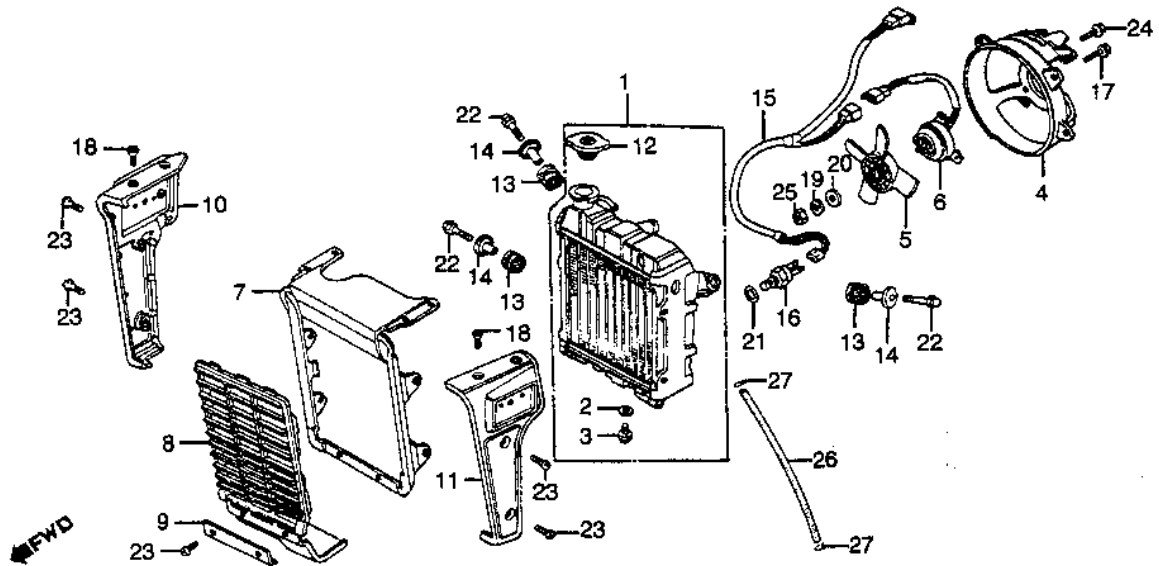
REF#	PART		#REQ
01	PUMP ASSY., OIL	15100-ME2-000	001
02	SPROCKET	15115-415-000	001
03	SPROCKET	15116-415-000	001
04	CHAIN, OIL PUMP	15140-415-003	001
05	BODY, OIL STRAINER	15141-ME2-000	001
05	BODY, OIL STRAINER	15141-ME2-010	001
06	PIPE, OIL STRAINER	15143-ME2-000	001
07	COLLAR, O-RING	15155-300-000	001
08	VALVE ASSY., RELIEF	15220-415-000	001
09	GEAR, PRIMARY DRIVE	23121-ME2-000	001
10	BOLT, UBS (12X28)	90013-415-000	001
11	WASHER	90486-028-000	001
12	O-RING (13.6X2.4)	91301-268-020	001
13	O-RING (15X2.5)	91302-377-000	001
14	O-RING (15.3X3.5)	91363-MC7-004	001
15	BOLT, HEX. (6X8)	92101-06008-0A	
		(replaces 92000-06008)	
		(replaces 92000-06008-0A)	001
16	PIN, DOWEL (8X14)	94301-08140	001
17	BOLT, FLANGE (6X14)	95701-06014-00	
		(replaces 95700-06014-00)	002
18	BOLT, FLANGE (6X25)	95701-06025-00	
		(replaces 95700-06025-00)	002
19	BOLT, FLANGE (6X32)	95701-06032-00	
		(replaces 95700-06032-00)	001

Pedal, Brake & Shift



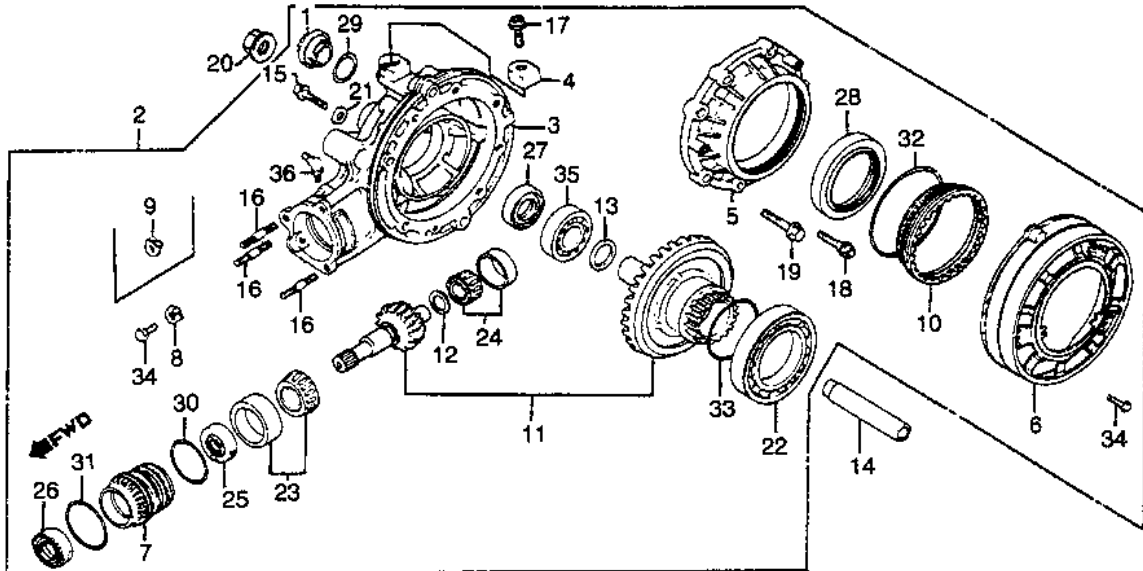
REF#	PART		#REQ
01	PEDAL, GEARSHIFT	24700-MA1-000	001
02	RUBBER, GEARSHIFT	24781-449-000	001
03	SWITCH, RR. STOP	35350-MA1-405	
	(replaces 35350-MA1-003)		001
04	SPRING, STOP SWITCH	35357-MJ1-000	
	(replaces 35357-MA1-000)		001
05	ROD, RR. BRAKE	43450-405-000	
	(replaces 43450-MA1-000)		001
06	PEDAL, RR. BRAKE	46500-ME2-000	001
07	SPRING, RR. BRAKE	46514-MA1-000	001
08	SHAFT, RR.	46515-ME2-000	001
09	ARM, RR. STOP SWITCH	50313-MA1-730	001
10	BOLT, HEX. (6X25)	92025-06025-0A	
	(replaces 92025-06025)		001
11	NUT, HEX. (6MM)	94001-06200-0S	
	(replaces 90310-KA3-711)		
	(replaces 94000-06000-0S)		
	(replaces 94001-06000)		
	(replaces 94001-06000-0S)		
	(replaces 94001-06008-0S)		
	(replaces 94030-06000)		001
12	PIN, SPLIT (1.6X12)	94201-16120	001
13	SPRING A, BRAKE ROD	95014-73100	001
14	JOINT, BRAKE ARM	95015-32001	001
15	NUT B	95015-42000	001
16	PIN B	95015-52000	001
17	BOLT, FLANGE (6X20)	95701-06020-00	
	(replaces 95700-06020)		
	(replaces 95700-06020-00)		
	(replaces 95900-06020-00)		001
18	BOLT, FLANGE (6X28)	95700-06028-00	001
18	BOLT, FLANGE (6X28)	95701-06028-00	001

Radiator & Cooling Fan & Grille



REF#	PART		#REQ
01	RADIATOR	19010-ME2-003	001
02	GASKET, DRAIN	19012-ZB5-003	
		(replaces 19012-611-003)	
		(replaces 19012-PA0-003)	
03	VALVE, DRAIN	19013-415-004	001
04	SHROUD	19015-ME2-003	001
05	FAN, COOLING	19020-ME2-003	001
06	MOTOR, FAN	19030-ME2-003	001
07	COVER, RADIATOR	19031-ME2-000	001
08	GRILLE, RADIATOR	19032-ME2-000	001
09	COVER, RADIATOR	19033-470-670	001
12	CAP, RADIATOR	19045-692-003	
		(replaces 19045-449-770)	
		(replaces 19045-634-003)	
		(replaces 19045-PA0-014)	
13	RUBBER	19115-415-000	003
14	COLLAR	19119-449-000	003
15	SUB-WIRE HARNESS A	32101-ME2-000	001
16	SWITCH ASSY., THERMO	37760-MC7-003	001
17	BOLT-WASHER (6x10)	90042-679-003	004
18	SCREW, FLAT (6X12)	93600-06012-0B	
		(replaces 90138-415-840)	
19	WASHER, SPRING (5MM)	90401-679-003	001
20	WASHER, PLAIN (5MM)	94103-05800	
		(replaces 90402-679-003)	
21	O-RING (13.5X1.4)	91307-PH7-660	
		(replaces 91307-611-000)	
22	BOLT, CAP (6X32)	92600-06032-0B	003
23	SCREW, PAN (6X12)	93500-06012-4J	006
24	SCREW-WASHER (5X10)	93893-05010-08	003
25	NUT, HEX. (5MM)	94001-05080-0S	001
26	BULK HOSE (7.5X8000)	95001-75008-60M	001
27	CLIP, TUBE (B12)	95002-02120	002

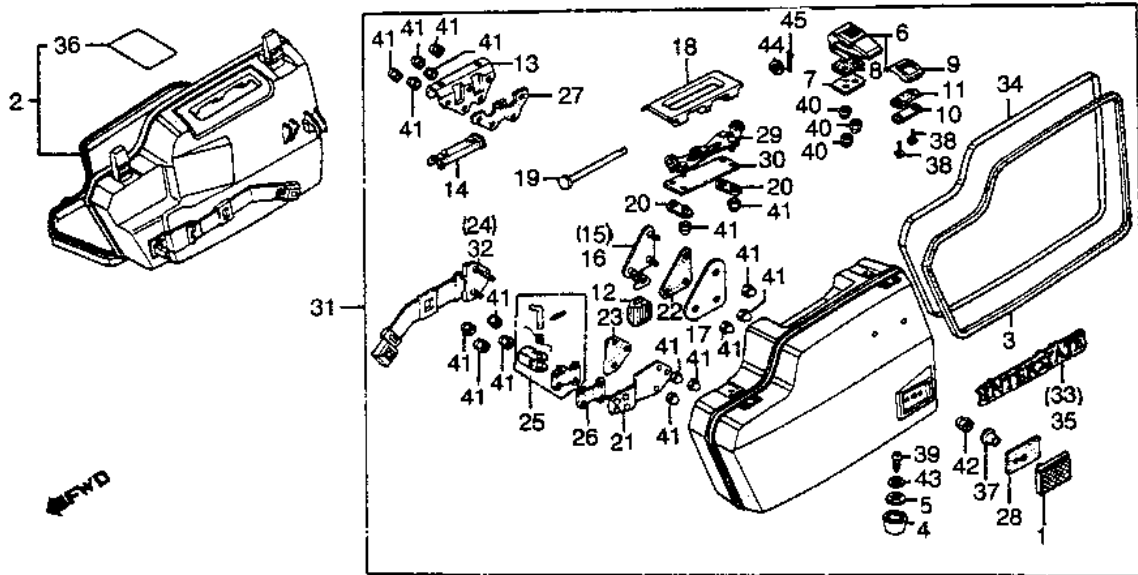
Rear End



REF#	PART		#REQ
01	CAP, VALVE ADJ.	12361-300-000	
		(replaces 12361-035-000)	
		(replaces 12361-371-980)	001
02	GEAR, FINAL DRIVEN	41300-ME2-000	001
03	CASE, FINAL GEAR	41301-MC7-000	001
04	CAP, BREATHER	41306-MC7-000	001
05	COVER, L. GEAR CASE	41321-MC7-000	001
06	PLATE, DUST GUARD	41324-MC7-000	001
07	RETAINER B, BEARING	41331-MC7-000	001
08	LOCK A, BEARING ADJ.	41332-MC7-000	001
09	LOCK B, BEARING ADJ.	41333-MC7-000	001
10	RETAINER A, BEARING	41351-371-000	001
11	GEAR SET	41310-MC7-305	
		(replaces 414A3-MC7-000)	001
12	SHIM A (1.10)	41450-415-000	001
12	SHIM B (1.14)	41451-415-000	001
12	SHIM C (1.18)	41452-415-000	001
12	SHIM D (1.22)	41453-415-000	001
12	SHIM E (1.26)	41454-415-000	001
12	SHIM F (1.30)	41455-415-000	001
12	SHIM G (1.34)	41456-415-000	001
12	SHIM H (1.38)	41457-415-000	001
12	SHIM I (1.42)	41458-415-000	001
12	SHIM J (1.46)	41459-415-000	001
12	SHIM K (1.50)	41460-415-000	001
12	SHIM L (1.54)	41461-415-000	001
12	SHIM M (1.58)	41462-415-000	001
12	SHIM N (1.62)	41463-415-000	001
12	SHIM O (1.66)	41464-415-000	001
12	SHIM P (1.70)	41465-415-000	001
12	SHIM Q (1.74)	41466-415-000	001
12	SHIM R (1.78)	41467-415-000	001
12	SHIM S (1.82)	41468-415-000	001
12	SHIM T (1.86)	41469-415-000	001
12	SHIM U (1.90)	41470-415-000	001
13	SHIM A (1.80)	41510-415-000	001
13	SHIM B (1.84)	41511-415-000	001

13	SHIM C (1.88)	41512-415-000	001
13	SHIM D (1.92)	41513-415-000	001
13	SHIM E (1.96)	41514-415-000	001
13	SHIM F (2.00)	41515-415-000	001
13	SHIM G (2.04)	41516-415-000	001
13	SHIM H (2.08)	41517-415-000	001
13	SHIM I (2.12)	41518-415-000	001
13	SHIM J (2.16)	41519-415-000	001
13	SHIM K (2.20)	41520-415-000	001
13	SHIM L (2.24)	41521-415-000	001
13	SHIM M (2.28)	41522-415-000	001
13	SHIM N (2.32)	41523-415-000	001
14	COLLAR, RR.	42623-MC7-000	001
15	BOLT, SEALING (8MM)	90109-371-000	001
16	BOLT, STUD (10X45)	90125-371-000	003
17	BOLT, BREATHER	90126-MC7-000	001
18	BOLT, FLANGE (8X32)	90133-371-000	006
19	BOLT, FLANGE (10X38)	90134-371-000	002
20	NUT, RR. (16MM)	90305-MC0-003	
	(replaces	90305-MA6-003)	001
21	GASKET (8MM)	90471-580-000	001
22	BEARING (6914)	91051-371-004	
	(replaces	91051-371-003)	
	(replaces	91051-371-005)	001
23	BEARING (30206C)	91061-463-004	001
23	BEARING (30206C)	91061-463-008	001
24	BEARING (30203)	91121-PH8-961	
	(replaces	91062-415-013)	001
25	OIL SEAL (30X51X10)	91261-463-013	001
26	OIL SEAL (33X43X7)	91262-415-003	001
27	OIL SEAL (30X47X7)	91264-415-003	001
28	OIL SEAL (70X90X8)	91265-371-003	001
29	O-RING (30.8MM)	91302-001-020	001
30	O-RING (57X4.3)	91353-463-005	001
31	O-RING (60.5X2.4)	91354-463-003	001
32	O-RING (96.5X2.0)	91355-371-003	001
33	O-RING (62.7X4)	91356-415-003	001
34	BOLT, HEX. (6X12)	92101-06012-0A	
	(replaces	92000-06012)	
	(replaces	92101-06012)	004
35	BEARING (6006)	96100-60063-00	001
36	FITTING (B.76S)	96201-80000	001

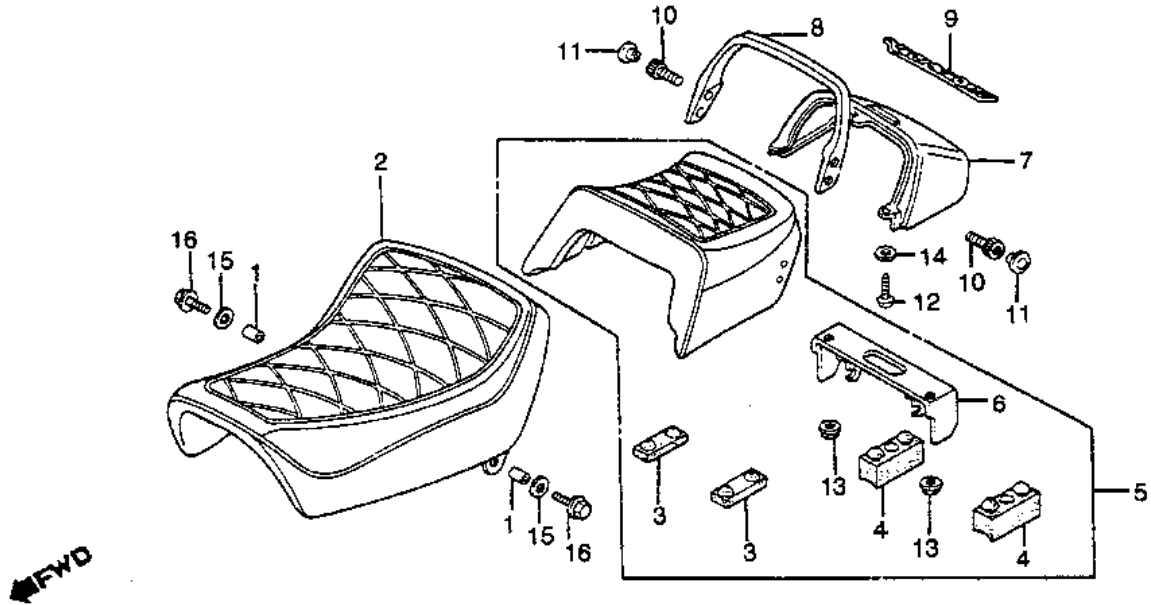
Saddlebags



REF#	PART		#REQ
01	REFLECTOR, RR.	33741-415-602	
		(replaces 33741-415-601)	002
02	SADDLEBAG *R114CU*	81200-ME2-770ZA	001
02	SADDLEBAG *NH125MU*	81200-ME2-770ZB	001
03	RUB, SADDLEBAG SEAL	81213-MA1-770	002
04	CUSHION, SADDLEBAG	81215-ME2-770	008
05	RUBBER	81216-ME2-770	008
06	LOCK, SADDLEBAG	81220-MA2-000	004
07	PLATE, LOCK	81221-MA2-000	004
08	RUBBER, LOCK SEAL	81222-MA2-000	004
09	HOOK, LOCK	81230-MA2-000	004
10	PLATE A, HOOK	81231-MA2-000	004
11	RUBBER A, HOOK	81233-MA2-000	004
12	RUB, SADDLEBAG GUIDE	81248-MA1-740	002
13	BRACKET	81253-MA1-770	002
14	RUB, FR. SADDLEBAG	81254-MA1-770	002
15	GUIDE, R. SADDLEBAG	81256-MA1-740	001
16	GUIDE, L. SADDLEBAG	81257-MA1-740	001
17	PATCH, GUIDE	81259-MA1-740	002
18	GRIP, SADDLEBAG	81260-ME2-770	002
19	PIN, GRIP	81263-MA2-000	002
20	PATCH, GRIP	81265-MA1-770	004
21	PATCH, BUCKLE	81266-MA1-740	002
22	RUB, GUIDE SETTING	81269-MA1-740	002
23	RUB, BUCKLE SETTING	81270-MA1-740	002
24	PLATE, R. BUCKLE	81271-MA1-740	001
25	HOOK, BUCKLE LOCK	81280-MA1-770	002
26	RUBBER	81286-MA1-770	002
27	RUBBER	81287-MA1-770	002
28	RUBBER	81288-MA1-770	002
29	BASE, GRIP	81290-MA1-770	002
30	RUBBER, GRIP	81291-MA1-770	002
31	SADDLEBAG *R114CU*	81400-ME2-770ZA	001
31	SADDLEBAG *NH125MU*	81400-ME2-770ZB	001
32	PLATE, L. BUCKLE	81471-MA1-740	001
33	EMBLEM, SADDLEBAG	87111-MG9-770	
		(replaces 87124-MA1-770)	001

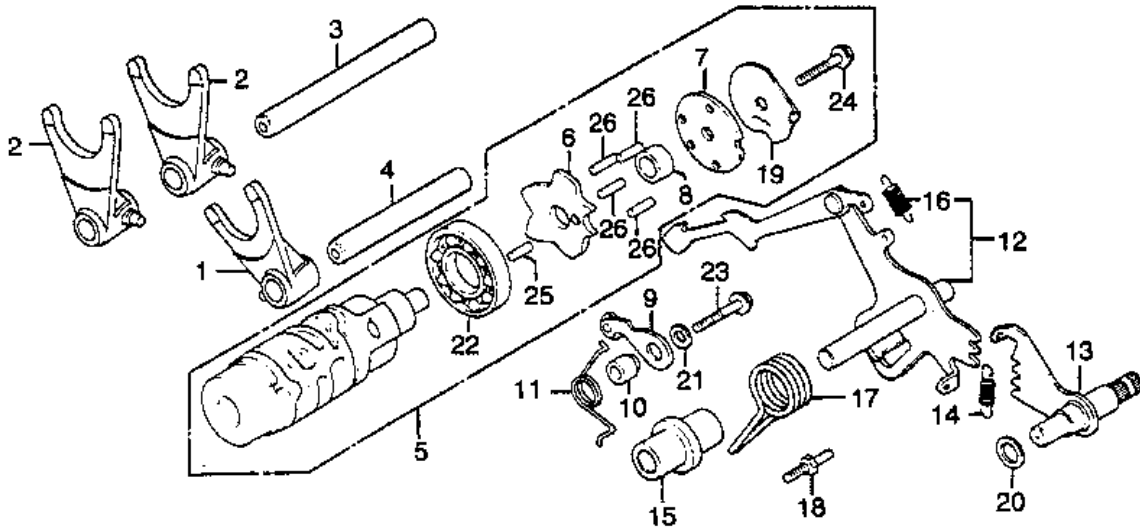
34	TAPE (TYPE1)	87127-ME2-770ZA	004
34	TAPE (TYPE2)	87127-ME2-770ZB	004
35	EMBLEM, SADDLEBAG	87111-MG9-770	
	(replaces	87136-MA1-770)	001
36	LABEL	87520-ME2-770	002
37	COLLAR	90129-MA1-740	002
38	SCREW, PAN (3X6)	93500-03006-0G	008
39	SCREW, TAP (4X16)	93902-34480	008
40	NUT, CAP (4MM)	94021-04070-0S	012
41	NUT, CAP (5MM)	94021-05070-0S	038
42	NUT, CAP (6MM)	94021-06070-0S	
	(replaces	90301-kw8-900)	
	(replaces	94021-06070)	002
42	NUT, CAP (6MM)	94021-06070-0S	002
43	WASHER, PLAIN (4MM)	94101-04700	008
44	WASHER, PLAIN (6MM)	94101-06800	
	(replaces	94101-06000)	
	(replaces	94101-06080)	002
45	PIN, LOCK (6MM)	94251-06000	002

Seats & Rear Cowl



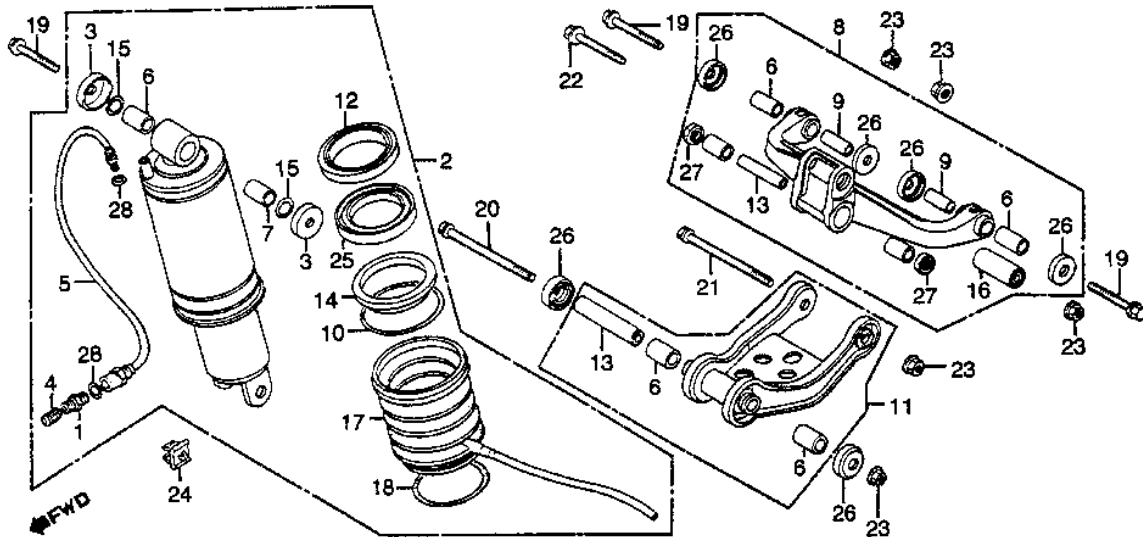
REF#	PART		#REQ
01	COLLAR, METER	37213-GA6-000	002
02	SEAT, SINGLE	77100-ME2-010	
		(replaces 77100-ME2-000)	001
03	RUBBER, SEAT SETTING	77204-MA1-730	002
04	RUBBER, SEAT SETTING	77204-292-000	002
05	SEAT, PILLION	77300-ME2-010	
		(replaces 77300-ME2-000)	001
06	PLATE, SEAT LOCK	77301-MA1-730	001
07	COWL, RR. *R114CU*	77310-MA1-000ZA	
07	COWL, RR. *NH125MU*	77310-MA1-000ZB	
08	GRIP, SEAT	77320-MA1-000	001
09	EMBLEM, TRUNK	87123-MA1-000	001
10	BOLT, SOCKET (8X16)	90115-463-000	004
11	CAP, SOCKET BOLT	91456-371-770	004
12	SCREW, PAN (5X12)	93500-05012-0A	003
13	NUT, FLANGE (8MM)	94050-08080	002
14	WASHER, PLAIN (5MM)	94101-05800	003
15	WASHER, PLAIN (8MM)	94103-08000	002
16	BOLT, FLANGE (8X25)	95701-08025-08	
		(replaces 95700-08025-08)	002

Shifter Drum & Forks



REF#	PART		#REQ
01	FORK		001
02	FORK		001
		(replaces 24221-MC7-000)	
03	SHAFT A	24216-ME2-000	001
04	SHAFT B	24221-MC7-000	001
05	DRUM, GEARSHIFT	24221-ME2-000	002
06	PLATE, DRUM CAM	24241-MC7-000	001
07	PLATE, DRUM CENTER	24242-MC7-000	001
08	COLLAR, DRUM CENTER	24300-MC7-000	001
09	STOPPER	24303-MC7-000	001
10	COLLAR	24304-415-000	001
11	SPRING, DRUM STOPPER	24305-415-000	001
12	ARM, GEARSHIFT	24430-413-000	001
13	SPINDLE, GEARSHIFT	24432-413-000	001
14	SPRING, GEARSHIFT	24435-415-000	001
15	COLR, GEARSHIFT ARM	24610-415-000	001
16	SPRING	24620-415-000	001
17	SPRING	24623-415-000	001
18	PIN	24624-415-000	001
19	PLATE, POINT	24641-216-000	001
20	WASHER (12MM)	24651-333-000	001
21	WASHER	24652-259-000	001
22	BEARING (16005)	35753-415-000	001
23	BOLT, FLANGE (6X25)	90451-708-000	001
		(replaces 95701-06025-00)	
24	BOLT, FLANGE (6X25)	95700-06025-00	001
25	ROLLER (4X11.8)	95725-06025-00	001
26	ROLLER (4X14)	96220-40118	001
		96220-40140	004

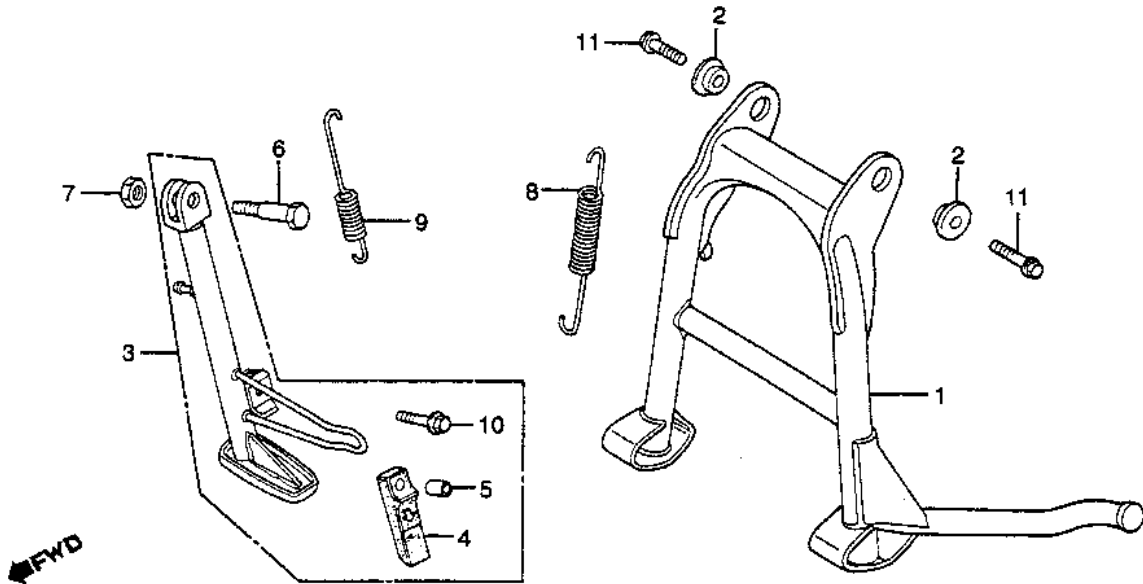
Shock Absorber & Rear Suspension



REF#	PART		#REQ
01	VALVE, AIR	51456-469-013	001
02	CUSHION ASSY., RR.	52400-MC5-013	
	(replaces	52400-ME2-003)	
	(replaces	52400-ME2-611)	
	(replaces	52400-ME2-671)	
03	CAP	52406-MA1-611	001
04	CAP, AIR VALVE	52425-169-003	001
05	HOSE, RR. SHOCK	52432-MA1-003	001
06	METAL, BUSH	52452-MA1-611	005
07	COLLAR, BUSH	52453-MA1-731	001
08	ARM, SHOCK ABSORBER	52460-ME2-000	001
09	COLLAR	52462-MA2-000	002
10	RING B, STOPPER	52463-MC7-013	
	(replaces	52463-MC7-003)	001
11	ROD ASSY.	52470-ME2-000	001
12	CASE, GUIDE	52472-MC7-003	001
13	COLLAR, CONN ROD	52475-MA1-000	002
14	RING, BACK-UP	52477-MC7-013	
	(replaces	52477-MC7-003)	001
15	O-RING (14.5X1.5)	52478-MC7-003	002
15	O-RING (14.5X1.5)	91312-PC9-004	002
16	BUSH, SHOCK ABSORBER	52485-MA2-003	001
17	BOOT, RR. DAMPER	52611-MC7-003	001
18	BAND, BOOT	52612-MA2-003	001
19	BOLT, FLANGE (10X65)	90101-KBS-900	
	(replaces	90152-MA1-000)	003
20	BOLT, FLG (10X100)	90108-MR8-000	
	(replaces	90153-MA1-000)	001
21	BOLT, FLANGE (10X95)	90154-KW7-870	
	(replaces	90154-MA1-000)	
	(replaces	90187-MG7-003)	001
22	BOLT D, FLANGE	90189-MA2-003	001
23	NUT, AXLE (10MM)	90304-GA6-003	005
24	CLIP, HOSE	90662-MA1-003	001
25	OIL SEAL	91257-MC7-003	001
26	SEAL, RR.	91262-MA0-015	
	(replaces	91262-MA0-005)	
	(replaces	91262-MA0-013)	006
27	DUST SEAL	91262-MB2-005	

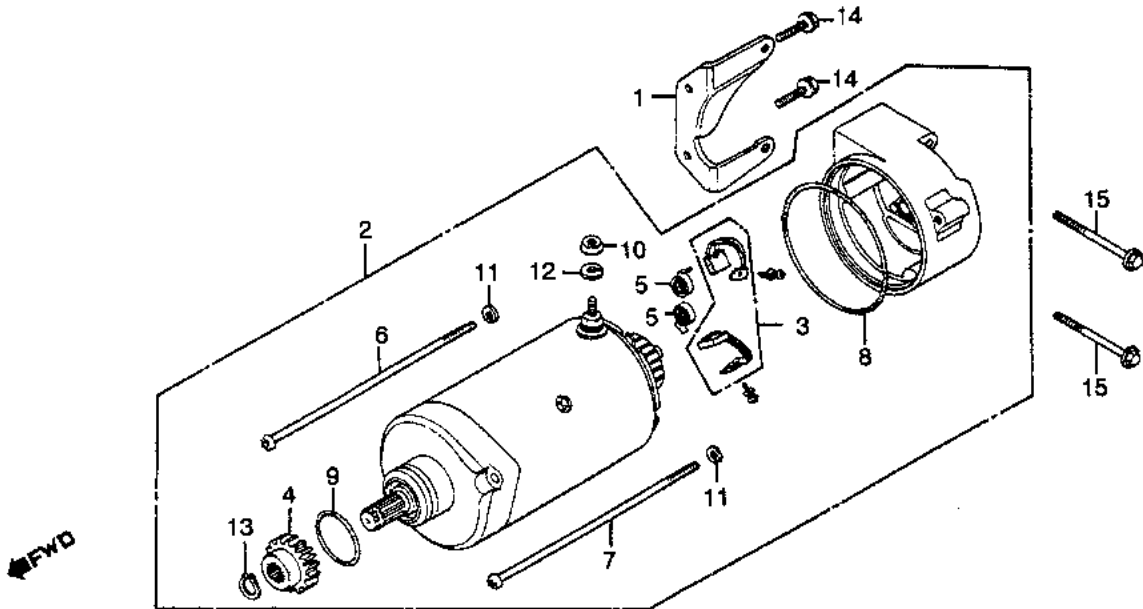
28	O-RING (5.8X1.9)	(replaces 91262-MA1-005)	002
		91305-323-000	
28	O-RING (5.6X1.9)	(replaces 91301-469-003)	002
		91318-ME5-003	002

Stand, Center & Side Stand



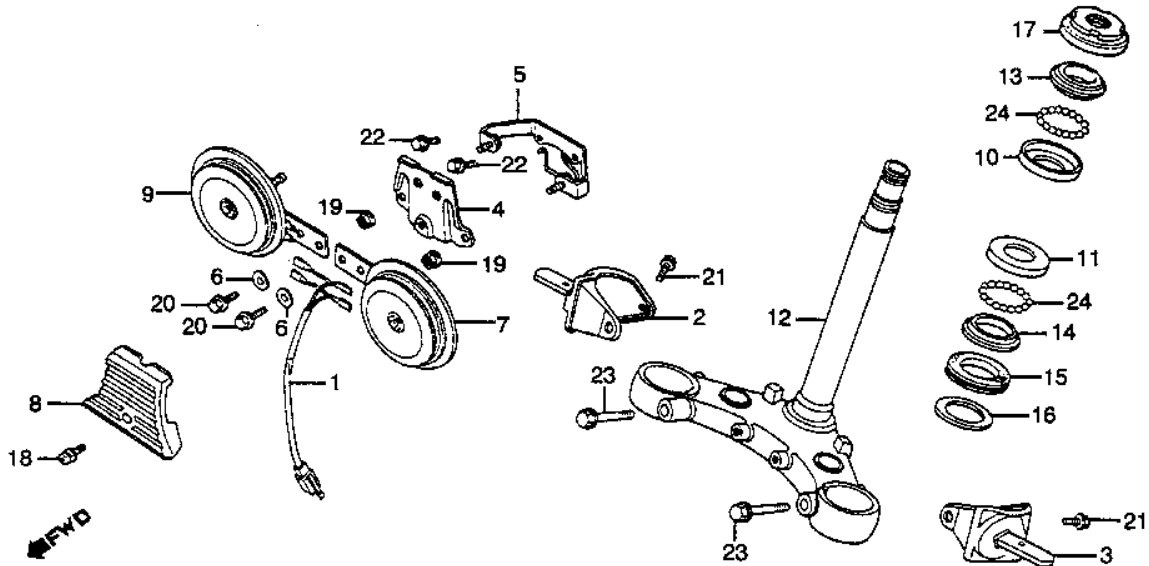
REF#	PART		#REQ
01	STAND, MAIN	50500-ME2-000	001
02	COLLAR, MAIN STAND	50503-MA1-000	002
03	STAND ASSY., SIDE	50540-ME2-000	001
04	RUBBER, STAND	50548-356-700	001
05	COLLAR	50549-356-700	001
06	BOLT	90108-223-000	001
07	NUT, HEX. (10MM)	94031-10000	001
08	SPRING J, MAIN STAND	95014-71902	001
09	SPRING D, SIDE STAND	95014-72402	001
10	BOLT, FLANGE (6X28)	95700-06028-00	001
10	BOLT, FLANGE (6X28)	95701-06028-00	001
11	BOLT, FLANGE (10X25)	95701-10025-08	
	(replaces	95800-10025-08)	
	(replaces	95801-10025-08)	002

Starter Motor



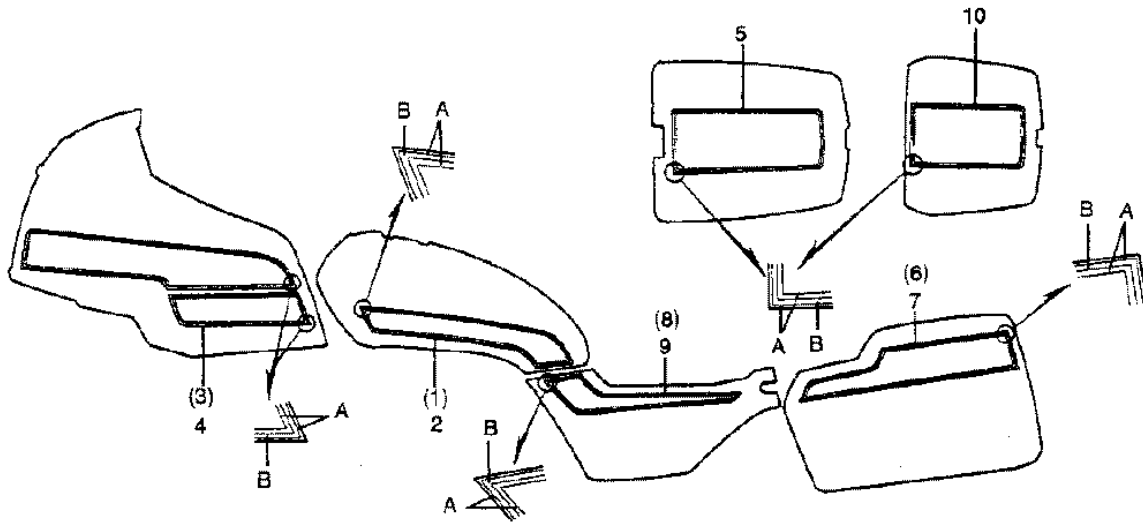
REF#	PART		#REQ
01	STAY, STARTER MOTOR	11312-415-000	001
02	MOTOR ASSY., STARTER	31200-449-405	
	(replaces 31200-449-008)		001
03	BRUSH SET, CARBON	31201-292-158	001
04	GEAR (27T)	31201-415-000	001
05	SPRING, CARBON BRUSH	31204-292-158	002
06	BOLT, START MTR CVR	31205-413-780	001
07	BOLT, START MTR CVR	31205-413-780	
	(replaces 31205-449-008)		001
08	O-RING (60X1.4)	31206-402-008	
	(replaces 31206-415-000)		001
09	O-RING (24.4X3.1)	91312-MG7-003	
	(replaces 91309-300-000)		
	(replaces 91309-425-003)		001
10	NUT, HEX. (6MM)	94002-06000-0S	
	(replaces 94002-06000)		001
11	WASHER, SPRING (5MM)	94111-05000	002
12	WASHER, SPRING (6MM)	94111-06000	001
13	CIRCLIP (11MM)	94510-11000	001
14	BOLT, FLANGE (6X18)	96001-06018-00	
	(replaces 96000-06018-00)		002
15	BOLT, FLANGE (6X35)	96001-06035-00	
	(replaces 96000-06035-00)		002

Steering Stem & Horns



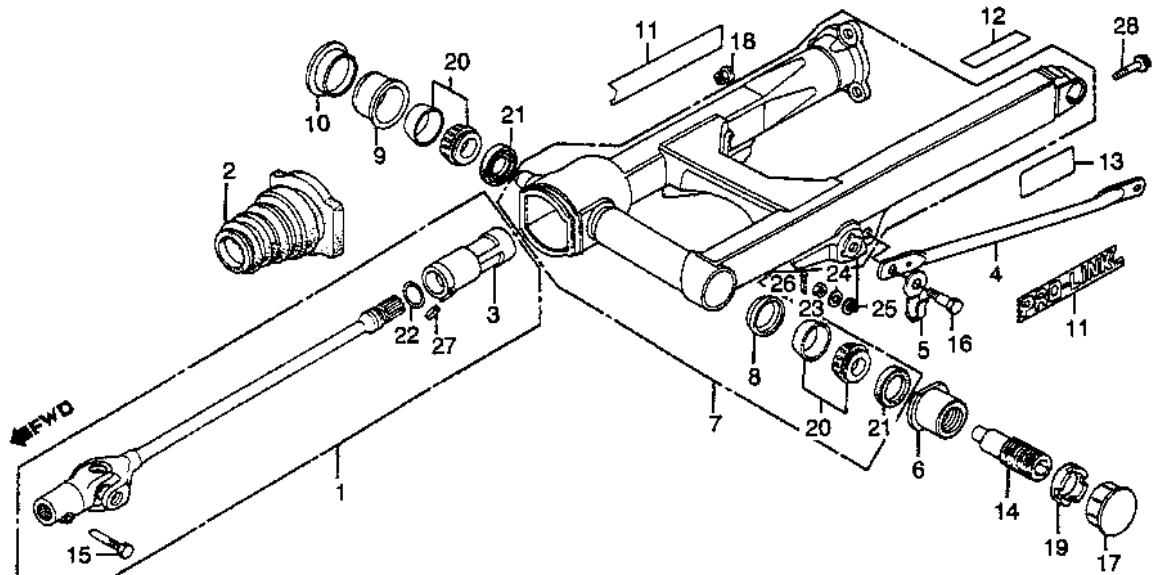
REF#	PART		#REQ
01	SUB-HARNESS, HORN	32102-ME2-000	001
06	WASHER, PLAIN (20MM)	38106-410-004	002
07	HORN (HIGH)	38110-GT8-621	
	(replaces 38110-ME2-004)		
	(replaces 38110-ME2-601)		001
09	HORN (LOW)	38120-438-601	001
09	HORN (LOW)	38120-ME2-004	001
10	RACE, STEERING BALL	50301-268-010	
	(replaces 50301-268-000)		001
11	RACE, STEERING BALL	50302-268-010	
	(replaces 50302-268-000)		001
12	STEM, STEERING	53200-MC5-000	001
13	RACE, STEERING CONE	53211-268-010	
	(replaces 53211-268-000)		001
14	RACE, STEERING CONE	53212-250-010	
	(replaces 53212-250-000)		001
15	DUST SEAL	53214-250-000	001
16	WASHER	53215-250-000	001
17	THREAD (UPPER)	53220-286-000	001
20	BOLT, FLANGE (6X12)	95701-06012-00	
	(replaces 95700-06012-00)		002
22	BOLT, FLANGE (6X16)	95701-06016-07	
	(replaces 95700-06016-07)		002
23	BOLT, FLANGE (10X35)	95701-10035-07	
	(replaces 95700-10035-07)		002
24	BALL (#8) (1/4)	96211-08000	037

Stripes (Decals)



REF#	PART		#REQ
01	STRIPE, R. (TYPE1)	87111-ME2-300ZA	001
01	STRIPE, R. (TYPE2)	87111-ME2-300ZB	001
02	STRIPE, L. (TYPE1)	87112-ME2-300ZA	001
02	STRIPE, L. (TYPE2)	87112-ME2-300ZB	001
03	STRIPE, R. (TYPE1)	87113-ME2-770ZA	001
03	STRIPE, R. (TYPE2)	87113-ME2-770ZB	001
04	STRIPE, L. (TYPE1)	87114-ME2-770ZA	001
04	STRIPE, L. (TYPE2)	87114-ME2-770ZB	001
06	STRIPE, R. (TYPE1)	87125-ME2-770ZA	001
06	STRIPE, R. (TYPE2)	87125-ME2-770ZB	001
07	STRIPE, L. (TYPE1)	87126-ME2-770ZA	001
07	STRIPE, L. (TYPE2)	87126-ME2-770ZB	001
08	STRIPE, R. (TYPE1)	87128-ME2-300ZA	001
08	STRIPE, R. (TYPE2)	87128-ME2-300ZB	001
09	STRIPE, L. (TYPE1)	87129-ME2-300ZA	001
09	STRIPE, L. (TYPE2)	87129-ME2-300ZB	001
10	STRIPE (TYPE2)	87135-ME2-770ZB	001

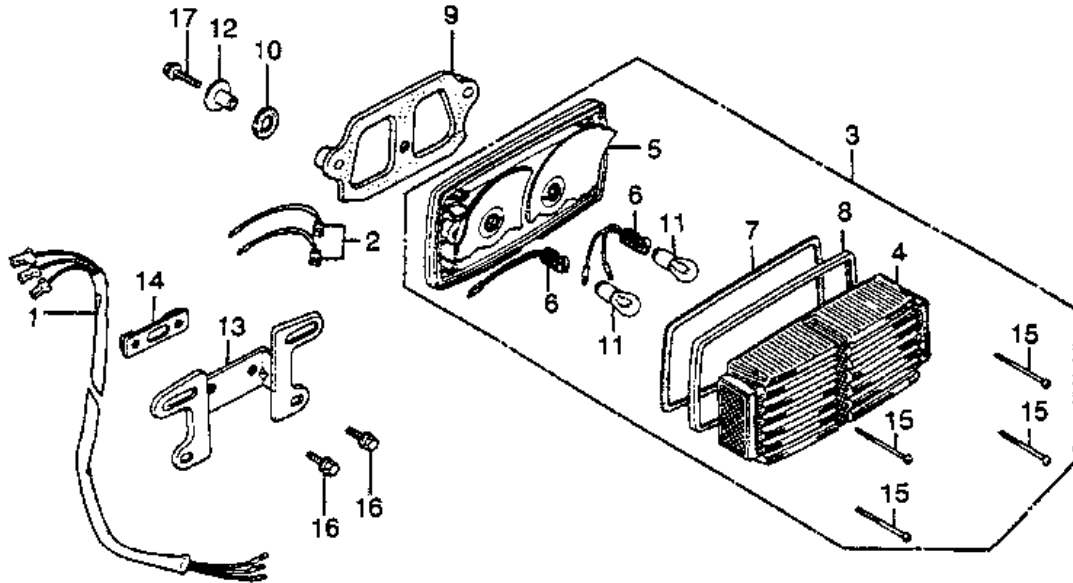
Swingarm & Driveshaft



REF#	PART		#REQ
01	SHAFT, DRIVE	40200-MC7-000	001
02	BOOT, JOINT	40207-MA1-000	001
03	JOINT, DRIVESHAFT	40210-415-010	001
04	ARM, RR.	43431-MA1-000	001
05	CLIP, CLUTCH CABLE	45469-399-000	001
06	NUT, SWINGARM PIVOT	50197-MA1-300	001
07	SWINGARM ASSY. *NH1*	52110-ME2-000	
	(replaces	52110-ME2-000ZA)	
08	HOLDER, RR.	52112-MA1-300	001
09	HOLDER	52115-MA1-000	001
10	CAP, SWINGARM PIVOT	52117-MA1-000	001
11	LABEL, PRO LINK	87133-MA1-000	002
12	LABEL	87504-028-670	001
13	LABEL, TIRE CAUTION	87505-ME2-770	001
14	BOLT, PIVOT	90121-MA1-000	001
15	BOLT, SPECIAL (8MM)	90127-415-000	001
16	BOLT, RR.	90133-MA1-000	001
17	CAP, LOCK NUT	90303-463-010	001
18	NUT, HEX. (10MM)	90308-357-000	003
19	NUT, SWINGARM PIVOT	90355-MA1-000	001
20	BEARING (30203J)	91066-MC7-004	
	(replaces	91066-MC7-003)	002
21	DUST SEAL (26X40X5)	91268-463-003	002
22	O-RING (22X1.7)	91359-415-300	001
23	NUT, HEX. (8MM)	94001-08000-0S	001
24	WASHER, PLAIN (8MM)	94101-08000	001
25	WASHER (10MM)	94111-10000	001
26	PIN, COTTER (2.0X35)	94201-20350	
	(replaces	94201-20180)	
	(replaces	94201-20200)	
	(replaces	94201-20250)	
	(replaces	94201-20280)	
	(replaces	94201-20320)	001
26	PIN, COTTER (2.0X22)	94201-29220	001
26	PIN, SPLIT (2.0X22)	94201-20220	001
27	PIN, SPRING (4X22)	94305-40222	001
28	BOLT, FLANGE (8X32)	95701-08032-00	

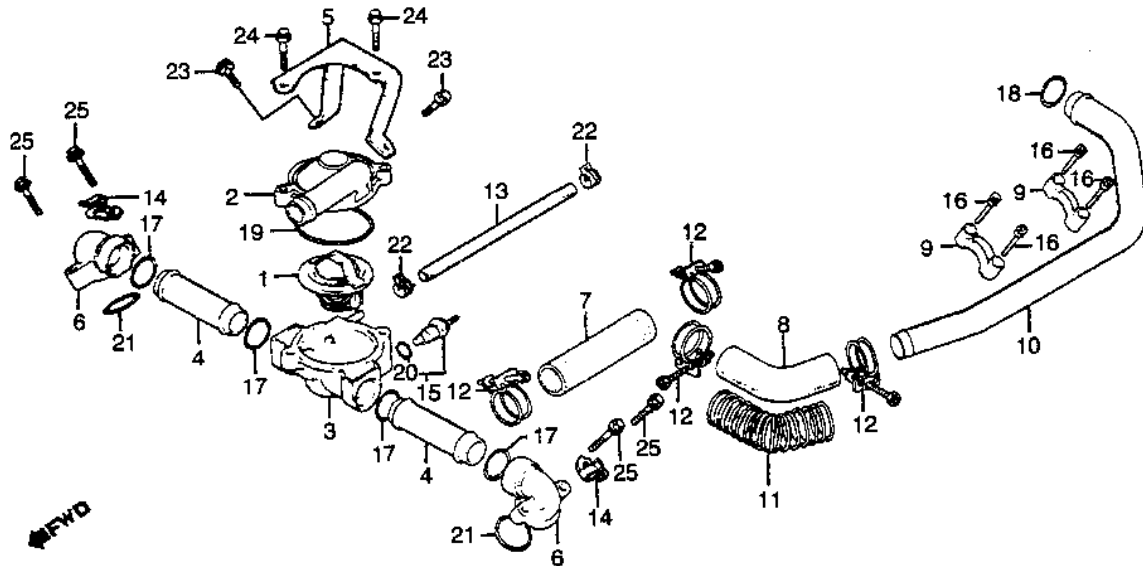
(replaces 95700-08032-00) 001

Tail Light



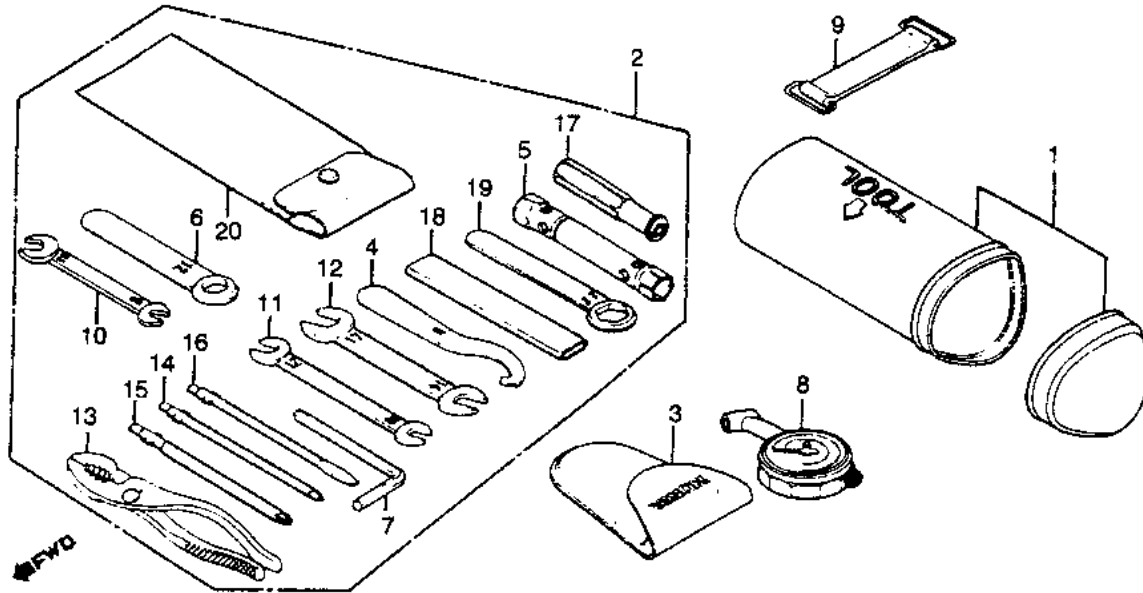
REF#	PART		#REQ
01	SUB-WIRE HARNESS	32101-MA1-000	001
03	TAILLIGHT UNIT	33701-MA1-670	001
04	LENS, TAILLIGHT	33702-422-671	001
05	BASE, TAILLIGHT	33703-MA1-670	001
06	CABLE, TAILLIGHT	33708-147-003	
	(replaces	33708-371-601)	002
07	GSKT, TAILLIGHT LENS	33709-422-003	001
08	RIM, TAILLIGHT	33710-422-003	001
09	RUBBER A	33715-MA1-000	001
10	RUBBER B	33716-MA1-000	002
11	BULB (12V27/7W)	34906-MG9-771	
	(replaces	34906-341-671)	002
12	COLLAR, FR. FENDER	61104-428-000	002
12	COLLAR, RR. FENDER	61105-428-000	002
13	BRKT, NUMBER PLATE	84701-MA1-670	001
14	PLATE	84702-MA1-000	001
15	SCREW, TAP (4X60)	90147-147-671	004
16	BOLT, FLANGE (6X14)	95701-06014-00	
	(replaces	95700-06014-00)	002
17	BOLT, FLANGE (6X25)	95700-06025-08	002
17	BOLT, FLANGE (6X25)	95701-06025-08	002

Thermostat & Cooling Pipes & Hoses



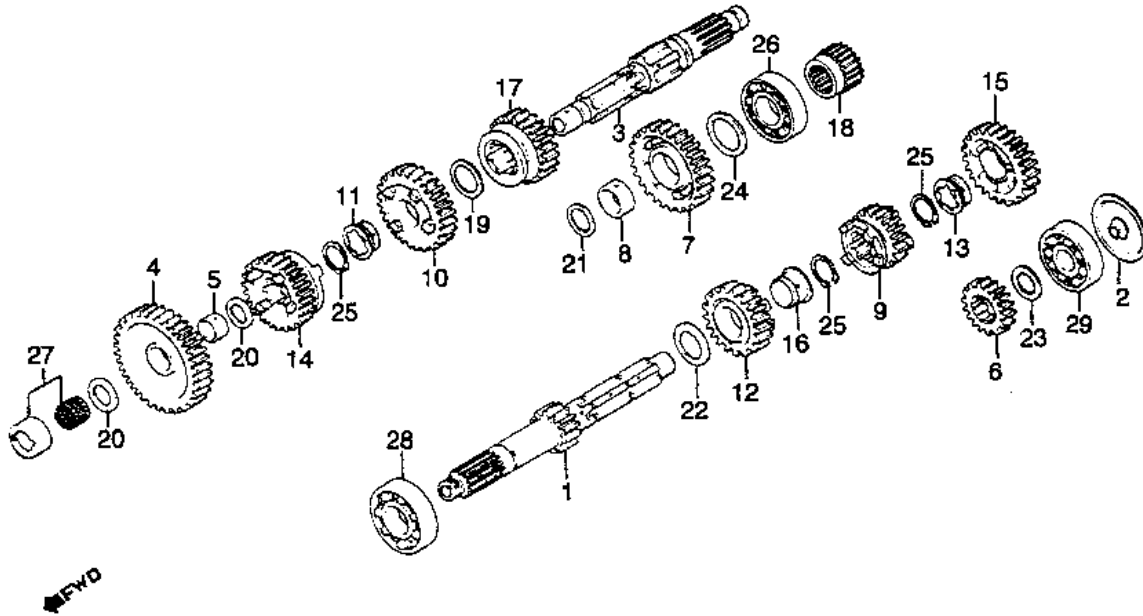
REF#	PART		#REQ
01	THERMOSTAT UNIT	19300-611-005	
		(replaces 19300-657-003)	001
02	COVER, THERMOSTAT	19315-MA1-000	001
03	CASE, THERMOSTAT	19411-415-000	001
04	PIPE, WATER (UPPER)	19414-ME2-000	002
05	STAY, THERMOSTAT	19418-ME2-000	001
06	JOINT A, WATER PIPE	19421-415-000	002
07	HOSE, WATER (UPPER)	19501-ME2-000	001
08	HOSE, WATER (LOWER)	19502-ME2-000	001
09	CLAMP, WATER PIPE	19503-ME2-000	002
10	PIPE, RR. WATER	19504-ME2-000	001
11	WIRE B, GUARD	19512-449-000	001
12	BAND, HOSE	19515-449-000	004
13	TUBE (5X225)	19521-ME2-000	001
14	CLIP, COIL WIRE	30753-ME2-000	002
15	SENDING UNIT	37750-611-154	001
16	BOLT, SPECIAL (5X22)	90089-415-000	004
17	O-RING (21.9X2.3)	91301-MB6-003	
		(replaces 91302-371-013)	
		(replaces 91302-371-023)	004
18	SEAL, WATER PIPE	91302-415-003	001
19	O-RING (53.8X3.1)	91302-657-000	001
20	O-RING (13.5X1.4)	91307-PH7-660	
		(replaces 91307-611-000)	001
21	O-RING (23X2.8)	94608-50000	002
22	CLIP, TUBE (D10.5)	95002-41050-08	002
23	BOLT, FLANGE (6X12)	95701-06012-00	
		(replaces 95700-06012-00)	002
24	BOLT, FLANGE (6X25)	95701-06025-00	
		(replaces 95700-06025-00)	002
25	BOLT, FLANGE (6X25)	96000-06025-00	004
25	BOLT, FLANGE (6X25)	96001-06025-00	004

Tools



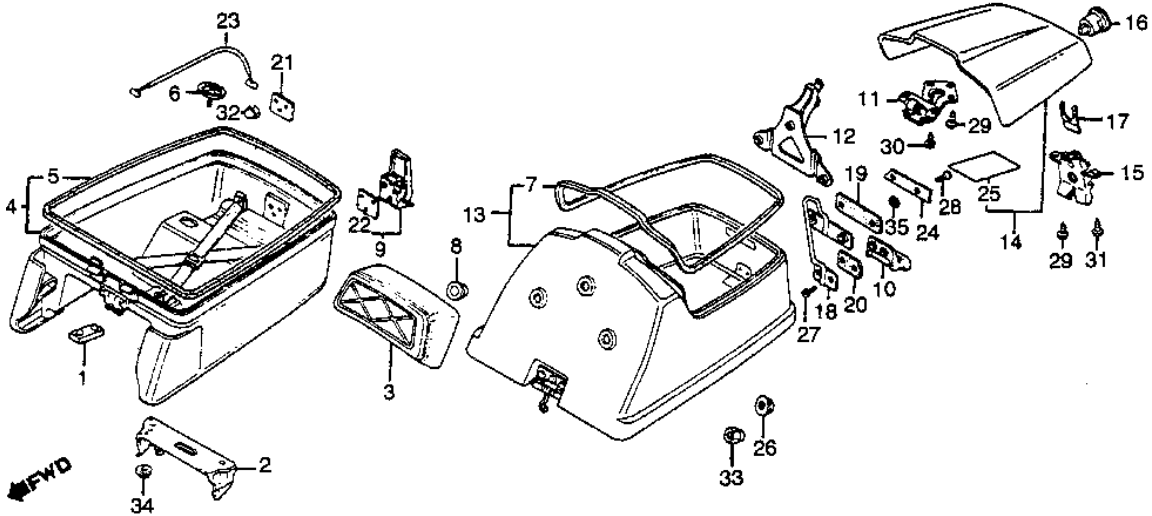
REF#	PART		#REQ
01	BOX, TOOL	83501-MA1-000	001
02	TOOL SET	89010-MC5-000	001
03	BAG, AIR PRES GA	89102-469-003	001
04	WRENCH, PIN	89215-404-670	001
05	WRENCH (18.5X17)	89216-415-000	001
06	WRENCH, EYE (12MM)	89217-415-000	001
07	WRENCH, HEX. (6MM)	89221-371-000	001
08	GAUGE, AIR PRESSURE	89301-MN5-003	001
	(replaces	89301-463-771)	001
09	BAND B1, BATTERY	95012-12001	001
	(replaces	95012-12000)	001
10	SPANNER (8X12)	99001-08120	001
11	SPANNER (10X12)	99001-10120	001
12	SPANNER (14X17)	99001-14170	001
13	PLIERS (135)	99002-13500	001
14	SCREWDRIVER 1 (NO.2)	99003-10000	001
15	SCREWDRIVER 2 (NO.3)	99003-20000	001
16	SCREWDRIVER 3 (NO.2)	99003-30000	001
17	GRIP	99003-50000	001
18	HANDLE (12MM)	99006-12000	001
19	WRENCH, EYE (22MM)	99006-22000	001
20	BAG, TOOL	89101-ME5-670	001
	(replaces	99008-02000)	001

Transmission



REF#	PART		#REQ
01	MAINSHAFT (16T)	23211-ME2-000	001
02	PLATE, OIL GUIDE	23219-415-000	001
03	COUNTERSHAFT, TRANS	23220-ME2-000	001
04	GEAR (40T)	23421-ME2-000	001
05	BUSH (20X24X11)	23422-MC7-000	001
06	GEAR (21T)	23431-MC7-000	001
07	GEAR (36T)	23441-MC7-000	001
08	BUSH (27.5X31X11.5)	23442-MC7-000	001
09	GEAR (25T)	23451-ME2-010	
	(replaces	23451-ME2-000)	001
10	GEAR (32T)	23461-MC7-000	
	(replaces	23461-ME2-000)	
	(replaces	23461-ME7-000)	001
11	BUSH (25X29X11.5)	23462-MC7-000	001
12	GEAR (28T)	23471-ME2-000	001
13	BUSH, SPLINE	23472-MC7-000	001
14	GEAR (29T)	23481-ME2-000	001
15	GEAR (31T)	23491-ME2-000	001
16	BUSH (25X29X15)	23492-MC7-000	001
17	GEAR (26T)	23501-ME2-000	001
18	COLLAR, COUNTERSHAFT	23522-415-000	001
19	WASHER (25.2X34)	90446-430-000	001
20	WASHER (20X1.00)	90454-428-000	002
21	WASHER (27.5MM)	90455-MC7-000	001
22	WASHER C (25MM)	90459-357-000	001
23	WASHER A (20MM)	90461-MC7-000	001
24	WASHER A (25MM)	90466-MC7-000	001
25	CIRCLIP (25MM)	90601-300-000	003
26	BEARING (6205)	91010-MC7-003	001
26	BEARING, RADIAL BALL	91021-KV3-771	001
27	BEARING (20X34X16.8)	91023-MM4-003	
	(replaces	91022-426-008)	001
28	BEARING (6305)	96100-63051-00	001
29	BEARING (6204U)	96140-62040-00	001

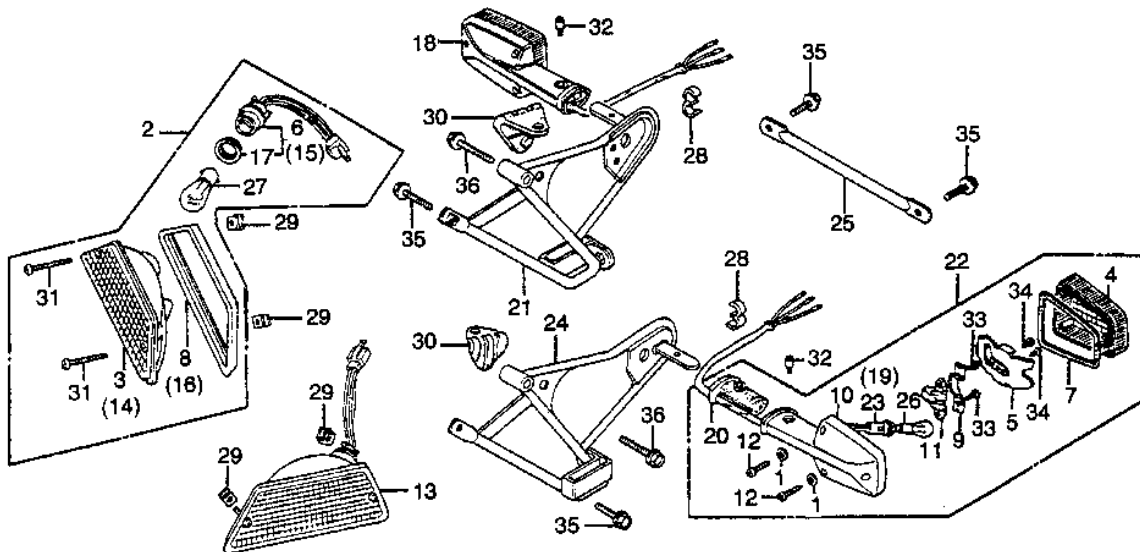
Trunk



REF#	PART		#REQ
01	RUBBER, SEAT SETTING	77204-MA1-730	002
02	PLATE, SEAT LOCK	77301-MA1-730	001
03	BACK, SEAT	77350-ME2-770	001
04	TRUNK *R114CU*	81110-ME2-770ZA	001
04	TRUNK *NH125MU*	81110-ME2-770ZB	001
05	RUBBER, TRUNK	81113-MA1-300	001
06	PLATE, RR. TRUNK	81115-MA1-730	002
07	GASKET, TRUNK LID	81121-MA1-770	001
08	SEAL, TRUNK (UPPER)	81131-463-770	003
09	LOCK ASSY., TRUNK	81135-MA1-003	001
10	HOOK, LOCK	81136-MA1-770	001
11	HINGE, TRUNK LID	81160-MA1-740	001
12	STOPPER, TRUNK LID	81161-ME2-770	001
13	TRUNK A, A *R114CU*	81171-ME2-770ZA	001
13	TRUNK A, A *NH125MU*	81171-ME2-770ZB	001
14	LID, TRUNK *R114CU*	81172-ME2-770ZA	001
14	LID, TRUNK *NH125MU*	81172-ME2-770ZB	001
15	BOX, LID LOCK	81180-MA1-740	001
16	LOCK, TRUNK LID	81190-MA1-741	001
17	SPRING	81192-MA1-740	001
18	HOOK, LID LOCK	81195-ME2-770	001
19	RUBBER, EMBLEM	81196-MA1-740	001
20	RUBBER	81197-MA1-740	001
21	PLATE, LOCK	81221-MA2-000	001
22	RUBBER, LOCK SEAL	81222-MA2-000	001
23	STOPPER, TRUNK	83118-MA1-300	001
24	EMBLEM, TRUNK	87123-MA1-740	001
25	LABEL	87520-ME2-770	001
26	NUT, FLANGE (6MM)	94050-06070	
	(replaces	90203-PD1-000)	001
26	NUT, FLANGE (6MM)	90301-428-900	001
27	SCREW, PAN (3X8)	93500-03008-0G	002
28	SCREW, PAN (3X10)	93500-03010-0G	002
29	SCREW, TAP (5X10)	93901-35180	004
30	SCREW, TAP (5X12)	93901-35280	003
31	SCREW, TAP (5X16)	93901-35380	002
32	NUT, CAP (4MM)	94021-04070-0S	003
33	NUT, CAP (6MM)	94021-06070-0S	
	(replaces	90301-KW8-900)	
	(replaces	94021-06070)	002

34	NUT, FLANGE (8MM)	94050-08080	002
35	WASHER, PLAIN (3MM)	94101-03000	002

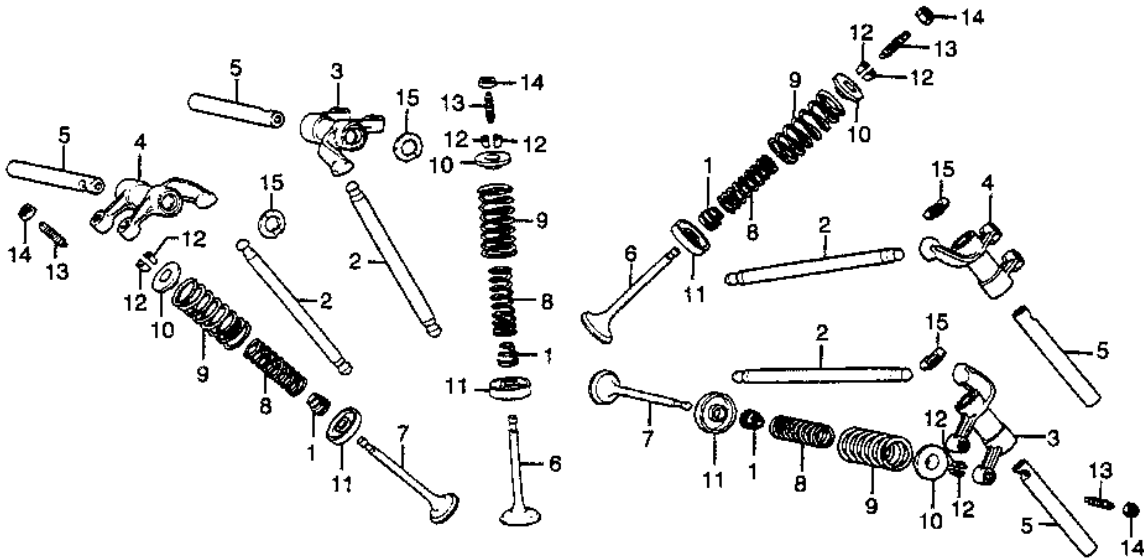
Turn Signals & Brackets



REF#	PART		#REQ
01	WASHER	33318-567-003	006
02	TURN SIGNAL ASSY.	33400-463-773	001
03	CASE, R. TURN SIGNAL	33401-463-773	001
04	LENS, TURN SIGNAL	33402-431-782	002
05	REFLECTOR	33403-431-782	002
06	SOCKET, R.	33405-463-771	001
07	GASKET	33406-431-781	002
08	GASKET, R.	33406-463-771	001
09	HOLDER, SOCKET	33407-431-781	002
10	BASE, TURN SIGNAL	33409-MA1-671	002
11	RUBBER, SOCKET	33411-431-782	002
12	SCREW, TAP (4X25)	33420-431-780	006
13	TURN SIGNAL ASSY.	33450-463-773	001
14	CASE, L. TURN SIGNAL	33451-463-773	001
15	SOCKET, L.	33455-463-771	001
16	GASKET, L.	33456-463-771	001
17	GASKET, SEAL	33518-SA2-003	002
18	TURN SIGNAL, R. RR.	33600-MA1-771	001
19	SOCKET, R. RR.	33605-MA1-770	001
20	RUBBER, RR.	33609-445-631	002
21	BRACKET, R. RR.	33610-MA1-770	001
22	TURN SIGNAL, R. RR.	33600-MA1-679	
	(replaces	33650-MA1-771)	001
23	SOCKET, L. RR.	33655-MA1-771	
	(replaces	33655-MA1-770)	001
24	BRACKET, L. RR.	33660-MA1-770	001
25	BAR, RR.	33661-MA1-770	001
26	BULB (12V23W32CP)	34905-268-671	002
27	BULB (12V23/8W)	34905-425-671	002
28	CLIP, FR.	45465-341-700	002
29	NUT	66872-671-000	004
30	RUB, RR. SADDLEBAG	81255-MA1-770	002
31	SCREW, PAN (4X25)	93500-04025-0A	
	(replaces	90192-377-671)	004
32	SCREW, OVAL (5X8)	90380-445-630	002
33	SCREW, TAPPING (4X8)	93901-24120	004
34	SCREW, TAPPING (3X6)	93901-32020	004
35	BOLT, FLANGE (6X16)	95701-06016-07	

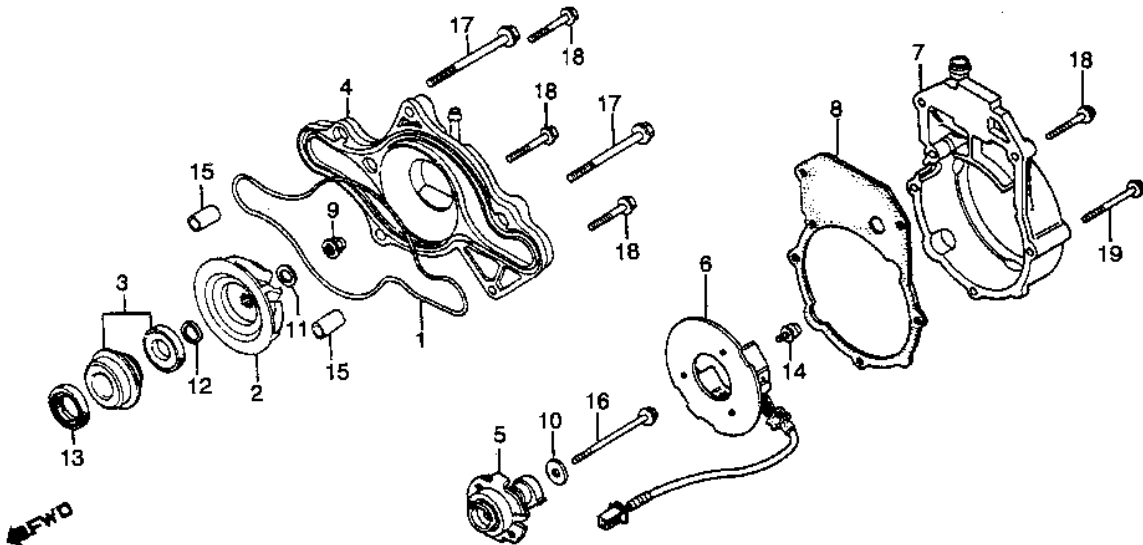
36 BOLT, FLANGE (6X45) (replaces 95700-06016-07) 004
95701-06045-07
(replaces 95700-06045-07) 002

Valves & Rocker Arms



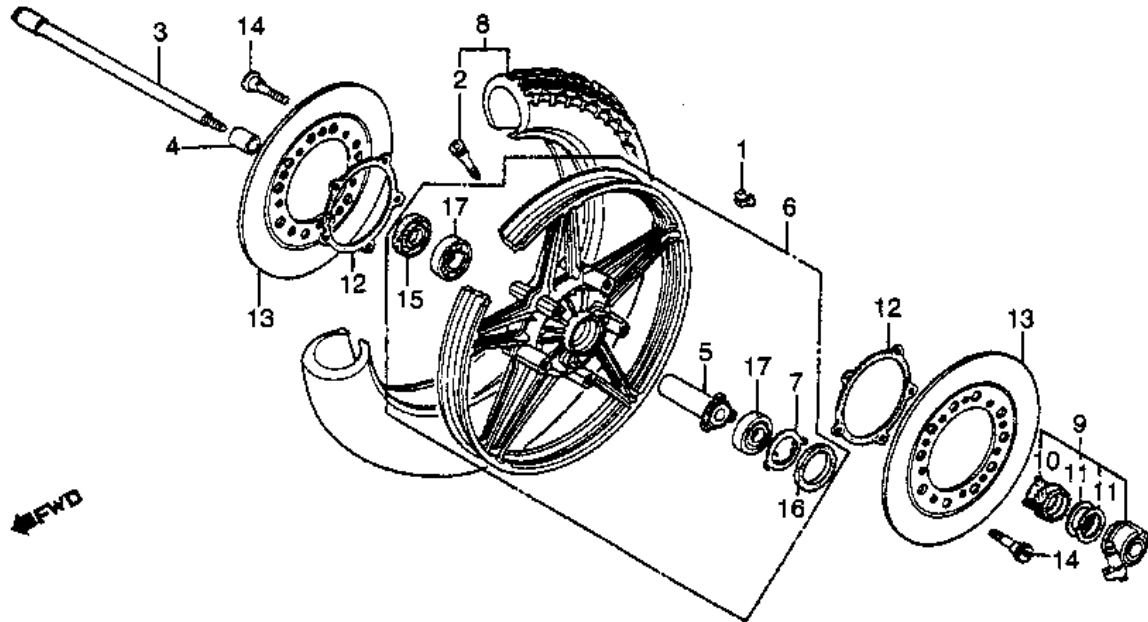
REF#	PART		#REQ
01	SEAL, VALVE STEM	12209-MB9-003	
		(replaces 12209-300-003)	008
02	ROD, PUSH	14410-ME2-000	004
03	ARM A, ROCKER	14420-ME2-000	002
04	ARM B, ROCKER	14430-MG0-000	
		(replaces 14430-ME2-000)	002
05	SHAFT, ROCKER ARM	14450-MG0-000	
		(replaces 14450-ME2-000)	004
06	VALVE, IN.	14711-ME2-000	004
07	VALVE, EX.	14721-415-000	004
08	SPRING, VALVE	14751-ME2-000	008
09	SPRING, VALVE	14761-415-005	008
10	RETAINER, VLV SPR	14771-551-020	008
11	SEAT, VALVE SPRING	14775-410-010	
		(replaces 14775-300-000)	008
12	COTTER, VALVE	14781-551-000	016
13	SCREW, TAPPET ADJ.	90012-414-000	008
14	NUT, TAPPET ADJ.	90206-590-000	008
15	WASHER, WAVE (1.5MM)	90405-415-000	004

Water Pump & Ignition Pulse Generator



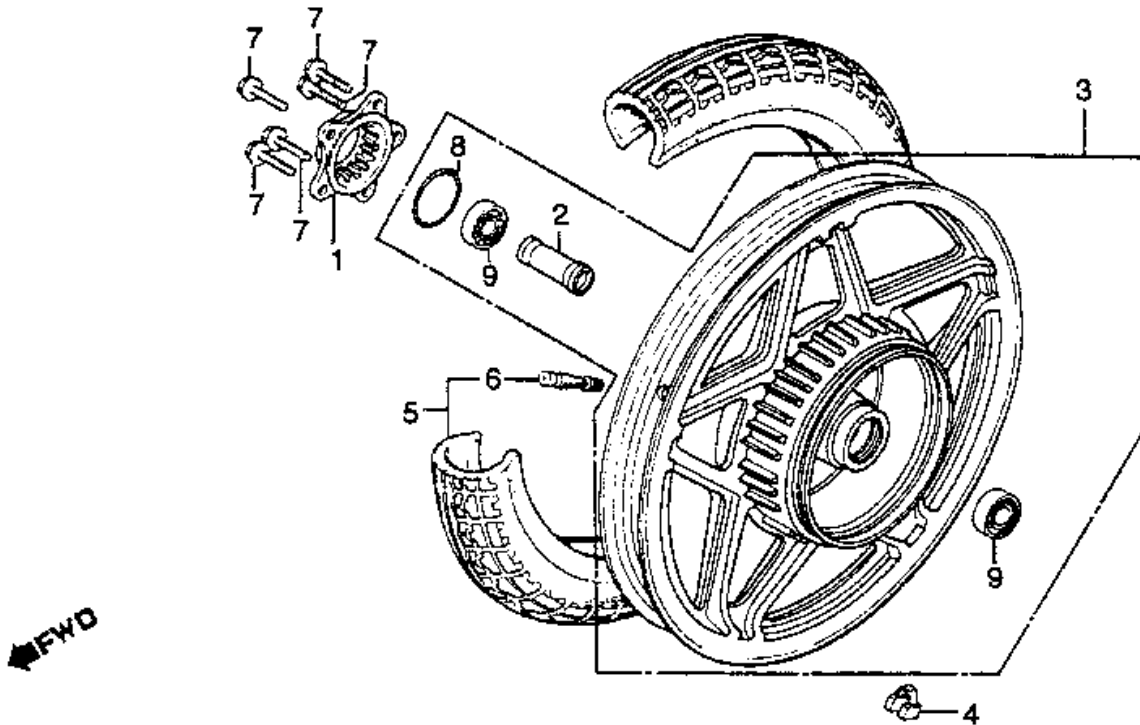
REF#	PART		#REQ
01	GASKET	11396-415-000	001
02	IMPELLER, WATER PUMP	19215-ME2-000	001
03	SEAL, MECHANICAL	19217-657-023	
		(replaces 19217-657-003)	
		(replaces 19217-657-013)	
04	COVER, WATER PUMP	19221-ME2-000	001
05	ADVANCER, SPARK	30220-ME2-000	001
06	GENERATOR, PULSE	30300-MG0-154	001
07	COVER, PULSER	30372-MC7-010	001
07	COVER, PULSER	30372-ME2-000	001
08	GASKET, PULSER COVER	30373-MC7-306	
		(replaces 30373-MC7-000)	
09	NUT, CAP (6MM)	90201-415-000	001
10	WASHER	90417-115-000	001
11	WASHER (6MM)	90441-706-000	001
12	WASHER (10MM)	90453-415-000	001
13	OIL SEAL (18X28X6)	91202-283-013	001
14	SCREW-WASHER (6X12)	93891-06012-00	002
15	PIN, DOWEL (10X16)	94301-10160	002
16	BOLT, FLANGE (6X60)	95701-06060-00	
		(replaces 95700-06060-00)	
17	BOLT, FLANGE (8X65)	95701-08065-00	
		(replaces 95700-08065-00)	
18	BOLT, FLANGE (6X25)	96000-06025-00	002
18	BOLT, FLANGE (6X25)	96001-06025-00	007
19	BOLT, FLANGE (6X40)	96001-06040-00	
		(replaces 96000-06040-00)	
			002

Wheel, Front & Brake Discs



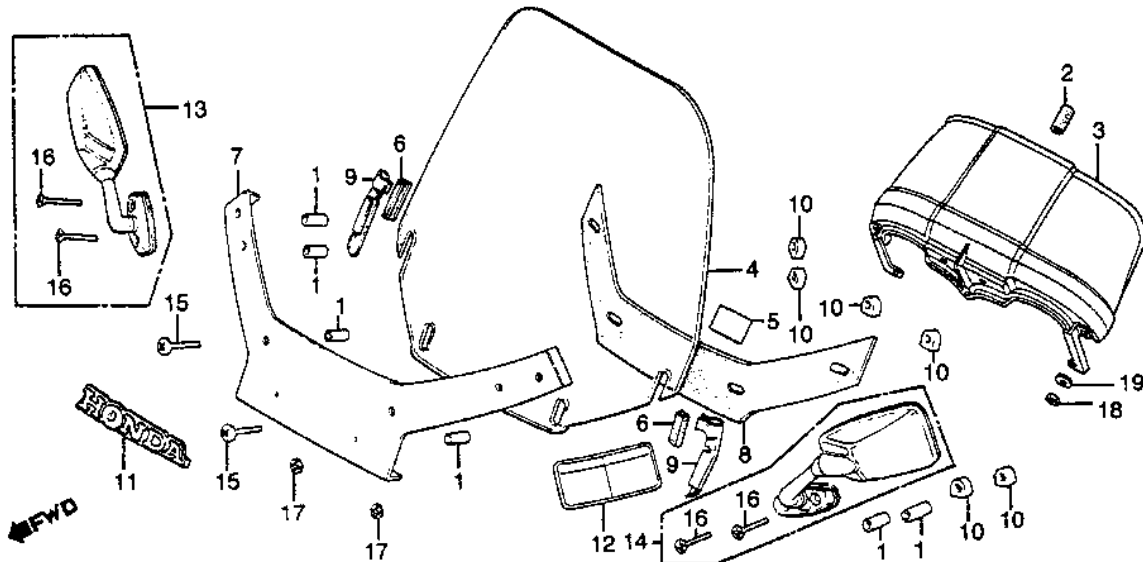
REF#	PART			#REQ
01	WEIGHT (10G)		42704-MB0-000	AR
01	WEIGHT, BALANCE (20)		42705-MCF-D60	AR
		(replaces	42705-MB0-000)	AR
01	WEIGHT, BALANCE (30)		42706-MCF-D60	AR
		(replaces	42706-MB0-000)	AR
02	VALVE, RIM		42753-425-003	
		(replaces	42753-425-004)	001
03	AXLE, FR. WHEEL		44301-KR3-901	
		(replaces	44301-MC5-000)	001
04	COLR, FR. WHEEL SIDE		44311-MC5-010	
		(replaces	44311-MB0-000)	
		(replaces	44311-MC5-000)	001
05	COLLAR, FR.		44620-MB0-000	001
06	WHEEL, FR.		44650-ME2-405	
		(replaces	44650-ME2-305)	001
06	WHEEL, FR.		44650-ME2-315	001
07	RETAINER, GEAR BOX		44680-410-000	001
08	TIRE (3.50H19) (4PR)		44710-445-632	
		(replaces	44710-422-672)	
		(replaces	44710-469-671)	001
08	TIRE (3.50H19) (4PR)		44710-ME2-671	
		(replaces	44710-ME2-672)	001
09	BOX ASSY.		44800-MB0-013	001
10	GEAR, SPEEDOMETER		44806-MB0-003	001
11	WASHER		44809-402-000	002
12	SHIM, DAMPING		45128-MB1-000	002
12	SHIM, DAMPING		45128-ME2-003	010
13	DISK, FR. BRAKE		45251-ME2-000	002
14	BOLT, FR. (8X33)		90105-MB0-010	
		(replaces	90105-MB0-000)	010
15	DUST SEAL (22X42X7)		91252-MC7-003	001
16	DUST SEAL (40X50X5)		91258-410-013	001
17	BEARING (6302UU)		96150-63020-10	002

Wheel, Rear



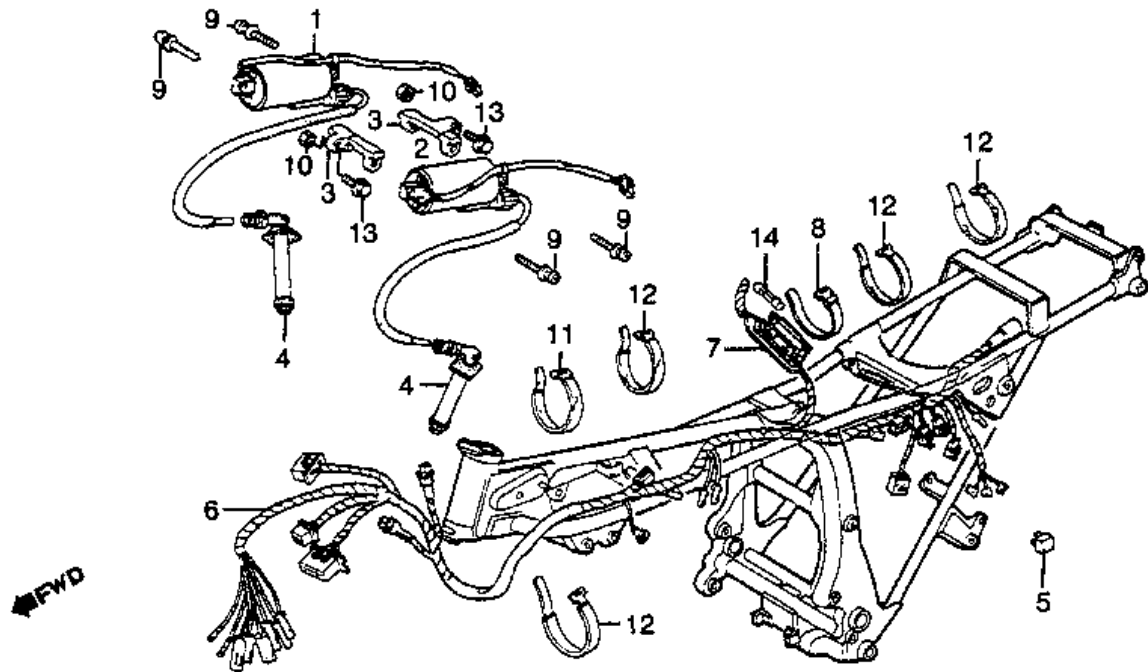
REF#	PART		#REQ
01	FLANGE, FINAL DRIVEN	42610-415-000	001
02	COLLAR, RR.	42620-ME2-000	001
03	WHEEL, RR.	42650-ME2-670	001
04	WEIGHT (10G)	42704-MB0-000	AR
04	WEIGHT, BALANCE (20)	42705-MCF-D60	
	(replaces	42705-MB0-000)	AR
04	WEIGHT, BALANCE (30)	42706-MCF-D60	
	(replaces	42706-MB0-000)	AR
05	TIRE (130/90-16)	42710-ME2-672	
	(replaces	42710-ME2-671)	001
06	VALVE, RIM	42753-425-003	
	(replaces	42753-425-004)	001
07	BOLT, SPROCKET	90128-402-000	005
08	O-RING (54X2.4)	91302-KF0-003	
	(replaces	91357-415-003)	001
09	BEARING (6303U)	96140-63030-10	002

Windscreen & Mirrors & Instrument Shroud



REF#	PART		#REQ
01	COLR, CONTROL VALVE	36052-657-300	006
02	CAP, RUBBER	37108-MA1-770	001
03	HOOD	37109-MA1-740	001
04	WINDSCREEN	64100-ME2-770	001
05	LABEL, SCREEN	64101-463-891	001
06	MOLDING, WINDSCREEN	64105-463-770	002
07	GARNISH, SCREEN	64110-463-770	001
08	CUSHION, SCREEN	64115-463-710	
	(replaces	64115-463-770)	001
09	CLIP, SCREEN MOLDING	64208-463-770	002
10	NUT, WINDSCREEN	64298-463-770	006
11	EMBLEM, FR. FAIRING	87110-463-770	001
12	LABEL	87522-463-890	001
13	MIRROR ASSY., R.	88120-ME2-601	
	(replaces	88120-ME2-770)	
	(replaces	88120-ME2-771)	001
14	MIRROR ASSY., L.	88130-ME2-601	
	(replaces	88130-ME2-770)	
	(replaces	88130-ME2-771)	001
15	BOLT, GARNISH MOUNT	90101-463-770	002
16	SCREW (6X35)	90186-463-770	004
17	NUT, SPEED (3MM)	90313-567-000	002
18	NUT, HEX. (6MM)	94001-06070-0S	002
19	WASHER, SPRING (6MM)	94111-06700	002

Wire Harness & Ignition Coils



REF#	PART		#REQ
01	COIL, R. IGNITION	30501-ME2-000	001
02	COIL, L. IGNITION	30502-ME2-000	001
03	STAY, IGNITION COIL	30505-MA1-000	002
04	CAP ASSY., PLUG	30700-ME2-000	002
05	RECTIFIER, SILICON	31700-124-003	001
	(replaces	31700-124-008)	
06	WIRE HARNESS	32100-ME2-000	001
07	CASE, FUSE (5A)	32125-463-770	001
08	BAND B1, CABLE	32161-404-000	001
09	SCREW-WASHER (5X25)	93891-05025-08	004
10	NUT, FLANGE (6MM)	94050-06080	002
11	BAND B1, CABLE	32161-404-000	001
	(replaces	95014-61100)	
12	BAND A2, CABLE	95014-61200	006
13	BOLT, FLANGE (6X25)	95725-06025-08	002
14	FUSE B (5A)	98200-20500	002