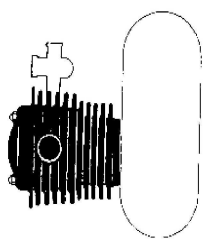


INDEX

INDEX

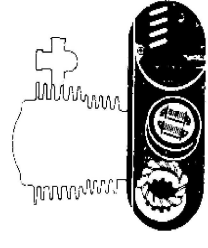
INDEX

<p>BLOCKINDEX</p>	<p>INDEX DES BLOCS</p>	<p>BLOCK INDEX</p>
<p>EINFÜHRUNG (Verwendung dem Teile-Katalog)</p>	<p>INSTRUCTIONS (Mode d'emploi du catalogue de pièces)</p>	<p>INSTRUCTIONS (Use of parts catalogue)</p>
<p>MOTORGRUPPE</p>	<p>GROUPE MOTEUR</p>	<p>ENGINE GROUP</p>
<p>RAHMENGRUPPE</p>	<p>GROUPE CADRE</p>	<p>FRAME GROUP</p>
<p>TEILE-Nr. INDEX</p>	<p>INDEX DE N° DE PIECE</p>	<p>PART No. INDEX</p>



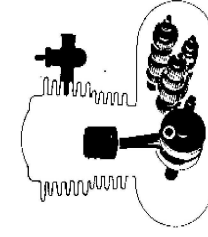
E-1 Radiator · Kühler
 E-2 Thermostat · Wasserrohr
 E-3 Cylinder head cover
 E-4 Right cylinder head
 E-5 Left cylinder head
 E-6 Valve · Upper rocker arm
 E-7 Camshaft · Lower rocker arm

C 2
 C 4
 C 5
 C 6
 C 7
 C 8
 C 9



E-8 Clutch cover · Oil filter
 E-9 Transmission cover
 E-10 Clutch
 E-11 Oil pump · Primary drive gear
 E-12 Water pump
 E-13 Starting motor
 E-14 Rear cover
 E-15 Generator
 E-16 Cam chain · Tensioner
 E-17 Final shaft
 E-18 Cylinder block

C 10
 C 11
 C 12
 C 13
 C 14
 C 15
 C 16
 D 1
 D 2
 D 3
 D 4



E-19 Oil pan
 E-20 Crankshaft · Piston
 E-21 Transmission
 E-22 Shift drum · Shift fork
 E-23 Carburetor
 EOP-1 Gasket Ket A
 EOP-2 Gasket Ket B

D 6
 D 7
 D 9
 D 11
 D 13
 D 16
 E 1

E-1 Radiateur · Ventilateur
 E-2 Thermostat · Tuyau d'eau
 E-3 Couvercle de culasse
 E-4 Culasse droit
 E-5 Culasse gauche
 E-6 Soupape · Culbuteur supérieur
 E-7 Arbre à cames · Culbuteur inférieur

C 2
 C 4
 C 5
 C 6
 C 7
 C 8
 C 9

E-8 Couvercle d'embrayage · Filtre à huile
 E-9 Couvercle de transmission
 E-10 Embrayage
 E-11 Pompe à huile · Pignon commande primaire
 E-12 Pompe à eau
 E-13 Moteur démarrage
 E-14 Couvercle arrière
 E-15 Générateur
 E-16 Chaîne de cames · Tendeur
 E-17 Arbre final
 E-18 Bloc moteur

C 10
 C 11
 C 12
 C 13
 C 14
 C 15
 C 16
 D 1
 D 2
 D 3
 D 4

E-19 Carter
 E-20 vilebrequin · Piston
 E-21 Transmission
 E-22 Tambour de changement de vitesse · Fourchette de changement
 E-23 Carburateur
 EOP-1 Trousse de joint A
 EOP-2 Trousse de joint B

D 6
 D 7
 D 9
 D 11
 D 13
 D 16
 E 1

E-1 Kühler · Kühlgebläse
 E-2 Thermostat · Wasserrohr
 E-3 Zylinderkopfschale
 E-4 Rechter Zylinderkopf
 E-5 Linker Zylinderkopf
 E-6 Ventil · Oberer Kipphebel
 E-7 Nockenwelle · Unterer Kipphebel

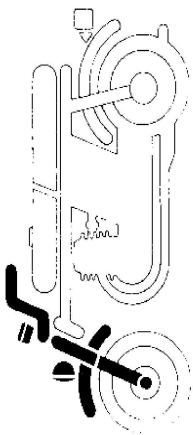
C 2
 C 4
 C 5
 C 6
 C 7
 C 8
 C 9

E-8 Kupplungsdeckel · Ölfilter
 E-9 Getriebedeckel
 E-10 Kupplung
 E-11 Ölpumpe · Primäres Antriebszahnrad
 E-12 Wasserpumpe
 E-13 Anlassermotor
 E-14 Hinterdeckel
 E-15 Lichtmaschine
 E-16 Steuerkette · Spanner
 E-17 Endwelle
 E-18 Zylinderblock

C 10
 C 11
 C 12
 C 13
 C 14
 C 15
 C 16
 D 1
 D 2
 D 3
 D 4

E-19 Ölwanne
 E-20 Kurbelwelle · Kolben
 E-21 Getriebe
 E-22 Schaltwalze · Schaltgabel
 E-23 Vergaser
 EOP-1 Dichtung Satz A
 EOP-2 Dichtung Satz B

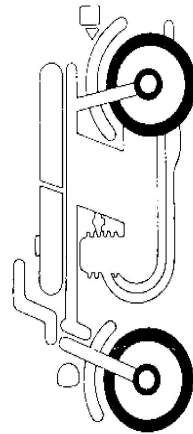
D 6
 D 7
 D 9
 D 11
 D 13
 D 16
 E 1



F-1 Headlight
 F-2 Meter
 F-3 Handle lever · Switch · Cable
 F-4 Front brake master cylinder
 F-5 Handle pipe · Top bridge
 F-6 Steering stem
 F-7 Front fender
 F-8 Front fork

F-1 Phare
 F-2 Compteurs
 F-3 Levier de poignée · Interrupteur · Câble
 F-4 Maître cylindre de frein avant
 F-5 Guidon · Haut de fourche
 F-6 Tige de direction
 F-7 Garde-boue avant
 F-8 Fourche avant

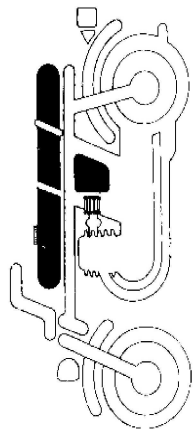
F-1 Scheinwerfer
 F-2 Messer
 F-3 Lenkstangenhebel · Schalter · Kabel
 F-4 Vorderradbremse Hauptzylinder
 F-5 Lenkrohr · Obere Brücke
 F-6 Steuerkopfschaft
 F-7 Vorderer Kotflügel
 F-8 Vordergabel



F-9 Front brake caliper
 F-10 Front wheel · Disk
 F-11 Rear brake caliper
 F-12 Rear brake master cylinder
 F-13 Rear wheel
 F-14 Final driven gear

F-9 Etrier de frein avant
 F-10 Roue avant · Disque
 F-11 Etrier de frein arrière
 F-12 Maître cylindre de frein arrière
 F-13 Roue arrière
 F-14 Engrenages de réduction finale

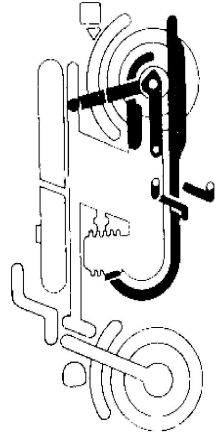
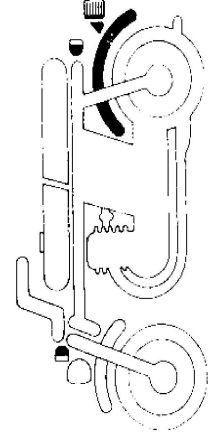
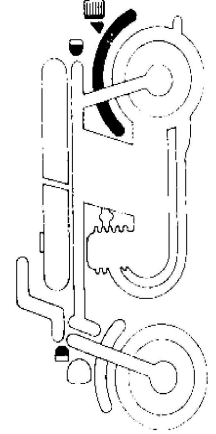
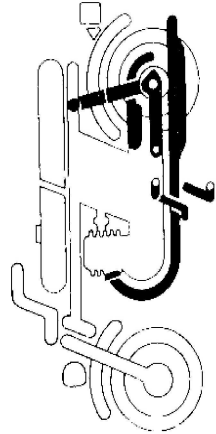
F-9 Vorderradbremssattel
 F-10 Vorderrad · Brems Scheibe
 F-11 Hinterradbremssattel
 F-12 Hinterradbremse-Hauptzylinder
 F-13 Hinterrad
 F-14 Endabtriebsgetriebe

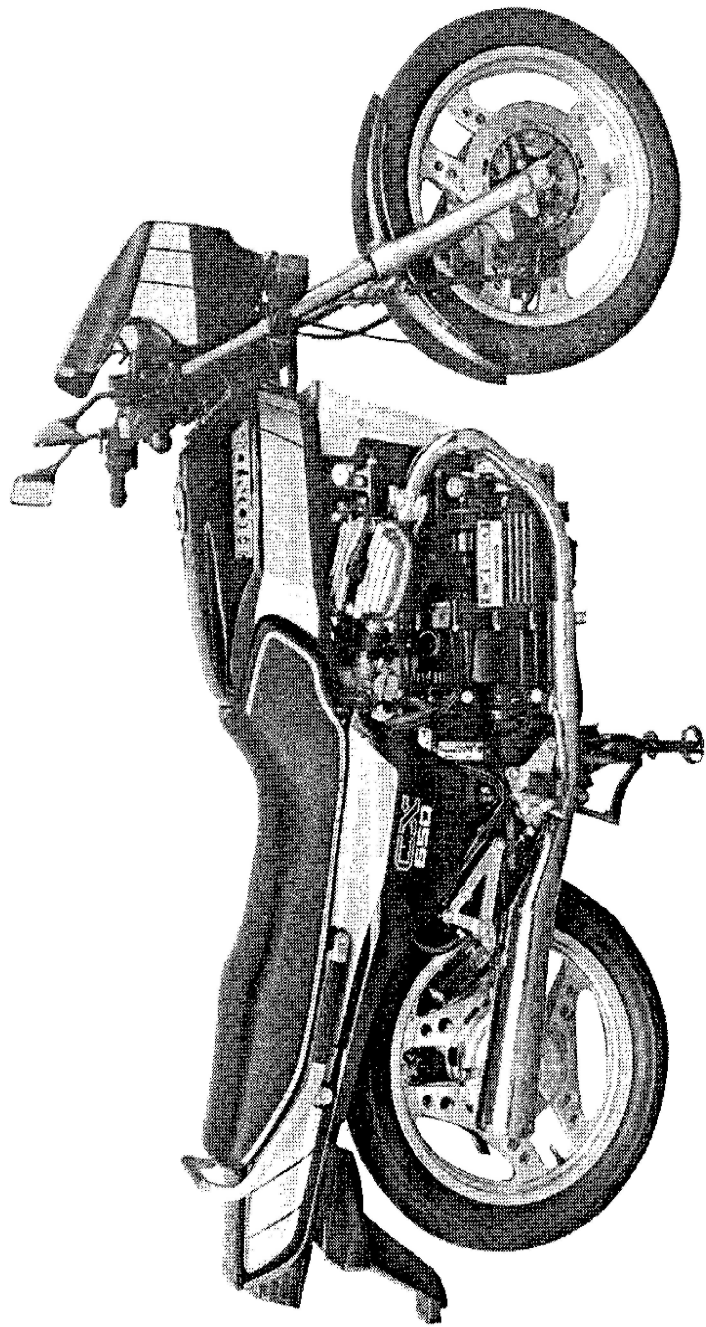


F-15 Fuel tank
 F-16 Seat
 F-17 Side cover · Battery
 F-18 Electric plate
 F-19 Air cleaner

F-15 Réservoir d'essence
 F-16 Siège
 F-17 Couvercle latéral · Batterie
 F-18 Plaque électrique
 F-19 Filtre à air

F-15 Benzintank
 F-16 Sitz
 F-17 Seitendeckel · Batterie
 F-18 Elektrische platte
 F-19 Luftfilter

	<p>F-20 Exhaust muffler H 7 F-21 Brake pedal · Change pedal H 9 F-22 Step H10 F-23 Stand H12 F-24 Rear fork H13 F-25 Rear cushion H15</p>		<p>F-26 Rear fender 1 F-27 Winker 3 F-28 Taillight 6</p>	<p>F-29 Wire harness · Ignition coil 7 F-30 Radiator shroud · Reserre tank 8 F-31 Frame body 10 F-32 Tool 11 F-33 Headlight cover 12 F-34 Color chart 13</p>
	<p>F-26 Gard-boue arrière 1 F-27 Clignotant 3 F-28 Feu arrière 6</p>	<p>F-29 Faisceau électrique · Bobine d'allumage 7 F-30 Buse de radiateur · Réservoir 8 F-31 Cadre 10 F-32 Outils 11 F-33 Phare supérieur 12 F-34 Table de couleur 13</p>		
	<p>F-26 Auspufftopf H 7 F-21 Bremspedal · Schaltpedal H 9 F-22 Tritt H10 F-23 Ständer H12 F-24 Hintere Schwinge H13 F-25 Hinterer Stoßdämpfer H15</p>	<p>F-26 Hinterer Kotflügel 1 F-27 Rinker 3 F-28 Rücklicht 6</p>	<p>F-29 Kabeilbaum · Zuundspule 7 F-30 Kühlerhaube · Reservetank 8 F-31 Rahmen 10 F-32 Werkzeug 11 F-33 Scheinwerferdeckel 12 F-34 Farbentabelle 13</p>	



CX650E_D-ED

INSTRUCTION FOR USE OF PARTS CATALOGUE

This parts catalogue is compiled all service parts and flat rate time (F.R.T.) for model CX650EB.

The languages used in this parts catalogue are arranged in alphabetical order in English. (English-French-German)

I. How to order parts

1. Information required

Replacement parts orders must contain both the **part number** and the **stamped number(s)** as described below. This is because any changes and modifications of parts are registered at HONDA with the pertinent parts and stamped numbers.

Numbers needed :

- (a) Carburetor parts : Part number and Stamped carburetor identification number
- (b) Engine parts : Part number and Stamped engine number
- (c) Frame parts : Part number and Stamped frame number
- (d) Final driven gear parts : Part number and Stamped final driven gear number

2. Revisions

When modifications or additions to this parts catalogue are made, a revised edition will be issued at an appropriate time, with successively progressing revision numbers on the cover. We recommend obtaining such revisions in order to keep your parts catalogue up-to-date at all times. To check whether a parts catalogue revision has been issued, please contact your HONDA distributor.

II. How to read this parts catalogue

1. Make-up of the part number

(Example) General parts
 ○ ○ ○ ○ ○ - ○ ○ ○ ○ - ○ ○ ○ ○ - ○ ○ ○ ○
 Function and Model Color code
 component No. code No. Subcontractor designation
 Modification designation

(Example) Bolts, nuts and other standard parts

○ ○ ○ ○ ○ - ○ ○ ○ ○ ○ - ○ ○ ○ ○ ○ - ○ ○ ○ ○ ○
 Function and Dimension Chemical surface treatment
 type No. ISO

2. Color code

The color code at the end of the part number indicates the color. Codes below ZA in alphabetical order (such as ZA, ZB, ZC, etc.) do not indicate the color directly, but reference must be made to the HONDA code given in the "Description" column of this parts catalogue.

Color code	Color description
HONDA code	
A-03	Silver
NH-1	Black
NH105	Mat black
NH-121P-A	Peal shell white
R-124C-U	Candy alamoana red-U

3. Abbreviations

The following abbreviations are used in this parts catalogue.

ASSY.	Assembly	KPH	Kilometers per hour
COMP.	Complete	MPH	Miles per hour
R.	Right	L (100L)	Link (100Links)
L.	Left	A.C.	Alternating current
STD.	Standard	D.C.	Direct current
MM	Millimeter	IN.	Inlet
G	Gram	EX.	Exhaust
T (22T)	Tooth (22Teeth)	FR.	Front
A	Ampere	RR.	Rear
V	Volt	HEX	Hexagonal
W	Watt	A.M.	Attaching mark
		T.M.	Transcript mark

4. Dimensions

All dimensions are given in millimeters (mm) except in the case of steel balls, tires and tire tubes.

Parts	Example	Interpretation
Bolt (Screw)	6 x 12	6mm diameter, 12mm length
Pin	8 x 14	8mm diameter, 14mm length
O-Ring	9.5 x 1.6	9.5mm diameter, 1.6mm thickness
Oil seal	14 x 24 x 5	14mm inside diameter, 24mm outside diameter, 5mm thickness
Tube	5 x 130	5mm inside diameter, 130mm length

5. Supersedence of parts

Part numbers given under the part name in the "Description" column indicate that the part number has been superseded by that part number. HONDA may make such supersedence without notice.

6. Assemblies

Sections framed with broken lines in the exploded view drawings are available as complete assemblies. (Their individual parts can also be obtained.)

7. Required quantity

The number given in the "Reqd. No." column indicates the quantity of parts used in the section described in that block. Parts with quantities in () represent optional parts. "N" means order as needed.

8. Part modifications and applicable serial numbers

In cases where a part has been modified, the serial number of the first vehicle (or frame, engine, carburetor, final driven gear) bearing the modification is listed in the "Serial No." column.

9. Color label

When you place an order of colored parts, please specify the part number from the list below.

The parts marked with/are given fixed part number.

Model		CX650Eb	
Name of colored parts	Color (Main color)	NH-1	NH-121P-A
Tank set, Fuel			R-124C-U
Fender COMP., FR.			
Cover COMP., Headlight			
Cover ASSY., R/L side		NH-1	NH-121P-A
Cover, seat cowl			
Cowl ASSY., RR.			
Body COMP., Frame			NH-1
Stem COMP., Steering			NH-105
Stripe, R/L Fuel tank		Type 2	Type 1
Stripe, R/L Side cover		Type 2	Type 3
Stripe, R/L RR cowl		Type 2	Type 5
Stripe, R/L Headlight cover		Type 2	Type 3
Mark, side cover		Type 2	Type 1
Mark, headlight cover		Type 2	Type 3
Mark, R/L Fuel tank			
Mark, Drive caution		Silver	Silver
Label, FR. Fork caution			
Fork ASSY., RR			

10. Models, area codes and applicable serial numbers

Models, area codes and applicable serial Nos. given in this parts catalogue can be identified as follows

Parts with area codes are exclusive for models destined for countries designated

If no area codes are listed, parts are for common use

Model	Area code	Type	Applicable engine serial No.	Applicable frame serial No.	Applicable carburetor identification No.
CX650Ec	CM	Canada	RC12E-2000014~	RC120*DM000013~	VB2AD [A] ~
	G2	Germany (#2)	RC10E-3000004~	RC12-3000002~	VB2BC [A] ~
	ED	European direct sales	RC10E-2002024~	RC12-2000009~	VB2BA [A] ~
	E	England			
	G1	Germany			
	F	France			
	U	Australia			
	IT	Italy			
	SA	South africa			
	SW	Switzerland			
	ND	North europe			
	B	Belgium			
AR	Austria				
SD	Sweden				

These types are not yet produced.

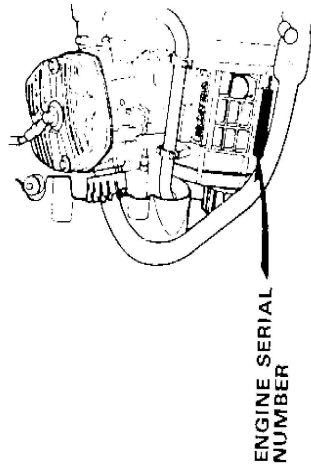
*1: Full power type

*2: 27PS type

* Of carburetor identification numbers, only the portions underlined in the example below are used for registration

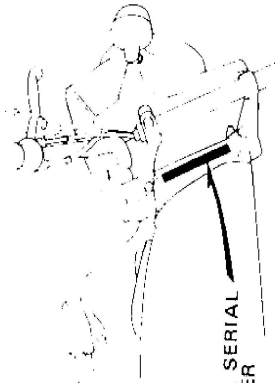
VB2AD [A] KC 7

11. Location of stamped serial number



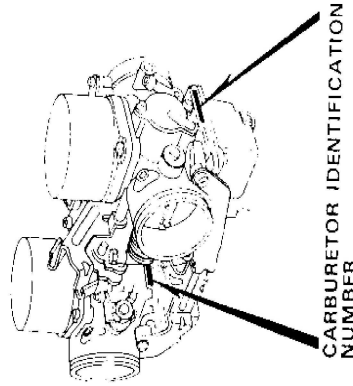
ENGINE SERIAL NUMBER

BA15-0A



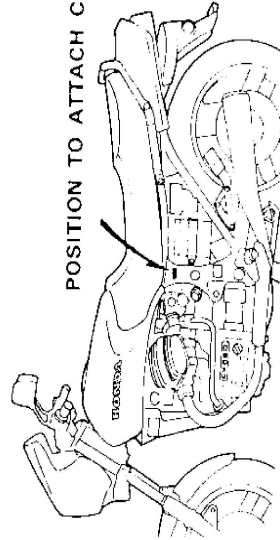
FRAME SERIAL NUMBER

BA15-0B



CARBURETOR IDENTIFICATION NUMBER

BME2-0A



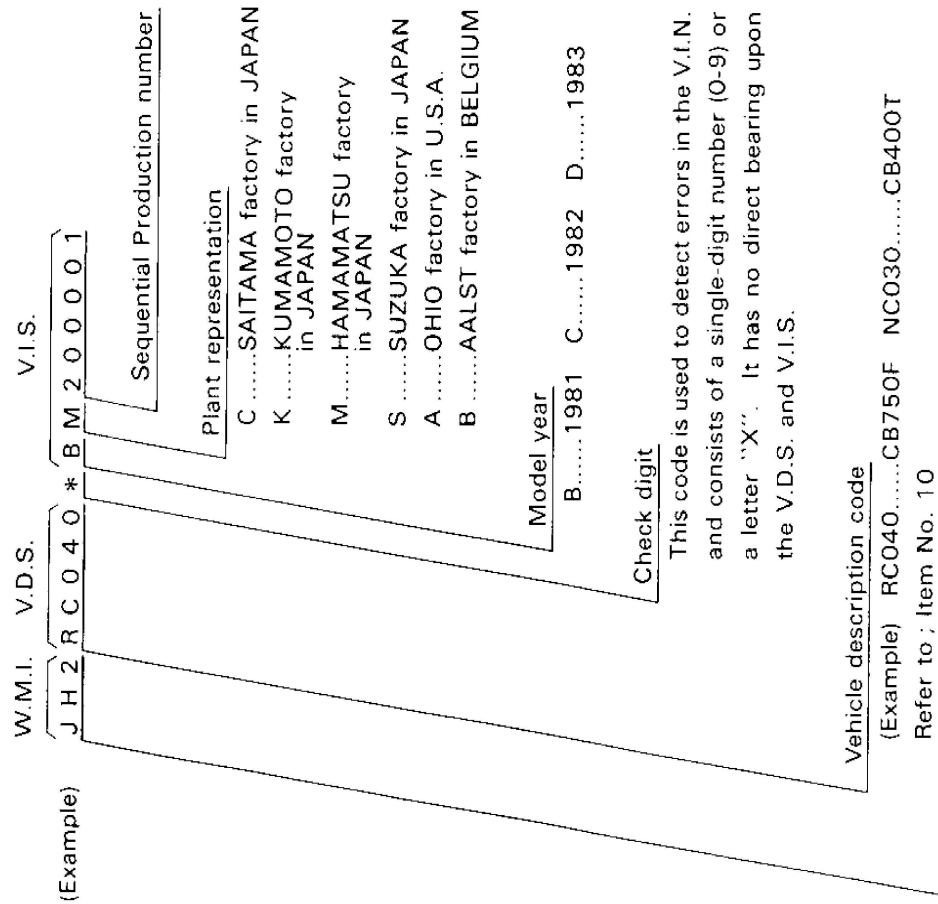
POSITION TO ATTACH COLOR LABEL

BMC5-0A

12. Construction of vehicle identification number (V.I.N.)

W.M.I.World manufacturer identifier
 V.D.S.Vehicle descriptor section
 V.I.S.Vehicle indicator section

Any change or modification of parts is directly related to the V.D.S. and V.I.S.
 A V.I.S. number will appear in the "Serial No." column of the Parts Catalog if a part is changed or modified.



Make and Type of vehicle

JH2.....HONDA, Motorcycle (Manufactured in JAPAN)
 1HF.....HONDA, Motorcycle (Manufactured in U.S.A.)
 YC1.....HONDA, Motorcycle (Manufactured in BELGIUM)

III. How to use the flat rate time (F.R.T.)

This F.R.T. (Flat Rate Time) is used to determine the standard labor time allowed for replacement of parts covered by the warranty during the period the warranty is in effect. The F.R.T. for those parts which are not listed herein should be determined from the operation closely related to the replacement of that part

1. The F.R.T. is based on the following servicing conditions

- A liberal allowance is added to the net servicing time.
- Standard times specified are based on the condition that the necessary servicing tools listed in the service manual (motorcycle) which describes the HONDA service policy are available close at hand and the work performed by a mechanic with normal skill.
- Time required for inspection and operational test following the servicing is included in the F.R.T.

2. Method of computing

The job times are listed in tenths of an hour to simplify computation

(Example) 0.3 = 18 minutes
5.6 = 5 hours and 36 minutes

CONVERSION CHART			
Hours	Minutes	Hours	Minutes
0.1	6	0.6	36
0.2	12	0.7	42
0.3	18	0.8	48
0.4	24	0.9	54
0.5	30	1.0	60

3. Computing the F.R.T.

When several jobs are performed at the same time, make the calculation in the following manner

- Jobs of non duplicated nature

The F.R.T. for the job is obtained by totalling the F.R.T. for each part replaced.

(Example) Replacement of cylinder head and clutch spring.

Service item	F.R.T.
Cylinder head	2.3
Clutch spring	0.4

The F.R.T. for the job is: 2.3 + 0.4 = 2.7

- Jobs of duplicated nature

Take the F.R.T. for the last part to be replaced

(Example) Replacement of piston and cylinder head gasket

Service item	F.R.T.
Cylinder head gasket	1.4
Piston	2.9

The F.R.T. for the job is 2.9

- Jobs of partially related nature

Total up the F.R.T. for all of the parts replaced and then subtract the F.R.T. for the duplicated operation

(Example) Replacement of gearshift drum and cam chain.

Service item	F.R.T.
Gearshift drum	*3.7
Cam chain	*3.6
Cover R.R. Separation	*3.1

The F.R.T. for the job is: (3.7 + 3.6) - 3.1 = 4.2

Cover R.R. Separation is the duplicated operations.

- The F.R.T. shown with (*) includes engine removal and installation

4. Operations other than replacing parts

a. Removal and installation

No.	Service item	F.R.T.
1	Engine	2.7
2	Cylinder head	1.4
3	Carburetor	0.6
4	Radiator	0.6
5	Final driven gear	0.5

b. Adjustment, measurement and cleaning Engine

No.	Service item	F.R.T.
1	Spark plug-adjustment and cleaning	0.2
2	Tappet adjustment	0.7
3	Carburetor idle-adjustment	0.1
4	Engine oil-inspection (excluding oil change)	0.1
5	Clutch-adjustment	0.1
6	Cleaner element-cleaning	0.1
7	Compression-pressure measurement	0.2
8	Battery-checking of electrolyte level and gravity	0.2
9	Carburetor-float level measurement	0.7
10	Oil filter cleaning	0.2
11	Throttle operation-adjustment	0.1
12	Carburetor synchronization-adjustment	0.3
13	Exterior of radiator corecleaning	0.3

Frame

No.	Service item	F.R.T.
1	Front brake-air bleeding	0.2
2	Rear brake-air bleeding	0.2
3	Brake-operation test	0.1
4	Headlight-aimings	0.2
5	Front wheel balance	0.8
6	Rear wheel balance	0.9

c. Overhaul

No.	Service item	F.R.T.
1	Carburetor	1.6
2	Final driven gear	2.2

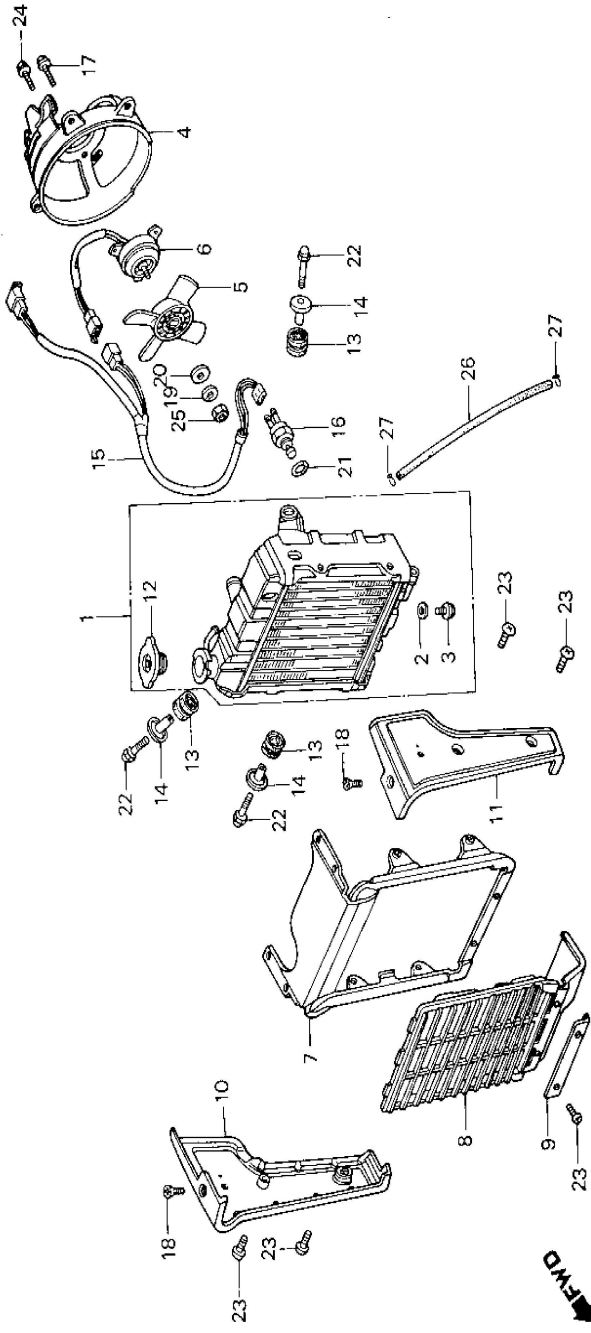
C 2

E-1

Radiator · Cooling fan

Radiateur · Ventilateur

Kühler · Kühlgebläse



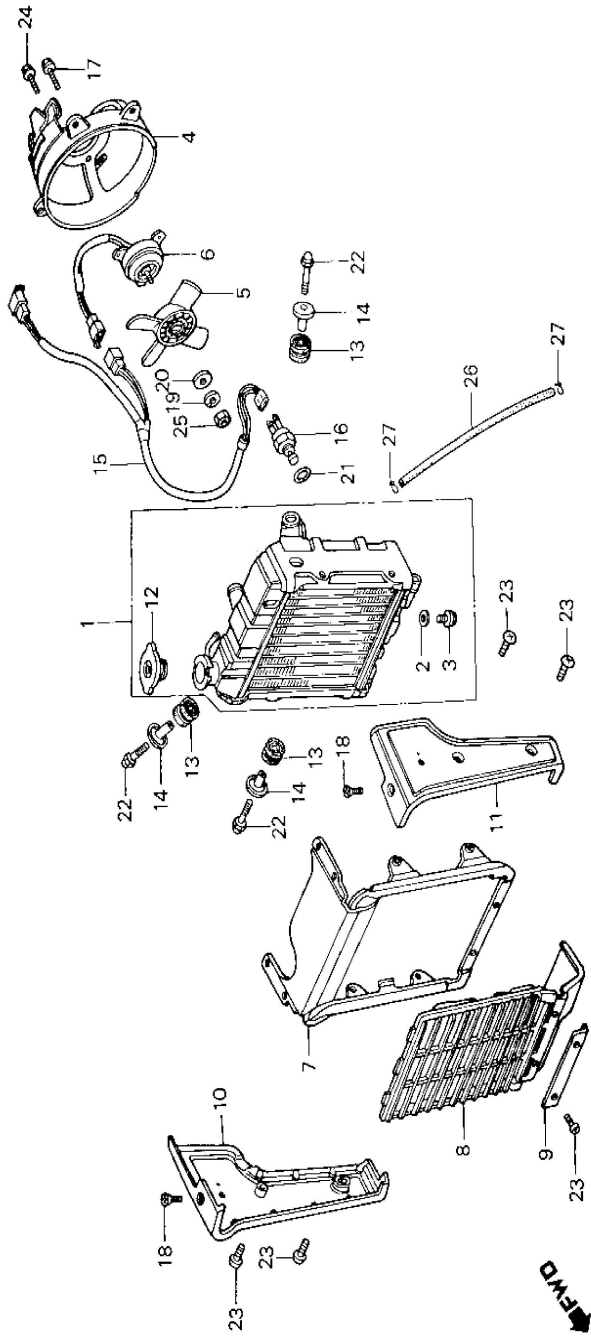
BME2-1B

Service item	F.R.T.	Ref. No.	Part No.	Description	Read. No. CX650ED	Serial No.	Area code
RADIATOR COMP.	0.6	1	19010-ME2-003	RADIATOR COMP.	1		
MOTOR, FAN		2	19012-611-003	GASKET, DRAIN COCK	1		
SHROUD COMP.	0.5	3	19013-415-004	COCK, DRAIN	1		
FAN, COOLING		4	19015-ME2-003	SHROUD COMP.	1		
HARNES A, SUB WIRE		5	19020-ME2-003	FAN, COOLING	1		
THERMOSWITCH ASSY.	0.2	6	19030-ME2-003	MOTOR, FAN	1		
COVER COMP., RADIATOR		7	19031-MG0-000	COVER COMP., RADIATOR	1		
GRILLE, RADIATOR	0.1	8	19032-ME2-000	GRILLE, RADIATOR	1		
PLATE, R. SIDE RADIATOR		9	19033-470-670	COVER, RADIATOR LOWER	1		
PLATE, L. SIDE RADIATOR		10	19035-MG0-720	PLATE, R. SIDE RADIATOR	1		CM
				PLATE, R. SIDE RADIATOR	1		AR,B,E,ED,F,G1,G2,IT,ND,SA,SD,SW U
		11	19036-MG0-720	PLATE, L. SIDE RADIATOR	1		CM
				PLATE, L. SIDE RADIATOR	1		AR,B,E,ED,F,G1,G2,IT,ND,SA,SD,SW U
		12	19045-449-770	CAP COMP., RADIATOR	1		
		13	19115-415-000	RUBBER, RADIATOR MOUNTING	3		
		14	19119-449-000	COLLAR, RADIATOR MOUNTING	3		
		15	32102-ME8-000	HARNES A, SUB WIRE	1		
		16	37760-MC7-003	THERMOSWITCH ASSY.	1		
		17	90042-679-003	BOLT-WASHER, 6X10 (ND)	4		
		18	90138-415-840	SCREW, FLAT, 6X12	4		
		19	90401-679-003	WASHER, SPRING, 5MM (ND)	1		

C 3

E-1

Radiator · Cooling fan
 Radiateur · Ventilateur
 Kühler · Kühlgebläse



EME2-1B

Service item	F.R.T.	Ref. No.	Part No.	Description	Reqd. No. CX650Ed	Serial No.	Area code
		20	90402-679-003	WASHER, PLAIN, 5MM (ND)	1		
		21	91307-611-000	O-RING, 13.5X1.4	1		
		22	92600-06032-0B	BOLT, CAP, 6X32	3		
		23	93500-06012-4J	SCREW, PAN, 6X12	6		
		24	93893-05010-08	SCREW-WASHER, 5X10	3		
		25	94001-05080-0S	NUT, HEX., 5MM	1		
		26	95001-75350-40	TUBE, FUEL, 7.3X350	1		
		27	95002-02120	CLIP 612, TUBE	2		

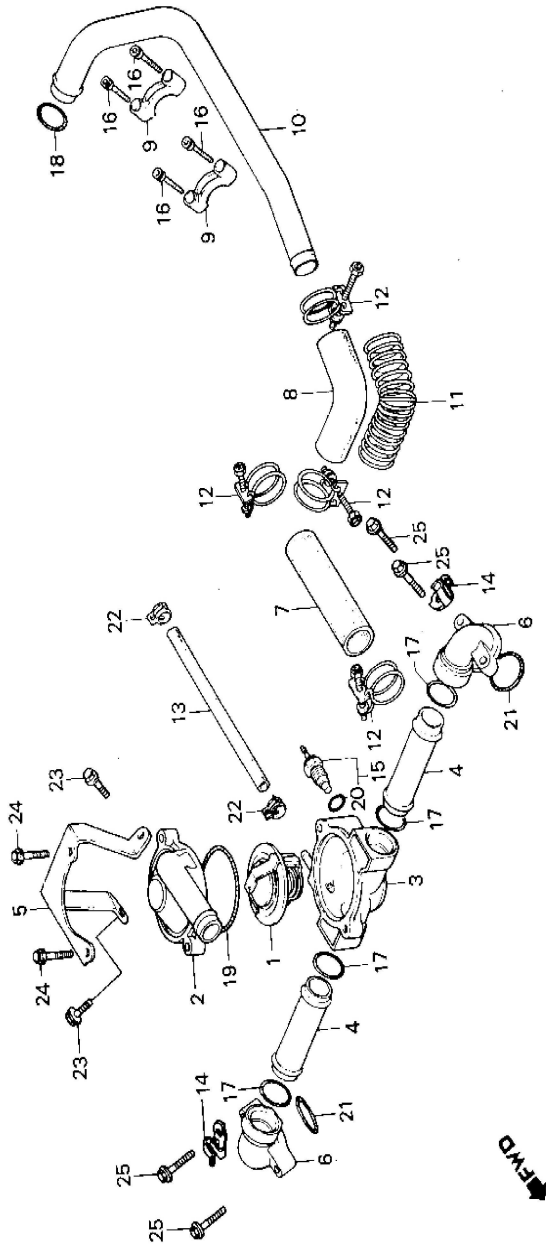
C 4

E-2

Thermostat · Water pipe

Thermostat · Tuyau d'eau

Thermostat · Wasserrohr



BME2-2

Service item	F.R.T.	Ref. No.	Part No.	Description	Reqd. No. CX850ED	Serial No.	Area code
THERMOSTAT UNIT	0.3	1	19300-611-005	THERMOSTAT UNIT	1		
COVER, THERMOSTAT		2	19315-MA1-000	COVER, THERMOSTAT	1		
SENDING UNIT, WATER TEMPERATURE		3	19411-415-000	CASE, THERMOSTAT PIPE, UPPER WATER STAY, THERMOSTAT	1		
	0.4	4	19414-ME2-000	PIPE, UPPER WATER STAY, THERMOSTAT	2		
		5	19418-ME2-000	STAY, THERMOSTAT	1		
CASE, THERMOSTAT		6	19421-415-000	JOINT A, WATER PIPE	2		
HOSE, LOWER WATER		7	19501-ME2-000	HOSE, UPPER WATER	1		
PIPE, RR. WATER	0.2	8	19502-ME2-000	HOSE, LOWER WATER	1		
PIPE, UPPER WATER		9	19503-ME2-000	CLAMP, WATER PIPE	2		
JOINT A, WATER PIPE		10	19504-ME2-000	PIPE, RR. WATER	1		
TUBE, 5X225	0.5	11	19512-449-000	WIRE B, GUARD	1		
HOSE, UPPER WATER		12	19515-449-000	BAND, HOSE	4		
		13	19521-ME2-000	TUBE, 5X225	1		
		14	30753-ME2-000	CLIP, HIGH TENSION CORD	2		
		15	37750-611-154	SENDING UNIT, WATER TEMPERATURE	1		
		16	90089-415-000	BOLT, SPECIAL, 5X22	4		
		17	91302-371-003	O-RING, 21.9X2.3	4		
		18	91302-415-003	SEAL, WATER PIPE	1		
		19	91302-657-000	O-RING, 53.8X3.1	1		
		20	91307-611-000	O-RING, 13.5X1.4	1		
		21	94608-50000	O-RING, 23X2.8	2		
		22	95002-41050-08	CLIP D10.5, TUBE	2		
		23	95700-06012-00	BOLT, FLANGE, 6X12	2		
		24	95700-06025-00	BOLT, FLANGE, 6X25	2		
		25	96000-06025-00	BOLT, FLANGE, 6X25	4		

1982.10.01

E

C4

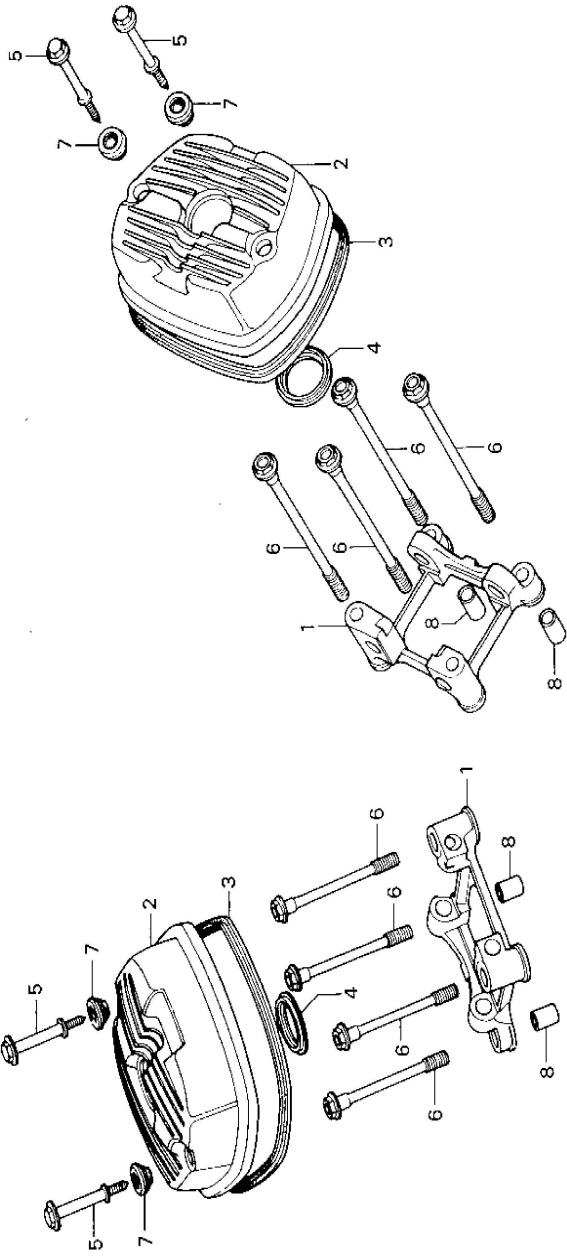
C 5

E-3

Cylinder head cover

Couvercle de culasse

Zylinderkopfdeckel



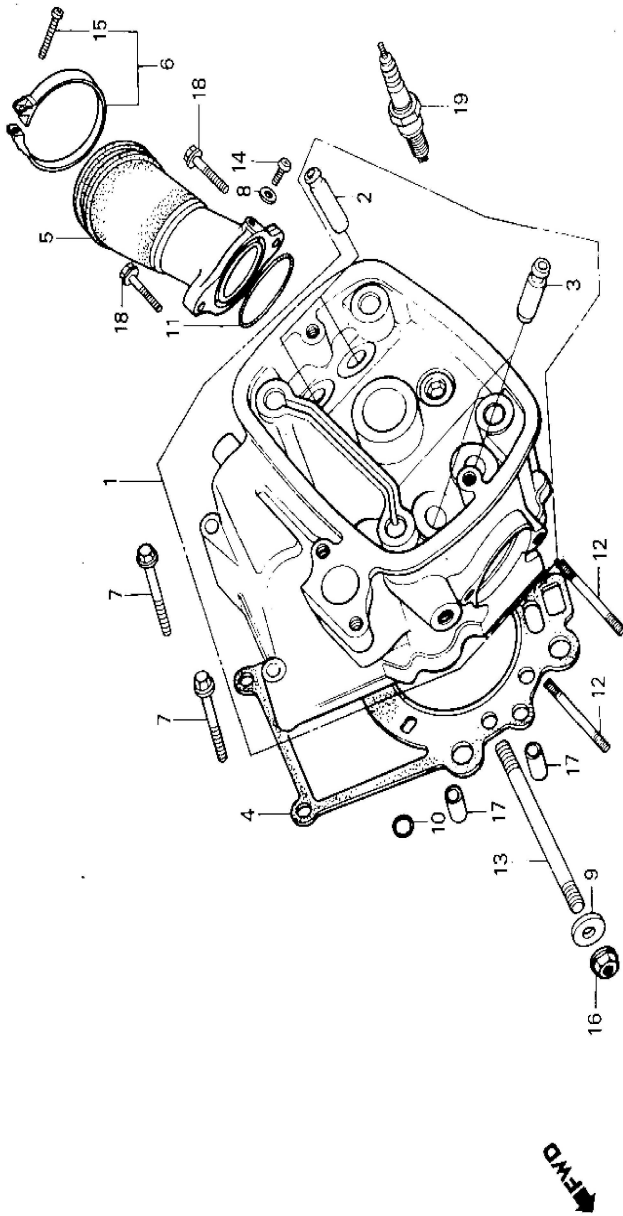
B415-3

Service item	F.R.T.	Ref. No.	Part No.	Description	Reqd. No. CX650Ed	Serial No.	Area code
HOLDER, VALVE ROCKER ARM	0-8	1	12315-415-000	HOLDER, VALVE ROCKER ARM	2		
COVER, CYLINDER HEAD	0-2	2	12311-ME2-000	COVER, CYLINDER HEAD	2		
GASKET, HEAD COVER	0-1	3	12328-415-000	GASKET, HEAD COVER	2		
		4	12329-415-000	GASKET, PLUG HOLE	2		
		5	90016-MCT-000	BOLT, SPECIAL, 6X60	4		
		6	90021-415-000	BOLT, FLANGE, 12X150	8		
		7	90541-371-000	RUBBER, MOUNTING	4		
		8	94301-14200	PIN A, DOWEL, 14X20	4		

C7

E-5

Left cylinder head
Culasse gauche
Linker Zylinderkopf



BME2-4

Service item	F.R.T.	Ref. No.	Part No.	Description	Reqd. No. CX650ED	Serial No.	Area code
HEAD COMP., L. CYLINDER	2.3	1	12210-ME2-000	HEAD COMP., L. CYLINDER	1		
GUIDE, VALVE	1.7	2	12231-415-305	GUIDE, IN. VALVE	2		
(INC. REAMING)		3	12241-MA1-305	GUIDE, EX. VALVE	2		
(ADD 0.2 FOR EACH.)		4	12251-ME2-000	GASKET, CYLINDER HEAD	1		
(EXC. VALVE REFACING)		5	16221-ME2-000	INSULATOR, L. CARBURETOR	1		
(ADD MORE 0.2 IF PERFORMED)		6	17255-356-000	BAND, CARBURETOR INSULATOR	1		
GASKET, CYLINDER HEAD	1.4	7	90068-ME2-000	BOLT, FLANGE, 8X55	2		
INSULATOR, L. CARBURETOR	0.2	8	90452-323-000	WASHER, THRUST, 5MM	1		
.BOLT, STUD, 6X55		9	90453-MA1-000	COLLAR, 22MM	1		
(ADD 0.1 FOR EACH.)		10	91302-044-013	O-RING, 6.9X1.5	1		
		11	91325-567-005	O-RING, 40X2.4	1		
		12	92700-06055-0B	BOLT, STUD, 6X55	2		
		13	92700-10100	BOLT, STUD, 10X100	1		
		14	93500-05008-0A	SCREW, PAN, 5X8	1		
		15	93500-05020-0G	SCREW, PAN, 5X20	1		
		16	94050-10000	NUT, FLANGE, 10MM	1		
		17	94301-08140	PIN A, DOWEL, 8X14	2		
		18	96000-06022-00	BOLT, FLANGE, 6X22	2		
		19	98069-58916	PLUG, SPARK (DPR8EA-9 NGK)	1		
			98069-58926	PLUG, SPARK (X24EPR-U9 ND)	1		
			98069-59916	PLUG, SPARK (DPR9EA-9 NGK)	(1)		
			98069-59926	PLUG, SPARK (X27EPR-U9 ND)	(1)		

1982.10.01

E

C7

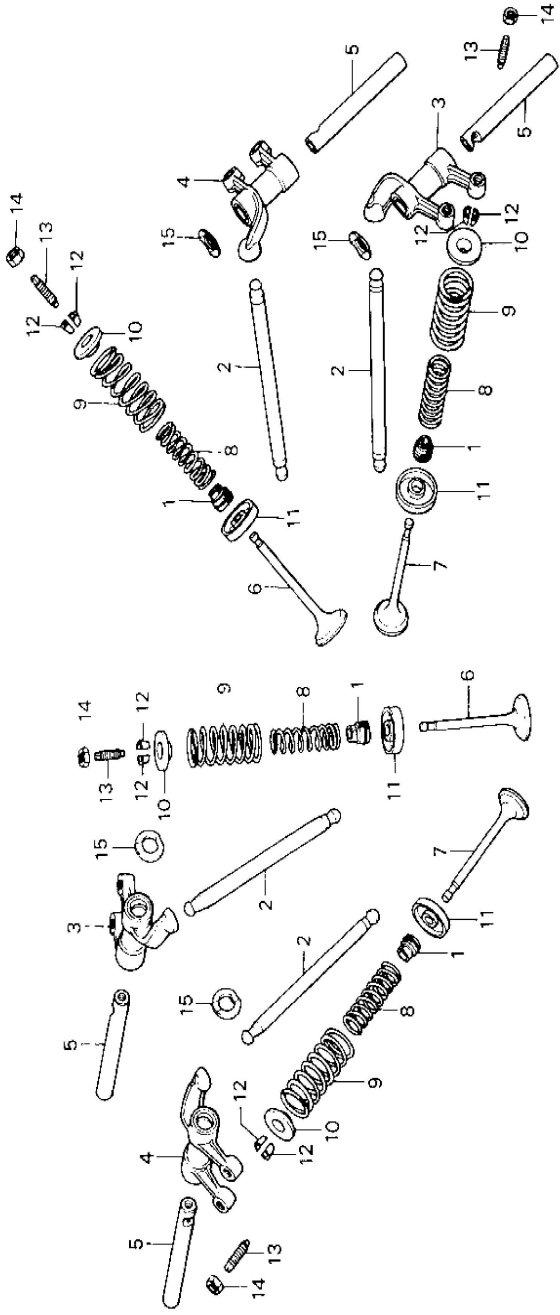


E-6

Valve · Upper rocker arm

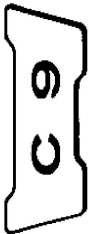
Soupape · Culbuteur supérieur

Ventil · Oberer Kipphebel



B415-6

Service item	F.R.T.	Ref. No.	Part No.	Description	Reqd. No. CX650ED	Serial No.	Area code
ROD COMP., PUSH	0.5	1	12209-300-003	SEAL, VALVE STEM	8		
ARM COMP. A, UPPER ROCKER (INC. RELATIVE PART)	0.8	2	14410-ME2-000	ROD COMP., PUSH	4		
VALVE (ADD 0.2 FOR EACH.) (INC. REFACING)	1.6	3	14420-MG0-000	ARM COMP. A, UPPER ROCKER	2		
(EXC. VALVE GUIDE REPLACEMENT)		4	14430-MG0-000	ARM COMP. B, UPPER ROCKER	2		
SPRING, VALVE INNER (ADD 0.1 FOR EACH.)	1.5	5	14450-ME2-000	SHAFT COMP., UPPER ROCKER ARM	4		
		6	14711-ME2-000	VALVE, IN.	4		
		7	14721-415-000	VALVE, EX.	4		
		8	14751-ME2-000	SPRING, VALVE INNER	8		
		9	14761-415-005	SPRING, VALVE OUTER	8		
		10	14771-551-020	RETAINER, VALVE SPRING	8		
		11	14775-300-000	SEAT, VALVE SPRING	8		
		12	14781-551-000	COTTER, VALVE	16		
		13	90012-414-000	SCREW, TAPPET ADJUSTING	8		
		14	90206-590-000	NUT, TAPPET ADJUSTING	8		
		15	90405-415-000	WASHER, WAVE, 1.5MM	4		

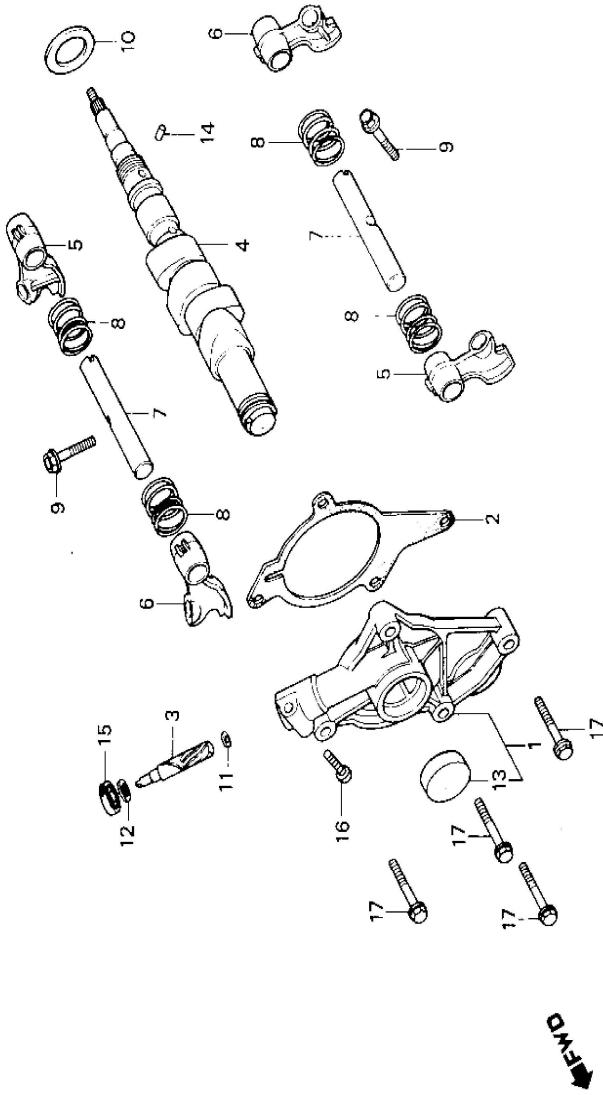


E-7

Camshaft · Lower rocker arm

Arbre à cames · Culbuteur inférieur

Nockenwelle · Unterer Kipphebel



BME2-5

Service item	F.R.T.	Ref. No.	Part No.	Description	Read No. CX650ED	Serial No.	Area code
HOLDER COMP., CAMSHAFT	0.9	1	12220-ME2-000	HOLDER COMP., CAMSHAFT	1		
GEAR, TACHOMETER		2	12230-449-700	GASKET, CAMSHAFT HOLDER	1		
GASKET, CAMSHAFT HOLDER	0.8	3	12431-415-010	GEAR, TACHOMETER	1		
CAMSHAFT COMP.	*4.2	4	14100-ME2-000	CAMSHAFT COMP.	1		
SHAFT, LOWER ROCKER ARM (INC. RELATIVE PART) (ADD 0.4 FOR EACH.)	*3.9	5	14441-415-010	ARM A, LOWER ROCKER	2		
		6	14442-415-010	ARM B, LOWER ROCKER	2		
		7	14451-415-000	SHAFT, LOWER ROCKER ARM	2		
		8	14453-415-000	SPRING A, VALVE ROCKER ARM	4		
		9	90008-415-000	BOLT, SPECIAL, 6X30	2		
		10	90407-415-000	WASHER, THRUST, 26MM	1		
		11	90441-044-300	WASHER	1		
		12	90458-324-000	WASHER, THRUST, 6.7MM	1		
		13	90702-ME2-000	COLLAR, 28MM	1		
		14	91105-415-000	ROLLER, 5X8.5	1		
		15	91211-415-003	OIL SEAL, 6X14.5X5	1		
		15	91211-415-004	OIL SEAL, 6X14.5X5	1		
		16	93500-05020-0G	SCREW, PAN, 5X20	1		
		17	96000-06028-00	BOLT, FLANGE, 6X28	4		

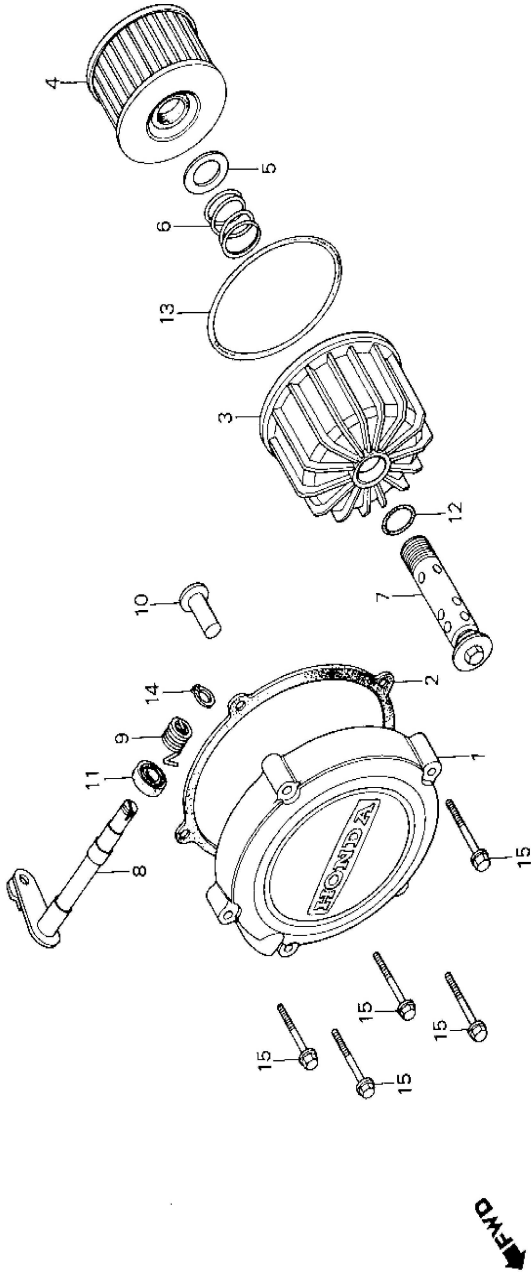
C 10

E-8

Clutch cover · Oil filter

Couvercle d'embrayage ·
Filtre à huile

Kupplungsdeckel · Ölfilter



←HWD

B415-8

Service item	F.R.T.	Ref. No.	Part No.	Description	Reqd. No. CX650Ed	Serial No.	Area code
COVER COMP., CLUTCH	0.4	1	11370-449-000	COVER COMP., CLUTCH	1		
GASKET, CLUTCH COVER	0.2	2	11372-449-700	GASKET, CLUTCH COVER	1		
ELEMENT, OIL FILTER		3	15411-449-000	CASE, OIL FILTER	1		
(INC. RELATIVE PART)		4	15412-413-005	ELEMENT, OIL FILTER	1		
SHAFT, CLUTCH LEVER	0.3	5	15414-300-000	SEAT, OIL FILTER SPRING	1		
(INC. RELATIVE PART)		6	15415-413-000	SPRING, FILTER ELEMENT SETTING	1		
		7	15420-415-000	BOLT COMP., OIL FILTER CENTER	1		
		8	22811-MG0-000	SHAFT, CLUTCH LEVER	1		
		9	22815-413-000	SPRING, CLUTCH LEVER	1		
		10	22847-415-000	ROD, CLUTCH LIFTER	1		
		11	91201-706-003	OIL SEAL, 12X18X4	1		
		12	91302-377-000	O-RING, 15X2.5	1		
		13	91311-415-000	O-RING, 81X4.5	1		
		14	94510-10000	CIRCLIP, EXTERNAL, 10	1		
		15	96000-06028-00	BOLT, FLANGE, 6X28	5		

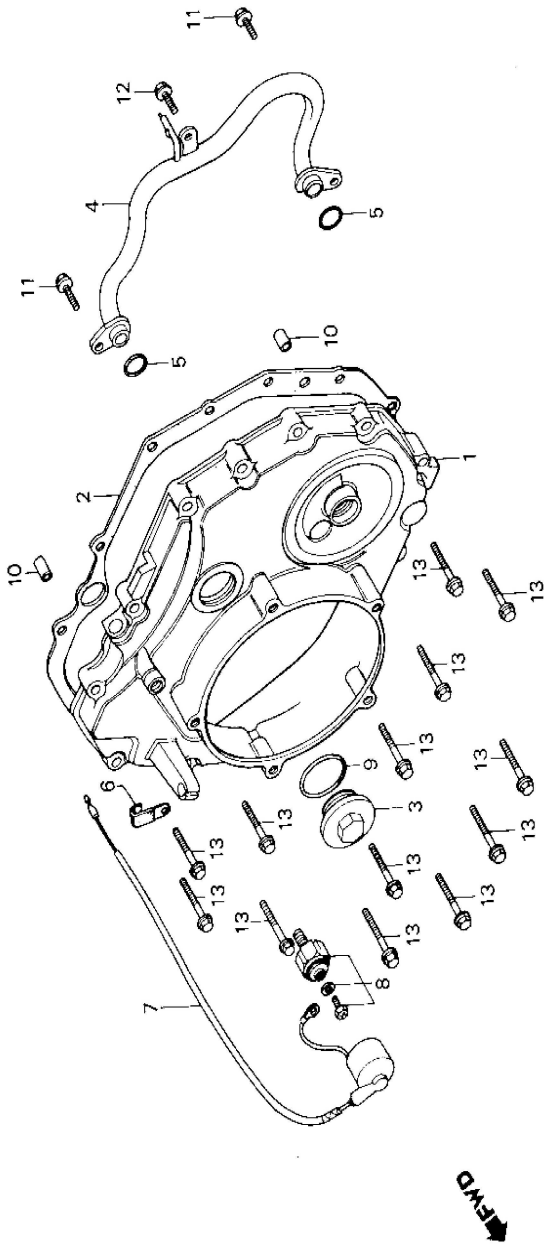
C 11

E-9

Transmission cover

Couvercle de transmission

Getriebedeckel



MBE2-6

Service item	F.R.T.	Ref. No.	Part No.	Description	Reqd. No. CX650Ed	Serial No.	Area code
COVER COMP., TRANSMISSION	1.4	1	11360-ME2-000	COVER COMP., TRANSMISSION	1		
GASKET, TRANSMISSION COVER	1.1	2	11391-ME2-000	GASKET, TRANSMISSION COVER	1		
PIPE COMP., OIL PASS	1.2	3	12363-MC7-000	CAP, A.C. GENERATOR TIMING MARK	1		
SUB CORD B, ENGINE	0.8	4	15142-ME2-000	PIPE COMP., OIL PASS	1		
SWITCH ASSY., OIL PRESSURE	0.6	5	16997-357-003	O-RING, 11.8X2.4	2		
		6	32111-323-000	CLAMPER, CORD	1		
		7	32117-MA1-730	SUB CORD B, ENGINE	1		
		8	35500-MB9-004	SWITCH ASSY., OIL PRESSURE	1		
		9	91302-001-000	O-RING, 27.5MM	1		
		10	94301-08140	PIN A, DOWEL, 8X14	2		
		11	95700-06014-00	BOLT, FLANGE, 6X14	2		
		12	96000-06014-00	BOLT, FLANGE, 6X14	1		
		13	96000-06028-00	BOLT, FLANGE, 6X28	13		

1982.10.01

E

C11

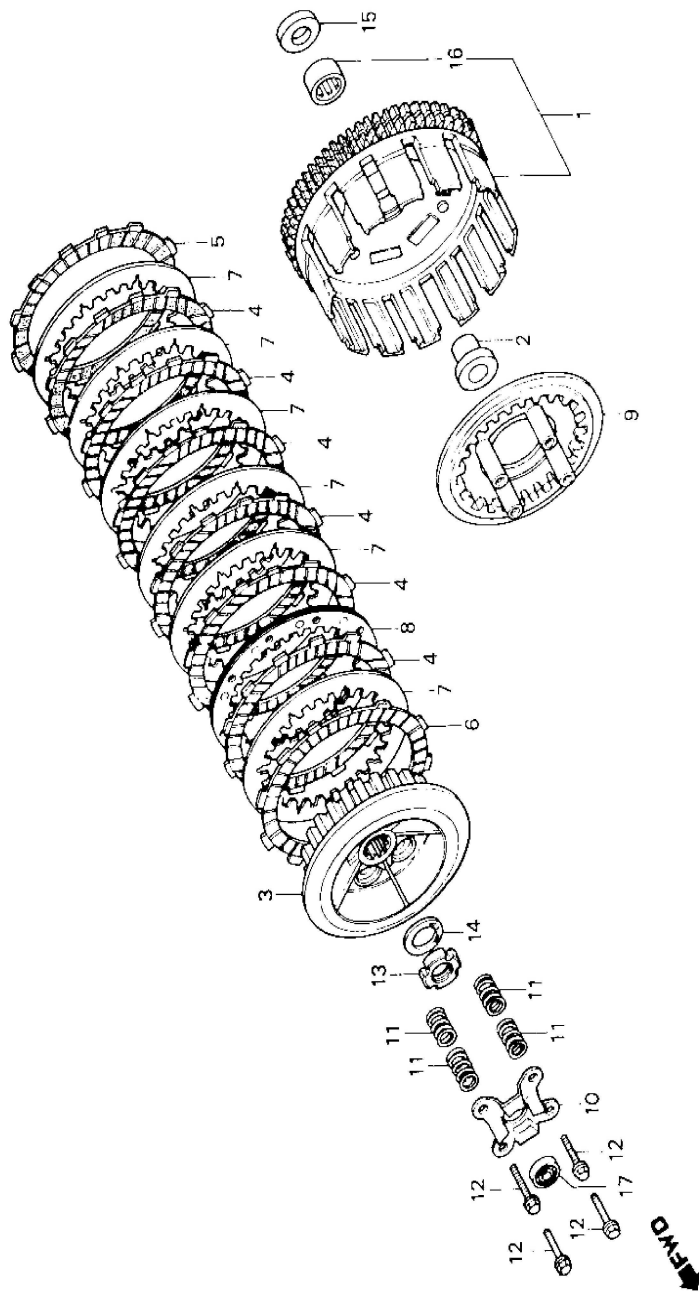
C 12

E-10

Clutch

Embrayage

Kupplung



BME2-7

Service item	F.R.T.	Ref. No.	Part No.	Description	Reqd. No. CXB50ED	Serial No.	Area code
OUTER COMP., CLUTCH	0.5	1	22100-ME2-000	OUTER COMP., CLUTCH	1		
CENTER COMP., CLUTCH		2	22116-ME2-000	GUIDE, CLUTCH OUTER	1		
DISK, CLUTCH FRICTION (INC. RELATIVE PART)		3	22120-ME2-000	CENTER COMP., CLUTCH	1		
(ONE OR ALL)		4	22201-ME2-000	DISK, CLUTCH FRICTION	6		
PLATE, CLUTCH LIFTER	0.3	5	22201-286-010	DISK, CLUTCH FRICTION	1		
(ONE OR ALL)	0.4	6	22202-390-000	DISK B, CLUTCH FRICTION	1		
SPRING, CLUTCH		7	22321-329-000	PLATE B, CLUTCH	6		
		8	22322-390-000	PLATE COMP. B, CLUTCH	1		
		9	22350-ME2-000	PLATE, CLUTCH PRESSURE	1		
		10	22361-415-000	PLATE, CLUTCH LIFTER	1		
		11	22401-ME2-000	SPRING, CLUTCH	4		
		12	90050-357-000	BOLT, SPECIAL FLANGE, 6X22	4		
		13	90204-426-000	NUT, LOCK, 20MM	1		
		14	90432-121-000	WASHER, LOCK	1		
		15	90453-ME2-000	WASHER, THRUST, 25MM	1		
		16	91021-ME2-003	BEARING, NEEDLE, 32X42X20	1		
		17	96100-60000-00	BEARING, RADIAL BALL, 6000	1		

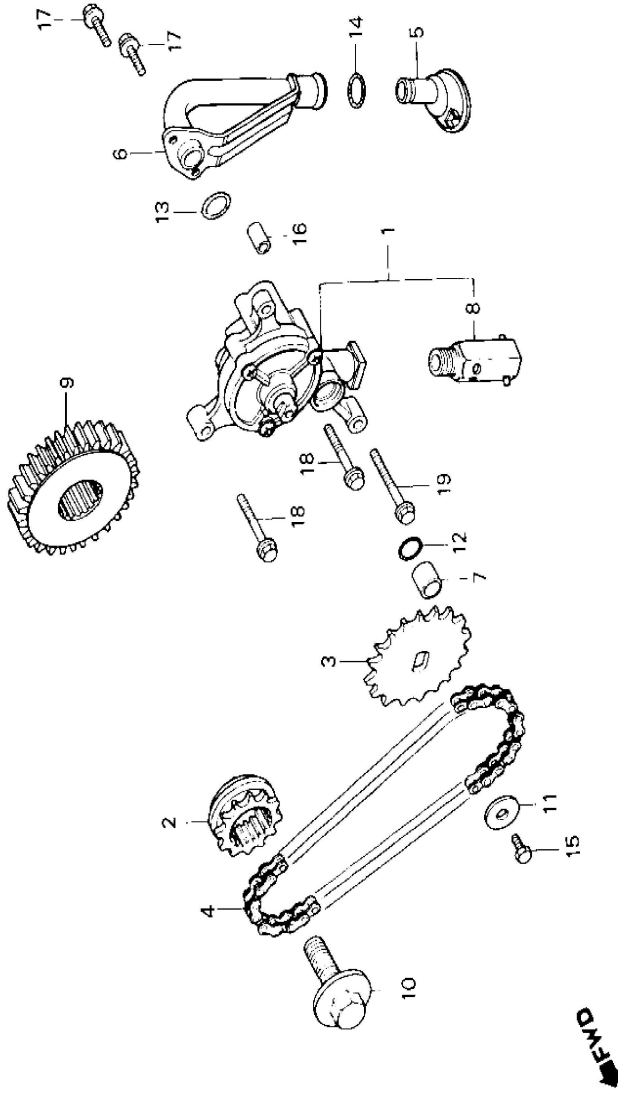
E-11

Oil pump · Primary drive gear

Pompe à huile ·

Pignon commande primaire

Ölpumpe · Primäres Antriebszahnrad



ME2-8

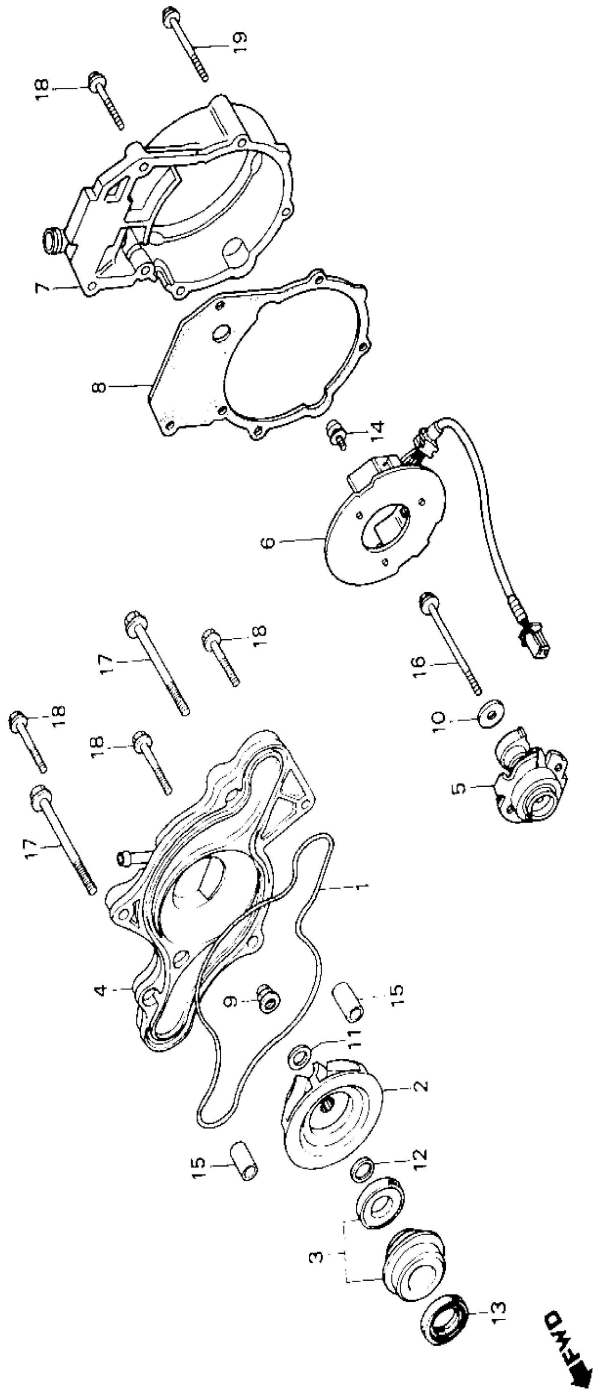
Service item	F.R.T.	Ref. No.	Part No.	Description	Reqd. No. CX650Ed	Serial No.	Area code
PUMP ASSY., OIL	1,2	1	15100-ME2-000	PUMP ASSY., OIL	1		
CHAIN, OIL PUMP		2	15115-415-000	SPROCKET, OIL PUMP DRIVE	1		
PIPE COMP., OIL STRAINER		3	15116-415-000	SPROCKET, OIL PUMP DRIVEN	1		
VALVE ASSY., RELIEF	0,5	4	15140-415-003	CHAIN, OIL PUMP	1		
BODY COMP., OIL STRAINER	1,3	5	15141-ME2-010	BODY COMP., OIL STRAINER	1		
GEAR, PRIMARY DRIVE		6	15143-ME2-000	PIPE COMP., OIL STRAINER	1		
		7	15155-300-000	COLLAR, O-RING	1		
		8	15220-415-000	VALVE ASSY., RELIEF	1		
		9	23121-ME2-000	GEAR, PRIMARY DRIVE	1		
		10	90013-415-000	BOLT, UBS, 12X28	1		
		11	90486-028-000	WASHER, SPARK ADVANCER SETTING	1		
		12	91301-268-020	O-RING, 14MM	1		
		13	91302-377-000	O-RING, 15X2.5	1		
		14	91363-MCT-004	O-RING, 15.3X3.5	1		
		15	92000-06008	BOLT, HEX., 6X8	1		
		16	94301-08140	PIN A, DOWEL, 8X14	1		
		17	95700-06014-00	BOLT, FLANGE, 6X14	2		
		18	95700-06025-00	BOLT, FLANGE, 6X25	2		
		19	95700-06032-00	BOLT, FLANGE, 6X32	1		

C 14**E-12**

Water pump

Pompe à eau

Wasserpumpe



BME2

Service item	F.R.T.	Ref. No.	Part No.	Description	Reqd. No. CX650ED	Serial No.	Area code
GASKET, WATER PUMP BASE	0.9	1	11396-415-000	GASKET, WATER PUMP BASE	1		
COVER, WATER PUMP		2	19215-ME2-000	IMPELLER, WATER PUMP	1		
IMPELLER, WATER PUMP	1.0	3	19217-657-023	SEAL, MECHANICAL	1		
SEAL, MECHANICAL	*3.2	4	19221-ME2-000	COVER, WATER PUMP	1		
ADVANCER ASSY., SPARK	1.8	5	30220-ME2-000	ADVANCER ASSY., SPARK	1		
GENERATOR COMP., PULSE		6	30300-MG0-000	GENERATOR COMP., PULSE	1		
COVER COMP., PULSER	1.6	7	30372-MC7-010	COVER COMP., PULSER	1		
COVER COMP., PULSER		8	30373-MC7-000	GASKET, PULSER COVER	1		
GASKET, PULSER COVER		9	90201-415-000	NUT, CAP, 6MM	1		
NUT, CAP, 6MM		10	90417-115-000	WASHER, CAMSHAFT SIDE	1		
WASHER, CAMSHAFT SIDE		11	90441-706-000	WASHER, SEALING, 6MM	1		
WASHER, SEALING, 6MM		12	90453-415-000	WASHER, THRUST, 10MM	1		
WASHER, THRUST, 10MM		13	91202-283-013	OIL SEAL, 18X28X6	1		
OIL SEAL, 18X28X6		14	93891-06012-00	SCREW-WASHER, 6X12	2		
SCREW-WASHER, 6X12		15	94301-10160	PIN A, DOWEL, 10X16	2		
PIN A, DOWEL, 10X16		16	95700-06060-00	BOLT, FLANGE, 6X60	1		
BOLT, FLANGE, 6X60		17	95700-08065-00	BOLT, FLANGE, 8X65	2		
BOLT, FLANGE, 8X65		18	96000-06025-00	BOLT, FLANGE, 6X25	7		
BOLT, FLANGE, 6X25		19	96000-06040-00	BOLT, FLANGE, 6X40	2		

1982.10.01

E

C14

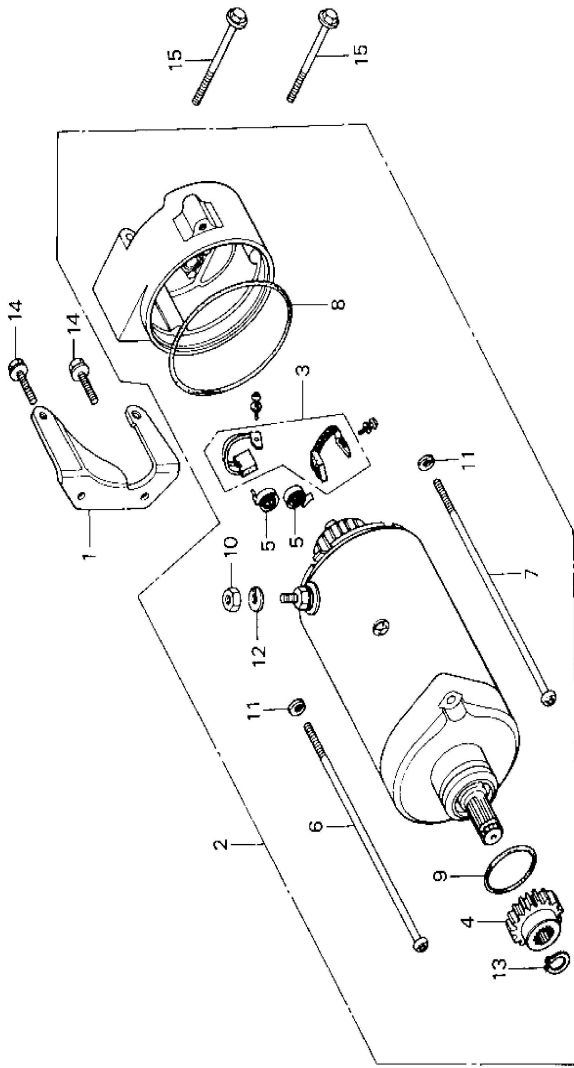
C 15

E-13

Starting motor

Moteur démarrage

Anlassermotor



B415-13

Service item	F.R.T.	Ref. No.	Part No.	Description	Reqd. No. CX650Ed	Serial No.	Area code
MOTOR ASSY., STARTING	0.2	1	11312-415-000	STAY, STARTING MOTOR	1		
GEAR, STARTING MOTOR	0.4	2	31200-449-008	MOTOR ASSY., STARTING	1		
BRUSH SET, CARBON		3	31201-292-158	BRUSH SET, CARBON	1		
		4	31201-415-000	GEAR, STARTING MOTOR (27T)	1		
		5	31204-292-158	SPRING, CARBON BRUSH	2		
		6	31205-413-780	BOLT, STARTING MOTOR COVER	1		
		7	31205-449-008	BOLT A, SETTING	1		
		8	31206-415-000	O-RING, 60X1.4	1		
		9	91309-300-000	O-RING, 24.4X3.1	1		
		10	94002-06000	NUT, HEX., 6MM	1		
		11	94111-05000	WASHER, SPRING, 5MM	2		
		12	94111-06000	WASHER, SPRING, 6MM	1		
		13	94510-11000	CLIP, EXTERNAL, 11	1		
		14	96000-06018-00	BOLT, FLANGE, 6X18	2		
		15	96000-06035-00	BOLT, FLANGE, 6X35	2		

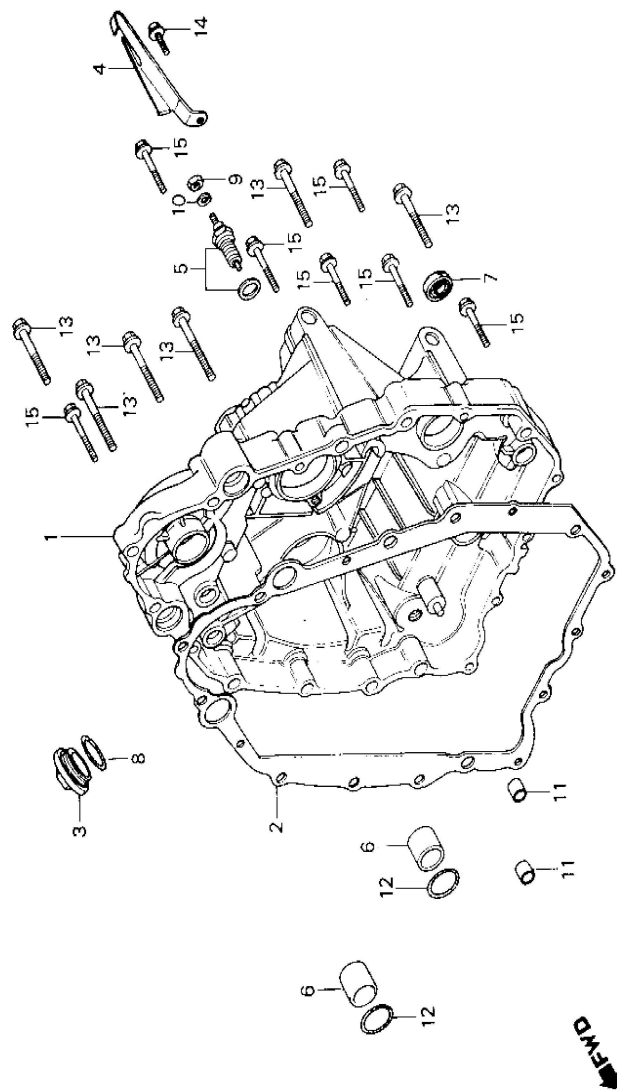
C 16

E - 14

Rear cover

Couvercle arrière

Hinterdeckel



BMA1-9

Service item	F.R.T.	Ref. No.	Part No.	Description	Reqd. No. CX650ED	Serial No.	Area code
COVER, RR.	#3.8	1	11310-ME2-000	COVER, RR.	1		
GASKET, RR. COVER	#3.1	2	11394-449-701	GASKET, RR. COVER	1		
SWITCH ASSY., NEUTRAL	0.3	3	12363-MC7-000	CAP, A.C. GENERATOR TIMING MARK	1		
OIL SEAL, 14X26X7	#3.2	4	31140-415-000	GUIDE, NEUTRAL CORD	1		
		5	35600-413-003	SWITCH ASSY., NEUTRAL (TOYO)	1		
		6	90701-415-000	COLLAR, 22.2MM	2		
		7	91201-023-020	OIL SEAL, 14X26X7	1		
		8	91302-001-000	O-RING, 27.5MM	1		
		9	94001-04000-0S	NUT, HEX., 4MM	1		
		10	94111-04800	WASHER, SPRING, 4MM	1		
		11	94301-10160	PIN A, DOWEL, 10X16	2		
		12	94608-50000	O-RING, 23X2.8	2		
		13	95700-08040-00	BOLT, FLANGE, 8X40	6		
		14	96000-06014-00	BOLT, FLANGE, 6X14	1		
		15	96000-06032-00	BOLT, FLANGE, 6X32	7		

1982.10.01

E

C16

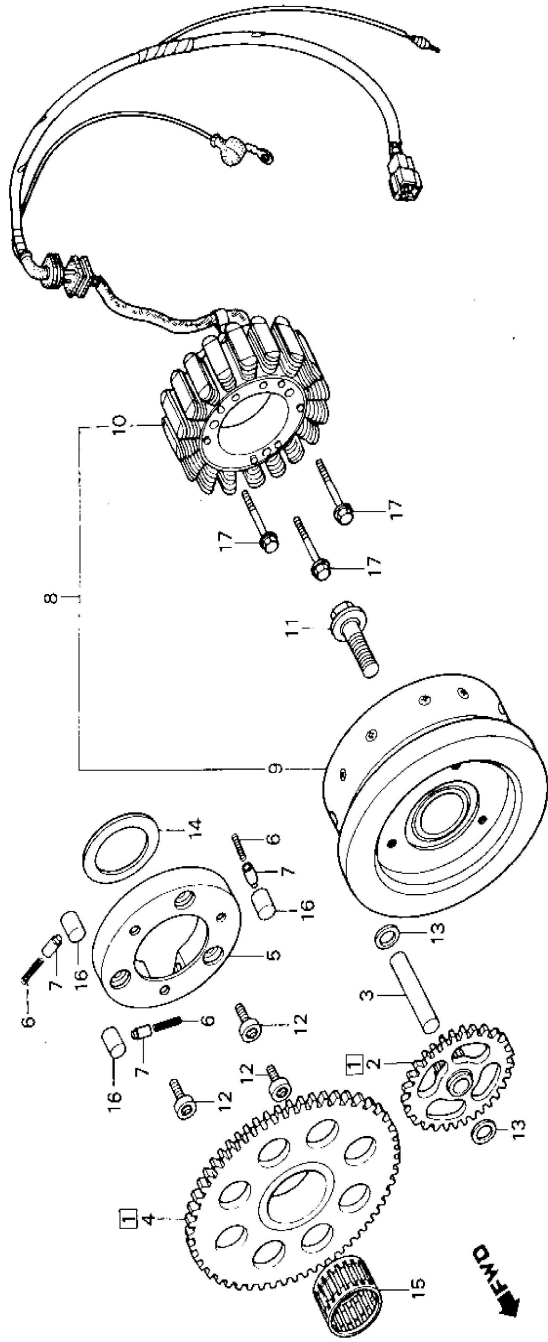
D 1

E-15

Generator

Générateur

Lichtmaschine



BMAL-11

Service item	F.R.T.	Ref. No.	Part No.	Description	Reqd. No. CX650ED	Serial No.	Area code
GEAR SET, STARTING	*3.3	1	28100-415-305	GEAR SET, STARTING	1		
GEAR COMP., STARTING DRIVEN		2	28102-415-010	GEAR, STARTER REDUCTION	1		
ROLLER, 15X13		3	28106-415-000	SHAFT, STARTER REDUCTION GEAR	1		
(INC. RELATIVE PART)		4	28110-415-010	GEAR COMP., STARTING DRIVEN	1		
(ONE OR ALL)		5	28120-415-000	OUTER, STARTING CLUTCH	1		
GEAR, STARTER REDUCTION	*3.2	6	28125-516-030	SPRING, STARTING CLUTCH ROLLER	3		
OUTER, STARTING CLUTCH	*3.4	7	28126-415-000	CAP, STARTING CLUTCH ROLLER	3		
FLYWHEEL COMP.		8	31100-MA1-731	GENERATOR ASSY., FLYWHEEL TYPE	1		
STATOR COMP.		9	31110-MA1-731	FLYWHEEL COMP. (HITACHI)	1		
GENERATOR ASSY., FLYWHEEL TYPE A.C.	*3.6	10	31120-MA1-005	STATOR COMP. (HITACHI)	1		
		11	90002-415-003	BOLT, A.C. GENERATOR SETTING, 12X50	1		
		12	90010-415-000	BOLT, SOCKET, 8MM	3		
		13	90451-708-000	WASHER, 12MM	2		
		14	90454-415-000	WASHER, THRUST, 37MM	1		
		15	91021-415-005	BEARING, NEEDLE, 32MM (TOMUSON)	1		
		16	91101-516-000	ROLLER, 15X13	3		
		17	95700-06040-00	BOLT, FLANGE, 6X40	3		

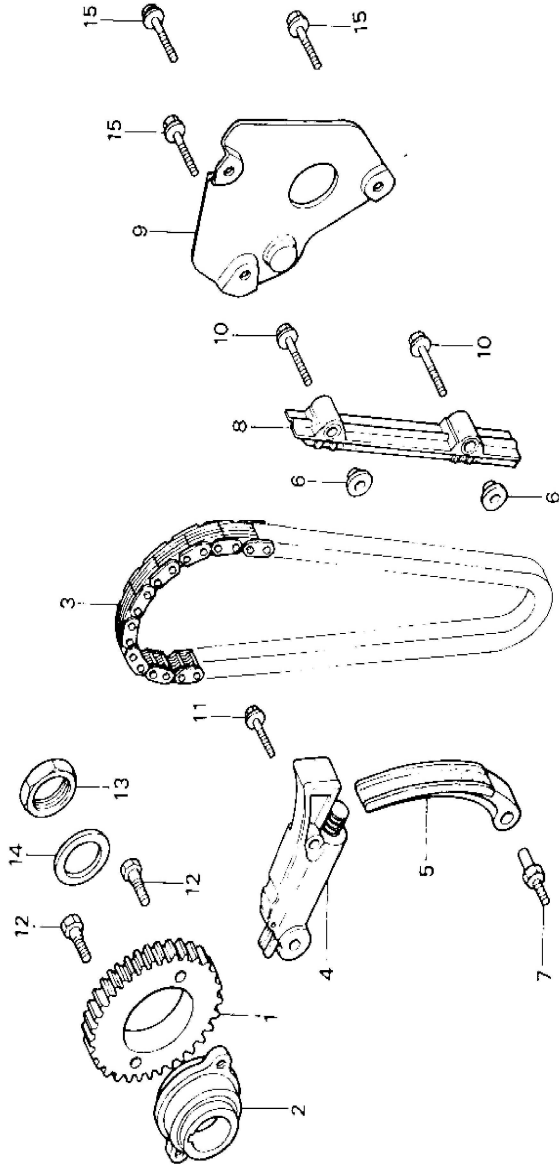
D 2

E-16

Cam chain · Tensioner

Chaine de cames · Tendeur

Steuerkette · Spanner



BMC7

Service item	F.R.T.	Ref. No.	Part No.	Description	Reqd. No.	Serial No.	Area code
SPROCKET, CAM	*3.2	1	14321-415-000	SPROCKET, CAM	1		
TENSIONER COMP., CAM CHAIN		2	14322-415-000	BOSS, CAM SPROCKET	1		
BOSS, CAM SPROCKET	*3.5	3	14401-ME2-003	CHAIN, CAM	1		
CHAIN, CAM	*3.6	4	14500-MC7-000	TENSIONER COMP., CAM CHAIN	1		
TENSIONER, CAM CHAIN	*3.4	5	14511-MC7-000	TENSIONER, CAM CHAIN	1		
GUIDE, CAM CHAIN		6	14515-428-000	COLLAR, 6X14.7	2		
PLATE, CAM CHAIN SETTING		7	14538-MC7-000	PIN, TENSIONER SETTING	1		
		8	14620-MC7-000	GUIDE, CAM CHAIN	1		
		9	14623-MC7-000	PLATE, CAM CHAIN SETTING	1		
		10	90011-415-000	BOLT, HEX., 6X30	1		
		11	90015-MC7-000	BOLT, FLANGE, 8X32	2		
		12	90081-415-000	BOLT, HEX, KNOCK, 7X17	1		
		13	90207-415-000	NUT, HEX., 20MM	1		
		14	90432-121-000	WASHER, LOCK	1		
		15	95700-06016-00	BOLT, FLANGE, 6X16	1		
					3		

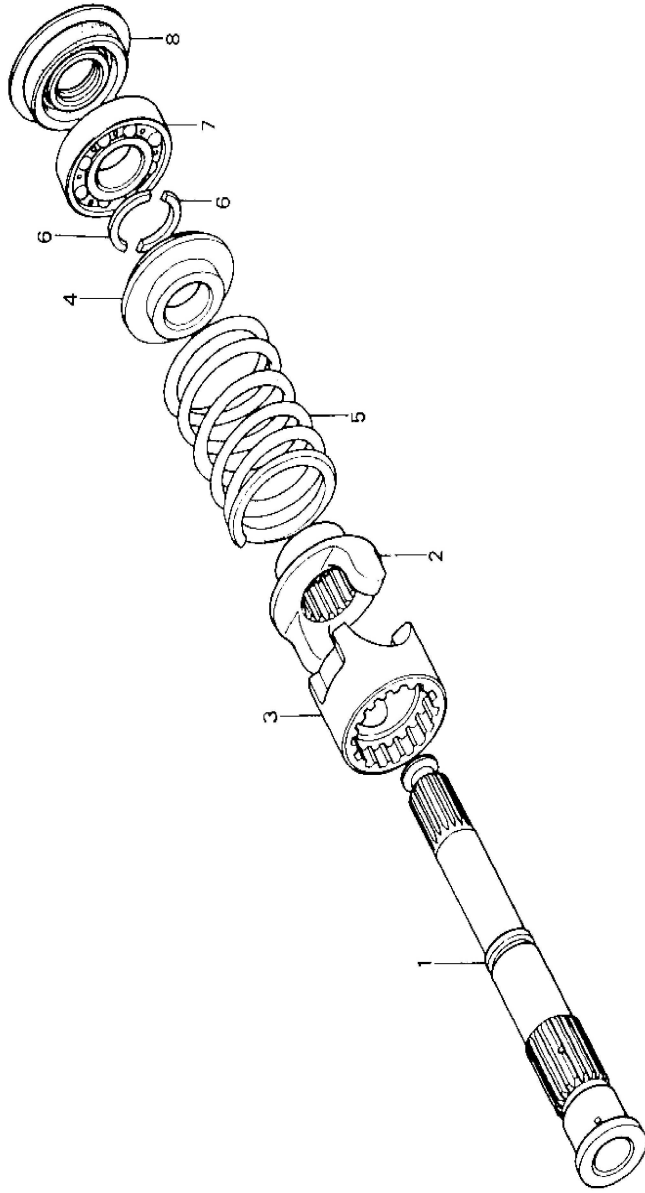
D 3

E-17

Final shaft

Arebre final

Endwelle



B415

Service item	F.R.T.	Ref. No.	Part No.	Description	Reqd. No. CX650ED	Serial No.	Area code
SHAFT, FINAL (INC. RELATIVE PART) •BEARING, BALL, 62/22 OIL SEAL, 22X36X7	*3.2	1	23521-MG0-000	SHAFT, FINAL	1		
		2	23721-MA1-000	LIFTER, DAMPER	1		
	1.0	3	23722-MC7-000	CAM, DAMPER	1		
		4	23731-371-000	STOPPER, DAMPER SPRING	1		
		5	23732-MA1-000	SPRING, DAMPER	1		
		6	23733-371-000	WASHER, SPRING STOPPER	2		
		7	91005-634-004	BEARING, BALL, 62/22 (KOYD)	1		
		8	91005-634-008	BEARING, BALL, 62/22 (TOYO)	1		
			91202-415-003	OIL SEAL, 22X36X7	1		
			91202-415-004	OIL SEAL, 22X36X7	1		

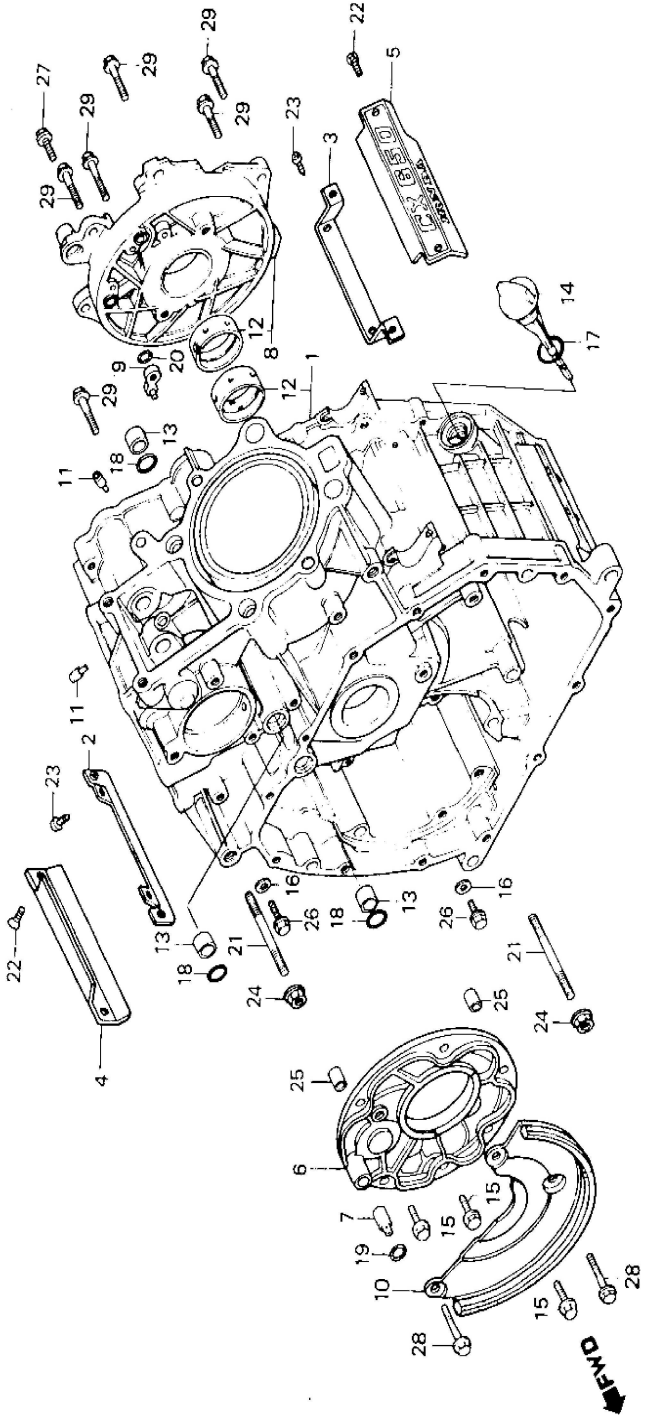
D 4

E-18

Cylinder block

Bloc moteur

Zylinderblock



Service item	F.R.T.	Ref. No.	Part No.	Description	Reqd. No. CX650Ed	Serial No.	Area code
BLOCK COMP., CYLINDER	*6.2	1	11100-ME2-010	BLOCK COMP., CYLINDER	1		
HOLDER, TRANSMISSION	*3.7	2	11102-ME2-000	SPACER, R. EMBLEM	1		
CAP COMP., CRANKSHAFT	*5.6	3	11103-ME2-000	SPACER, L. EMBLEM	1		
BEARING A, MAIN (ONE OR ALL)		4	11104-MG0-000	EMBLEM, CYLINDER BLOCK R.	1		
SEPARATOR COMP., OIL	1.3	5	11105-MG0-000	EMBLEM, CYLINDER BLOCK L.	1		
BOLT, STUD, 10X90 (ADD 0.1 FOR EACH.)	1.0	6	11131-MC7-000	HOLDER, TRANSMISSION	1		
		7	11132-MC7-000	DRIFICE, 8MM	1		
		8	11140-ME2-000	CAP COMP., CRANKSHAFT	1		
		9	11146-ME2-000	JET COMP., R. OIL	1		
		10	11365-ME2-000	SEPARATOR COMP., OIL	1		
		11	12901-413-000	VALVE, OIL CONTROL DRIFICE	2		
		12	13323-MC7-305	BEARING A, MAIN (BLUE)	2		
		13	13324-MC7-305	BEARING B, MAIN (BLACK)	2		
		13	13325-MC7-305	BEARING C, MAIN (BROWN)	2		
		14	15135-300-000	COLLAR, O-RING	3		
		14	15650-449-000	GAUGE, OIL LEVEL	1		
		15	90003-MC7-000	BOLT, FLANGE, 6X20	4		
		16	90461-357-000	WASHER, SEALING, 12MM	2		
		17	91301-250-000	O-RING, 22X3.0	1		
		18	91301-268-020	O-RING, 14MM	3		
		19	91303-001-000	O-RING, 8MM	1		
		20	91308-MC7-000	O-RING, 8.2X1.5	1		
		21	92700-10090-08	BOLT, STUD, 10X90	2		
		22	93700-04008-06	SCREW, OVAL, 4X8	2		
		23	93901-34120	SCREW, TAPPING, 4X8	4		

Crankshaft bearing selection (Oil clearance 30~60 μ)

Cylinder block end bearing	Crankshaft I.D. O.D. 46φ	Area code
0	+0.010	13324-MC7-305 B (Black)
+0.010	+0.020	13324-MC7-305 A (Blue)

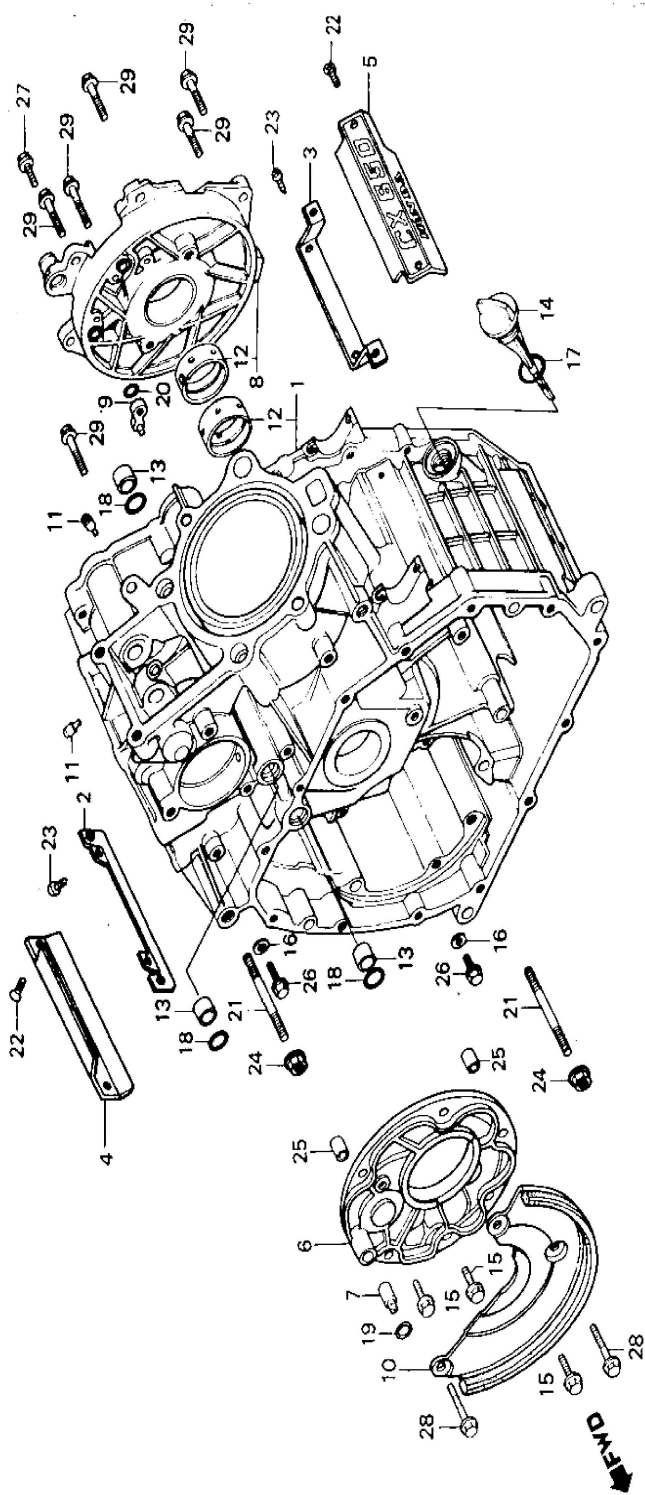
D 5

E-18

Cylinder block

Bloc moteur

Zylinderblock



Service item	F.R.T.	Ref. No.	Part No.	Description	Reqd. No. CX650Ed	Serial No.	Area code
		24	94050-10000	NUT, FLANGE, 10MM	2		
		25	94301-08140	PIN A, DOWEL, 8X14	2		
		26	95700-06012-00	BOLT, FLANGE, 6X12	2		
		27	95700-06016-00	BOLT, FLANGE, 6X16	1		
		28	95700-06032-00	BOLT, FLANGE, 6X32	2		
		29	95700-08025-00	BOLT, FLANGE, 8X25	7		

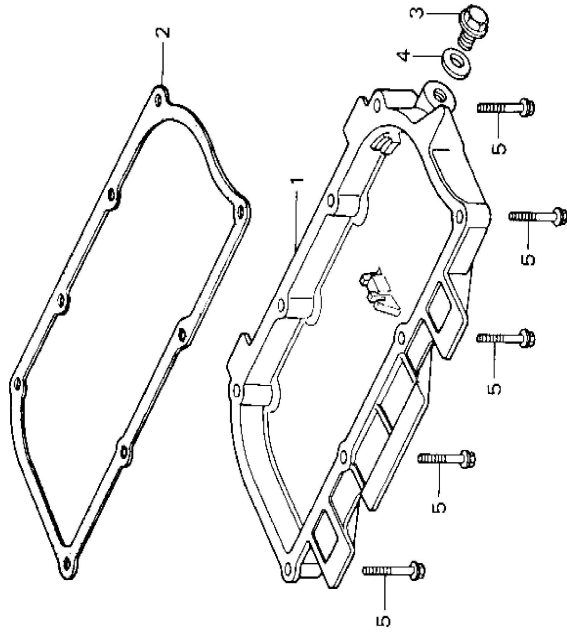


E-19

Oil pan

Carter

Oelwanne



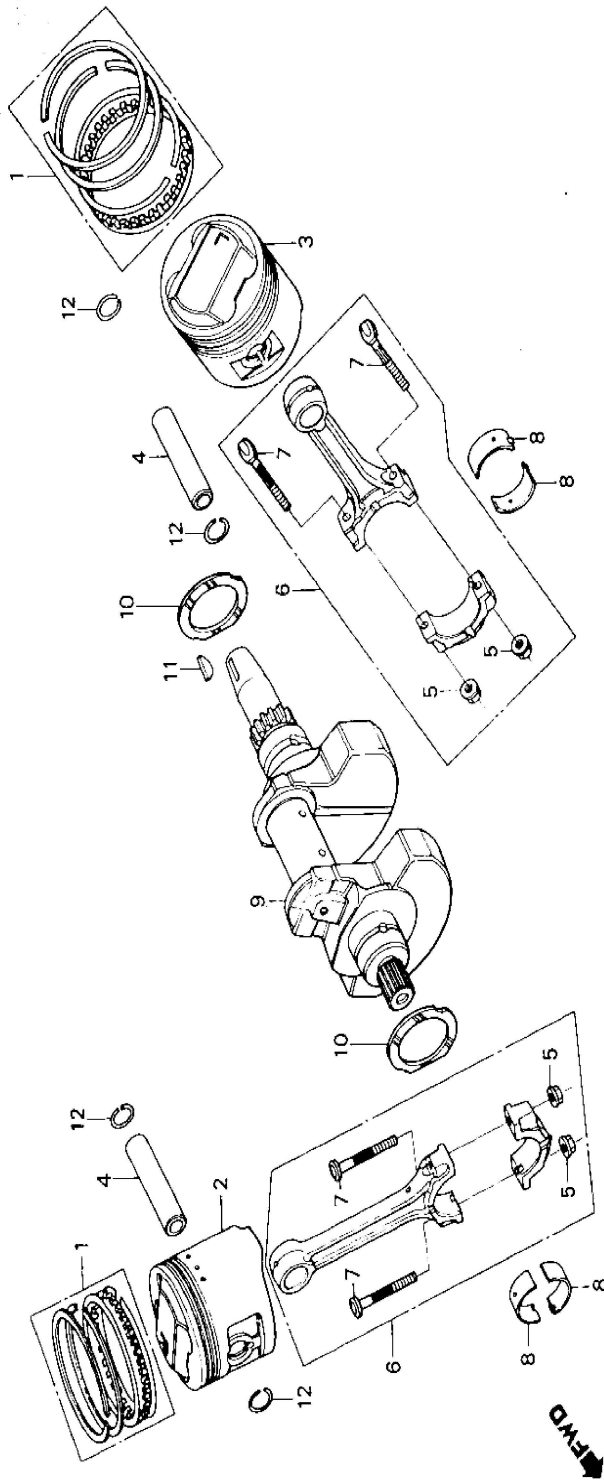
←FWD

Service item	F.R.T.	Ref. No.	Part No.	Description	Reqd. No. CX650Ed	Serial No.	Area code
PAN, OIL	0.5	1	11121-ME2-010	PAN, OIL	1		
.GASKET, OIL PAN		2	11128-ME2-000	GASKET, OIL PAN	1		
		3	92800-14000	BOLT, DRAIN PLUG, 14MM	1		
		4	94109-14000	WASHER, DRAIN PLUG, 14MM	1		
		5	96000-06040-00	BOLT, FLANGE, 6X40	8		

D 7

E-20

Crankshaft · Piston
 Vilebrequin · Piston
 Kurbelwelle · Kolben



BME2

Service item	F.R.T.	Ref. No.	Part No.	Description	Reqd. No. CX650ED	Serial No.	Area code
RING SET, PISTON (L. SIDE *4.3)	2.9	1	13011-ME2-004	RING SET, PISTON (STD. RIKEN)	2		
PISTON, R. (L. SIDE *4.3)		2	13021-ME2-004	PISTON (0.25)	(2)		
PISTON, R. (L. SIDE *4.3)		2	13031-ME2-004	PISTON (0.50)	(2)		
PIN, PISTON (L. SIDE *4.2)	2.8	3	13101-ME2-000	PISTON, R. (STD.)	1		
ROD ASSY., CONNECTING (L. SIDE *4.3)	3.7	3	13103-ME2-000	PISTON, R. (0.25)	(1)		
CRANKSHAFT COMP.	*6.7	4	13105-ME2-000	PISTON, R. (0.50)	(1)		
		5	13102-ME2-000	PISTON, L. (STD.)	1		
		6	13104-ME2-000	PISTON, L. (0.25)	(1)		
		7	13106-ME2-000	PISTON, L. (0.50)	(1)		
		8	13111-ME2-000	PIN, PISTON	(1)		
		9	13205-ME2-000	NUT, CONNECTING ROD	2		
		10	13210-ME2-000	ROD ASSY., CONNECTING	4		
		11	13213-ME2-000	BOLT, CONNECTING ROD	2		
		12	13216-ME2-003	BEARING B, CONNECTING ROD	4		
		13	13217-ME2-003	BEARING C, CONNECTING ROD	4		
		14	13218-ME2-003	BEARING D, CONNECTING ROD	4		
		15	13219-ME2-003	BEARING E, CONNECTING ROD	4		
		16	13220-ME2-003	BEARING F, CONNECTING ROD	4		
		17	13300-ME2-000	CRANKSHAFT COMP.	1		
		18	13326-ME2-003	WASHER, CRANK SIDE	2		

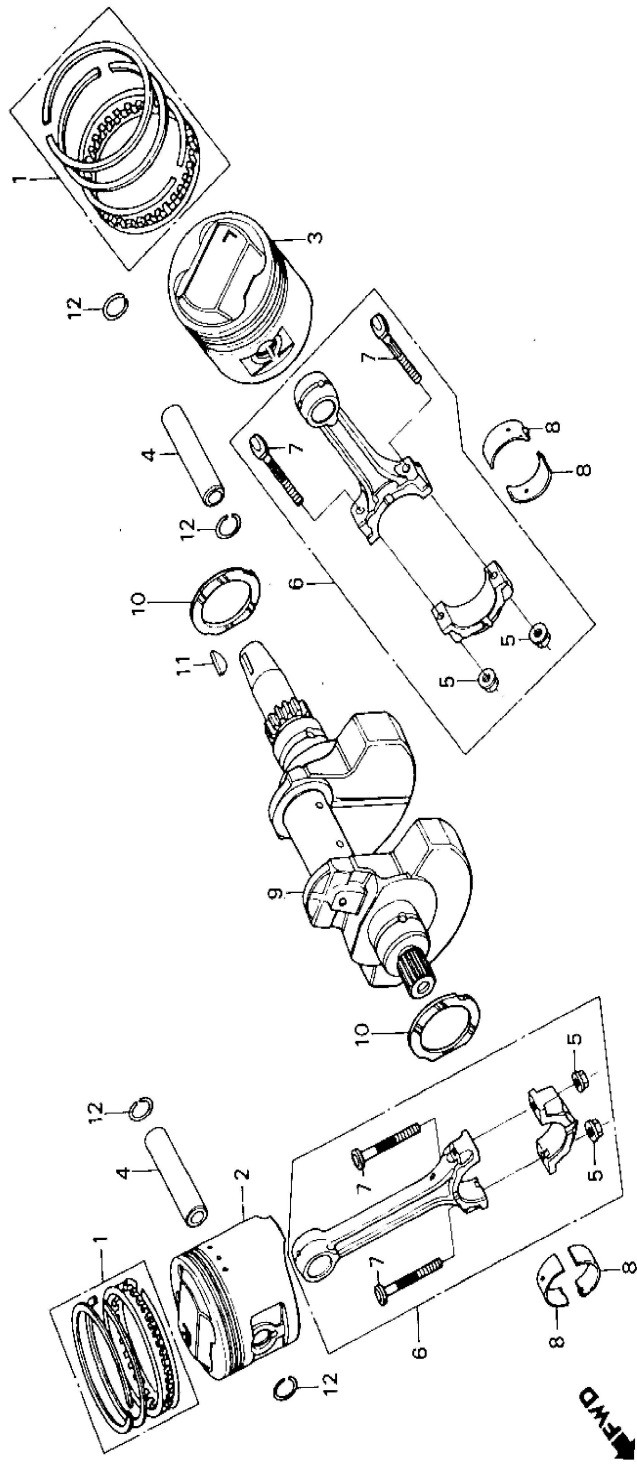
Connecting rod bearing selection
 (Oil clearance 28~52 m)

Connecting rod I.D.	1	2	3
Crank pin O.D. 48φ	0~+0.008	+0.008~+0.016	+0.016~+0.024
A	1320-ME2-003 F (Pink)	13219-ME2-003 E (Yellow)	13218-ME2-008 D (Green)
B	13219-ME2-003 Y (Yellow)	13218-ME2-003 D (Green)	13217-ME2-003 C (Brown)
C	13218-ME2-003 D (Green)	13217-ME2-003 C (Brown)	13216-ME2-003 B (Black)

D 8

E-20

Crankshaft · Piston
Vilebrequin · Piston
Kurbelwelle · Kolben



BME2

Service item

F.R.T.

Part No.

Description

Reqd. No.
CX650Ed

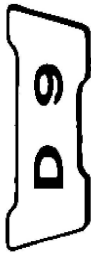
Serial No.

Area code

11 13331-357-000
12 94601-21000

KEY, SPECIAL WOODRUFF, 25X18
CLIP, PISTON PIN, 21MM

1
4

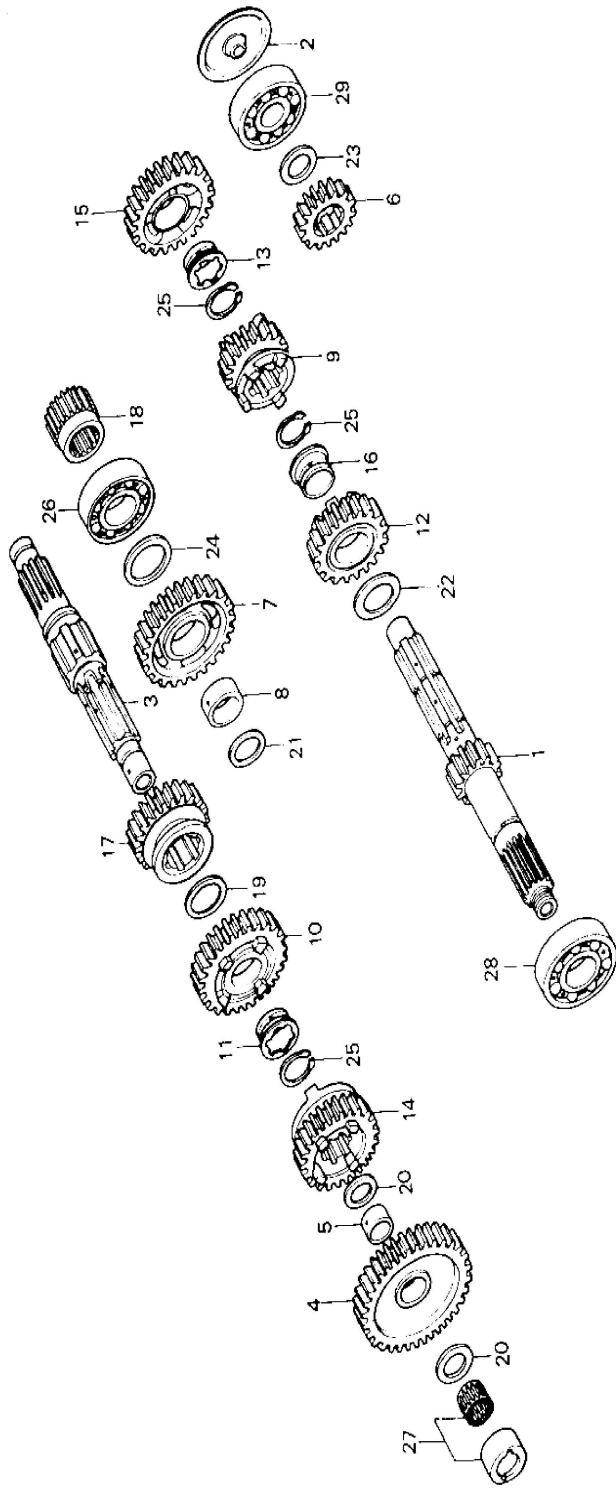


E-21

Transmission

Transmission

Getriebe



←FWD

BMC7-5

Service item	F.R.T.	Ref. No.	Part No.	Description	Reqd. No. CX650Ed	Serial No.	Area code
MAINSHAFT COMP., TRANSMISSION (INC. RELATIVE PART)	*3.9	1	23211-ME2-010	MAINSHAFT COMP., TRANSMISSION (16T)	1		
COUNTERSHAFT, TRANSMISSION (INC. RELATIVE PART)		2	23219-415-000	PLATE, OIL GUIDE	1		
COLLAR, COUNTERSHAFT	*3.1	3	23220-ME2-000	COUNTERSHAFT, TRANSMISSION	1		
		4	23421-ME2-000	GEAR, COUNTERSHAFT FIRST (40T)	1		
		5	23422-MC7-000	BUSH, 20X24X11	1		
		6	23431-MC7-000	GEAR, MAINSHAFT SECOND (21T)	1		
		7	23441-ME2-000	GEAR, COUNTERSHAFT SECOND (36T)	1		
		8	23442-MC7-000	BUSH, 27.5X31X11.5	1		
		9	23451-ME2-000	GEAR, MAINSHAFT THIRD (25T)	1		
		10	23461-ME2-000	GEAR, COUNTERSHAFT THIRD (32T)	1		
		11	23462-MC7-000	BUSH, 25X29X11.5	1		
		12	23471-ME2-000	GEAR, MAINSHAFT FOURTH (28T)	1		
		13	23472-MC7-000	BUSH, SPLINE	1		
		14	23481-ME2-000	GEAR, COUNTERSHAFT FOURTH (29T)	1		
		15	23491-ME2-010	GEAR, MAINSHAFT FIFTH (31T)	1		
		16	23492-ME2-000	BUSH, SPLINE	1		
		17	23501-ME2-010	GEAR, COUNTERSHAFT FIFTH (26T)	1		
		18	23522-415-000	COLLAR, COUNTERSHAFT	1		
		19	90446-430-000	WASHER, THRUST, 25.2X34	1		

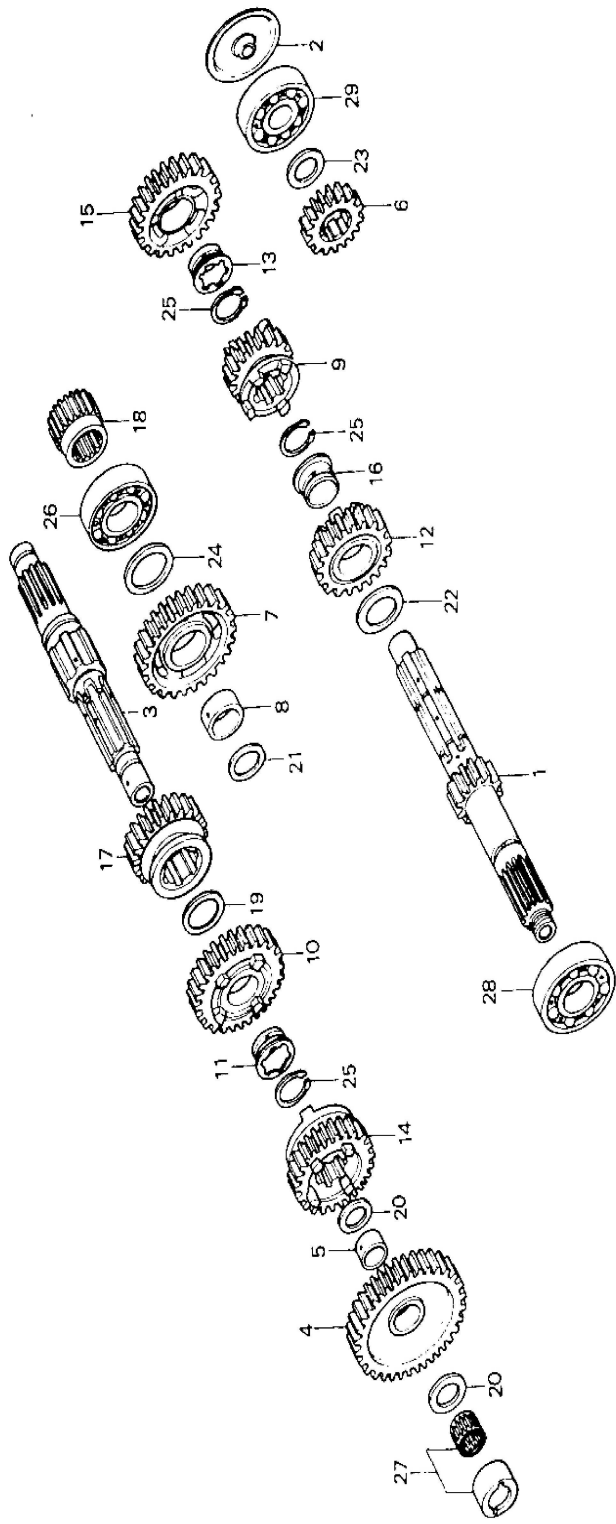
D 10

E-21

Transmission

Transmission

Getriebe



FWD

Service item	F.R.T.	Ref. No.	Part No.	Description	Reqd. No. CX650ED	Serial No.	Area code
		20	90454-428-000	WASHER, THRUST, 20MM	2		
		21	90455-MC7-000	WASHER, THRUST, 27.5MM	1		
		22	90459-357-000	WASHER C, THRUST, 25MM	1		
		23	90461-MC7-000	WASHER A, THRUST, 20MM	1		
		24	90466-MC7-000	WASHER A, THRUST, 25MM	1		
		25	90601-300-000	CIRCLIP, 25MM	3		
		26	91010-MC7-003	BEARING, SPECIAL BALL, 6205	1		
		27	91022-426-008	BEARING, NEEDLE, 20MM (TOYO)	1		
		28	96100-63051-00	BEARING, RADIAL BALL, 6305	1		
		29	96140-62040-00	BEARING, RADIAL BALL, 6204U	1		

D 11

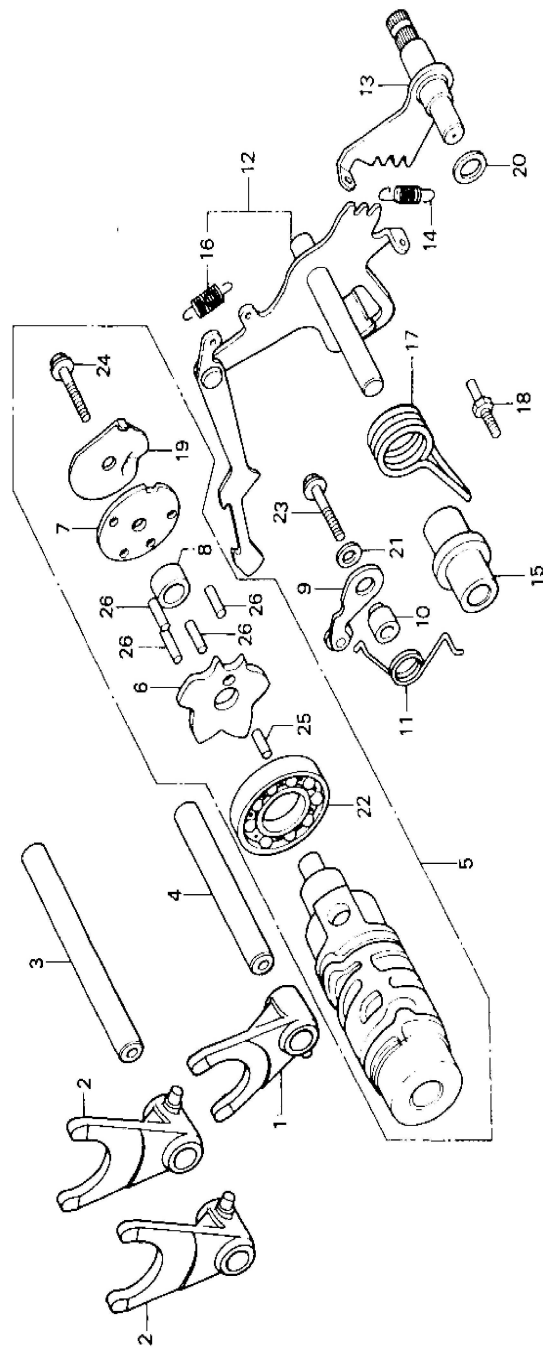
E-22

Shift drum · Shift fork

Tambour de changement de vitesse ·
Schaltwalze · Schalthebel

Schaltwalze · Schalthebel

←FWD



BME2-13

Service item	F.R.T.	Ref. No.	Part No.	Description	Reqd. No. CX650ED	Serial No.	Area code
FORK, MAINSHAFT THIRD GEARSHIFT	*3.7	1	24216-ME2-000	FORK, MAINSHAFT THIRD GEARSHIFT	1		
(INC. RELATIVE PART) (ONE OR ALL)		2	24221-ME2-000	FORK, COUNTERSHAFT FIFTH GEARSHIFT	2		
DRUM COMP., GEARSHIFT		3	24241-MC7-000	SHAFT A, GEARSHIFT FORK GUIDE	1		
DRUM COMP., GEARSHIFT		4	24242-MC7-000	SHAFT B, GEARSHIFT FORK GUIDE	1		
(INC. RELATIVE PART)	*3.2	5	24300-MC7-000	DRUM COMP., GEARSHIFT	1		
STOPPER COMP., GEARSHIFT DRUM		6	24303-MC7-000	PLATE, DRUM CAM	1		
(INC. RELATIVE PART)		7	24304-415-000	PLATE, DRUM CENTER	1		
ARM COMP., GEARSHIFT		8	24305-415-000	COLLAR, DRUM CENTER	1		
(INC. RELATIVE PART)		9	24430-413-000	STOPPER COMP., GEARSHIFT DRUM	1		
SPINDLE COMP., GEARSHIFT		10	24432-413-000	COLLAR, GEARSHIFT DRUM STOPPER	1		
(INC. RELATIVE PART)		11	24435-415-000	SPRING, DRUM STOPPER	1		
		12	24610-415-000	ARM COMP., GEARSHIFT	1		
		13	24620-415-000	SPINDLE COMP., GEARSHIFT	1		
		14	24623-415-000	SPRING, GEARSHIFT	1		
		15	24624-415-000	COLLAR, GEARSHIFT ARM	1		
		16	24641-216-000	SPRING, GEARSHIFT ARM	1		
		17	24651-333-000	SPRING, GEARSHIFT RETURN	1		

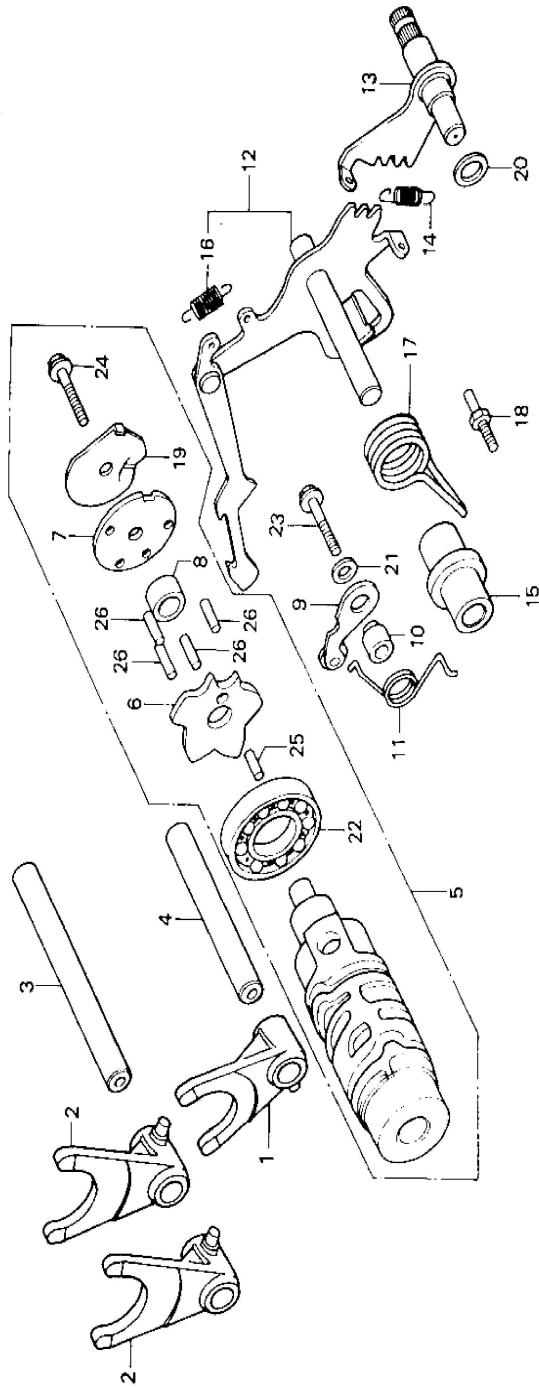
D 12

E-22

Shift drum · Shift fork

Tambour de changement de vitesse ·
Schaltwalze · Schalthebel

Schaltwalze · Schalthebel



FRW

BME2-U

Service item	F.R.T.	Ref. No.	Part No.	Description	Reqd. No. CX650ED	Serial No.	Area code
		18	24652-239-000	PIN, SHIFT RETURN SPRING	1		
		19	35753-415-000	PLATE, POINT	1		
		20	90451-708-000	WASHER, 12MM	1		
		21	90486-028-000	WASHER, SPARK ADVANCER SETTING	1		
		22	91008-374-003	BEARING, BALL, 16005 (TDYD)	1		
		23	95700-06025-00	BOLT, FLANGE, 6X25	1		
		24	95725-06025-00	BOLT, FLANGE, 6X25	1		
		25	96220-40118	ROLLER, 4X11.8	1		
		26	96220-40140	ROLLER, 4X14	4		

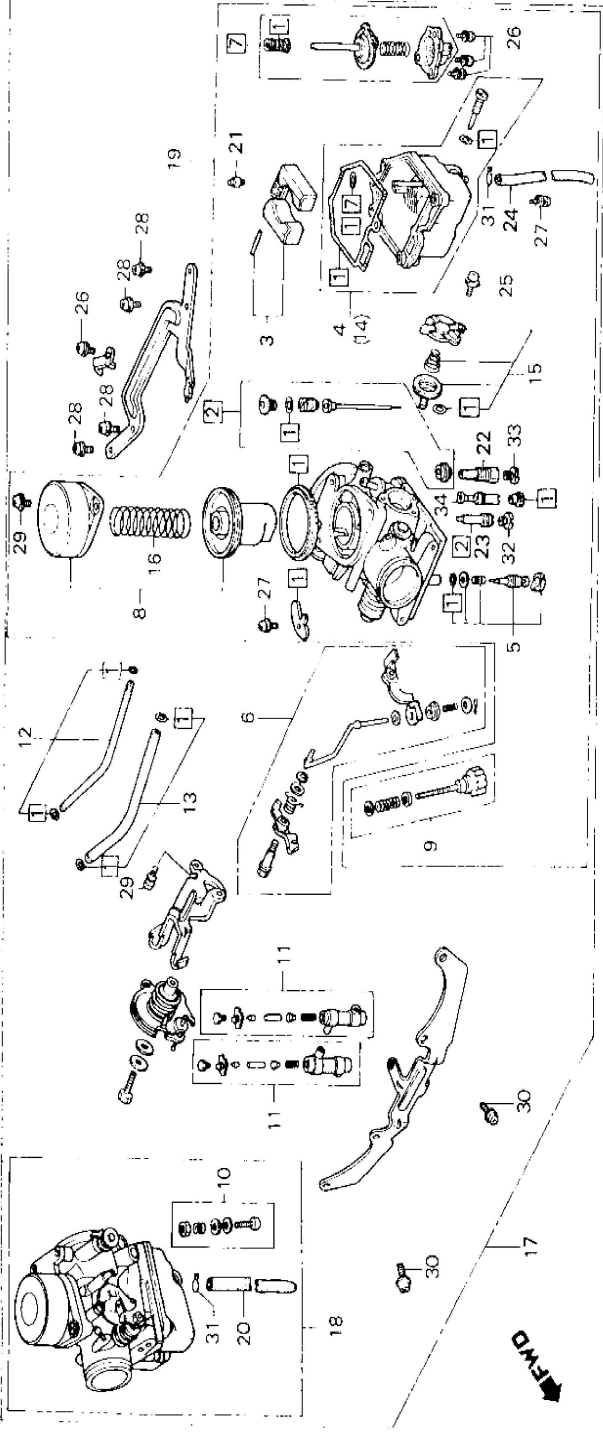
D 13

E-23

Carburetor

Carburateur

Bergaser



BME2-14

Service item	F.R.T.	Ref. No.	Part No.	Description	Reqd. No. CX650Ed	Serial No.	Area code
GASKET SET (ADD 0.4 FOR EACH.)	1.2	1	16010-ME2-621	GASKET SET	2		AR, B, E, ED, F, G1, G2, IT, ND, SA, SD, SW U
NEEDLE SET, JET	0.9	2	16010-ME2-671	PACKING SET	2		CM
CARBURETOR ASSY., R.		2	16012-ME2-621	NEEDLE SET, JET	2		AR, B, E, ED, F, G1, G2, IT, ND, SA, SD, SW U
CARBURETOR ASSY., L.		3	16012-MG0-721	NEEDLE SET, JET	2		CM
FLOAT SET	0.7	4	16013-413-751	FLOAT SET	2		AR, B, E, ED, F, G1, G2, IT, ND, SA, SD, SW U
CARBURETOR ASSY.		4	16015-MC8-671	CHAMBER SET, FLOAT	1		CM
VALVE COMP., FLOAT		5	16015-413-004	CHAMBER SET, FLOAT	1		AR, B, E, ED, F, G1, G2, IT, ND, SA, SD, SW U
JET, MAIN, #118	0.5	5	16016-402-004	SCREW SET A	2		CM
CHAMBER SET, FLOAT	0.6	6	16019-ME2-671	ROD SET, PUMP	1		AR, B, E, ED, F, G1, G2, IT, ND, SA, SD, SW U
DIAPHRAGM SET, PUMP	0.3	6	16020-ME2-621	ROD SET, PUMP	1		CM
PISTON SET, VACUUM	0.1	7	16021-ME2-671	DIAPHRAGM SET, PUMP	1		AR, B, E, ED, F, G1, G2, IT, ND, SA, SD, SW U
VALVE SET, AIR CUT		8	16022-470-671	PISTON SET, VACUUM	2		CM
		9	16028-ME2-671	SCREW SET B	1		CM
		10	16029-443-851	SCREW SET C	1		
		11	16030-ME2-671	HOLDER SET, ADJUSTING	2		
		12	16034-ME2-671	JOINT SET, FUEL	1		
		13	16037-ME2-671	JOINT SET, FUEL	1		CM
		14	16045-425-671	CHAMBER SET C, FLOAT	1		
		15	16048-KB7-004	VALVE SET, AIR CUT	2		
		16	16050-ME2-671	SPRING, VACUUM PISTON	2		
		17	16100-ME2-612	CARBURETOR ASSY.	1		G1
			16100-ME2-623	CARBURETOR ASSY.	1		AR, B, E, ED, F, IT, ND, SA, SD, SW
			16100-ME2-713	CARBURETOR ASSY.	1		G2
			16100-MG0-721	CARBURETOR ASSY.	1		CM

1982.10.01

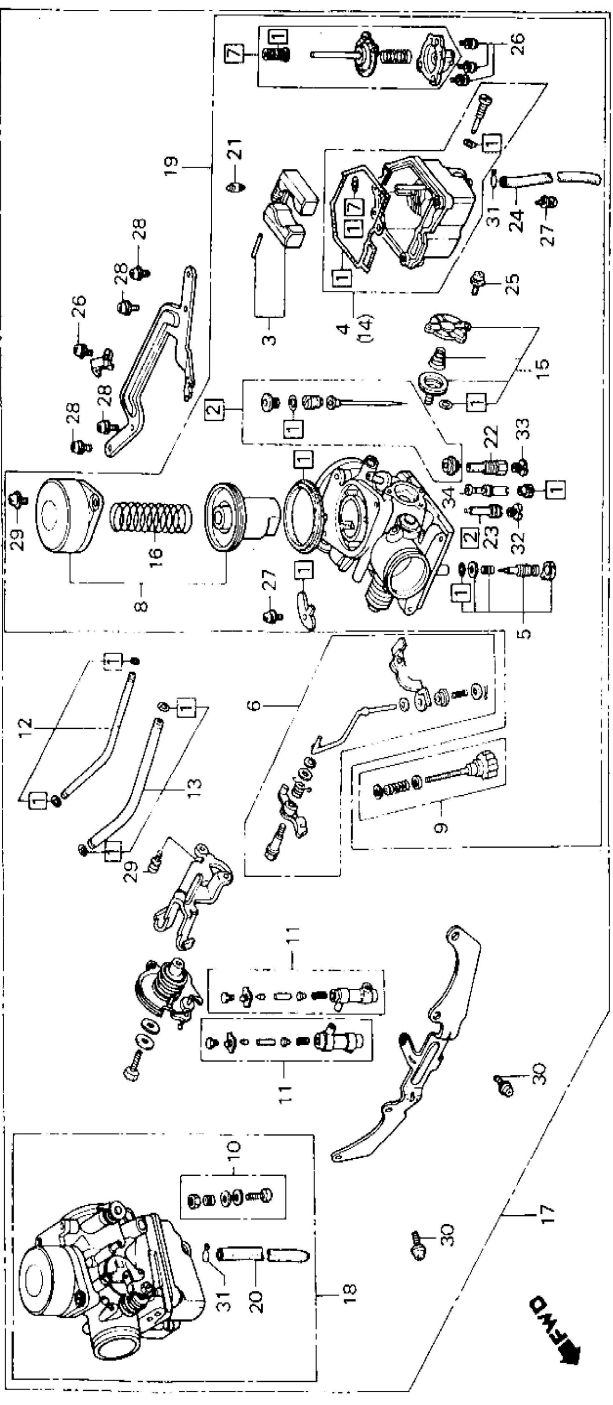
E

013

D 14

E-23

Carburetor
 Carburateur
 Bergaser



EME2-14

Service item	F.R.T.	Ref. No.	Part No.	Description	Reqd. No. CX650ED	Serial No.	Area code
		18	16101-ME2-611	CARBURETOR ASSY., R.	1		G1
			16101-ME2-621	CARBURETOR ASSY., R.	1		AR, B, E, ED, F, IT, ND, SA, SD, SW, U
			16101-ME2-711	CARBURETOR ASSY., R.	1		G2
		19	16101-MG0-721	CARBURETOR ASSY., R.	1		CM
			16102-ME2-611	CARBURETOR ASSY., L.	1		G1
			16102-ME2-621	CARBURETOR ASSY., L.	1		AR, B, E, ED, F, IT, ND, SA, SD, SW, U
			16102-ME2-711	CARBURETOR ASSY., L.	1		G2
			16102-MG0-721	CARBURETOR ASSY., L.	1		CM
		20	16144-MA1-671	TUBE, OVER FLOW	1		
		21	16155-413-751	VALVE COMP., FLOAT	2		
		22	16165-449-771	HOLDER, NEEDLE JET	2		
		23	16166-ME2-671	NOZZLE, MAIN	2		
		24	16199-460-671	TUBE, OVERFLOW	1		
		25	93892-04010-00	SCREW-WASHER, 4X10	4		
		26	93892-04012-00	SCREW-WASHER, 4X12	1		
		27	93892-04016-00	SCREW-WASHER, 4X16	4		AR, B, E, ED, F, G1, G2, IT, ND, SA, SD, SW
		28	93892-05012-00	SCREW-WASHER, 5X12	8		U
		29	93892-05016-00	SCREW-WASHER, 5X16	5		CM
		30	93892-06014-00	SCREW-WASHER, 6X14	4		
		31	95002-02650	CLIP B6.5, TUBE	2		
		32	99101-393-0720	JET, PRIMARY MAIN, #72	2		
		33	99101-393-0780	JET, MAIN, #78	2		AR, B, E, ED, F, G1, G2, IT, ND, SA, SD, SW
			99102-393-1150	JET, SECONDARY MAIN, #115	2		U
							CM
							G2
			1982.10.01	E			
							D14

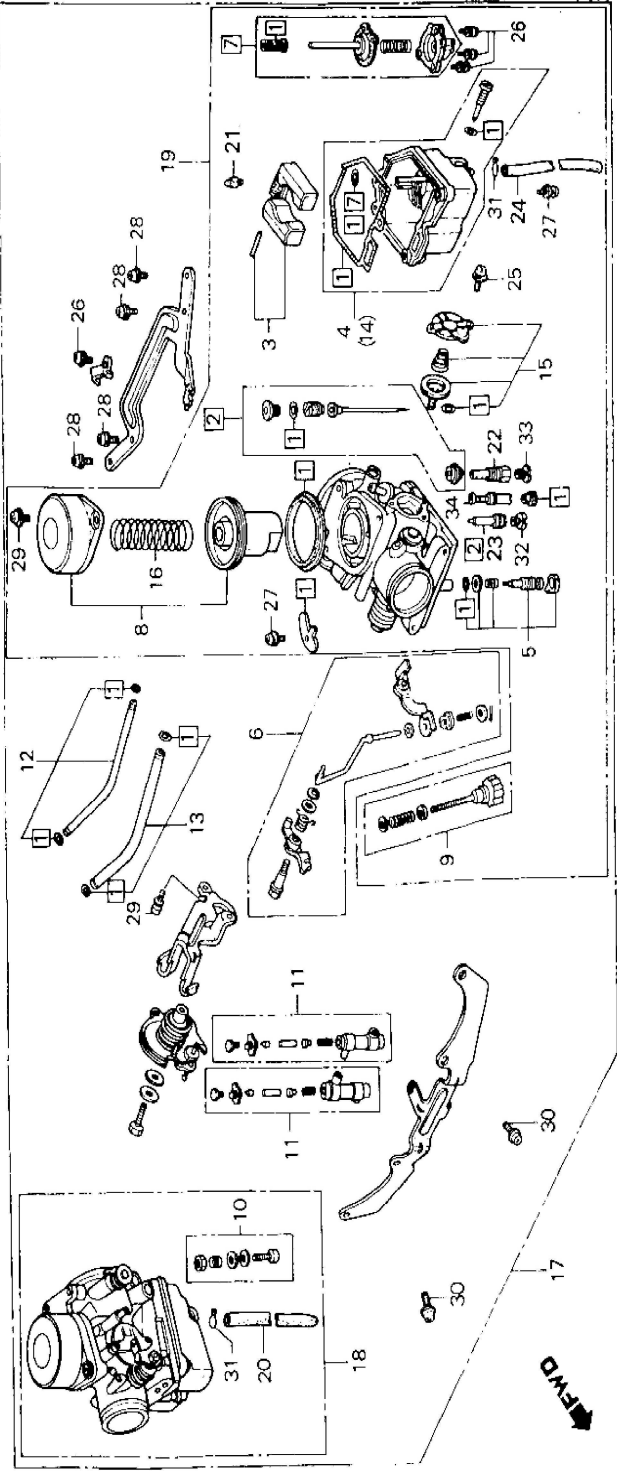
D 15

E-23

Carburetor

Carburateur

Bergaser



Service item	F.R.T.	Ref. No.	Part No.	Description	Reqd. No.	Serial No.	Area code
			99102-393-1180	JET, MAIN, #118	2		AR, B, CM, E, ED, F, G1, IT, ND, R, U
		34	99103-MA1-0450	JET, SLOW, #45	2		

1982.10.01

E

D15



EOP-1

Gasket Ket A

Trousse de joint A

Dichtung Satz A

Service item	F.R.T.	Ref. No.	Part No.	Description	Reqd. No. CX650ED	Serial No.	Area code
			061A1-ME2-000	GASKET KIT A (COMPONENT PARTS)	1		
		1	12209-300-003	SEAL, VALVE STEM	8		
		2	12230-449-700	GASKET, CAMSHAFT HOLDER	1		
		3	12251-ME2-000	GASKET, CYLINDER HEAD	2		
		4	12328-415-000	GASKET, HEAD COVER	2		
		5	12329-415-000	GASKET, PLUG HOLE	2		
		6	18291-286-000	GASKET, EX. PIPE	2		
		7	91302-044-013	O-RING, 6.9X1.5	2		
		8	91302-371-003	O-RING, 21.9X2.3	4		
		9	91302-415-003	SEAL, WATER PIPE	1		
		10	91302-657-000	O-RING, 53.8X3.1	1		
		11	91307-611-000	O-RING, 13.5X1.4	2		
		12	91325-567-005	O-RING, 40X2.4	2		
		13	94608-50000	O-RING, 23X2.8	2		



EOP-2

Gasket Ket B

Trousse de joint B

Dichtung Satz B

Service item	F.R.T.	Ref. No.	Part No.	Description	Reqd. No. CX650Ed	Serial No.	Area code
			061B1-ME2-000	GASKET KIT B (COMPONENT PARTS)	1		
		1	11128-ME2-000	GASKET, OIL PAN	1		
		2	11372-449-700	GASKET, CLUTCH COVER	1		
		3	11391-ME2-000	GASKET, TRANSMISSION COVER	1		
		4	11394-449-701	GASKET, RR. COVER	1		
		5	11396-415-000	GASKET, WATER PUMP BASE	1		
		6	16997-357-003	O-RING, 11.8X2.4	2		
		7	30373-MC7-000	GASKET, PULSER COVER	1		
		8	91301-250-000	O-RING, 22X3.0	1		
		9	91301-268-020	O-RING, 14MM	4		
		10	91302-001-000	O-RING, 27.5MM	2		
		11	91302-377-000	O-RING, 15X2.5	2		
		12	91303-001-000	O-RING, 8MM	1		
		13	91311-415-000	O-RING, 81X4.5	1		
		14	91363-MC7-004	O-RING, 15.3X3.5	1		
		15	94608-50000	O-RING, 23X2.8	2		

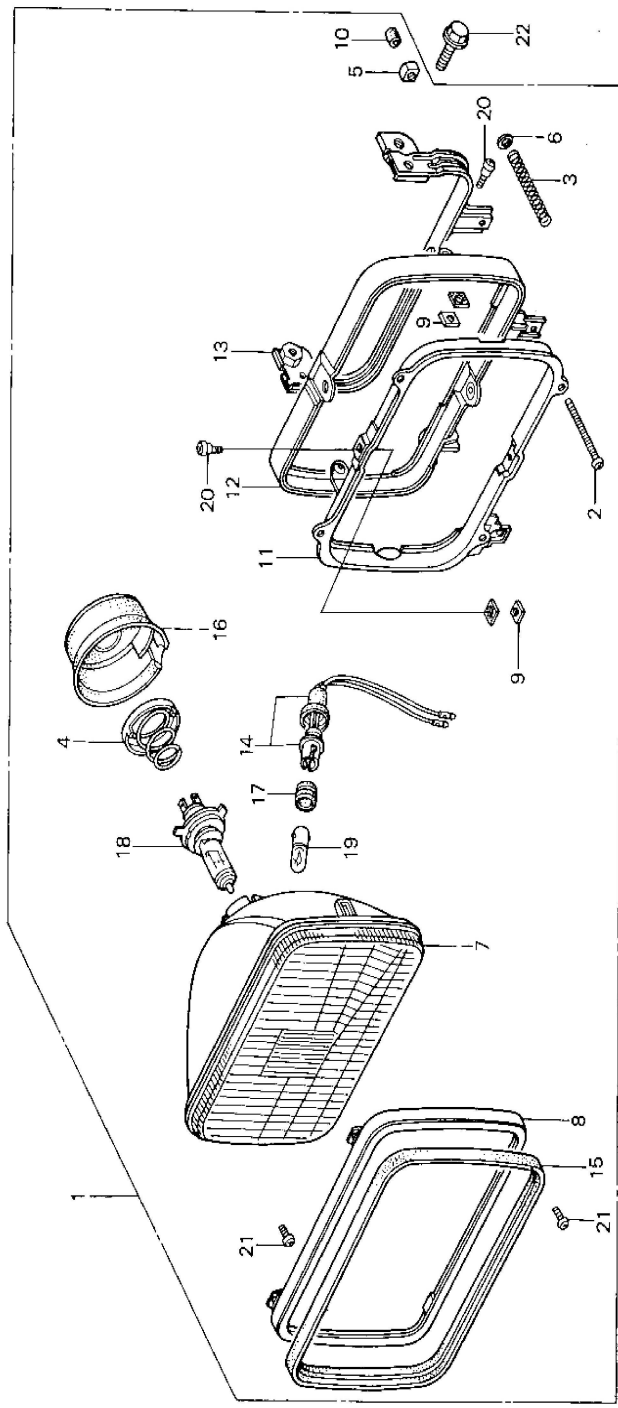
F 2

F-1

Headlight

Phare

Scheinwerfer



BMC5

Service item	F.R.T.	Ref. No.	Part No.	Description	Read. No. CX650ED	Serial No.	Area code
HEADLIGHT ASSY.	0.2	1	33100-MC5-003	HEADLIGHT ASSY.	1	U	
SOCKET ASSY., POSITION LIGHT	0.3	1	33100-MC5-601	HEADLIGHT ASSY.	1	E	
HEADLIGHT UNIT (INC. RELATIVE PART)		1	33100-MC5-611	HEADLIGHT ASSY.	1	AR,B,ED,G1,G2,IT,ND,SA,SD,SW	
BRACKET, HEADLIGHT	0.4	2	33100-MC5-621	HEADLIGHT ASSY. (12V 60/55W)	1	F	
RING, MOUNTING		2	33100-MC5-671	SCREW, BEAM ADJUSTING	2	CM	
RING B, MOUNTING		3	33103-MC5-003	SPRING, HEADLIGHT BEAM ADJUSTING	2		
BULB, HEADLIGHT	0.1	4	33114-MC5-003	COVER, BULB	1		
H4 BULB		5	33118-438-841	NUT, BEAM ADJUSTING	2		
		6	33119-371-003	WASHER, BEAM ADJUSTING	2		
		7	33120-MC5-003	HEADLIGHT UNIT	1		
			33120-MC5-601	HEADLIGHT UNIT	1		
			33120-MC5-611	HEADLIGHT UNIT	1		
			33120-MC5-671	HEADLIGHT UNIT	1		
		8	33121-MC5-003	RING, RETAINING	1		
		9	33128-438-841	NUT, UNIT HOLDER	1		
		10	33136-426-830	COVER, SCREW	4		
					2		
		11	33153-MC5-003	RING, MOUNTING	1		
		12	33154-MC5-003	RING B, MOUNTING	1		
		13	33156-MC5-003	BRACKET, HEADLIGHT	1		
		14	33170-MC5-611	SOCKET ASSY., POSITION LIGHT	1		
		15	33171-MC5-000	RUBBER, HEADLIGHT SHIELD	1		
		16	33180-MC5-003	COVER, RUBBER	1		
							AR,B,E,ED,F,G1,G2,IT,ND,SA,SD,SW
							U

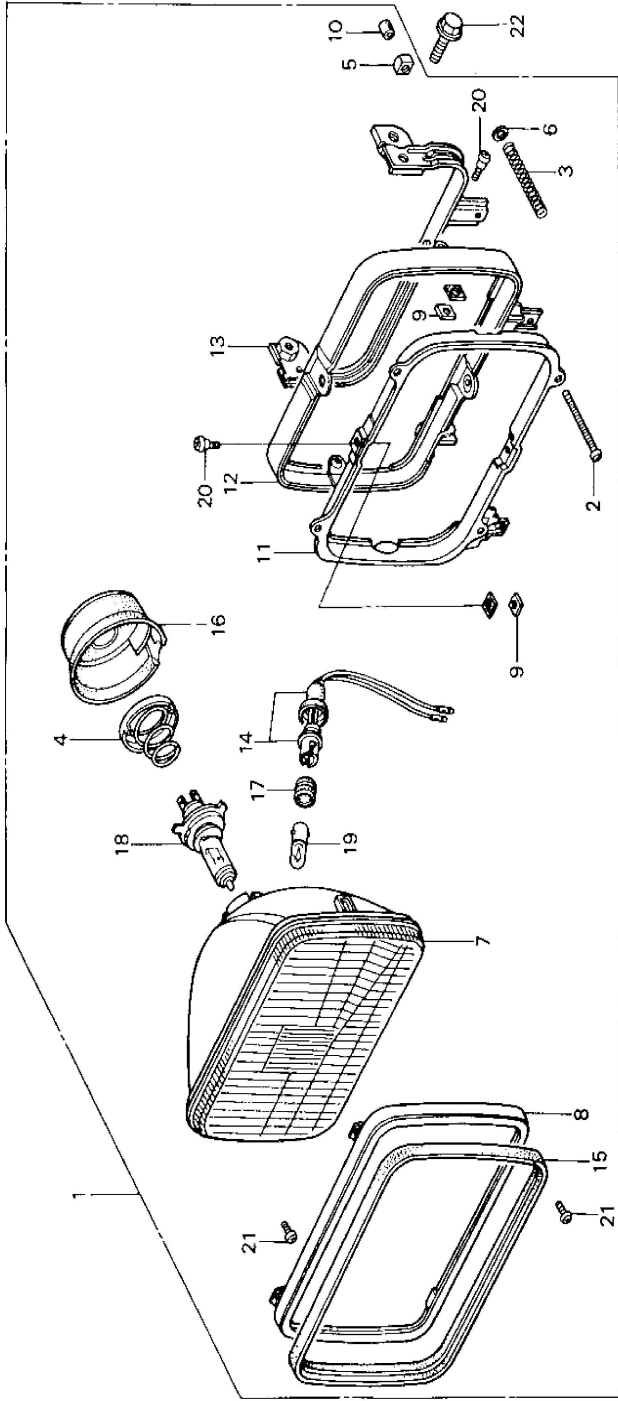
F 3

F-1

Headlight

Phare

Scheinwerfer

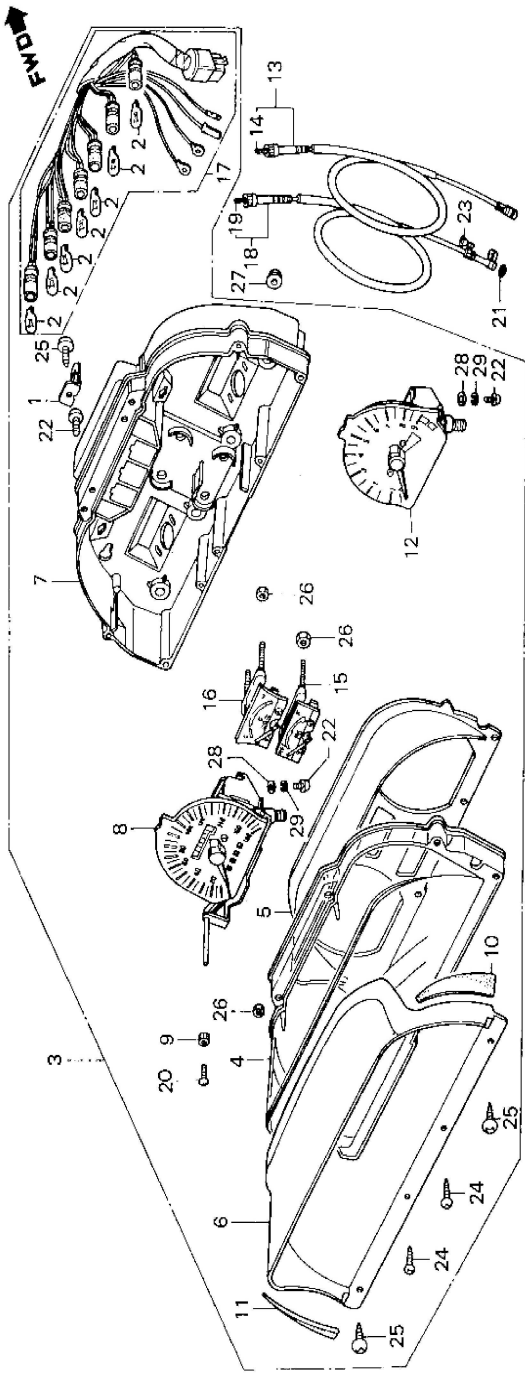


BMC5-3

Service item	F.R.T.	Ref. No.	Part No.	Description	Reqd. No. CX650ED	Serial No.	Area code
		17	33905-MC5-601	RUBBER, JOINT	1		AR,B,E,ED,F,G1,G2,IT,ND,SA,SD,SW
		18	34901-MC7-601	BULB, HEADLIGHT (H4 JA12V60/55W)	1		U
			34901-371-621	H4 BULB(12342/99) MFD. BY PHI-LIPS (LOCAL PROCUREMENT PART)	1		AR,B,CH,E,ED,G1,G2,IT,ND,SA,SD,SW
		19	34903-071-003	BULB, MARKER LIGHT (12V 3.4W) (STANLEY)	1		U
			34903-388-611	BULB, POSITION (12V 4W) (LOCAL PROCUREMENT PART)	1		AR,B,E,ED,F,G1,G2,IT,ND,SA,SD,SW
		20	90150-MC5-003	SCREW, PAN, 5X9	2		
		21	93500-03008-1A	SCREW, PAN, 3X8	4		
		22	95700-10020-07	BOLT, FLANGE, 10X20	2		

F 4

F-2



BMC5-4A

Service item	F.R.T.	Ref. No.	Part No.	Description	Reqd. No. CX650ED	Serial No.	Area code
METER ASSY., COMBINATION	0.3	1	32445-MC5-008	HOLDER	1		
GLASS	0.2	2	34908-GA7-701	BULB, WEDGE BASE (12V3.4W)	7		
HOOD, METER		3	37100-MG0-600	METER ASSY., COMBINATION	1		E AR, B, ED, F, G1, G2, IT, ND, SA, SD, SW
COVER, METER UPPER		4	37100-MG0-610	METER ASSY., COMBINATION	1		U CM
CABLE ASSY., SPEEDOMETER	0.5	5	37100-MG0-710	METER ASSY., COMBINATION	1		
CASE, METER LOWER		6	37100-MG0-720	METER ASSY., COMBINATION	1		
METER COMP., FUEL		7	37102-MC5-008	GLASS	1		
METER COMP., TEMPERATURE		8	37109-MC5-000	HOOD, METER	1		
SPEEDOMETER ASSY.	0.4	9	37110-MC5-008	COVER, METER UPPER	1		
TACHOMETER ASSY.		10	37120-MC5-000	CASE, METER LOWER	1		
CABLE ASSY., TACHOMETER		11	37200-MC5-601	SPEEDOMETER ASSY.	1		
RUBBER ASSY., SOCKET		12	37200-MG0-610	SPEEDOMETER ASSY.	1		
CABLE, SPEEDOMETER INNER	0.1	13	37200-MG0-720	SPEEDOMETER ASSY.	1		
		14	37204-MC7-611	SPEEDOMETER ASSY.	1		
		15	37215-MC5-000	KNOB, TRIP METER	1		
		16	37216-MC5-000	SEAL, L. FAIRING	1		
		17	37216-MC5-000	SEAL, R. FAIRING	1		
		18	37250-MG0-600	TACHOMETER ASSY.	1		
		19	37250-MG0-710	TACHOMETER ASSY.	1		
		20	37260-449-840	CABLE ASSY., TACHOMETER	1		
		21	37261-300-000	CABLE, TACHOMETER INNER	1		
		22	37300-MG0-000	METER COMP., FUEL	1		
		23	37450-MG0-000	METER COMP., TEMPERATURE	1		
		24					
		25					
		26					
		27					
		28					
		29					

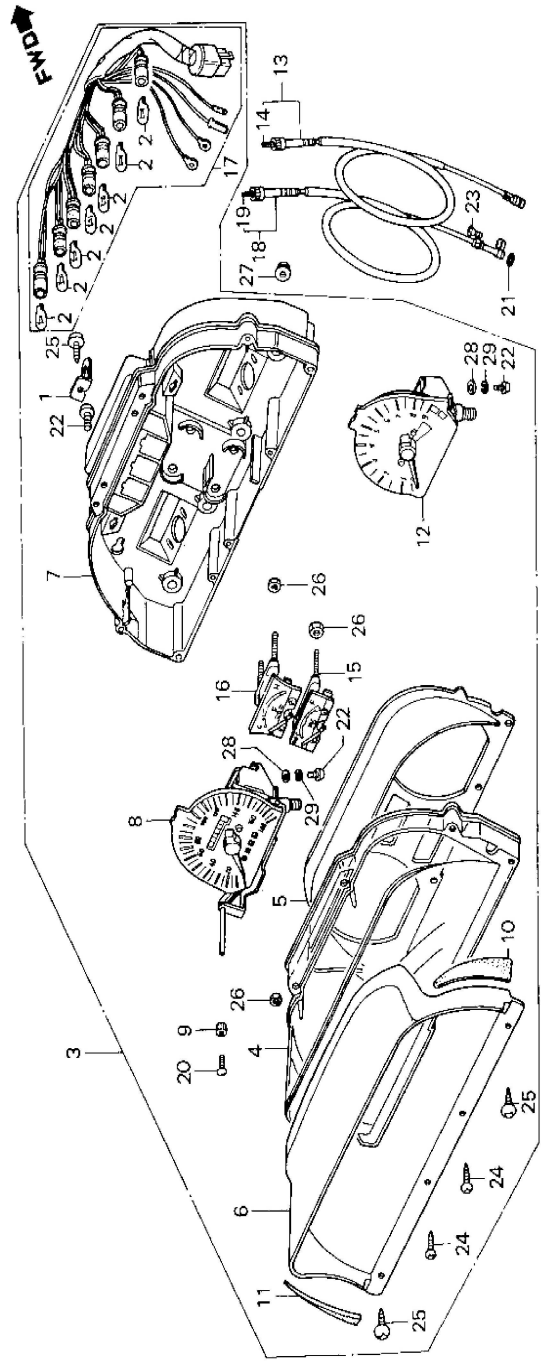
F 5

F-2

Meter

Phare

Scheinwerfer



BMC5-4A

Service item	F.R.T.	Ref. No.	Part No.	Description	Read. No. CX650Ed	Serial No.	Area code
		17	37619-MC5-000	RUBBER ASSY., SOCKET	1		
		18	44830-MC5-000	CABLE ASSY., SPEEDOMETER	1		
		19	44831-473-000	CABLE, SPEEDOMETER INNER	1		
		20	90600-MC7-611	SCREW, FLAT, 2.3X8	1		
		21	91301-027-000	O-RING, 6.8X1.9	1		
		22	93500-04016-1A	SCREW, PAN, 4X16	8		
		23	93700-05020-0G	SCREW, OVAL, 5X20	1		
		24	93903-24320	SCREW, TAPPING, 4X12	2		
		25	93903-34420	SCREW, TAPPING, 4X16	6		
		26	94001-04000	NUT, HEX., 4MM	8		
		27	94050-06000	NUT, FLANGE, 6MM	4		
		28	94101-04700	WASHER, PLAIN, 4MM	4		
		29	94111-04700	WASHER, SPRING, 4MM	4		

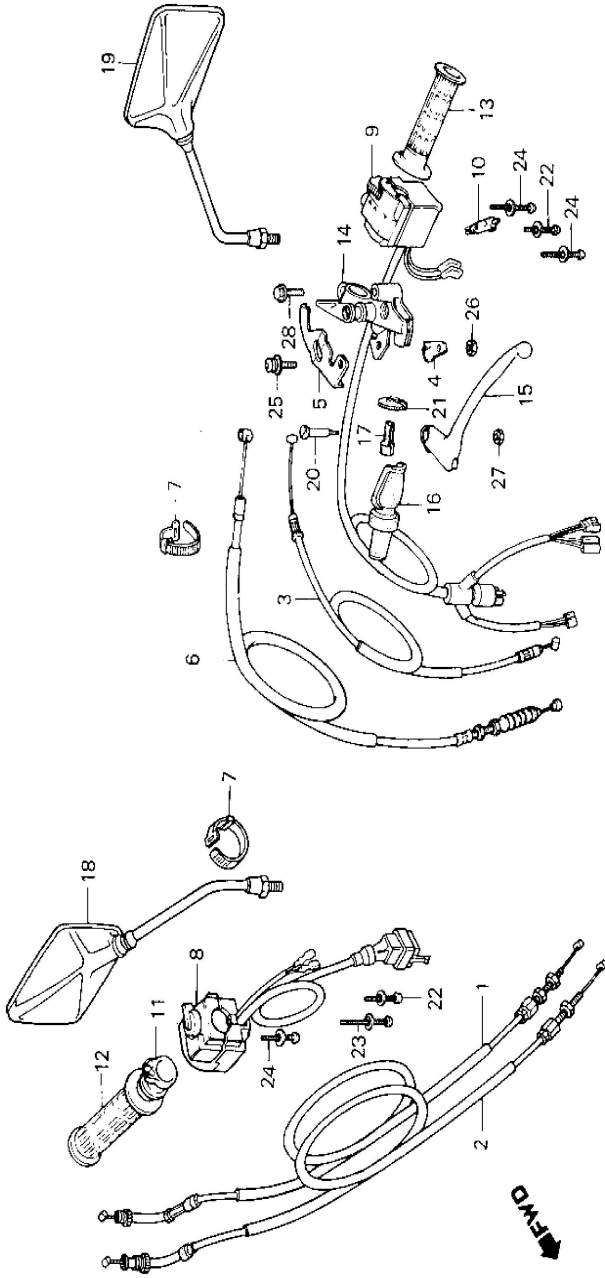
F 6

F-3

Handle lever · Switch · Cable

Levier de poignée ·
Interrupteur · Câble

Lenkstangenhabel · Schalter ·
Kabel



BMC5-5A

Service item	F.R.T.	Ref. No.	Part No.	Description	Reqd. No. CX650ED	Serial No.	Area code
CABLE COMP., THROTTLE (ONE OR ALL)	0.5	1	17910-MG0-000	CABLE COMP., A, THROTTLE	1		
SWITCH ASSY., WINKER		2	17920-MG0-000	CABLE COMP. B, THROTTLE	1		
CABLE COMP., CHOKE	0.3	3	17950-MG0-000	CABLE COMP., CHOKE	1		
CABLE COMP., CLUTCH		4	17963-422-000	HOLDER, CHOKE CABLE	1		
PIPE, THROTTLE GRIP		5	17964-MA2-000	COVER, CHOKE ARM	1		
SWITCH ASSY., STARTER KILL	0.6	6	22870-MG0-000	CABLE COMP., CLUTCH	1		
SWITCH COMP., FR. LEVER	0.1	7	32161-404-000	BAND B1, WIRE	2		
GRIP, R. HANDLE		8	35130-MG0-720	SWITCH ASSY., STARTER KILL	1		
GRIP, L. HANDLE			35150-MC5-000	SWITCH ASSY., STARTER KILL	1		
LEVER, L. STEERING HANDLE		9	35200-MG0-000	SWITCH ASSY., WINKER	1		CM AR, B, E, ED, F, G1, G2, IT, ND, SA, SD, SW
BRACKET ASSY., HANDLE LEVER	0.4		35200-MG0-630	SWITCH ASSY., WINKER	1		U AR, B, E, ED, F, G1, G2, ND, SA, SD, SW, U
		10	35330-413-003	SWITCH ASSY., WINKER	1		IT CM
				SWITCH COMP., FR. LEVER	1		
		11	53141-422-000	PIPE, THROTTLE GRIP	1		
		12	53165-422-000	GRIP, R. HANDLE	1		
		13	53166-422-000	GRIP, L. HANDLE	1		
		14	53170-MG0-000	BRACKET ASSY., HANDLE LEVER	1		
		15	53178-MA6-000	LEVER, L. STEERING HANDLE	1		
		16	53180-425-010	BOOT, HANDLE LEVER	1		
		17	53192-425-000	BOLT, CABLE ADJUSTING	1		
		18	88110-MC5-004	MIRROR, R. BACK	1		AR, CM, ED, G1, G2, IT, ND, SA, SD, SW

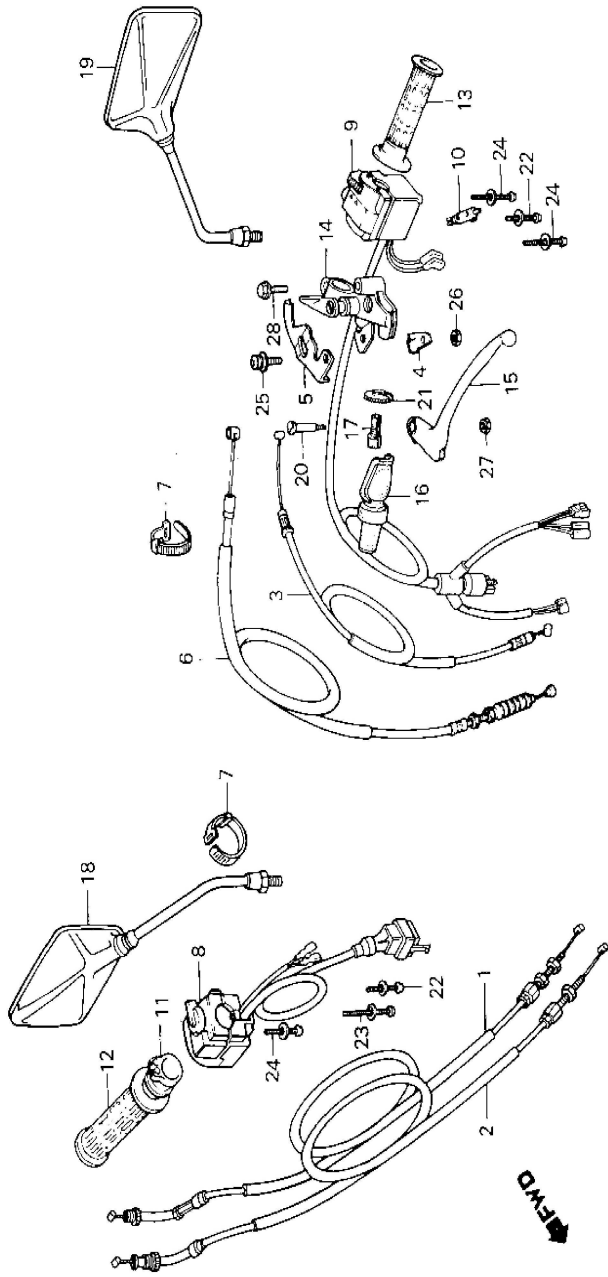
F 7

F-3

Handle lever · Switch · Cable

Levier de poignée · Interrupteur · Câble

Lenkstangenhabel · Schalter · Kabel



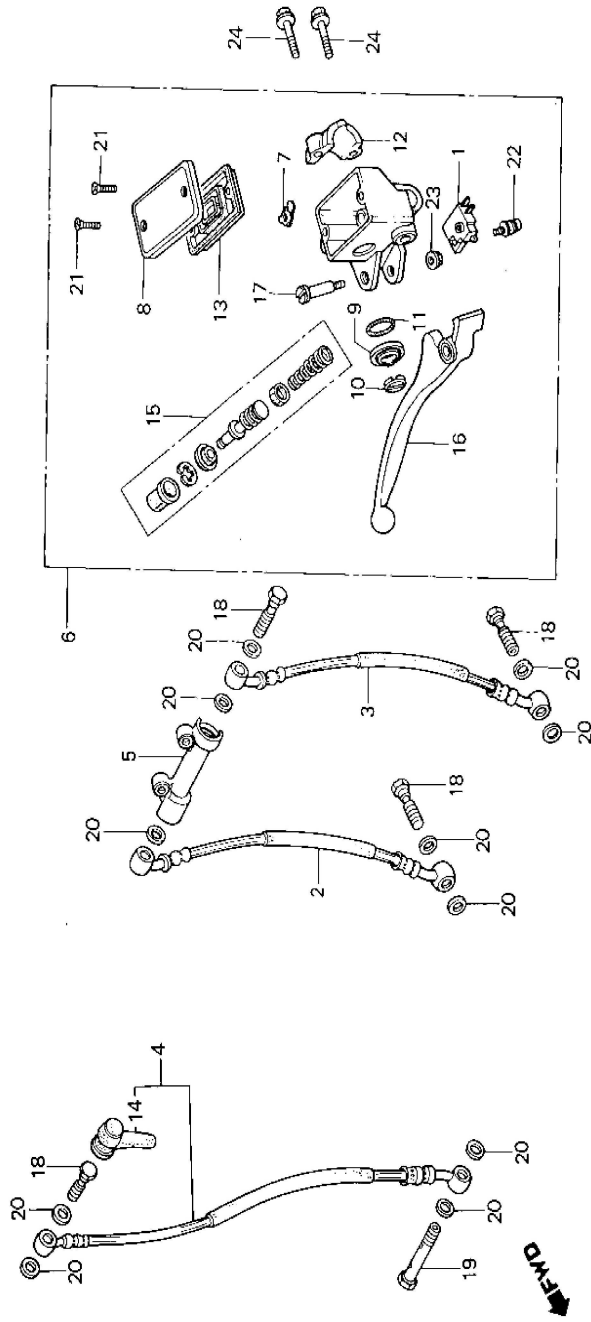
BMC5-5A

Service item	F.R.T.	Ref. No.	Part No.	Description	Reqd. No. CX650ED	Serial No.	Area code
		19	88110-MC5-602	MIRROR, R. BACK	1		B, E, F
			88110-MC5-711	MIRROR, R. BACK	1		U
			88120-MC5-004	MIRROR, L. BACK	1		AP, CM, ED, G1, G2, IT, ND, SA, SD, SW
			88120-MC5-602	MIRROR, L. BACK	1		B, E, F
		20	88120-MC5-711	MIRROR, L. BACK	1		U
			90113-438-000	BOLT, L. STEERING HANDLE LEVER PIVOT	1		
		21	90321-422-000	NUT, FIXING	1		
		22	93891-05030-07	SCREW-WASHER, 5X30	2		
		23	93891-05040-07	SCREW-WASHER, 5X40	1		
		24	93891-05045-07	SCREW-WASHER, 5X45	3		
		25	93893-05018-07	SCREW-WASHER, 5X18	1		
		26	94001-05070-0S	NUT, HEX., 5MM	1		
		27	94002-06000-0S	NUT, HEX., 6MM	1		
		28	96000-06025-07	BOLT, FLANGE, 6X25	1		

F 8

F-4

Front brake master cylinder
 Maitre cylindre de frein avant
 Vorderredbremse Hauptzylinder



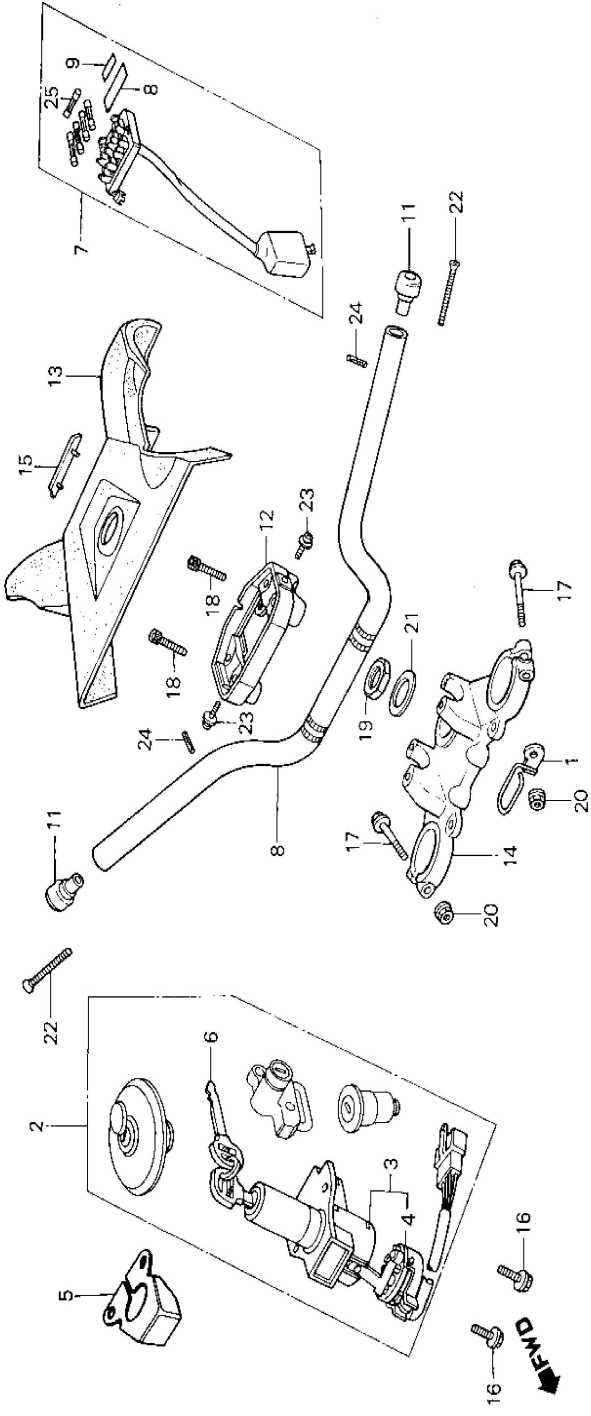
BMC5-6B

Service item	F.R.T.	Ref. No.	Part No.	Description	Recd No. CX650ED	Serial No.	Area code
SWITCH ASSY., FR. STOP	0.1	1	35340-MA5-671	SWITCH ASSY., FR. STOP	1		
DIAPHRAGM		2	45124-MC5-003	HOSE A, R. FR. BRAKE	1		
LEVER COMP., R. HANDLE		3	45125-MC5-003	HOSE A, L. FR. BRAKE	1		
HOSE A, R. FR. BRAKE	0.3	4	45126-MC5-003	HOSE ASSY., FR. BRAKE	1		
(WHEN SERVICING COMP., UNIT, F.R.T. IS 0.4.)		5	45127-MA1-003	JOINT, TWO WAY (NISSHIN)	1		
JOINT, TWO WAY		6	45500-MG0-611	CYLINDER ASSY., FR. MASTER	1		
CYLINDER ASSY., FR. MASTER	0.4	7	45512-MA6-006	PROTECTOR	1		
CYLINDER SET, MASTER		8	45513-MA6-621	CAP	1		
		9	45514-MA6-006	PLATE	1		
		10	45515-MA6-006	GAUGE, OIL LEVEL	1		
		11	45516-MA6-006	O-RING	1		
		12	45517-MA5-671	HOLDER, MASTER CYLINDER	1		
		13	45520-MA5-671	DIAPHRAGM	1		
		14	45522-422-000	BOOT, MASTER CYLINDER	1		
		15	45530-MA5-671	CYLINDER SET, MASTER	1		
		16	53175-MA5-005	LEVER COMP., R. HANDLE	1		
		17	90114-MA5-671	BOLT, R. STEERING HANDLE PIVOT	1		
		18	90145-460-840	BOLT, OIL	4		
		19	90147-460-840	BOLT, OIL	1		
		20	90345-300-000	WASHER, OIL BOLT	11		
		21	93600-04012-1G	SCREW, FLAT, 4X12	2		
		22	93893-04012-18	SCREW-WASHER, 4X12	1		
		23	94050-06000	NUT, FLANGE, 6MM	1		
		24	96000-06025-07	BOLT, FLANGE, 6X25	2		

F 9

F-5

Handle pipe · Top bridge
 Guidon · Haut de fourche
 Lenkrohr · Obere brücke



BMC5-7B

Service item	F.R.T.	Ref. No.	Part No.	Description	Read. No. CX650ED	Serial No.	Area code
KEY SET	0.5	1	22875-MC7-000	CLIP, CLUTCH CABLE	1		AR,B,CM,E,ED,F,IT,SA,SW,U
BRIDGE, FORK TOP		2	35010-MG0-000	KEY SET	1		G1,G2,ND,SD
SWITCH ASSY., COMBINATION & LOCK	0.4	3	35100-MC5-007	SWITCH ASSY., COMBINATION & LOCK	1		AR,B,CM,E,ED,F,IT,SA,SW,U
BASE COMP., CONTACT FUSE & LABEL ASSY.	0.3	4	35100-MC5-610	SWITCH ASSY., COMBINATION & LOCK	1		G1,G2,ND,SD
HOLDER, HANDLE UPPER	0.6	5	35101-MC5-000	BASE COMP., CONTACT	1		AR,B,CM,E,ED,F,IT,SA,SW,U
PIPE, STEERING HANDLE	0.1	6	35101-MC5-610	BASE COMP., CONTACT	1		G1,G2,ND,SD
COVER, HANDLE		7	35106-MAL-610	COVER, COMBINATION SWITCH	1		G1,G2,ND,SD
		8	35121-443-811	KEY, BLANK (NO.1)	(1)		AR,B,CM,E,ED,F,IT,SA,SW,U
		9	35121-443-812	KEY, BLANK (NEUMAN)	(1)		G1,G2,ND,SD
		10	35122-443-811	KEY, BLANK (NO.2)	(1)		AR,B,CM,E,ED,F,IT,SA,SW,U
		11	35122-443-812	KEY NO2, BLANK	(1)		G1,G2,ND,SD
		12	38201-MG0-000	FUSE & LABEL ASSY.	1		AR,B,CM,E,ED,G1,G2,IT,ND,SA,SD,SW
		13	38201-MG0-620	FUSE & LABEL ASSY. (FRENCH)	1		U
		14	38215-MG5-670	LABEL, FUSE	1		F
		15	38215-MG5-720	LABEL, FUSE (FRENCH)	1		AR,B,CM,E,ED,G1,G2,IT,ND,SA,SD,SW
		16	38216-MC5-621	LABEL, FUSE	1		U
		17	53100-MG0-000	PIPE, STEERING HANDLE	1		F
		18	53101-MG0-000	WEIGHT, HANDLE	2		
		19	53131-MC5-000	HOLDER, HANDLE UPPER	1		
		20	53205-MC5-000	COVER, HANDLE	1		
		21	53230-MG0-000	BRIDGE, FORK TOP	1		
		22	53230-MG0-610	BRIDGE, FORK TOP	1		

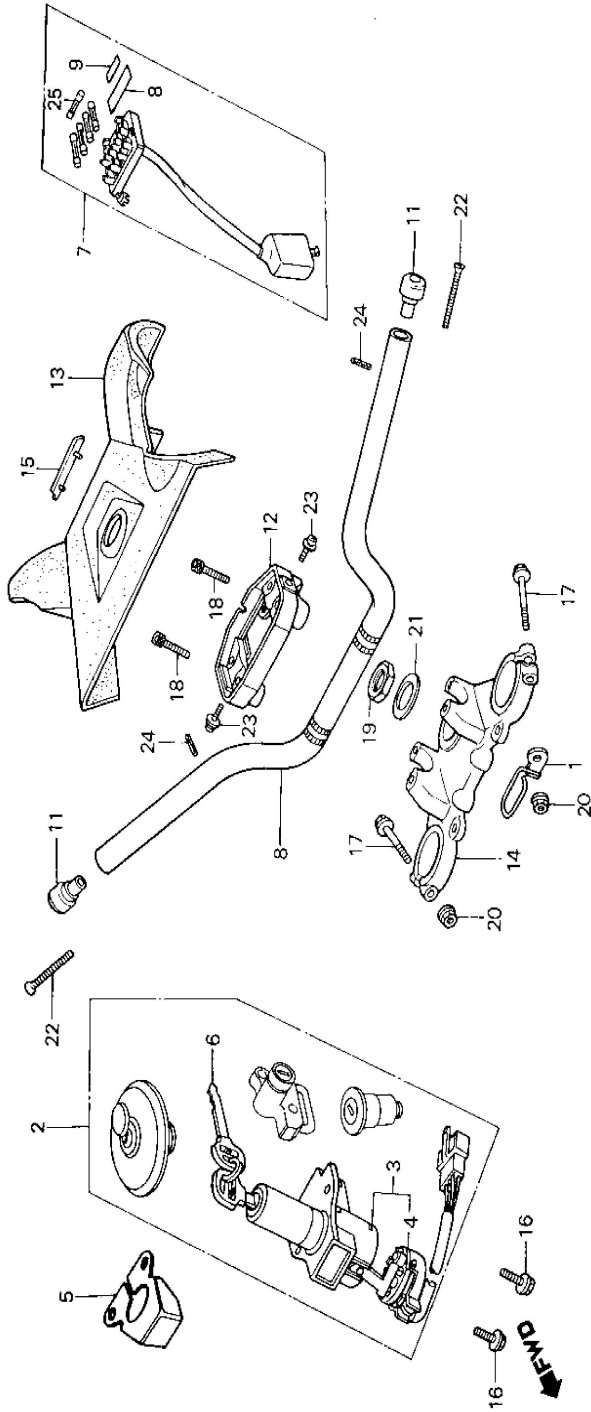
F 10

F-5

Handle pipe · Top bridge

Guidon · Haut de fourche

Lenkrohr · Obere brücke



BMC5-7B

Service item	F.R.T.	Ref. No.	Part No.	Description	Reqd. No. CX650ED	Serial No.	Area code
		15	87106-MC7-300	EMBLEM, HANDLE COVER	1		
		16	90105-KB7-000	BOLT, FLANGE, 8X19	2		AR,B,CM,E,ED,F,IT,SA,SW,U
			90105-MC7-610	BOLT, COMBINATION SWITCH	2		G1,G2,ND,SD
		17	90155-369-000	BOLT, FLANGE, 7X54	2		
		18	90185-371-000	BOLT, HEX, SOCKET, 8X32	4		
		19	90304-KA2-000	NUT, STEERING STEM	1		
		20	90355-369-000	NUT, FLANGE, 7MM	2		
		21	90503-ME1-670	WASHER, STEERING STEM	1		
		22	93700-06050-0G	SCREW, OVAL, 6X50	2		
		23	93891-05012-07	SCREW-WASHER, 5X12	2		
		24	94305-40222	PIN, SPRING, 4X22	2		
		25	98200-21500	FUSE B (15A)	5		

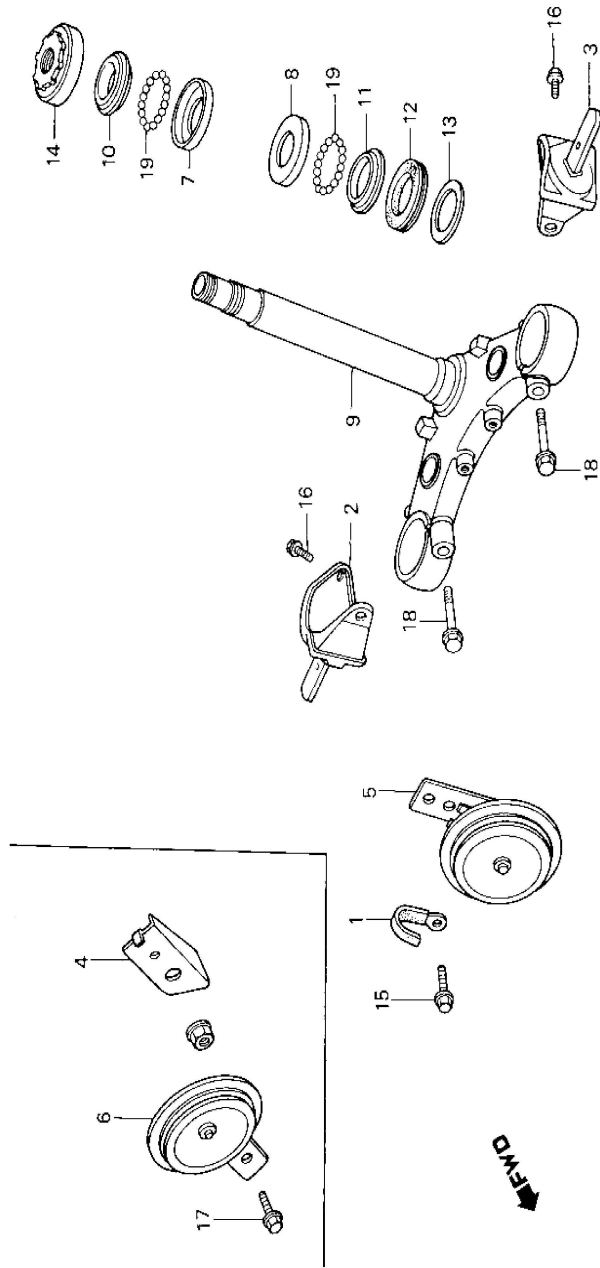
F 11

F-6

Steering stem

Tige de direction

Steuerkopfschaft



BMC5-8

Service item	F.R.T.	Ref. No.	Part No.	Description	Reqd. No. CX850ED	Serial No.	Area code
HORN COMP.	0.1	1	32901-MA1-000	CLIP, SUB CORD	1		AR,B,CM,E,F,G1,G2,IT,SA,SD,SW,U
RACE, STEERING BALL (CONE OR ALL)	1.0	2	33410-MC5-000	STAY, R. WINKER	1		ED,ND
RACE, STEERING BOTTOM CONE		3	33410-MC5-680	STAY, R. WINKER	1		AR,B,CM,E,F,G1,G2,IT,SA,SD,SW,U
STEM COMP., STEERING RACE, STEERING TOP CONE	1.1	4	33610-MC5-000	STAY, L. WINKER	1		ED,ND
STEM COMP., STEERING RACE, STEERING TOP CONE	0.5	4	33610-MC5-680	STAY, L. WINKER	1		IT
THREAD COMP., STEERING HEAD		5	38102-MG0-630	STAY, HORN	1		CM,SA,U
STEERING HEAD TOP		5	38110-438-004	HORN COMP. (HIGH)	1		AR,B,E,ED,F,G1,G2,IT,ND,SD,SW
		5	38110-438-601	HORN COMP. (HIGH)	1		IT
		6	38120-MC5-631	HORN COMP. (LOW)	1		
		7	50301-268-000	RACE, STEERING TOP BALL	1		
		8	50302-268-000	RACE, STEERING BOTTOM BALL	1		
		9	53200-MG0-000ZA	STEM COMP., STEERING	1		
		10	53211-268-000	RACE, STEERING TOP CONE	1		
		11	53212-250-000	RACE, STEERING BOTTOM CONE	1		
		12	53214-250-000	DUST SEAL, STEERING HEAD	1		
		13	53215-250-000	WASHER, STEERING HEAD	1		
		14	53220-ME9-000	THREAD COMP., STEERING HEAD	1		
		15	95700-06010-00	BOLT, FLANGE, 6X10 TOP	1		
		16	95700-06010-07	BOLT, FLANGE, 6X10	2		
		17	95700-06012-07	BOLT, FLANGE, 6X12	1		IT

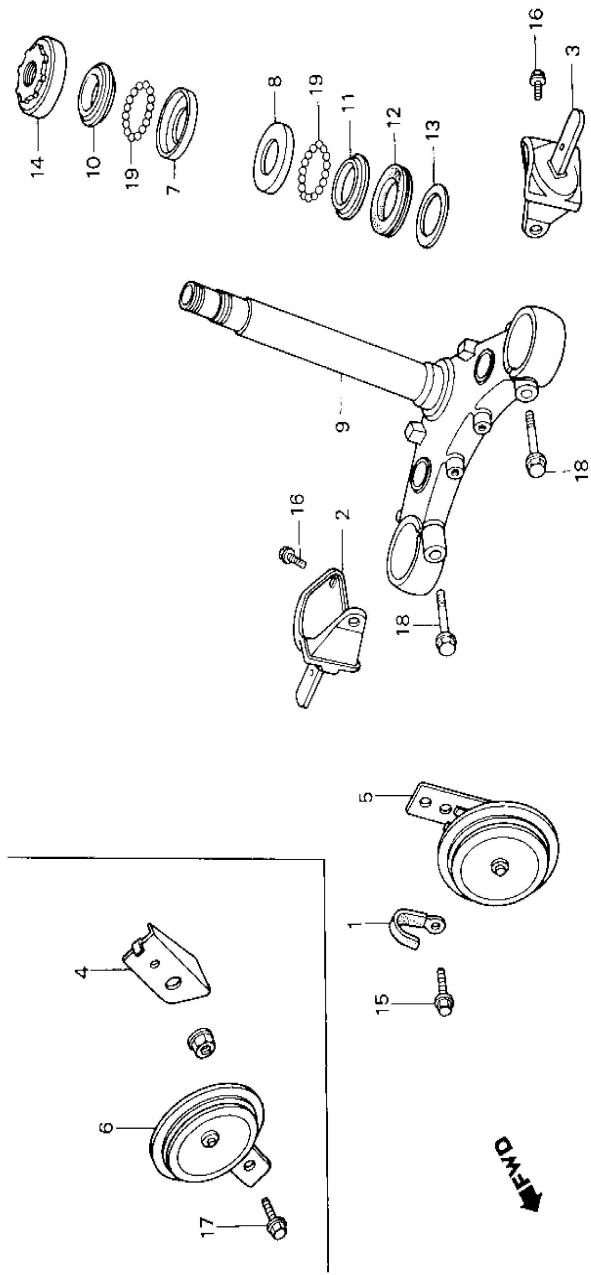
F 12

F-6

Steering stem

Tige de direction

Steuerkopfschaft



BMC5-8

Service item	F.R.T.	Ref. No.	Part No.	Description	Reqd. No.	Serial No.	Area code
		18	95700-10035-07	BOLT, FLANGE, 10X35	2		
		19	96211-08000	BALL, STEEL, #8 (1/4)	37		

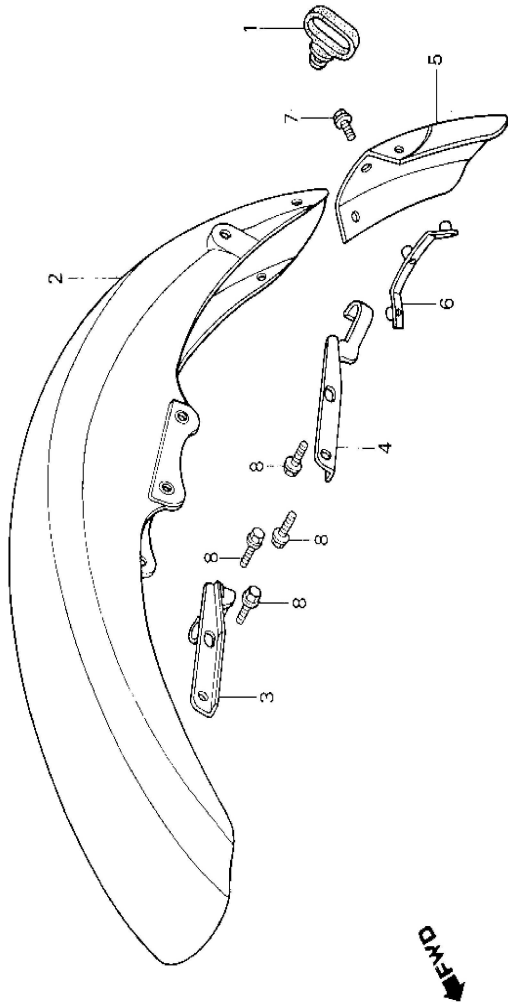
F 13

F-7

Front fender

Garde-boue avant

Vorderer Kotflügel



BMC5-9A

Service item	F.R.T.	Ref. No.	Part No.	Description	Reqd. No. CX850ED	Serial No.	Area code
FENDER COMP., FR.	0,3	1	45451-471-000	GROMMET, WIRE	1		AR,B,CM,E,ED,F,G1,G2,IT,SA,SD,SW
		2	61100-MG0-000ZA	FENDER COMP., FR. #NH-1*	1		U
			61100-MG0-000ZB	FENDER COMP., FR. #NH-121P-A*	1		U
			61100-MG0-000ZC	FENDER COMP., FR. #R-124C-U*	1		U
			61100-MG0-680ZA	FENDER COMP., FR. #NH-1*	1		ND
			61100-MG0-680ZB	FENDER COMP., FR. #NH-121P-A*	1		ND
			61100-MG0-680ZC	FENDER COMP., FR. #R-124C-U*	1		ND
		3	61101-MC5-000	GUIDE, R. FR. FENDER	1		
		4	61102-MC5-000	GUIDE, L. FR. FENDER	1		
		5	61105-MC5-680	MUDGUARD, FR. FENDER	1		ND
		6	61106-MC5-680	STAY, FR. MUDGUARD	1		ND
		7	93891-05010-00	SCREW-WASHER, 5X10	3		ND
		8	95700-06016-08	BOLT, FLANGE, 6X16	4		ND

F 14

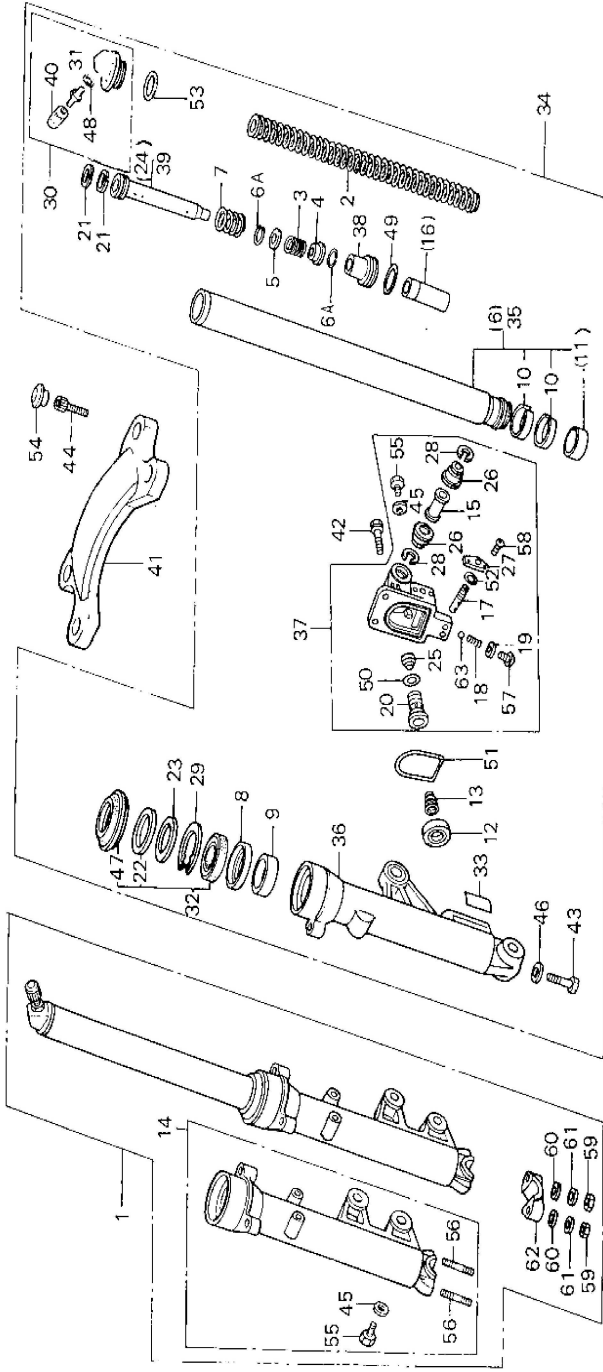
F-8

Front fork

Fourche avant

Vordergabel

BMC5-10B



Service item	F.R.T.	Ref. No.	Part No.	Description	Read No. CX650EB	Serial No.	Area code
FORK ASSY., FR. (ADD 0.2 FOR EACH.)	0.5	1	51400-MG0-003	FORK ASSY., R. FR.	1		
CASE COMP., PISTON		2	51401-MG0-003	SPRING, FR. CUSHION	2		
SPRING, FR. CUSHION	0.3	3	51402-MA6-003	SPRING B, FR. CUSHION	1		
PIPE COMP., FORK (ADD 0.5 FOR EACH.)	0.8	4	51403-MA6-003	VALVE, OIL LOCK	1		
CASE COMP., R. BOTTOM (L. SIDE 0.9)		5	51405-MA6-003	SEAT, SPRING	1		
CASE COMP., R. BOTTOM (ADD 0.5 FOR EACH.)		6A	51405-MCT-003	RING, STOPPER	2		
SEAL SET, FR. FORK (ADD 0.5 FOR EACH.)	0.4	6	51410-MG0-003	PIPE COMP., R. FORK	1		
PACKING, PISTON CASE		7	51412-ME1-671	SPRING, FR. FORK REBOUND	2		
VALVE COMP., AIR		8	51412-461-003	RING, BACK UP	2		
STABILIZER, FR	0.1	9	51414-461-003	BUSH, GUIDE	2		
		10	51415-MC5-003	BUSH, SLIDER	2		
		11	51415-461-003	BUSH, SLIDER	1		
		12	51417-ME1-671	PACKING, PISTON CASE	1		
		13	51418-ME1-671	SPRING, PISTON	1		
		14	51421-MG0-003	CASE COMP., R. BOTTOM	1		
		15	51423-MC7-003	COLLAR, PISTON	1		
		16	51432-371-003	PIECE, OIL LOCK	1		
		17	51433-MC7-003	ROD, ADJUSTER	1		
		18	51434-MC7-003	SPRING, CLICK	1		
		19	51435-MC7-003	WASHER, SPECIAL, 5MM	1		
		20	51436-ME1-671	PISTON	1		
		21	51437-MA0-771	RING, PISTON	3		
		22	51438-MC5-003	HOLDER, GREASE	2		
		23	51439-MC5-003	WASHER	2		
		24	51440-MG0-003	PIPE, R. SEAT	1		

