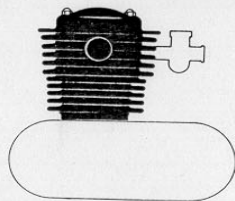
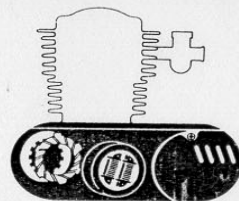


INDEX**INDEX****INDEX**

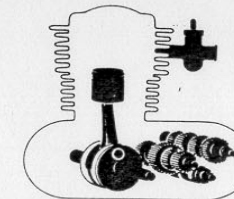
BLOCKINDEX	INDEX DES BLOCS	BLOCK INDEX	1
EINFÜHRUNG (Verwendung dem Teile-Katalog)	INSTRUCTIONS (Mode d'emploi du catalogue de pièces)	INSTRUCTIONS (Use of parts catalogue)	2
MOTORGRUPPE	GROUPE MOTEUR	ENGINE GROUP	3
RAHMENGRUPPE	GROUPE CADRE	FRAME GROUP	4
TEILE-Nr. INDEX	INDEX DE N° DE PIECE	PART No. INDEX	5



E-1	Radiator · Cooling fan	C 2
E-2	Thermostat · Water pipe	C 4
E-3	Cylinder head cover	C 5
E-4	Right cylinder head	C 6
E-5	Left cylinder head	C 7
E-6	Valve · Upper rocker arm	C 8
E-7	Camshaft · Lower rocker arm	C 9



E-8	Clutch cover · Oil filter	C 10
E-9	Transmission cover	C 11
E-10	Clutch	C 12
E-11	Oil pump · Primary drive gear	C 13
E-12	Water pump	C 14
E-13	Starting motor	C 15
E-14	Rear cover	C 16
E-15	Generator	D 1
E-16	Cam chain · Tensioner	D 2
E-17	Final shaft	D 3
E-18	Cylinder block	D 4



E-19	Oil pan	D 6
E-20	Crankshaft · Piston	D 7
E-21	Transmission	D 9
E-22	Shift drum · Shift fork	D 11
E-23	Carburetor	D 13
EOP-1	Gasket Ket A	D 16
EOP-2	Gasket Ket B	E 1

E-1	Radiateur · Ventilateur	C 2
E-2	Thermostat · Tuyau d'ear	C 4
E-3	Couvercle de culasse	C 5
E-4	Culasse droitl	C 6
E-5	Culasse gauche	C 7
E-6	Soupape · Culbuteur supérieur	C 8
E-7	Arbre à cames · Culbuteur inférieur	C 9

E-8	Couvercle d'embrayage · Filtre à huile	C 10
E-9	Couvercle de transmission	C 11
E-10	Embrayage	C 12
E-11	Pompe à huile · Pignon commande primaire	C 13
E-12	Pompe à eau	C 14
E-13	Moteur démarrage	C 15
E-14	Couvercle arrière	C 16
E-15	Générateur	D 1
E-16	Chaîne de cames · Tendeur	D 2
E-17	Arbre final	D 3
E-18	Bloc moteur	D 4

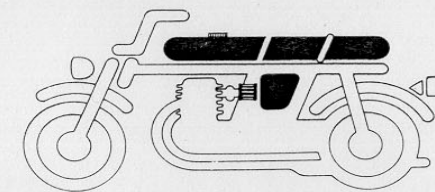
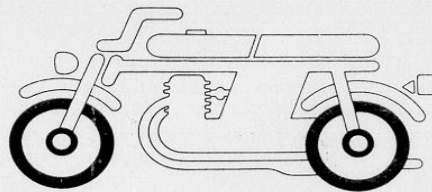
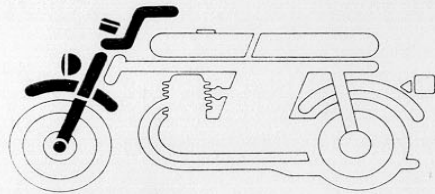
E-19	Cartier	D 6
E-20	Vilebrequin · Piston	D 7
E-21	Transmission	D 9
E-22	Tambour de changement de vitesse · Fourchette de changement	D 11
E-23	Carburateur	D 13
EOP-1	Trousse de joint A	D 16
EOP-2	Trousse de joint B	E 1

E-1	Kühler · Kühlgebläse	C 2
E-2	Thermostat · Wasserrohr	C 4
E-3	Zylinderkopfdeckel	C 5
E-4	Rechter Zylinderkopf	C 6
E-5	Linker Zylinderkopf	C 7
E-6	Ventil · Oberer Kipphebel	C 8
E-7	Nockenwelle · Unterer Kipphebel	C 9

E-8	Kupplungsdeckel · Ölfilter	C 10
E-9	Getriebedeckel	C 11
E-10	Kupplung	C 12
E-11	Ölpumpe · Primäres Antriebszahnrad	C 13
E-12	Wasserpumpe	C 14
E-13	Anlassermotor	C 15
E-14	Hinterdeckel	C 16
E-15	Lichtmaschine	D 1
E-16	Steuerkette · Spanner	D 2
E-17	Endwelle	D 3
E-18	Zylinderblock	D 4

E-19	Ölwanne	D 6
E-20	Kurbelwelle · Kolben	D 7
E-21	Getriebe	D 9
E-22	Schaltwalze · Schaltgabel	D 11
E-23	Vergaser	D 13
EOP-1	Dichtung Satz A	D 16
EOP-2	Dichtung Satz B	E 1





F-1	Headlight	F 2
F-2	Meter	F 4
F-3	Handle lever · Switch · Cable	F 6
F-4	Front brake master cylinder	F 8
F-5	Handle pipe · Top bridge	F 9
F-6	Steering stem	F11
F-7	Front fender	F13
F-8	Front fork	F14

F-9	Front brake caliper	G 1
F-10	Front wheel · Disk	G 3
F-11	Rear brake caliper	G 5
F-12	Rear brake master cylinder	G 6
F-13	Rear wheel	G 7
F-14	Final driven gear	G 9

F-15	Fuel tank	G13
F-16	Seat	G15
F-17	Side cover · Battery	H 1
F-18	Electric plate	H 3
F-19	Air cleaner	H 5

F-1	Phare	F 2
F-2	Cornpteurs	F 4
F-3	Levier de poignée · Interrupteur · Câble	F 6
F-4	Maitre cylinder de frein avant	F 8
F-5	Guidon · Haut de fourche	F 9
F-6	Tige de direction	F11
F-7	Garde-boue avant	F13
F-8	Fourche avant	F14

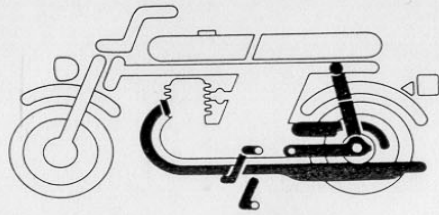
F-9	Etrier de frein avant	G 1
F-10	Roue avant · Disque	G 3
F-11	Etrier de frein arriere	G 5
F-12	Maiter cylinder de frein arrière	G 6
F-13	Roue arrière	G 7
F-14	Engrenages de réduction finale	G 9

F-15	Réservoir d'essence	G13
F-16	Siege	G15
F-17	Couvercle latéral · Batterie	H 1
F-18	Plaque électrique	H 3
F-19	Filtre à air	H 5

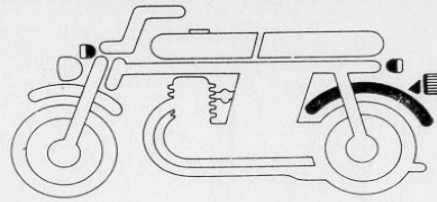
F-1	Scheinwerfer	F 2
F-2	Messer	F 4
F-3	Lenkstangenhabel · Schalter · Kabel	F 6
F-4	Vorderredbremse Hauptzylinder	F 8
F-5	Lenkrohr · Obere Brücke	F 9
F-6	Steuerkopfschaft	F11
F-7	Vorderer Kotflügel	F13
F-8	Vordergabel	F14

F-9	Vorderradbremssattel	G 1
F-10	Vorderrad · Bremsscheibe	G 3
F-11	Hinterradbremssattel	G 5
F-12	Hinterradbremse-Hauptzylinder	G 6
F-13	Hinterrad	G 7
F-14	Endabtriebsgetriebe	G 9

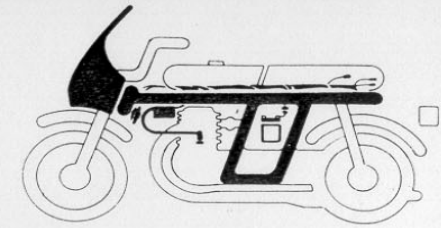
F-15	Benzintank	G13
F-16	Sitz	G15
F-17	Seitendeckel · Batterir	H 1
F-18	Elektrische platte	H 3
F-19	Luftfilter	H 5



F-20	Exhaust muffer	H 7
F-21	Brake pedal · Change pedal	H 9
F-22	Step	H10
F-23	Stand	H12
F-24	Rear fork	H13
F-25	Rera cushion	H15



F-26	Rear fender	I 1
F-27	Winker	I 3
F-28	Taillight	I 6



F-29	Wire harness · Ignition coil	I 7
F-30	Radiator shroud · Reserre tank	I 8
F-31	Frame body	I 10
F-32	Tool	I 11
F-33	Headlight cover	I 12
F-34	Color chart	I 13

F-20	Pot d'échappement	H 7
F-21	Pédale de frein · Pédale de changement	H 9
F-22	Repose pieds	H10
F-23	Bequille	H12
F-24	Fourche arrière	H13
F-25	Amortisseur arrière	H15

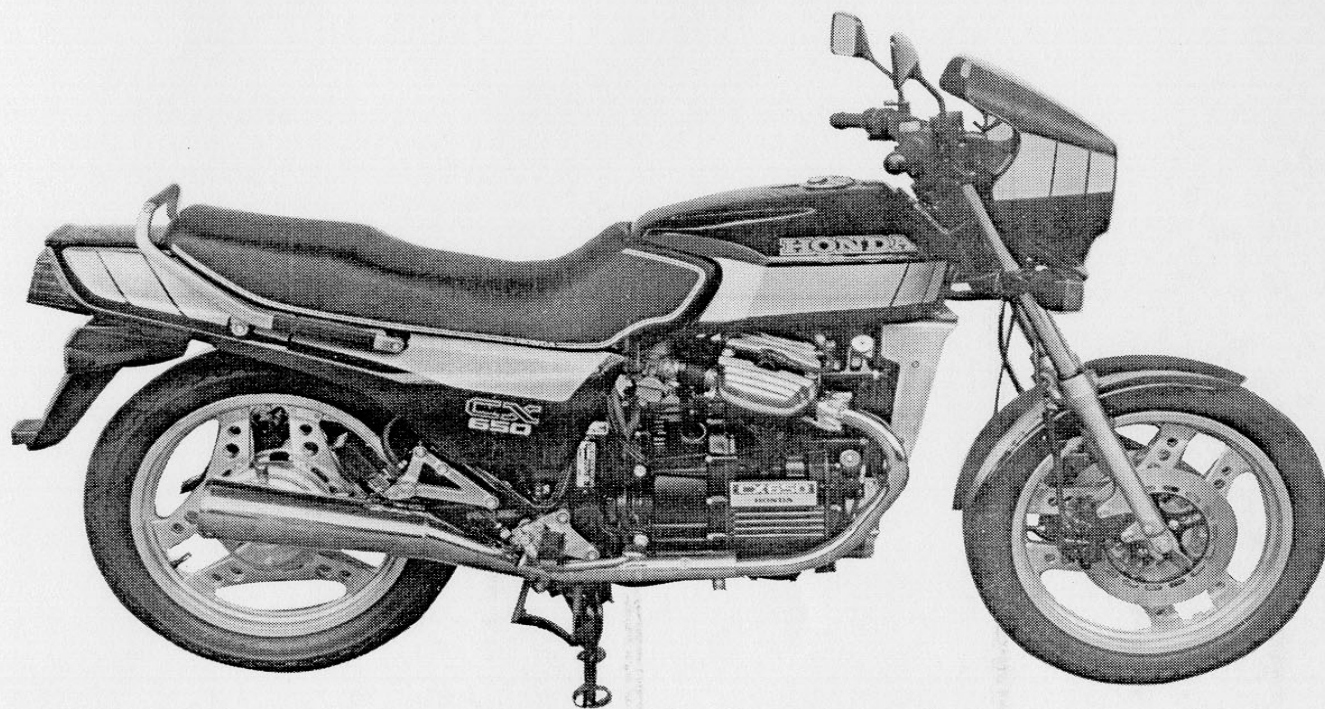
F-26	Garde-boue arrière	I 1
F-27	Clignotant	I 3
F-28	Feu arrière	I 6

F-29	Faisceau électrique · Bobine d'allumage	I 7
F-30	Buse de radiateur · Réservoir	I 8
F-31	Cadre	I 10
F-32	Outils	I 11
F-33	Phare supérieur	I 12
F-34	Table de couleur	I 13

F-20	Auspufftopf	H 7
F-21	Bremspedal · Schaltpedal	H 9
F-22	Tritt	H10
F-23	Ständer	H12
F-24	Hintere Schwinge	H13
F-25	Hintere Stoßdämpfer	H15

F-26	Hinterer Kotflügel	I 1
F-27	Rlinker	I 3
F-28	Rücklicht	I 6

F-29	Kabellbaum · Zuundspule	I 7
F-30	Kühlerhaube · Reservetank	I 8
F-31	Rahmen	I 10
F-32	Werkzeug	I 11
F-33	Scheinwerferdeckel	I 12
F-34	Farbentabelle	I 13



CX650E_D-ED

INSTRUCTION FOR USE OF PARTS CATALOGUE

This parts catalogue is compiled all service parts and flat rate time (F.R.T.) for model CX650Ed.

The languages used in this parts catalogue are arranged in alphabetical order in English. (English-French-German)

I. How to order parts

1. Information required

Replacement parts orders must contain both the **part number** and the **stamped number(s)** as described below. This is because any changes and modifications of parts are registered at HONDA with the pertinent parts and stamped numbers.

Numbers needed :

- (a) Carburetor parts : Part number and Stamped carburetor identification number
- (b) Engine parts : Part number and Stamped engine number
- (c) Frame parts : Part number and Stamped frame number
- (d) Final driven gear parts : Part number and Stamped final driven gear number

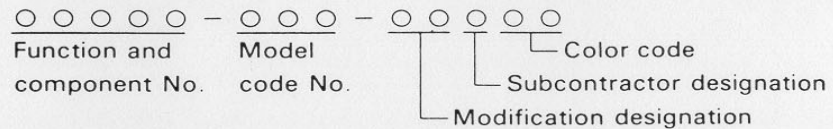
2. Revisions

When modifications or additions to this parts catalogue are made, a revised edition will be issued at an appropriate time, with successively progressing revision numbers on the cover. We recommend obtaining such revisions in order to keep your parts catalogue up-to-date at all times. To check whether a parts catalogue revision has been issued, please contact your HONDA distributor.

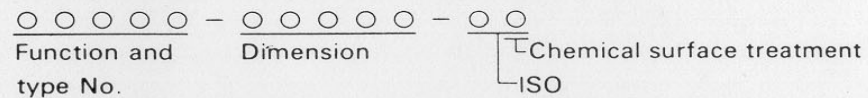
II. How to read this parts catalogue

1. Make-up of the part number

(Example) General parts



(Example) Bolts, nuts and other standard parts



2. Color code

The color code at the end of the part number indicates the color. Codes below ZA in alphabetical order (such as ZA, ZB, ZC, etc.) do not indicate the color directly, but reference must be made to the HONDA code given in the "Description" column of this parts catalogue.

Color code	Color description
HONDA code	
A-03	Silver
NH-1	Black
NH105	Mat black
NH-121P-A	Peal shell white
R-124C-U	Candy alamoana red-U



3. Abbreviations

The following abbreviations are used in this parts catalogue.

ASSY. Assembly	KPH Kilometers per hour
COMP. Complete	MPH Miles per hour
R. Right	L (100L) Link (100Links)
L. Left	A.C. Alternating current
STD. Standard	D.C. Direct current
MM Millimeter	IN. Inlet
G Gram	EX. Exhaust
T (22T) Tooth (22Teeth)	FR. Front
A Ampere	RR. Rear
V Volt	HEX. Hexagonal
W Watt	A.M. Attaching mark
	T.M. Transcript mark

4. Dimensions

All dimensions are given in millimeters (mm) except in the case of steel balls, tires and tire tubes.

Parts	Example	Interpretation
Bolt (Screw)	6×12	6mm diameter, 12mm length
Pin	8×14	8mm diameter, 14mm length
O-Ring	9.5×1.6	9.5mm diameter, 1.6mm thickness
Oil seal	14×24×5	14mm inside diameter, 24mm outside diameter, 5mm thickness
Tube	5×130	5mm inside diameter, 130mm length

5. Supersedence of parts

Part numbers given under the part name in the "Description" column indicate that the part number has been superseded by that part number. HONDA may make such supersedence without notice.

6. Assemblies

Sections framed with broken lines in the exploded view drawings are available as complete assemblies. (Their individual parts can also be obtained.)

7. Required quantity

The number given in the "Reqd. No." column indicates the quantity of parts used in the section described in that block.

Parts with quantities in () represent optional parts.

"N" means order as needed.

8. Part modifications and applicable serial numbers

In cases where a part has been modified, the serial number of the first vehicle (or frame, engine, carburetor, final driven gear) bearing the modification is listed in the "Serial No." column.

9. Color label

When you place an order of colored parts, please specify the part number from the list below.

The parts marked with/are given fixed part number.

Model	CX650Ed					
Color (Main color)	NH-1		NH-121P-A		R-124C-U	
Name of colored parts	NH-1		NH-121P-A		R-124C-U	
Tank set, Fuel	NH-1		NH-121P-A		R-124C-U	
Fender COMP., FR.	NH-1		NH-121P-A		R-124C-U	
Cover COMP., Headlight	NH-1		NH-121P-A		R-124C-U	
Cover ASSY., R/L. side	NH-1		NH-121P-A		R-124C-U	
Cover, seat cowl	NH-1		NH-121P-A		R-124C-U	
Cowl ASSY., RR.	NH-1		NH-121P-A		R-124C-U	
Body COMP., Frame	NH-1					
Stam COMP., Steering	NH-105					
Stripe, R/L. Fuel tank	Type 2		Type 1		Type 3	
Stripe, R/L. Side cover	Type 2		Type 1		Type 3	
Stripe, R/L. RR. cowl	Type 2	Type 4	Type 1	Type 5	Type 3	Type 6
Stripe, R/L. Headlight cover	Type 2	Type 4	Type 1	Type 5	Type 3	Type 6
Mark, side cover	Type 2		Type 1		Type 3	
Mark, headlight cover	Type 2		Type 1		Type 3	
Mark, R/L. Fuel tank	Type 2		Type 1		Type 3	
Mark, Drive caution	Type 2		Type 1		Type 3	
Label, FR. Fork caution	Silver		Silver		Silver	
Fork ASSY., RR.	Silver		Silver		Silver	

10. Models, area codes and applicable serial numbers

Models, area codes and applicable serial Nos. given in this parts catalogue can be identified as follows.

Parts with area codes are exclusive for models destined for countries designated.

If no area codes are listed, parts are for common use.

Model	Area code	Type	Applicable engine serial No.	Applicable frame serial No.	Applicable carburetor identification No.	
CX650Ed	CM	Canada	RC12E-2000014~	RC120*DM000013~	VB2AD <u>A</u> ~	
	G2	Germany (*2)	RC10E-3000004~	RC12-3000002~	VB2BC <u>A</u> ~	
	ED	European direct sales	RC10E-2002024~	RC12-2000009~	VB2BA <u>A</u> ~	
	E	England	These types are not yet produced.			
	G1	Germany				
	F	France				
	U	Australia				
	IT	Italy				
	SA	South africa				
	SW	Switzerland				
	ND	North europe				
	B	Belgium				
	AR	Austria				
SD	Sweden					

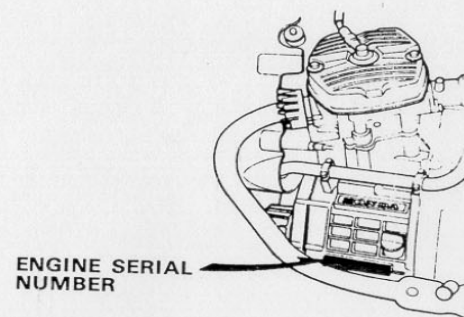
*1: Full power type

*2: 27PS type

* Of carburetor identification numbers, only the portions underlined in the example below are used for registration.

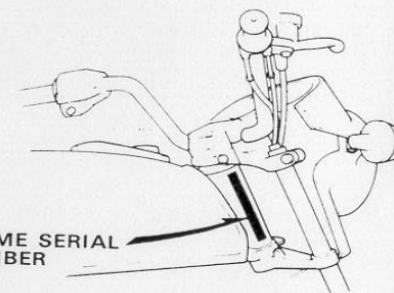
VB2AD A KC ア

11. Location of stamped serial number



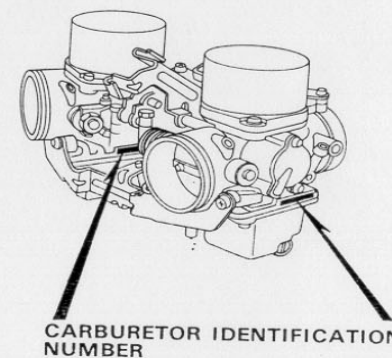
ENGINE SERIAL NUMBER

B415-0A



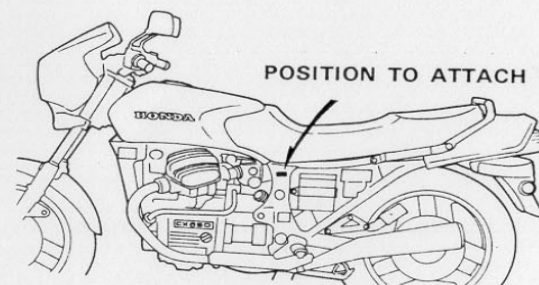
FRAME SERIAL NUMBER

B415-0B



CARBURETOR IDENTIFICATION NUMBER

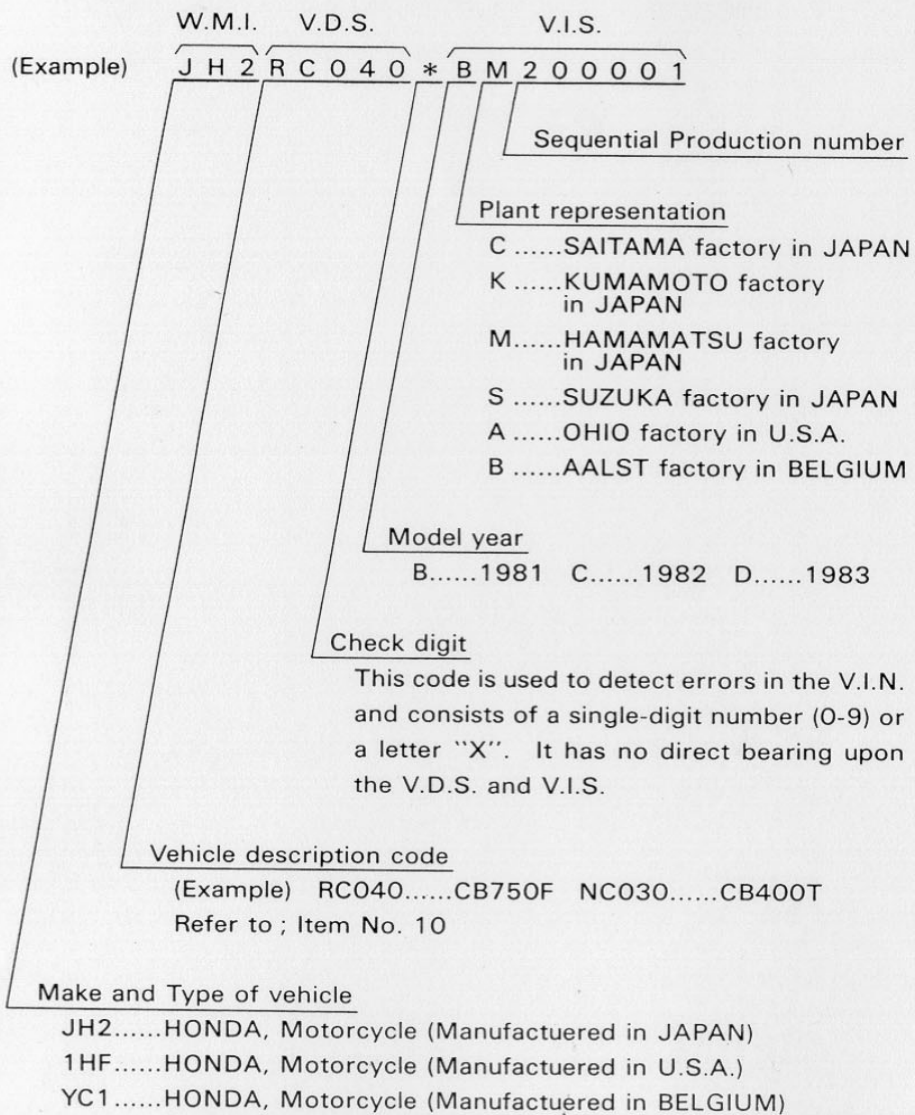
BME2-0A



POSITION TO ATTACH COLOR LABEL

BMC5-0A

12. Construction of vehicle identification number (V.I.N.)



W.M.I.World manufacturer identifier

V.D.S.Vehicle descriptor section

V.I.S.Vehicle indicator section

Any change or modification of parts is directly related to the V.D.S. and V.I.S. A V.I.S. number will appear in the "Serial No." column of the Parts Catalog if a part is changed or modified.

III. How to use the flat rate time (F.R.T.)

This F.R.T. (Flat Rate Time) is used to determine the standard labor time allowed for replacement of parts covered by the warranty during the period the warranty is in effect. The F.R.T. for those parts which are not listed herein should be determined from the operation closely related to the replacement of that part.

1. The F.R.T. is based on the following servicing conditions

- A liberal allowance is added to the net servicing time.
- Standard times specified are based on the condition that the necessary servicing tools listed in the service manual (motorcycle) which describes the HONDA service policy are available close at hand and the work performed by a mechanic with normal skill.
- Time required for inspection and operational test following the servicing is included in the F.R.T.

2. Method of computing

The job times are listed in tenth of an hour to simplify computation.

- (Example) 0.3 = 18 minutes
5.6 = 5 hours and 36 minutes

CONVERSION CHART			
Hours	Minutes	Hours	Minutes
0.1	6	0.6	36
0.2	12	0.7	42
0.3	18	0.8	48
0.4	24	0.9	54
0.5	30	1.0	60

3. Computing the F.R.T.

When several jobs are performed at the same time, make the calculation in the following manner.

a. Jobs of non duplicated nature

The F.R.T. for the job is obtained by totalling the F.R.T. for each part replaced.

(Example) Replacement of cylinder head and clutch spring.

Service item	F.R.T.
Cylinder head	2.3
Clutch spring	0.4

The F.R.T. for the job is: $2.3 + 0.4 = 2.7$

b. Jobs of duplicated nature

Take the F.R.T. for the last part to be replaced.

(Example) Replacement of piston and cylinder head gasket.

Service item	F.R.T.
Cylinder head gasket	1.4
Piston	2.9

The F.R.T. for the job is: 2.9

c. Jobs of partially related nature

Total up the F.R.T. for all of the parts replaced and then subtract the F.R.T. for the duplicated operation.

(Example) Replacement of gearshift drum and cam chain.

Service item	F.R.T.
Gearshift drum	*3.7
Cam chain	*3.6
Cover RR. Separation	*3.1

The F.R.T. for the job is: $(3.7 + 3.6) - 3.1 = 4.2$

Cover RR. Separation is the duplicated operations.

- The F.R.T. shown with (*) includes engine removal and installation.

4. Operations other than replacing parts

a. Removal and installation

No.	Service item	F.R.T.
1	Engine	2.7
2	Cylinder head	1.4
3	Carburetor	0.6
4	Radiator	0.6
5	Final driven gear	0.5

b. Adjustment, measurement and cleaning

Engine

No.	Service item	F.R.T.
1	Spark plug-adjustment and cleaning	0.2
2	Tappet adjustment	0.7
3	Carburetor idle-adjustment	0.1
4	Engine oil-inspection (excluding oil change)	0.1
5	Clutch-adjustment	0.1
6	Cleaner element-cleaning	0.1
7	Compression-pressure measurement	0.2
8	Battery-checking of electrolyte level and gravity	0.2
9	Carburetor-float level measurement	0.7
10	Oil filter cleaning	0.2
11	Throttle operation-adjustment	0.1
12	Carburetor synchronization-adjustment	0.3
13	Exterior of radiator corecleaning	0.3

Frame

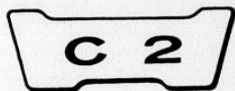
No.	Service item	F.R.T.
1	Front brake-air bleeding	0.2
2	Rear brake-air bleeding	0.2
3	Brake-operation test	0.1
4	Headlight-aimings	0.2
5	Front wheel balance	0.8
6	Rear wheel balance	0.9

c. Overhaul

No.	Service item	F.R.T.
1	Carburetor	1.6
2	Final driven gear	2.2

October 1, 1982

HONDA MOTOR CO., LTD.

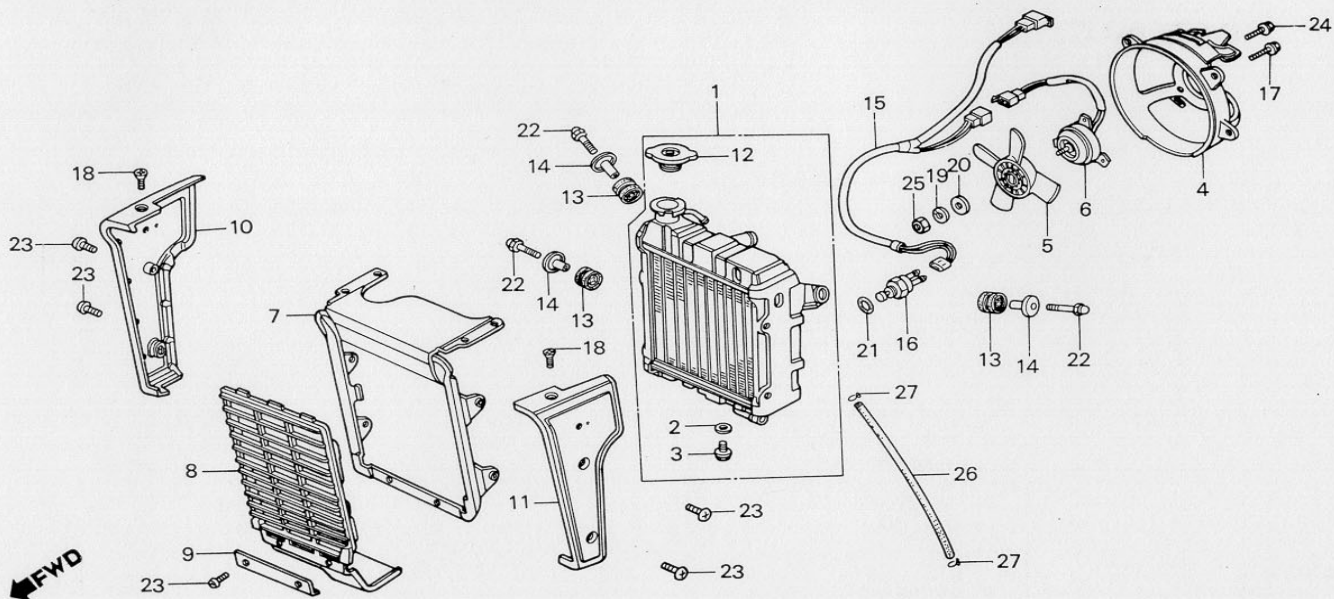


E-1

Radiator · Cooling fan

Radiateur · Ventilateur

Kühler · Kühlgebläse



BME2-1B

Service item	F.R.T.	Ref. No.	Part No.	Description	Reqd. No. CX650Ed	Serial No.	Area code
RADIATOR COMP.	0.6	1	19010-ME2-003	RADIATOR COMP.	1		
·MOTOR, FAN		2	19012-611-003	GASKET, DRAIN COCK	1		
·SHROUD COMP.	0.5	3	19013-415-004	COCK, DRAIN	1		
·FAN, COOLING		4	19015-ME2-003	SHROUD COMP.	1		
·HARNESS A, SUB WIRE		5	19020-ME2-003	FAN, COOLING	1		
·THERMOSWITCH ASSY.							
·COVER COMP., RADIATOR	0.2	6	19030-ME2-003	MOTOR, FAN	1		
·CAP COMP., RADIATOR		7	19031-MG0-000	COVER COMP., RADIATOR	1		
·GRILLE, RADIATOR	0.1	8	19032-ME2-000	GRILLE, RADIATOR	1		
·PLATE, R. SIDE RADIATOR		9	19033-470-670	COVER, RADIATOR LOWER	1		
·PLATE, L. SIDE RADIATOR		10	19035-MG0-720	PLATE, R. SIDE RADIATOR	1		CM
			19035-MG0-000	PLATE, R. SIDE RADIATOR	1		AR,B,E,ED,F,G1,G2,IT,ND,SA,SD,SW U
		11	19036-MG0-720	PLATE, L. SIDE RADIATOR	1		CM
			19036-MG0-000	PLATE, L. SIDE RADIATOR	1		AR,B,E,ED,F,G1,G2,IT,ND,SA,SD,SW U
		12	19045-449-770	CAP COMP., RADIATOR	1		
		13	19115-415-000	RUBBER, RADIATOR MOUNTING	3		
		14	19119-449-000	COLLAR, RADIATOR MOUNTING	3		
		15	32102-ME8-000	HARNESS A, SUB WIRE	1		
		16	37760-MC7-003	THERMOSWITCH ASSY.	1		
		17	90042-679-003	BOLT-WASHER, 6X10 (ND)	4		
		18	90138-415-840	SCREW, FLAT, 6X12	4		
		19	90401-679-003	WASHER, SPRING, 5MM (ND)	1		

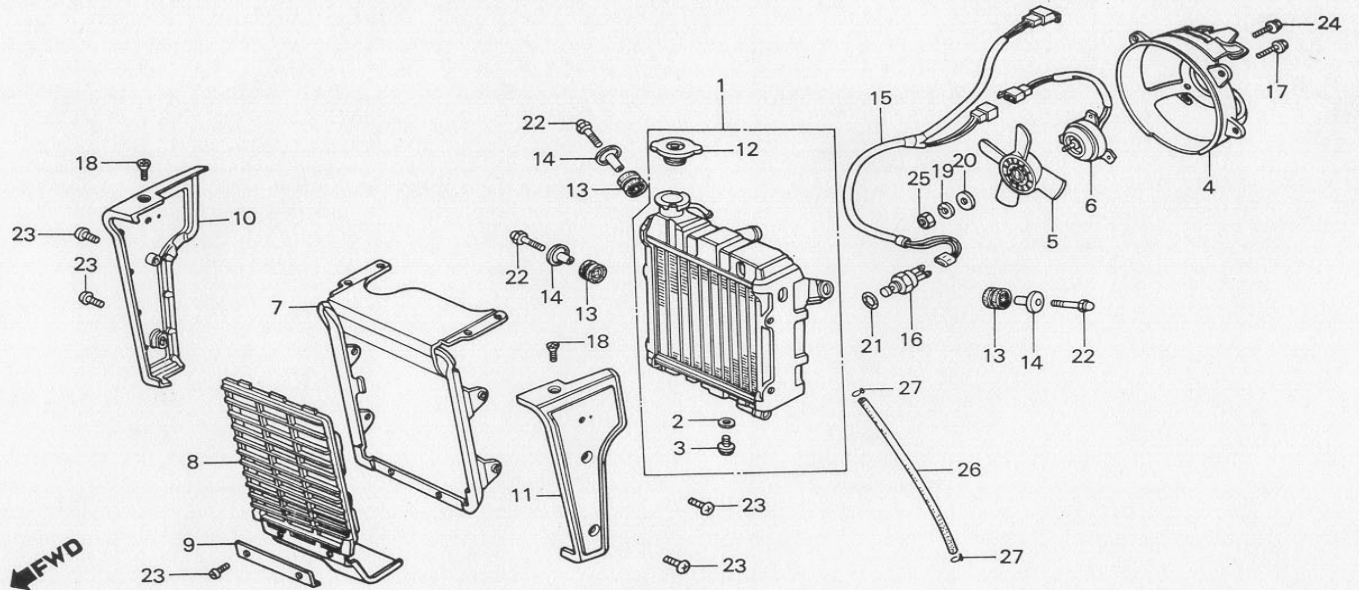


E-1

Radiator · Cooling fan

Radiateur · Ventilateur

Kühler · Kühlgebläse



BME2-1B

Service item	F.R.T.	Ref. No.	Part No.	Description	Reqd. No. CX650Ed	Serial No.	Area code
		20	90402-679-003	WASHER, PLAIN, 5MM (ND)	1		
		21	91307-611-000	O-RING, 13.5X1.4	1		
		22	92600-06032-0B	BOLT, CAP, 6X32	3		
		23	93500-06012-4J	SCREW, PAN, 6X12	6		
		24	93893-05010-08	SCREW-WASHER, 5X10	3		
		25	94001-05080-0S	NUT, HEX., 5MM	1		
		26	95001-75350-40	TUBE, FUEL, 7.3X350	1		
		27	95002-02120	CLIP B12, TUBE	2		

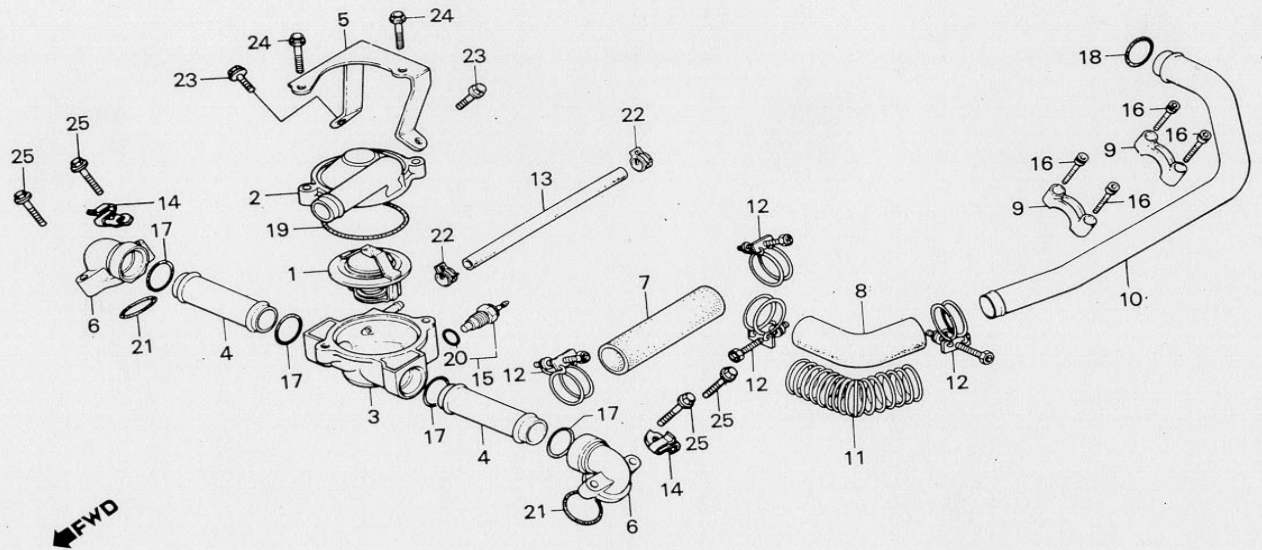
C 4

E-2

Thermostat · Water pipe

Thermostat · Tuyau d'eau

Thermostat · Wasserrohr



BME2-2

Service item	F.R.T.	Ref. No.	Part No.	Description	Reqd. No. CX650Ed	Serial No.	Area code
THERMOSTAT UNIT	0.3	1	19300-611-005	THERMOSTAT UNIT	1		
COVER, THERMOSTAT		2	19315-MA1-000	COVER, THERMOSTAT	1		
SENDING UNIT, WATER TEMPERATURE		3	19411-415-000	CASE, THERMOSTAT	1		
		4	19414-ME2-000	PIPE, UPPER WATER	2		
		5	19418-ME2-000	STAY, THERMOSTAT	1		
CASE, THERMOSTAT	0.4						
HOSE, LOWER WATER		6	19421-415-000	JOINT A, WATER PIPE	2		
PIPE, RR. WATER		7	19501-ME2-000	HOSE, UPPER WATER	1		
PIPE, UPPER WATER	0.2						
JOINT A, WATER PIPE		8	19502-ME2-000	HOSE, LOWER WATER	1		
TUBE, 5X225		9	19503-ME2-000	CLAMP, WATER PIPE	2		
HOSE, UPPER WATER	0.5						
		10	19504-ME2-000	PIPE, RR. WATER	1		
		11	19512-449-000	WIRE B, GUARD	1		
		12	19515-449-000	BAND, HOSE	4		
		13	19521-ME2-000	TUBE, 5X225	1		
		14	30753-ME2-000	CLIP, HIGH TENSION CORD	2		
		15	37750-611-154	SENDING UNIT, WATER TEMPERATURE	1		
		16	90089-415-000	BOLT, SPECIAL, 5X22	4		
		17	91302-371-003	O-RING, 21.9X2.3	4		
		18	91302-415-003	SEAL, WATER PIPE	1		
		19	91302-657-000	O-RING, 53.8X3.1	1		
		20	91307-611-000	O-RING, 13.5X1.4	1		
		21	94608-50000	O-RING, 23X2.8	2		
		22	95002-41050-08	CLIP D10.5, TUBE	2		
		23	95700-06012-00	BOLT, FLANGE, 6X12	2		
		24	95700-06025-00	BOLT, FLANGE, 6X25	2		
		25	96000-06025-00	BOLT, FLANGE, 6X25	4		

1982.10.01

E

C4

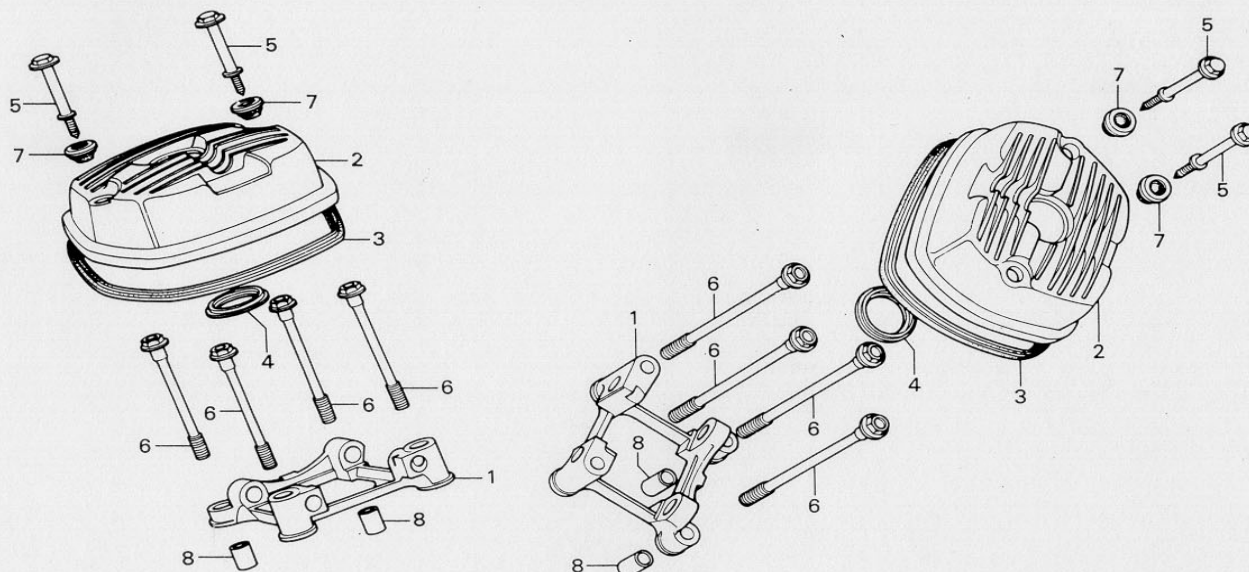
C 5

E-3

Cylinder head cover

Couvercle de culasse

Zylinderkopfdeckel



B415-3

Service item	F.R.T.	Ref. No.	Part No.	Description	Reqd. No. CX650ED	Serial No.	Area code
HOLDER, VALVE ROCKER ARM	0.8	1	12215-415-000	HOLDER, VALVE ROCKER ARM	2		
COVER, CYLINDER HEAD	0.2	2	12311-ME2-000	COVER, CYLINDER HEAD	2		
GASKET, HEAD COVER	0.1	3	12328-415-000	GASKET, HEAD COVER	2		
		4	12329-415-000	GASKET, PLUG HOLE	2		
		5	90016-MC7-000	BOLT, SPECIAL, 6X60	4		
		6	90021-415-000	BOLT, FLANGE, 12X150	8		
		7	90541-371-000	RUBBER, MOUNTING	4		
		8	94301-14200	PIN A, DOWEL, 14X20	4		

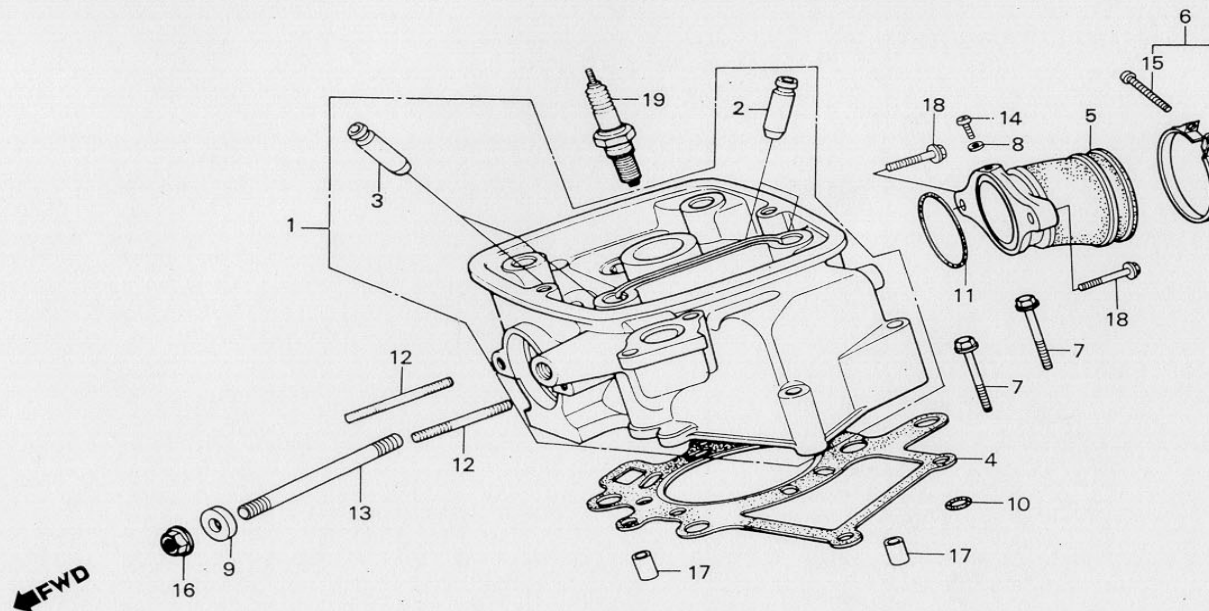


E-4

Right cylinder head

Culasse droit

Rechter Zylinderkopf



BME2-3

Service item	F.R.T.	Ref. No.	Part No.	Description	Reqd. No. CX650Ed	Serial No.	Area code
HEAD COMP., R. CYLINDER	2.3	1	12200-ME2-000	HEAD COMP., R. CYLINDER	1		
GUIDE, VALVE	1.7	2	12231-415-305	GUIDE, IN. VALVE	2		
(INC. REAMING)		3	12241-MA1-305	GUIDE, EX. VALVE	2		
(ADD 0.2 FOR EACH.)		4	12251-ME2-000	GASKET, CYLINDER HEAD	1		
(EXC. VALVE REFACING)		5	16211-ME2-000	INSULATOR, R. CARBURETOR	1		
(ADD MORE 0.2 IF PERFORMED)							
GASKET, CYLINDER HEAD	1.4	6	17255-356-000	BAND, CARBURETOR INSULATOR	1		
INSULATOR, R. CARBURETOR	0.2	7	90068-ME2-000	BOLT, FLANGE, 8X55	2		
BOLT, STUD, 6X55		8	90452-323-000	WASHER, THRUST, 5MM	1		
(ADD 0.1 FOR EACH.)		9	90455-MA1-000	COLLAR, 22MM	1		
		10	91302-044-013	O-RING, 6.9X1.5	1		
		11	91325-567-005	O-RING, 40X2.4	1		
		12	92700-06055-0B	BOLT, STUD, 6X55	2		
		13	92700-10100	BOLT, STUD, 10X100	1		
		14	93500-05008-0A	SCREW, PAN, 5X8	1		
		15	93500-05020-0G	SCREW, PAN, 5X20	1		
		16	94050-10000	NUT, FLANGE, 10MM	1		
		17	94301-08140	PIN A, DOWEL, 8X14	2		
		18	96000-06022-00	BOLT, FLANGE, 6X22	2		
		19	98069-58916	PLUG, SPARK (DPR8EA-9 NGK)	1		
			98069-58926	PLUG, SPARK (X24EPR-U9 ND)	1		
			98069-59916	PLUG, SPARK (DPR9EA-9 NGK)	(1)		
			98069-59926	PLUG, SPARK (X27EPR-U9 ND)	(1)		

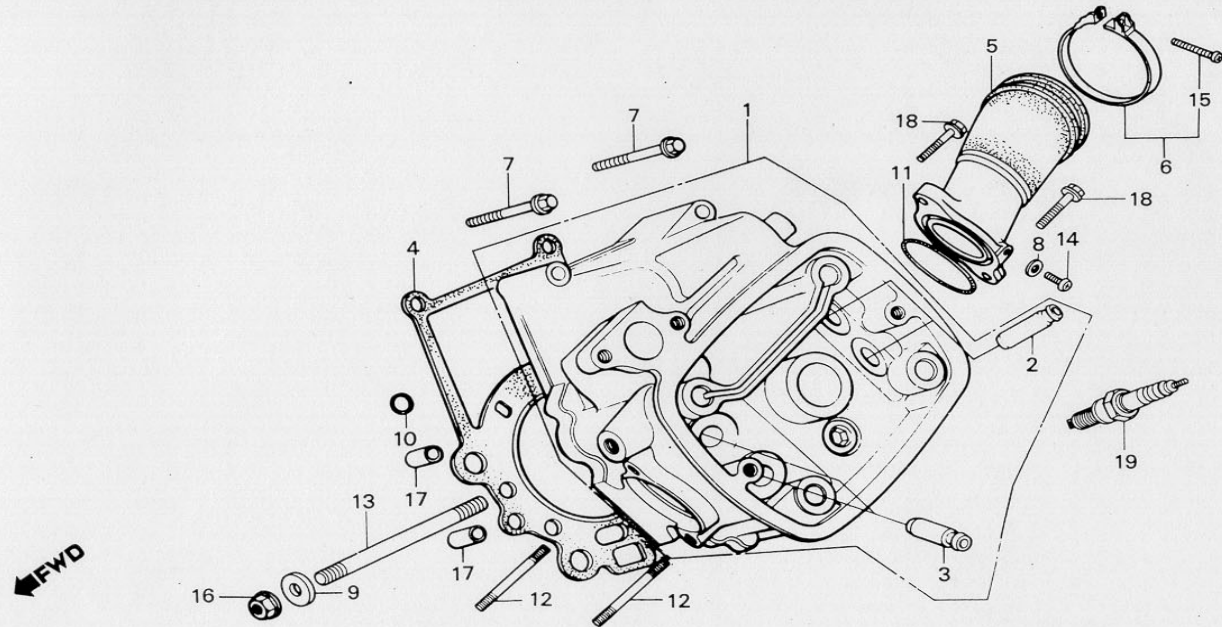
C 7

E-5

Left cylinder head

Culasse gauche

Linker Zylinderkopf



BME2-4

Service item	F.R.T.	Ref. No.	Part No.	Description	Reqd. No. CX650Ed	Serial No.	Area code
HEAD COMP., L. CYLINDER	2.3	1	12210-ME2-000	HEAD COMP., L. CYLINDER	1		
GUIDE, VALVE	1.7	2	12231-415-305	GUIDE, IN. VALVE	2		
(INC. REAMING)		3	12241-MA1-305	GUIDE, EX. VALVE	2		
(ADD 0.2 FOR EACH.)		4	12251-ME2-000	GASKET, CYLINDER HEAD	1		
(EXC. VALVE REFACING)		5	16221-ME2-000	INSULATOR, L. CARBURETOR	1		
(ADD MORE 0.2 IF PERFORMED)							
GASKET, CYLINDER HEAD	1.4	6	17255-356-000	BAND, CARBURETOR INSULATOR	1		
INSULATOR, L. CARBURETOR	0.2	7	90068-ME2-000	BOLT, FLANGE, 8X55	2		
BOLT, STUD, 6X55		8	90452-323-000	WASHER, THRUST, 5MM	1		
(ADD 0.1 FOR EACH.)		9	90455-MA1-000	COLLAR, 22MM	1		
		10	91302-044-013	O-RING, 6.9X1.5	1		
		11	91325-567-005	O-RING, 40X2.4	1		
		12	92700-06055-0B	BOLT, STUD, 6X55	2		
		13	92700-10100	BOLT, STUD, 10X100	1		
		14	93500-05008-0A	SCREW, PAN, 5X8	1		
		15	93500-05020-0G	SCREW, PAN, 5X20	1		
		16	94050-10000	NUT, FLANGE, 10MM	1		
		17	94301-08140	PIN A, DOWEL, 8X14	2		
		18	96000-06022-00	BOLT, FLANGE, 6X22	2		
		19	98069-58916	PLUG, SPARK (DPR8EA-9 NGK)	1		
			98069-58926	PLUG, SPARK (X24EPR-U9 ND)	1		
			98069-59916	PLUG, SPARK (DPR9EA-9 NGK)	(1)		
			98069-59926	PLUG, SPARK (X27EPR-U9 ND)	(1)		

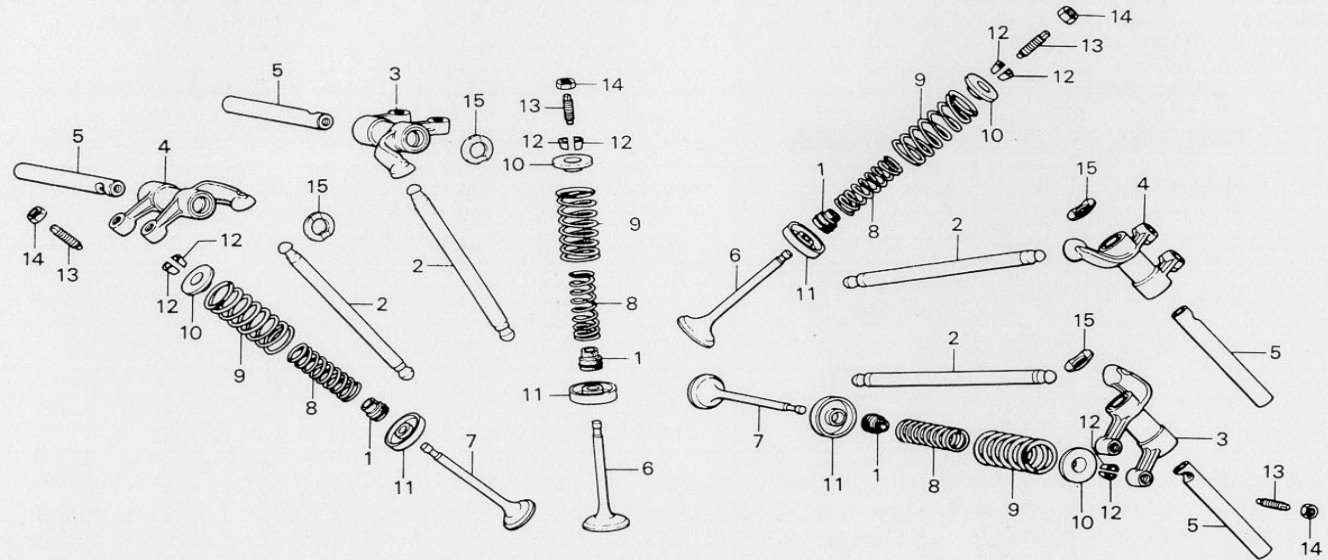


E-6

Valve · Upper rocker arm

Soupape · Culbuteur supérieur

Ventil · Oberer Kipphebel



B415-6

Service item	F.R.T.	Ref. No.	Part No.	Description	Reqd. No. CX650Ed	Serial No.	Area code
ROD COMP., PUSH	0.5	1	12209-300-003	SEAL, VALVE STEM	8		
ARM COMP. A, UPPER ROCKER (INC. RELATIVE PART)	0.8	2	14410-ME2-000	ROD COMP., PUSH	4		
VALVE	1.6	3	14420-MG0-000	ARM COMP. A, UPPER ROCKER	2		
(ADD 0.2 FOR EACH.) (INC. REFACING) (EXC. VALVE GUIDE REPLACEMENT)		4	14430-MG0-000	ARM COMP. B, UPPER ROCKER	2		
SPRING, VALVE INNER (INC. RELATIVE PART) (ADD 0.1 FOR EACH.)	1.5	5	14450-ME2-000	SHAFT COMP., UPPER ROCKER ARM	4		
		6	14711-ME2-000	VALVE, IN.	4		
		7	14721-415-000	VALVE, EX.	4		
		8	14751-ME2-000	SPRING, VALVE INNER	8		
		9	14761-415-005	SPRING, VALVE OUTER	8		
		10	14771-551-020	RETAINER, VALVE SPRING	8		
		11	14775-300-000	SEAT, VALVE SPRING	8		
		12	14781-551-000	COTTER, VALVE	16		
		13	90012-414-000	SCREW, TAPPET ADJUSTING	8		
		14	90206-590-000	NUT, TAPPET ADJUSTING	8		
		15	90405-415-000	WASHER, WAVE, 1.5MM	4		

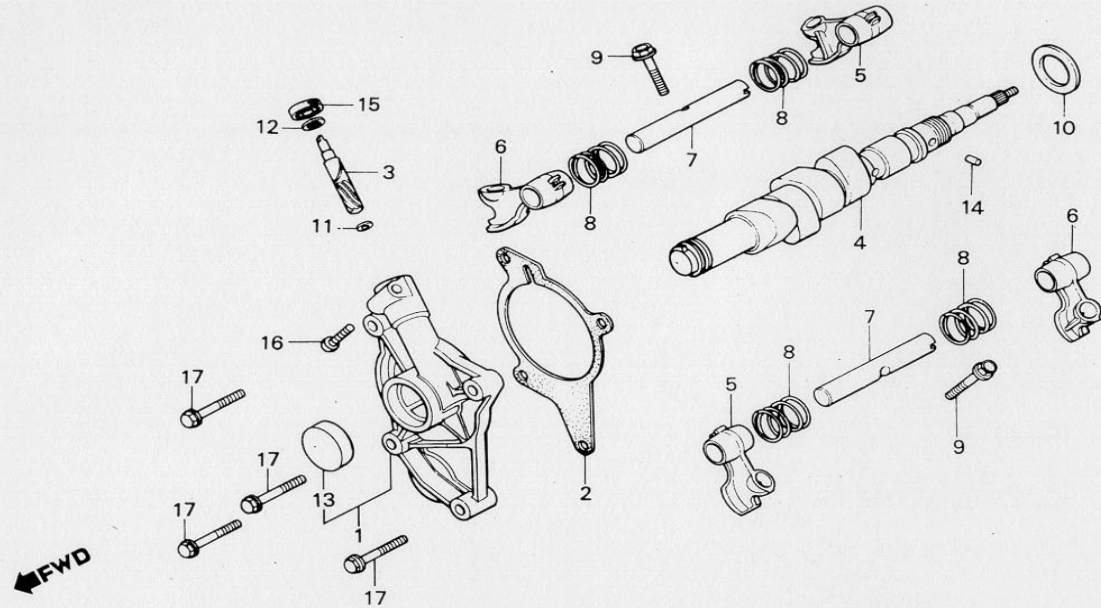


E-7

Camshaft · Lower rocker arm

Arbre à cames · Culbuteur inférieur

Nockenwelle · Unterer Kipphebel



BME2-5

Service item	F.R.T.	Ref. No.	Part No.	Description	Reqd. No. CX650Ed	Serial No.	Area code
HOLDER COMP., CAMSHAFT	0.9	1	12220-ME2-000	HOLDER COMP., CAMSHAFT	1		
GEAR, TACHOMETER		2	12230-449-700	GASKET, CAMSHAFT HOLDER	1		
GASKET, CAMSHAFT HOLDER	0.8	3	12431-415-010	GEAR, TACHOMETER	1		
CAMSHAFT COMP.	*4.2	4	14100-ME2-000	CAMSHAFT COMP.	1		
SHAFT, LOWER ROCKER ARM (INC. RELATIVE PART) (ADD 0.4 FOR EACH.)	*3.9	5	14441-415-010	ARM A, LOWER ROCKER	2		
		6	14442-415-010	ARM B, LOWER ROCKER	2		
		7	14451-415-000	SHAFT, LOWER ROCKER ARM	2		
		8	14453-415-000	SPRING A, VALVE ROCKER ARM	4		
		9	90008-415-000	BOLT, SPECIAL, 6X30	2		
		10	90407-415-000	WASHER, THRUST, 26MM	1		
		11	90441-044-300	WASHER	1		
		12	90458-324-000	WASHER, THRUST, 6.7MM	1		
		13	90702-ME2-000	COLLAR, 28MM	1		
		14	91105-415-000	ROLLER, 5X8.5	1		
		15	91211-415-003	OIL SEAL, 6X14.5X5	1		
			91211-415-004	OIL SEAL, 6X14.5X5	1		
		16	93500-05020-0G	SCREW, PAN, 5X20	1		
		17	96000-06028-00	BOLT, FLANGE, 6X28	4		

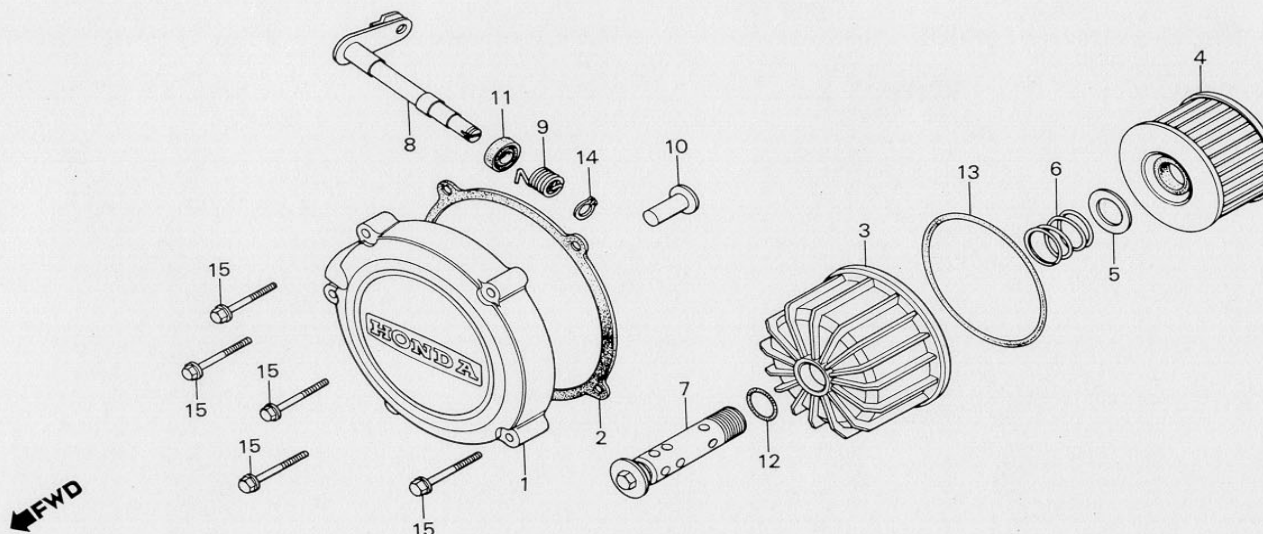
C 10

E-8

Clutch cover · Oil filter

Couvercle d'embrayage ·
Filtre à huile

Kupplungsdeckel · Ölfilter



B415-8

Service item	F.R.T.	Ref. No.	Part No.	Description	Reqd. No. CX650Ed	Serial No.	Area code
COVER COMP., CLUTCH GASKET, CLUTCH COVER	0.4	1	11370-449-000	COVER COMP., CLUTCH	1		
	0.2	2	11372-449-700	GASKET, CLUTCH COVER	1		
ELEMENT, OIL FILTER (INC. RELATIVE PART)		3	15411-449-000	CASE, OIL FILTER	1		
		4	15412-413-005	ELEMENT, OIL FILTER	1		
SHAFT, CLUTCH LEVER (INC. RELATIVE PART)	0.3	5	15414-300-000	SEAT, OIL FILTER SPRING	1		
		6	15415-413-000	SPRING, FILTER ELEMENT SETTING	1		
		7	15420-415-000	BOLT COMP., OIL FILTER CENTER	1		
		8	22811-MG0-000	SHAFT, CLUTCH LEVER	1		
		9	22815-413-000	SPRING, CLUTCH LEVER	1		
		10	22847-415-000	ROD, CLUTCH LIFTER	1		
		11	91201-706-003	OIL SEAL, 12X18X4	1		
		12	91302-377-000	O-RING, 15X2.5	1		
		13	91311-415-000	O-RING, 81X4.5	1		
		14	94510-10000	CIRCLIP, EXTERNAL, 10	1		
		15	96000-06028-00	BOLT, FLANGE, 6X28	5		

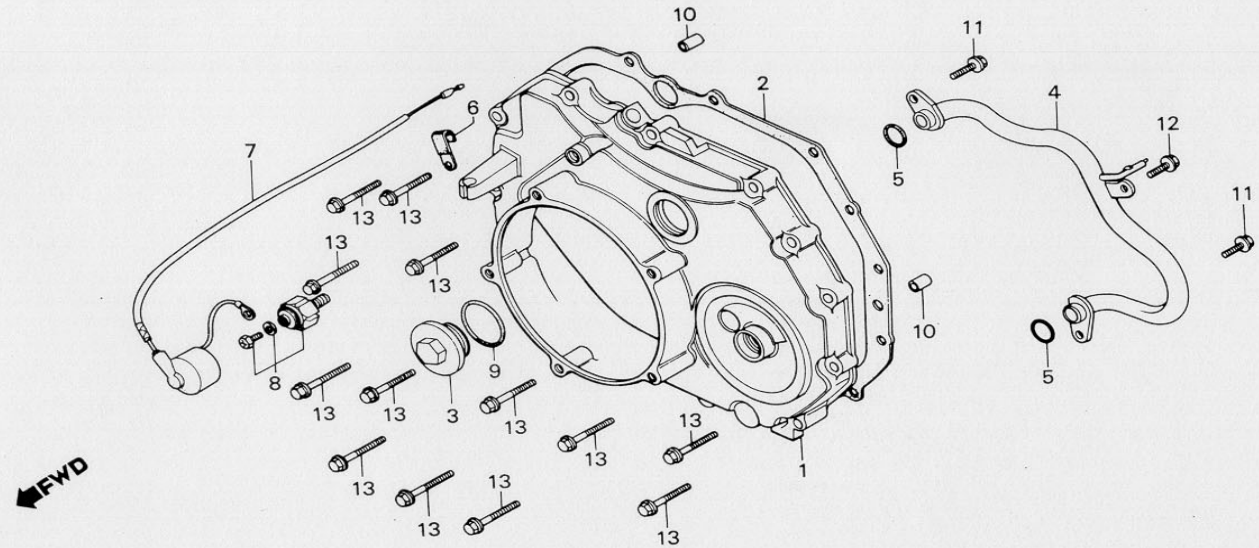
C 11

E-9

Transmission cover

Couvercle de transmission

Getriebedeckel



MBE2-6

Service item	F.R.T.	Ref. No.	Part No.	Description	Reqd. No. CX650Ed	Serial No.	Area code
COVER COMP., TRANSMISSION	1.4	1	11360-ME2-000	COVER COMP., TRANSMISSION	1		
GASKET, TRANSMISSION COVER	1.1	2	11391-ME2-000	GASKET, TRANSMISSION COVER	1		
PIPE COMP., OIL PASS	1.2	3	12363-MC7-000	CAP, A.C. GENERATOR TIMING	1		
SUB CORD B, ENGINE	0.8			MARK			
SWITCH ASSY., OIL PRESSURE	0.6	4	15142-ME2-000	PIPE COMP., OIL PASS	1		
		5	16997-357-003	O-RING, 11.8X2.4	2		
		6	32111-323-000	CLAMPER, CORD	1		
		7	32117-MA1-730	SUB CORD B, ENGINE	1		
		8	35500-MB9-004	SWITCH ASSY., OIL PRESSURE	1		
		9	91302-001-000	O-RING, 27.5MM	1		
		10	94301-08140	PIN A, DOWEL, 8X14	2		
		11	95700-06014-00	BOLT, FLANGE, 6X14	2		
		12	96000-06014-00	BOLT, FLANGE, 6X14	1		
		13	96000-06028-00	BOLT, FLANGE, 6X28	13		

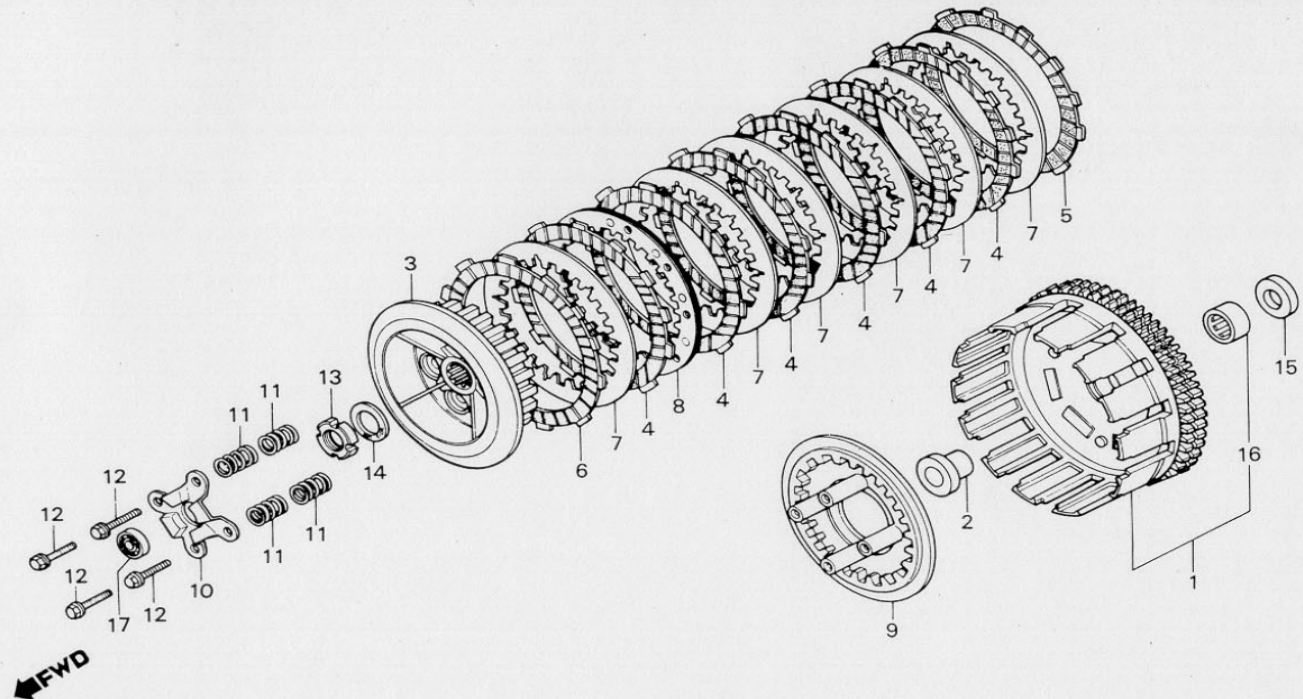
C 12

E-10

Clutch

Embrayage

Kupplung



BME2-7

Service item	F.R.T.	Ref. No.	Part No.	Description	Reqd. No. CX650ED	Serial No.	Area code
OUTER COMP., CLUTCH	0.5	1	22100-ME2-000	OUTER COMP., CLUTCH	1		
CENTER COMP., CLUTCH		2	22116-ME2-000	GUIDE, CLUTCH OUTER	1		
DISK, CLUTCH FRICTION (INC. RELATIVE PART) (ONE OR ALL)		3	22120-ME2-000	CENTER COMP., CLUTCH	1		
		4	22201-ME2-000	DISK, CLUTCH FRICTION	6		
		5	22201-286-010	DISK, CLUTCH FRICTION	1		
PLATE, CLUTCH LIFTER	0.3	6	22202-390-000	DISK B, CLUTCH FRICTION	1		
SPRING, CLUTCH	0.4	7	22321-329-000	PLATE B, CLUTCH	6		
(ONE OR ALL)		8	22322-390-000	PLATE COMP. B, CLUTCH	1		
		9	22350-ME2-000	PLATE, CLUTCH PRESSURE	1		
		10	22361-415-000	PLATE, CLUTCH LIFTER	1		
		11	22401-ME2-000	SPRING, CLUTCH	4		
		12	90050-357-000	BOLT, SPECIAL FLANGE, 6X22	4		
		13	90204-426-000	NUT, LOCK, 20MM	1		
		14	90432-121-000	WASHER, LOCK	1		
		15	90453-ME2-000	WASHER, THRUST, 25MM	1		
		16	91021-ME2-003	BEARING, NEEDLE, 32X42X20	1		
		17	96100-60000-00	BEARING, RADIAL BALL, 6000	1		

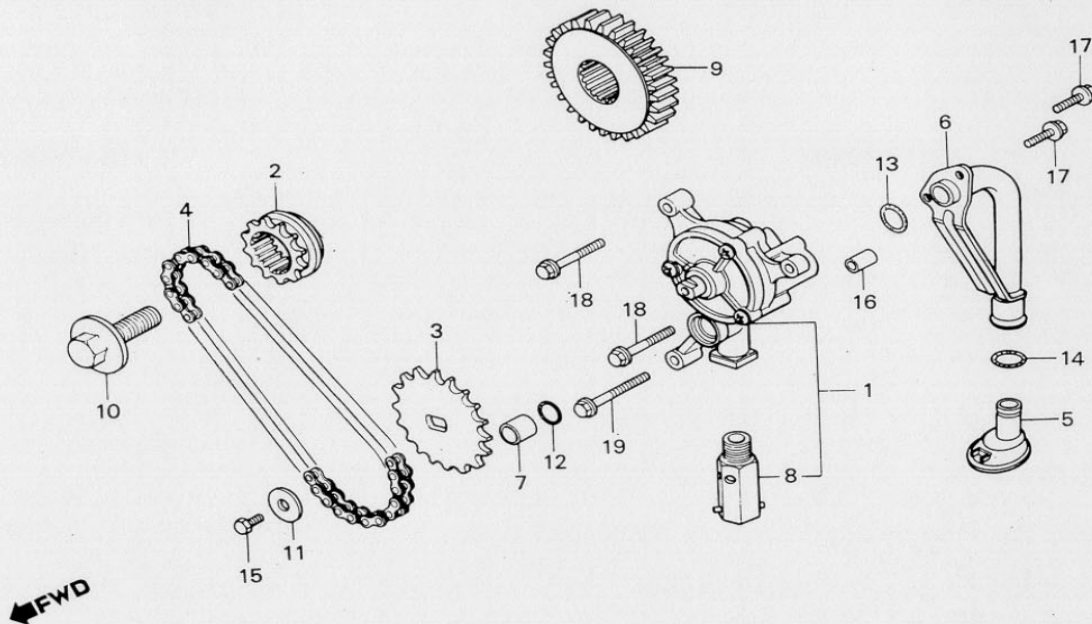
C 13

E-11

Oil pump · Primary drive gear

Pompe à huile ·
Pignon commande primaire

Ölpumpe · Primäres Antriebszahnrad



BME2-8

Service item	F.R.T.	Ref. No.	Part No.	Description	Reqd. No. CX650Ed	Serial No.	Area code
PUMP ASSY., OIL	1.2	1	15100-ME2-000	PUMP ASSY., OIL	1		
·CHAIN, OIL PUMP		2	15115-415-000	SPROCKET, OIL PUMP DRIVE	1		
·PIPE COMP., OIL STRAINER		3	15116-415-000	SPROCKET, OIL PUMP DRIVEN	1		
·VALVE ASSY., RELIEF		4	15140-415-003	CHAIN, OIL PUMP	1		
BODY COMP., OIL STRAINER	0.5	5	15141-ME2-010	BODY COMP., OIL STRAINER	1		
GEAR, PRIMARY DRIVE	1.3	6	15143-ME2-000	PIPE COMP., OIL STRAINER	1		
		7	15155-300-000	COLLAR, O-RING	1		
		8	15220-415-000	VALVE ASSY., RELIEF	1		
		9	23121-ME2-000	GEAR, PRIMARY DRIVE	1		
		10	90013-415-000	BOLT, UBS, 12X28	1		
		11	90486-028-000	WASHER, SPARK ADVANCER SETTING	1		
		12	91301-268-020	O-RING, 14MM	1		
		13	91302-377-000	O-RING, 15X2.5	1		
		14	91363-MC7-004	O-RING, 15.3X3.5	1		
		15	92000-06008	BOLT, HEX., 6X8	1		
		16	94301-08140	PIN A, DOWEL, 8X14	1		
		17	95700-06014-00	BOLT, FLANGE, 6X14	2		
		18	95700-06025-00	BOLT, FLANGE, 6X25	2		
		19	95700-06032-00	BOLT, FLANGE, 6X32	1		

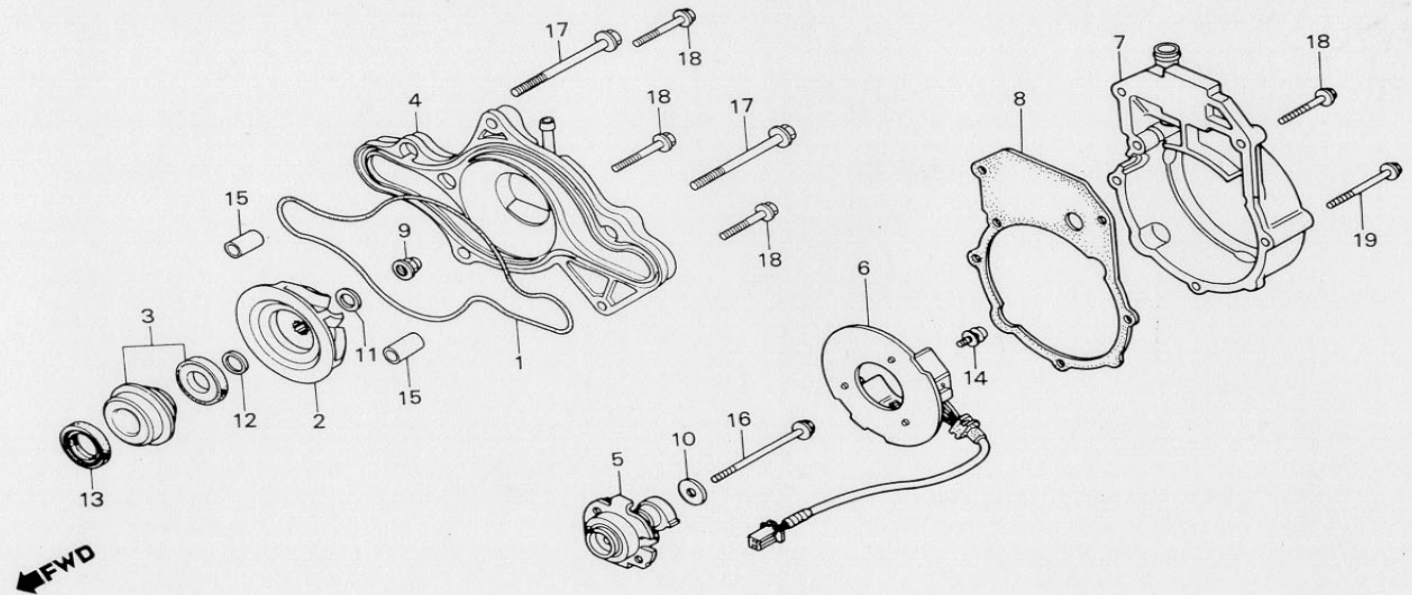
C 14

E-12

Water pump

Pompe à eau

Wasserpumpe



BME2

Service item	F.R.T.	Ref. No.	Part No.	Description	Reqd. No. CX650ED	Serial No.	Area code
GASKET, WATER PUMP BASE	0.9	1	11396-415-000	GASKET, WATER PUMP BASE	1		
COVER, WATER PUMP		2	19215-ME2-000	IMPELLER, WATER PUMP	1		
IMPELLER, WATER PUMP	1.0	3	19217-657-023	SEAL, MECHANICAL	1		
SEAL, MECHANICAL	*3.2	4	19221-ME2-000	COVER, WATER PUMP	1		
ADVANCER ASSY., SPARK	1.8	5	30220-ME2-000	ADVANCER ASSY., SPARK	1		
GENERATOR COMP., PULSE		6	30300-MG0-000	GENERATOR COMP., PULSE	1		
COVER COMP., PULSER	1.6	7	30372-MC7-010	COVER COMP., PULSER	1		
GASKET, PULSER COVER		8	30373-MC7-000	GASKET, PULSER COVER	1		
NUT, CAP, 6MM		9	90201-415-000	NUT, CAP, 6MM	1		
WASHER, CAMSHAFT SIDE		10	90417-115-000	WASHER, CAMSHAFT SIDE	1		
WASHER, SEALING, 6MM		11	90441-706-000	WASHER, SEALING, 6MM	1		
WASHER, THRUST, 10MM		12	90453-415-000	WASHER, THRUST, 10MM	1		
OIL SEAL, 18X28X6		13	91202-283-013	OIL SEAL, 18X28X6	1		
SCREW-WASHER, 6X12		14	93891-06012-00	SCREW-WASHER, 6X12	2		
PIN A, DOWEL, 10X16		15	94301-10160	PIN A, DOWEL, 10X16	2		
BOLT, FLANGE, 6X60		16	95700-06060-00	BOLT, FLANGE, 6X60	1		
BOLT, FLANGE, 8X65		17	95700-08065-00	BOLT, FLANGE, 8X65	2		
BOLT, FLANGE, 6X25		18	96000-06025-00	BOLT, FLANGE, 6X25	7		
BOLT, FLANGE, 6X40		19	96000-06040-00	BOLT, FLANGE, 6X40	2		

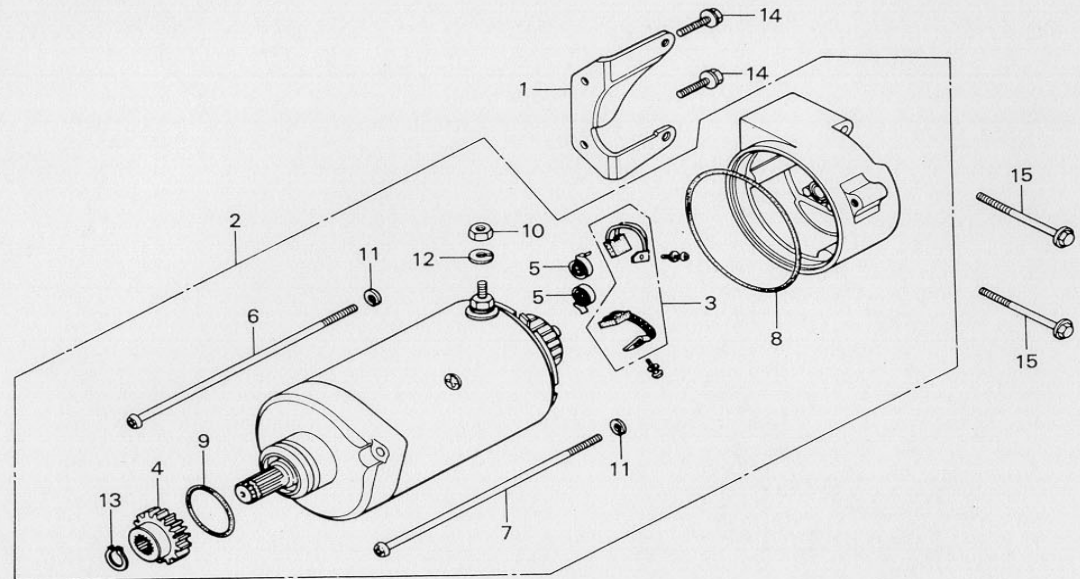
C 15

E-13

Starting motor

Moteur démarrage

Anlassermotor



B415-13

Service item	F.R.T.	Ref. No.	Part No.	Description	Reqd. No. CX650ED	Serial No.	Area code
MOTOR ASSY., STARTING	0.2	1	11312-415-000	STAY, STARTING MOTOR	1		
GEAR, STARTING MOTOR		2	31200-449-008	MOTOR ASSY., STARTING	1		
BRUSH SET, CARBON	0.4	3	31201-292-158	BRUSH SET, CARBON	1		
		4	31201-415-000	GEAR, STARTING MOTOR (27T)	1		
		5	31204-292-158	SPRING, CARBON BRUSH	2		
		6	31205-413-780	BOLT, STARTING MOTOR COVER	1		
		7	31205-449-008	BOLT A, SETTING	1		
		8	31206-415-000	O-RING, 60X1.4	1		
		9	91309-300-000	O-RING, 24.4X3.1	1		
		10	94002-06000	NUT, HEX., 6MM	1		
		11	94111-05000	WASHER, SPRING, 5MM	2		
		12	94111-06000	WASHER, SPRING, 6MM	1		
		13	94510-11000	CIRCLIP, EXTERNAL, 11	1		
		14	96000-06018-00	BOLT, FLANGE, 6X18	2		
		15	96000-06035-00	BOLT, FLANGE, 6X35	2		

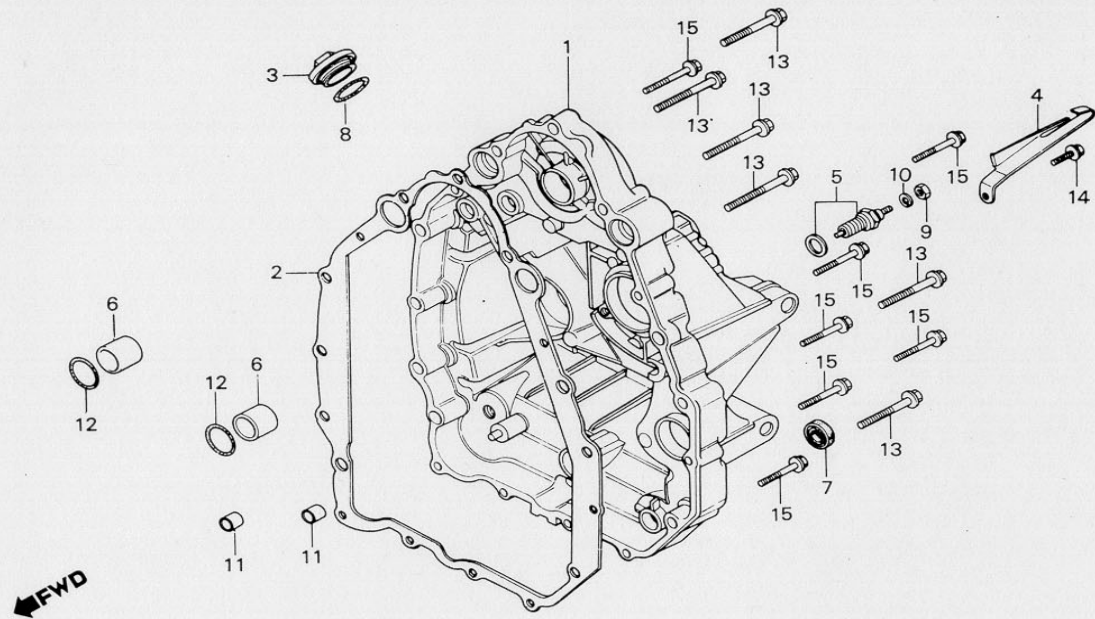
C 16

E-14

Rear cover

Couvercle arrière

Hinterdeckel



BMA1-9

Service item	F.R.T.	Ref. No.	Part No.	Description	Reqd. No. CX650Ed	Serial No.	Area code
COVER, RR.	*3.8	1	11310-ME2-000	COVER, RR.	1		
GASKET, RR. COVER	*3.1	2	11394-449-701	GASKET, RR. COVER	1		
SWITCH ASSY., NEUTRAL	0.3	3	12363-MC7-000	CAP, A.C. GENERATOR TIMING MARK	1		
OIL SEAL, 14X26X7	*3.2	4	31140-415-000	GUIDE, NEUTRAL CORD	1		
		5	35600-413-003	SWITCH ASSY., NEUTRAL (TOYO)	1		
		6	90701-415-000	COLLAR, 22.2MM	2		
		7	91201-023-020	OIL SEAL, 14X26X7	1		
		8	91302-001-000	O-RING, 27.5MM	1		
		9	94001-04000-0S	NUT, HEX., 4MM	1		
		10	94111-04800	WASHER, SPRING, 4MM	1		
		11	94301-10160	PIN A, DOWEL, 10X16	2		
		12	94608-50000	O-RING, 23X2.8	2		
		13	95700-08040-00	BOLT, FLANGE, 8X40	6		
		14	96000-06014-00	BOLT, FLANGE, 6X14	1		
		15	96000-06032-00	BOLT, FLANGE, 6X32	7		

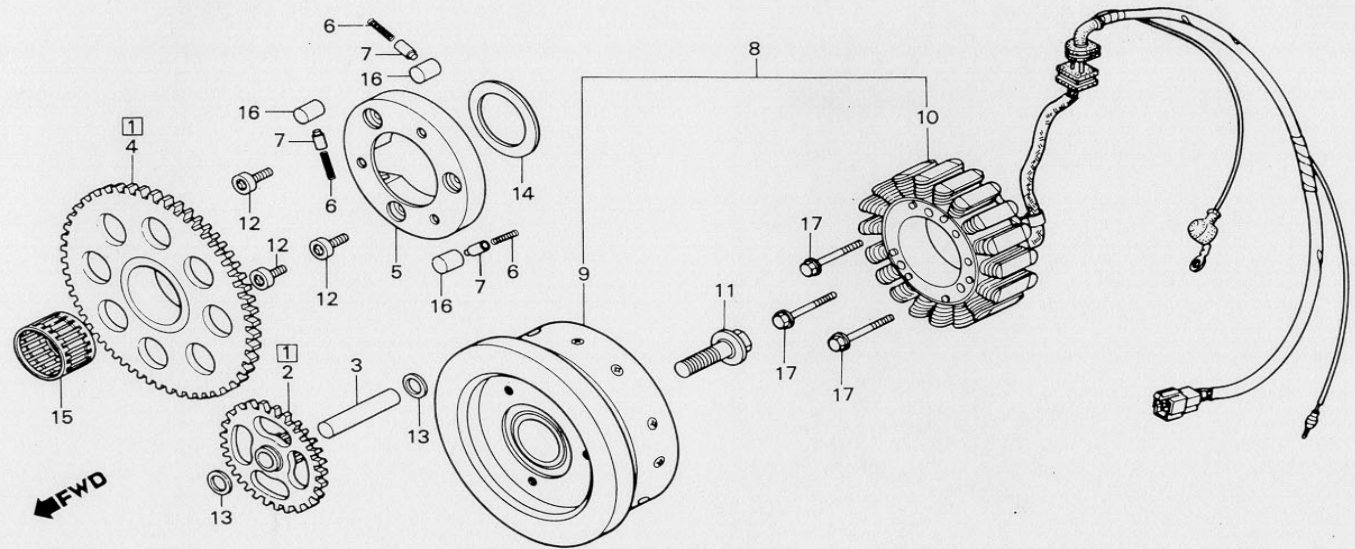
D 1

E-15

Generator

Générateur

Lichtmaschine



BMA1-10

Service item	F.R.T.	Ref. No.	Part No.	Description	Reqd. No. CX650ED	Serial No.	Area code
GEAR SET, STARTING	#3.3	[1]	28100-415-305	GEAR SET, STARTING	1		
GEAR COMP., STARTING DRIVEN		2	28102-415-010	GEAR, STARTER REDUCTION	1		
ROLLER, 15X13 (INC. RELATIVE PART)		3	28106-415-000	SHAFT, STARTER REDUCTION GEAR	1		
(ONE OR ALL)		4	28110-415-010	GEAR COMP., STARTING DRIVEN	1		
GEAR, STARTER REDUCTION		5	28120-415-000	OUTER, STARTING CLUTCH	1		
OUTER, STARTING CLUTCH	#3.2	6	28125-516-030	SPRING, STARTING CLUTCH ROLLER	3		
FLYWHEEL COMP.	#3.4	7	28126-415-000	CAP, STARTING CLUTCH ROLLER	3		
STATOR COMP.	#3.6	8	31100-MA1-731	GENERATOR ASSY., FLYWHEEL TYPE A.C. (HITACHI)	1		
GEAR, STARTER REDUCTION		9	31110-MA1-731	FLYWHEEL COMP. (HITACHI)	1		
OUTER, STARTING CLUTCH		10	31120-MA1-005	STATOR COMP. (HITACHI)	1		
GEAR SET, STARTING		11	90002-415-003	BOLT, A.C. GENERATOR SETTING, 12X30	1		
GEAR COMP., STARTING DRIVEN		12	90010-415-000	BOLT, SOCKET, 8MM	3		
OUTER, STARTING CLUTCH		13	90451-708-000	WASHER, 12MM	2		
FLYWHEEL COMP.		14	90454-415-000	WASHER, THRUST, 37MM	1		
STATOR COMP.		15	91021-415-005	BEARING, NEEDLE, 32MM (TOMUSON)	1		
GENERATOR ASSY., FLYWHEEL TYPE A.C.		16	91101-516-000	ROLLER, 15X13	3		
		17	95700-06040-00	BOLT, FLANGE, 6X40	3		

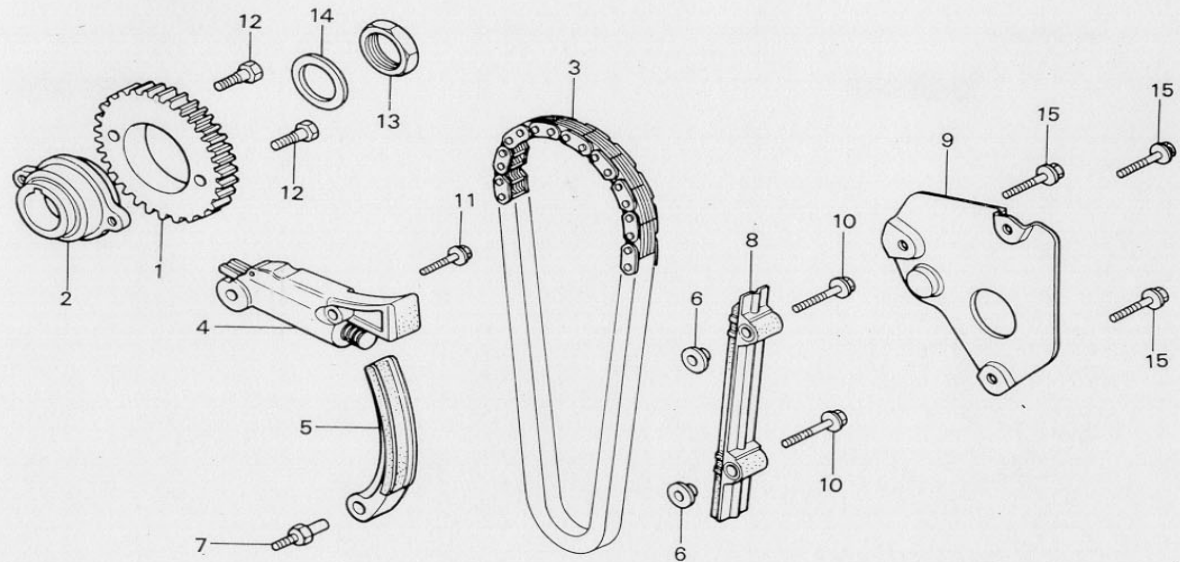
D 2

E-16

Cam chain · Tensioner

Chaîne de cames · Tendeur

Steuerkette · Spanner



Service item	F.R.T.	Ref. No.	Part No.	Description	Reqd. No. CX650Ed	Serial No.	Area code
SPROCKET, CAM		1	14321-415-000	SPROCKET, CAM	1		
TENSIONER COMP., CAM CHAIN	*3.2	2	14322-415-000	BOSS, CAM SPROCKET	1		
BOSS, CAM SPROCKET		3	14401-ME2-003	CHAIN, CAM	1		
CHAIN, CAM		4	14500-MC7-000	TENSIONER COMP., CAM CHAIN	1		
TENSIONER, CAM CHAIN	*3.6	5	14511-MC7-000	TENSIONER, CAM CHAIN	1		
GUIDE, CAM CHAIN	*3.4	6	14515-428-000	COLLAR, 6X14.7	2		
PLATE, CAM CHAIN SETTING		7	14538-MC7-000	PIN, TENSIONER SETTING	1		
		8	14620-MC7-000	GUIDE, CAM CHAIN	1		
		9	14623-MC7-000	PLATE, CAM CHAIN SETTING	1		
		10	90011-415-000	BOLT, HEX., 6X30	2		
		11	90015-MC7-000	BOLT, FLANGE, 8X32	1		
		12	90081-415-000	BOLT, HEX. KNOCK, 7X17	2		
		13	90207-415-000	NUT, HEX., 20MM	1		
		14	90432-121-000	WASHER, LOCK	1		
		15	95700-06016-00	BOLT, FLANGE, 6X16	3		

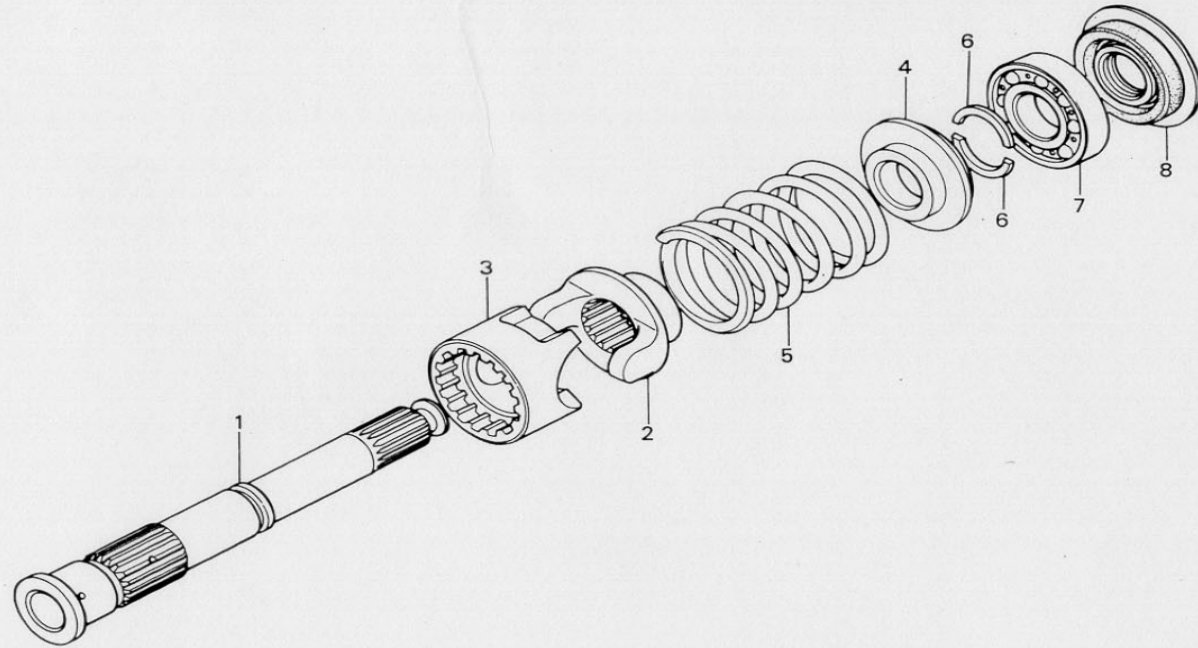
D 3

E-17

Final shaft

Arebre final

Endwelle



Service item	F.R.T.	Ref. No.	Part No.	Description	Reqd. No. CX650ED	Serial No.	Area code
SHAFT, FINAL	*3.2	1	23521-MG0-000	SHAFT, FINAL	1		
(INC. RELATIVE PART)		2	23721-MA1-000	LIFTER, DAMPER	1		
BEARING, BALL, 62/22		3	23722-MC7-000	CAM, DAMPER	1		
OIL SEAL, 22X36X7	1.0	4	23731-371-000	STOPPER, DAMPER SPRING	1		
		5	23732-MA1-000	SPRING, DAMPER	1		
		6	23733-371-000	WASHER, SPRING STOPPER	2		
		7	91005-634-004	BEARING, BALL, 62/22 (KOYO)	1		
			91005-634-008	BEARING, BALL, 62/22 (TOYO)	1		
		8	91202-415-003	OIL SEAL, 22X36X7	1		
			91202-415-004	OIL SEAL, 22X36X7	1		

B415-

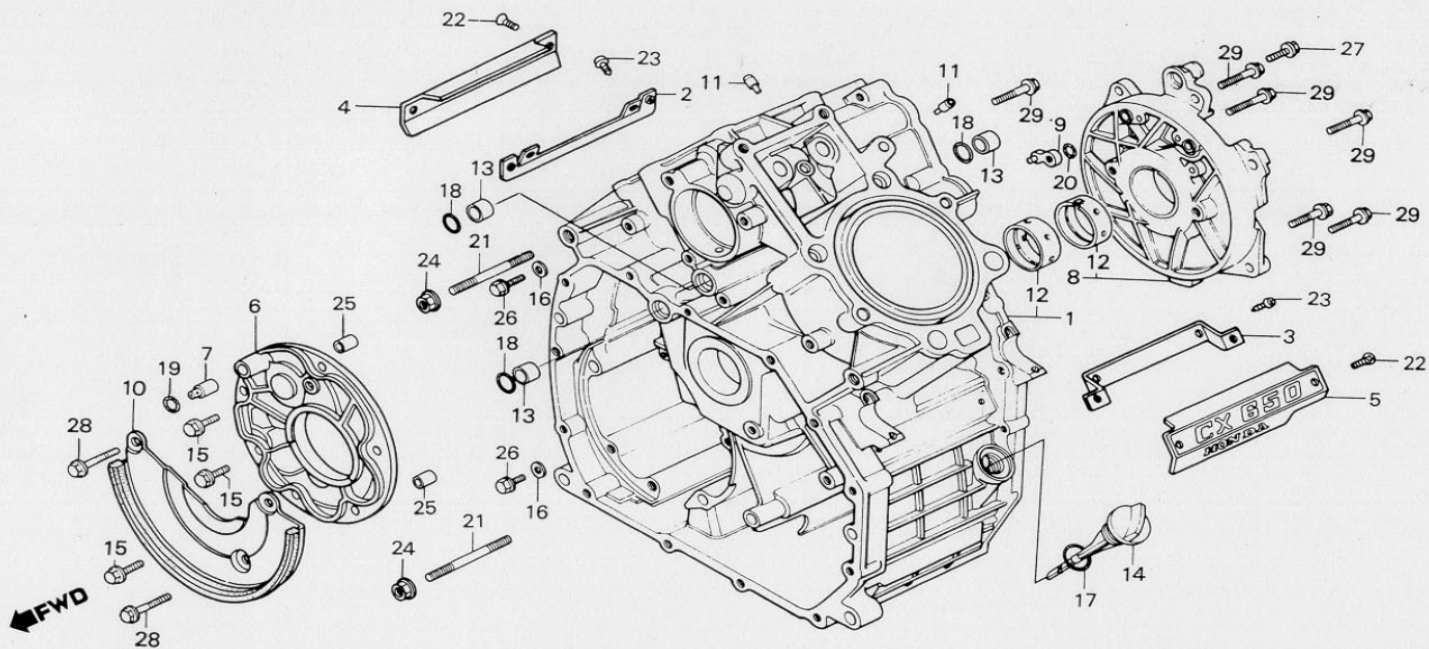
D 4

E-18

Cylinder block

Bloc moteur

Zylinderblock



Service item	F.R.T.	Ref. No.	Part No.	Description	Reqd. No. CX650Ed	Serial No.	Area code
BLOCK COMP., CYLINDER	*6.2	1	11100-ME2-010	BLOCK COMP., CYLINDER	1		
HOLDER, TRANSMISSION	*3.7	2	11102-ME2-000	SPACER, R. EMBLEM	1		
CAP COMP., CRANKSHAFT	*5.6	3	11103-ME2-000	SPACER, L. EMBLEM	1		
BEARING A, MAIN (ONE OR ALL)		4	11104-MG0-000	EMBLEM, CYLINDER BLOCK R.	1		
SEPARATOR COMP., OIL	1.3	5	11105-MG0-000	EMBLEM, CYLINDER BLOCK L.	1		
BOLT, STUD, 10X90 (ADD 0.1 FOR EACH.)	1.0	6	11131-MC7-000	HOLDER, TRANSMISSION	1		
		7	11132-MC7-000	ORIFICE, 8MM	1		
		8	11140-ME2-000	CAP COMP., CRANKSHAFT	1		
		9	11146-ME2-000	JET COMP., R. OIL	1		
		10	11365-ME2-000	SEPARATOR COMP., OIL	1		
		11	12901-413-000	VALVE, OIL CONTROL ORIFICE	2		
		12	13323-MC7-305	BEARING A, MAIN (BLUE)	2		
			13324-MC7-305	BEARING B, MAIN (BLACK)	2		
			13325-MC7-305	BEARING C, MAIN (BROWN)	2		
		13	15155-300-000	COLLAR, O-RING	3		
		14	15650-449-000	GAUGE, OIL LEVEL	1		
		15	90003-MC7-000	BOLT, FLANGE, 6X20	4		
		16	90461-357-000	WASHER, SEALING, 12MM	2		
		17	91301-250-000	O-RING, 22X3.0	1		
		18	91301-268-020	O-RING, 14MM	3		
		19	91303-001-000	O-RING, 8MM	1		
		20	91308-MC7-000	O-RING, 8.2X1.5	1		
		21	92700-10090-0B	BOLT, STUD, 10X90	2		
		22	93700-04008-0G	SCREW, OVAL, 4X8	4		
		23	93901-34120	SCREW, TAPPING, 4X8	4		

Crankshaft bearing selection

(Oil clearance 30~60 μm)

Cylinder block and bearing cap I.D. 50φ	Crankshaft O.D. 46φ		
	0	+0.010	
A	0 -0.010	13325-MC7-305 C (Brown)	13324-MC7-305 B (Black)
B	-0.010 -0.020	13324-MC7-305 B (Black)	13324-MC7-305 A (Blue)

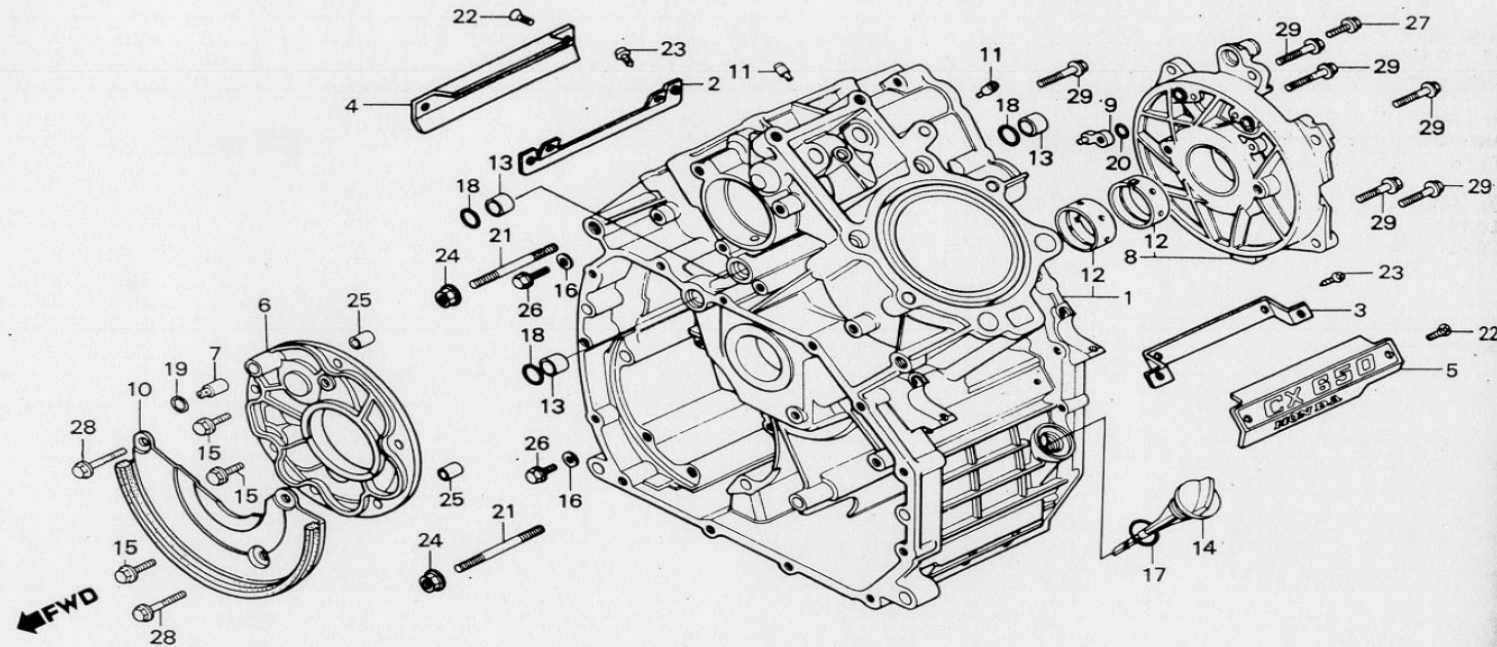
D 5

E-18

Cylinder block

Bloc moteur

Zylinderblock



Service item	F.R.T.	Ref. No.	Part No.	Description	Reqd. No. CX650ED	Serial No.	Area code
		24	94050-10000	NUT, FLANGE, 10MM	2		
		25	94301-08140	PIN A, DOWEL, 8X14	2		
		26	95700-06012-00	BOLT, FLANGE, 6X12	2		
		27	95700-06016-00	BOLT, FLANGE, 6X16	1		
		28	95700-06032-00	BOLT, FLANGE, 6X32	2		
		29	95700-08025-00	BOLT, FLANGE, 8X25	7		

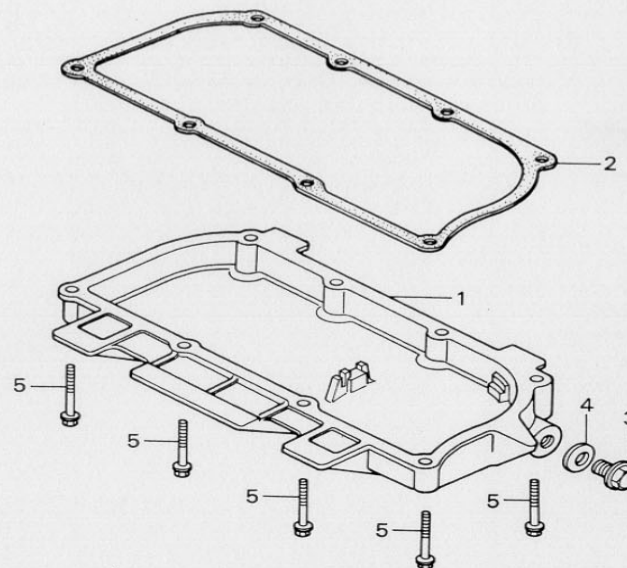


E-19

Oil pan

Carter

Oelwanne



←FWD

Service item	F.R.T.	Ref. No.	Part No.	Description	Reqd. No. CX650Ed	Serial No.	Area code
PAN, OIL GASKET, OIL PAN	0.5	1	11121-ME2-010	PAN, OIL	1		
		2	11128-ME2-000	GASKET, OIL PAN	1		
		3	92800-14000	BOLT, DRAIN PLUG, 14MM	1		
		4	94109-14000	WASHER, DRAIN PLUG, 14MM	1		
		5	96000-06040-00	BOLT, FLANGE, 6X40	8		

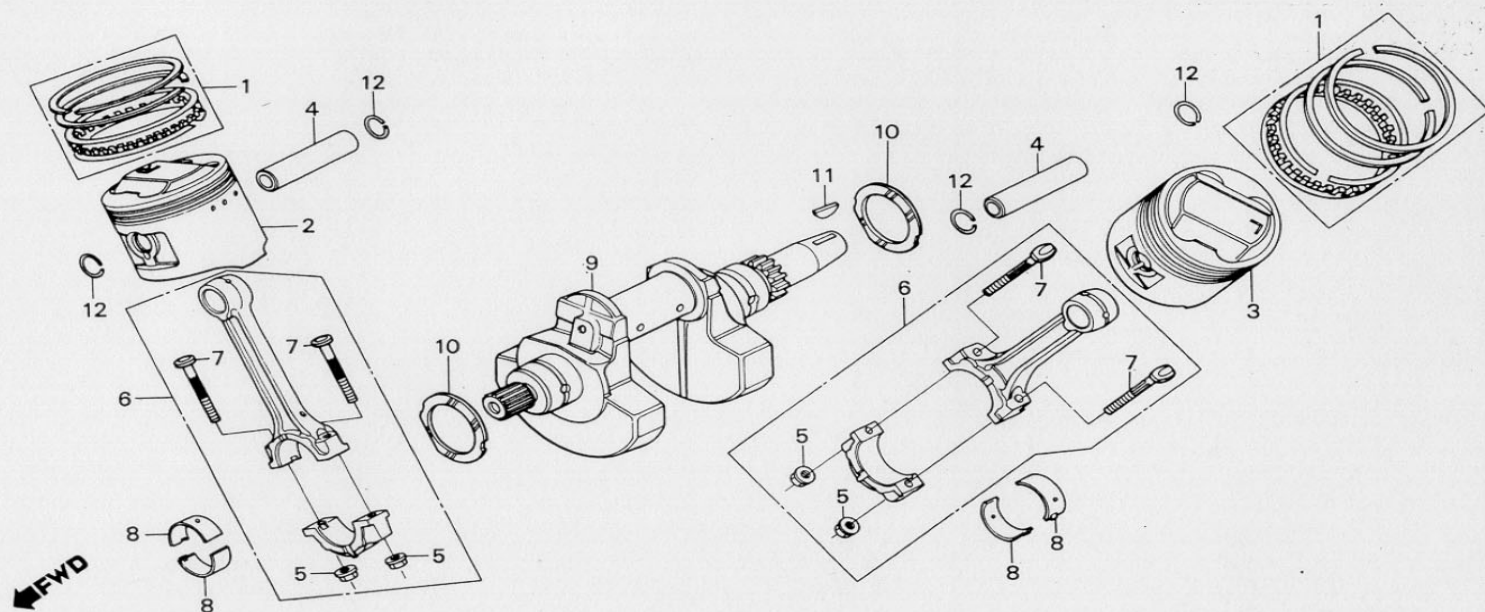
D 7

E-20

Crankshaft · Piston

Vilebrequin · Piston

Kurbelwelle · Kolben



Service item	F.R.T.	Ref. No.	Part No.	Description	Reqd. No. CX650ED	Serial No.	Area code
RING SET, PISTON (L. SIDE *4.3)	2.9	1	13011-ME2-004	RING SET, PISTON (STD. RIKEN)	2		
			13021-ME2-004	RING SET, PISTON (0.25)	(2)		
			13031-ME2-004	RING SET, PISTON (0.50)	(2)		
PISTON, R. (L. SIDE *4.3)		2	13101-ME2-000	PISTON, R. (STD.)	1		
PIN, PISTON (L. SIDE *4.2)	2.8		13103-ME2-000	PISTON, R. (0.25)	(1)		
			13105-ME2-000	PISTON, R. (0.50)	(1)		
ROD ASSY., CONNECTING (L. SIDE *4.3)	3.7	3	13102-ME2-000	PISTON, L. (STD.)	1		
			13104-ME2-000	PISTON, L. (0.25)	(1)		
CRANKSHAFT COMP.	*6.7		13106-ME2-000	PISTON, L. (0.50)	(1)		
		4	13111-ME2-000	PIN, PISTON	2		
		5	13205-ME2-000	NUT, CONNECTING ROD	4		
		6	13210-ME2-000	ROD ASSY., CONNECTING	2		
		7	13213-ME2-000	BOLT, CONNECTING ROD	4		
		8	13216-ME2-003	BEARING B, CONNECTING ROD	4		
			13217-ME2-003	BEARING C, CONNECTING ROD	4		
			13218-ME2-003	BEARING D, CONNECTING ROD	4		
			13219-ME2-003	BEARING E, CONNECTING ROD	4		
			13220-ME2-003	BEARING F, CONNECTING ROD	4		
		9	13300-ME2-000	CRANKSHAFT COMP.	1		
		10	13326-ME2-003	WASHER, CRANK SIDE	2		

Connecting rod bearing selection
(Oil clearance 28~52 m)

Connecting rod I.D. 46φ Crank pin O.D. 43φ	Connecting rod bearing selection		
	1	2	3
	0~+0.008	+0.008~+0.016	+0.016~+0.024
A	-0.010 -0.018 F (Pink)	13219-ME2-003 E (Yellow)	13218-ME2-003 D (Green)
B	-0.018 -0.026 Y (Yellow)	13219-ME2-003 D (Green)	13218-ME2-003 C (Brown)
C	-0.026 -0.034 D (Green)	13218-ME2-003 C (Brown)	13217-ME2-003 B (Black)

BME2-1

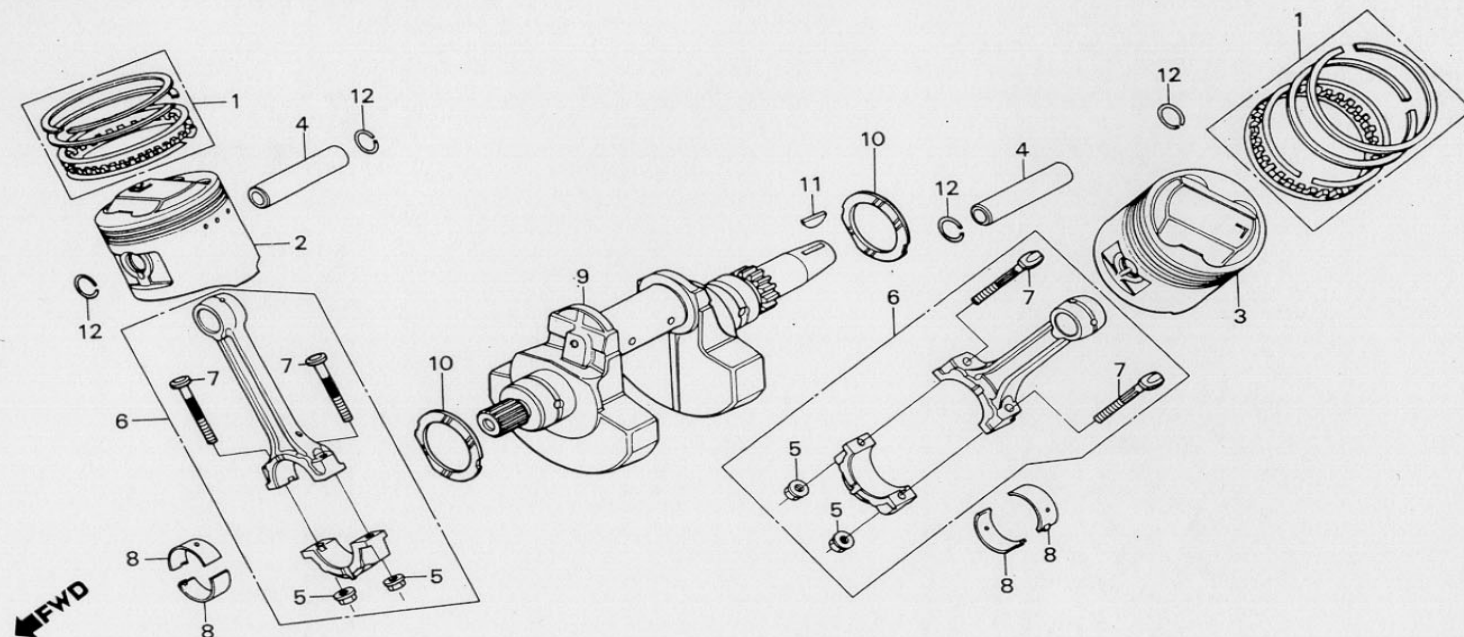
D 8

E-20

Crankshaft · Piston

Vilebrequin · Piston

Kurbelwelle · Kolben



BME2-1

Service item	F.R.T.	Ref. No.	Part No.	Description	Reqd. No. CX650ED	Serial No.	Area code
		11	13331-357-000	KEY, SPECIAL WOODRUFF, 25X18	1		
		12	94601-21000	CLIP, PISTON PIN, 21MM	4		

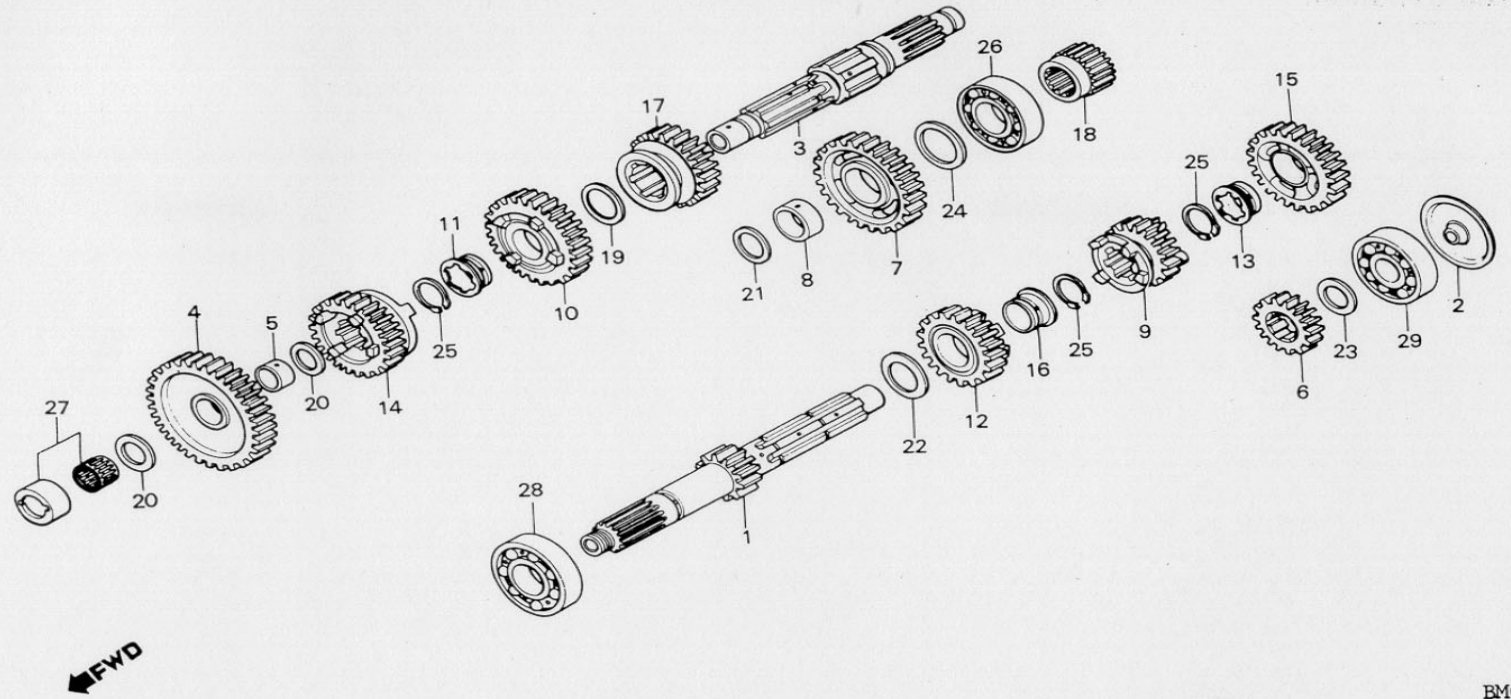


E-21

Transmission

Transmission

Getriebe



BMC7-5

Service item	F.R.T.	Ref. No.	Part No.	Description	Reqd. No. CX650ED	Serial No.	Area code
MAINSHAFT COMP., TRANSMISSION (INC. RELATIVE PART)	*3.9	1	23211-ME2-010	MAINSHAFT COMP., TRANSMISSION (16T)	1		
COUNTERSHAFT, TRANSMISSION (INC. RELATIVE PART)		2	23219-415-000	PLATE, OIL GUIDE	1		
COLLAR, COUNTERSHAFT	*3.1	3	23220-ME2-000	COUNTERSHAFT, TRANSMISSION	1		
		4	23421-ME2-000	GEAR, COUNTERSHAFT FIRST (40T)	1		
		5	23422-MC7-000	BUSH, 20X24X11	1		
		6	23431-MC7-000	GEAR, MAINSHAFT SECOND (21T)	1		
		7	23441-ME2-000	GEAR, COUNTERSHAFT SECOND (36T)	1		
		8	23442-MC7-000	BUSH, 27.5X31X11.5	1		
		9	23451-ME2-000	GEAR, MAINSHAFT THIRD (25T)	1		
		10	23461-ME2-000	GEAR, COUNTERSHAFT THIRD (32T)	1		
		11	23462-MC7-000	BUSH, 25X29X11.5	1		
		12	23471-ME2-000	GEAR, MAINSHAFT FOURTH (28T)	1		
		13	23472-MC7-000	BUSH, SPLINE	1		
		14	23481-ME2-000	GEAR, COUNTERSHAFT FOURTH (29T)	1		
		15	23491-ME2-010	GEAR, MAINSHAFT FIFTH (31T)	1		
		16	23492-ME2-000	BUSH, SPLINE	1		
		17	23501-ME2-010	GEAR, COUNTERSHAFT FIFTH (26T)	1		
		18	23522-415-000	COLLAR, COUNTERSHAFT	1		
		19	90446-430-000	WASHER, THRUST, 25.2X34	1		

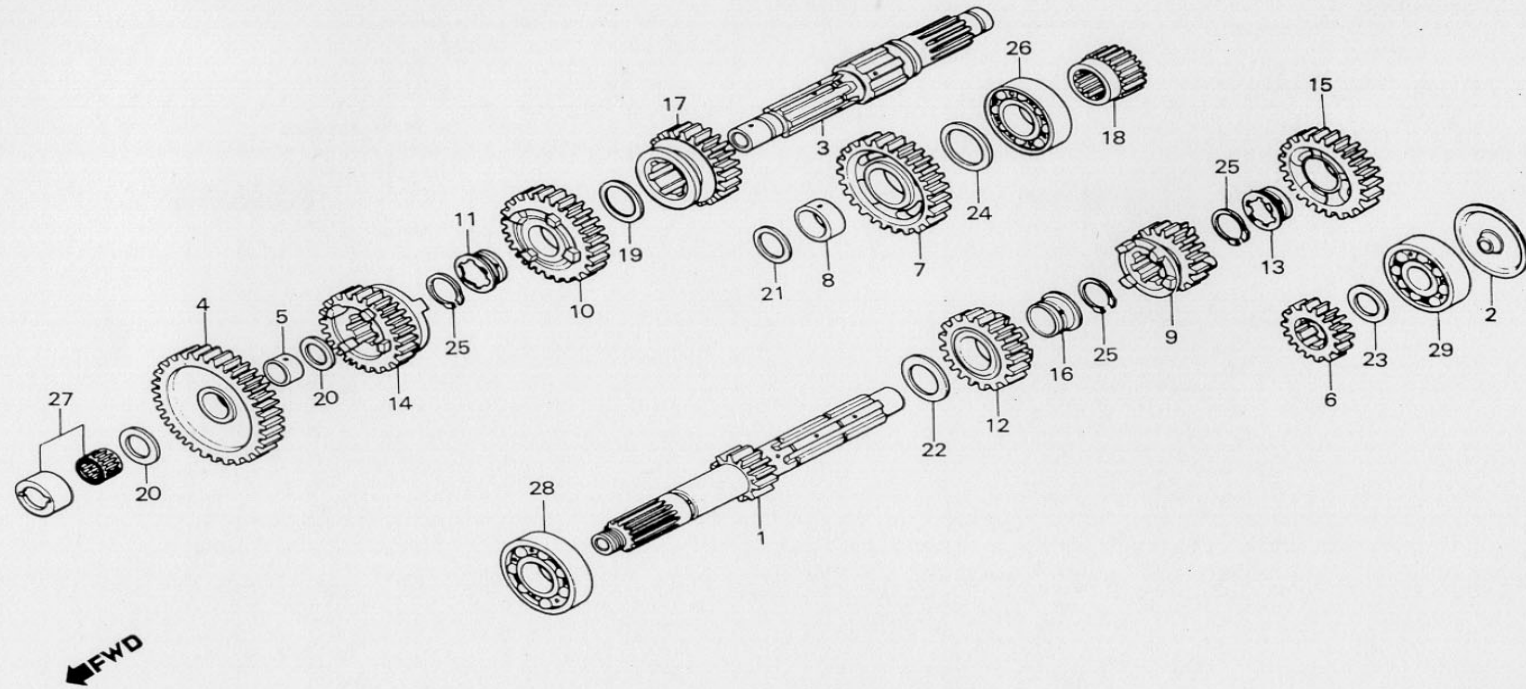
D 10

E-21

Transmission

Transmission

Getriebe



Service item	F.R.T.	Ref. No.	Part No.	Description	Reqd. No. CX650Ed	Serial No.	Area code
		20	90454-428-000	WASHER, THRUST, 20MM	2		
		21	90455-MC7-000	WASHER, THRUST, 27.5MM	1		
		22	90459-357-000	WASHER C, THRUST, 25MM	1		
		23	90461-MC7-000	WASHER A, THRUST, 20MM	1		
		24	90466-MC7-000	WASHER A, THRUST, 25MM	1		
		25	90601-300-000	CIRCLIP, 25MM	3		
		26	91010-MC7-003	BEARING, SPECIAL BALL, 6205	1		
		27	91022-426-008	BEARING, NEEDLE, 20MM (TOYO)	1		
		28	96100-63051-00	BEARING, RADIAL BALL, 6305	1		
		29	96140-62040-00	BEARING, RADIAL BALL, 6204U	1		

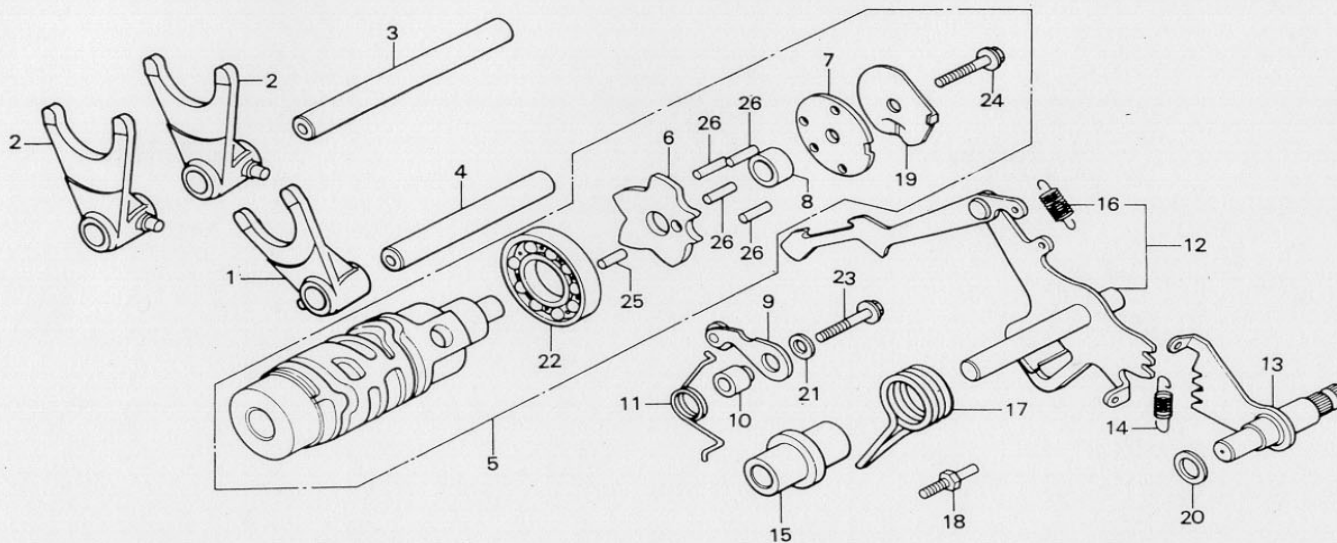
D 11

E-22

Shift drum · Shift fork

Tambour de changement de vitesse ·
Schaltwalze · Schalthebel

Schaltwalze · Schalthebel



BME2-13

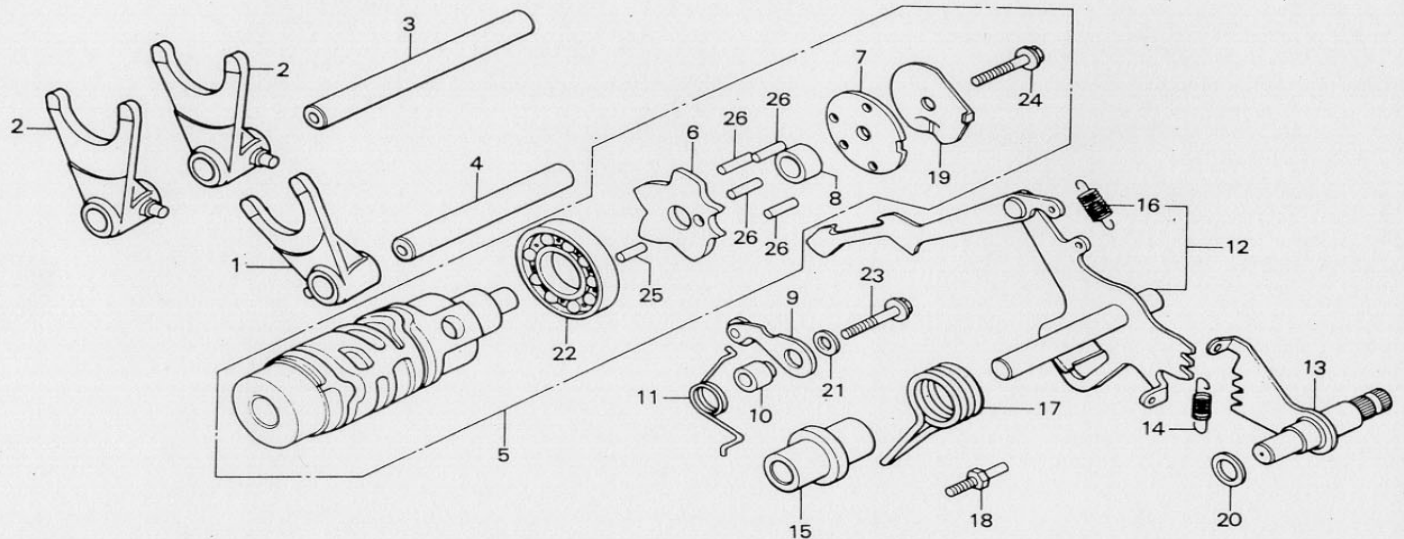
Service item	F.R.T.	Ref. No.	Part No.	Description	Reqd. No. CX650Ed	Serial No.	Area code
FORK, MAINSHAFT THIRD GEARSHIFT	*3.7	1	24216-ME2-000	FORK, MAINSHAFT THIRD GEARSHIFT	1		
(INC. RELATIVE PART) (ONE OR ALL)		2	24221-ME2-000	FORK, COUNTERSHAFT FIFTH GEARSHIFT.	2		
DRUM COMP., GEARSHIFT PLATE, DRUM CAM	*3.2	3	24241-MC7-000	SHAFT A, GEARSHIFT FORK GUIDE	1		
(INC. RELATIVE PART)		4	24242-MC7-000	SHAFT B, GEARSHIFT FORK GUIDE	1		
STOPPER COMP., GEARSHIFT DRUM (INC. RELATIVE PART)		5	24300-MC7-000	DRUM COMP., GEARSHIFT	1		
ARM COMP., GEARSHIFT (INC. RELATIVE PART)		6	24303-MC7-000	PLATE, DRUM CAM	1		
SPINDLE COMP., GEARSHIFT (INC. RELATIVE PART)		7	24304-415-000	PLATE, DRUM CENTER	1		
		8	24305-415-000	COLLAR, DRUM CENTER	1		
		9	24430-413-000	STOPPER COMP., GEARSHIFT DRUM	1		
		10	24432-413-000	COLLAR, GEARSHIFT DRUM STOPPER	1		
		11	24435-415-000	SPRING, DRUM STOPPER	1		
		12	24610-415-000	ARM COMP., GEARSHIFT	1		
		13	24620-415-000	SPINDLE COMP., GEARSHIFT	1		
		14	24623-415-000	SPRING, GEARSHIFT	1		
		15	24624-415-000	COLLAR, GEARSHIFT ARM	1		
		16	24641-216-000	SPRING, GEARSHIFT ARM	1		
		17	24651-333-000	SPRING, GEARSHIFT RETURN	1		

D 12**E-22**

Shift drum · Shift fork

Tambour de changement de vitesse ·
Schaltwalze · Schalthebel

Schaltwalze · Schalthebel



BME2-11

Service item	F.R.T.	Ref. No.	Part No.	Description	Reqd. No. CX650ED	Serial No.	Area code
		18	24652-259-000	PIN, SHIFT RETURN SPRING	1		
		19	35753-415-000	PLATE, POINT	1		
		20	90451-708-000	WASHER, 12MM	1		
		21	90486-028-000	WASHER, SPARK ADVANCER SETTING	1		
		22	91008-374-003	BEARING, BALL, 16005 (TOYO)	1		
		23	95700-06025-00	BOLT, FLANGE, 6X25	1		
		24	95725-06025-00	BOLT, FLANGE, 6X25	1		
		25	96220-40118	ROLLER, 4X11.8	1		
		26	96220-40140	ROLLER, 4X14	4		

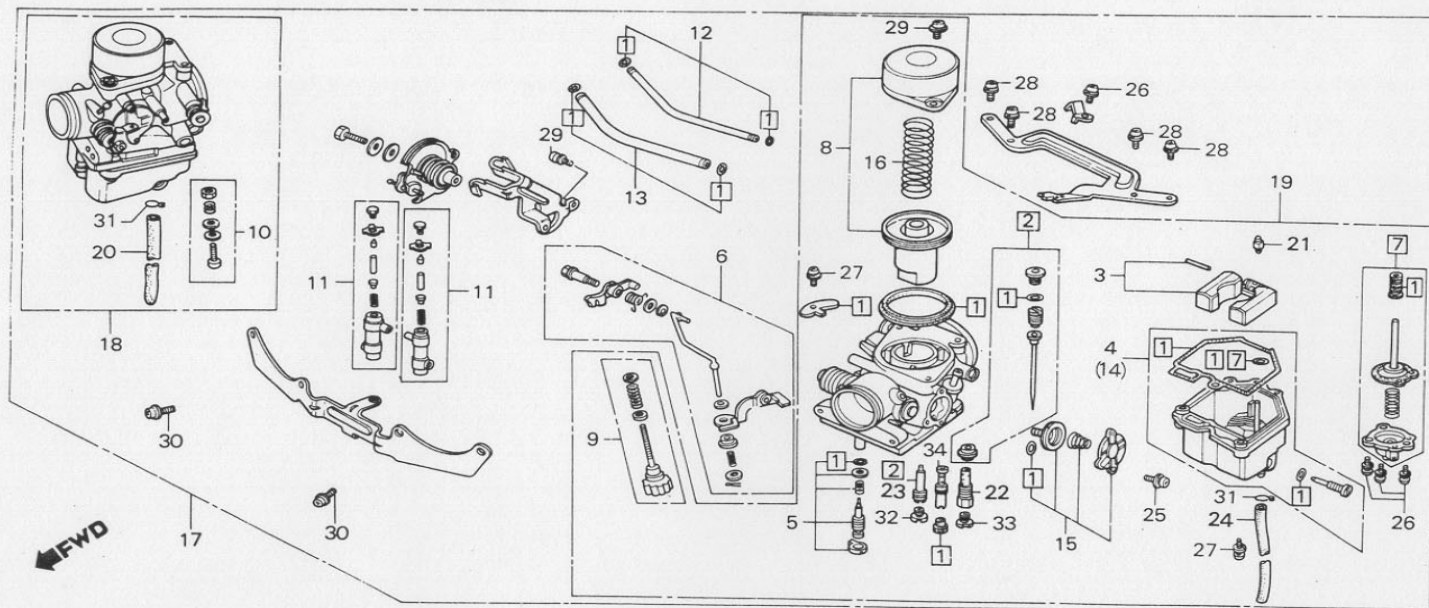
D 13

E-23

Carburetor

Carburateur

Bergaser



BME2-14

Service item	F.R.T.	Ref. No.	Part No.	Description	Reqd. No. CX650ED	Serial No.	Area code
GASKET SET (ADD 0.4 FOR EACH.)	1.2	1	16010-ME2-621	GASKET SET	2		AR,B,E,ED,F,G1,G2,IT,ND,SA,SD,SW
NEEDLE SET, JET	0.9	2	16010-ME2-671	PACKING SET	2		U
CARBURETOR ASSY., R.			16012-ME2-621	NEEDLE SET, JET	2		CM
CARBURETOR ASSY., L.							AR,B,E,ED,F,G1,G2,IT,ND,SA,SD,SW
FLOAT SET	0.7		16012-MG0-721	NEEDLE SET, JET	2		U
CARBURETOR ASSY.		3	16013-413-751	FLOAT SET	2		CM
VALVE COMP., FLOAT		4	16015-MC8-671	CHAMBER SET, FLOAT	1		CM
JET, MAIN, #118			16015-413-004	CHAMBER SET, FLOAT	1		AR,B,E,ED,F,G1,G2,IT,ND,SA,SD,SW
CHAMBER SET, FLOAT	0.5						U
DIAPHRAGM SET, PUMP	0.6						
PISTON SET, VACUUM	0.3	5	16016-402-004	SCREW SET A	2		
VALVE SET, AIR CUT	0.1	6	16019-ME2-671	ROD SET, PUMP	1		CM
(R. SIDE 0.8)			16020-ME2-621	ROD SET, PUMP	1		AR,B,E,ED,F,G1,G2,IT,ND,SA,SD,SW
		7	16021-ME2-671	DIAPHRAGM SET, PUMP	1		U
		8	16022-470-671	PISTON SET, VACUUM	2		CM
		9	16028-ME2-671	SCREW SET B	1		
		10	16029-443-851	SCREW SET C	1		
		11	16030-ME2-671	HOLDER SET, ADJUSTING	2		
		12	16034-ME2-671	JOINT SET, FUEL	1		
		13	16037-ME2-671	JOINT SET, FUEL	1		CM
		14	16045-425-671	CHAMBER SET C, FLOAT	1		
		15	16048-KB7-004	VALVE SET, AIR CUT	2		
		16	16050-ME2-671	SPRING, VACUUM PISTON	2		
		17	16100-ME2-612	CARBURETOR ASSY.	1		G1
			16100-ME2-623	CARBURETOR ASSY.	1		AR,B,E,ED,F,IT,ND,SA,SD,SW
			16100-ME2-713	CARBURETOR ASSY.	1		G2
			16100-MG0-721	CARBURETOR ASSY.	1		CM

1982.10.01

E

D13

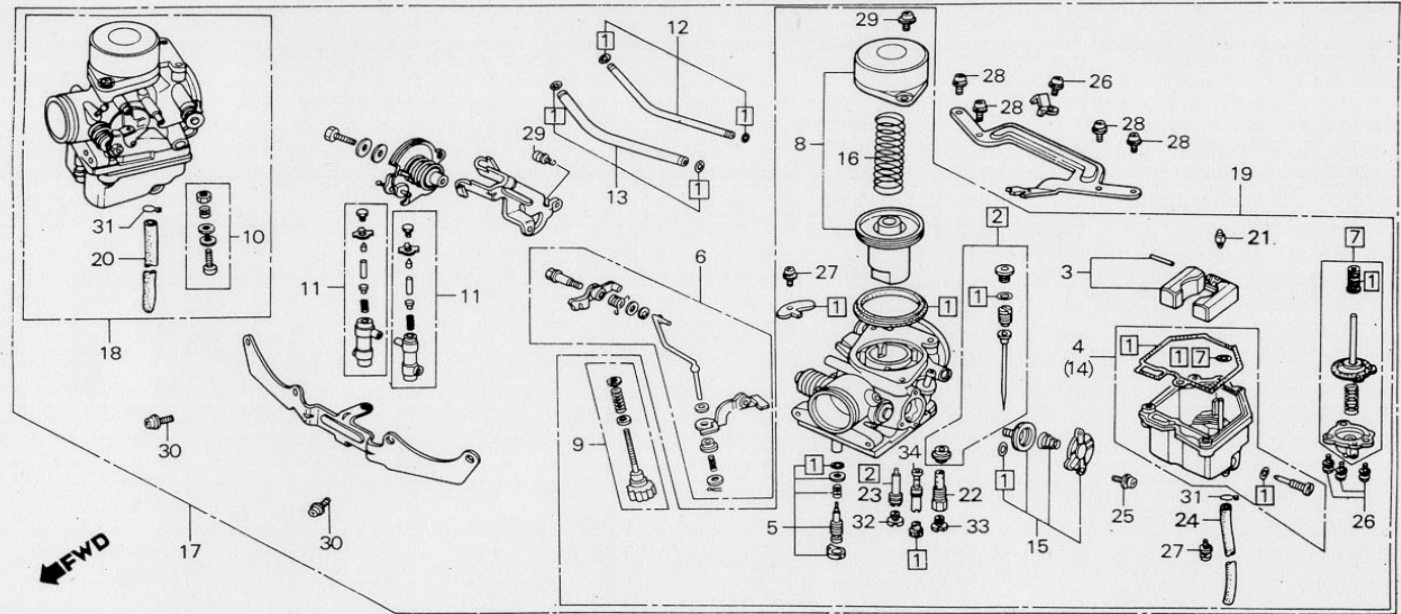
D 14

E-23

Carburetor

Carburateur

Bergaser



BME2-14

Service item	F.R.T.	Ref. No.	Part No.	Description	Reqd. No. CX650ED	Serial No.	Area code
		18	16101-ME2-611	CARBURETOR ASSY., R.	1		G1
			16101-ME2-621	CARBURETOR ASSY., R.	1		AR,B,E,ED,F,IT,ND,SA,SD,SW,U
			16101-ME2-711	CARBURETOR ASSY., R.	1		G2
			16101-MG0-721	CARBURETOR ASSY., R.	1		CM
		19	16102-ME2-611	CARBURETOR ASSY., L.	1		G1
			16102-ME2-621	CARBURETOR ASSY., L.	1		AR,B,E,ED,F,IT,ND,SA,SD,SW,U
			16102-ME2-711	CARBURETOR ASSY., L.	1		G2
			16102-MG0-721	CARBURETOR ASSY., L.	1		CM
		20	16144-MA1-671	TUBE, OVER FLOW	1		
		21	16155-413-751	VALVE COMP., FLOAT	2		G2
		22	16165-449-771	HOLDER, NEEDLE JET	2		
		23	16166-ME2-671	NOZZLE, MAIN	2		
		24	16199-460-671	TUBE, OVERFLOW	1		
		25	93892-04010-00	SCREW-WASHER, 4X10	4		
		26	93892-04012-00	SCREW-WASHER, 4X12	1		AR,B,E,ED,F,G1,G2,IT,ND,SA,SD,SW,U
					4		CM
		27	93892-04016-00	SCREW-WASHER, 4X16	8		
		28	93892-05012-00	SCREW-WASHER, 5X12	4		
		29	93892-05016-00	SCREW-WASHER, 5X16	5		
		30	93892-06014-00	SCREW-WASHER, 6X14	4		
		31	95002-02650	CLIP B6.5, TUBE	2		
		32	99101-393-0720	JET, PRIMARY MAIN, #72	2		AR,B,E,ED,F,G1,G2,IT,ND,SA,SD,SW,U
			99101-393-0780	JET, MAIN, #78	2		CM
		33	99102-393-1150	JET, SECONDARY MAIN, #115	2		G2

1982.10.01

E

D14

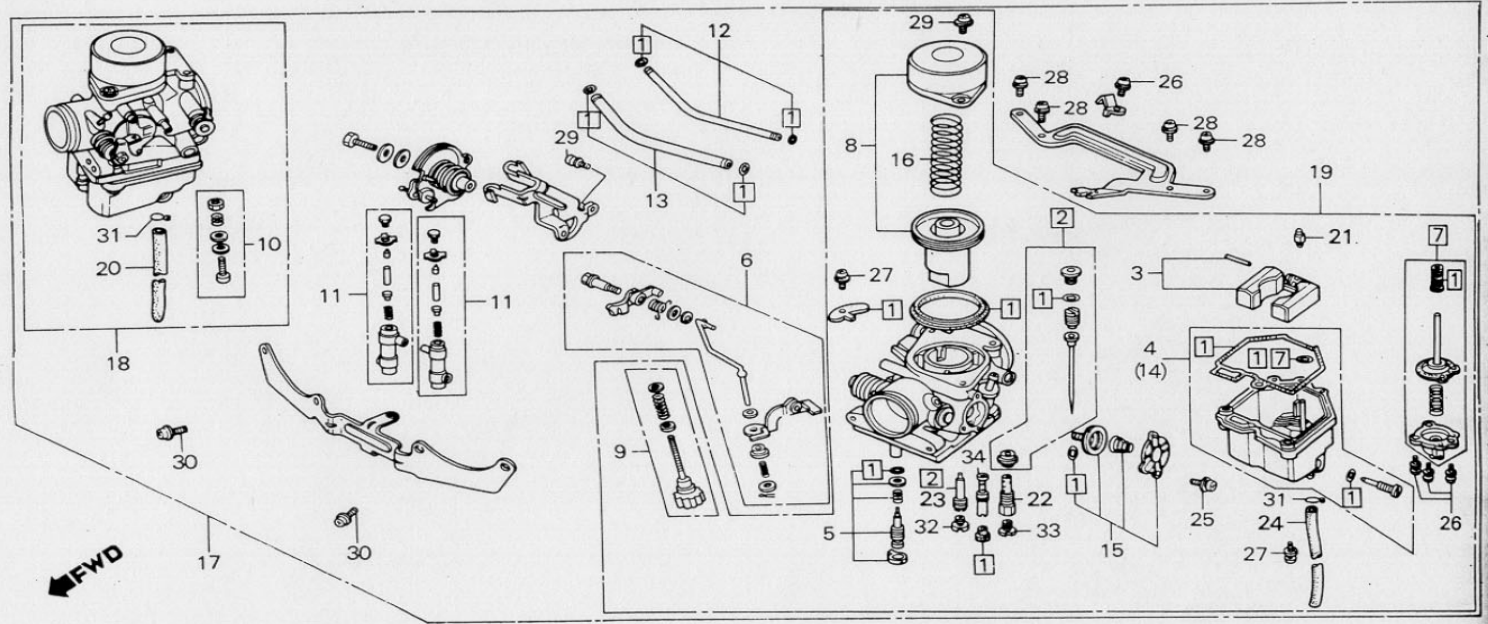
D 15

E-23

Carburetor

Carburateur

Bergaser



ENE2

Service item	F.R.T.	Ref. No.	Part No.	Description	Reqd. No. CX650Ed	Serial No.	Area code
			99102-393-1180	JET, MAIN, #118	2		AR, B, CM, E, ED, F, G1, IT, ND, SA, U
		34	99103-MA1-0450	JET, SLOW, #45	2		



EOP-1

Gasket Ket A

Trousse de joint A

Dichtung Satz A

Service item	F.R.T.	Ref. No.	Part No.	Description	Reqd. No. CX650Ed	Serial No.	Area code
			061A1-ME2-000	GASKET KIT A (COMPONENT PARTS)	1		
		1	12209-300-003	SEAL, VALVE STEM	8		
		2	12230-449-700	GASKET, CAMSHAFT HOLDER	1		
		3	12251-ME2-000	GASKET, CYLINDER HEAD	2		
		4	12328-415-000	GASKET, HEAD COVER	2		
		5	12329-415-000	GASKET, PLUG HOLE	2		
		6	18291-286-000	GASKET, EX. PIPE	2		
		7	91302-044-013	O-RING, 6.9X1.5	2		
		8	91302-371-003	O-RING, 21.9X2.3	4		
		9	91302-415-003	SEAL, WATER PIPE	1		
		10	91302-657-000	O-RING, 53.8X3.1	1		
		11	91307-611-000	O-RING, 13.5X1.4	2		
		12	91325-567-005	O-RING, 40X2.4	2		
		13	94608-50000	O-RING, 23X2.8	2		



EOP-2

Gasket Ket B

Trousse de joint B

Dichtung Satz B

Service item	F.R.T.	Ref. No.	Part No.	Description	Reqd. No. CX650Ed	Serial No.	Area code
			061B1-ME2-000	GASKET KIT B (COMPONENT PARTS)	1		
		1	11128-ME2-000	GASKET, OIL PAN	1		
		2	11372-449-700	GASKET, CLUTCH COVER	1		
		3	11391-ME2-000	GASKET, TRANSMISSION COVER	1		
		4	11394-449-701	GASKET, RR. COVER	1		
		5	11396-415-000	GASKET, WATER PUMP BASE	1		
		6	16997-357-003	O-RING, 11.8X2.4	2		
		7	30373-MC7-000	GASKET, PULSER COVER	1		
		8	91301-250-000	O-RING, 22X3.0	1		
		9	91301-268-020	O-RING, 14MM	4		
		10	91302-001-000	O-RING, 27.5MM	2		
		11	91302-377-000	O-RING, 15X2.5	2		
		12	91303-001-000	O-RING, 8MM	1		
		13	91311-415-000	O-RING, 81X4.5	1		
		14	91363-MC7-004	O-RING, 15.3X3.5	1		
		15	94608-50000	O-RING, 23X2.8	2		

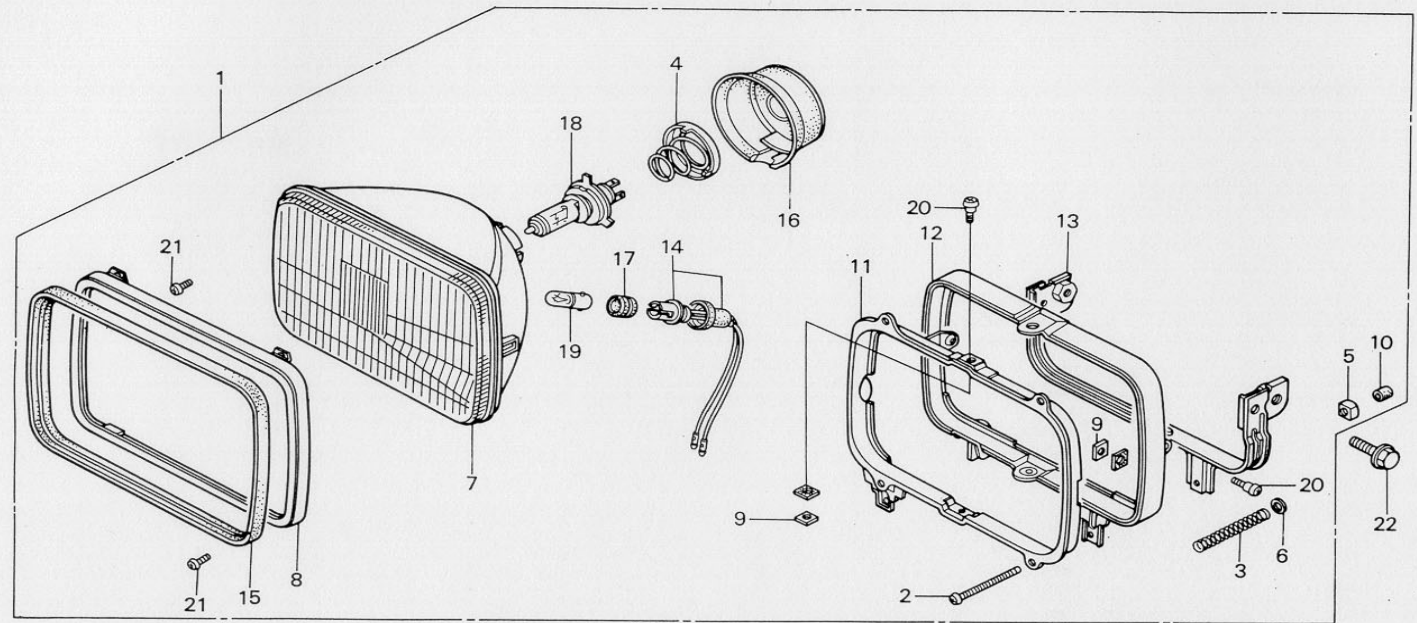
F 2

F-1

Headlight

Phare

Scheinwerfer



BMC5-1

Service item	F.R.T.	Ref. No.	Part No.	Description	Reqd. No. CX650ED	Serial No.	Area code
HEADLIGHT ASSY.	0.2	1	33100-MC5-003	HEADLIGHT ASSY.	1		U
SOCKET ASSY., POSITION LIGHT			33100-MC5-601	HEADLIGHT ASSY.	1		E
HEADLIGHT UNIT (INC. RELATIVE PART)	0.3		33100-MC5-611	HEADLIGHT ASSY.	1		AR,B,ED,G1,G2,IT,ND,SA,SD,SW
BRACKET, HEADLIGHT			33100-MC5-621	HEADLIGHT ASSY.	1		F
RING, MOUNTING	0.4	2	33100-MG5-671	HEADLIGHT ASSY. (12V 60/55W)	1		CM
RING B, MOUNTING			33103-MC5-003	SCREW, BEAM ADJUSTING	2		
BULB, HEADLIGHT	0.1	3	33107-300-003	SPRING, HEADLIGHT BEAM ADJUSTING	2		
H4 BULB							
		4	33114-MC5-003	COVER, BULB	1		
		5	33118-438-841	NUT, BEAM ADJUSTING	2		
		6	33119-371-003	WASHER, BEAM ADJUSTING	2		
		7	33120-MC5-003	HEADLIGHT UNIT	1		U
			33120-MC5-601	HEADLIGHT UNIT	1		E
			33120-MC5-611	HEADLIGHT UNIT	1		AR,B,ED,F,G1,G2,IT,ND,SA,SD,SW
			33120-MG5-671	HEADLIGHT UNIT	1		CM
		8	33121-MC5-003	RING, RETAINING	1		
		9	33128-438-841	NUT, UNIT HOLDER	4		
		10	33136-426-830	COVER, SCREW	2		
		11	33153-MC5-003	RING, MOUNTING	1		
		12	33154-MC5-003	RING B, MOUNTING	1		
		13	33156-MC5-003	BRACKET, HEADLIGHT	1		
		14	33170-MC5-611	SOCKET ASSY., POSITION LIGHT	1		AR,B,E,ED,F,G1,G2,IT,ND,SA,SD,SW
		15	33171-MC5-000	RUBBER, HEADLIGHT SHIELD	1		U
		16	33180-MC5-003	COVER, RUBBER	1		

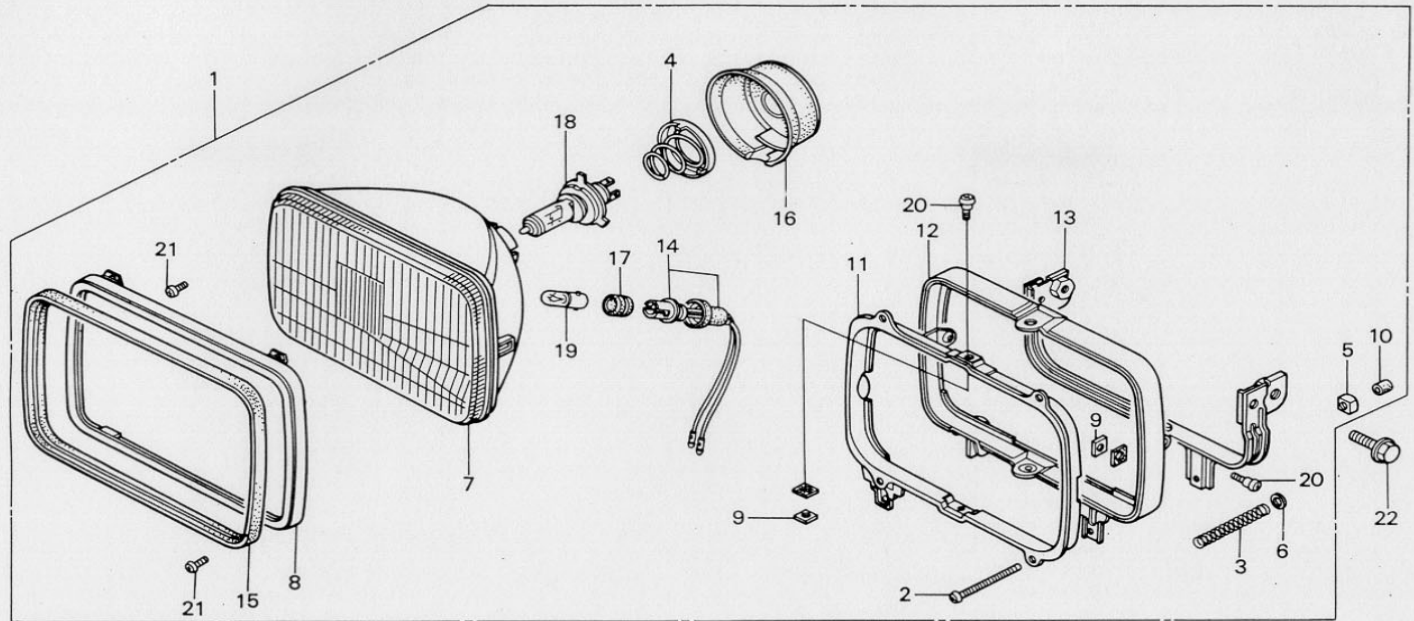
F 3

F-1

Headlight

Phare

Scheinwerfer



BMC5-3

Service item	F.R.T.	Ref. No.	Part No.	Description	Reqd. No. CX650ED	Serial No.	Area code
		17	33905-MC5-601	RUBBER, JOINT	1		AR,B,E,ED,F,G1,G2,IT,ND,SA,SD,SW U
		18	34901-MC7-601	BULB, HEADLIGHT (H4 JA12V60/55W)	1		AR,B,CM,E,ED,G1,G2,IT,ND,SA,SD,SW U
			34901-371-621	H4 BULB(12342/99) MFD. BY PHILIPS (LOCAL PROCUREMENT PART)	1		F
		19	34903-071-003	BULB, MARKER LIGHT (12V 3.4W) (STANLEY)	1		U
			34903-388-611	BULB, POSITION (12V 4W) (LOCAL PROCUREMENT PART)	1		AR,B,E,ED,F,G1,G2,IT,ND,SA,SD,SW
		20	90150-MC5-003	SCREW, PAN, 5X9	2		
		21	93500-03008-1A	SCREW, PAN, 3X8	4		
		22	95700-10020-07	BOLT, FLANGE, 10X20	2		

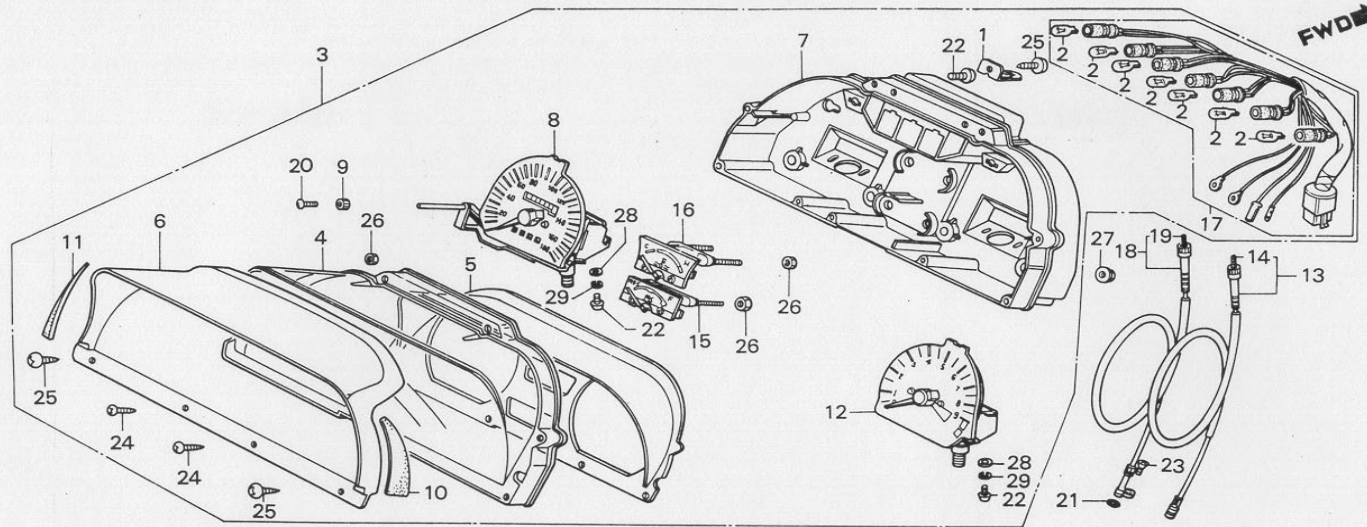
F 4

F-2

Meter

Phare

Scheinwerfer



BMC5-4A

Service item	F.R.T.	Ref. No.	Part No.	Description	Reqd. No. CX650Ed	Serial No.	Area code
METER ASSY., COMBINATION	0.3	1	32445-MC5-008	HOLDER	1		
GLASS	0.2	2	34908-GA7-701	BULB, WEDGE BASE (12V3.4W)	7		
HOOD, METER		3	37100-MG0-600	METER ASSY., COMBINATION	1		E
COVER, METER UPPER		3	37100-MG0-610	METER ASSY., COMBINATION	1		AR,B,ED,F,G1,G2,IT,ND,SA,SD,SW
CABLE ASSY., SPEEDOMETER		3	37100-MG0-710	METER ASSY., COMBINATION	1		U
CASE, METER LOWER	0.5	3	37100-MG0-720	METER ASSY., COMBINATION	1		CM
METER COMP., FUEL		4	37102-MC5-008	GLASS	1		
METER COMP., TEMPERATURE		5	37109-MC5-000	HOOD, METER	1		
SPEEDOMETER ASSY.	0.4						
TACHOMETER ASSY.		6	37110-MC5-008	COVER, METER UPPER	1		
CABLE ASSY., TACHOMETER		7	37120-MC5-000	CASE, METER LOWER	1		
RUBBER ASSY., SOCKET		8	37200-MC5-601	SPEEDOMETER ASSY.	1		E
CABLE, SPEEDOMETER INNER	0.1	8	37200-MG0-610	SPEEDOMETER ASSY.	1		AR,B,ED,F,G1,G2,IT,ND,SA,SD,SW,U
		8	37200-MG0-720	SPEEDOMETER ASSY.	1		CM
		9	37204-MC7-611	KNOB, TRIP METER	1		
		10	37215-MC5-000	SEAL, L. FAIRING	1		
		11	37216-MC5-000	SEAL, R. FAIRING	1		
		12	37250-MG0-600	TACHOMETER ASSY.	1		AR,B,E,ED,F,G1,G2,IT,ND,SA,SD,SW
		12	37250-MG0-710	TACHOMETER ASSY.	1		CM,U
		13	37260-449-840	CABLE ASSY., TACHOMETER	1		
		14	37261-300-000	CABLE, TACHOMETER INNER	1		
		15	37300-MG0-000	METER COMP., FUEL	1		
		16	37450-MG0-000	METER COMP., TEMPERATURE	1		

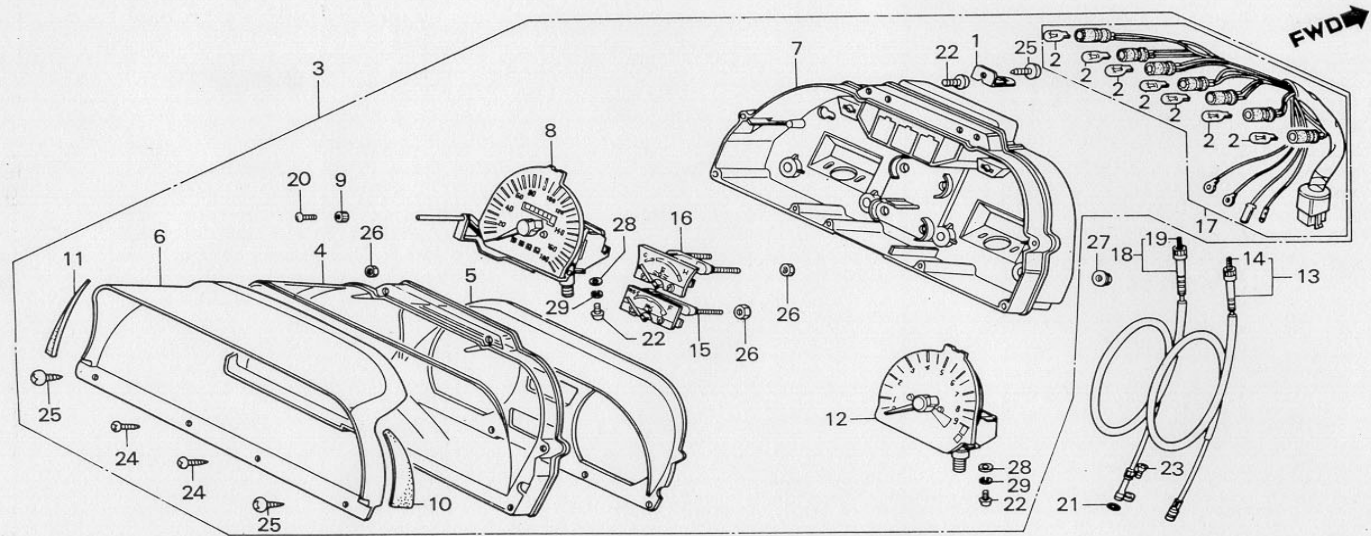
F 5

F-2

Meter

Phare

Scheinwerfer



BMC5-4A

Service item	F.R.T.	Ref. No.	Part No.	Description	Reqd. No. CX650Ed	Serial No.	Area code
		17	37619-MC5-000	RUBBER ASSY., SOCKET	1		
		18	44830-MC5-000	CABLE ASSY., SPEEDOMETER	1		
		19	44831-473-000	CABLE, SPEEDOMETER INNER	1		
		20	90600-MC7-611	SCREW, FLAT, 2.3X8	1		
		21	91301-027-000	O-RING, 6.8X1.9	1		
		22	93500-04016-1A	SCREW, PAN, 4X16	8		
		23	93700-05020-0G	SCREW, OVAL, 5X20	1		
		24	93903-24320	SCREW, TAPPING, 4X12	2		
		25	93903-34420	SCREW, TAPPING, 4X16	6		
		26	94001-04000	NUT, HEX., 4MM	8		
		27	94050-06000	NUT, FLANGE, 6MM	4		
		28	94101-04700	WASHER, PLAIN, 4MM	4		
		29	94111-04700	WASHER, SPRING, 4MM	4		

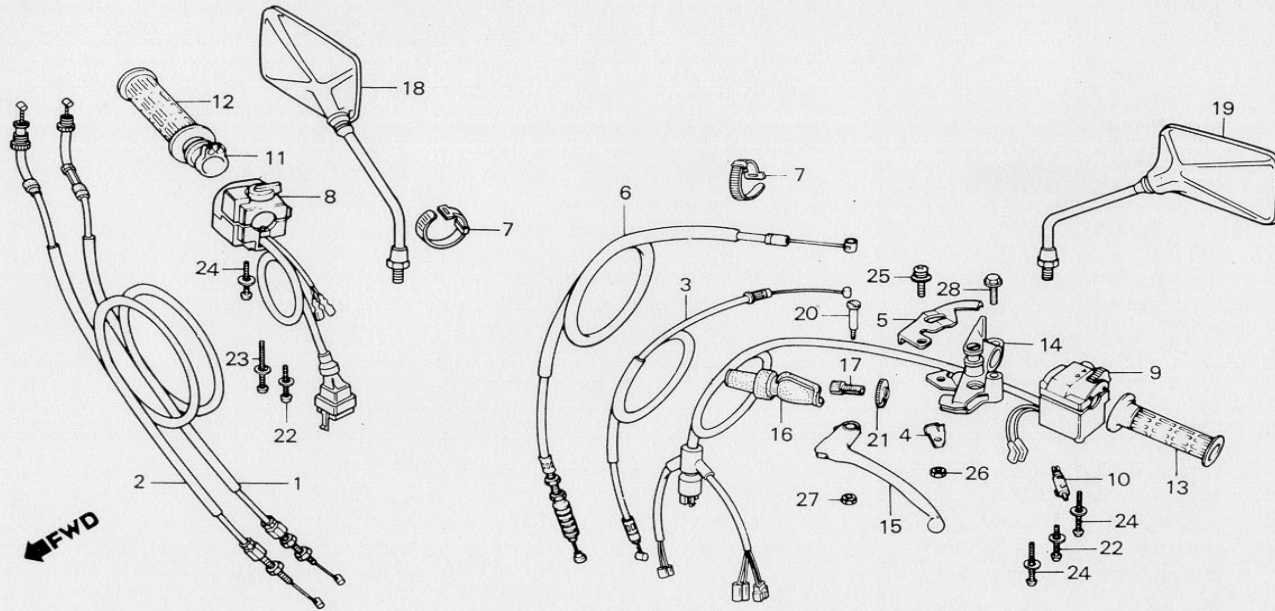
F 6

F-3

Handle lever · Switch · Cable

Levier de poignée · Interrupteur · Câble

Lenkstangenhabel · Schalter · Kabel



BMC5-5A

Service item	F.R.T.	Ref. No.	Part No.	Description	Reqd. No. CX650ED	Serial No.	Area code
CABLE COMP. THROTTLE (ONE OR ALL)	0.5	1	17910-MG0-000	CABLE COMP. A, THROTTLE	1		
		2	17920-MG0-000	CABLE COMP. B, THROTTLE	1		
· SWITCH ASSY., WINKER		3	17950-MG0-000	CABLE COMP., CHOKE	1		
CABLE COMP., CHOKE	0.3	4	17963-422-000	HOLDER, CHOKE CABLE	1		
· CABLE COMP., CLUTCH		5	17964-MA2-000	COVER, CHOKE ARM	1		
· PIPE, THROTTLE GRIP		6	22870-MG0-000	CABLE COMP., CLUTCH	1		
· SWITCH ASSY., STARTER KILL	0.6	7	32161-404-000	BAND B1, WIRE	2		
· SWITCH COMP., FR. LEVER	0.1	8	35130-MG0-720	SWITCH ASSY., STARTER KILL	1		CM
· GRIP, R. HANDLE			35150-MC5-000	SWITCH ASSY., STARTER KILL	1		AR, B, E, ED, F, G1, G2, IT, ND, SA, SD, SW, U
· GRIP, L. HANDLE							
· LEVER, L. STEERING HANDLE							
· BRACKET ASSY., HANDLE LEVER	0.4	9	35200-MG0-000	SWITCH ASSY., WINKER	1		AR, B, E, ED, F, G1, G2, ND, SA, SD, SW, U
			35200-MG0-630	SWITCH ASSY., WINKER	1		IT
			35200-MG0-720	SWITCH ASSY., WINKER	1		CM
		10	35330-413-003	SWITCH COMP., FR. LEVER	1		
		11	53141-422-000	PIPE, THROTTLE GRIP	1		
		12	53165-422-000	GRIP, R. HANDLE	1		
		13	53166-422-000	GRIP, L. HANDLE	1		
		14	53170-MG0-000	BRACKET ASSY., HANDLE LEVER	1		
		15	53178-MA6-000	LEVER, L. STEERING HANDLE	1		
		16	53180-425-010	BOOT, HANDLE LEVER	1		
		17	53192-425-000	BOLT, CABLE ADJUSTING	1		
		18	88110-MC5-004	MIRROR, R. BACK	1		AR, CM, ED, G1, G2, IT, ND, SA, SD, SW

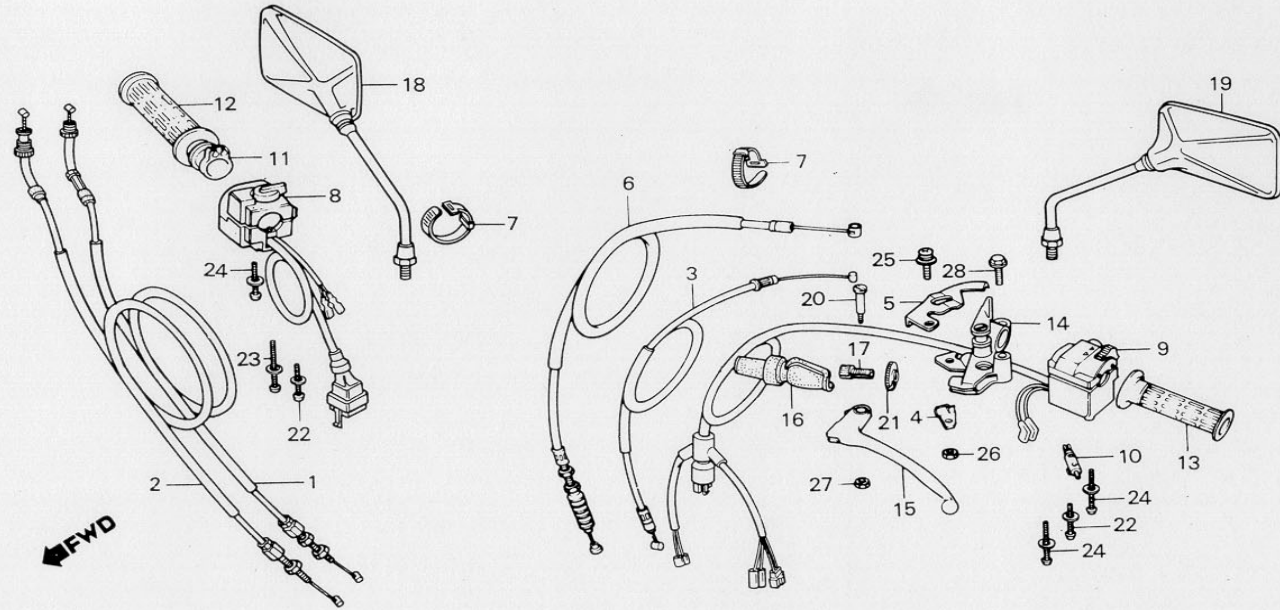
F 7

F-3

Handle lever · Switch · Cable

Levier de poignée · Interrupteur · Câble

Lenkstangenhabel · Schalter · Kabel



BMC5-5A

Service item	F.R.T.	Ref. No.	Part No.	Description	Reqd. No. CX650Ed	Serial No.	Area code
			88110-MC5-602	MIRROR, R. BACK	1		B,E,F
			88110-MC5-711	MIRROR, R. BACK	1		U
	19		88120-MC5-004	MIRROR, L. BACK	1		AR,CM,ED,G1,G2,IT,ND,SA,SD,SW
			88120-MC5-602	MIRROR, L. BACK	1		B,E,F
			88120-MC5-711	MIRROR, L. BACK	1		U
		20	90113-438-000	BOLT, L. STEERING HANDLE LEVER PIVOT	1		
		21	90321-422-000	NUT, FIXING	1		
		22	93891-05030-07	SCREW-WASHER, 5X30	2		
		23	93891-05040-07	SCREW-WASHER, 5X40	1		
		24	93891-05045-07	SCREW-WASHER, 5X45	3		
		25	93893-05018-07	SCREW-WASHER, 5X18	1		
		26	94001-05070-05	NUT, HEX., 5MM	1		
		27	94002-06000-05	NUT, HEX., 6MM	1		
		28	96000-06025-07	BOLT, FLANGE, 6X25	1		

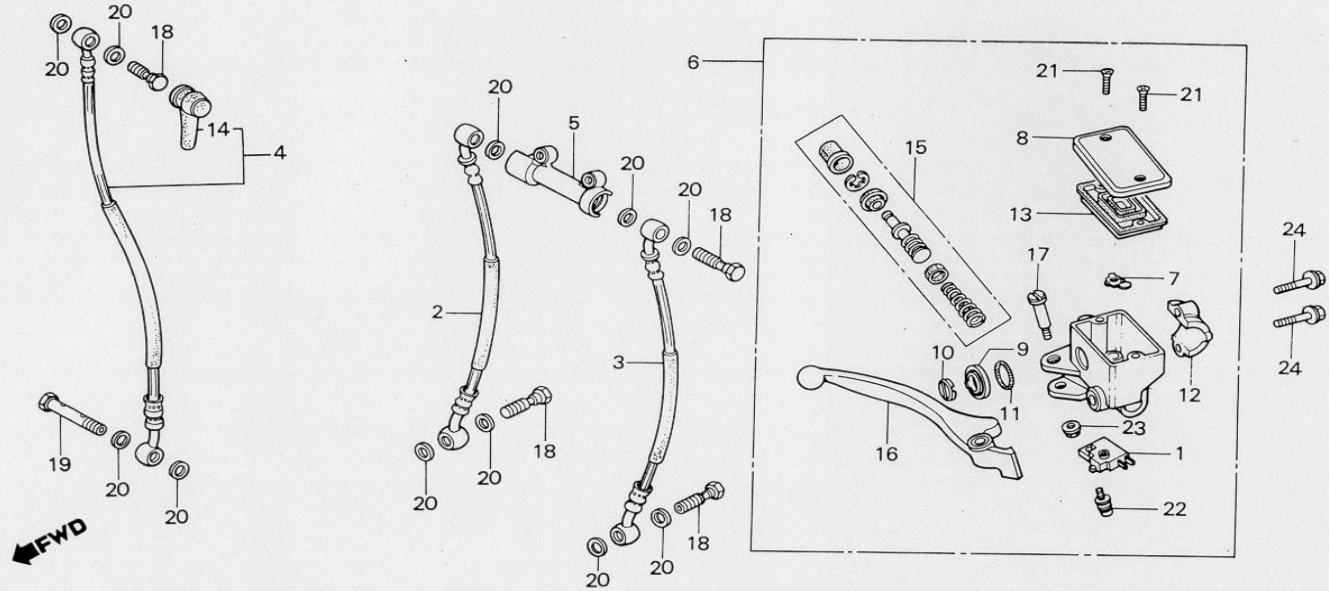
F 8

F-4

Front brake master cylinder

Maitre cylindre de frein avant

Vorderredbremse Hauptzylinder



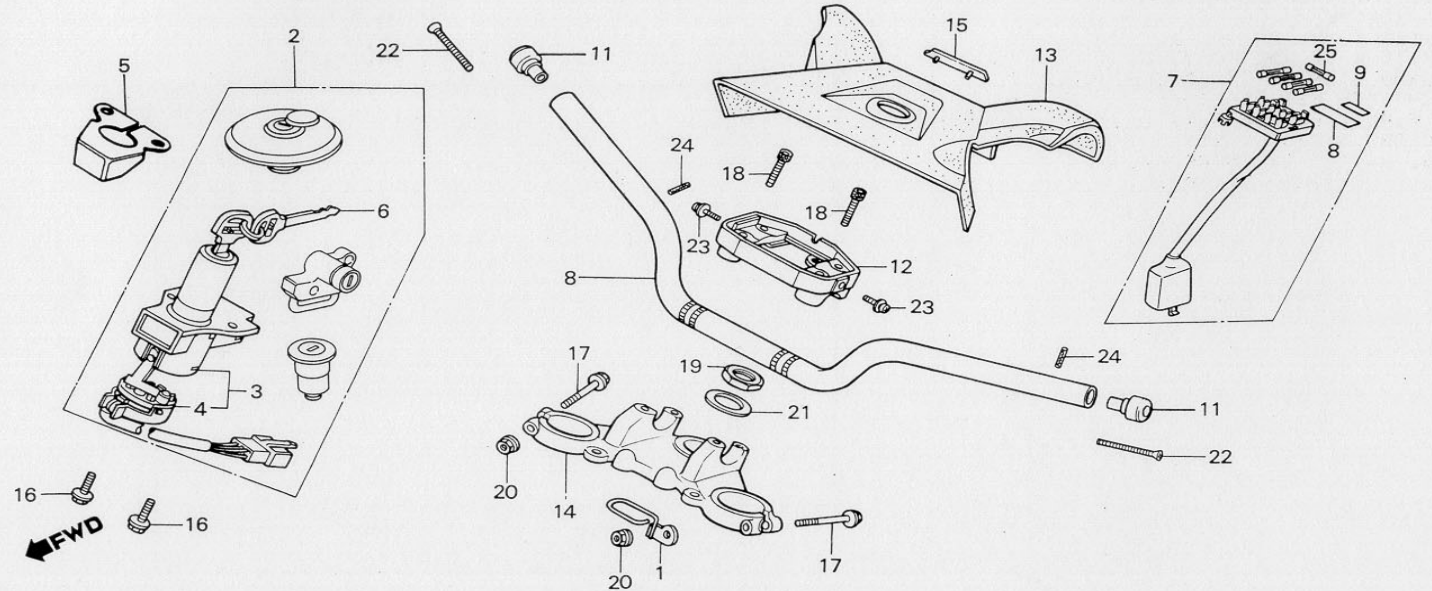
BMC5-6B

Service item	F.R.T.	Ref. No.	Part No.	Description	Reqd. No. CX650ED	Serial No.	Area code
SWITCH ASSY., FR. STOP	0.1	1	35340-MA5-671	SWITCH ASSY., FR. STOP	1		
DIAPHRAGM		2	45124-MC5-003	HOSE A, R. FR. BRAKE	1		
LEVER COMP., R. HANDLE		3	45125-MC5-003	HOSE A, L. FR. BRAKE	1		
HOSE A, R. FR. BRAKE	0.3	4	45126-MC5-003	HOSE ASSY., FR. BRAKE	1		
(WHEN SERVICING COMP., UNIT, F.R.T. IS 0.4.)		5	45127-MA1-003	JOINT, TWO WAY (NISSHIN)	1		
JOINT, TWO WAY		6	45500-MG0-611	CYLINDER ASSY., FR. MASTER	1		
CYLINDER ASSY., FR. MASTER	0.4	7	45512-MA6-006	PROTECTOR	1		
CYLINDER SET, MASTER		8	45513-MA6-621	CAP	1		
		9	45514-MA6-006	PLATE	1		
		10	45515-MA6-006	GAUGE, OIL LEVEL	1		
		11	45516-MA6-006	O-RING	1		
		12	45517-MA5-671	HOLDER, MASTER CYLINDER	1		
		13	45520-MA5-671	DIAPHRAGM	1		
		14	45522-422-000	BOOT, MASTER CYLINDER	1		
		15	45530-MA5-671	CYLINDER SET, MASTER	1		
		16	53175-MA5-006	LEVER COMP., R. HANDLE	1		
		17	90114-MA5-671	BOLT, R. STEERING HANDLE LEVER PIVOT	1		
		18	90145-460-840	BOLT, OIL	4		
		19	90147-460-840	BOLT, OIL	1		
		20	90545-300-000	WASHER, OIL BOLT	11		
		21	93600-04012-1G	SCREW, FLAT, 4X12	2		
		22	93893-04012-18	SCREW-WASHER, 4X12	1		
		23	94050-06000	NUT, FLANGE, 6MM	1		
		24	96000-06025-07	BOLT, FLANGE, 6X25	2		



F-5

Handle pipe · Top bridge
 Guidon · Haut de fourche
 Lenkrohr · Obere brücke



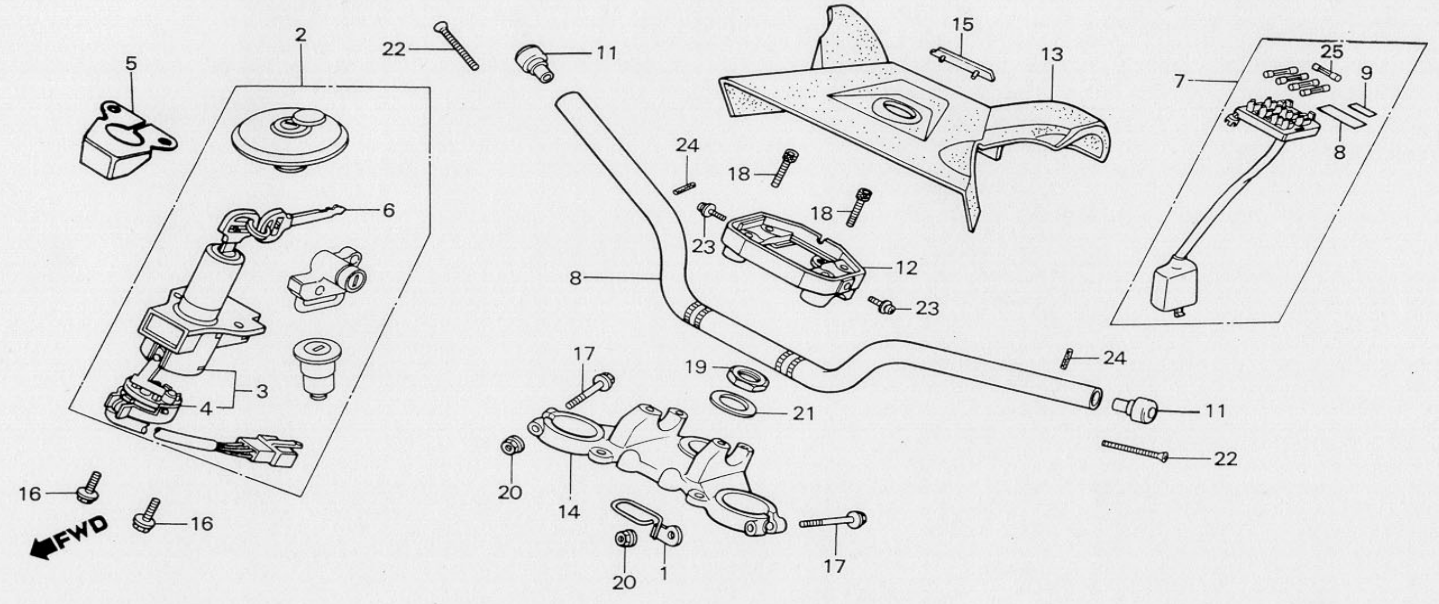
BMC5-7B

Service item	F.R.T.	Ref. No.	Part No.	Description	Reqd. No. CX650Ed	Serial No.	Area code
KEY SET	0.5	1	22875-MC7-000	CLIP, CLUTCH CABLE	1		
BRIDGE, FORK TOP		2	35010-MG0-000	KEY SET	1		AR,B,CM,E,ED,F,IT,SA,SW,U
SWITCH ASSY., COMBINATION & LOCK	0.4		35010-MG0-610	KEY SET	1		G1,G2,ND,SD
BASE COMP., CONTACT FUSE & LABEL ASSY.	0.3	3	35100-MC5-007	SWITCH ASSY., COMBINATION & LOCK	1		AR,B,CM,E,ED,F,IT,SA,SW,U
HOLDER, HANDLE UPPER			35100-MC5-610	SWITCH ASSY., COMBINATION & LOCK	1		G1,G2,ND,SD
PIPE, STEERING HANDLE	0.6	4	35101-MC5-000	BASE COMP., CONTACT	1		AR,B,CM,E,ED,F,IT,SA,SW,U
COVER, HANDLE	0.1		35101-MC5-610	BASE COMP., CONTACT	1		G1,G2,ND,SD
		5	35106-MA1-610	COVER, COMBINATION SWITCH	1		G1,G2,ND,SD
		6	35121-443-811	KEY, BLANK (NO.1)	(1)		AR,B,CM,E,ED,F,IT,SA,SW,U
			35121-443-812	KEY, BLANK (NEIMAN)	(1)		G1,G2,ND,SD
			35122-443-811	KEY, BLANK (NO.2)	(1)		AR,B,CM,E,ED,F,IT,SA,SW,U
			35122-443-812	KEY NO2, BLANK	(1)		G1,G2,ND,SD
		7	38201-MG0-000	FUSE & LABEL ASSY.	1		AR,B,CM,E,ED,G1,G2,IT,ND,SA,SD,SW,U
			38201-MG0-620	FUSE & LABEL ASSY. (FRENCH)	1		F
		8	38215-MG5-670	LABEL, FUSE	1		AR,B,CM,E,ED,G1,G2,IT,ND,SA,SD,SW,U
			38215-MG5-720	LABEL, FUSE (FRENCH)	1		F
		9	38216-MC5-621	LABEL, FUSE	1		F
		10	53100-MG0-000	PIPE, STEERING HANDLE	1		
		11	53101-MG0-000	WEIGHT, HANDLE	2		
		12	53131-MC5-000	HOLDER, HANDLE UPPER	1		
		13	53205-MC5-000	COVER, HANDLE	1		
		14	53230-MG0-000	BRIDGE, FORK TOP	1		AR,B,CM,E,ED,F,IT,SA,SW,U
			53230-MG0-610	BRIDGE, FORK TOP	1		G1,G2,ND,SD

F 10

F-5

Handle pipe · Top bridge
 Guidon · Haut de fourche
 Lenkrohr · Obere brücke



BMC5-7B

Service item	F.R.T.	Ref. No.	Part No.	Description	Reqd. No. CX650ED	Serial No.	Area code
		15	87106-MC7-300	EMBLEM, HANDLE COVER	1		
		16	90105-KB7-000	BOLT, FLANGE, 8X19	2		AR,B,CM,E,ED,F,IT,SA,SW,U
			90105-MC7-610	BOLT, COMBINATION SWITCH SETTING	2		G1,G2,ND,SD
		17	90155-369-000	BOLT, FLANGE, 7X54	2		
		18	90185-371-000	BOLT, HEX. SOCKET, 8X32	4		
		19	90304-KA2-000	NUT, STEERING STEM	1		
		20	90355-369-000	NUT, FLANGE, 7MM	2		
		21	90503-ME1-670	WASHER, STEERING STEM	1		
		22	93700-06050-0G	SCREW, DVAL, 6X50	2		
		23	93891-05012-07	SCREW-WASHER, 5X12	2		
		24	94305-40222	PIN, SPRING, 4X22	2		
		25	98200-21500	FUSE B (15A)	5		

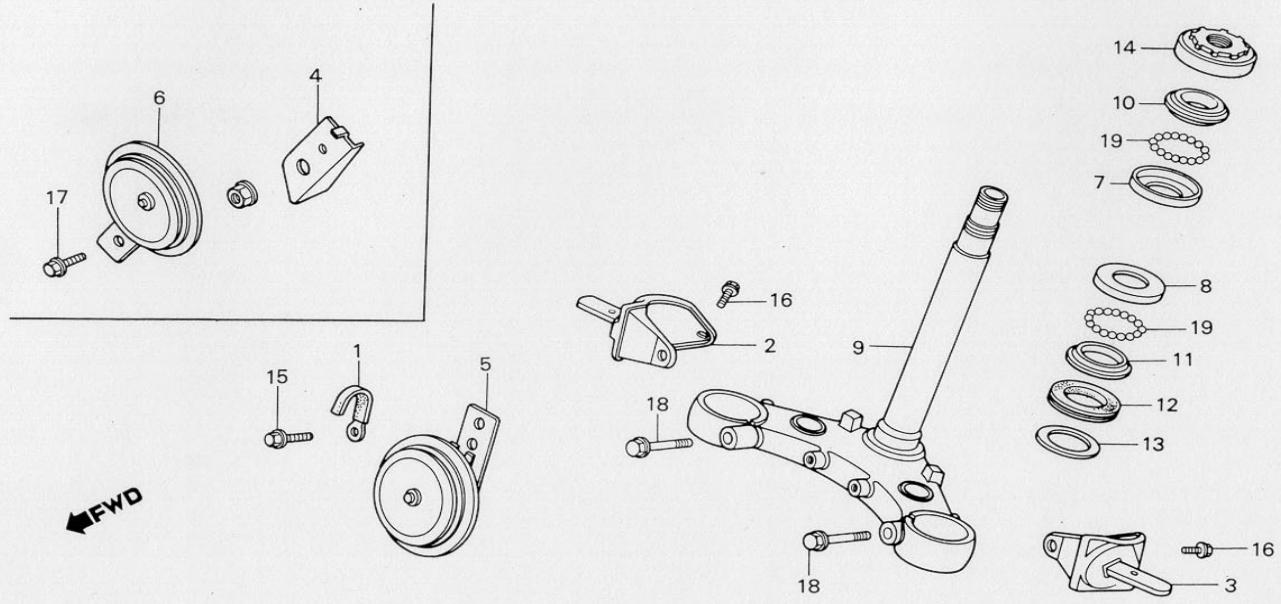
F 11

F-6

Steering stem

Tige de direction

Steuerkopfschaft



BMC5-8

Service item	F.R.T.	Ref. No.	Part No.	Description	Reqd. No. CX650ED	Serial No.	Area code
HORN COMP.	0.1	1	32901-MA1-000	CLIP, SUB CORD	1		
RACE, STEERING BALL (ONE OR ALL)	1.0	2	33410-MC5-000	STAY, R. WINKER	1		
RACE, STEERING BOTTOM CONE			33410-MC5-680	STAY, R. WINKER	1		AR,B,CM,E,F,G1,G2,IT,SA,SD,SW,U
STEM COMP., STEERING	1.1	3	33610-MC5-000	STAY, L. WINKER	1		ED,ND
RACE, STEERING TOP CONE	0.5	4	33610-MC5-680	STAY, L. WINKER	1		AR,B,CM,E,F,G1,G2,IT,SA,SD,SW,U
THREAD COMP., STEERING HEAD		5	38102-MG0-630	STAY, HORN	1		ED,ND
			38110-438-004	HORN COMP. (HIGH)	1		IT
			38110-438-601	HORN COMP. (HIGH)	1		CM,SA,U
							AR,B,E,ED,F,G1,G2,IT,ND,SD,SW
		6	38120-MC5-631	HORN COMP. (LOW)	1		
		7	50301-268-000	RACE, STEERING TOP BALL	1		IT
		8	50302-268-000	RACE, STEERING BOTTOM BALL	1		
		9	53200-MG0-000ZA	STEM COMP., STEERING *NH-105*	1		
		10	53211-268-000	RACE, STEERING TOP CONE	1		
		11	53212-250-000	RACE, STEERING BOTTOM CONE	1		
		12	53214-250-000	DUST SEAL, STEERING HEAD	1		
		13	53215-250-000	WASHER, STEERING HEAD	1		
		14	53220-ME9-000	THREAD COMP., STEERING HEAD	1		
		15	95700-06010-00	BOLT, FLANGE, 6X10	1		
		16	95700-06010-07	BOLT, FLANGE, 6X10	2		
		17	95700-06012-07	BOLT, FLANGE, 6X12	1		IT

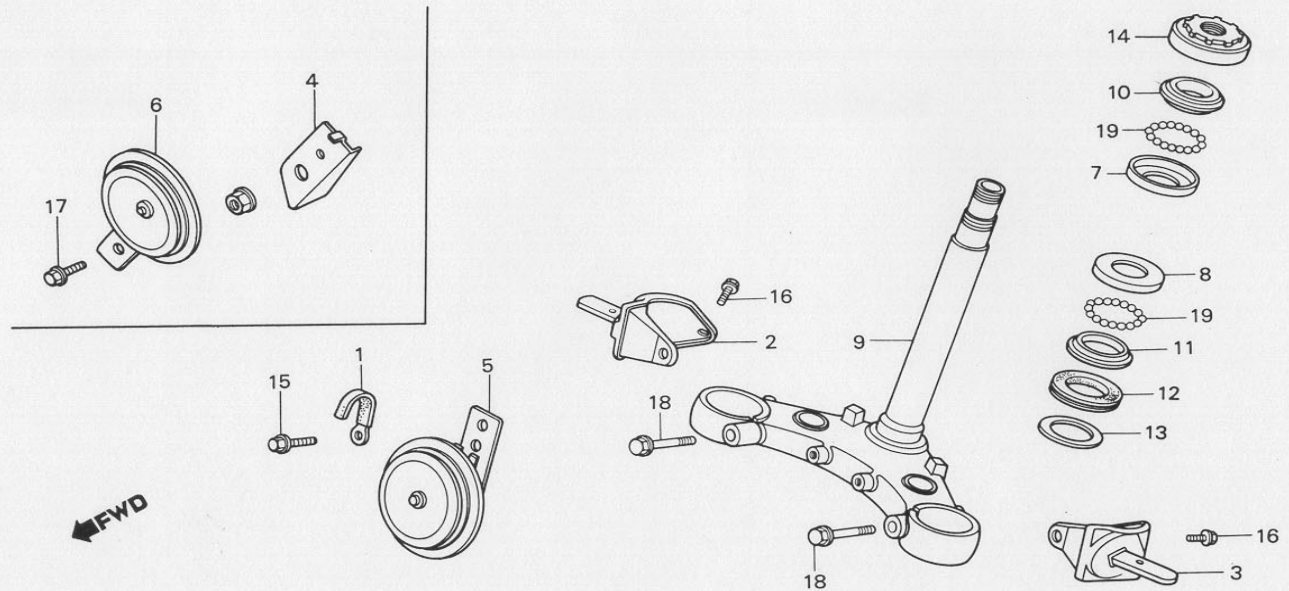
F 12

F-6

Steering stem

Tige de direction

Steuerkopfschaft



BMC5-8

Service item	F.R.T.	Ref. No.	Part No.	Description	Reqd. No. CX650ED	Serial No.	Area code
		18	95700-10035-07	BOLT, FLANGE, 10X35	2		
		19	96211-08000	BALL, STEEL, #8 (1/4)	37		

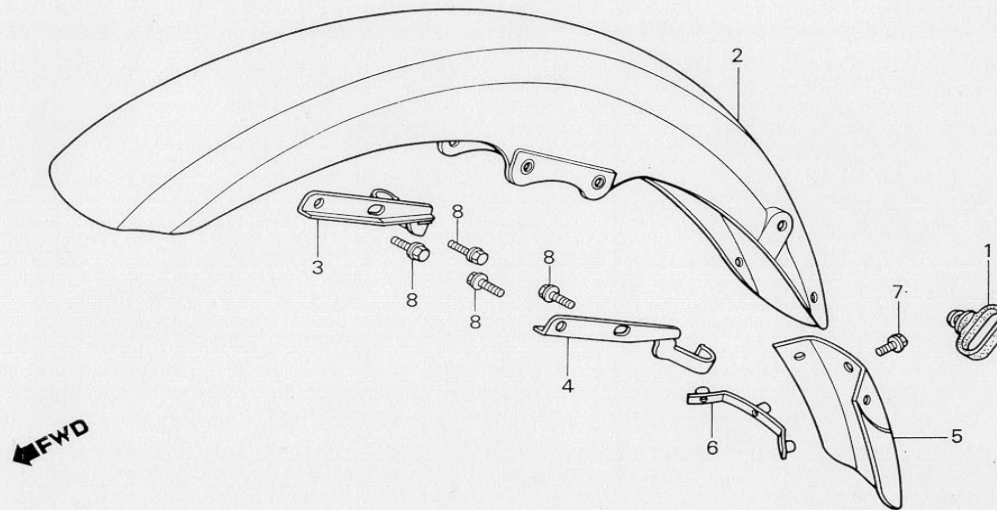
F 13

F-7

Front fender

Garde-boue avant

Vorderer Kotflügel



BMC5-9A

Service item	F.R.T.	Ref. No.	Part No.	Description	Reqd. No. CX650Ed	Serial No.	Area code
FENDER COMP., FR.	0.3	1	45451-471-000	GROMMET, WIRE	1		
		2	61100-MG0-000ZA	FENDER COMP., FR. *NH-1*	1		AR,B,CM,E,ED,F,G1,G2,IT,SA,SD,SW U
			61100-MG0-000ZB	FENDER COMP., FR. *NH-121P-A*	1		AR,B,CM,E,ED,F,G1,G2,IT,SA,SD,SW U
			61100-MG0-000ZC	FENDER COMP., FR. *R-124C-U*	1		AR,B,CM,E,ED,F,G1,G2,IT,SA,SD,SW U
			61100-MG0-680ZA	FENDER COMP., FR. *NH-1*	1		ND
			61100-MG0-680ZB	FENDER COMP., FR. *NH-121P-A*	1		ND
			61100-MG0-680ZC	FENDER COMP., FR. *R-124C-U*	1		ND
		3	61101-MC5-000	GUIDE, R. FR. FENDER	1		
		4	61102-MC5-000	GUIDE, L. FR. FENDER	1		
		5	61105-MC5-680	MUDGUARD, FR. FENDER	1		ND
		6	61106-MC5-680	STAY, FR. MUDGUARD	1		ND
		7	93891-05010-00	SCREW-WASHER, 5X10	3		ND
		8	95700-06016-08	BOLT, FLANGE, 6X16	4		

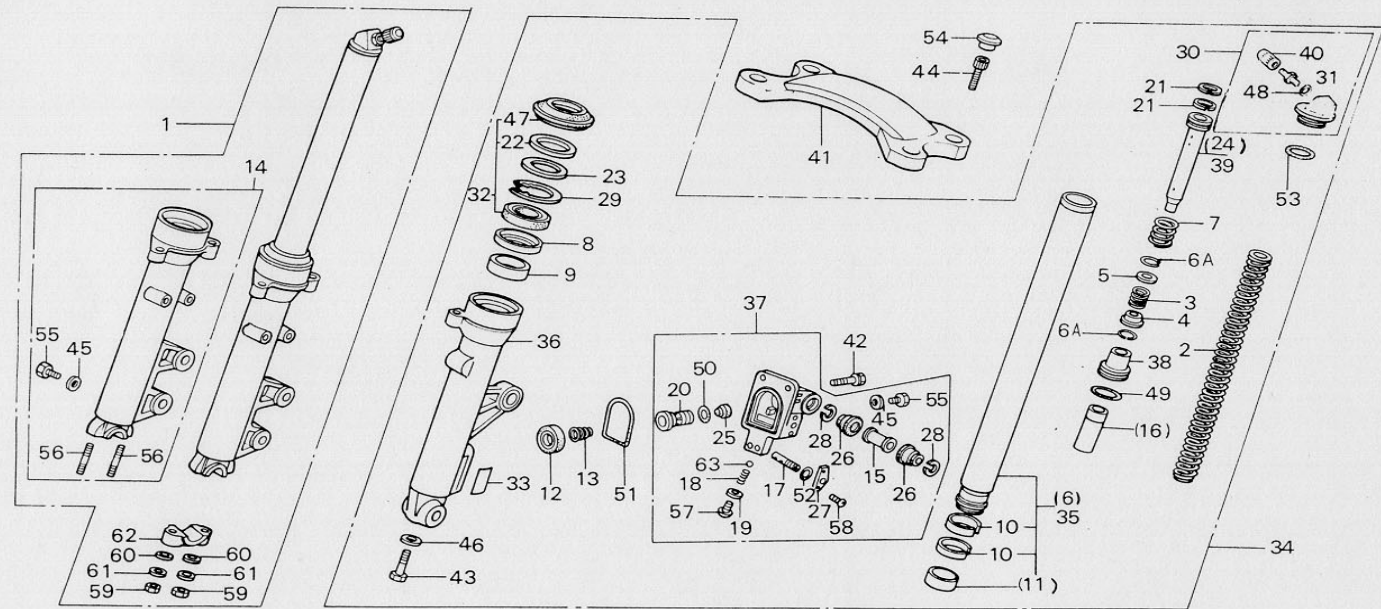
F 14

F-8

Front fork

Fourche avant

Vordergabel



BMC5-10B

Service item	F.R.T.	Ref. No.	Part No.	Description	Reqd. No. CX650ED	Serial No.	Area code
FORK ASSY., FR. (ADD 0.2 FOR EACH.)	0.5	1	51400-MG0-003	FORK ASSY., R. FR.	1		
CASE COMP., PISTON		2	51401-MG0-003	SPRING, FR. CUSHION	2		
SPRING, FR. CUSHION	0.3	3	51402-MA6-003	SPRING B, FR. CUSHION	1		
PIPE COMP., FORK (ADD 0.5 FOR EACH.)	0.8	4	51403-MA6-003	VALVE, OIL LOCK	1		
CASE COMP., R. BOTTOM (L. SIDE 0.9) (ADD 0.5 FOR EACH.)		5	51405-MA6-003	SEAT, SPRING	1		
SEAL SET, FR. FORK (ADD 0.5 FOR EACH.)		6A	51405-MC7-003	RING, STOPPER	2		
PACKING, PISTON CASE	0.4	6	51410-MG0-003	PIPE COMP., R. FORK	1		
ROD, ADJUSTER		7	51412-ME1-671	SPRING, FR. FORK REBOUND	2		
VALVE COMP., AIR	0.1	8	51412-461-003	RING, BACK UP	2		
STABILIZER, FR		9	51414-461-003	BUSH, GUIDE	2		
		10	51415-MC5-003	BUSH, SLIDER	2		
		11	51415-461-003	BUSH, SLIDER	1		
		12	51417-ME1-671	PACKING, PISTON CASE	1		
		13	51418-ME1-671	SPRING, PISTON	1		
		14	51421-MG0-003	CASE COMP., R. BOTTOM	1		
		15	51423-MC7-003	COLLAR, PISTON	1		
		16	51432-371-003	PIECE, OIL LOCK	1		
		17	51433-MC7-003	ROD, ADJUSTER	1		
		18	51434-MC7-003	SPRING, CLICK	1		
		19	51435-MC7-003	WASHER, SPECIAL, 5MM	1		
		20	51436-ME1-671	PISTON	1		
		21	51437-MA0-771	RING, PISTON	3		
		22	51438-MC5-003	HOLDER, GREASE	2		
		23	51439-MC5-003	WASHER	2		
		24	51440-MG0-003	PIPE, R. SEAT	1		

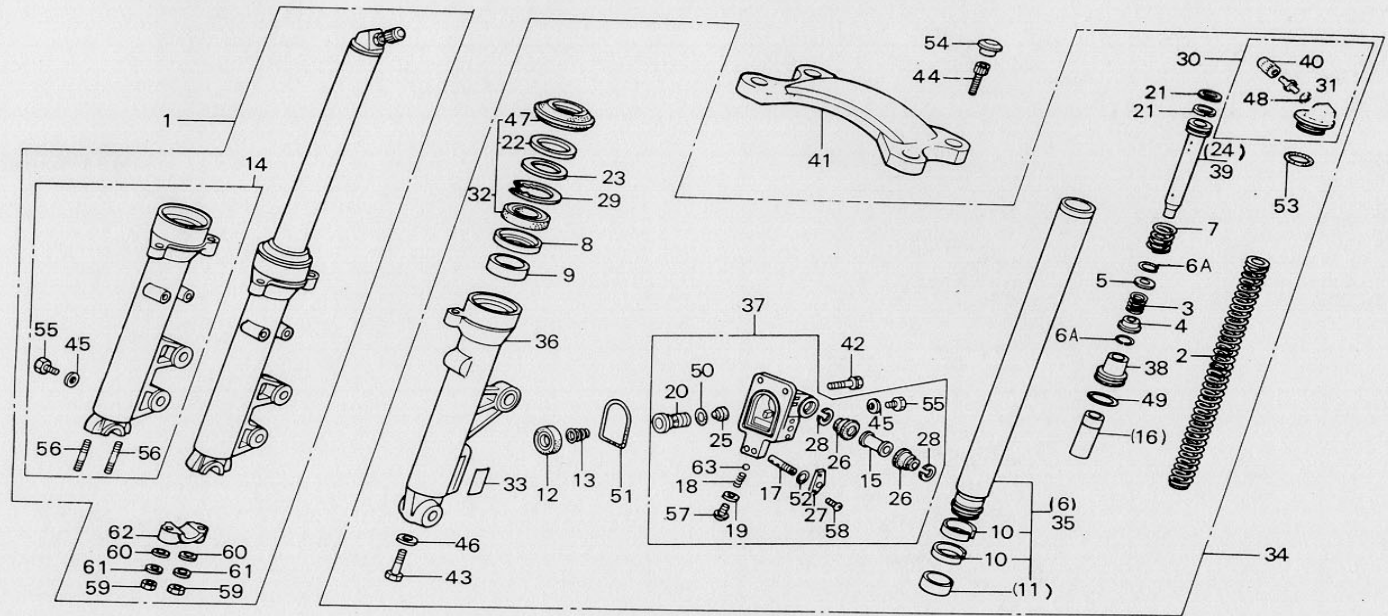
F 15

F-8

Front fork

Fourche avant

Vordergabel



BMC5-10

Service item	F.R.T.	Ref. No.	Part No.	Description	Reqd. No. CX650Ed	Serial No.	Area code
		25	51441-MC7-003	RUBBER, STOPPER	1		
		26	51442-MC7-003	BOOT, PISTON CASE	2		
		27	51444-MC7-003	WASHER, L. SIDE	1		
		28	51445-MC7-003	HOLDER, BOOT	2		
		29	51447-461-003	CIRCLIP, INTERNAL, 50MM	2		
		30	51450-MC5-003	BOLT ASSY., FR. FORK	2		
		31	51456-469-013	VALVE COMP., AIR (SHOWA)	2		
		32	51490-MC5-305	SEAL SET, FR. FORK	2		
		33	51496-MC7-670	MARK, FR. FORK	1		
		34	51500-MG0-003	FORK ASSY., L. FR.	1		
		35	51510-MG0-003	PIPE COMP., L. FORK	1		
		36	51521-MG0-003	CASE COMP., L. BOTTOM	1		
		37	51530-ME1-671	CASE COMP., PISTON	1		
		38	51532-ME1-671	PIECE B, OIL LOCK	1		
		39	51540-MC5-003	PIPE, L. SEAT	1		
		40	52425-381-771	CAP, AIR VALVE	2		
		41	53240-MG0-000	STABILIZER, FR	1		
		42	90116-MC7-003	BOLT, SOCKET, 6MM	4		
		43	90116-283-010	BOLT, SOCKET, 8MM	2		
		44	90153-MB0-000	BOLT, SOCKET, 8X17	4		
		45	90543-273-000	PACKING, FR. FORK DRAIN COCK	2		
		46	90544-283-000	WASHER, SPECIAL, 8MM	2		

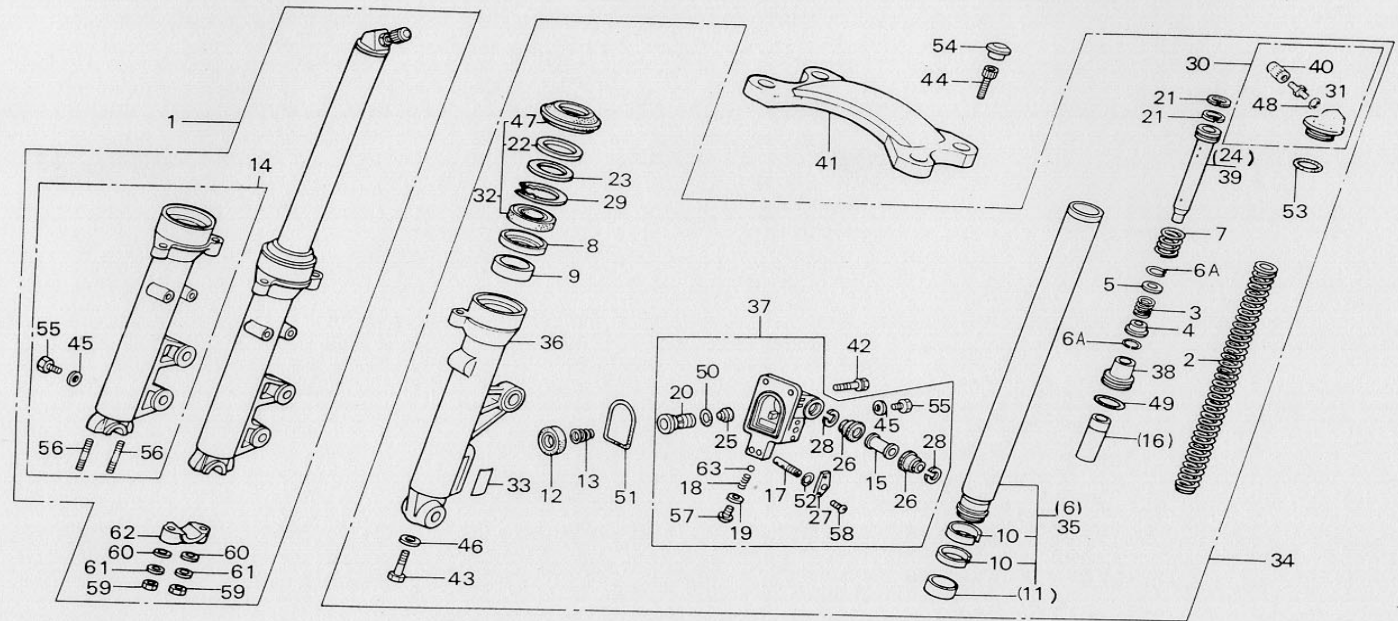
F 16

F-8

Front fork

Fourche avant

Vordergabel



BMC5-10B

Service item	F.R.T.	Ref. No.	Part No.	Description	Reqd. No. CX650ED	Serial No.	Area code
		47	91254-461-003	DUST SEAL, FR. FORK	2		
			91254-461-004	DUST SEAL, FR. FORK	2		
		48	91301-469-003	O-RING, 5.8X1.9	2		
		49	91306-MC7-003	O-RING E, 33.5X2	1		
		50	91308-MC7-003	O-RING D, 13.8X2.4	1		
		51	91309-MC7-003	O-RING C, 54.4X3.1	1		
		52	91310-MC7-003	O-RING B, 6.8X1.9	1		
		53	91356-371-000	O-RING, 29X2.4	2		
		54	91455-MB0-000	CAP, SOCKET BOLT, 8MM	4		
		55	92000-06008	BOLT, HEX., 6X8	2		
		56	92700-08050-3B	BOLT, STUD, 8X50	2		
		57	93500-05010-1A	SCREW, PAN, 5X10	1		
		58	93600-04010-1B	SCREW, FLAT, 4X10	2		
		59	94030-08000	NUT, HEX., 8MM	2		
		60	94101-08000	WASHER, PLAIN, 8MM	2		
		61	94111-08000	WASHER, SPRING, 8MM	2		
		62	95014-41000	HOLDER 1C, FR. FORK AXLE	1		
		63	96211-05000	BALL, STEEL, #5 (5/32)	1		

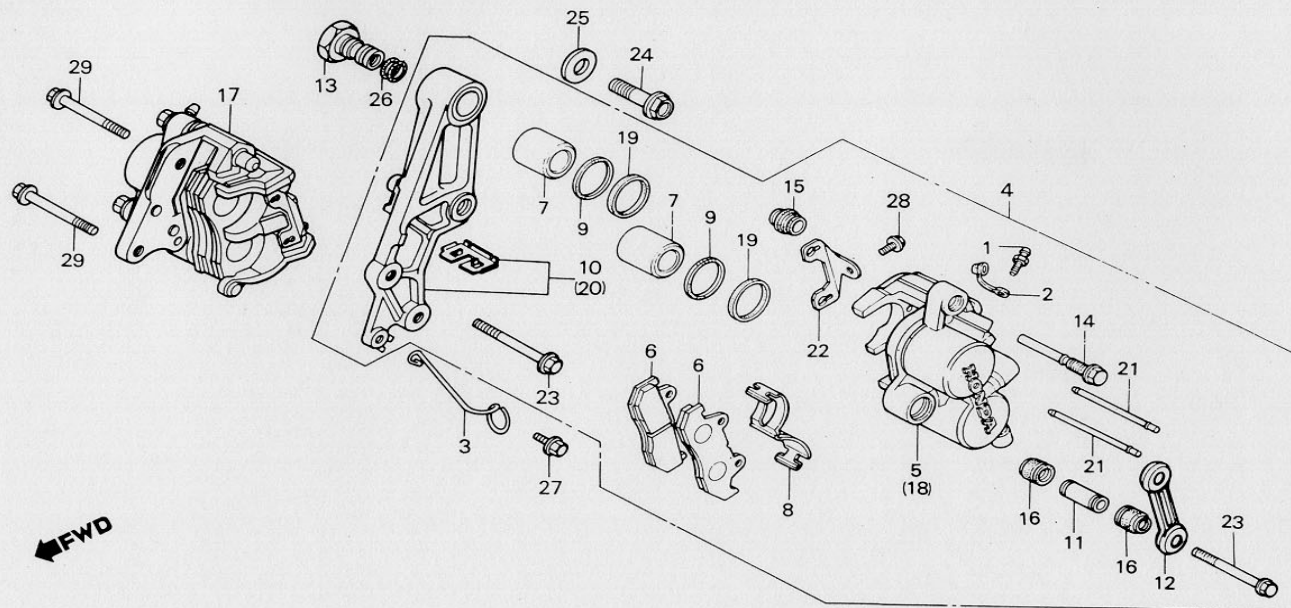
G 1

F-9

Front brake caliper

Etrier de frein avant

Vorderradbremssattel



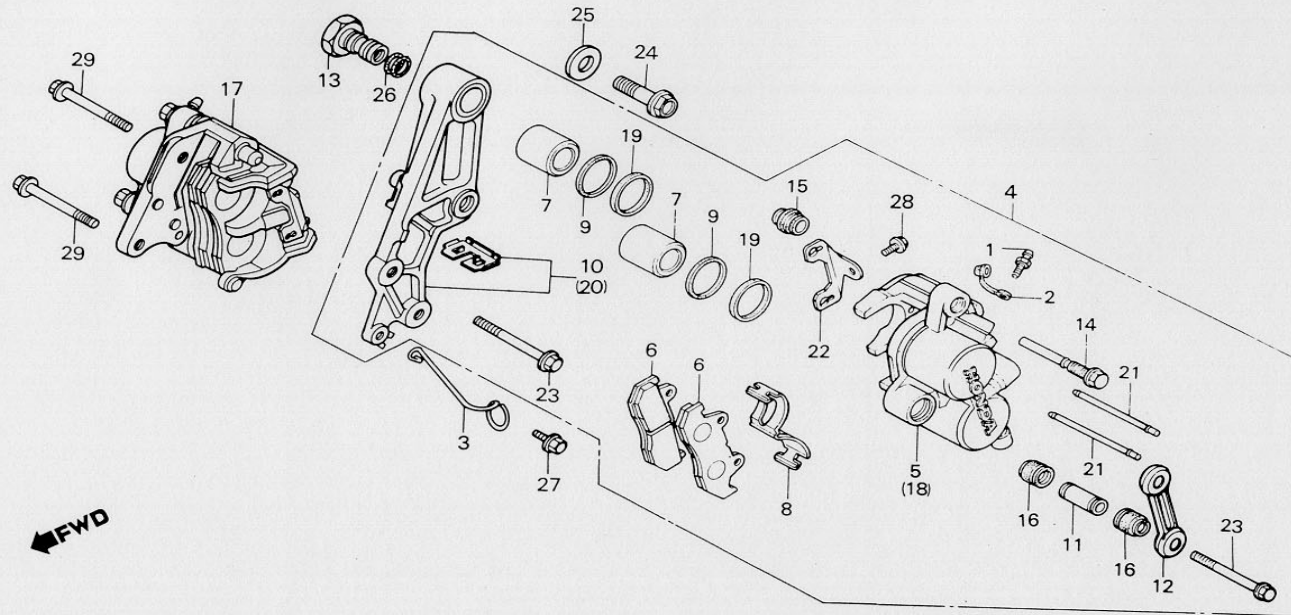
BMC5-11

Service item	F.R.T.	Ref. No.	Part No.	Description	Reqd. No. CX650Ed	Serial No.	Area code
CALIPER ASSY., FR. (ADD 0.1 FOR EACH.)	0.3	1	43352-568-003	SCREW, BLEEDER	2		
CALIPER COMP., L. (ADD 0.3 FOR EACH.)	0.5	2	43353-461-771	CAP, BLEEDER	2		
PAD COMP., FR.	0.1	3	44832-MA3-000	CLAMP, SPEEDMETER CABLE	1		
BRIDGE, CALIPER BRACKET	0.4	4	45100-MB7-611	CALIPER ASSY., L. FR.	1		
PISTON (INC. RELATIVE PART) (ADD 0.1 FOR EACH.)	0.2	5	45101-MC7-006	CALIPER COMP., L.	1		
BRACKET COMP., L. FR.		6	45105-MC7-004	PAD COMP., FR. (JB)	4		
BRACKET COMP., R. FR.		7	45107-MA3-006	PISTON	4		
		8	45108-MA3-006	SPRING, PAD	2		
		9	45109-166-006	DUST SEAL	4		
		10	45110-MB7-611	BRACKET COMP., L. FR.	1		
		11	45111-MA3-006	SLEEVE	2		
		12	45113-MB7-610	BRIDGE, CALIPER BRACKET	1		
		13	45114-MB7-610	SLEEVE, FR. CALIPER BRACKET	1		
		14	45131-MA3-006	BOLT, PIN	2		
		15	45133-MA3-006	BOOT B	2		
		16	45133-166-016	BOOT, PIN	4		
		17	45200-MC5-006	CALIPER ASSY., R. FR.	1		
		18	45201-MC7-006	CALIPER COMP., R.	1		
		19	45209-166-006	SEAL, PISTON	4		
		20	45210-445-632	BRACKET COMP., R. FR.	1		
		21	45215-MA3-006	PIN, HANGER	4		
		22	45217-MA3-006	PLATE	2		
		23	90180-MA3-006	BOLT, FLANGE, 8X49	2		
		24	90188-ME1-670	BOLT, SOCKET, 10X53	1		

G 2

F-9

Front brake caliper
 Etrier de frein avant
 Vorderradbremssattel



BMC5-11

Service item	F.R.T.	Ref. No.	Part No.	Description	Reqd. No. CX650ED	Serial No.	Area code
		25	90502-ME1-670	WASHER, 10.3X25	1		
		26	91302-MC7-611	O-RING, 16.8X1.9	2		
		27	92000-06010	BOLT, HEX., 6X10	1		
		28	95700-06010-00	BOLT, FLANGE, 6X10	2		
		29	95800-10040-00	BOLT, FLANGE, 10X40	2		

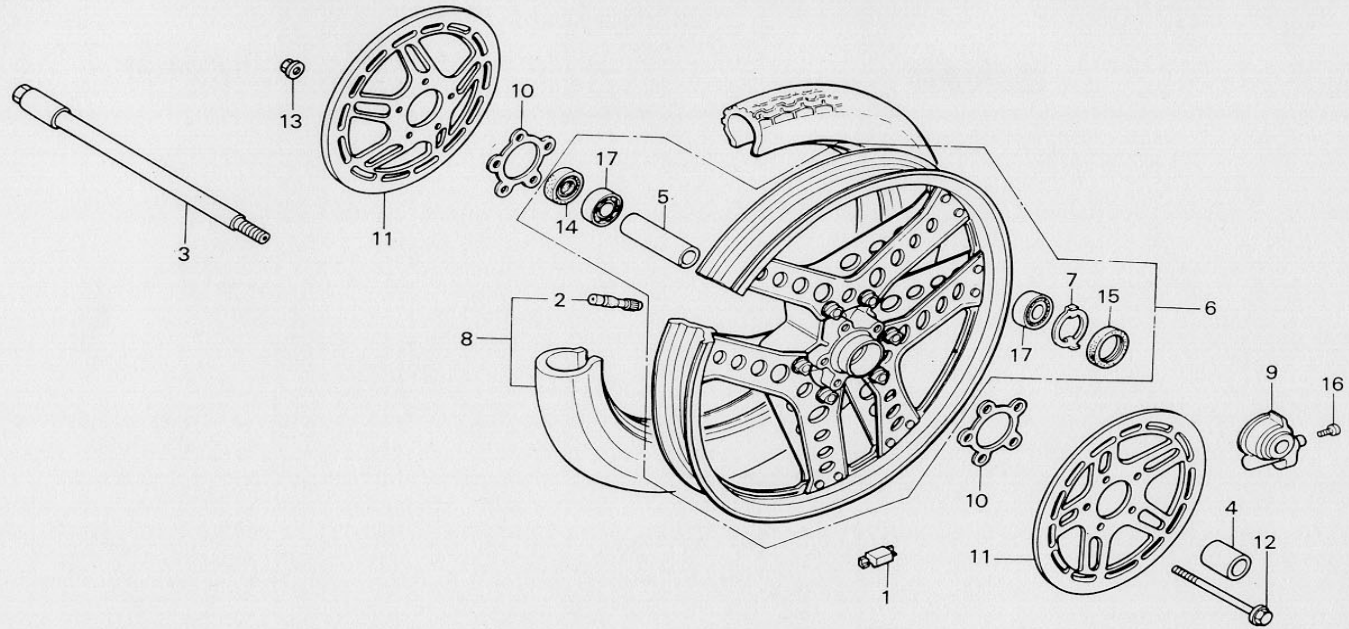


F-10

Front wheel : Disk

Roue avant · Disk

Vorderrad · Bremsscheibe



BMC5-12

Service item	F.R.T.	Ref. No.	Part No.	Description	Reqd. No. CX650ED	Serial No.	Area code
WEIGHT, BALANCE	0.8	1	42704-MC7-000	WEIGHT, BALANCE (10G)	N		
AXLE, FR. WHEEL	0.3	1	42705-MC7-000	WEIGHT, BALANCE (20G)	N		
BOX ASSY., SPEEDOMETER GEAR		7	42706-MC7-000	WEIGHT, BALANCE (30G)	N		
DUST SEAL, 22X42X7		2	42753-425-003	VALVE, RIM (BS)	1		
DUST SEAL, 40X50X5		2	42753-425-004	VALVE, RIM (DUNLOP)	1		
COLLAR, FR. WHEEL DISTANCE	0.5	3	44301-MC5-000	AXLE, FR. WHEEL	1		
BEARING, RADIAL BALL, 6302U (ADD 0.1 FOR EACH.)		4	44311-MC5-000	COLLAR, FR. WHEEL SIDE	1		
WHEEL COMP., FR.	1.1	5	44620-410-000	COLLAR, FR. WHEEL DISTANCE	1		
TIRE ASSY., FR.	0.9	6	44650-MC5-305	WHEEL COMP., FR.	1		
DISK, FR. BRAKE (ADD 0.1 FOR EACH.)	0.4	7	44680-410-000	RETAINER, GEAR BOX	1		
		8	44710-MG0-003	TIRE ASSY., FR. (100/90-18 56H BS)	1		AR,B,E,ED,F,G1,G2,IT,ND,SA,SD,SW U
			44710-MG0-004	TIRE ASSY., FR. (100/90-18 56H DUNLOP)	1		AR,B,E,ED,F,G1,G2,IT,ND,SA,SD,SW U
			44710-MG0-009	TIRE ASSY., FR. (100/90-18 56H YOKOHAMA)	1		AR,B,E,ED,F,G1,G2,IT,ND,SA,SD,SW U
			44710-MG0-721	TIRE ASSY., FR. (100/90-18 56H BS)	1		CM
			44710-MG0-722	TIRE ASSY., FR. (100/90-18 56H DUNLOP)	1		CM
			44710-MG0-723	TIRE ASSY., FR. (100/90-18 56H YOKOHAMA)	1		CM
		9	44800-MC7-003	BOX ASSY., SPEEDOMETER GEAR	1		
		10	45128-MC7-000	SHIM, DAMPING	1		
		11	45251-413-941	DISK, FR. BRAKE	2		
		12	90103-438-000	BOLT, FLANGE, 8X104	5		
		13	90309-428-731	NUT, FLANGE, 8MM	5		
		14	91252-MC7-003	DUST SEAL, 22X42X7	1		
		15	91258-410-013	DUST SEAL, 40X50X5	1		

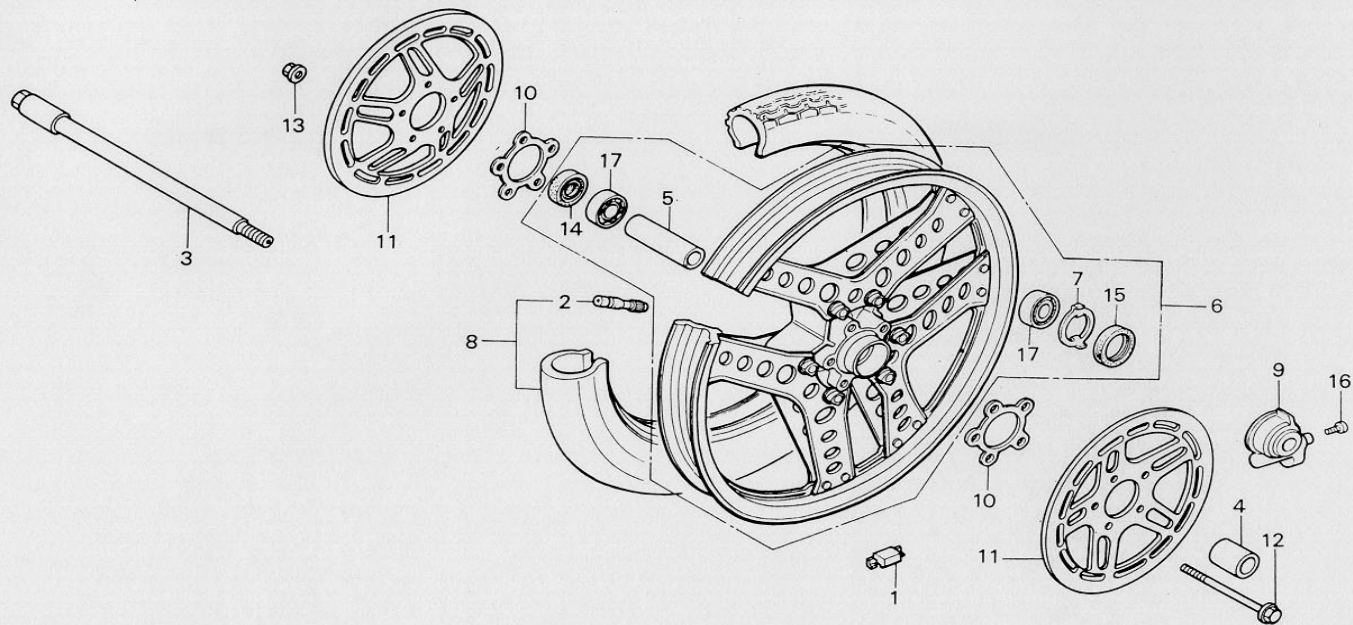


F-10

Front wheel : Disk

Roue avant · Disk

Vorderrad · Bremsscheibe



BMC5-12

Service item	F.R.T.	Ref. No.	Part No.	Description	Reqd. No. CX650Ed	Serial No.	Area code
		16	93700-05020-0G	SCREW, OVAL, 5X20	1		
		17	96140-63020-10	BEARING, RADIAL BALL, 6302U	2		

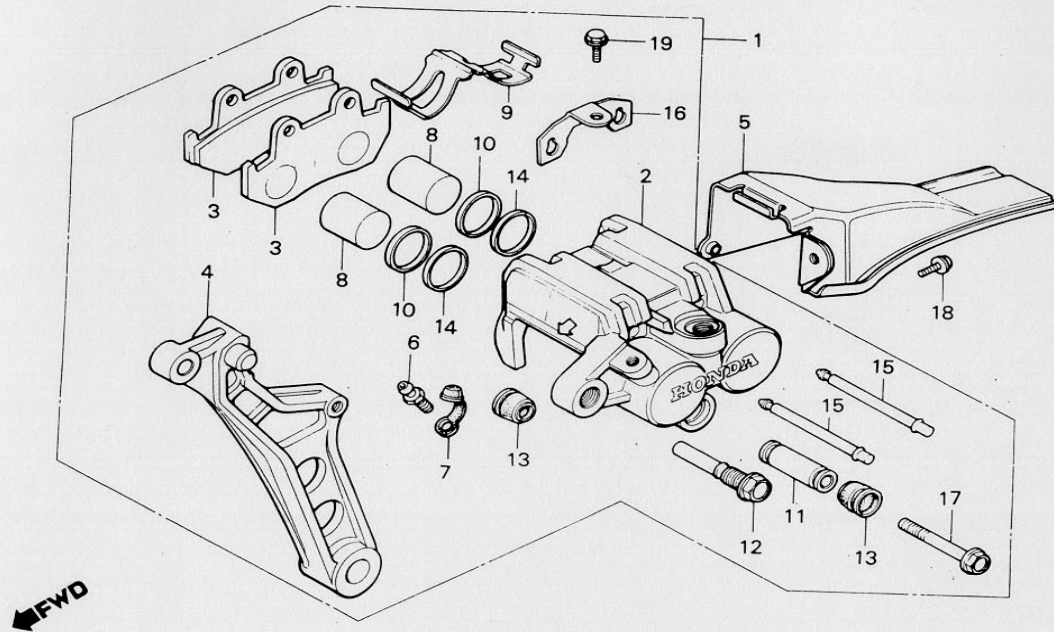


F-11

Rear brake caliper

Etrier de frein arriere

Hinterradbremssattel



BMC7-33

Service item	F.R.T.	Ref. No.	Part No.	Description	Reqd. No. CX650ED	Serial No.	Area code
CALIPER ASSY., RR.	0.5	1	43100-MC7-016	CALIPER ASSY., RR.	1		
.CALIPER COMP., RR.		2	43101-MB9-006	CALIPER COMP., RR.	1		
.BRACKET, RR. BRAKE		3	43105-MC7-014	PAD COMP., RR. (NISSHIN JB)	2		
PAD COMP., RR.	0.1	4	43110-MC7-006	BRACKET, RR. BRAKE	1		
.COVER COMP., RR. DISK		5	43140-MB9-000	COVER COMP., RR. DISK	1		
PISTON	0.4	6	43352-568-003	SCREW, BLEEDER	1		
(INC. RELATIVE PART)		7	43353-461-771	CAP, BLEEDER	1		
		8	45107-MA3-006	PISTON	2		
		9	45108-MA3-006	SPRING, PAD	1		
		10	45109-166-006	DUST SEAL	2		
		11	45111-MA3-006	SLEEVE	1		
		12	45131-MA3-006	BOLT, PIN	1		
		13	45133-166-016	BOOT, PIN	2		
		14	45209-166-006	SEAL, PISTON	2		
		15	45215-MA3-006	PIN, HANGER	2		
		16	45217-MA3-006	PLATE	1		
		17	90180-MA3-006	BOLT, FLANGE, 8X49	1		
		18	93892-05010-07	SCREW-WASHER, 5X10	1		
		19	95700-06010-07	BOLT, FLANGE, 6X10	1		

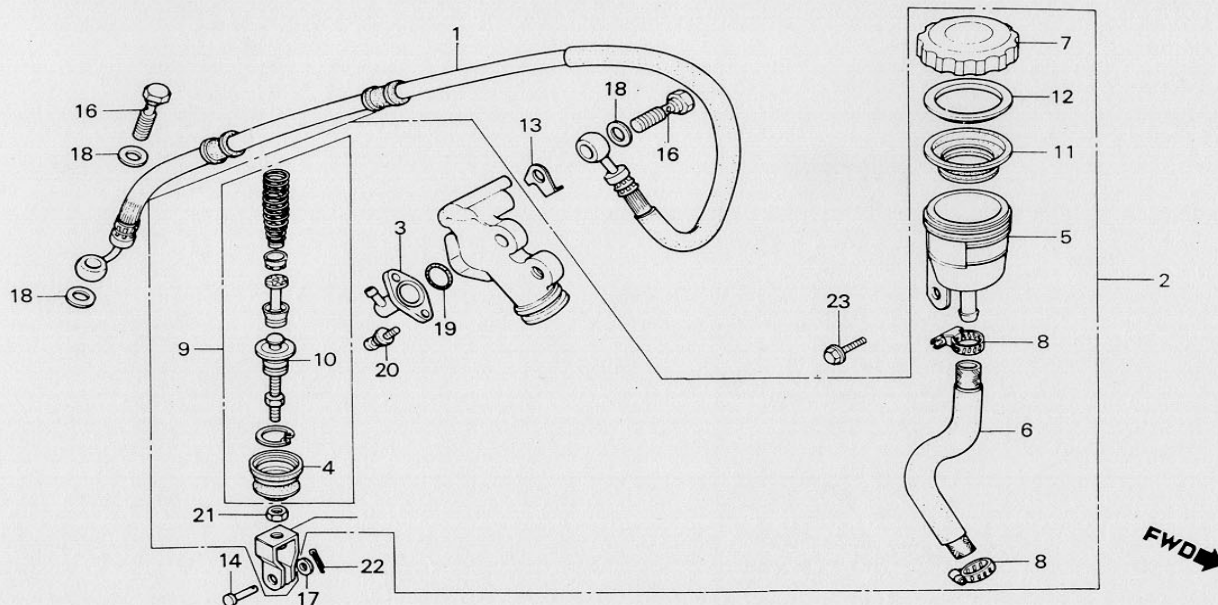
G 6

F-12

Rear brake master cylinder

Maitre cylindre de frein arrière

Hinterradbremse-Hauptzylinder



BMC7-32

Service item	F.R.T.	Ref. No.	Part No.	Description	Reqd. No. CX650Ed	Serial No.	Area code
HOSE, RR. BRAKE	0.4	1	43310-MC5-003	HOSE, RR. BRAKE	1		
CYLINDER ASSY., RR. MASTER	0.5	2	43500-MC7-006	CYLINDER ASSY., RR. MASTER	1		
CUP, MASTER CYLINDER OIL	0.2	3	43503-422-006	CONNECTOR, MASTER CYLINDER	1		
HOSE, MASTER CYLINDER		4	43504-371-013	BOOT, MASTER CYLINDER	1		
CYLINDER SET, MASTER	0.6	5	43511-443-761	CUP, MASTER CYLINDER OIL	1		
		6	43512-MC7-611	HOSE, MASTER CYLINDER	1		
		7	43513-461-771	CAP, OIL CUP	1		
		8	43514-445-771	CLAMP, MASTER CYLINDER OIL	2		
		9	43520-461-771	CYLINDER SET, MASTER	1		
		10	43530-MC7-006	ROD COMP., PUSH	1		
		11	45520-300-000	DIAPHRAGM	1		
		12	45521-300-010	PLATE, DIAPHRAGM	1		
		13	45535-MC7-000	STOPPER, OIL BOLT	1		
		14	46503-371-000	PIN, BRAKE ROD	1		
		15	46504-445-771	JOINT, BRAKE ROD	1		
		16	90145-300-000	BOLT, OIL	2		
		17	90501-310-000	WASHER, 7X12	1		
		18	90545-300-000	WASHER, OIL BOLT	3		
		19	91212-422-006	O-RING, 14.8X2.4	1		
		20	93893-04012-18	SCREW-WASHER, 4X12	2		
		21	94002-08000-0S	NUT, HEX., 8MM	1		
		22	94201-16150	PIN, SPLIT, 1.6X15	1		
		23	95700-06012-00	BOLT, FLANGE, 6X12	1		

1982.10.01

E

G6

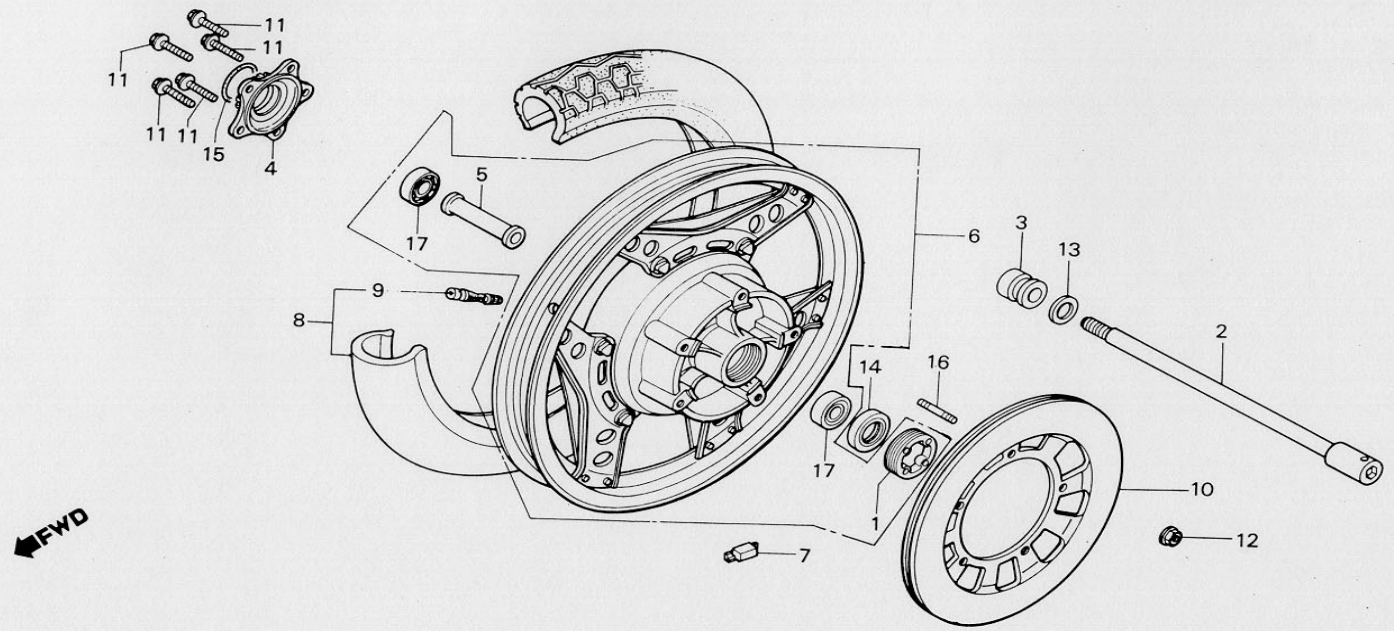
G 7

F-13

Rear wheel

Roue arrière

Hinterrad



BMC5-13A

Service item	F.R.T.	Ref. No.	Part No.	Description	Reqd. No. CX650ED	Serial No.	Area code
RETAINER, RR. WHEEL BEARING	0.5	1	41231-430-000	RETAINER, RR. WHEEL BEARING	1		
FLANGE, FINAL DRIVEN		2	42301-MG0-000	AXLE, RR. WHEEL	1		
COLLAR, RR. WHEEL DISTANCE		3	42311-ME7-000	COLLAR, BRAKE SIDE	1		
BEARING, RADIAL BALL, 6303U (ADD 0.1 FOR EACH.)		4	42615-MB0-700	FLANGE, FINAL DRIVEN	1		
AXLE, RR. WHEEL	0.3	5	42620-ME7-700	COLLAR, RR. WHEEL DISTANCE	1		
WHEEL COMP., RR.	1.3	6	42650-MG0-305	WHEEL COMP., RR.	1		
WEIGHT, BALANCE	0.9	7	42704-MC7-000	WEIGHT, BALANCE (10G)	N		
TIRE ASSY., RR.	1.0		42705-MC7-000	WEIGHT, BALANCE (20G)	N		
DISK, RR. BRAKE	0.4		42706-MC7-000	WEIGHT, BALANCE (30G)	N		
		8	42710-MG0-009	TIRE ASSY., RR. (120/80-18 62H YOKOHAMA)	1		AR,B,E,ED,F,G1,G2,IT,ND,SA,SD,SW
			42710-MG0-611	TIRE ASSY., RR. (120/80-18 62H BS)	1		U
			42710-MG0-612	TIRE ASSY., RR. (120/80-18 62H DUNLOP)	1		AR,B,E,ED,F,G1,G2,IT,ND,SA,SD,SW
			42710-MG0-721	TIRE ASSY., RR. (120/80-18 62H BS)	1		U
			42710-MG0-722	TIRE ASSY., RR. (120/80-18 62H DUNLOP)	1		CM
			42710-MG0-723	TIRE ASSY., RR. (120/80-18 62H YOKOHAMA)	1		CM
		9	42753-425-003	VALVE, RIM (BS)	1		
			42753-425-004	VALVE, RIM (DUNLOP)	1		
		10	43121-MC5-000	DISK, RR. BRAKE	1		
		11	90130-MC7-000	BOLT, UBS, 10X34	5		
		12	90301-473-003	NUT, U, 6MM	5		
		13	90581-MG0-000	WASHER, SIDE RR. AXLE	1		
		14	91257-230-005	OIL SEAL, 28X42X7	1		

G 8

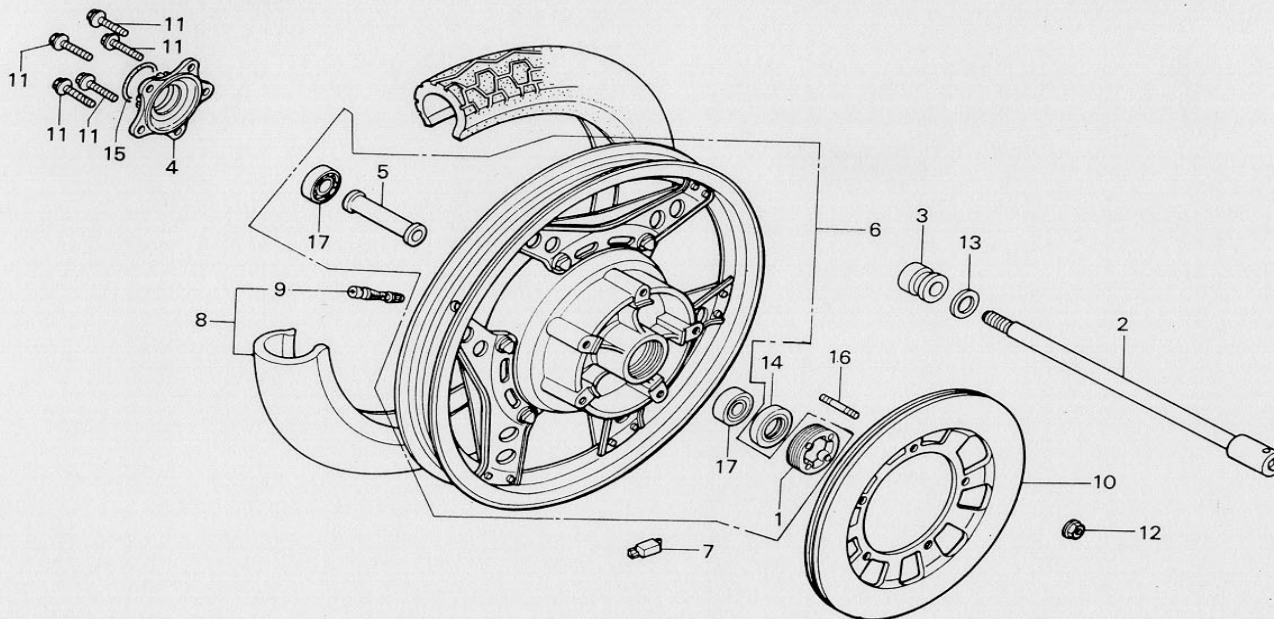
F-13

Rear wheel

Roue arrière

Hinterrad

← FWD



BMC5-13A

Service item	F.R.T.	Ref. No.	Part No.	Description	Reqd. No. CX650Ed	Serial No.	Area code
		15	91358-MB0-000	O-RING, 46.5X3.5	1		
		16	92712-06035-0E	BOLT, STUD, 6X35	5		
		17	96140-63030-10	BEARING, RADIAL BALL, 6303U	2		

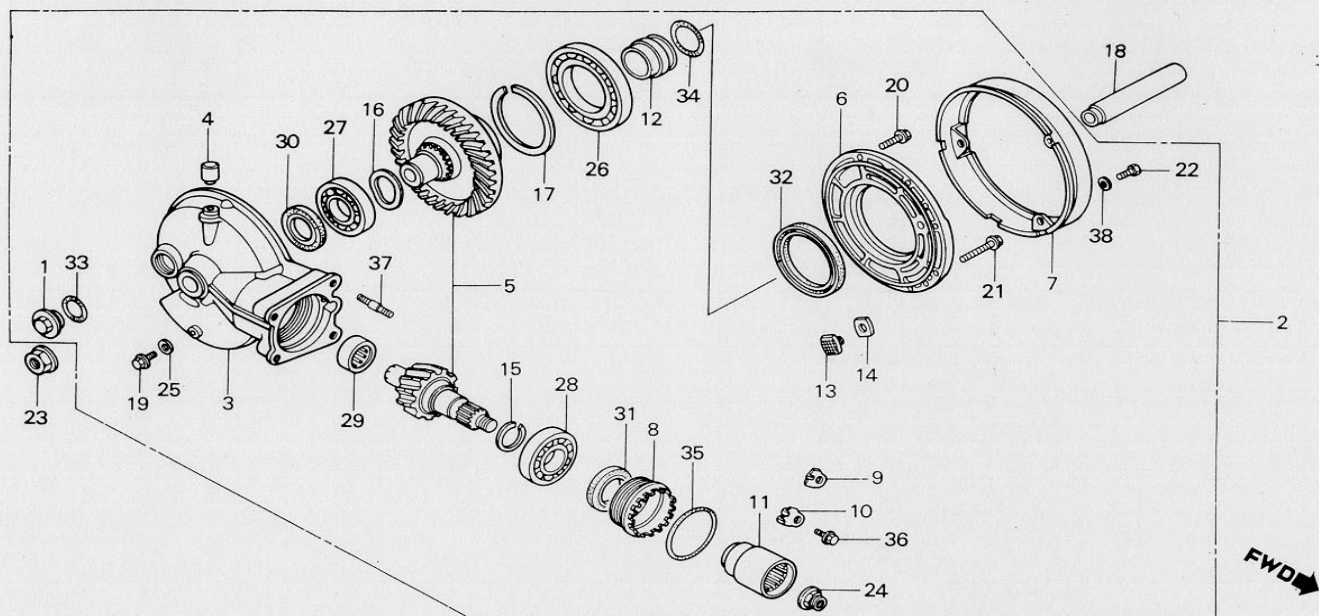


F-14

Final driven gear

Engrenages de réduction finale

Endabtriebsgetriebe



BME2-44A

Service item	F.R.T.	Ref. No.	Part No.	Description	Reqd. No. CX650Ed	Serial No.	Area code
GEAR ASSY., FINAL DRIVEN	0.6	1	12361-035-000	CAP, TAPPET ADJUSTING HOLE	1		
CASE, FINAL GEAR	2.4	2	41300-MG0-000	GEAR ASSY., FINAL DRIVEN	1		
GEAR SET, FINAL	2.1	3	41301-MG0-000	CASE, FINAL GEAR	1		
COVER, GEAR CASE	0.7	4	41306-MB0-700	CAP, BREATHER	1		
JOINT, PINION		5	41310-MG0-000	GEAR SET, FINAL	1		
OIL SEAL, 60X80X8							
PLATE, DUST GUARD	0.4	6	41321-MG0-000	COVER, GEAR CASE	1		
HOLDER, O-RING		7	41324-MG0-000	PLATE, DUST GUARD	1		
COLLAR B, RR. WHEEL DISTANCE		8	41331-ME9-000	RETAINER, BEARING	1		
RETAINER, BEARING	0.8	9	41332-415-000	LOCK A, BEARING ADJUSTING	1		
(INC. RELATIVE PART)		10	41333-415-000	LOCK B, BEARING ADJUSTING	1		
SHIM PINION GEAR	1.3						
BEARING, RADIAL BALL, 6305		11	41410-ME9-000	JOINT, PINION	1		
SPACER RING GEAR	1.4	12	41433-MB0-000	HOLDER, O-RING	1		
BEARING, RADIAL BALL, 16012C3		13	41436-MB0-700	PIN, RING GEAR STOPPER	1		
BEARING, RADIAL BALL, 57/34C3	0.9	14	41437-MB0-300	SHIM A, STOPPER PIN	1		
OIL SEAL, 34X50X7			41438-MB0-300	SHIM B, STOPPER PIN	1		
		15	41450-MB0-000	SHIM A, PINION GEAR (1.82)	1		
			41451-MB0-000	SHIM B, PINION GEAR (1.88)	1		
			41452-MB0-000	SHIM C, PINION GEAR (1.94)	1		
			41453-MB0-000	SHIM D, PINION GEAR (2.00)	1		
			41454-MB0-000	SHIM E, PINION GEAR (2.06)	1		

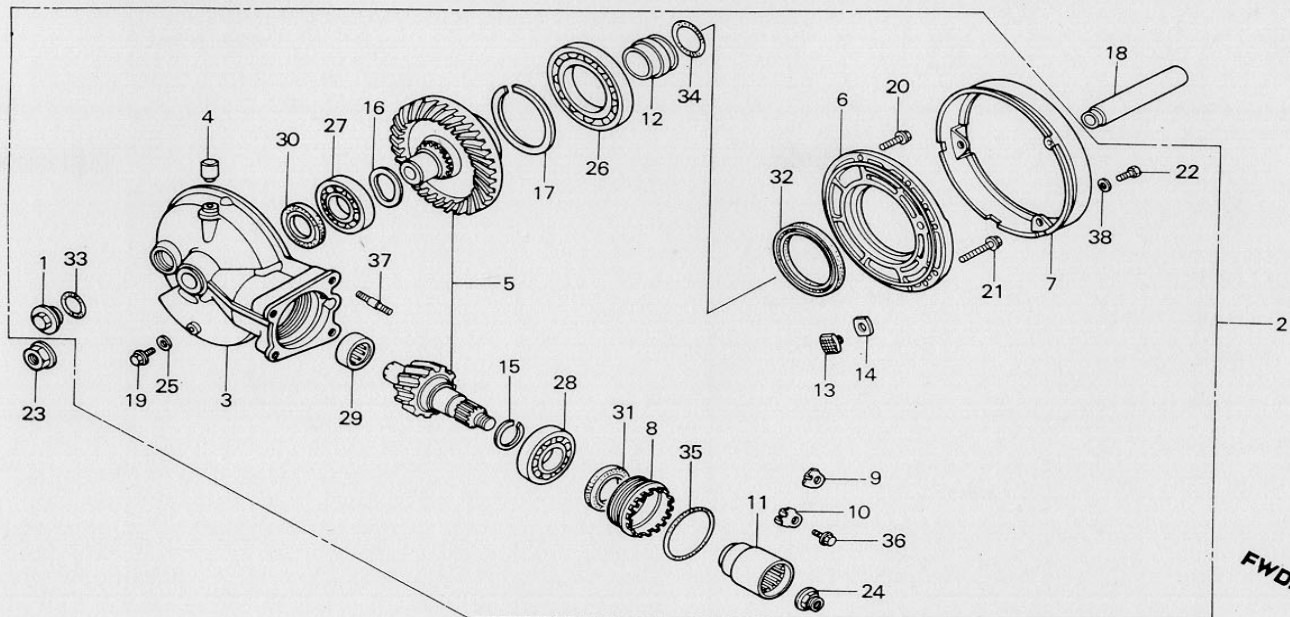
G 10

F-14

Final driven gear

Engrenages de réduction finale

Endabtriebsgetriebe



BME2-44A

Service item	F.R.T.	Ref. No.	Part No.	Description	Req. No. CX650Ed	Serial No.	Area code
			41455-MB0-000	SHIM F, PINION GEAR (2.12)	1		
			41456-MB0-000	SHIM G, PINION GEAR (2.18)	1		
		16	41510-MB0-003	WASHER, SPECIAL, 35X40	1		
		17	41530-MB0-000	SPACER A, RING GEAR (1.82)	1		
			41531-MB0-000	SPACER B, RING GEAR (1.88)	1		
			41532-MB0-000	SPACER C, RING GEAR (1.94)	1		
			41533-MB0-000	SPACER D, RING GEAR (2.00)	1		
			41534-MB0-000	SPACER E, RING GEAR (2.06)	1		
			41535-MB0-000	SPACER F, RING GEAR (2.12)	1		
			41536-MB0-000	SPACER G, RING GEAR (2.18)	1		
			41537-MB0-000	SPACER H, RING GEAR (2.24)	1		
			41538-MB0-000	SPACER I, RING GEAR (2.30)	1		
		18	42625-MB0-000	COLLAR B, RR. WHEEL DISTANCE	1		
		19	90109-371-000	BOLT, SEALING, 8MM	1		
		20	90133-MB0-000	BOLT, FLANGE, 8X27	6		
		21	90134-371-000	BOLT, FLANGE, 10X38	2		
		22	90170-MB0-000	BOLT, HEX., 6X16	1		
		23	90305-ME4-003	NUT U, 16MM	1		

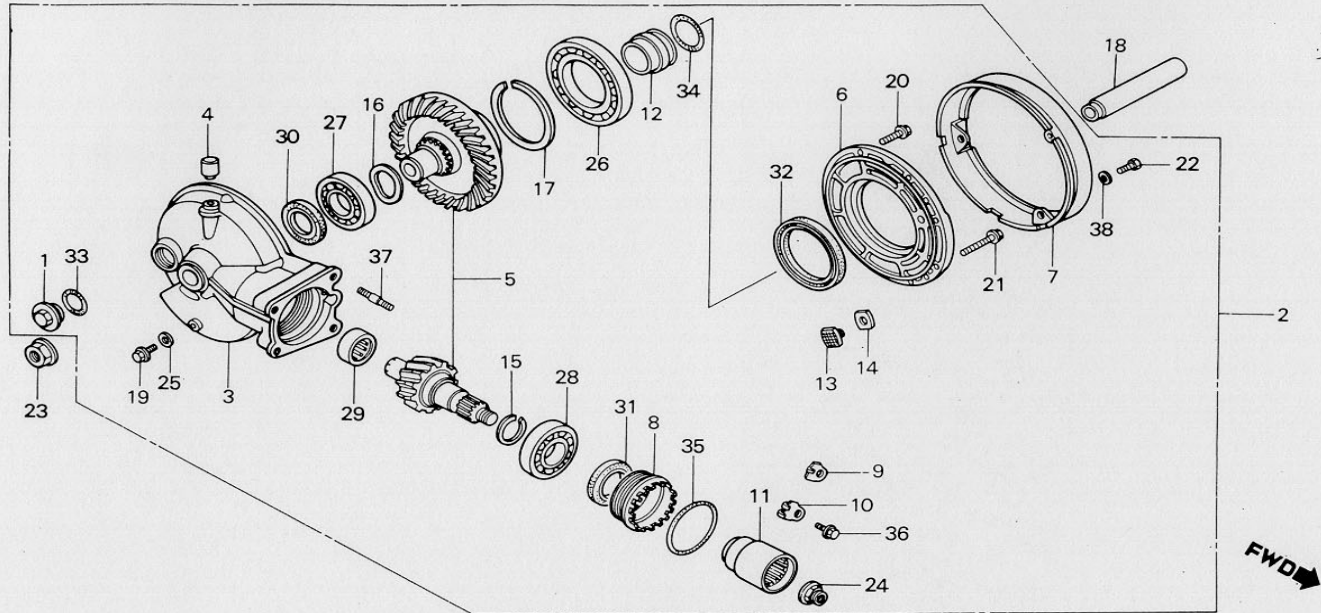
G 11

F-14

Final driven gear

Engrenages de réduction finale

Endabtriebsgetriebe



BME2-44A

Service item	F.R.T.	Ref. No.	Part No.	Description	Reqd. No. CX650ED	Serial No.	Area code
		24	90381-MB0-700	NUT, HEX., 16MM	1		
		25	90471-580-000	WASHER, 8MM	1		
		26	91051-MB0-005	BEARING, RADIAL BALL, 16012C3	1		
		27	91052-MB0-003	BEARING, RADIAL BALL, 57/34C3	1		
		28	91061-MB0-005	BEARING, RADIAL BALL, 6305	1		
		29	91062-MB0-005	BEARING, NEEDLE, 19/16	1		
		30	91261-MB0-000	OIL SEAL, 34X50X7	1		
			91261-MB0-003	OIL SEAL, 34X50X8	1		
			91261-MB0-005	OIL SEAL, 34X50X7	1		
		31	91262-ME9-003	OIL SEAL, 39X51X7	1		
			91262-ME9-005	OIL SEAL, 39X51X7	1		
		32	91265-MB0-000	OIL SEAL, 60X80X8	1		
			91265-MB0-003	OIL SEAL, 60X80X8	1		
		33	91302-001-020	O-RING, 30.8MM	1		
		34	91356-MB0-000	O-RING, 35.5X2.4	1		
			91356-MB0-005	O-RING, 35.2X2.4	1		
		35	91357-MB0-000	O-RING, 56.5X2	1		
			91357-MB0-003	O-RING, 56.5X2	1		
		36	92000-06012	BOLT, HEX., 6X12	4		

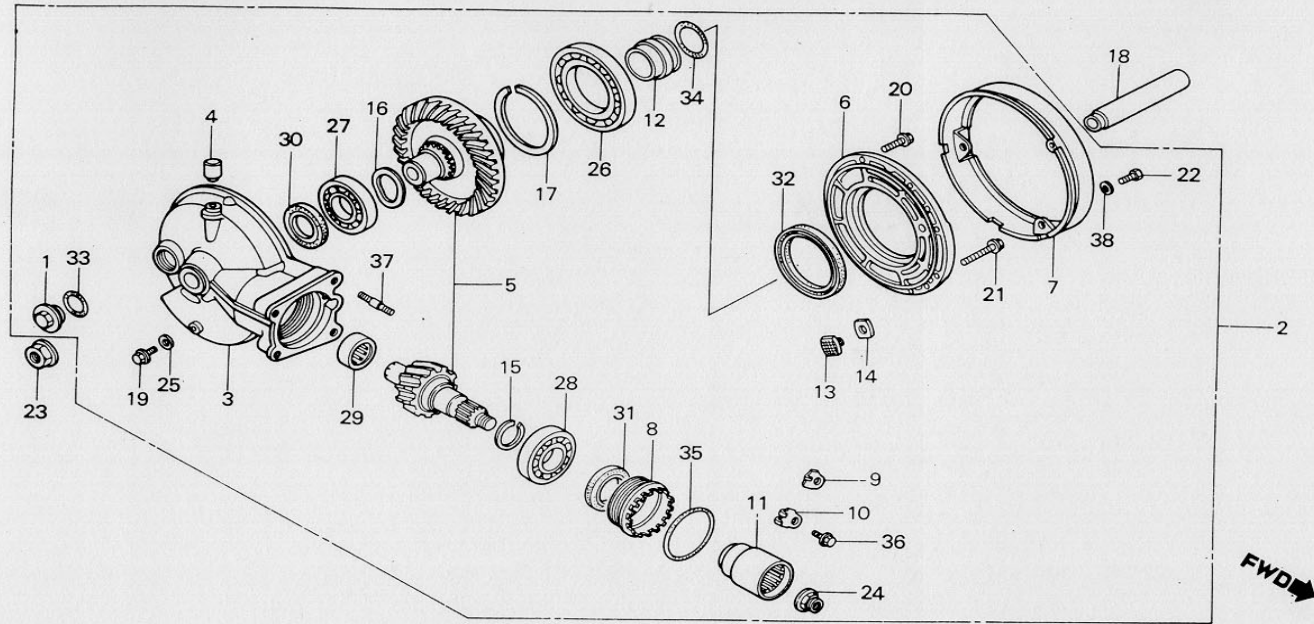
G 12

F-14

Final driven gear

Engrenages de réduction finale

Endantriebsgetriebe



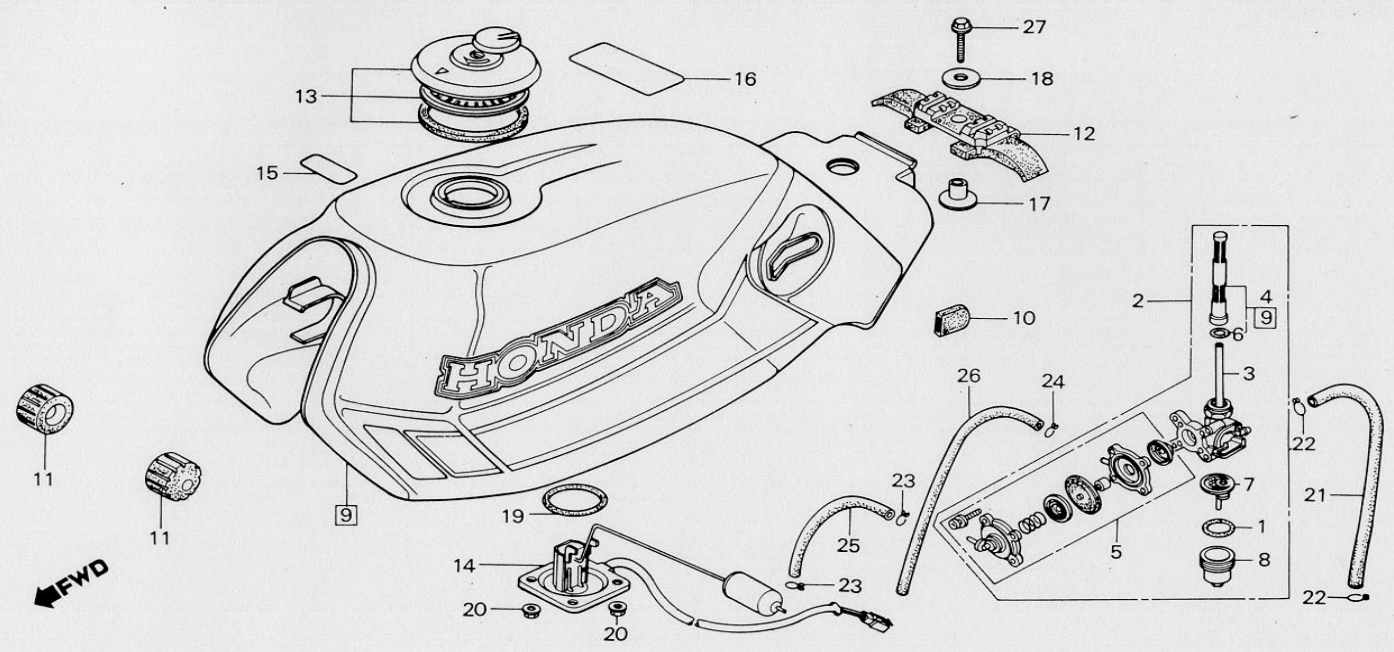
BME2-44A

Service item	F.R.T.	Ref. No.	Part No.	Description	Reqd. No. CX650ED	Serial No.	Area code
		37	92700-08045-0E	BOLT, STUD, 8X45	4		
		38	94101-06800	WASHER, PLAIN, 6MM	1		

G 13

F-15

Fuel tank
 Réservoir d'essence
 Benzintank



BMC5-15B

Service item	F.R.T.	Ref. No.	Part No.	Description	Reqd. No. CX650Ed	Serial No.	Area code
COCK ASSY., AUTOMATIC FUEL	0.2	1	16173-001-004	PACKING, FUEL STRAINER CUP	1		
SCREEN SET, FUEL STRAINER		2	16950-ME2-000	COCK ASSY., AUTOMATIC FUEL	1		
BODY COMP., COCK	0.3	3	16951-MA1-731	BODY COMP., COCK	1		
METER ASSY., FUEL		4	16952-461-771	SCREEN SET, FUEL STRAINER	1		
COVER SET, COCK	0.1	5	16953-449-751	COVER SET, COCK	1		
CUP, FILTER		6	16958-MA1-731	O-RING	1		
TANK SET, FUEL	0.4	7	16959-461-751	CUP, FILTER	1		
		8	16967-GA6-671	CUP, FUEL STRAINER	1		
		9	175A1-MG0-000ZA	TANK SET, FUEL *NH-1*	1		
			175A1-MG0-000ZB	TANK SET, FUEL *NH-121P-A*	1		
			175A1-MG0-000ZC	TANK SET, FUEL *R-124C-U*	1		
		10	17512-MC5-000	RUBBER, SEAT SETTING	2		
		11	17611-286-000	CUSHION, FUEL TANK FR.	2		
		12	17613-MA1-000	CUSHION, FUEL TANK RR.	1		
		13	17620-MC5-610	CAP COMP., FUEL FILLER	1		
			17620-460-037	CAP COMP., FUEL FILLER	1		
		14	37800-MC5-008	METER ASSY., FUEL	1		
		15	87517-MB0-740ZC	LABEL, FR. FORK CAUTION	1		
				(FRENCH)			

G1, G2, ND, SD
 AR, B, CM, E, ED, F, IT, SA, SW, U
 CM, F

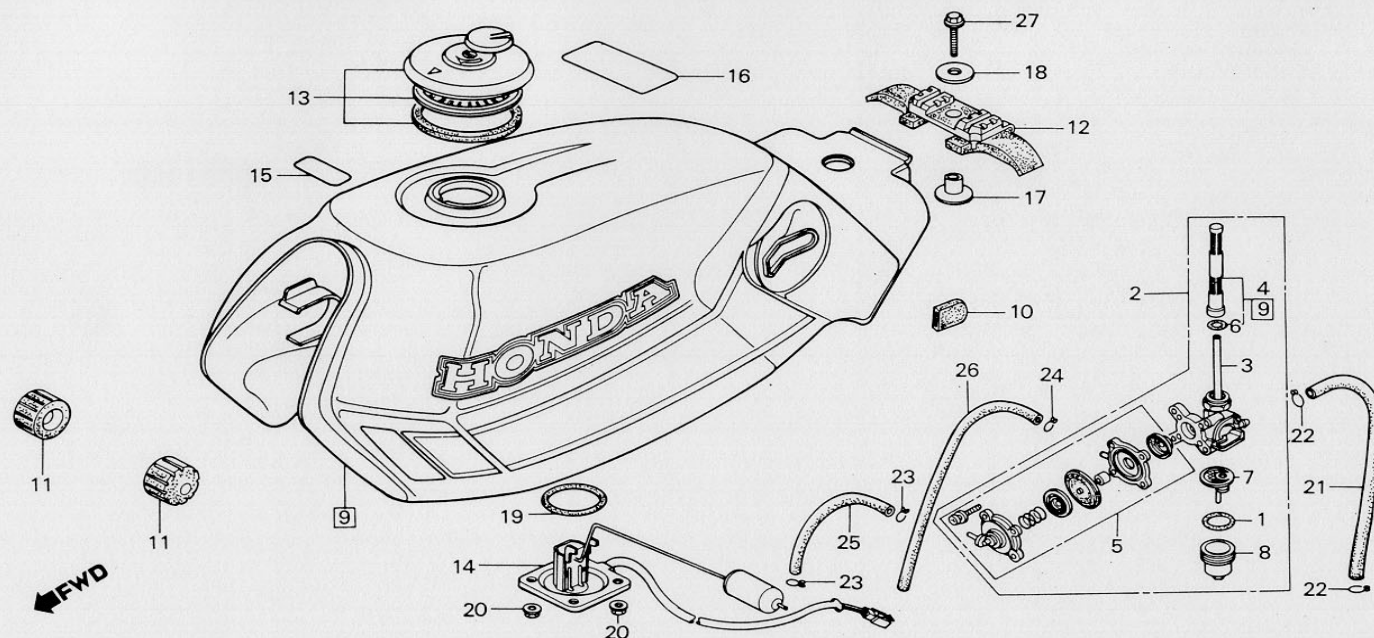
G 14

F-15

Fuel tank

Réservoir d'essence

Benzintank



BMC5-15B

Service item	F.R.T.	Ref. No.	Part No.	Description	Reqd. No. CX650ED	Serial No.	Area code
			87517-MB0-770ZC	LABEL, FR. FORK CAUTION	1		AR,B,CM,E,ED,F,G1,G2,IT,ND,SW,U
			87517-MB0-840ZC	LABEL, FR. FORK CAUTION	1		SA
		16	87560-MB0-620ZA	MARK, DRIVE CAUTION (FRENCH)	1		F
				A-03			
			87560-MB0-670ZA	MARK, DRIVE CAUTION *A-03*	1		AR,B,CM,E,ED,G1,G2,IT,ND,SA,SD,SW
			90324-MA1-000	COLLAR, FUEL TANK MOUNTING	1		U
			90534-011-000	WASHER, 8.3MM	1		
			91305-MC7-000	O-RING, 41X5	1		
			94050-06080	NUT, FLANGE, 6MM	4		
		21	95001-75140-40	TUBE, FUEL, 7.3X140	1		
		22	95002-02070	CLIP B7, TUBE	2		
		23	95002-02120	CLIP B12, TUBE	2		
		24	95002-35000	CLIP C6.5, TUBE	1		
		25	95005-35200-20	TUBE, 3.5X200	1		
		26	95005-35750-30	TUBE, 3.5X750	1		
		27	95700-08028-08	BOLT, FLANGE, 8X28	1		

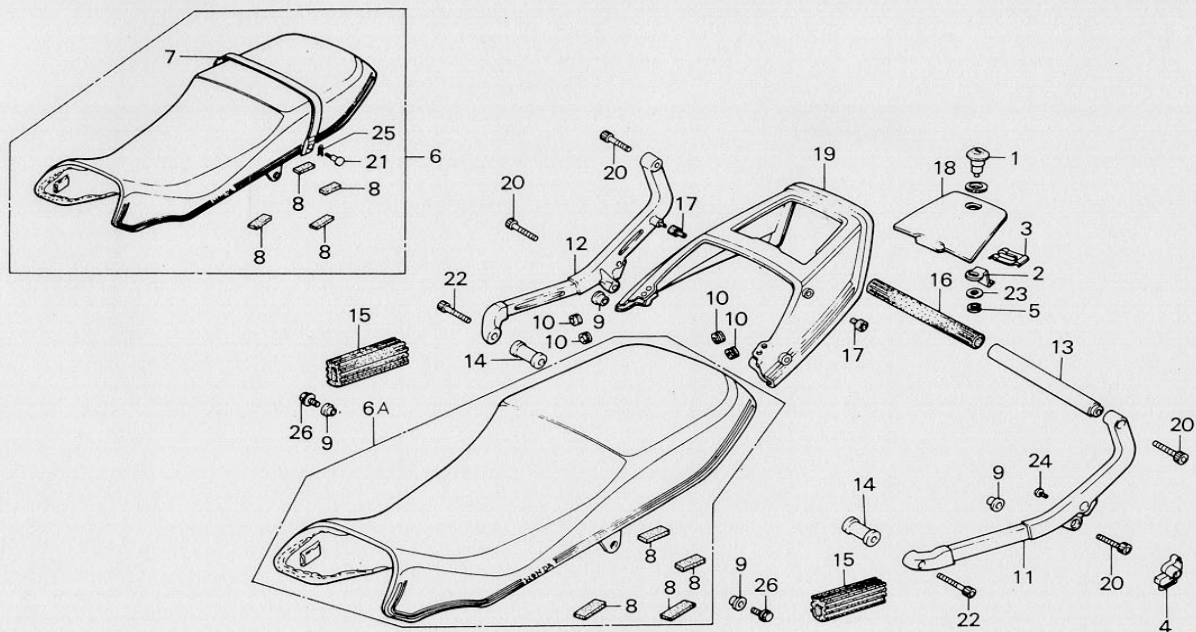
G 15

F-16

Seat

Siege

Sitz



BMC5-16A

Service item	F.R.T.	Ref. No.	Part No.	Description	Reqd. No. CX650ED	Serial No.	Area code
LOCK, SEAT COWL	0.1	1	37220-MC5-003	LOCK, SEAT COWL	1		AR,B,CM,E,ED,F,IT,SA,SW,U
.SEAT COMP., DOUBLE			37220-MC5-611	LOCK, SEAT COWL	1		G1,G2,ND,SD
.GRIP, R. RR.		2	37221-MC5-000	LOCK PLAT	1		
.GRIP, RR. CROSS	0.2	3	37222-MC5-000	PLATE, LOCK	1		
.COVER, SEAT COWL		4	50710-ME7-000	HOLDER ASSY., HELMET	1		AR,B,CM,E,ED,F,IT,SA,SW,U
.HOLDER ASSY., HELMET			50710-ME7-610	HOLDER ASSY., HELMET	1		G1,G2,ND,SD
.GRIP, L. RR.		5	73146-538-000	E-CLIP	1		
.COWL ASSY., RR.		6	77200-MC5-000	SEAT COMP., DOUBLE	1		AR
		6A	77200-MC5-610	SEAT COMP., DOUBLE	1		B,CM,E,ED,F,G1,G2,IT,ND,SA,SD,SW,U
		7	77201-MC5-000	BELT COMP., SEAT	1		AR
		8	77204-312-000	RUBBER, SEAT SETTING	4		
		9	83515-428-000	COLLAR, TOOL BOX	2		AR
					4		B,CM,E,ED,F,G1,G2,IT,ND,SA,SD,SW,U
	10	83551-240-300	GROMMET, AIR CLEANER CASE	4			
	11	83601-ME7-000	GRIP, L. RR.	1			
	12	83602-MC7-000	GRIP, R. RR.	1			
	13	83603-MC7-000	GRIP, RR. CROSS	1			
	14	83604-MC7-000	COLLAR, GRIP SIDE	2			
	15	83605-MC7-000	RUBBER A, GRIP	2			
	16	83606-MC7-000	RUBBER B, RR. GRIP	1			

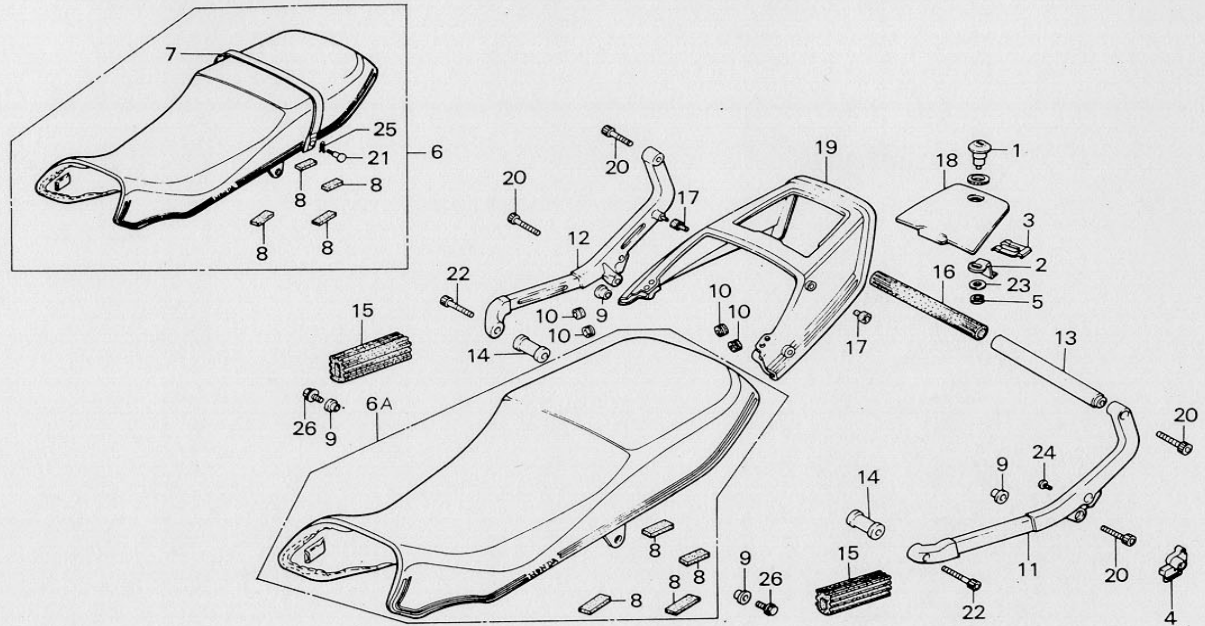
G 16

F-16

Seat

Siege

Sitz



BMC5-16A

Service item	F.R.T.	Ref. No.	Part No.	Description	Reqd. No. CX650Ed	Serial No.	Area code
		17	83607-MC7-000	CAP, RR. GRIP COWL	2		
		18	83704-MC5-000ZA	COVER, SEAT COWL *NH-1*	1		
			83704-MC5-000ZB	COVER, SEAT COWL *NH-121P-A*	1		
			83704-MC5-000ZD	COVER, SEAT COWL *R-124C-U*	1		
		19	83730-MG0-000ZA	COWL ASSY., RR. *NH-1*	1		
			83730-MG0-000ZB	COWL ASSY., RR. *NH-121P-A*	1		
			83730-MG0-000ZC	COWL ASSY., RR. *R-124C-U*	1		
		20	90116-125-782	BOLT, SOCKET, 8MM	4		
		21	90146-MC5-000	SCREW, BAND SETTING	2		AR
		22	90166-MC7-000	BOLT, SOCKET, 8X61	2		
		23	90535-MA3-000	WASHER, SPRING, 10MM	1		
		24	93891-06016-00	SCREW-WASHER, 6X16	1		
		25	94251-06000	PIN, LOCK, 6MM	2		AR
		26	95700-08020-08	BOLT, FLANGE, 8X20	2		

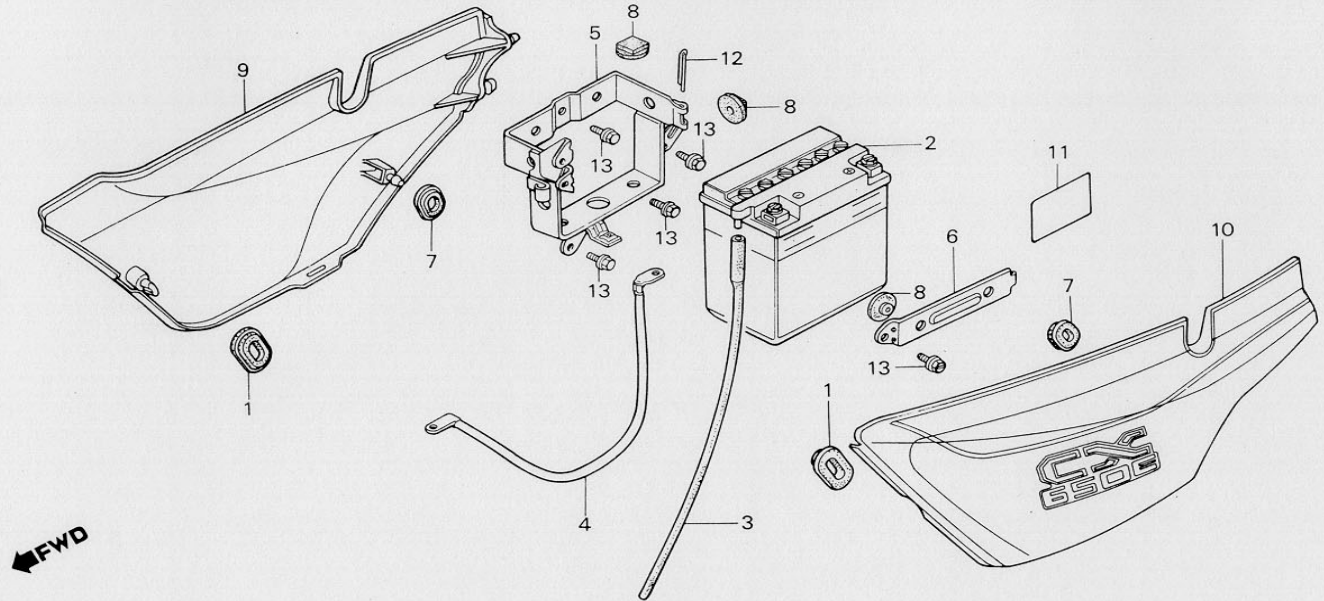


F-17

Side cover · Battery

Couvercle latéral · Batterie

Seitendeckel · Batterie



BMC5-17B

Service item	F.R.T.	Ref. No.	Part No.	Description	Reqd. No. CX650ED	Serial No.	Area code
BATTERY	0.2	1	17247-303-000	GROMMET A, AIR CLEANER CASE	2		
CABLE, BATTERY EARTH		2	31500-461-770	BATTERY (12V14)	1		CM
BAND COMP. A, BATTERY	0.4		31500-461-780	BATTERY (12V14)	1		AR,B,E,ED,F,G1,G2,IT,ND,SA,SD,SW U
		3	31502-MA1-000	TUBE, BATTERY BREATHER	1		
		4	32601-MA1-000	CABLE, BATTERY EARTH	1		
		5	50327-ME2-000	BAND COMP. A, BATTERY	1		
		6	50328-MA1-000	BAND B	1		
		7	83551-300-000	GROMMET, AIR CLEANER CASE	2		
		8	83618-323-000	RUBBER, BATTERY BOX	8		
		9	837A0-MG0-000ZA	COVER SET, R. SIDE *NH-1*	1		CM
			837A0-MG0-000ZB	COVER SET, R. SIDE *NH-121P-A*	1		CM
			837A0-MG0-000ZC	COVER SET, R. SIDE *R-124C-U*	1		CM
			837A0-MG0-610ZA	COVER SET, R. SIDE *NH-1*	1		AR,B,E,ED,F,G1,G2,IT,ND,SA,SD,SW U
			837A0-MG0-610ZB	COVER SET, R. SIDE *NH-121P-A*	1		AR,B,E,ED,F,G1,G2,IT,ND,SA,SD,SW U
			837A0-MG0-610ZC	COVER SET, R. SIDE *R-124C-U*	1		AR,B,E,ED,F,G1,G2,IT,ND,SA,SD,SW U
		10	837B0-MG0-000ZA	COVER SET, L. SIDE *NH-1*	1		CM
			837B0-MG0-000ZB	COVER SET, L. SIDE *NH-121P-A*	1		CM

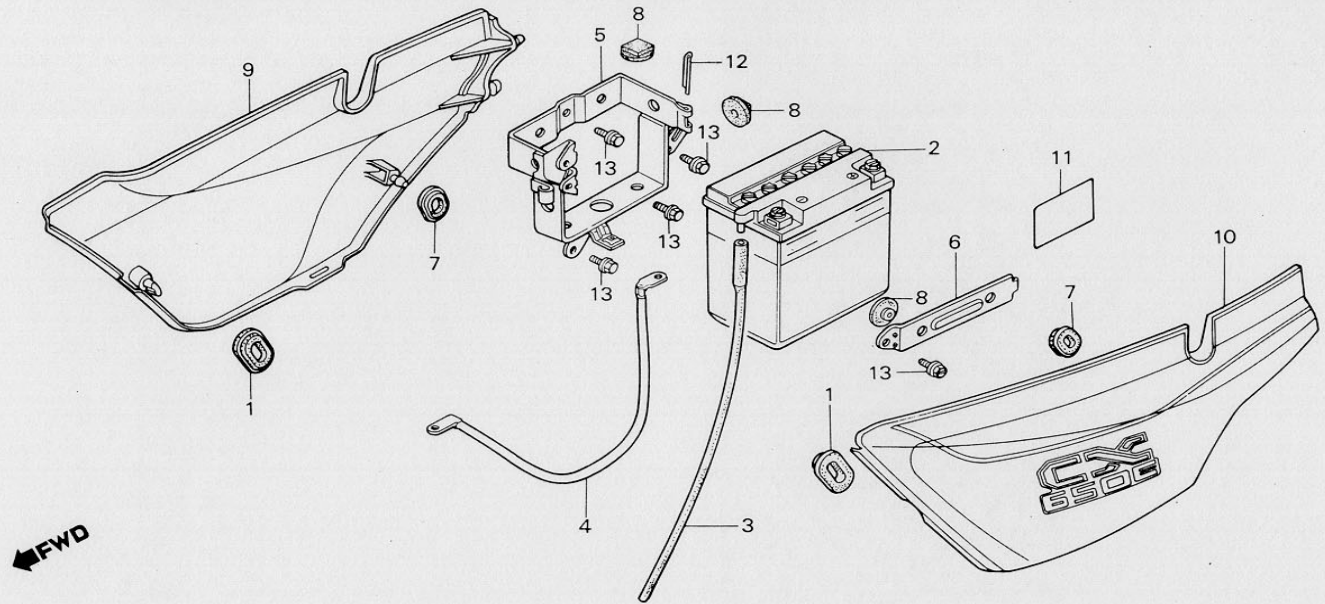
H 2

F-17

Side cover · Battery

Couvercle latéral · Batterie

Seitendeckel · Batterie



BMC5-17B

Service item	F.R.T.	Ref. No.	Part No.	Description	Reqd. No. CX650Ed	Serial No.	Area code
			837B0-MG0-000ZC	COVER SET, L. SIDE *R-124C-U*	1		CM
			837B0-MG0-610ZA	COVER SET, L. SIDE *NH-1*	1		AR,B,E,ED,F,G1,G2,IT,ND,SA,SD,SW
			837B0-MG0-610ZB	COVER SET, L. SIDE *NH-121P-A*	1		U AR,B,E,ED,F,G1,G2,IT,ND,SA,SD,SW
			837B0-MG0-610ZC	COVER SET, L. SIDE *R-124C-U*	1		U AR,B,E,ED,F,G1,G2,IT,ND,SA,SD,SW
		11	87506-MA1-670	MARK, BATTERY CAUTION	1		U AR,B,CM,E,ED,G1,G2,IT,ND,SA,SD,SW
			87506-MA1-720	MARK, BATTERY CAUTION (FRENCH)	1		CM,F
		12	94201-30400	PIN, SPLIT, 3.0X40	1		
		13	95700-06010-08	BOLT, FLANGE, 6X10	5		

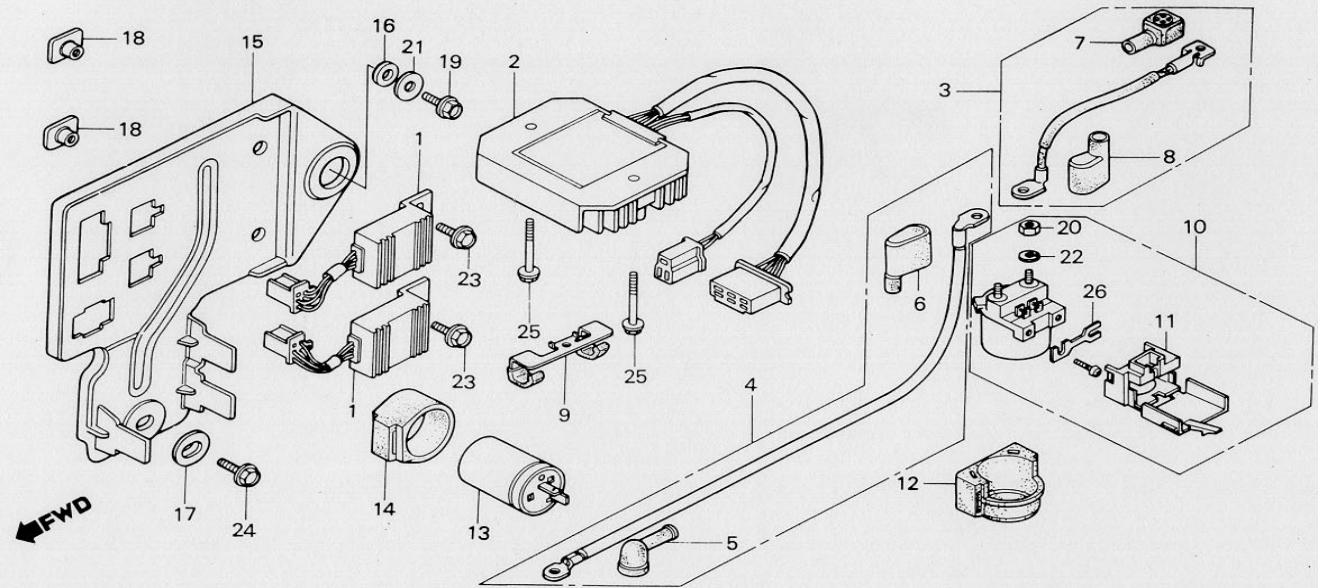
H 3

F-18

Electric plate

Plaque électrique

Elektrische Platte



BME2-27A

Service item	F.R.T.	Ref. No.	Part No.	Description	Reqd. No. CX650ED	Serial No.	Area code
SPARK UNIT (ADD 0.1 FOR EACH.)	0.3	1	30400-MA1-155	SPARK UNIT (NEC)	2		
RECTIFIER ASSY., REGULATOR		2	31600-MA1-008	RECTIFIER ASSY., REGULATOR	1		
CABLE, STARTER BATTERY		3	32401-MA1-730	CABLE, STARTER BATTERY	1		
RELAY COMP., WINKER	0.1	4	32410-ME2-000	CABLE, STARTER MOTOR	1		
CABLE, STARTER MOTOR		5	32411-253-000	COVER, STARTING MOTOR TERMINAL	1		
SWITCH ASSY., STARTER MAGNETIC	0.2	6	32412-ME2-000	COVER, MAGNETIC SWITCH	1		
PLATE, ELECTRIC		7	32414-MA1-730	COVER, MAGNETIC SWITCH TERMINAL	1		
		8	32416-460-000	COVER, TERMINAL	1		
		9	32900-MC5-000	COVER B, MAGNETIC SWITCH	1		
		10	35850-MB0-007	CLIP, CABLE	1		
		11	35852-MB0-007	SWITCH ASSY., STARTER MAGNETIC	1		
		12	35856-MB0-007	COVER, FUSE	1		
		13	38301-404-612	RUBBER, SHOCK	1		
			38301-415-004	RELAY COMP., WINKER (MITSUBA)	1		G1, G2
		14	38306-438-000	RELAY COMP., WINKER (MITSUBA)	1		AR, B, CM, E, ED, F, IT, ND, SA, SD, SW, U
		15	50340-MA1-000	SUSPENSION, WINKER RELAY	1		
		16	50341-MC5-000	PLATE, ELECTRIC	1		
		17	66181-706-000	COLLAR, ELECTRIC PLATE	1		
		18	90301-471-000	COLLAR, DISTANCE	1		
		19	92000-06016-0H	NUT, AIR CLEANER CASE	2		
				BOLT, HEX., 6X16	1		

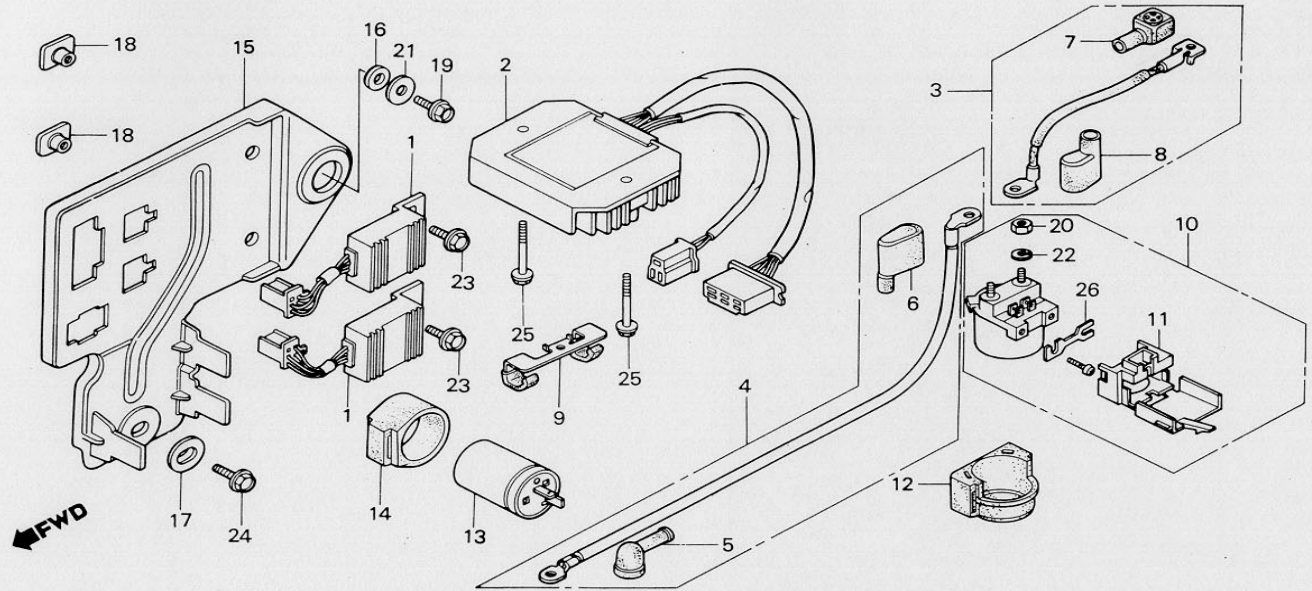
H 4

F-18

Electric plate

Plaque électrique

Elektrische Platte



BME2-27A

Service item	F.R.T.	Ref. No.	Part No.	Description	Reqd. No. CX650Ed	Serial No.	Area code
		20	94002-06080	NUT, HEX., 6MM	4		
		21	94103-06000	WASHER, PLAIN, 6MM	1		
		22	94111-06800	WASHER, SPRING, 6MM	4		
		23	95700-06012-08	BOLT, FLANGE, 6X12	2		
		24	95700-06016-08	BOLT, FLANGE, 6X16	1		
		25	95700-06035-07	BOLT, FLANGE, 6X35	2		
		26	98200-53000	FUSE F (30A)	2		

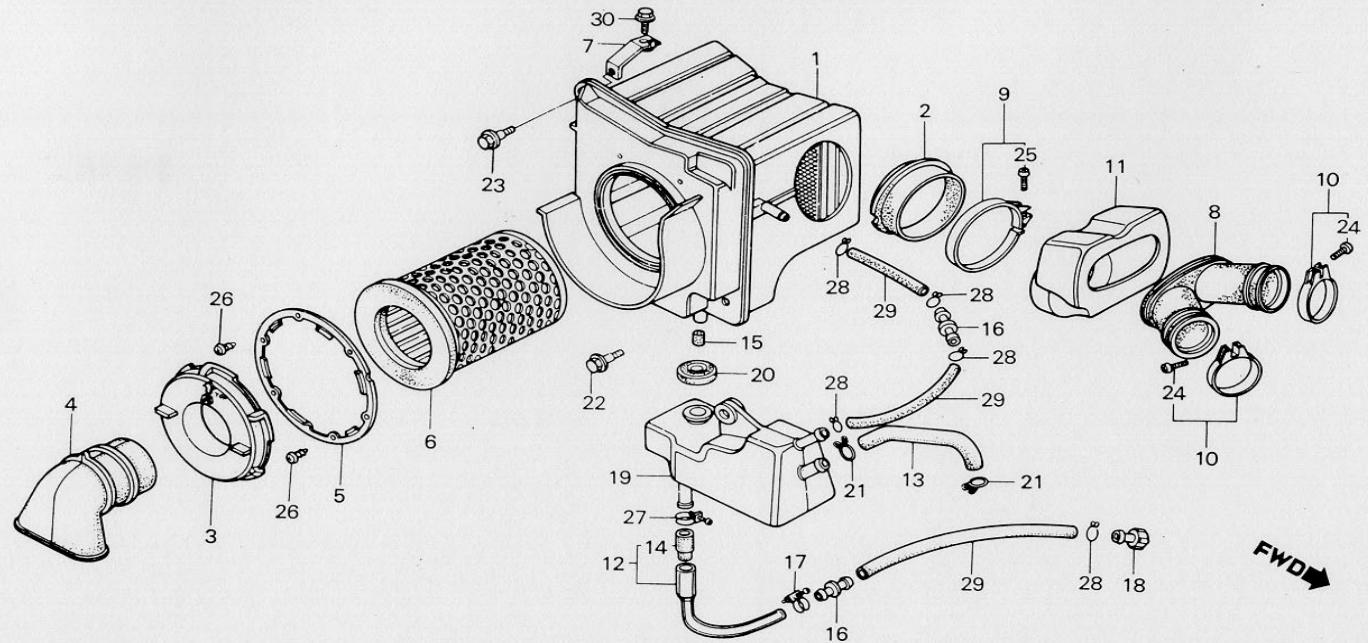
H 5

F-19

Air cleaner

Filtre à air

Luftfilter



BME2-28

Service item	F.R.T.	Ref. No.	Part No.	Description	Reqd. No. CX650Ed	Serial No.	Area code
CASE COMP., AIR CLEANER	0.5	1	17205-MA1-010	CASE COMP., AIR CLEANER	1		CM,SA,U
TUBE, AIR CLEANER CHAMBER	0.4		17205-ME2-610	CASE COMP., AIR CLEANER	1		AR,B,E,ED,F,G1,G2,IT,ND,SD,SW
TUBE, AIR CLEANER CONNECTING		2	17212-ME2-000	TUBE, AIR CLEANER CHAMBER	1		CM,SA,U
TANK, STORAGE			17212-ME2-610	TUBE, AIR CLEANER CHAMBER	1		AR,B,E,ED,F,G1,G2,IT,ND,SD,SW
CAP, AIR CLEANER ELEMENT	0.1	3	17212-415-000	CAP, AIR CLEANER ELEMENT	1		AR,B,E,ED,F,G1,G2,IT,ND,SD,SW
ELEMENT, AIR CLEANER		4	17213-ME2-000	TUBE, AIR CLEANER DUCT	1		CM,SA,U
			17213-ME2-610	TUBE, AIR CLEANER DUCT	1		AR,B,E,ED,F,G1,G2,IT,ND,SD,SW
		5	17214-415-300	HOLDER, CAP	1		
		6	17220-ME2-000	ELEMENT, AIR CLEANER	1		
		7	17231-MA1-000	STAY, AIR CLEANER SETTING	1		
		8	17254-ME2-300	TUBE, AIR CLEANER CONNECTING	1		
		9	17256-ME2-000	BAND, AIR CLEANER SEAL	1		
		10	17256-358-000	BAND B, AIR CLEANER CONNECTING TUBE	2		
		11	17331-ME2-300	CHAMBER, AIR CLEANER	1		
		12	17335-415-670	TUBE ASSY., BREATHER	1		
		13	17336-ME2-000	TUBE, BREATHER	1		
		14	17337-323-300	FILTER	1		
		15	17337-426-300	FILTER	1		
		16	17359-419-670	JOINT, BREATHER TUBE	1		
		17	17369-419-670	CLIP A13.5, TUBE	1		

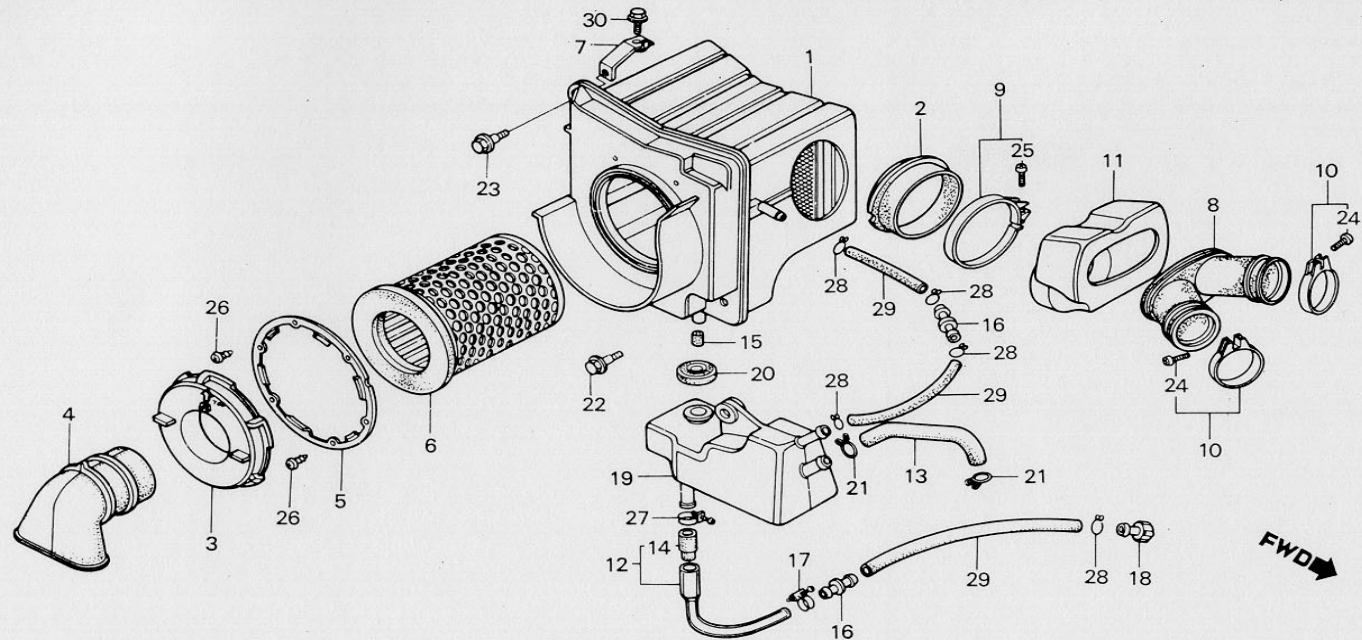
H 6

F-19

Air cleaner

Filtre à air

Luftfilter



BME2-28

Service item	F.R.T.	Ref. No.	Part No.	Description	Reqd. No. CX650ED	Serial No.	Area code
		18	17370-419-700	PLUG, BREATHER TUBE	1		
		19	17551-MA1-000	TANK, STORAGE	1		
		20	17552-MA1-000	GROMMET, STORAGE TANK	1		
		21	18534-634-670	CLIP, AIR HOSE, 16	2		
		22	90111-162-000	BOLT, FLANGE, 6MM	1		
		23	90113-449-000	BOLT, FLANGE, 6X20	1		
		24	93500-04025-0A	SCREW, PAN, 4X25	2		
		25	93500-05020-0G	SCREW, PAN, 5X20	1		
		26	93901-34120	SCREW, TAPPING, 4X8	6		
		27	95002-01150	CLIP A15, TUBE	1		
		28	95002-02130	CLIP B12.5, TUBE	5		
		29	95005-80100-20	TUBE, 8X100	3		
		30	95700-06016-08	BOLT, FLANGE, 6X16	1		

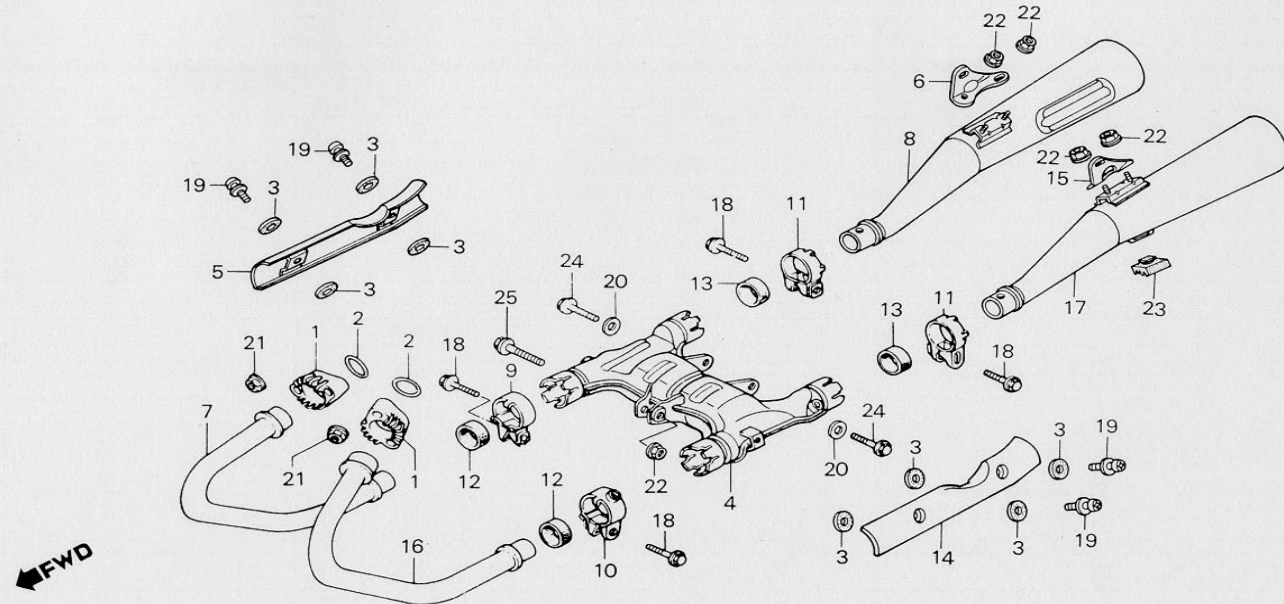
H 7

F-20

Exhaust muffler

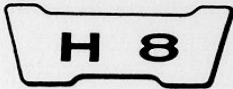
Pot d'échappement

Auspufftopf



BMC5-19

Service item	F.R.T.	Ref. No.	Part No.	Description	Reqd. No. CX650Ed	Serial No.	Area code
CHAMBER COMP., PRE	0.4	1	18231-415-000	JOINT, EX. PIPE	2		
PROTECTOR, R. CHAMBER	0.1	2	18291-286-000	GASKET, EX. PIPE	2		
PIPE, R. EX.		3	18292-415-000	PACKING, PROTECTOR	8		
MUFFLER COMP., R.		4	18310-MG0-003	CHAMBER COMP., PRE	1		AR,B,E,ED,F,G1,G2,IT,ND,SD,SW
PROTECTOR, L. CHAMBER		5	18310-MG0-720	CHAMBER COMP., PRE	1		CM,SA,U
PIPE, L. EX.			18315-MG0-003	PROTECTOR, R. CHAMBER	1		
MUFFLER COMP., L.		6	18318-MG0-000	BRACKET, R. MUFFLER	1		
		7	18320-ME2-003	PIPE, R. EX.	1		AR,B,CM,E,ED,F,IT,ND,SA,SD,U
			18320-ME2-610	PIPE, R. EX.	1		G1
			18320-ME2-710	PIPE, R. EX.	1		G2
			18320-ME2-730	PIPE, R. EX.	1		SW
		8	18330-MG0-610	MUFFLER COMP., R.	1		AR,B,E,ED,F,G1,G2,IT,ND,SD,SW
			18330-MG0-720	MUFFLER COMP., R.	1		CM,SA,U
		9	18373-415-000	BAND, R. FR. MUFFLER	1		
		10	18374-MA1-003	BAND, L. FR. MUFFLER	1		
		11	18375-413-000	BAND, R. RR. MUFFLER	2		
		12	18391-317-000	PACKING, MUFFLER	2		
		13	18392-413-000	PACKING, RR. MUFFLER	2		
		14	18415-MG0-003	PROTECTOR, L. CHAMBER	1		
		15	18418-MG0-000	BRACKET, L. MUFFLER	1		
		16	18420-ME2-003	PIPE, L. EX.	1		AR,B,CM,E,ED,F,IT,ND,SA,SD,U
			18420-ME2-610	PIPE, L. EX.	1		G1
			18420-ME2-710	PIPE, L. EX.	1		G2
			18420-ME2-730	PIPE, L. EX.	1		SW

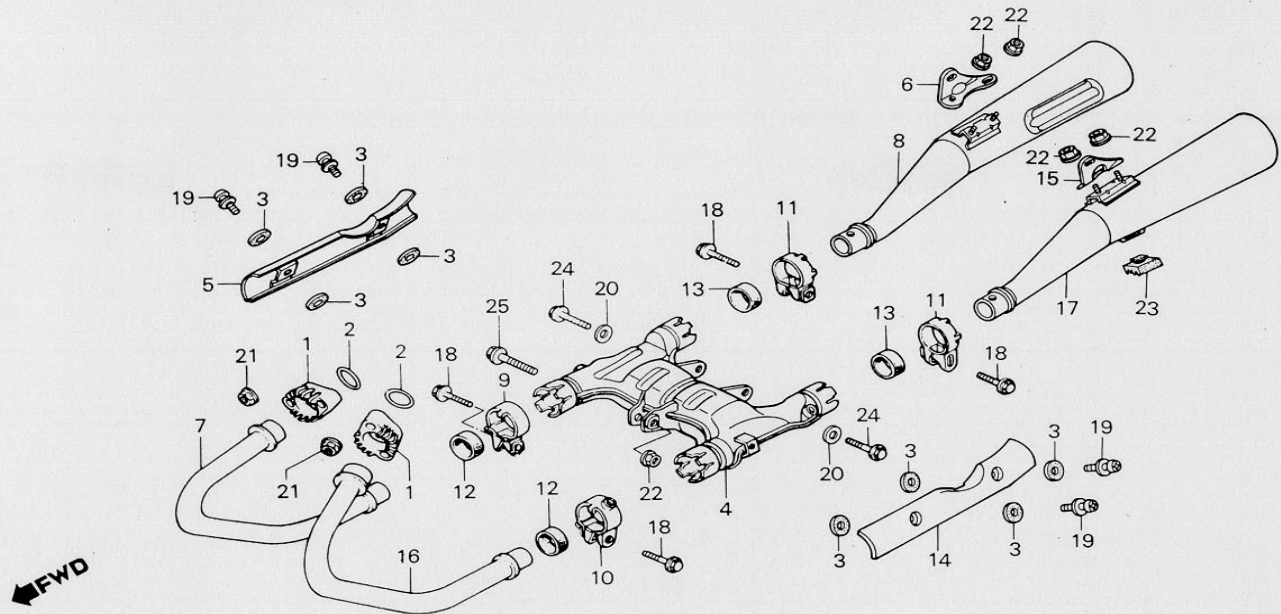


F-20

Exhaust muffler

Pot d'échappement

Auspufftopf



BMC5-19

Service item	F.R.T.	Ref. No.	Part No.	Description	Reqd. No. CX650Ed	Serial No.	Area code
		17	18430-MG0-610	MUFFLER COMP., L.	1		AR,B,E,ED,F,G1,G2,IT,ND,SD,SW CM,SA,U
			18430-MG0-720	MUFFLER COMP., L.	1		
		18	90118-471-000	BOLT, FLANGE, 8X37	4		
		19	90136-415-750	SCREW-WASHER, 6X14	4		
		20	90401-MA1-000	WASHER, LOCK	2		
		21	94050-06000	NUT, FLANGE, 6MM	4		
		22	94050-08080	NUT, FLANGE, 8MM	5		
		23	95011-61000	RUBBER A, STAND STOPPER	1		
		24	95700-08020-08	BOLT, FLANGE, 8X20	2		
		25	95700-08040-08	BOLT, FLANGE, 8X40	1		

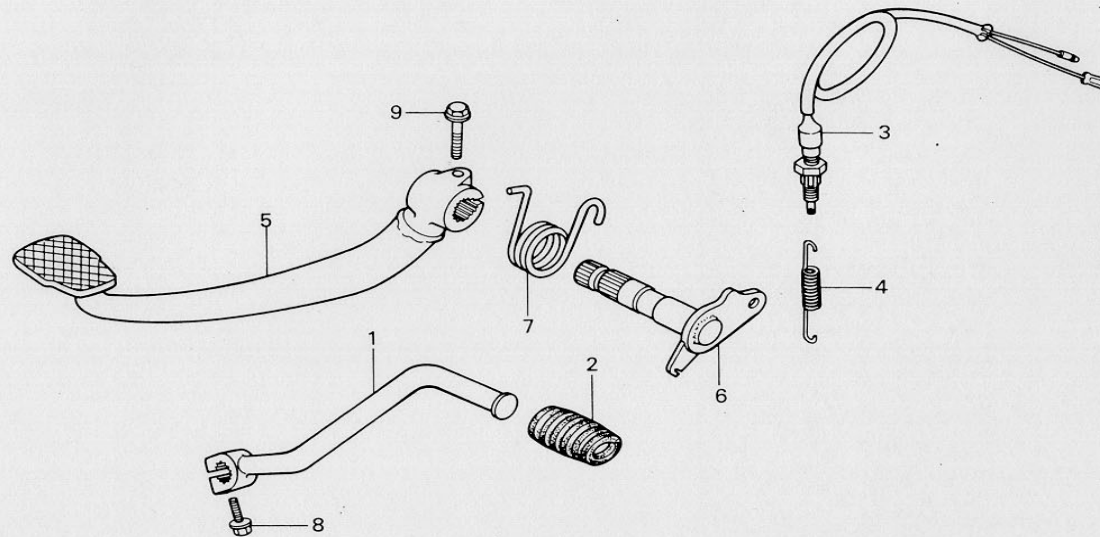


F-21

Brake pedal · Change pedal

Pédale de frein ·
Pédale de changement

Bremspedal · Schaltpedal



BMC5-20

Service item	F.R.T.	Ref. No.	Part No.	Description	Reqd. No. CX650Ed	Serial No.	Area code
PEDAL, GEAR CHANGE	0.1	1	24700-MC5-000	PEDAL, GEAR CHANGE	1		
·SPRING, STOP SWITCH		2	24781-449-000	RUBBER, GEAR CHANGE	1		
·PEDAL COMP., RR. BRAKE		3	35350-MA1-003	SWITCH ASSY., RR. STOP	1		
·SWITCH ASSY., RR. STOP	0.2	4	35357-426-610	SPRING, STOP SWITCH	1		
·SPINDLE COMP., RR. BRAKE	0.3	5	46500-MC5-000	PEDAL COMP., RR. BRAKE	1		
		6	46510-MC7-000	SPINDLE COMP., RR. BRAKE	1		
		7	46514-MC7-000	SPRING, BRAKE PEDAL	1		
		8	95700-06020-00	BOLT, FLANGE, 6X20	1		
		9	95700-06028-00	BOLT, FLANGE, 6X28	1		

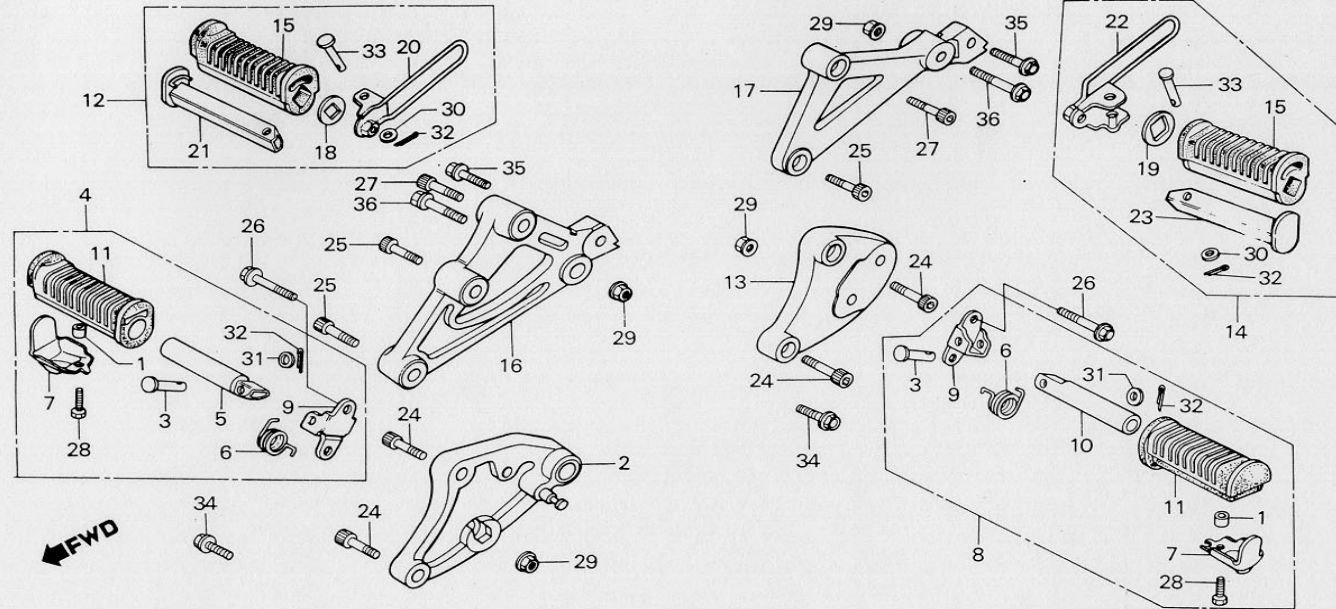
H 10

F-22

Step

Repose pieds

Tritt



BMC5-21A

Service item	F.R.T.	Ref. No.	Part No.	Description	Reqd. No. CX650Ed	Serial No.	Area code
HOLDER, R. STEP	0.2	1	37243-323-000	COLLAR, METER SETTING	2		
HOLDER, L. STEP		2	50601-MC5-000	HOLDER, R. STEP	1		
BRACKET, R. PILLION STEP		3	50603-033-000	PIN, STEP BAR JOINT	2		
BRACKET, L. PILLION STEP		4	50610-MG0-000	STEP ASSY., R.	1		
STEP ASSY., R. (INC. RELATIVE PART)	0.1	5	50612-ME2-000	ARM COMP., R. STEP	1		
STEP ASSY., R. PILLION		6	50617-438-000	SPRING, STEP RETURN	2		
RUBBER, PILLION STEP		7	50619-460-840	STOPPER, STEP RUBBER	2		
BAR, R. PILLION STEP (INC. RELATIVE PART)		8	50620-MG0-000	STEP ASSY., L.	1		
BAR, L. PILLION STEP (INC. RELATIVE PART)		9	50628-438-000	BRACKET, L. STEP	2		
		10	50650-MA5-770	ARM COMP., L. STEP	1		
		11	50661-425-670	RUBBER, STEP	2		
		12	50700-MG0-000	STEP ASSY., R. PILLION	1		
		13	50701-MC7-000	HOLDER, L. STEP	1		
		14	50705-MG0-000	STEP ASSY., L. PILLION	1		
		15	50710-461-770	RUBBER, PILLION STEP	2		
		16	50711-MC7-000	BRACKET, R. PILLION STEP	1		
		17	50712-MC7-000	BRACKET, L. PILLION STEP	1		
		18	50712-438-730	WASHER, R. PILLION STEP	1		
		19	50713-438-730	WASHER, L. PILLION STEP	1		
		20	50715-MC5-000	BRACKET, R. PILLION STEP	1		

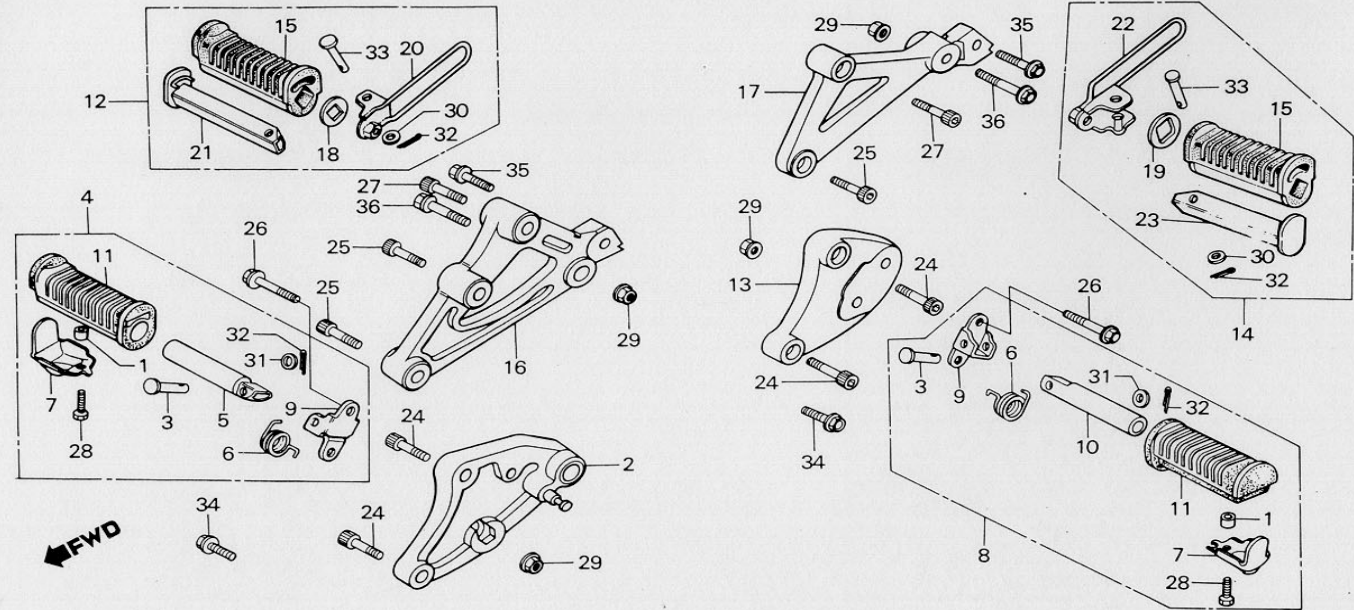
H 11

F-22

Step

Repose pieds

Tritt



BMC5-21A

Service item	F.R.T.	Ref. No.	Part No.	Description	Reqd. No. CX650ED	Serial No.	Area code
		21	50715-460-840	BAR, R. PILLION STEP	1		
		22	50716-MC5-000	BRACKET, L. PILLION STEP	1		
		23	50718-460-840	BAR, L. PILLION STEP	1		
		24	90116-MC7-000	BOLT, SOCKET, 8X28	4		
		25	90117-MC7-000	BOLT, SOCKET, 8X40	3		
		26	90118-471-000	BOLT, FLANGE, 8X37	2		
		27	90125-MC7-000	BOLT, SOCKET, 8X45	2		
		28	92000-06016-1A	BOLT, HEX., 6X16	2		
		29	94001-08000-0S	NUT, HEX., 8MM	4		
		30	94101-06000	WASHER, PLAIN, 6MM	2		
		31	94101-08000	WASHER, PLAIN, 8MM	2		
		32	94201-16150	PIN, SPLIT, 1,6X15	4		
		33	95015-81000	PIN A, PILLION STEP	2		
		34	95700-08022-00	BOLT, FLANGE, 8X22	2		
		35	95700-08028-00	BOLT, FLANGE, 8X28	2		
		36	95700-10040-00	BOLT, FLANGE, 10X40	2		

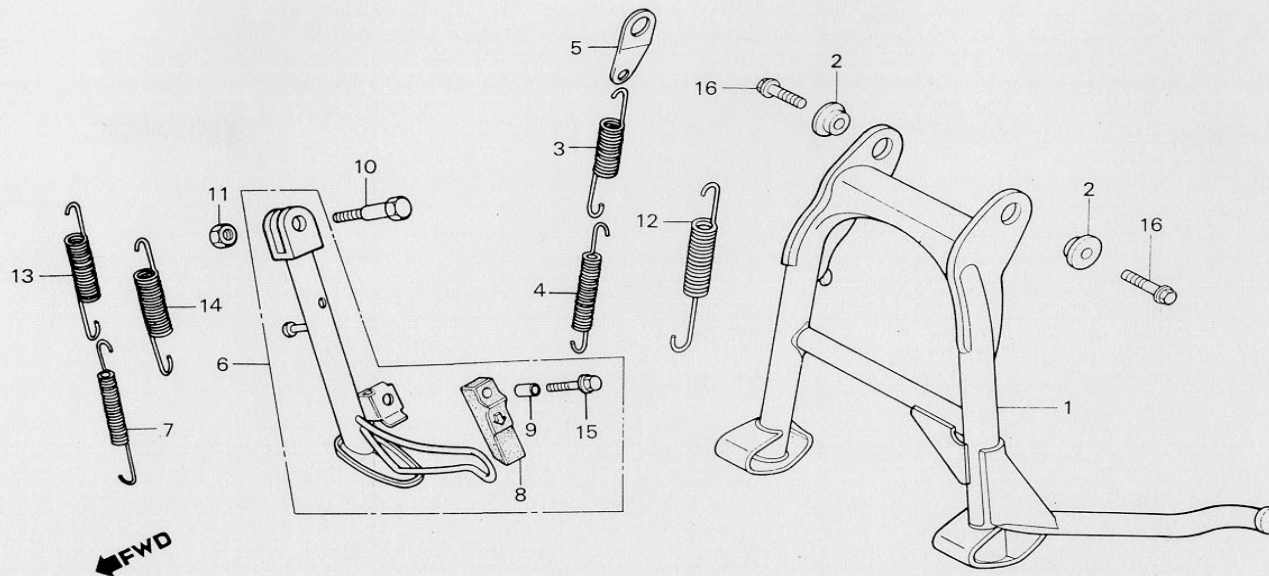
H 12

F-23

Stand

Bequille

Ständer



BMC5-22B

Service item	F.R.T.	Ref. No.	Part No.	Description	Reqd. No. CX650ED	Serial No.	Area code
STAND COMP., MAIN	0.4	1	50500-MG0-000	STAND COMP., MAIN	1		
SPRING, MAIN STAND	0.2	2	50503-MA1-000	COLLAR, MAIN STAND	2		
STAND ASSY., SIDE		3	50510-413-610	SPRING, MAIN STAND	1		G1,G2
SPRING A, SIDE STAND	0.1	4	50520-413-610	SUB SPRING, MAIN STAND	1		G1,G2
		5	50523-415-610	PLATE, MAIN STAND SPRING	1		G1,G2
		6	50540-MG0-000	STAND ASSY., SIDE	1		
		7	50542-438-000	SUB SPRING, SIDE STAND	1		G1,G2
		8	50548-356-700	RUBBER, STAND	1		
		9	50549-356-700	COLLAR, STAND RUBBER SETTING	1		
		10	90108-223-000	SCREW, SIDE STAND PIVOT	1		
		11	94031-10000	NUT, HEX., 10MM	1		
		12	95014-71902	SPRING J, MAIN STAND	1		
		13	95014-72102	SPRING A, SIDE STAND	1		AR,B,CM,E,ED,F,IT,ND,SA,SD,SW,U
		14	95014-72402	SPRING D, SIDE STAND	1		G1,G2
		15	95700-06028-00	BOLT, FLANGE, 6X28	1		AR,B,CM,E,ED,F,IT,ND,SA,SD,SW,U
		16	95800-10025-08	BOLT, FLANGE, 10X25	2		

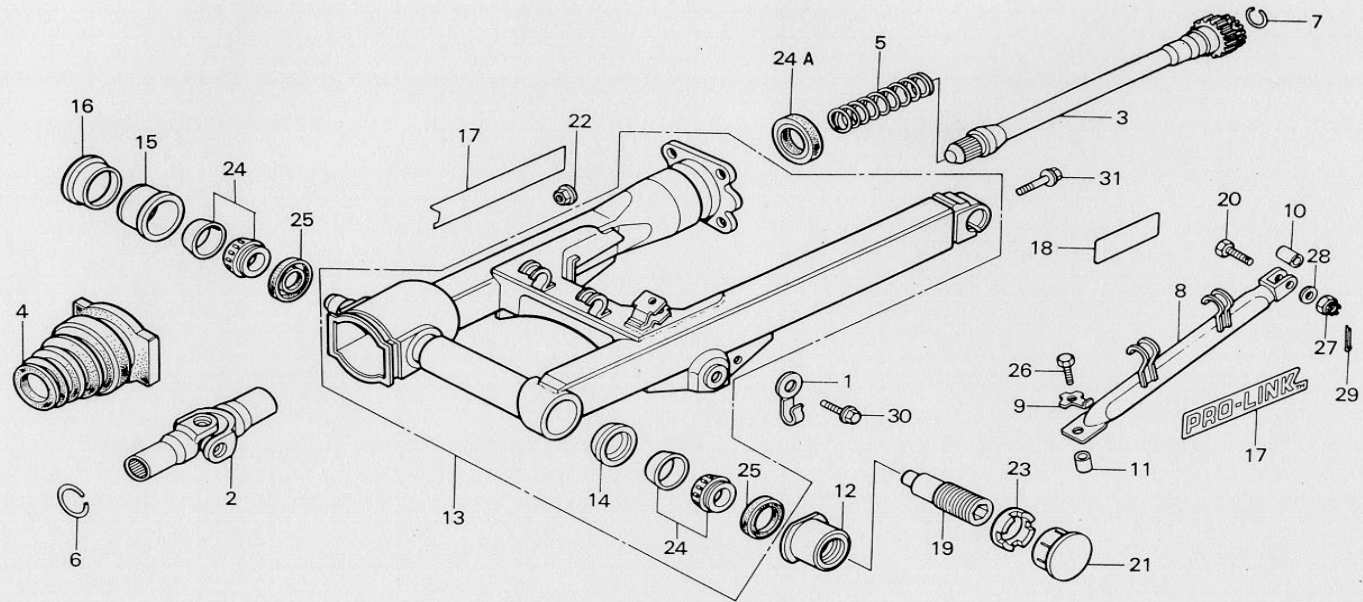
H 13

F-24

Rear fork

Fourche arrière

Hintere Schwinge



BMC5-23A

Service item	F.R.T.	Ref. No.	Part No.	Description	Reqd. No. CX650Ed	Serial No.	Area code
JOINT COMP., YOKE	1.2	1	32921-422-000	CLIP, OVER FLOW TUBE	1		
SHAFT, PROPELLER	0.6	2	40200-MG0-000	JOINT COMP., YOKE	1		
ARM, RR. BRAKE STOPPER	0.3	3	40201-MG0-003	SHAFT, PROPELLER	1		
FORK ASSY., RR.	1.3	4	40207-MA1-000	BOOT, JOINT	1		
BOLT, PIVOT	0.1	5	40215-ME9-003	SPRING, PROPELLER SHAFT	1		
BEARING, 30203J (ONE OR ALL)	1.5	6	40220-ME8-000	RING, YOKE STOPPER	1		
		7	40221-MB0-000	RING, STOPPER	1		
		8	43431-MC5-000	ARM, RR. BRAKE STOPPER	1		
		9	43432-MC5-000	WASHER, RR. BRAKE STOPPER	1		
		10	43435-392-000	COLLAR, LINK	1		
		11	43435-463-000	COLLAR, LINK	1		
		12	50197-MA1-300	NUT, FORK PIVOT	1		
		13	52110-MG0-000	FORK ASSY., RR.	1		
		14	52112-MA1-300	HOLDER, RR. FORK GREASE	1		
		15	52115-MA1-000	HOLDER, RR. FORK PIVOT BEARING	1		
		16	52117-MA1-000	CAP, RR. FORK PIVOT	1		
		17	87133-MA1-000	MARK, PRO LINK	2		
		18	87505-MG0-610	MARK, TIRE CAUTION	1		AR,B,E,ED,G1,G2,IT,ND,SD,SW,U
			87505-MG0-620	MARK, TIRE CAUTION (FRENCH)	1		F
			87505-MG0-690	MARK, TIRE CAUTION	1		SA
			87505-MG0-720	MARK, TIRE CAUTION	1		CM
			87505-MG0-750	MARK, TIRE CAUTION	1		CM
		19	90121-MA1-000	BOLT, PIVOT	1		

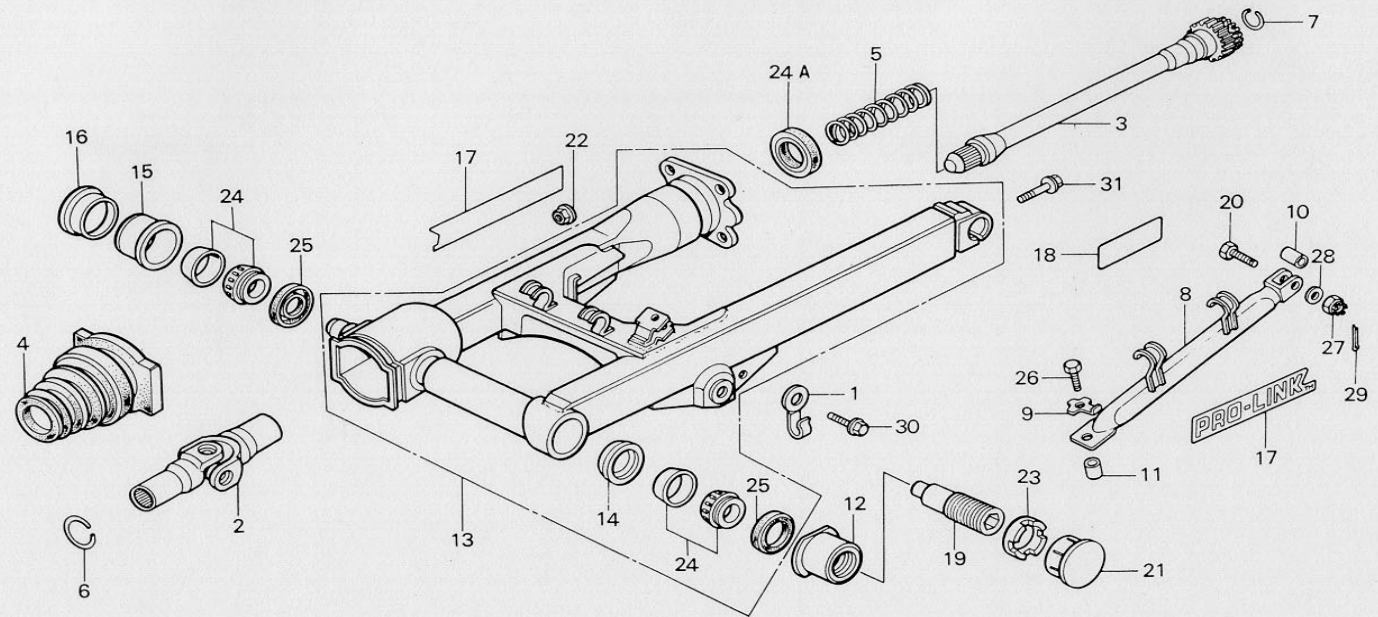
H 14

F-24

Rear fork

Fourche arrière

Hintere Schwinge



BMC5-23A

Service item	F.R.T.	Ref. No.	Part No.	Description	Reqd. No. CX650ED	Serial No.	Area code
		20	90124-392-000	BOLT, RR, BRAKE STOPPER ARM	1		
		21	90303-463-010	CAP, LOCK NUT	1		
		22	90309-357-000	NUT, UBS, 8MM	4		
		23	90355-MA1-000	NUT, RR, FORK PIVOT	1		
		24	91066-MC7-003	BEARING, 30203J	2		
			91066-MC7-004	BEARING, 30203J	2		
		24A	91261-ME9-005	SEAL, OIL, 27X43X7	1		
		25	91268-463-003	DUST SEAL, 26X40X5	2		
		26	92100-08028-0A	BOLT, HEX., 8X28	1		
		27	94011-08000-0S	NUT, CASTLE, 8MM	1		
		28	94101-08000	WASHER, PLAIN, 8MM	1		
		29	94201-20150	PIN, SPLIT, 2.0X15	1		
		30	95700-06012-07	BOLT, FLANGE, 6X12	1		
		31	95700-08032-00	BOLT, FLANGE, 8X32	1		

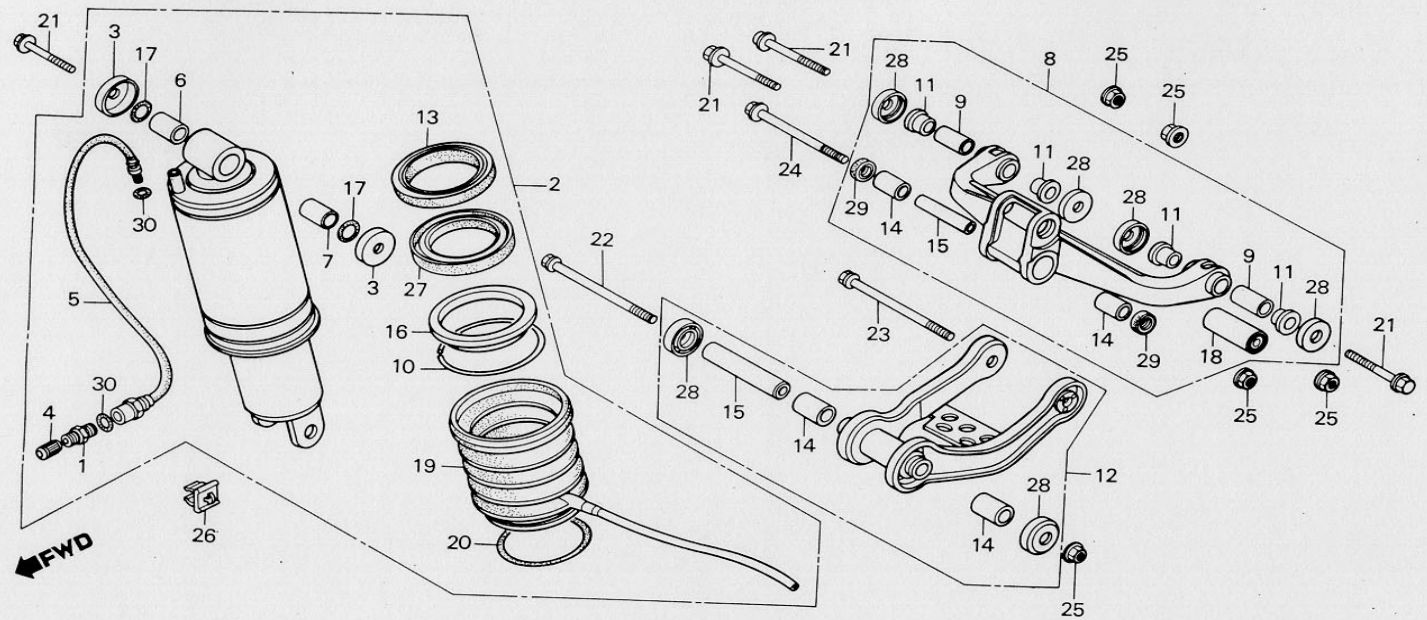
H 15

F-25

Rera cushion

Amortisseur arrière

Hinterer Stoßdämpfer



BMC5-24

Service item	F.R.T.	Ref. No.	Part No.	Description	Reqd. No. CX650Ed	Serial No.	Area code
VALVE COMP., AIR	0.1	1	51456-469-013	VALVE COMP., AIR (SHOWA)	1		
CUSHION ASSY., RR.	0.5	2	52400-MG0-003	CUSHION ASSY., RR.	1		
BOOT COMP., RR. CUSHION		3	52406-MA1-611	CAP	1		
HOSE, RR. CUSHION	0.3	4	52425-169-003	CAP, AIR VALVE (SHOWA)	1		
ARM ASSY., CUSHION		5	52432-MA1-003	HOSE, RR. CUSHION (SHOWA)	1		
ROD ASSY., CUSHION CONNECTING	0.4						
OIL SEAL, 65X80X10.5	0.9						
		6	52452-MA1-611	METAL, BUSH	1		
		7	52453-MA1-731	COLLAR, BUSH	1		
		8	52460-MC7-000	ARM ASSY., CUSHION	1		
		9	52462-MA2-000	COLLAR, CONNECTING ROD PIVOT	2		
		10	52463-MC7-003	RING B, STOPPER	1		
		11	52465-MC7-300	BUSH, CONNECTING ROD	4		
		12	52470-MA1-010	ROD ASSY., CUSHION CONNECTING	1		
		13	52472-MC7-003	CASE, GUIDE	1		
		14	52474-MA1-003	BUSH, CUSHION CONNECTING ROD	4		
		15	52475-MA1-000	COLLAR, CONNECTING ROD	2		
		16	52477-MC7-003	RING, BACK UP	1		
		17	52478-MC7-003	O-RING, 14.5X1.5	2		
		18	52485-MA2-003	BUSH, DAMPER	1		
		19	52611-MC7-003	BOOT COMP., RR. CUSHION	1		
		20	52612-MA2-003	BAND, BOOT	1		
		21	90152-MA1-000	BOLT, FLANGE, 10X64	3		
		22	90153-MA1-000	BOLT, UBS, 10X100	1		
		23	90154-MA1-000	BOLT, UBS, 10X96	1		

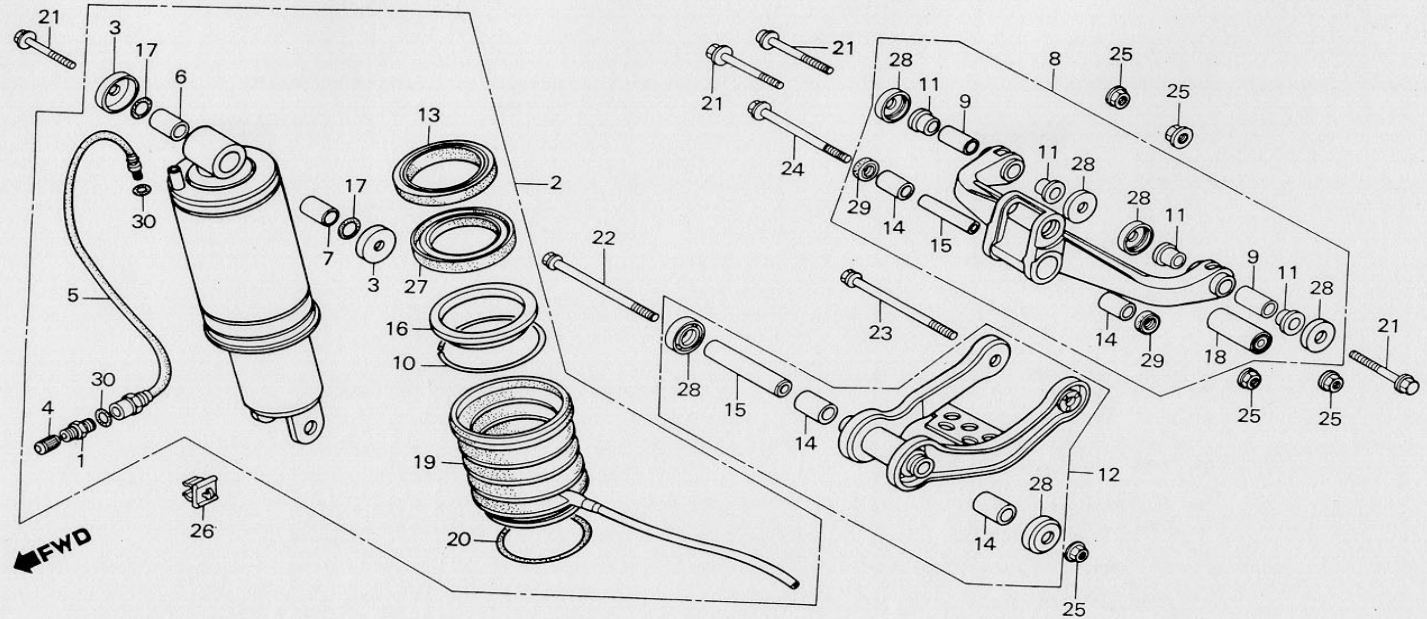
H 16

F-25

Rera cushion

Amortisseur arrière

Hinterer Stoßdämpfer



BMC5-24

Service item	F.R.T.	Ref. No.	Part No.	Description	Reqd. No. CX650Ed	Serial No.	Area code
		24	90189-MA2-003	BOLT D, FLANGE	1		
		25	90304-GA6-003	NUT, AXLE	5		
		26	90662-MA1-003	CLIP, HOSE	1		
		27	91257-MC7-003	OIL SEAL, 65X80X10.5	1		
		28	91262-MA0-013	SEAL, RR. CUSHION CONNECTING ROD PIVOT	6		
			91262-MA0-015	SEAL, RR. CUSHION CONNECTING ROD PIVOT	6		
		29	91262-MA1-005	DUST SEAL, CONNECTING ROD PIVOT	2		
		30	91301-469-003	O-RING, 5.8X1.9	3		

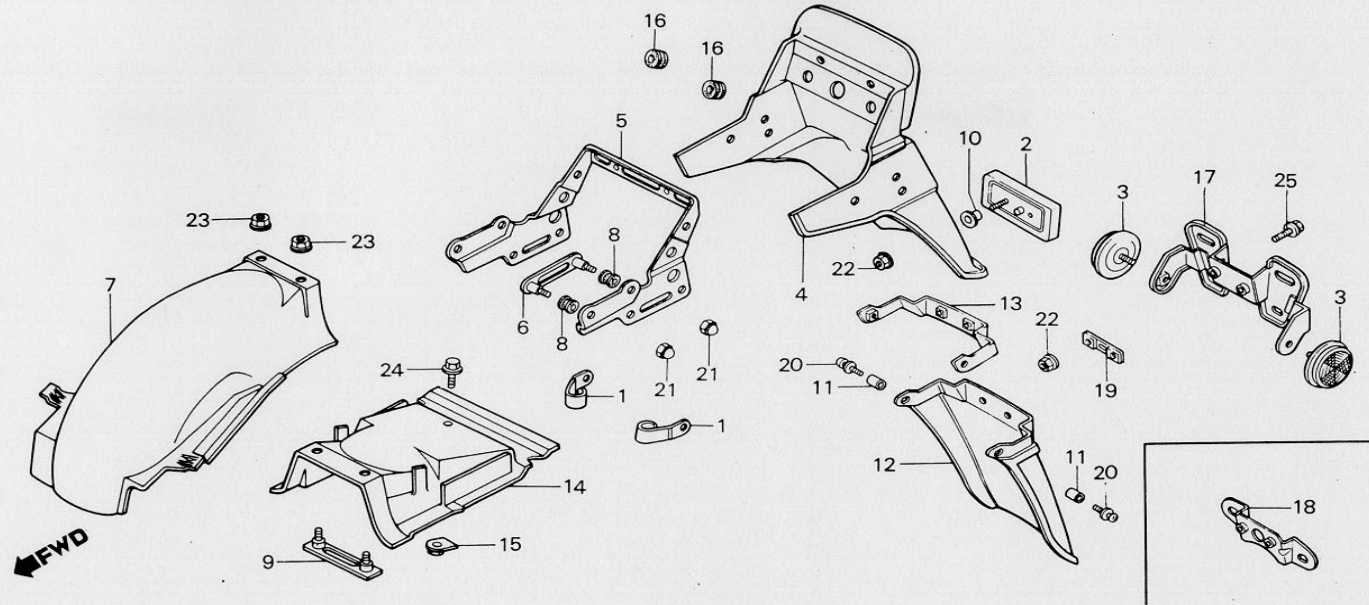


F-26

Rear fender

Garde-boue arrière

Hinterer Kotflügel



BMC5-25B

Service item	F.R.T.	Ref. No.	Part No.	Description	Reqd. No. CX650ED	Serial No.	Area code
FENDER A, RR.	0.5	1	32112-191-000	CLIP, WIRE	2		
STAY, TAILLIGHT	0.4	2	33741-MC7-611	REFLECTOR, REFLEX	1		AR,B,E,ED,F,G1,G2,IT,ND,SD,SW
FENDER B, RR.	0.3		33741-415-601	REFLECTOR, RR. REFLEX	1		CM,SA,U
FENDER C, RR.				(STANLEY)			
MUDGUARD, RR. FENDER	0.1	3	33741-148-871	REFLECTOR, RR. REFLEX	2		CM
BRACKET, NUMBER PLATE		4	80100-ME7-000	FENDER A, RR.	1		CM,SA,U
			80100-ME7-610	FENDER A, RR.	1		AR,B,E,ED,F,G1,G2,IT,SD
			80100-ME7-640	FENDER A, RR.	1		ND,SW
		5	80101-MC5-000	STAY, TAILLIGHT	1		
		6	80102-MC5-000	PLATE, RR. FENDER	2		
		7	80105-MC7-000	FENDER B, RR.	1		
		8	80106-028-010	CUSHION B, RR. FENDER	4		
		9	80110-MC5-000	PLATE, RR. FENDER	1		
		10	80114-MC7-000	COLLAR, RR. FENDER	1		
		11	80115-MC7-640	COLLAR, RR. MUDGUARD	3		ND,SW
		12	80121-ME7-640	MUDGUARD, RR. FENDER	1		ND,SW
		13	80122-ME7-640	STAY, MUDGUARD	1		ND,SW
		14	80205-MC5-000	FENDER C, RR.	1		
		15	80206-MC5-000	PATCH, RR. FENDER	1		
		16	83551-385-000	GROMMET, SIDE COVER	2		
		17	84701-MC7-670	BRACKET, NUMBER PLATE	1		CM
		18	84701-MG0-000	BRACKET, NUMBER PLATE	1		SA,U
		19	84702-MA1-000	BRACKET, NUMBER PLATE	1		CM,SA,U
		20	93891-05016-07	SCREW-WASHER, 5X16	2		ND,SW
		21	94021-06070-05	NUT, CAP, 6MM	4		
		22	94050-05080	NUT, FLANGE, 5MM	1		AR,B,E,ED,F,G1,G2,IT,ND,SD,SW
					2		CM,SA,U
		23	94050-06080	NUT, FLANGE, 6MM	2		
		24	95700-06012-08	BOLT, FLANGE, 6X12	1		
			1982.10.01	E	11		

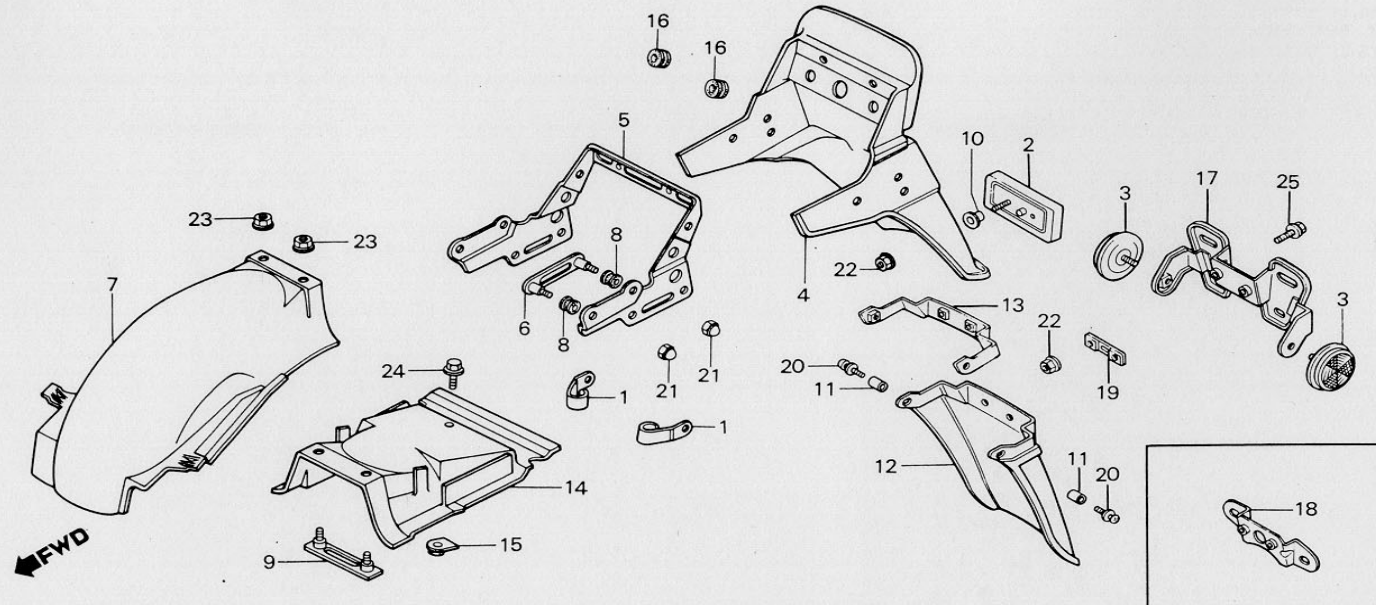
1 2

F-26

Rear fender

Garde-boue arrière

Hinterer Kotflügel



BMC5-25B

Service item	F.R.T.	Ref. No.	Part No.	Description	Reqd. No. CX650Ed	Serial No.	Area code
		25	95700-06016-00	BOLT, FLANGE, 6X16	2		CM,SA,U

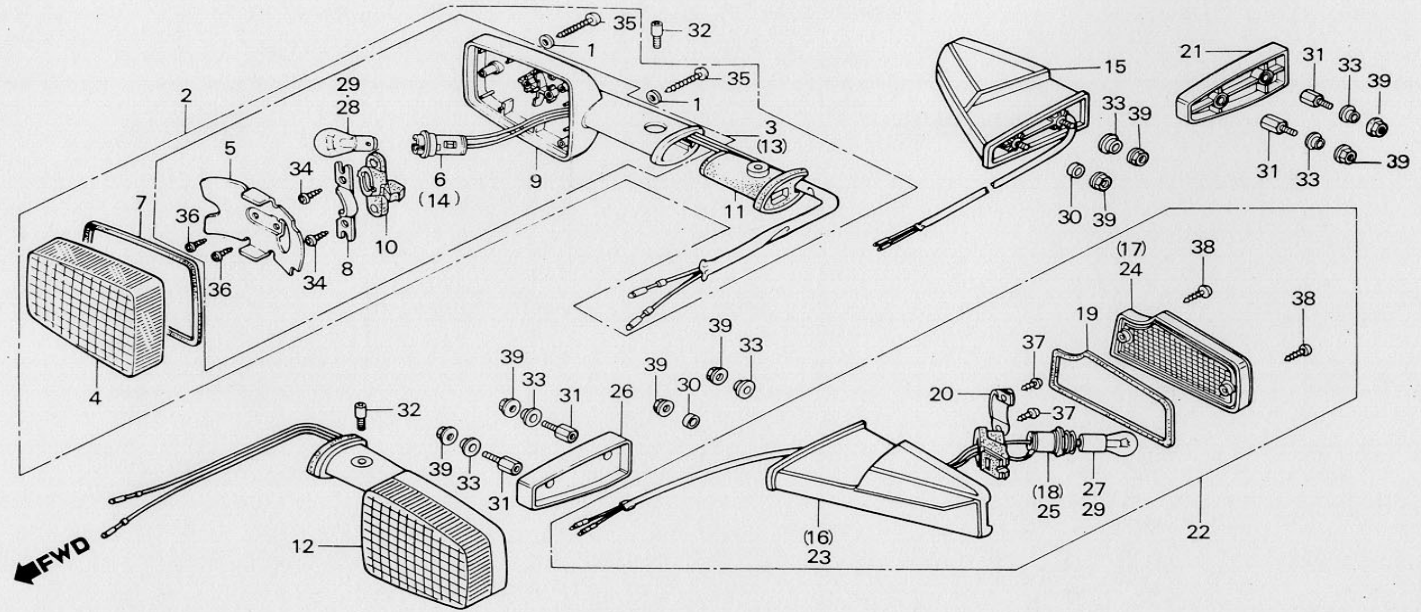
I 3

F-27

Winker

Clignotant

Rlinker



BMC5-26B

Service item	F.R.T.	Ref. No.	Part No.	Description	Reqd. No. CX650ED	Serial No.	Area code	
WINKER ASSY. (ADD 0.1 FOR EACH.) (INC. RELATIVE PART) (EXC. RELATED PARTS BELOW) BULB, WINKER (WHEN SERVICING COMP., UNIT, F.R.T. IS 0.2.)	0.2	1	33318-567-003	WASHER	6			
		2	33400-MC5-010	WINKER ASSY., R. FR.	1		SA,U	
	0.1			33400-MC5-601	WINKER ASSY., R. FR.	1		AR,B,E,ED,F,G1,G2,IT,SD,SW
				33400-MC5-681	WINKER ASSY., R. FR.	1		ND
				33400-MG0-720	WINKER ASSY., R. FR.	1		CM
		3	33401-MC5-010	BASE COMP., FR. WINKER	1		U	
				33401-MC5-601	BASE COMP., FR. WINKER	1		AR,B,E,ED,F,G1,G2,IT,ND,SA,SD,SW
				33401-MG0-720	BASE COMP., R. FR.	1		CM
		4	33402-431-782	LENS, WINKER	2			AR,B,E,ED,F,G1,G2,IT,ND,SA,SD,SW
		5	33403-425-003	REFLECTOR, WINKER	2			U
				33403-431-782	REFLECTOR, WINKER	2		CM
		6	33405-MC5-010	SOCKET COMP., R. FR. WINKER	1			AR,B,E,ED,F,G1,G2,IT,ND,SA,SD,SW
		33405-MG0-720	SOCKET COMP., R. FR.	1		U		
		33406-431-781	PACKING, WINKER LENS	2		CM		
		8	33407-431-781	HOLDER, SOCKET	2			
		9	33409-445-631	BASE, WINKER	2			
		10	33411-431-782	RUBBER, SOCKET	2			
		11	33417-445-631	RUBBER, FR. WINKER MOUNTING	2		AR,B,CM,E,ED,F,G1,G2,IT,SA,SD,SW	
			33609-445-631	RUBBER, RR. WINKER MOUNTING	2		U	
		12	33450-MC5-010	WINKER ASSY., L. FR.	1		ND	
			33450-MC5-601	WINKER ASSY., L. FR.	1		SA,U	
					1		AR,B,E,ED,F,G1,G2,IT,SD,SW	

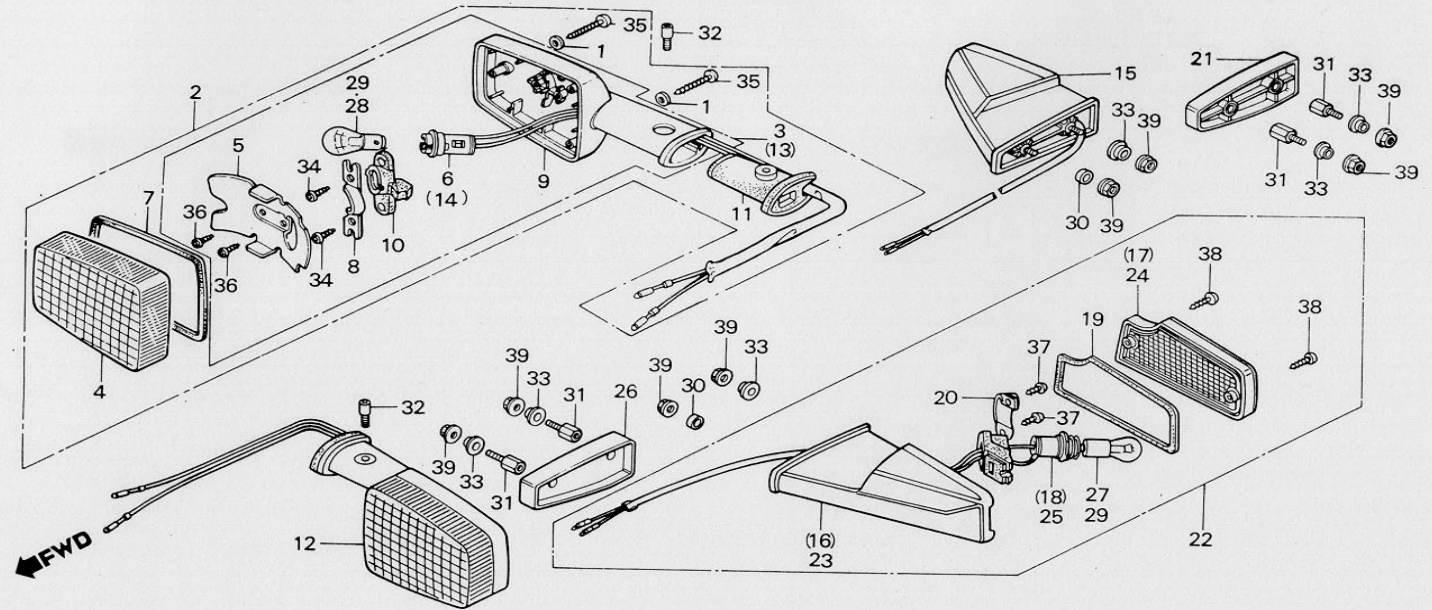
I 4

F-27

Winker

Clignotant

Rlinker



BMC5-26B

Service item	F.R.T.	Ref. No.	Part No.	Description	Reqd. No. CX650ED	Serial No.	Area code
			33450-MC5-681	WINKER ASSY., L. FR.	1		ND
			33450-MG0-720	WINKER ASSY., L. FR.	1		CM
		13	33451-MC5-010	BASE COMP., L. FR.	1		U
			33451-MC5-601	BASE COMP., L. FR.	1		AR,B,E,ED,F,G1,G2,IT,ND,SA,SD,SW
			33451-MG0-720	BASE COMP., L. FR.	1		CM
		14	33455-MC5-010	SOCKET COMP., L. FR. WINKER	1		AR,B,E,ED,F,G1,G2,IT,ND,SA,SD,SW
							U
			33455-MG0-720	SOCKET COMP., L. FR.	1		CM
		15	33600-MC7-612	WINKER ASSY., R. RR.	1		AR,B,E,ED,F,G1,G2,IT,ND,SD,SW
			33600-MC7-650	WINKER ASSY., R. RR.	1		SA,U
			33600-MC7-671	WINKER ASSY., R. RR.	1		CM
		16	33601-MC7-611	BASE COMP., R. WINKER	1		
		17	33602-MC7-612	LENS COMP., R. WINKER	1		AR,B,E,ED,F,G1,G2,IT,ND,SD,SW
			33602-MC7-650	LENS COMP., R. WINKER	1		SA,U
			33602-MC7-671	LENS COMP., R. WINKER	1		CM
		18	33603-MC7-611	SOCKET COMP., R. WINKER	1		AR,B,E,ED,F,G1,G2,IT,ND,SA,SD,SW
							U
			33603-MC7-671	SOCKET COMP., R. WINKER	1		CM
		19	33604-MC7-611	PACKING, WINKER	2		
		20	33605-MC7-611	HOLDER, SOCKET	2		
		21	33611-MC7-670	SPACER, R. RR. WINKER	1		CM
		22	33650-MC7-612	WINKER ASSY., L. RR.	1		AR,B,E,ED,F,G1,G2,IT,ND,SD,SW
			33650-MC7-650	WINKER ASSY., L. RR.	1		SA,U

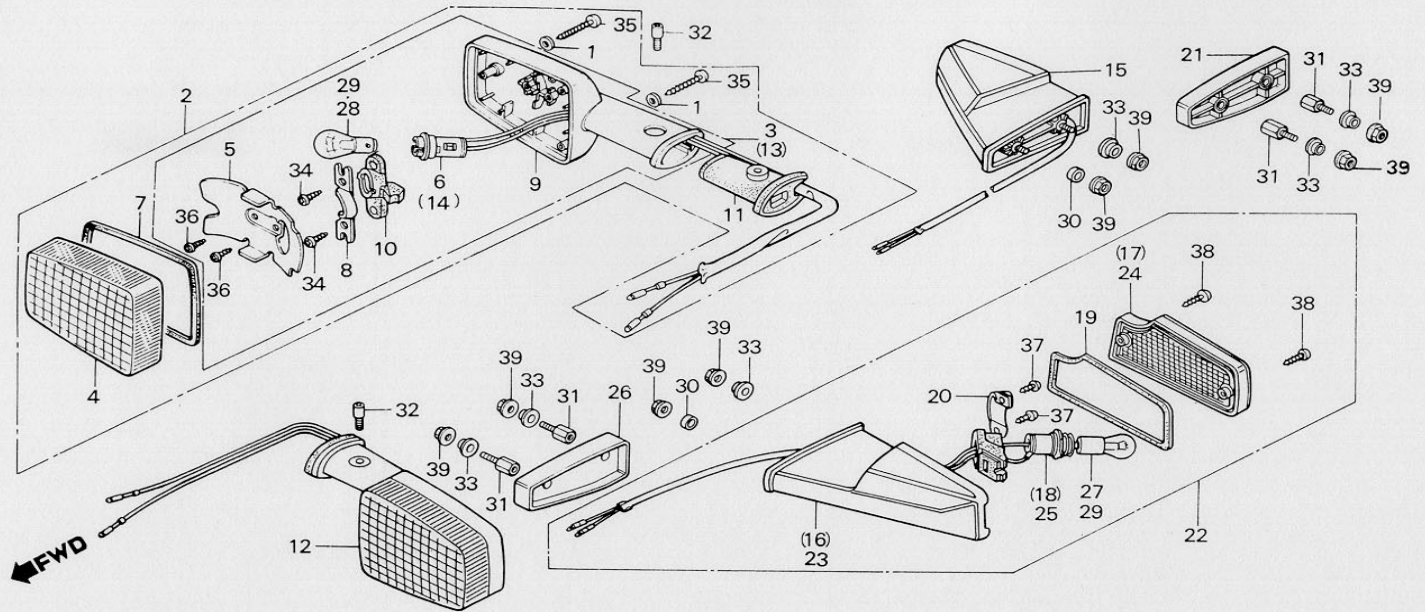
I 5

F-27

Winker

Clignotant

Rlinker



BMC5-26B

Service item	F.R.T.	Ref. No.	Part No.	Description	Reqd. No. CX650ED	Serial No.	Area code
			33650-MC7-671	WINKER, ASSY., L. RR.	1		CM
		23	33651-MC7-611	BASE COMP., L. WINKER	1		
		24	33652-MC7-612	LENS COMP., L. WINKER	1		AR, B, E, ED, F, G1, G2, IT, ND, SD, SW
			33652-MC7-650	LENS COMP., L. WINKER	1		SA, U
			33652-MC7-671	LENS COMP., L. WINKER	1		CM
		25	33653-MC7-611	SOCKET COMP., L. WINKER	1		AR, B, E, ED, F, G1, G2, IT, ND, SA, SD, SW
			33653-MC7-671	SOCKET COMP., L. WINKER	1		U CM
		26	33661-MC7-670	SPACER, L. RR. WINKER	1		CM
		27	34905-268-671	BULB, WINKER (12V23W)	2		CM, SA, U
		28	34905-425-671	BULB, WINKER (12V23/8W STANLEY)	2		CM, SA, U
		29	34908-634-611	BULB (12V21W)	4		AR, B, E, ED, F, G1, G2, IT, ND, SD, SW
		30	52156-353-300	COLLAR, 6X4	2		AR, B, E, ED, F, G1, G2, IT, ND, SA, SD, SW
							U
		31	90122-MC7-670	BOLT, RR. WINKER	4		CM
		32	90380-445-630	SCREW, OVAL, 5X8	2		
		33	90522-170-700	COLLAR, GEARSHIFT LEVER SETTING	2		AR, B, E, ED, F, G1, G2, IT, ND, SA, SD, SW
							U
							CM
		34	93901-24120	SCREW, TAPPING, 4X8	4		
		35	93901-24680	SCREW, TAPPING, 4X25	6		
		36	93901-32020	SCREW, TAPPING, 3X6	4		
		37	93901-34320	SCREW, TAPPING, 4X12	4		
		38	93901-34680	SCREW, TAPPING, 4X25	4		
		39	94050-06080	NUT, FLANGE, 6MM	4		

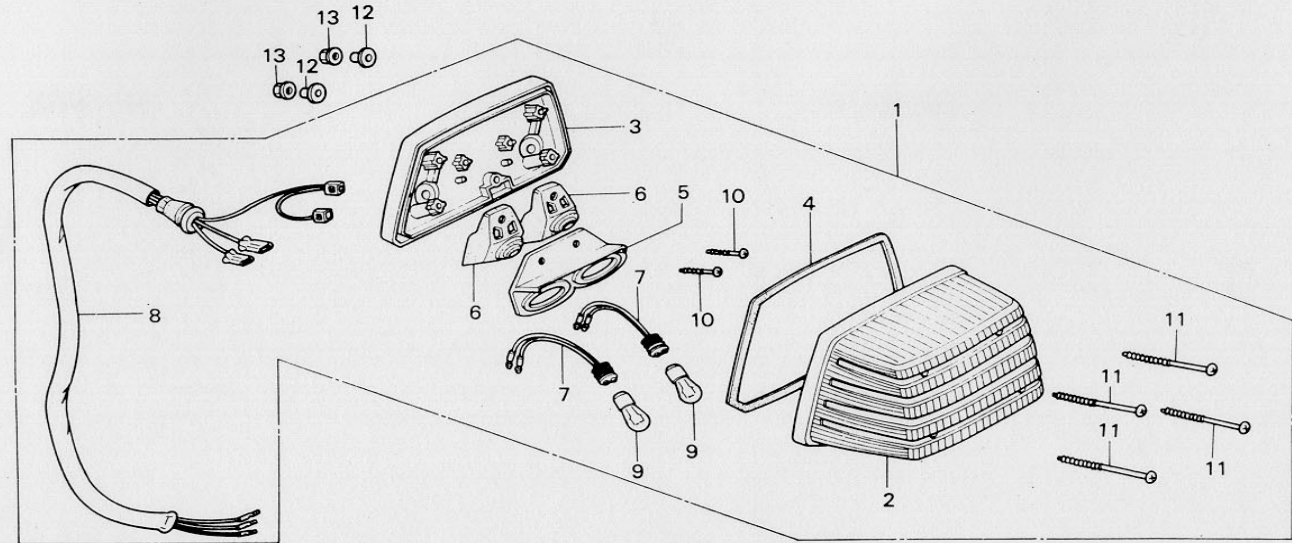
16

F-28

Taillight

Feu arrière

Rücklicht



BMC7-49

Service item	F.R.T.	Ref. No.	Part No.	Description	Reqd. No. CX650ED	Serial No.	Area code
TAILLIGHT UNIT	0.3	1	33701-MC7-602	TAILLIGHT UNIT	1		AR,B,E,ED,F,IT,ND,SD,SW
SUB CORD COMP.			33701-MC7-612	TAILLIGHT UNIT	1		G1,G2
BASE COMP., TAILLIGHT	0.4		33701-MC7-651	TAILLIGHT UNIT	1		SA,U
BULB, TAILLIGHT	0.1		33701-MC7-671	TAILLIGHT UNIT	1		CM
(ONE OR ALL)		2	33702-MC7-602	LENS, TAILLIGHT	1		AR,B,E,ED,F,IT,ND,SD,SW
			33702-MC7-612	LENS, TAILLIGHT	1		G1,G2,SA,U
			33702-MC7-671	LENS, TAILLIGHT	1		CM
		3	33703-MC7-611	BASE COMP., TAILLIGHT	1		
		4	33704-MC7-611	PACKING, TAILLIGHT LENS	1		AR,B,E,ED,F,G1,G2,IT,ND,SA,SD,SW
			33704-MC7-671	PACKING, TAILLIGHT LENS	1		U
			33705-MC7-611	REFLECTOR	1		CM
			33705-MC7-671	REFLECTOR	1		AR,B,E,ED,F,G1,G2,IT,ND,SD,SW
				REFLECTOR	1		CM,SA,U
		6	33706-MC7-611	SOCKET COMP.	2		
		7	33707-MC7-611	CORD COMP.	2		
		8	33708-MC7-611	SUB CORD COMP.	1		
		9	34905-425-671	BULB, WINKER	2		SA,U
				(12V23/8W STANLEY)			
			34906-425-771	BULB, TAILLIGHT	2		CM
				(12V 32/3CP STANLEY)			
			34906-447-711	BULB, TAILLIGHT (12V21/5W)	2		AR,B,E,ED,F,G1,G2,IT,ND,SD,SW
		10	90105-GA7-003	SCREW, TAPPING, 4X40	4		CM,SA,U
			90105-KB4-003	SCREW, TAPPING, 4X40	4		AR,B,E,ED,F,G1,G2,IT,ND,SD,SW
		11	90106-MC7-003	SCREW, TAPPING, 4X16	2		
		12	90522-170-700	COLLAR, GEARSHIFT LEVER	2		
				SETTING			
		13	94050-06080	NUT, FLANGE, 6MM	2		

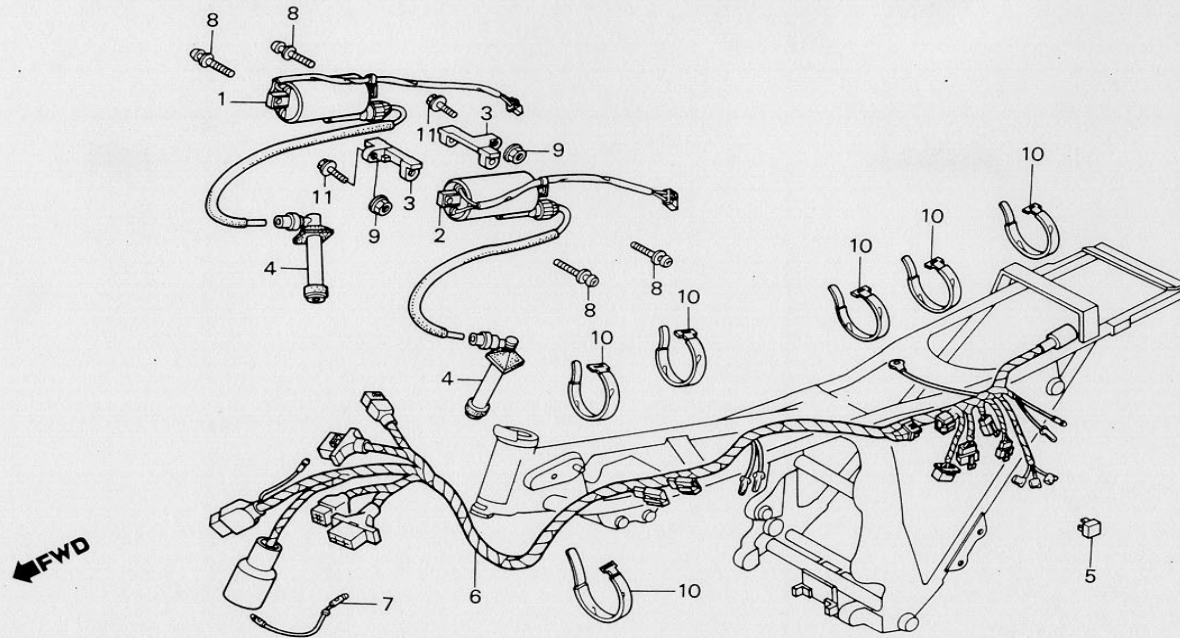
I 7

F-29

Wire harness · Ignition coil

Faisceau électrique ·
Bobine d'allumage

Kabellbaum · Zündspule



BMC5-27

Service item	F.R.T.	Ref. No.	Part No.	Description	Reqd. No. CX650ED	Serial No.	Area code
COIL ASSY., R. IGNITION (ADD 0.1 FOR EACH.)	0.3	1	30501-ME2-000	COIL ASSY., R. IGNITION	1		
		2	30502-ME2-000	COIL ASSY., L. IGNITION	1		
RECTIFIER ASSY., SILICON	0.2	3	30505-MA1-000	STAY, IGNITION COIL	2		
		4	30700-ME2-000	CAP ASSY., PLUG	2		
HARNESS, WIRE	1.2	5	31700-124-003	RECTIFIER ASSY., SILICON (STANLEY)	1		
			31700-124-008	RECTIFIER ASSY., SILICON (SHINDENGEN)	1		
		6	32100-MG0-000	HARNESS, WIRE	1		
		7	32101-MC5-000	SUB HARNESS	1		
		8	93891-05025-08	SCREW-WASHER, 5X25	4		
		9	94050-06080	NUT, FLANGE, 6MM	2		
		10	95014-61200	BAND A2, WIRE	7		
		11	95725-06025-08	BOLT, FLANGE, 6X25	2		

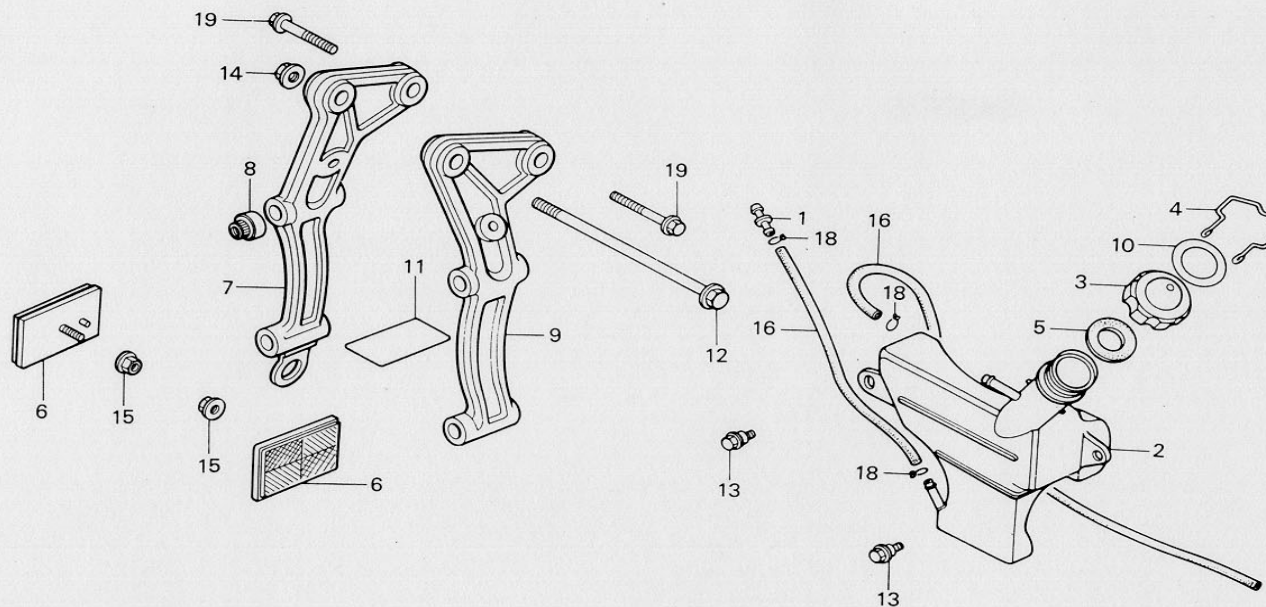
I 8

F-30

Radiator shroud · Reserre tank

Buse de radiateur · Réservoir

Kühlerhaube · Reservetank



BMC5-28B

Service item	F.R.T.	Ref. No.	Part No.	Description	Reqd. No. CX650ED	Serial No.	Area code
TANK, RESERVE BRACKET, FR. ENGINE HANGER (ADD 0.1 FOR EACH.)	1.2 0.8	1	17359-419-670	JOINT, BREATHER TUBE	1		
		2	19103-MA1-000	TANK, RESERVE	1		
		3	19104-415-000	CAP, RESERVE TANK	1		
		4	19105-415-000	WIRE, CAP LOCK	1		
		5	19106-415-000	PACKING, RESERVE TANK	1		
	6	33741-449-000	REFLECTOR, FR. REFLEX	2			CM
	7	50310-ME2-000	BRACKET, R. FR. ENGINE HANGER	1			
	8	50311-MA1-730	CAP, FR. ENGINE HANGER	2			
	9	50320-ME2-000	BRACKET, L. FR. ENGINE HANGER	1			
	10	87507-415-620	LABEL, RESERVE TANK (FRENCH)	1			CM,F
		87507-415-670	LABEL, RESERVE TANK	1			AR,B,CM,E,ED,G1,G2,IT,ND,SA,SD,SW U
	11	87508-MA1-750	LABEL, RADIATOR CAUTION (FRENCH)	1			CM,F
		87508-MA1-770	MARK, RADIATOR CAUTION	1			AR,B,CM,E,ED,G1,G2,IT,ND,SA,SD,SW U
	12	90111-MA1-000	BOLT, FLANGE, 12X225	1			
	13	90111-162-000	BOLT, FLANGE, 6MM	1			
	14	94050-12000	NUT, FLANGE, 12MM	2			
	15	94050-06080	NUT, FLANGE, 6MM	1			
			2			CM	
16	95001-75500-40	TUBE, FUEL, 7.3X500	1				
17	95001-75550-40	TUBE, FUEL, 7.5X550	1				

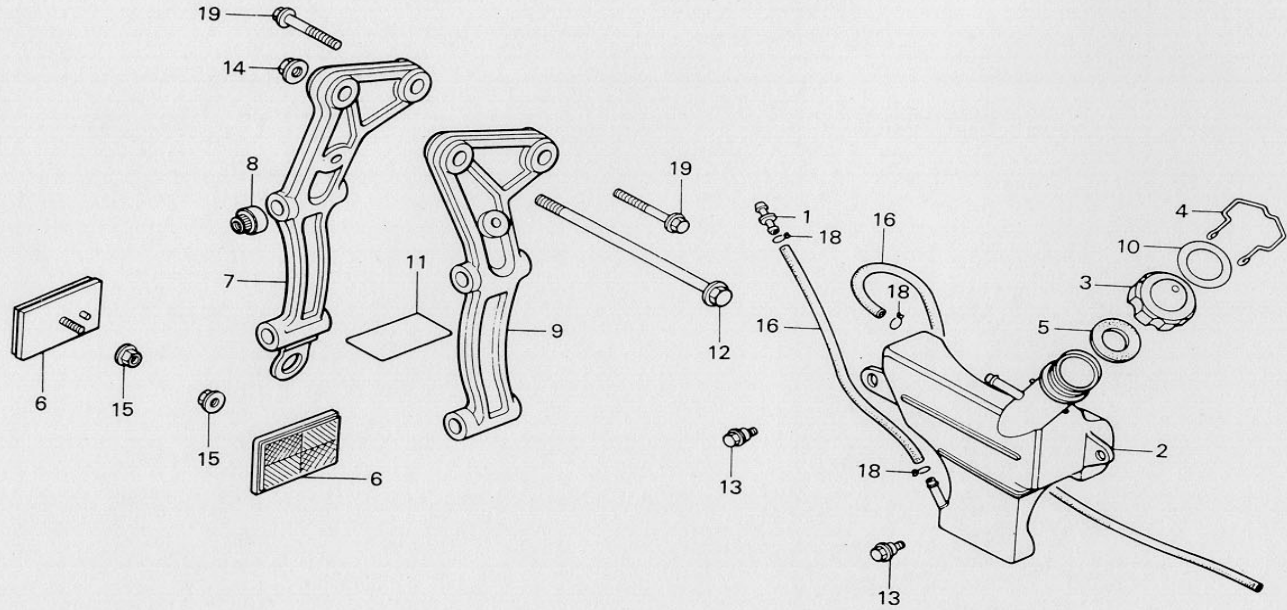
19

F-30

Radiator shroud · Reserre tank

Buse de radiateur · Réservoir

Kühlerhaube · Reservetank



BMC5-28B

Service item	F.R.T.	Ref. No.	Part No.	Description	Reqd. No. CX650ED	Serial No.	Area code
		18	95002-02120	CLIP B12, TUBE	3		
		19	95800-10040-00	BOLT, FLANGE, 10X40	2		

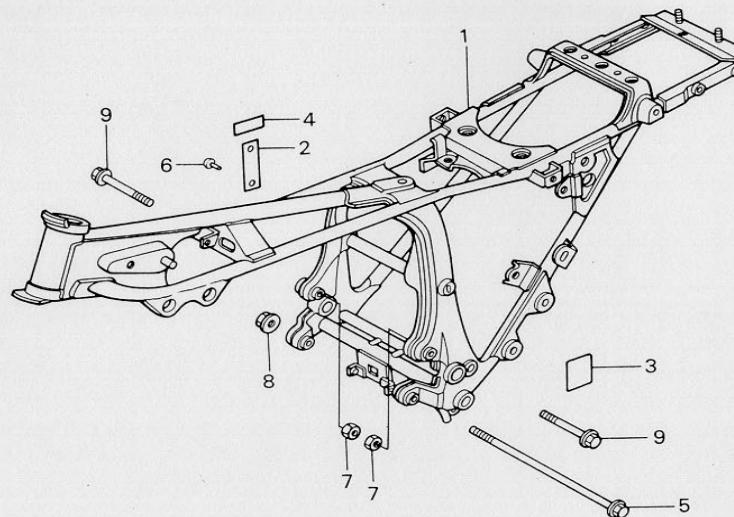
I 10

F-31

Frame body

Cadre

Rahmen



BMC5-29

Service item	F.R.T.	Ref. No.	Part No.	Description	Reqd. No. CX650Ed	Serial No.	Area code
BODY COMP., FRAME	*8.0	1	50100-MGO-000ZA	BODY COMP., FRAME *NH-1*	1		AR,B,E,ED,F,IT,SA,SW
			50100-MGO-610ZA	BODY COMP., FRAME *NH-1*	1		G1,G2,ND,SD
			50100-MGO-720ZA	BODY COMP., FRAME *NH-1*	1		CM,U
		2	87501-MGO-610	PLATE, REGISTERED NUMBER	1		AR,B,E,ED,G1,G2,IT,ND,SD,SW
		3	87508-MA1-750	LABEL, RADIATOR CAUTION (FRENCH)	1		CM,F
			87508-MA1-770	MARK, RADIATOR CAUTION	1		AR,B,CM,E,ED,G1,G2,IT,ND,SA,SD,SW
		4	87518-MA1-670	LABEL, RR. CUSHION CAUTION	1		AR,B,CM,E,ED,G1,G2,IT,ND,SA,SD,SW
			87518-MA1-720	LABEL, RR. CUSHION CAUTION (FRENCH)	1		U CM,F
		5	90110-415-000	BOLT, FLANGE, 12X308	1		
		6	90841-001-000	SCREW, RIVET, 1.5X5	2		AR,B,E,ED,F,G1,G2,IT,ND,SD,SW
		7	94030-10000	NUT, HEX., 10MM	2		
		8	94050-12000	NUT, FLANGE, 12MM	1		
		9	95800-10070-00	BOLT, FLANGE, 10X70	2		

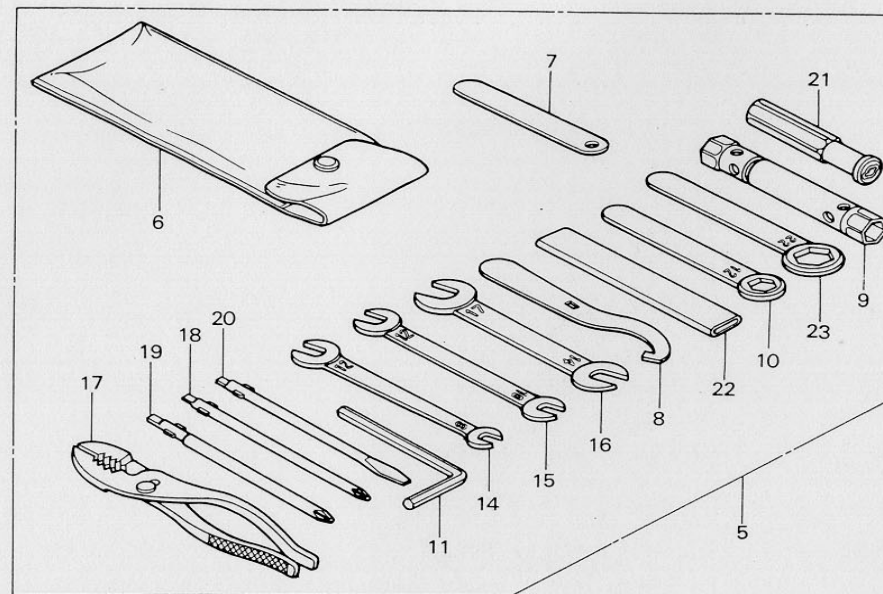
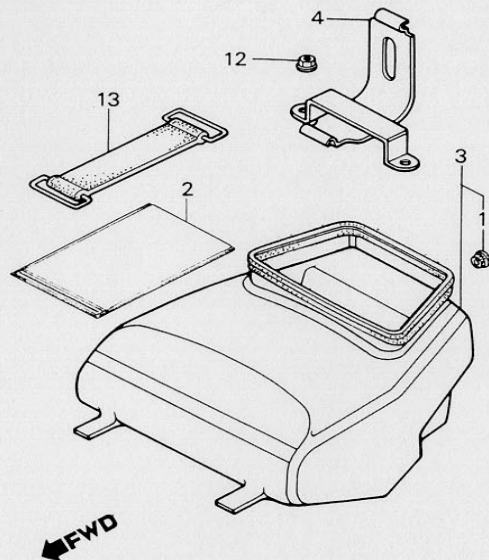
I 11

F-32

Tool

Outils

Werkzeug



BMC5-30A

Service item	F.R.T.	Ref. No.	Part No.	Description	Reqd. No. CX650Ed	Serial No.	Area code
BOX ASSY., TOOL PLATE	0.2	1	32170-647-000	GROMMET, WINDOW DEFROSTER	1		
	0.1	2	77251-342-000	BAG, SERVICES BOOK	1		
		3	83500-MC5-000	BOX ASSY., TOOL	1		
		4	83502-MC5-000	PLATE	1		
		5	89010-MG0-000	TOOL SET	1		
		6	89101-371-013	BAG, TOOL	1		
		7	89103-371-000	GAUGE, FEELER, 0.7	1		
		8	89215-404-670	SPANNER, PIN	1		
		9	89216-415-000	WRENCH, BOX, 18.5X17	1		
		10	89217-415-000	WRENCH, EYE, 12MM	1		
		11	89221-371-000	WRENCH, HEX., 6MM	1		
		12	90282-329-000	NUT, 6X15	2		
		13	95012-11000	BAND A, BATTERY	1		
		14	99001-08120	SPANNER, 8X12	1		
		15	99001-10120	SPANNER, 10X12	1		
		16	99001-14170	SPANNER, 14X17	1		
		17	99002-13500	PLIERS, 135	1		
		18	99003-10000	DRIVER 2, PLUS SCREW	1		
		19	99003-20000	DRIVER 3, PLUS SCREW	1		
		20	99003-30000	DRIVER 2, MINUS SCREW	1		
		21	99003-50000	GRIP	1		
		22	99006-12000	HANDLE, EYE WRENCH, 120MM	1		
		23	99006-24000	WRENCH, EYE, 24MM	1		

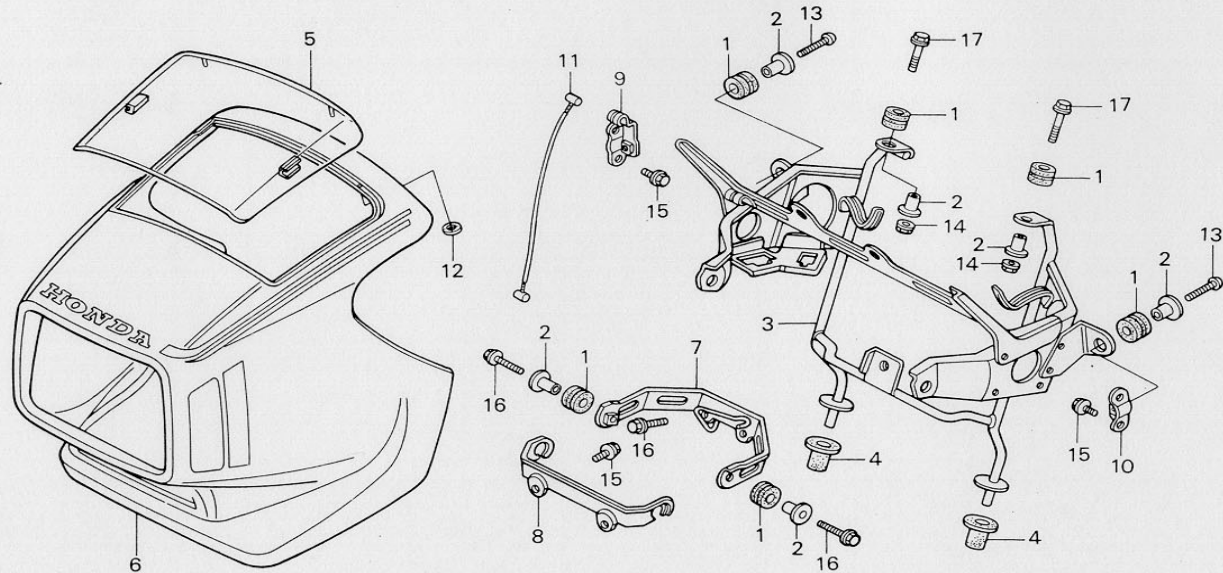
I 12

F-33

Headlight cover

Phare supérieur

Scheinwerferdeckel



BMC5-31

Service item	F.R.T.	Ref. No.	Part No.	Description	Reqd. No. CX650Ed	Serial No.	Area code
		1	17245-107-010	RUBBER, AIR CLEANER CASE MOUNTING	6		
		2	61104-422-000	COLLAR, SETTING	6		
		3	61311-MC5-000	BRACKET COMP., HEADLIGHT CASE	1		
		4	61313-422-000	GROMMET B, HEADLIGHT	2		
		5	64100-MC5-610	COVER, METER	1		
		6	64200-MG0-000ZA	COVER COMP., HEADLIGHT *NH-1*	1		
			64200-MG0-000ZB	COVER COMP., HEADLIGHT *NH-121P-A*	1		
			64200-MG0-000ZC	COVER COMP., HEADLIGHT *R-124C-U*	1		
		7	64510-MC5-000	STAY A, HEADLIGHT CASE	1		
		8	64511-MC5-000	STAY B, HEADLIGHT CASE	1		
		9	64512-MC5-000	STAY C, R. HEADLIGHT COVER	1		
		10	64513-MC5-000	STAY C, L. HEADLIGHT COVER	1		
		11	81219-GC2-610	CABLE, STOPPER	1		
		12	90313-329-000	NUT B, PUSH, 3MM	4		
		13	93500-06025-0G	SCREW, PAN, 6X25	2		
		14	94050-06080	NUT, FLANGE, 6MM	2		
		15	95700-06010-07	BOLT, FLANGE, 6X10	6		
		16	95700-06020-07	BOLT, FLANGE, 6X20	4		
		17	95700-06032-07	BOLT, FLANGE, 6X32	2		

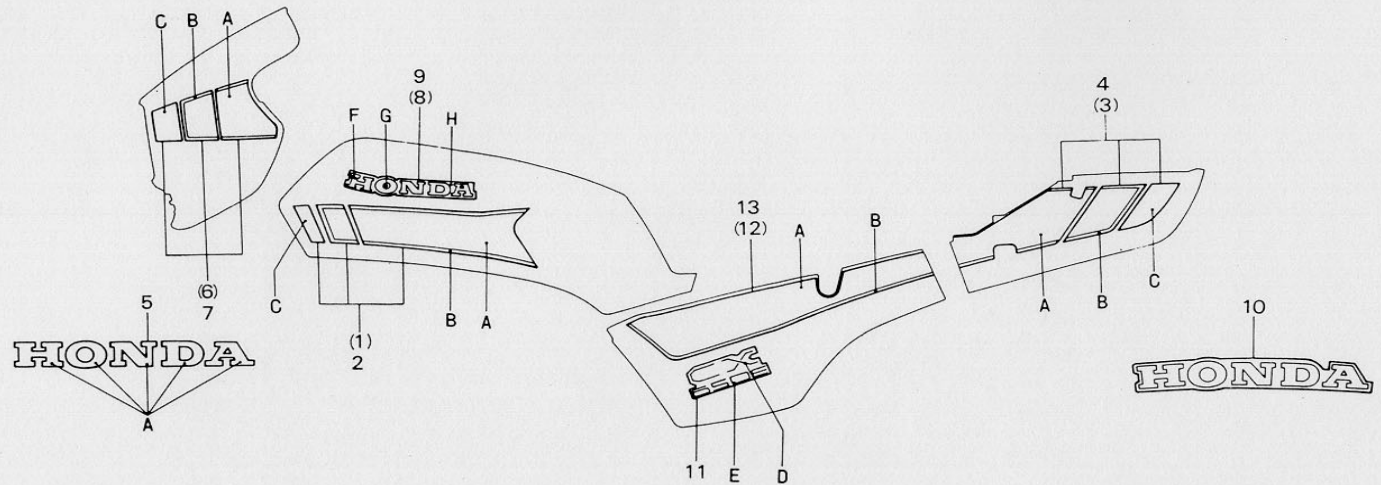
I 13

F-34

Color chart

Table de couleur

Farbentabelle



BMC7-32A

Service item	F.R.T.	Ref. No.	Part No.	Description	Reqd. No. CX650ED	Serial No.	Area code
		1	87111-MG0-300ZA	STRIPE, R. FUEL TANK (A.M.)	1		
				TYPE 1	1*		
			87111-MG0-300ZB	STRIPE, R. FUEL TANK (A.M.)	1		
				TYPE 2	2*		
			87111-MG0-300ZC	STRIPE, R. FUEL TANK (A.M.)	1		
				TYPE 3	3*		
		2	87112-MG0-300ZA	STRIPE, L. FUEL TANK (A.M.)	1		
				TYPE 1	1*		
			87112-MG0-300ZB	STRIPE, L. FUEL TANK (A.M.)	1		
				TYPE 2	2*		
			87112-MG0-300ZC	STRIPE, L. FUEL TANK (A.M.)	1		
				TYPE 3	3*		
		3	87113-MG0-300ZA	STRIPE, R. RR. COWL (A.M.)	1		
				TYPE 1	1*		
			87113-MG0-300ZB	STRIPE, R. RR. COWL (A.M.)	1		
				TYPE 2	2*		
			87113-MG0-300ZC	STRIPE, R. RR. COWL (A.M.)	1		
				TYPE 3	3*		
			87113-MG0-300ZD	STRIPE, R. RR. COWL (A.M.)	1		
				TYPE 4	4*		
			87113-MG0-300ZE	STRIPE, R. RR. COWL (A.M.)	1		
				TYPE 5	5*		
			87113-MG0-300ZF	STRIPE, R. RR. COWL (A.M.)	1		
				TYPE 6	6*		
		4	87114-MG0-300ZA	STRIPE, L. RR. COWL (A.M.)	1		
				TYPE 1	1*		
			87114-MG0-300ZB	STRIPE, L. RR. COWL (A.M.)	1		
				TYPE 2	2*		
			87114-MG0-300ZC	STRIPE, L. RR. COWL (A.M.)	1		
				TYPE 3	3*		
			87114-MG0-300ZD	STRIPE, L. RR. COWL (A.M.)	1		
				TYPE 4	4*		

Color chart for fuel tank stripe

Type of stripe	Fuel tank main color	Position	A	B	C
TYPE 1	Pearl shell white		Blue-A	Blue-B	Orange
TYPE 2	Black		Silver-A	Silver-A	Orange
TYPE 3	Candy alamoana Red-U		Candy flair Blue-U	Orange	Orange

Color chart for headlight cover, side cover and rear cowl stripe

Type of stripe	Fuel tank main color	Position	A	B	C
TYPE 1	Pearl shell white		Blue-A	Blue-B	Red
TYPE 2	Black		Silver	Silver	Red
TYPE 3	Candy alamoana Red-U		Flair Blue-U	Orange	Red
TYPE 4	Pearl shell white		Blue-A	Blue-B	Orange
TYPE 5	Black		Silver	Silver	Orange
TYPE 6	Candy alamoana Red-U		Flair Blue-U	Orange	Orange

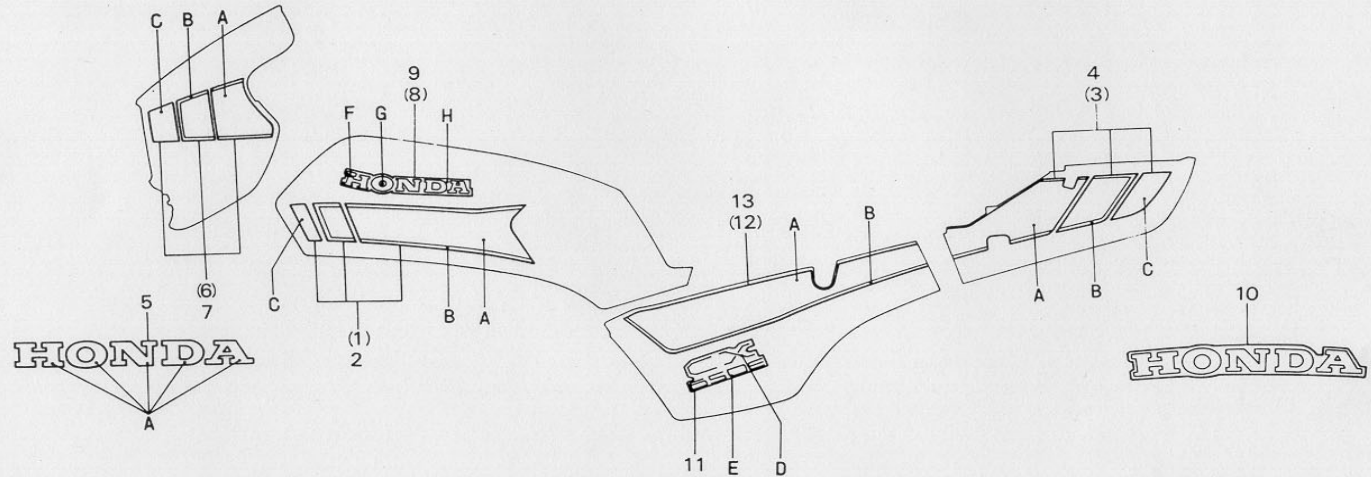
I 14

F-34

Color chart

Table de couleur

Farbentabelle



BMC7-32A

Service item	F.R.T.	Ref. No.	Part No.	Description	Reqd. No. CX650ED	Serial No.	Area code
			87114-MGO-300ZE	STRIPE, L. RR. COWL (A.M.) *TYPE 5*	1		
			87114-MGO-300ZF	STRIPE, L. RR. COWL (A.M.) *TYPE 6*	1		
5			87116-MGO-300ZA	MARK, HEADLIGHT COVER (A.M.) *TYPE 1*	1		
			87116-MGO-300ZB	MARK, HEADLIGHT COVER (A.M.) *TYPE 2*	1		
			87116-MGO-300ZC	MARK, HEADLIGHT COVER (A.M.) *TYPE 3*	1		
6			87118-MGO-300ZA	STRIPE, R. HEADLIGHT COVER (A.M.) *TYPE 1*	1		
			87118-MGO-300ZB	STRIPE, R. HEADLIGHT COVER (A.M.) *TYPE 2*	1		
			87118-MGO-300ZC	STRIPE, R. HEADLIGHT COVER (A.M.) *TYPE 3*	1		
			87118-MGO-300ZD	STRIPE, R. HEADLIGHT COVER (A.M.) *TYPE 4*	1		
			87118-MGO-300ZE	STRIPE, R. HEADLIGHT COVER (A.M.) *TYPE 5*	1		
			87118-MGO-300ZF	STRIPE, R. HEADLIGHT COVER (A.M.) *TYPE 6*	1		
7			87119-MGO-300ZA	STRIPE, L. HEADLIGHT COVER (A.M.) *TYPE 1*	1		
			87119-MGO-300ZB	STRIPE, L. HEADLIGHT COVER (A.M.) *TYPE 2*	1		
			87119-MGO-300ZC	STRIPE, L. HEADLIGHT COVER (A.M.) *TYPE 3*	1		
			87119-MGO-300ZD	STRIPE, L. HEADLIGHT COVER (A.M.) *TYPE 4*	1		

Color chart for headlight cover mark

Type of stripe	Fuel tank main color	Position A
TYPE 1	Pearl shell white	Blue-A
TYPE 2	Black	Silver
TYPE 3	Candy alamoana Red-U	Candy pearl Blue-A

Color chart for fuel tank mark

Type of mark	Fuel tank main color	Position F	G	H
TYPE 1	Pearl shell white	Black	Pearl shell white	Blue-B
TYPE 2	Black	Orange	Black	Silver
TYPE 3	Candy alamoana Red-U	Orange	Blue-C	Candy alamoana Red-U

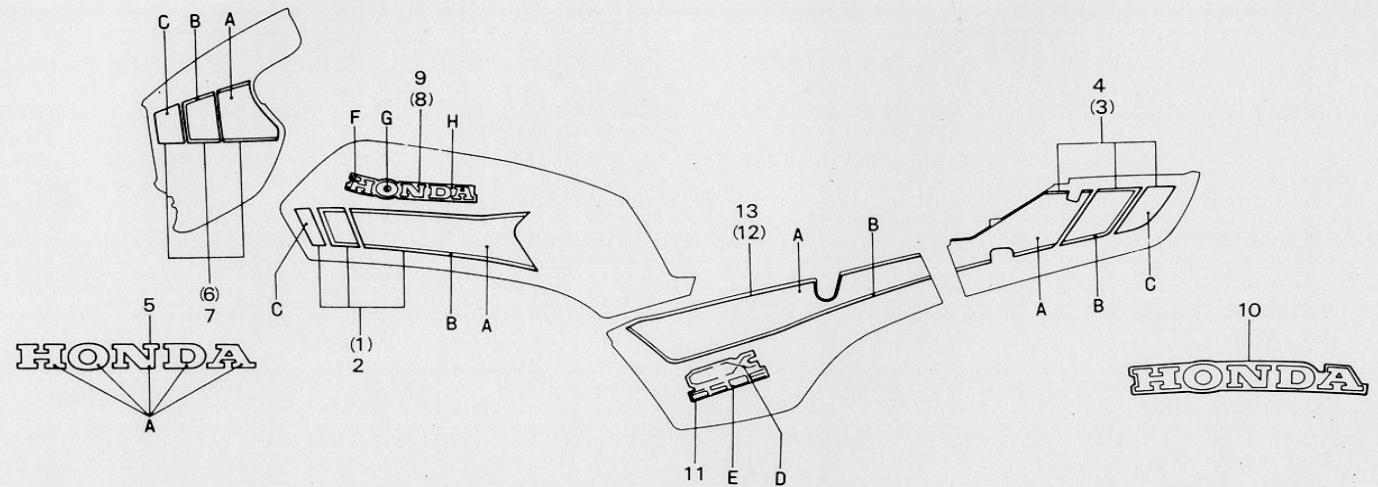
I 15

F-34

Color chart

Table de couleur

Farbentabelle



BMC7-32A

Service item	F.R.T.	Ref. No.	Part No.	Description	Reqd. No. CX650ED	Serial No.	Area code
			87119-MGO-300ZE	STRIPE, L. HEADLIGHT COVER (A.M.) *TYPE 5*	1		
			87119-MGO-300ZF	STRIPE, L. HEADLIGHT COVER (A.M.) *TYPE 6*	1		
	8		87121-MGO-300ZA	MARK, R. FUEL TANK (A.M.) *TYPE 1*	1		
			87121-MGO-300ZB	MARK, R. FUEL TANK (A.M.) *TYPE 2*	1		
			87121-MGO-300ZC	MARK, R. FUEL TANK (A.M.) *TYPE 3*	1		
	9		87122-MGO-300ZA	MARK, L. FUEL TANK (A.M.) *TYPE 1*	1		
			87122-MGO-300ZB	MARK, L. FUEL TANK (A.M.) *TYPE 2*	1		
			87122-MGO-300ZC	MARK, L. FUEL TANK (A.M.) *TYPE 3*	1		
	10		87125-MC7-300	MARK, RR. COWL (A.M.)	1		
	11		87125-MGO-300ZA	MARK, SIDE COVER (A.M.) *TYPE 1*	2		CM
			87125-MGO-300ZB	MARK, SIDE COVER (A.M.) *TYPE 2*	2		CM
			87125-MGO-300ZC	MARK, SIDE COVER (A.M.) *TYPE 3*	2		CM
			87125-MGO-610ZA	MARK, SIDE COVER (A.M.) *TYPE 1*	2		AR,B,E,ED,F,G1,G2,IT,ND,SA,SD,SW U
			87125-MGO-610ZB	MARK, SIDE COVER (A.M.) *TYPE 2*	2		AR,B,E,ED,F,G1,G2,IT,ND,SA,SD,SW U
			87125-MGO-610ZC	MARK, SIDE COVER (A.M.) *TYPE 3*	2		AR,B,E,ED,F,G1,G2,IT,ND,SA,SD,SW U
	12		87128-MGO-300ZA	STRIPE, R. SIDE COVER (A.M.) *TYPE 1*	1		

Color chart for side cover mark

Type of mark	Fuel tank main color	Position	D	E
TYPE 1	Pearl shell white		Orange	Blue-A
TYPE 2	Black		Orange	Silver
TYPE 3	Candy alamoana Red-U		Orange	Blue-C

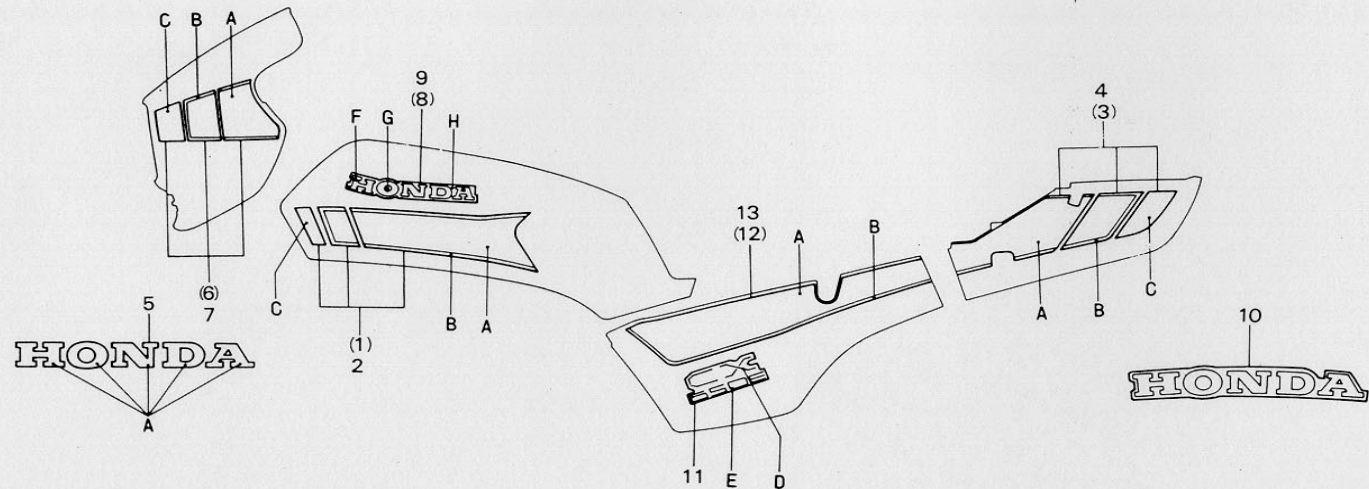
I 16

F-34

Color chart

Table de couleur

Farbentabelle



BMC7-32A

Service item	F.R.T.	Ref. No.	Part No.	Description	Reqd. No. CX650ED	Serial No.	Area code
			87128-MG0-300ZB	STRIPE, R. SIDE COVER (A.M.)	1		
				TYPE 2	1		
			87128-MG0-300ZC	STRIPE, R. SIDE COVER (A.M.)	1		
				TYPE 3	1		
		13	87129-MG0-300ZA	STRIPE, L. SIDE COVER (A.M.)	1		
				TYPE 1	1		
			87129-MG0-300ZB	STRIPE, L. SIDE COVER (A.M.)	1		
				TYPE 2	1		
			87129-MG0-300ZC	STRIPE, L. SIDE COVER (A.M.)	1		
				TYPE 3	1		

Part No. N° de pièce Teile-Nr	Address No. N° de Adresse Adressen-Nr.										
		12363-MC7-000	C16	15140-415-003	C13	17205-ME2-610	H5	18534-634-670	H6	23451-ME2-000	D9
		12431-415-010	C9	15141-ME2-010	C13	17212-ME2-000	H5	19000	H6	23461-ME2-000	D9
		12901-413-000	D4	15142-ME2-000	C11	17212-ME2-610	H5		H6	23462-MC7-000	D9
		13000		15143-ME2-000	C13	17212-415-000	H5	19010-ME2-003	C2	23471-ME2-000	D9
				15155-300-000	C13	17213-ME2-000	H5	19012-611-003	C2	23472-MC7-000	D9
		13011-ME2-004	D7	15220-415-000	D4	17213-ME2-610	H5	19013-415-004	C2	23481-ME2-000	D9
		13021-ME2-004	D7	15411-449-000	C13	17214-415-300	H5	19015-ME2-003	C2	23491-ME2-010	D9
		13031-ME2-004	D7	15412-413-005	C10	17220-ME2-000	H5	19020-ME2-003	C2	23492-ME2-000	D9
		13101-ME2-000	D7	15414-300-000	C10	17231-MA1-000	H5	19030-ME2-003	C2	23501-ME2-010	D9
		13102-ME2-000	D7	15415-413-000	C10	17245-107-010	I12	19031-MG0-000	C2	23521-MG0-000	D3
		13103-ME2-000	D7	15420-415-000	C10	17247-303-000	H1	19032-ME2-000	C2	23522-415-000	D9
		13104-ME2-000	D7	15650-449-000	C10	17254-ME2-300	H5	19033-470-670	C2	23721-MA1-000	D3
	06000	13105-ME2-000	D7		D4	17255-356-000	C6	19035-MG0-000	C2	23722-MC7-000	D3
		13106-ME2-000	D7	16000			C7	19035-MG0-720	C2	23731-371-000	D3
061A1-ME2-000	D16	13111-ME2-000	D7			17256-ME2-000	H5	19036-MG0-000	C2	23732-MA1-000	D3
061B1-ME2-000	E1	13205-ME2-000	D7	16010-ME2-621	D13	17256-358-000	H5	19036-MG0-720	C2	23733-371-000	D3
		13210-ME2-000	D7	16010-ME2-671	D13	17331-ME2-300	H5	19045-449-770	C2		
	11000	13213-ME2-000	D7	16012-ME2-621	D13	17335-415-670	H5	19103-MA1-000	I8	24000	
		13216-ME2-003	D4	16012-MG0-721	D13	17336-ME2-000	H5	19104-415-000	I8		
11100-ME2-010	D4	13217-ME2-003	D7	16013-413-751	D13	17337-323-300	H5	19105-415-000	I8	24216-ME2-000	D11
11102-ME2-000	D4	13218-ME2-003	D7	16015-MC8-671	D13	17337-426-300	H5	19106-415-000	I8	24221-ME2-000	D11
11103-ME2-000	D4	13219-ME2-003	D7	16015-MC8-671	D13	17359-419-670	H5	19115-415-000	C2	24241-MC7-000	D11
11104-MG0-000	D4	13220-ME2-003	D7	16019-ME2-671	D13		H5	19119-449-000	C2	24242-MC7-000	D11
11105-MG0-000	D4	13300-ME2-000	D7	16020-ME2-621	D13	17369-419-670	H5	19215-ME2-000	C14	24300-MC7-000	D11
11121-ME2-010	D6	13323-MC7-305	D4	16021-ME2-671	D13	17370-419-700	H6	19217-657-023	C14	24303-MC7-000	D11
11128-ME2-000	D6	13324-MC7-305	D4	16022-470-671	D13	175A1-MG0-000ZA	G13	19221-ME2-000	C14	24304-415-000	D11
		13325-MC7-305	D4	16028-ME2-671	D13	175A1-MG0-000ZB	G13	19300-611-005	C4	24305-415-000	D11
11131-MC7-000	D4	13326-ME2-003	D7	16029-443-851	D13	175A1-MG0-000ZC	G13	19315-MA1-000	C4	24430-413-000	D11
11132-MC7-000	D4	13331-357-000	D8	16030-ME2-671	D13	17512-MC5-000	G13	19411-415-000	C4	24432-413-000	D11
11140-ME2-000	D4			16034-ME2-671	D13	17551-MA1-000	H6	19414-ME2-000	C4	24435-415-000	D11
11146-ME2-000	D4			16037-ME2-671	D13	17552-MA1-000	H6	19418-ME2-000	C4	24610-415-000	D11
11310-ME2-000	C16	14000		16045-425-671	D13	17611-286-000	G13	19421-415-000	C4	24620-415-000	D11
11312-415-000	C15			16048-KB7-004	D13	17613-MA1-000	G13	19501-ME2-000	C4	24623-415-000	D11
11360-ME2-000	C11	14100-ME2-000	C9	16050-ME2-671	D13	17620-MC5-610	G13	19502-ME2-000	C4	24624-415-000	D11
11365-ME2-000	D4	14321-415-000	D2	16100-ME2-612	D13	17620-460-037	G13	19503-ME2-000	C4	24641-216-000	D11
11370-449-000	C10	14322-415-000	D2	16100-ME2-623	D13	17910-MG0-000	F6	19504-ME2-000	C4	24651-333-000	D11
11372-449-700	C10	14401-ME2-003	D2	16100-ME2-713	D13	17920-MG0-000	F6	19512-449-000	C4	24652-259-000	D12
		14410-ME2-000	C8	16100-MG0-721	D13	17950-MG0-000	F6	19515-449-000	C4	24700-MC5-000	H9
11391-ME2-000	C11	14420-MG0-000	C8	16101-ME2-611	D13	17963-422-000	F6	19521-ME2-000	C4	24781-449-000	H9
		14430-MG0-000	C8	16101-ME2-621	D14		F6				
11394-449-701	C16	14441-415-010	C9	16101-ME2-711	D14	18000		22000		28000	
		14442-415-010	C9	16101-MG0-721	D14	18231-415-000	H7	22100-ME2-000	C12	28100-415-305	D1
11396-415-000	C14	14450-ME2-000	C8	16102-ME2-611	D14	18291-286-000	D16	22116-ME2-000	C12	28102-415-010	D1
		14451-415-000	C9	16102-ME2-621	D14		H7	22120-ME2-000	C12	28106-415-000	D1
		14453-415-000	C9	16102-MG0-721	D14	18292-415-000	H7	22201-ME2-000	C12	28110-415-010	D1
	12000	14500-MC7-000	D2	16144-MA1-671	D14	18310-MG0-003	H7	22201-286-010	C12	28120-415-000	D1
12200-ME2-000	C6	14511-MC7-000	D2	16155-413-751	D14	18310-MG0-720	H7	22202-390-000	C12	28125-516-030	D1
12209-300-003	C8	14515-428-000	D2	16165-449-771	D14	18315-MG0-003	H7	22321-329-000	C12	28126-415-000	D1
		14538-MC7-000	D2	16166-ME2-671	D14	18318-MG0-000	H7	22322-390-000	C12		
12210-ME2-000	D16	14620-MC7-000	D2	16173-001-004	D14	18320-ME2-003	H7	22350-ME2-000	C12		
12215-415-000	C7	14623-MC7-000	D2	16199-460-671	D14	18320-ME2-710	H7	22361-415-000	C12	30000	
12220-ME2-000	C5	14711-ME2-000	C8	16211-ME2-000	D14	18320-ME2-730	H7	22401-ME2-000	C12		
12230-449-700	C9	14721-415-000	C8	16221-ME2-000	G13	18330-MG0-610	H7	22811-MG0-000	C10	30220-ME2-000	C14
		14751-ME2-000	C8	16221-ME2-000	D14	18330-MG0-720	H7	22815-413-000	C10	30300-MG0-000	C14
12231-415-305	D16	14761-415-005	C8	16950-ME2-000	C6	18330-MG0-720	H7	22847-415-000	C10	30372-MC7-010	C14
		14771-551-020	C8	16951-MA1-731	C7	18373-415-000	H7	22870-MG0-000	F6	30373-MC7-000	C14
12241-MA1-305	C6	14775-300-000	C8	16952-461-771	G13	18374-MA1-003	H7	22875-MC7-000	F9		
		14781-551-000	C8	16953-449-751	G13	18375-413-000	H7			30400-MA1-155	H3
12251-ME2-000	C7			16958-MA1-731	G13	18391-317-000	H7	23000		30501-ME2-000	I7
		15000		16959-461-751	G13	18392-413-000	H7	23121-ME2-000	C13	30502-ME2-000	I7
12311-ME2-000	D16	15100-ME2-000	C13	16967-GA6-671	G13	18415-MG0-003	H7	23211-ME2-010	D9	30505-MA1-000	I7
12328-415-000	C5	15115-415-000	C13	16997-357-003	G13	18418-MG0-000	H7	23219-415-000	D9	30700-ME2-000	I7
		15116-415-000	C13		C11	18420-ME2-003	H7	23220-ME2-000	D9	30753-ME2-000	C4
12329-415-000	D16				E1	18420-ME2-610	H7	23421-ME2-000	D9		
						18420-ME2-710	H7	23422-MC7-000	D9	31000	
						18420-ME2-730	H7	23431-MC7-000	D9	31100-MA1-731	D1
12361-035-000	D16			17000		18430-MG0-610	H8	23441-ME2-000	D9	31110-MA1-731	D1
12363-MC7-000	G9					18430-MG0-720	H8	23442-MC7-000	D9	31120-MA1-005	D1
	C11			17205-MA1-010	H5		H8		D9	31140-415-000	C16

Part No. Address No.
 N° de pièce N° de Adresse
 Teile-Nr Adressen-Nr.

		33156-MC5-003	F2	33705-MC7-671	I6	37220-MC5-003	G15	41534-MB0-000	G10	44710-MG0-722	G3
		33170-MC5-611	F2	33706-MC7-611	I6	37220-MC5-611	G15	41535-MB0-000	G10	44710-MG0-723	G3
		33171-MC5-000	F2	33707-MC7-611	I6	37221-MC5-000	G15	41536-MB0-000	G10	44800-MC7-003	G3
		33180-MC5-003	F2	33708-MC7-611	I6	37222-MC5-000	G15	41537-MB0-000	G10	44830-MC5-000	F5
		33318-567-003	I3	33741-MC7-611	I1	37243-323-000	H10	41538-MB0-000	G10	44831-473-000	F5
		33400-MC5-010	I3	33741-148-871	I1	37250-MG0-600	F4			44832-MA3-000	G1
		33400-MC5-601	I3	33741-415-601	I1	37250-MG0-710	F4	42000			
		33400-MC5-681	I3	33741-449-000	I8	37260-449-840	F4			45000	
		33400-MG0-720	I3	33905-MC5-601	F3	37261-300-000	F4	42301-MG0-000	G7		
		33401-MC5-010	I3			37300-MG0-000	F4	42311-ME7-000	G7	45100-MB7-611	G1
		33401-MC5-601	I3	34000		37450-MG0-000	F4	42615-MB0-700	G7	45101-MC7-006	G1
		33401-MG0-720	I3			37619-MC5-000	F5	42620-ME7-700	G7	45105-MC7-004	G1
31200-449-008	C15	33402-431-782	I3	34901-MC7-601	F3	37750-611-154	C4	42625-MB0-000	G10	45107-MA3-006	G1
31201-292-158	C15	33403-425-003	I3	34901-371-621	F3	37760-MC7-003	C2	42650-MG0-305	G7		G5
31201-415-000	C15	33403-431-782	I3	34903-071-003	F3	37800-MC5-008	G13	42704-MC7-000	G3	45108-MA3-006	G1
31204-292-158	C15	33405-MC5-010	I3	34903-388-611	F3				G7		G5
31205-413-780	C15	33405-MG0-720	I3	34905-268-671	I5	38000		42705-MC7-000	G3	45109-166-006	G1
31205-449-008	C15	33406-431-781	I3	34905-425-671	I5				G7		G5
31206-415-000	C15	33407-431-781	I3		I6	38102-MG0-630	F11	42706-MC7-000	G3	45110-MB7-611	G1
31500-461-770	H1	33409-445-631	I3	34906-425-771	I6	38110-438-004	F11		G7	45111-MA3-006	G1
31500-461-780	H1	33410-MC5-000	F11	34906-447-711	I6	38110-438-601	F11	42710-MG0-009	G7		G5
31502-MA1-000	H1	33410-MC5-680	F11	34908-6A7-701	F4	38120-MC5-631	F11	42710-MG0-611	G7	45113-MB7-610	G1
31600-MA1-008	H3	33411-431-782	I3	34908-634-611	I5	38201-MG0-000	F9	42710-MG0-612	G7	45114-MB7-610	G1
31700-124-003	I7	33417-445-631	I3			38201-MG0-620	F9	42710-MG0-721	G7	45124-MC5-003	F8
31700-124-008	I7	33450-MC5-010	I3	35000		38215-MG5-670	F9	42710-MG0-722	G7	45125-MC5-003	F8
		33450-MC5-601	I3			38215-MG5-720	F9	42710-MG0-723	G7	45126-MC5-003	F8
		33450-MC5-681	I4	35010-MG0-000	F9	38216-MC5-621	F9	42753-425-003	G3	45127-MA1-003	F8
		33450-MG0-720	I4	35010-MG0-610	F9	38301-404-612	H3		G7	45128-MC7-000	G3
32100-MG0-000	I7	33451-MC5-010	I4	35100-MC5-007	F9	38301-415-004	H3	42753-425-004	G3	45131-MA3-006	G1
32102-ME8-000	I7	33451-MC5-601	I4	35100-MC5-610	F9	38306-438-000	H3		G7		G5
32101-ME2-000	C2	33451-MG0-720	I4	35101-MC5-000	F9					45133-MA3-006	G1
32111-323-000	C11	33455-MC5-010	I4	35101-MC5-610	F9	40000		43000		45133-166-016	G1
32112-191-000	I1	33455-MG0-720	I4	35106-MA1-610	F9						G5
32117-MA1-730	C11	33600-MC7-612	I4	35121-443-811	F9	40200-MG0-000	H13	43100-MC7-016	G5	45200-MC5-006	G1
32161-404-000	F6	33600-MC7-650	I4	35121-443-812	F9	40201-MG0-003	H13	43101-MB9-006	G5	45201-MC7-006	G1
32170-647-000	I11	33600-MC7-671	I4	35122-443-811	F9	40207-MA1-000	H13	43105-MC7-014	G5	45209-166-006	G1
32401-MA1-730	H3	33601-MC7-611	I4	35122-443-812	F9	40215-ME9-003	H13	43110-MC7-006	G5		G5
32410-ME2-000	H3	33602-MC7-612	I4	35130-MG0-720	F6	40220-ME8-000	H13	43121-MC5-000	G7	45210-445-632	G1
32411-253-000	H3	33602-MC7-650	I4	35150-MC5-000	F6	40221-MB0-000	H13	43140-MB9-000	G5	45215-MA3-006	G1
32412-ME2-000	H3	33602-MC7-671	I4	35200-MG0-000	F6			43310-MC5-003	G6		G5
32414-MA1-730	H3	33603-MC7-611	I4	35200-MG0-630	F6	41000		43352-568-003	G1	45217-MA3-006	G1
32416-460-000	H3	33603-MC7-671	I4	35200-MG0-720	F6				G5		G5
32445-MC5-008	F4	33604-MC7-611	I4	35330-413-003	F6	41231-430-000	G7	43353-461-771	G1	45251-413-941	G3
32601-MA1-000	H1	33605-MC7-611	I4	35340-MA5-671	F8	41300-MG0-000	G9		G5	45451-471-000	F13
32900-MC5-000	H3	33609-445-631	I3	35350-MA1-003	H9	41301-MG0-000	G9	43431-MC5-000	H13	45500-MG0-611	F8
32901-MA1-000	F11	33610-MC5-000	F11	35357-426-610	H9	41306-MB0-700	G9	43432-MC5-000	H13	45512-MA6-006	F8
32921-422-000	H13	33610-MC5-680	F11	35500-MB9-004	C11	41310-MG0-000	G9	43435-392-000	H13	45513-MA6-621	F8
		33611-MC7-670	I4	35600-413-003	C16	41321-MG0-000	G9	43435-463-000	H13	45514-MA6-006	F8
		33650-MC7-612	I4	35753-415-000	D12	41324-MG0-000	G9	43500-MC7-006	G6	45515-MA6-006	F8
		33650-MC7-650	I4	35850-MB0-007	H3	41331-ME9-000	G9	43503-422-006	G6	45516-MA6-006	F8
		33650-MC7-671	I5	35852-MB0-007	H3	41332-415-000	G9	43504-371-013	G6	45517-MA5-671	F8
		33651-MC7-611	I5	35856-MB0-007	H3	41333-415-000	G9	43511-443-761	G6	45520-MA5-671	F8
		33652-MC7-612	I5			41410-ME9-000	G9	43512-MC7-611	G6	45520-300-000	G6
		33652-MC7-650	I5	37000		41433-MB0-000	G9	43513-461-771	G6	45521-300-010	G6
		33652-MC7-671	I5			41436-MB0-700	G9	43514-445-771	G6	45522-422-000	F8
		33653-MC7-611	I5	37100-MG0-600	F4	41437-MB0-300	G9	43520-461-771	G6	45530-MA5-671	F8
		33653-MC7-671	I5	37100-MG0-610	F4	41438-MB0-300	G9	43530-MC7-006	G6	45535-MC7-000	G6
		33653-MC7-671	I5	37100-MG0-710	F4	41450-MB0-000	G9				
		33661-MC7-670	I5	37100-MG0-720	F4	41451-MB0-000	G9			44000	
		33701-MC7-602	I6	37102-MC5-008	F4	41452-MB0-000	G9				
		33701-MC7-612	I6	37109-MC5-000	F4	41453-MB0-000	G9	44301-MC5-000	G3	46500-MC5-000	H9
		33701-MC7-651	I6	37110-MC5-008	F4	41454-MB0-000	G9	44311-MC5-000	G3	46503-371-000	G6
		33701-MC7-671	I6	37120-MC5-000	F4	41455-MB0-000	G10	44620-410-000	G3	46504-445-771	G6
		33702-MC7-602	I6	37200-MC5-601	F4	41456-MB0-000	G10	44650-MC5-305	G3	46510-MC7-000	H9
		33702-MC7-612	I6	37200-MG0-610	F4	41510-MB0-003	G10	44680-410-000	G3	46514-MC7-000	H9
		33702-MC7-671	I6	37200-MG0-720	F4	41530-MB0-000	G10	44710-MG0-003	G3		
		33703-MC7-611	I6	37204-MC7-611	F4	41531-MB0-000	G10	44710-MG0-004	G3		
		33704-MC7-611	I6	37215-MC5-000	F4	41532-MB0-000	G10	44710-MG0-009	G3	50000	
		33704-MC7-671	I6	37216-MC5-000	F4	41533-MB0-000	G10	44710-MG0-721	G3	50100-MG0-000ZA	I10

Part No. Address No.
Nº de pièce Nº de Adresse
Teile-Nr Adressen-Nr.

	51414-461-003	F14	53170-MG0-000	F6	80115-MC7-640	I1	87114-MG0-300ZD	I13	89000		
	51415-MC5-003	F14	53175-MA5-006	F8	80121-ME7-640	I1	87114-MG0-300ZE	I14			
	51415-461-003	F14	53178-MA6-000	F6	80122-ME7-640	I1	87114-MG0-300ZF	I14	89010-MG0-000	I11	
	51417-ME1-671	F14	53180-425-010	F6	80205-MC5-000	I1	87116-MG0-300ZA	I14	89101-371-013	I11	
	51418-ME1-671	F14	53192-425-000	F6	80206-MC5-000	I1	87116-MG0-300ZB	I14	89103-371-000	I11	
	51421-MG0-003	F14	53200-MG0-000ZA	F11			87116-MG0-300ZC	I14	89215-404-670	I11	
	51423-MC7-003	F14	53205-MC5-000	F9	81000		87118-MG0-300ZA	I14	89216-415-000	I11	
	51432-371-003	F14	53211-268-000	F11			87118-MG0-300ZB	I14	89217-415-000	I11	
	51433-MC7-003	F14	53212-250-000	F11	81219-GC2-610	I12	87118-MG0-300ZC	I14	89221-371-000	I11	
	51434-MC7-003	F14	53214-250-000	F11			87118-MG0-300ZD	I14			
	51435-MC7-003	F14	53215-250-000	F11	83000		87118-MG0-300ZE	I14	90000		
	51436-ME1-671	F14	53220-ME9-000	F11			87118-MG0-300ZF	I14			
	51437-MA0-771	F14	53230-MG0-000	F9	83500-MC5-000	I11	87119-MG0-300ZA	I14	90002-415-003	D1	
50100-MG0-610ZA	I10	51438-MC5-003	F14	53230-MG0-610	F9	83502-MC5-000	I11	87119-MG0-300ZB	I14	90003-MC7-000	D4
50100-MG0-720ZA	I10	51439-MC5-003	F14	53240-MG0-000	F15	83515-428-000	G15	87119-MG0-300ZC	I14	90008-415-000	C9
50197-MA1-300	H13	51440-MG0-003	F14			83551-240-300	G15	87119-MG0-300ZD	I14	90010-415-000	D1
50301-268-000	F11	51441-MC7-003	F15	61000		83551-300-000	H1	87119-MG0-300ZE	I15	90011-415-000	D2
50302-268-000	F11	51442-MC7-003	F15			83551-385-000	I1	87119-MG0-300ZF	I15	90012-414-000	C8
50310-ME2-000	I8	51444-MC7-003	F15	61100-MG0-000ZA	F13	83601-ME7-000	G15	87121-MG0-300ZA	I15	90013-415-000	C13
50311-MA1-730	I8	51445-MC7-003	F15	61100-MG0-000ZB	F13	83602-MC7-000	G15	87121-MG0-300ZB	I15	90015-MC7-000	D2
50320-ME2-000	I8	51447-461-003	F15	61100-MG0-000ZC	F13	83603-MC7-000	G15	87121-MG0-300ZC	I15	90016-MC7-000	C5
50327-ME2-000	H1	51450-MC5-003	F15	61100-MG0-680ZA	F13	83604-MC7-000	G15	87122-MG0-300ZA	I15	90021-415-000	C5
50328-MA1-000	H1	51456-469-013	F15	61100-MG0-680ZB	F13	83605-MC7-000	G15	87122-MG0-300ZB	I15	90042-679-003	C2
50340-MA1-000	H3		F15	61100-MG0-680ZC	F13	83606-MC7-000	G15	87122-MG0-300ZC	I15	90050-357-000	C12
50341-MC5-000	H3		F15	61101-MC5-000	F13	83607-MC7-000	G16	87125-MC7-300	I15	90068-ME2-000	C6
50500-MG0-000	H12	51490-MC5-305	F15	61102-MC5-000	F13	83618-323-000	H1	87125-MG0-300ZA	I15		C7
50503-MA1-000	H12	51496-MC7-670	F15	61104-422-000	I12	837A0-MG0-000ZA	H1	87125-MG0-300ZB	I15	90081-415-000	D2
50510-413-610	H12	51500-MG0-003	F15	61105-MC5-680	F13	837A0-MG0-000ZB	H1	87125-MG0-300ZC	I15	90089-415-000	C4
50520-413-610	H12	51510-MG0-003	F15	61106-MC5-680	F13	837A0-MG0-000ZC	H1	87125-MG0-610ZA	I15	90103-438-000	G3
50523-415-610	H12	51521-MG0-003	F15	61311-MC5-000	I12	837A0-MG0-610ZA	H1	87125-MG0-610ZB	I15	90105-GA7-003	I6
50529-415-610	H12	51530-ME1-671	F15	61313-422-000	I12	837A0-MG0-610ZB	H1	87125-MG0-610ZC	I15	90105-KB4-003	I6
50540-MG0-000	H12		F15			837A0-MG0-610ZC	H1	87128-MG0-300ZA	I15	90105-KB7-000	F10
50542-438-000	H12		F15			837B0-MG0-000ZA	H1	87128-MG0-300ZB	I16	90105-MC7-610	F10
50548-356-700	H12		F15			837B0-MG0-000ZB	H1	87128-MG0-300ZC	I16	90106-MC7-003	I6
50549-356-700	H12		F15	64000		837B0-MG0-000ZC	H2	87129-MG0-300ZA	I16	90108-223-000	H12
50601-MC5-000	H10	52000				837B0-MG0-610ZA	H2	87129-MG0-300ZB	I16	90109-371-000	G10
50603-033-000	H10					837B0-MG0-610ZB	H2	87129-MG0-300ZC	I16	90110-415-000	I10
50610-MG0-000	H10	52110-MG0-000	H13	64100-MC5-610	I12	83704-MC5-000ZA	G16	87501-MG0-610	I10	90111-MA1-000	I8
50612-ME2-000	H10	52112-MA1-300	H13	64200-MG0-000ZA	I12	83704-MC5-000ZB	G16	87505-MG0-610	H13	90111-162-000	H6
50617-438-000	H10	52115-MA1-000	H13	64200-MG0-000ZB	I12	83704-MC5-000ZC	G16	87505-MG0-620	H13		I8
50619-460-840	H10	52117-MA1-000	H13	64200-MG0-000ZC	I12	83704-MC5-000ZD	G16	87505-MG0-690	H13	90113-438-000	F7
50620-MG0-000	H10	52156-353-300	I5	64511-MC5-000	I12	83730-MG0-000ZA	G16	87505-MG0-720	H13	90113-449-000	H6
50628-438-000	H10	52400-MG0-003	H15	64512-MC5-000	I12	83730-MG0-000ZB	G16	87505-MG0-750	H13	90114-MA5-671	F8
50650-MA5-770	H10	52406-MA1-611	H15	64513-MC5-000	I12	83730-MG0-000ZC	G16	87506-MA1-670	H13	90116-MC7-000	H11
50661-425-670	H10	52425-169-003	H15			83730-MG0-000ZD	G16	87506-MA1-720	H13	90116-MC7-003	F15
50700-MG0-000	H10	52425-381-771	F15	66000		83730-MG0-000ZE	G16	87507-415-620	H2	90116-125-782	G16
50701-MC7-000	H10	52432-MA1-003	H15					87507-415-670	I1	90116-283-010	F15
50705-MG0-000	H10	52452-MA1-611	H15	66181-706-000	H3			87507-415-670	I1	90117-MC7-000	H11
50710-ME7-000	G15	52453-MA1-731	H15			84701-MC7-670		87508-MA1-750	I1	90118-471-000	H8
50710-ME7-610	G15	52460-MC7-000	H15	73000		84701-MG0-000					
50710-461-770	H10	52462-MA2-000	H15			84702-MA1-000	G15				
50711-MC7-000	H10	52463-MC7-003	H15	73146-538-000	G15			87508-MA1-770			
50712-MC7-000	H10	52465-MC7-300	H15								
50712-438-730	H10	52470-MA1-010	H15	77000							
50713-438-730	H10	52472-MC7-003	H15								
50715-MC5-000	H10	52474-MA1-003	H15								
50715-460-840	H11	52475-MA1-000	H15	77200-MC5-000	G15	87106-MC7-300	F10	87517-MB0-740ZC		90121-MA1-000	H13
50716-MC5-000	H11	52477-MC7-003	H15	77200-MC5-610	G15	87111-MG0-300ZA	F10	87517-MB0-770ZC	I10	90122-MC7-670	I5
50718-460-840	H11	52478-MC7-003	H15	77201-MC5-000	G15	87111-MG0-300ZB	I13	87517-MB0-840ZC	G13	90124-392-000	H14
		52485-MA2-003	H15	77204-312-000	G15	87111-MG0-300ZC	I13		G14	90125-MC7-000	H11
51000		52611-MC7-003	H15	77251-342-000	I11	87112-MG0-300ZA	I13	87518-MA1-670	I10	90130-MC7-000	G7
		52612-MA2-003	H15	80000	I11	87112-MG0-300ZB	I13	87518-MA1-720	I10	90133-MB0-000	G10
						87112-MG0-300ZC	I13	87560-MB0-620ZA	G14	90134-371-000	G10
51400-MG0-003	F14					87113-MG0-300ZA	I13	87560-MB0-670ZA	G14	90136-415-750	H8
51401-MG0-003	F14	53000				87113-MG0-300ZB	I13			90138-415-840	C2
51402-MA6-003	F14					87113-MG0-300ZC	I13	88000		90145-300-000	G6
51403-MA6-003	F14	53100-MG0-000	F9	80100-ME7-000	I1	87113-MG0-300ZD	I13			90145-460-840	F8
51405-MA6-003	F14	53101-MG0-000	F9	80100-ME7-610	I1	87113-MG0-300ZE	I13	88110-MC5-004	F6	90146-MC5-000	G16
51405-MC7-003	F14	53131-MC5-000	F9	80100-ME7-640	I1	87113-MG0-300ZF	I13			90147-460-840	F8
51410-MG0-003	F14	53141-422-000	F6	80101-MC5-000	I1	87113-MG0-300ZG	I13	88110-MC5-602	F7	90150-MC5-003	F3
51412-ME1-671	F14	53165-422-000	F6	80102-MC5-000	I1	87114-MG0-300ZA	I13	88110-MC5-711	F7	90152-MA1-000	H15
51412-461-003	F14	53166-422-000	F6	80105-MC7-000	I1	87114-MG0-300ZB	I13	88120-MC5-004	F7	90153-MA1-000	H15
				80106-028-010	I1	87114-MG0-300ZC	I13	88120-MC5-602	F7	90153-MB0-000	F15
				80110-MC5-000	I1	87114-MG0-300ZD	I13	88120-MC5-711	F7	90154-MA1-000	H15
				80114-MC7-000	I1	87114-MG0-300ZE	I13				

Part No. Address No.
 N° de pièce N° de Adresse
 Teile-Nr Adressen-Nr.

90155-369-000 F10
 90166-MC7-000 G16
 90170-MB0-000 G10
 90180-MA3-006
 90185-371-000
 90188-ME1-670
 90189-MA2-003
 90201-415-000
 90204-426-000
 90206-590-000
 90207-415-000
 90282-329-000
 90301-471-000
 90301-473-003
 90303-463-010
 90304-GA6-003
 90304-KA2-000
 90305-ME4-003
 90309-357-000
 90309-428-731
 90313-329-000
 90321-422-000
 90324-MA1-000
 90355-MA1-000
 90355-369-000
 90380-445-630
 90381-MB0-700
 90401-MA1-000
 90401-679-003
 90402-679-003
 90405-415-000
 90407-415-000
 90417-115-000
 90432-121-000
 90441-044-300
 90441-706-000
 90446-430-000
 90451-708-000
 90452-323-000
 90453-ME2-000
 90453-415-000
 90454-415-000
 90454-428-000
 90455-MA1-000
 90455-MC7-000
 90458-324-000
 90459-357-000
 90461-MC7-000
 90461-357-000
 90466-MC7-000
 90471-580-000
 90486-028-000

90486-028-000
 90501-310-000
 90502-ME1-670
 90503-ME1-670
 90522-170-700
 90534-011-000
 90535-MA3-000
 90541-371-000
 90543-273-000
 90544-283-000
 90545-300-000
 90581-MG0-000
 90600-MC7-611
 90601-300-000
 90662-MA1-003
 90701-415-000
 90702-ME2-000
 90841-001-000
 91000
 91005-634-004
 91005-634-008
 91008-374-003
 91010-MC7-003
 91021-ME2-003
 91021-415-005
 91022-426-008
 91051-MB0-005
 91052-MB0-003
 91061-MB0-005
 91062-MB0-005
 91066-MC7-003
 91066-MC7-004
 91101-516-000
 91105-415-000
 91201-023-020
 91201-706-003
 91202-283-013
 91202-415-003
 91202-415-004
 91211-415-003
 91211-415-004
 91212-422-006
 91252-MC7-003
 91254-461-003
 91254-461-004
 91257-MC7-003
 91257-230-005
 91258-410-013
 91261-MB0-000
 91261-MB0-003
 91261-MB0-005
 91261-ME9-005
 91262-MA0-013
 91262-MA0-015
 91262-MA1-005
 91262-ME9-003
 91262-ME9-005
 91265-MB0-000
 91265-MB0-003
 91268-463-003
 91301-027-000
 91301-250-000
 91301-268-020
 91301-268-020

D12 91301-469-003
 G6
 G2 91302-MC7-611
 F10 91302-001-000
 I5
 I6
 G14 91302-001-020
 G16 91302-044-013
 C5
 F15
 F15 91302-371-003
 F8
 G6 91302-377-000
 G7
 F5
 D10 91302-415-003
 H16
 C16 91302-657-000
 C9
 I10 91303-001-000
 91305-MC7-000
 91306-MC7-003
 91307-611-000
 D3
 D3
 D12
 D10
 91308-MC7-000
 C12 91308-MC7-003
 D1 91309-MC7-003
 D10 91309-300-000
 G11 91310-MC7-003
 G11 91311-415-000
 G11
 H14 91325-567-005
 H14
 D1
 C9 91356-MB0-000
 C16 91356-MB0-005
 C10 91356-371-000
 C14 91357-MB0-000
 D3 91357-MB0-003
 D3 91358-MB0-000
 C9 91363-MC7-004
 C9
 G6 91455-MB0-000
 G3
 92000
 F16
 F16 92000-06008
 H16
 G7
 G3 92000-06010
 G11 92000-06012
 G11 92000-06016-0H
 G11 92000-06016-1A
 G11 92100-08028-0A
 H14 92600-06032-0B
 H16 92700-06055-0B
 H16
 H16 92700-08045-0E
 G11 92700-08050-3B
 G11 92700-10090-0B
 G11 92700-10100
 G11
 H14
 F5 92712-06035-0E
 D4 92800-14000
 E1 93000
 C13 93500-03008-1A
 D4 93500-04016-1A
 E1

F16 93500-04025-0A
 H16 93500-05008-0A
 G2
 C11 93500-05010-1A
 C16 93500-05020-0G
 E1
 G11
 C6
 C7 93500-06012-4J
 D16 93500-06025-0G
 C4 93600-04010-1B
 D16 93600-04012-1G
 C10 93700-04008-0G
 C13 93700-05020-0G
 E1
 C4 93700-06050-0G
 D16 93891-05010-00
 C4 93891-05012-07
 D16 93891-05016-07
 D4 93891-05025-08
 E1 93891-05030-07
 G14 93891-05040-07
 F16 93891-05045-07
 C3 93891-06012-00
 C4 93891-06016-00
 D16 93892-04010-00
 D4 93892-04012-00
 F16 93892-04016-00
 F16 93892-05010-07
 C15 93892-05012-00
 F16 93892-05016-00
 C10 93892-06014-00
 E1 93893-04012-18
 C6
 C7 93893-05010-08
 D16 93893-05018-07
 G11 93901-24120
 G11 93901-24680
 F16 93901-32020
 G11 93901-34120
 G11
 G8 93901-34320
 C13 93901-34680
 E1 93903-24320
 F16 93903-34420
 94000
 94001-04000
 94001-04000-0S
 C13 94001-05070-0S
 F16 94001-05080-0S
 G2 94001-08000-0S
 G11 94002-06000
 H3 94002-06000-0S
 H11 94002-06080
 H14 94002-08000-0S
 C3 94011-08000-0S
 C6 94021-06070-0S
 C7 94030-08000
 G12 94030-10000
 F16 94031-10000
 D4 94050-05080
 C6
 C7 94050-06000
 G8
 D6 94050-06080
 F3
 F5

H6 94050-06080
 C6
 C7 94050-08080
 F16 94050-10000
 C6
 C7
 C9 94050-12000
 H6
 C3 94101-04700
 I12 94101-06000
 F16 94101-06800
 F8 94101-08000
 D4
 F5
 G4 94103-06000
 F10 94109-14000
 F13 94111-04700
 F10 94111-04800
 I1 94111-05000
 I7 94111-06000
 F7 94111-06800
 F7 94111-08000
 F7 94201-16150
 C14
 G16 94201-20150
 D14 94201-30400
 D14 94251-06000
 D14 94301-08140
 G5
 D14
 D14
 F8 94301-10160
 G6
 C3 94301-14200
 F7 94305-40222
 I5 94510-10000
 I5 94510-11000
 I5 94601-21000
 D4 94608-50000
 H6
 I5
 I5
 F5
 F5 95000
 F5 95001-75140-40
 C16 95001-75350-40
 F7 95001-75500-40
 C3 95001-75550-40
 H11 95002-01150
 C15 95002-02070
 F7 95002-02120
 H4
 G6
 H14 95002-02130
 I1 95002-02650
 F16 95002-35000
 I10 95002-41050-08
 H12 95005-35200-20
 I1 95005-35750-30
 I8 95005-80100-20
 F5 95011-61000
 F8 95012-11000
 H8 95014-41000
 G14 95014-61200
 I1 95014-71902
 I5 95014-72102
 I6

I7 95014-72402
 I12 95015-81000
 H8 95700-06010-00
 C6
 C7 95700-06010-07
 D5
 I8
 I10 95700-06010-08
 F5 95700-06012-00
 H11
 G12
 F16 95700-06012-07
 H11
 H14 95700-06012-08
 H4
 D6 95700-06014-00
 F5
 C16 95700-06016-00
 C15
 C15
 H4 95700-06016-08
 F16
 G6
 H11 95700-06020-00
 H14 95700-06020-07
 H2 95700-06025-00
 G16
 C6
 C7 95700-06028-00
 C11
 C13 95700-06032-00
 D5
 C14 95700-06032-07
 C16 95700-06035-07
 C5 95700-06040-00
 F10 95700-06060-00
 C10 95700-08020-08
 C15
 D8 95700-08022-00
 C4 95700-08025-00
 C16 95700-08028-00
 D16 95700-08028-08
 E1 95700-08032-00
 95700-08040-00
 95700-08040-08
 95700-08065-00
 G14 95700-10020-07
 C3 95700-10035-07
 I8 95700-10040-00
 I8 95725-06025-00
 H6 95725-06025-08
 G14 95800-10025-08
 C3 95800-10040-00
 G14
 I9 95800-10070-00
 H6
 D14 96000
 G14
 C4 96000-06014-00
 G14
 G14 96000-06018-00
 H6 96000-06022-00
 H8
 I11 96000-06025-00
 F16
 I7 96000-06025-07
 H12 96000-06028-00
 H12 96000-06028-00

H12
 H11
 F11
 G2
 F11
 G5
 I12
 H2
 C4
 D5
 G6
 F11
 H14
 H4
 I1
 C11
 C13
 D2
 D5
 I2
 F13
 H4
 H6
 H9
 I12
 C4
 C13
 D12
 H9
 H12
 C13
 D5
 I12
 H4
 D1
 C14
 G16
 H8
 H11
 D5
 H11
 G14
 H14
 C16
 H8
 C14
 F3
 F12
 H11
 D12
 I7
 H12
 G2
 I9
 I10
 C11
 C16
 C15
 C6
 C7
 C4
 C14
 F7
 F8
 C9
 C10

Part No. N° de pièce Teile-Nr	Address No. N° de Adresse Adressen-Nr.
96000-06028-00	C11
96000-06032-00	C16
96000-06035-00	C15
96000-06040-00	C14
	D6
96100-60000-00	C12
96100-63051-00	D10
96140-62040-00	D10
96140-63020-10	G4
96140-63030-10	G8
96211-05000	F16
96211-08000	F12
96220-40118	D12
96220-40140	D12
98000	
98069-58916	C6
	C7
98069-58926	C6
	C7
98069-59916	C6
	C7
98069-59926	C6
	C7
98200-21500	F10
98200-53000	H4
99000	
99001-08120	I11
99001-10120	I11
99001-14170	I11
99002-13500	I11
99003-10000	I11
99003-20000	I11
99003-30000	I11
99003-50000	I11
99006-12000	I11
99006-24000	I11
99101-393-0720	D14
99101-393-0780	D14
99102-393-1150	D14
99102-393-1180	D15
99103-MA1-0450	D15