



HONDA

CX500C_c



**PARTS CATALOGUE
CATALOGUE DE PIECES
TEILE-KATALOG
CATALOGO DE PIEZAS**

1



CX500C_e-CM

3. Abbreviations

The following abbreviations are used in this parts catalogue.

ASSY.	Assembly	KPH	Kilometers per hour
COMP.	Complete	MPH	Miles per hour
R.	Right	L (100L)	Link (100Links)
L.	Left	A.C.	Alternating current
STD.	Standard	D.C.	Direct current
MM	Millimeter	IN.	Inlet
G	Gram	EX.	Exhaust
T (22T)	Tooth (22Teeth)	FR.	Front
A	Ampere	RR.	Rear
V	Volt	HEX.	Hexagonal
W	Watt	A.M.	Attaching mark
		T.M.	Transcript mark

4. Dimensions

All dimensions are given in millimeters (mm) except in the case of steel balls, tires and tire tubes.

Parts	Example	Interpretation
Bolt (Screw)	6×12	6mm diameter, 12mm length
Pin	8×14	8mm diameter, 14mm length
O-Ring	9.5×1.6	9.5mm diameter, 1.6mm thickness
Oil seal	14×24×5	14mm inside diameter, 24mm outside diameter, 5mm thickness
Tube	5×130	5mm inside diameter, 130mm length

5. Supersedence of parts

Part numbers given under the part name in the "Description" column indicate that the part number has been superseded by that part number. HONDA may make such supersedence without notice.

6. Assemblies

Sections framed with broken lines in the exploded view drawings are available as complete assemblies. (Their individual parts can also be obtained.)

7. Required quantity

The number given in the "Reqd. No." column indicates the quantity of parts used in the section described in that block.

Parts with quantities in () represent optional parts.

"N" means order as needed.

8. Part modifications and applicable serial numbers

In cases where a part has been modified, the serial number of the first vehicle (or frame, engine, carburetor, final driven gear) bearing the modification is listed in the "Serial No." column.

9. Models, area codes and applicable serial numbers

Models, area codes and applicable serial Nos. given in this parts catalogue can be identified as follows.

Parts with area codes are exclusive for models destined for countries designated.

If no area codes are listed, parts are for common use.

Model	Area code	Type	Applicable engine serial No.	Applicable frame serial No.	Applicable carburetor identification No.	Applicable final driven gear No.
CX500Cc	CM	Canada	PC01E-2304270 ~	PC010* CM304258 ~	VB25B <u>C</u> ~	F-3208164 ~
	DE	Denmark	PC01E-2303687 ~	PC01-2300008 ~	VB37A <u>E</u> ~	
	E	England	PC01E-2303681 ~	PC01-2300002 ~		
	ED	European direct sales	PC01E-2303682 ~	PC01-2300003 ~		
	F	France	This type is not yet produced.			
	IT	Italy	PC01E-2303686 ~	PC01-2300007 ~	VB37A <u>E</u> ~	F-3208164 ~
	ND	Northern Europe	PC01E-2303688 ~	PC01-2300009 ~		
	U	Australia	This type is not yet produced.			
	1G	Germany (*1)	PC01E-2303680 ~	PC01-2300001 ~	VB39A <u>B</u> ~	F-3208164 ~
2G	Germany (*2)	PC01E-3200001 ~	PC01-3200001 ~	VB39B <u>B</u> ~		

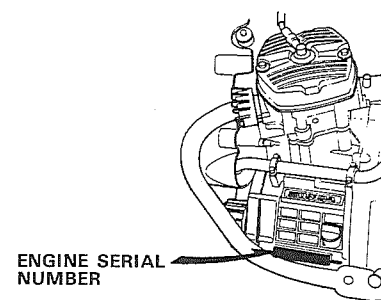
*1: Full power type

*2: 27PS type

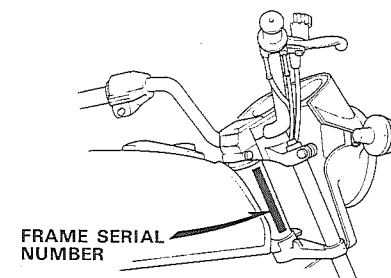
* Of carburetor identification numbers, only the portions underlined in the example below are used for registration.

VB37A D KC ア

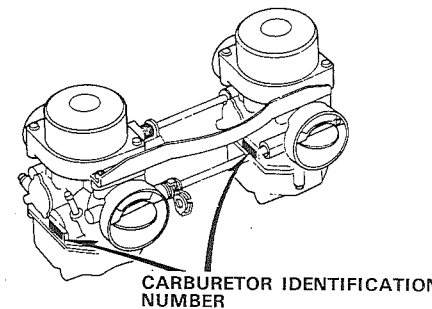
10. Location of stamped serial number



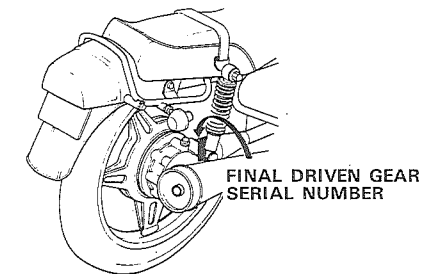
B415-0A



B415-0B

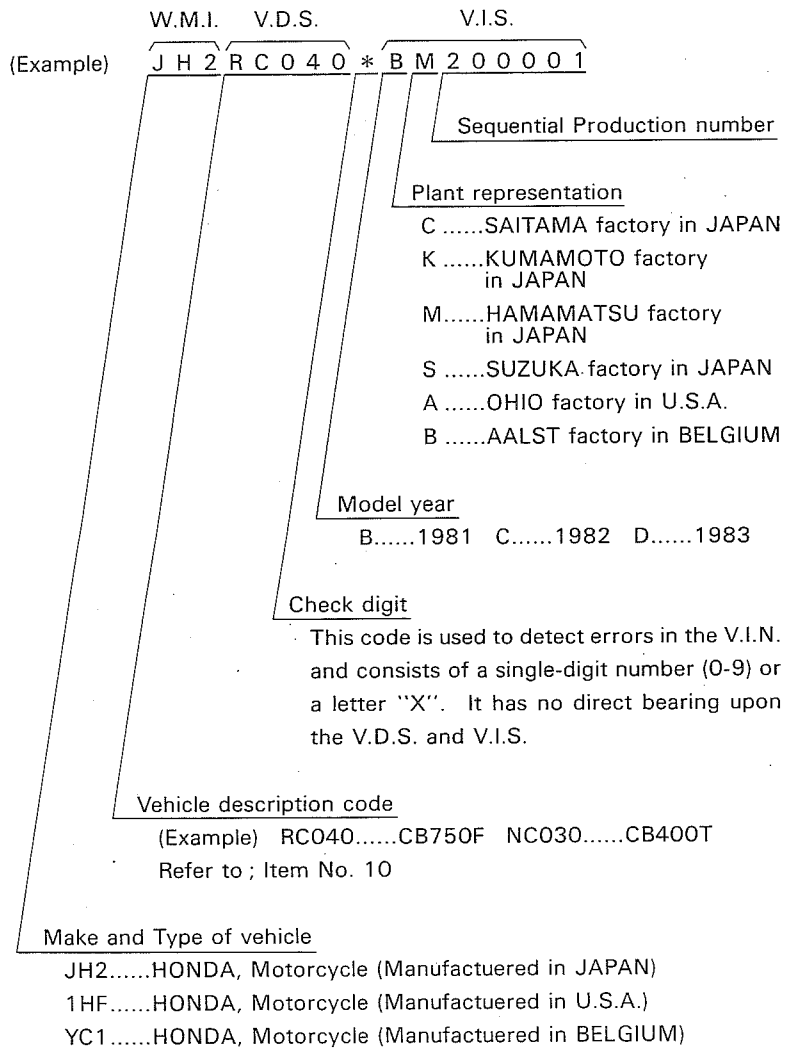


B415-0C



B415-0D

11. Construction of vehicle identification number (V.I.N.)



W.M.I.World manufacturer identifier
 V.D.S.Vehicle descriptor section
 V.I.S.Vehicle indicator section

Any change or modification of parts is directly related to the V.D.S. and V.I.S. A V.I.S. number will appear in the "Serial No." column of the Parts Catalog if a part is changed or modified.

III. How to use the flat rate time (F.R.T.)

This F.R.T. (Flat Rate Time) is used to determine the standard labor time allowed for replacement of parts covered by the warranty during the period the warranty is in effect. The F.R.T. for those parts which are not listed herein should be determined from the operation closely related to the replacement of that part.

1. The F.R.T. is based on the following servicing conditions

- A liberal allowance is added to the net servicing time.
- Standard times specified are based on the condition that the necessary servicing tools listed in the service manual (motorcycle) which describes the HONDA service policy are available close at hand and the work performed by a mechanic with normal skill.
- Time required for inspection and operational test following the servicing is included in the F.R.T.

2. Method of computing

The job times are listed in tenth of an hour to simplify computation.

- (Example) 0.3 = 18 minutes
 5.6 = 5 hours and 36 minutes

CONVERSION CHART			
Hours	Minutes	Hours	Minutes
0.1	6	0.6	36
0.2	12	0.7	42
0.3	18	0.8	48
0.4	24	0.9	54
0.5	30	1.0	60

3. Computing the F.R.T.

When several jobs are performed at the same time, make the calculation in the following manner.

a. Jobs of non duplicated nature

The F.R.T. for the job is obtained by totalling the F.R.T. for each part replaced.

(Example) Replacement of cylinder head and clutch spring.

Service item	F.R.T.
Cylinder head	1.9
Clutch spring	0.4

The F.R.T. for the job is: $1.9+0.4=2.3$

b. Jobs of duplicated nature

Take the F.R.T. for the last part to be replaced.

(Example) Replacement of piston and cylinder head gasket.

Service item	F.R.T.
Cylinder head gasket	1.0
Piston	2.7

The F.R.T. for the job is: 2.7

c. Jobs of partially related nature

Total up the F.R.T. for all of the parts replaced and then subtract the F.R.T. for the duplicated operation.

(Example) Replacement of gear shift drum and cam chain.

Service item	F.R.T.
Gear shift drum	*3.7
Cam chain	*3.5
Cover RR. Separation	*2.7

The F.R.T. for the job is: $(3.7+3.5)-2.7=4.5$

Cover RR. Separation is the duplicated operations.

- The F.R.T. shown with (*) includes engine removal and installation.

4. Operations other than replacing parts

a. Removal and installation

No.	Service item	F.R.T.
1	Engine	2.7
2	Cylinder head	1.0
3	Carburetor	0.8
4	Radiator	0.6
5	Final driven gear	0.5

b. Adjustment, measurement and cleaning

Engine

No.	Service item	F.R.T.
1	Spark plug-adjustment and cleaning	0.2
2	Tappet adjustment	0.7
3	Carburetor idle-adjustment	0.2
4	Engine oil-inspection (excluding oil change)	0.1
5	Clutch-adjustment	0.1
6	Cleaner element-cleaning	0.1
7	Compression-pressure measurement	0.2
8	Battery-checking of electrolyte level and gravity	0.2
9	Carburetor-float level measurement	1.2
10	Oil filter cleaning	0.2
11	Throttle operation-adjustment	0.1
12	Carburetor synchronization-adjustment	0.3
13	Exterior of radiator corecleaning	0.3

Frame

No.	Service item	F.R.T.
1	Front brake-air bleeding	0.1
2	Rear brake-adjustment	0.1
3	Brake-operation test	0.1
4	Headlight-aimings	0.2
5	Front wheel balance	0.8
6	Rear wheel balance	0.9

c. Overhaul

No.	Service item	F.R.T.
1	Carburetor	1.8
2	Final driven gear	1.4

September 10, 1981

HONDA MOTOR CO., LTD.

C 2

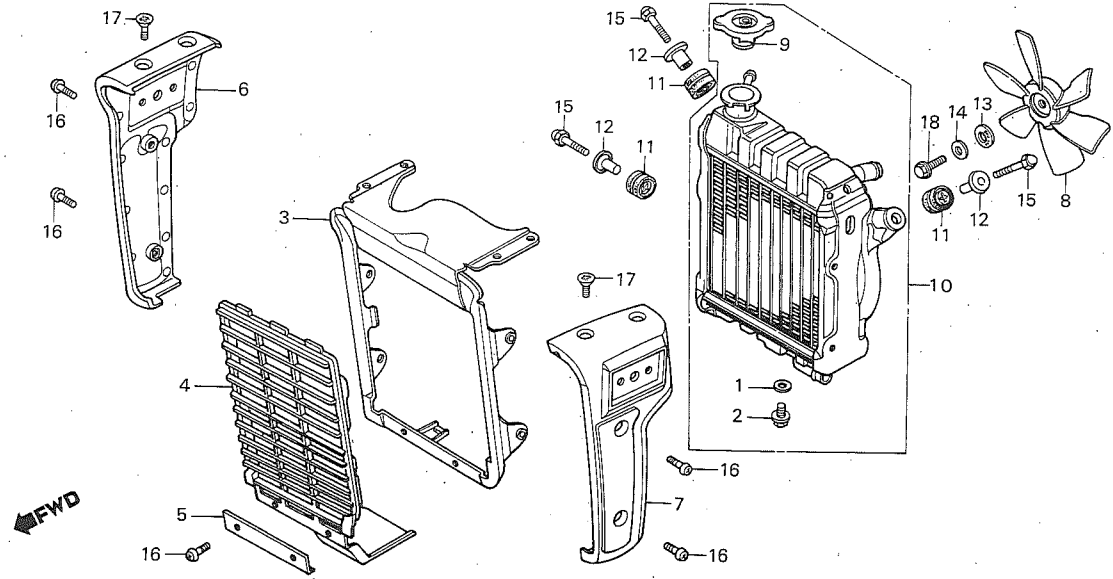
E-1

Radiator · Cooling fan

Radiateur · Ventilateur

Kühler · Kühlgebläse

Radiator · Ventilador



B415-72A

Service item	F.R.T.	Ref. No.	Part No.	Description	Reqd. No. CX500Cc	Serial No.	Area code
COVER COMP., RADIATOR	0.2	1	19012-611-003	GASKET, DRAIN COCK	1		
GRILLE COMP., RADIATOR	0.1	2	19013-415-004	COCK, DRAIN	1		
PLATE, SIDE RADIATOR		3	19031-470-670	COVER COMP., RADIATOR	1		
CAP COMP., RADIATOR		4	19032-449-000	GRILLE COMP., RADIATOR	1		
FAN COMP., COOLING	0.6	5	19033-470-670	COVER, RADIATOR LOWER	1		
RADIATOR ASSY.		6	19035-449-000	PLATE, R. SIDE RADIATOR	1		
		7	19036-449-000	PLATE, L. SIDE RADIATOR	1		
		8	19040-MA1-000	FAN COMP., COOLING	1		
		9	19045-449-770	CAP COMP., RADIATOR	1		
		10	19110-449-771	RADIATOR ASSY.	1		
		11	19115-415-000	RUBBER, RADIATOR MOUNTING	3		
		12	19119-449-000	COLLAR, RADIATOR MOUNTING	3		
		13	90401-415-000	WASHER, LOCK	1		

C 3

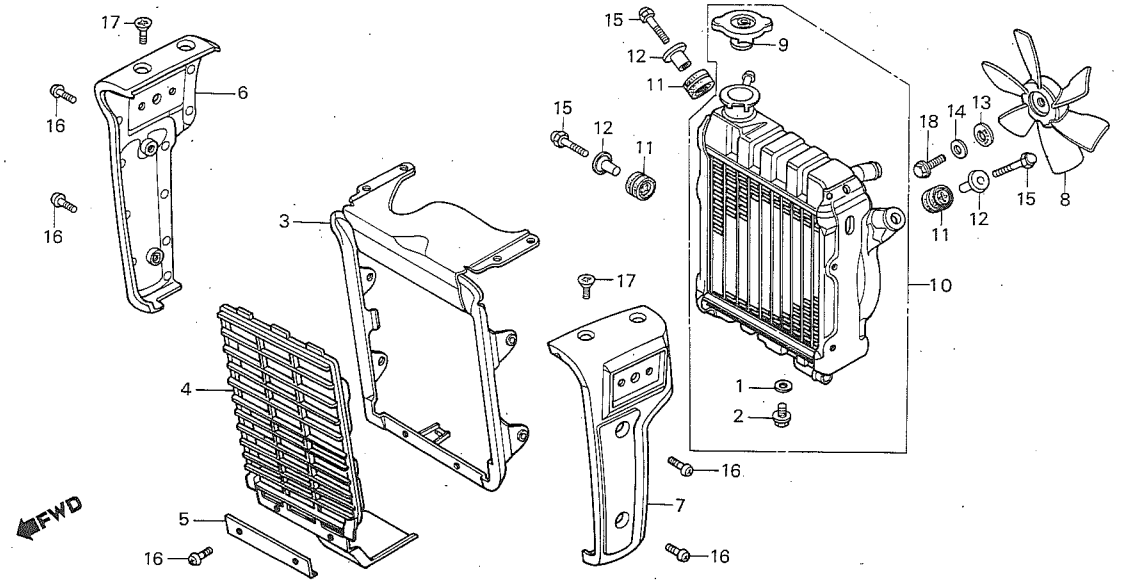
E-1

Radiator · Cooling fan

Radiateur · Ventilateur

Kühler · Kühlgebläse

Radiador · Ventilador



B415-72A

Service item	F.R.T.	Ref. No.	Part No.	Description	Reqd. No. CX500Cc	Serial No.	Area code
		14	90509-642-000	WASHER, PLAIN, 8MM	1		
		15	92600-06032-0B	BOLT, CAP, 6X32	3		
		16	93500-06012-0B	SCREW, PAN, 6X12	6		
		17	93600-06012-0B	SCREW, FLAT, 6X12	4		
		18	95700-08025-00	BOLT, FLANGE, 8X25	1		



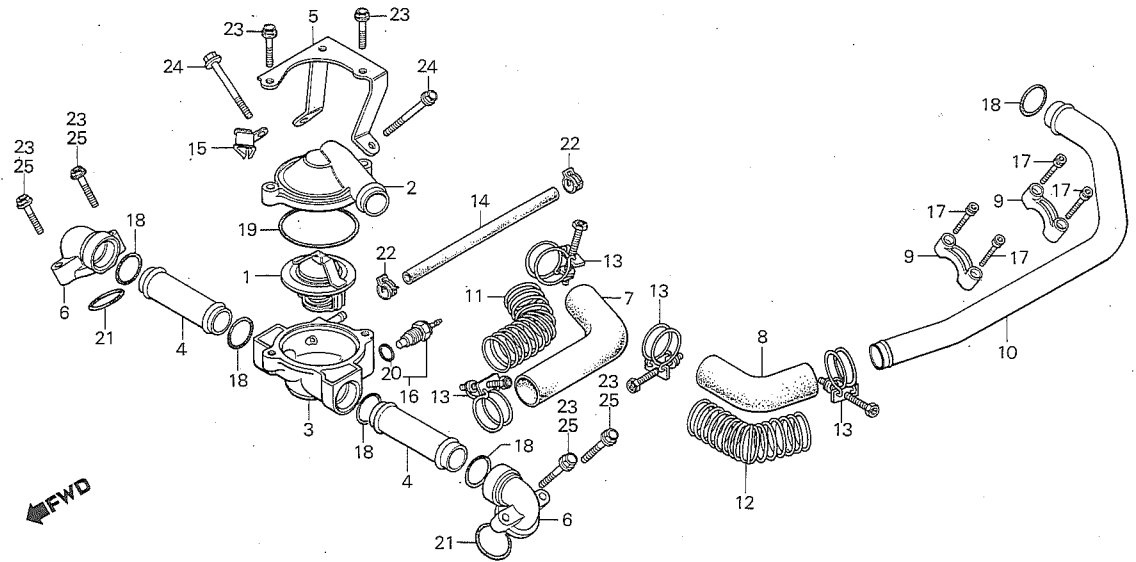
E-2

Thermostat · Water pipe

Thermostat · Tuyau d'eau

Thermostat · Wasserrohr

Thermóstato · Tubo de agua



B415-2A

Service item	F.R.T.	Ref. No.	Part No.	Description	Reqd. No. CX500Cc	Serial No.	Area code
THERMOSTAT UNIT	0.3	1	19300-611-005	THERMOSTAT UNIT	1		
COVER, THERMOSTAT		2	19315-415-000	COVER, THERMOSTAT	1		
SENDING UNIT, WATER TEMPERATURE		3	19411-415-000	CASE, THERMOSTAT	1		
CASE, THERMOSTAT	0.4	4	19414-415-000	PIPE, UPPER WATER	2		
HOSE, LOWER WATER		5	19418-415-010	STAY, THERMOSTAT	1		
PIPE, RR. WATER		6	19421-415-000	JOINT A, WATER PIPE	2		
PIPE, UPPER WATER	0.2	7	19501-415-000	HOSE, UPPER WATER	1		
JOINT A, WATER PIPE		8	19502-415-000	HOSE, LOWER WATER	1		
TUBE, 5X240		9	19503-415-000	CLAMP, WATER PIPE	2		
HOSE, UPPER WATER	0.6	10	19504-415-000	PIPE, RR. WATER	1		
		11	19511-449-000	WIRE A, GUARD	1		
		12	19512-449-000	WIRE B, GUARD	1		
		13	19515-449-000	BAND, HOSE	4		
		14	19521-415-000	TUBE, 5X240	1		
		15	32111-333-000	CLAMPER A, CORD	1		
		16	37750-611-154	SENDING UNIT, WATER TEMPERATURE	1		
		17	90089-415-000	BOLT, SPECIAL, 5X22	4		



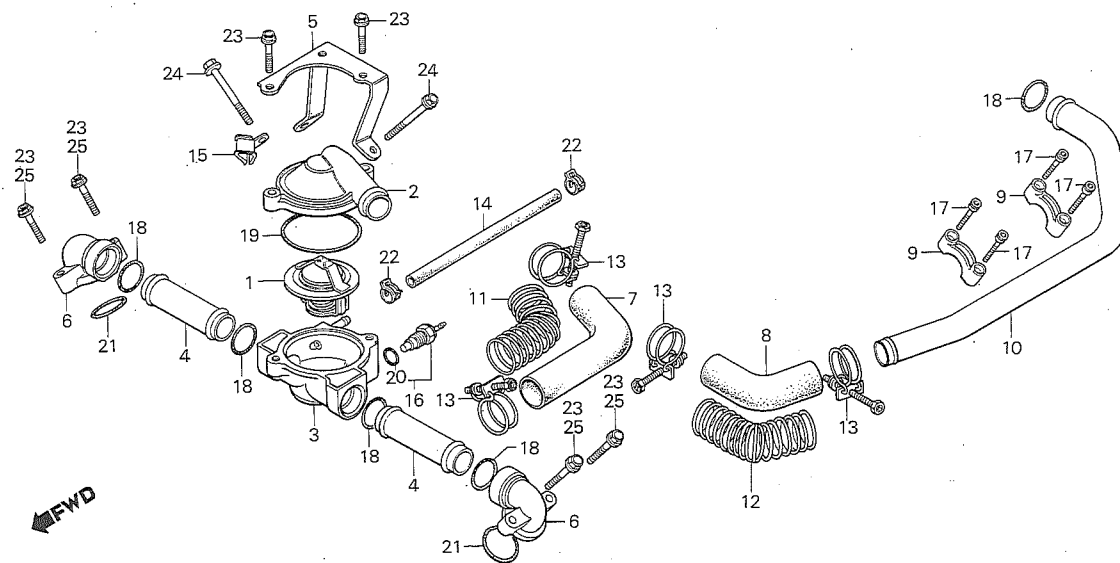
E-2

Thermostat · Water pipe

Thermostat · Tuyau d'eau

Thermostat · Wasserrohr

Thermóstato · Tubo de agua



B415-2A

Service item	F.R.T.	Ref. No.	Part No.	Description	Reqd. No. CX500Cc	Serial No.	Area code
		18	91302-371-003	O-RING, 21.9X2.3	5		
		19	91302-657-000	O-RING, 53.8X3.1	1		
		20	91307-611-000	O-RING, 13.5X1.4	1		
		21	94608-50000	O-RING, 23X2.8	2		
		22	95002-41050-08	CLIP D10.5, TUBE	2		
		23	95700-06025-00	BOLT, FLANGE, 6X25	6		CM
		24	95700-06050-00	BOLT, FLANGE, 6X50	2		DE,E,ED,F,IT,ND,U,1G,2G
		25	96000-06025-00	BOLT, FLANGE, 6X25	4		DE,E,ED,F,IT,ND,U,1G,2G



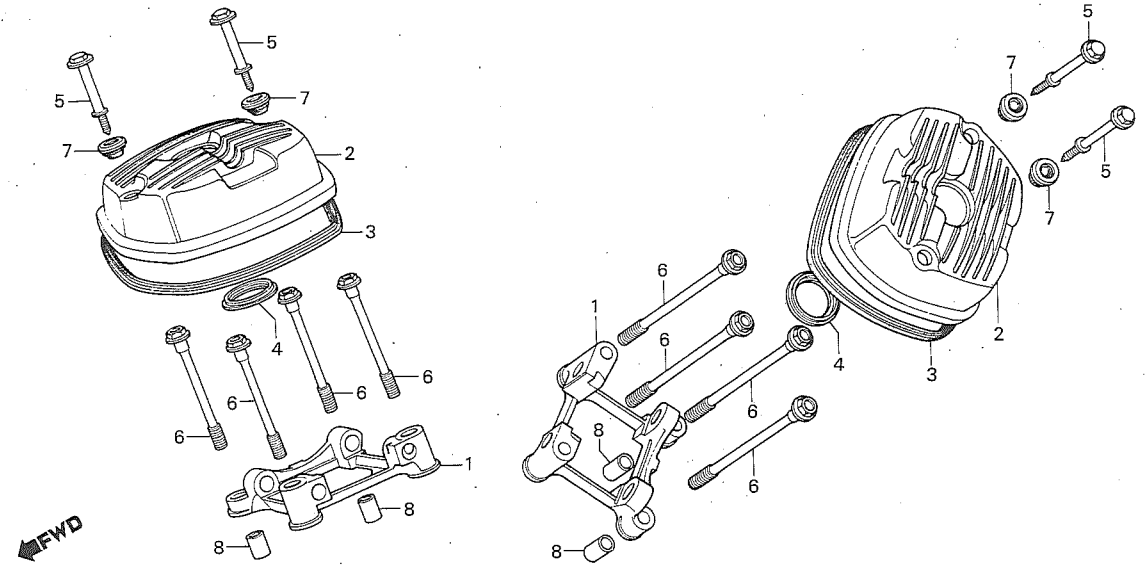
E-3

Cylinder head cover

Couvercle de culasse

Zylinderkopfdeckel

Cubierta de culata



B415-3

Service item	F.R.T.	Ref. No.	Part No.	Description	Reqd. No. CX500Cc	Serial No.	Area code
HOLDER, VALVE ROCKER ARM	0.8	1	12215-415-000	HOLDER, VALVE ROCKER ARM	2		
COVER, CYLINDER HEAD	0.2	2	12311-449-000	COVER, CYLINDER HEAD	2		
GASKET, HEAD COVER	0.1	3	12328-415-000	GASKET, HEAD COVER	2		
		4	12329-415-000	GASKET, PLUG HOLE	2		
		5	90016-415-000	BOLT, SPECIAL, 6X45.5	4		
		6	90021-415-000	BOLT, FLANGE, 12X150	8		
		7	90541-371-000	RUBBER, MOUNTING	4		
		8	94301-14200	PIN A, DOWEL, 14X20	4		

C 7

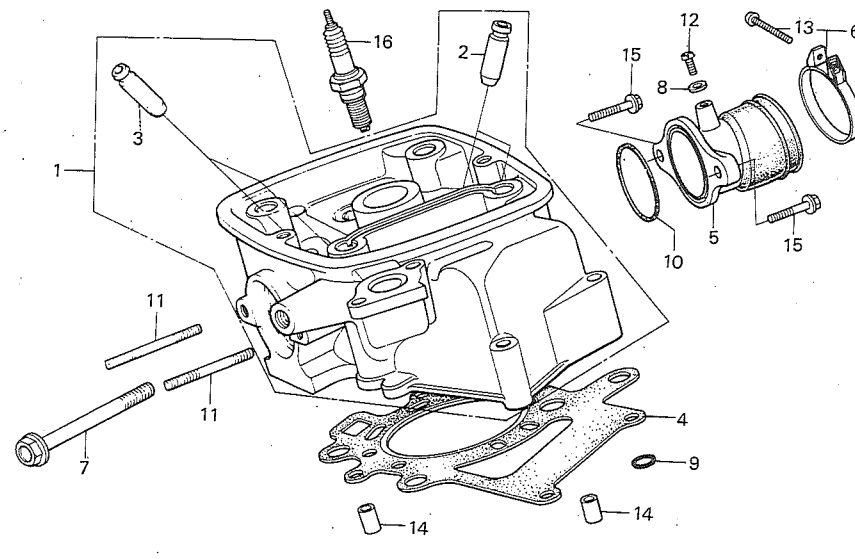
E-4

Right cylinder head

Culasse droit

Rechter Zylinderkopf

Culata drecha



B415-4A

Service item	F.R.T.	Ref. No.	Part No.	Description	Reqd. No. CX500Cc	Serial No.	Area code
HEAD COMP., R. CYLINDER	1.9	1	12200-MA1-000	HEAD COMP., R. CYLINDER	1		
GUIDE, VALVE	1.3	2	12231-415-305	GUIDE, IN. VALVE	2		
(INC. REAMING)		3	12241-415-305	GUIDE, EX. VALVE	2		
(ADD 0.2 FOR EACH.)		4	12251-415-014	GASKET, CYLINDER HEAD	1		
(EXC. VALVE REFACING)		5	16211-449-003	INSULATOR, R. CARBURETOR	1		
(ADD MORE 0.2 IF PERFORMED.)							
GASKET, CYLINDER HEAD	1.0	6	17255-356-000	BAND, CARBURETOR INSULATOR	1		
INSULATOR, R. CARBURETOR	0.2	7	90025-449-000	BOLT, FLANGE, 10X75	1		
BOLT, STUD, 6X55		8	90452-323-000	WASHER, THRUST, 5MM	1		
(ADD 0.1 FOR EACH.)		9	91302-044-003	O-RING, 6.9X1.5	1		
		10	91325-567-005	O-RING, 40X2.4	1		
		11	92700-06055	BOLT, STUD, 6X55	2		
		12	93500-05008-0A	SCREW, PAN, 5X8	1		
		13	93500-05020-0G	SCREW, PAN, 5X20	1		
		14	94301-08140	PIN A, DOWEL, 8X14	2		
		15	96000-06022-00	BOLT, FLANGE, 6X22	2		
		16	98069-38716	PLUG, SPARK (DR8ES-L NGK)	1		



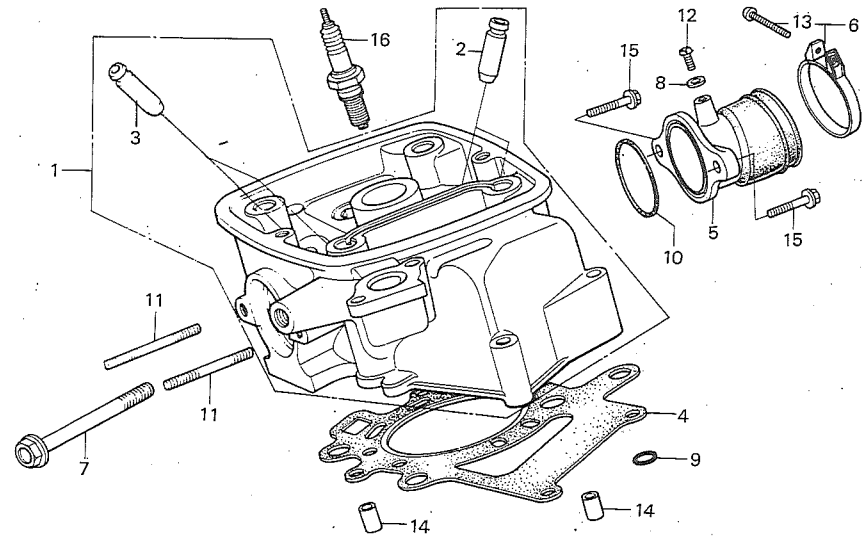
E-4

Right cylinder head

Culasse droit

Rechter Zylinderkopf

Culata drecha



B415-4A

Service item	F.R.T.	Ref. No.	Part No.	Description	Reqd. No. CX500Cc	Serial No.	Area code
			98069-58716	PLUG, SPARK (DR8ES NGK)	(1)		
			98069-58726	PLUG, SPARK (X24ESR-U ND)	1		
			98069-59726	PLUG, SPARK (X27ESR-U ND)	(1)		

C 9

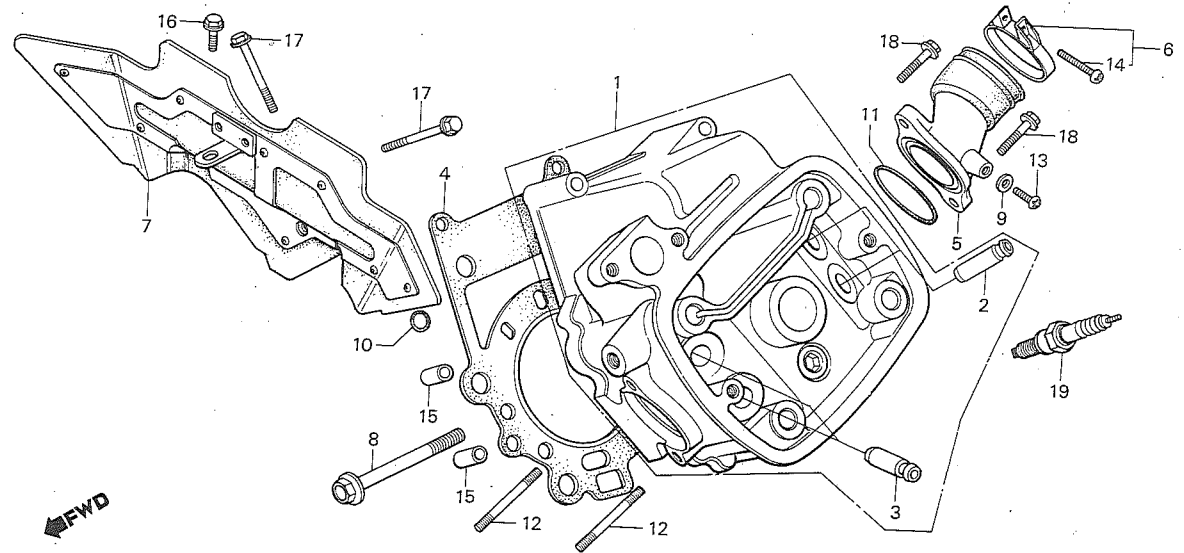
E-5

Left cylinder head

Culasse gauche

Linker Zylinderkopf

Culata izquierda



B415-5B

Service item	F.R.T.	Ref. No.	Part No.	Description	Reqd. No. CX500Cc	Serial No.	Area code
HEAD COMP., L. CYLINDER	1.9	1	12210-MA1-000	HEAD COMP., L. CYLINDER	1		
GUIDE, VALVE	1.3	2	12231-415-305	GUIDE, IN. VALVE	2		
(INC. REAMING)		3	12241-415-305	GUIDE, EX. VALVE	2		
(ADD 0.2 FOR EACH.)		4	12251-415-014	GASKET, CYLINDER HEAD	1		
(EXC. VALVE REFACING)		5	16221-449-003	INSULATOR, L. CARBURETOR	1		
(ADD MORE 0.2 IF PERFORMED.)							
GASKET, CYLINDER HEAD	1.0	6	17255-356-000	BAND, CARBURETOR INSULATOR	1		
INSULATOR, L. CARBURETOR	0.2	7	19530-449-010	SPOILER COMP., AIR	1		
BOLT, STUD, 6X55		8	90025-449-000	BOLT, FLANGE, 10X75	1		
(ADD 0.1 FOR EACH.)		9	90452-323-000	WASHER, THRUST, 5MM	1		
SPOILER COMP., AIR	0.3	10	91302-044-003	O-RING, 6.9X1.5	1		
		11	91325-567-005	O-RING, 40X2.4	1		
		12	92700-06055	BOLT, STUD, 6X55	2		
		13	93500-05008-0A	SCREW, PAN, 5X8	1		
		14	93500-05020-0G	SCREW, PAN, 5X20	1		
		15	94301-08140	PIN A, DOWEL, 8X14	2		
		16	95700-06012-00	BOLT, FLANGE, 6X12	1		
		17	95700-06050-00	BOLT, FLANGE, 6X50	2		

C 10

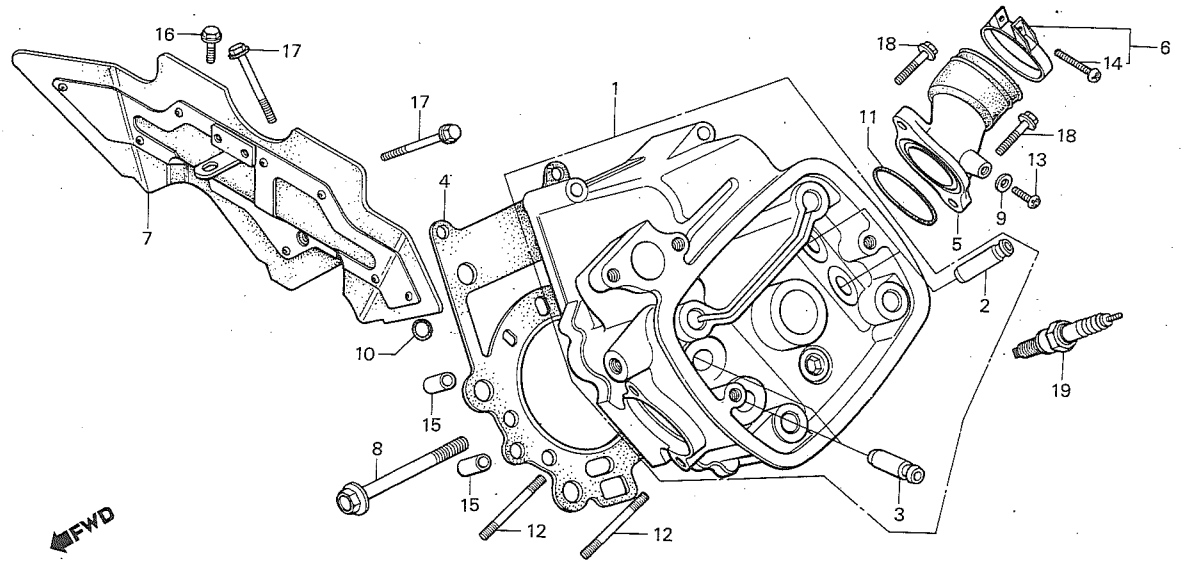
E-5

Left cylinder head

Culasse gauche

Linker Zylinderkopf

Culata izquierda



B415-5B

Service item	F.R.T.	Ref. No.	Part No.	Description	Reqd. No. CX500Cc	Serial No.	Area code
		18	96000-06022-00	BOLT, FLANGE, 6X22	2		
		19	98069-38716	PLUG, SPARK (DR8ES-L NGK)	1		
			98069-58716	PLUG, SPARK (DR8ES NGK)	(1)		
			98069-58726	PLUG, SPARK (X24ESR-U ND)	1		
			98069-59726	PLUG, SPARK (X27ESR-U ND)	(1)		

C 11

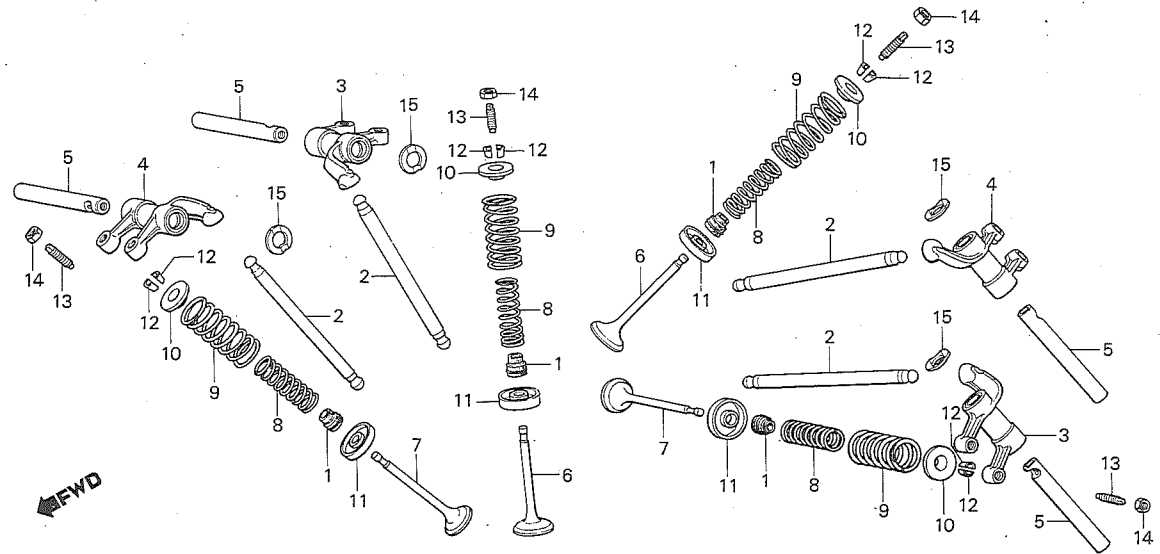
E-6

Valve · Upper rocker arm

Soupape · Culbuteur supérieur

Ventil · Oberer Kipphebel

Válvula · Balacín superior



B415-6

Service item	F.R.T.	Ref. No.	Part No.	Description	Reqd. No. CX500Cc	Serial No.	Area code
ROD COMP., PUSH	0.5	1	12209-300-003	SEAL, VALVE STEM	8		
ARM COMP. UPPER ROCKER	0.8	2	14410-415-000	ROD COMP., PUSH	4		
INC. RELATIVE PART		3	14420-MA1-000	ARM COMP. A, UPPER ROCKER	2		
VALVE	1.3	4	14430-MA1-000	ARM COMP. B, UPPER ROCKER	2		
(ADD 0.2 FOR EACH.)		5	14450-415-010	SHAFT COMP., UPPER ROCKER ARM	4		
(INC. REFACING)		6	14711-415-000	VALVE, IN.	4		
(EXC. VALVE GUIDE REPLACEMENT)	1.2	7	14721-415-000	VALVE, EX.	4		
SPRING, VALVE INNER		8	14751-415-005	SPRING, VALVE INNER	8		
INC. RELATIVE PART		9	14761-415-005	SPRING, VALVE OUTER	8		
(ADD 0.1 FOR EACH.)		10	14771-551-020	RETAINER, VALVE SPRING	8		
		11	14775-300-000	SEAT, VALVE SPRING	8		
		12	14781-551-000	COTTER, VALVE	16		
		13	90012-415-000	SCREW, TAPPET ADJUSTING	8		
		14	90205-300-000	NUT, TAPPET ADJUSTING	8		
		15	90405-415-000	WASHER, WAVE, 1.5MM	4		

C 12

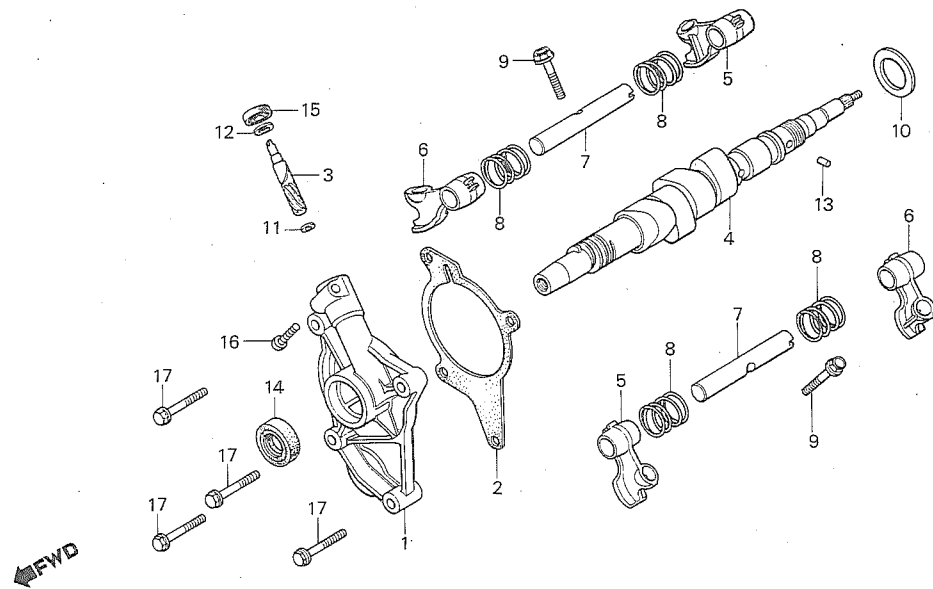
E-7

Camshaft · Lower rocker arm

Arbre à cames · Culbuteur inférieur

Nockenwelle · Unterer Kipphebel

Arbol de levas · Balancín inferior



BMA1-5

Service item	F.R.T.	Ref. No.	Part No.	Description	Reqd. No. CX500Cc	Serial No.	Area code
HOLDER, CAMSHAFT	1.0	1	12221-415-030	HOLDER, CAMSHAFT	1		
GASKET, CAMSHAFT HOLDER	0.8	2	12230-449-700	GASKET, CAMSHAFT HOLDER	1		
GEAR, TACHOMETER	0.9	3	12431-415-010	GEAR, TACHOMETER	1		
INC. RELATIVE PART		4	14100-MA1-000	CAMSHAFT COMP.	1		
OIL SEAL, 17X28X7		5	14441-415-010	ARM A, LOWER ROCKER	2		
CAMSHAFT COMP.	*4.2						
SHAFT, LOWER ROCKER ARM	*3.8	6	14442-415-010	ARM B, LOWER ROCKER	2		
INC. RELATIVE PART		7	14451-415-000	SHAFT, LOWER ROCKER ARM	2		
(ADD 0.5 FOR EACH.)		8	14453-415-000	SPRING A, VALVE ROCKER ARM	4		
		9	90008-415-000	BOLT, SPECIAL, 6X30	2		
		10	90407-415-000	WASHER, THRUST, 26MM	1		
		11	90441-044-300	WASHER	1		
		12	90458-324-000	WASHER, THRUST, 6.7MM	1		
		13	91105-415-000	ROLLER, 5X8.5	1		
		14	91201-415-003	OIL SEAL, 17X28X7	1		
		15	91211-415-003	OIL SEAL, 6X14.5X5	1		

C 13

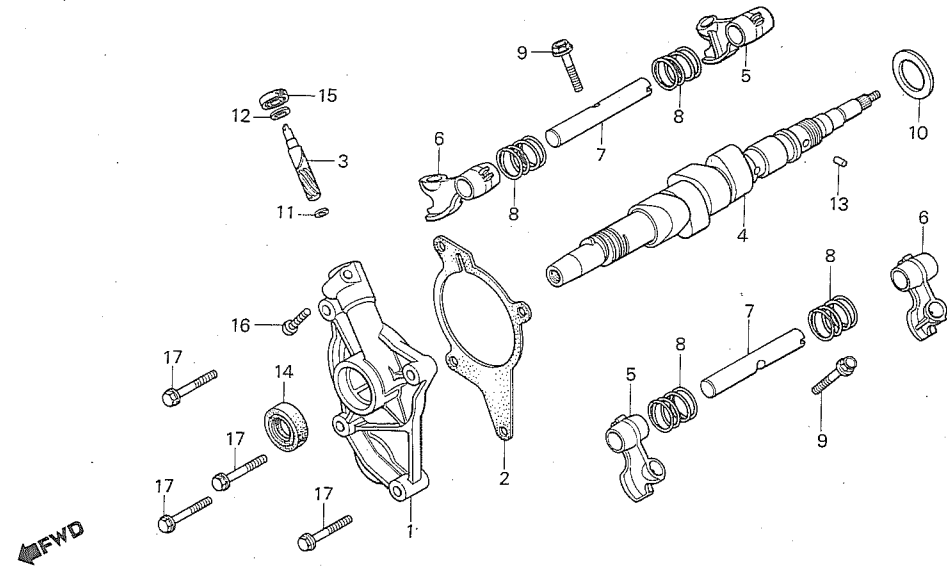
E-7

Camshaft · Lower rocker arm

Arbre à cames · Culbuteur inférieur

Nockenwelle · Unterer Kipphebel

Arbol de levas · Balancín inferior



BMA1-5

Service item	F.R.T.	Ref. No.	Part No.	Description	Reqd. No. CX500Cc	Serial No.	Area code
			91211-415-004	OIL SEAL, 6X14.5X5	1		
		16	93500-05020-0G	SCREW, PAN, 5X20	1		
		17	96000-06028-00	BOLT, FLANGE, 6X28	4		

C 14

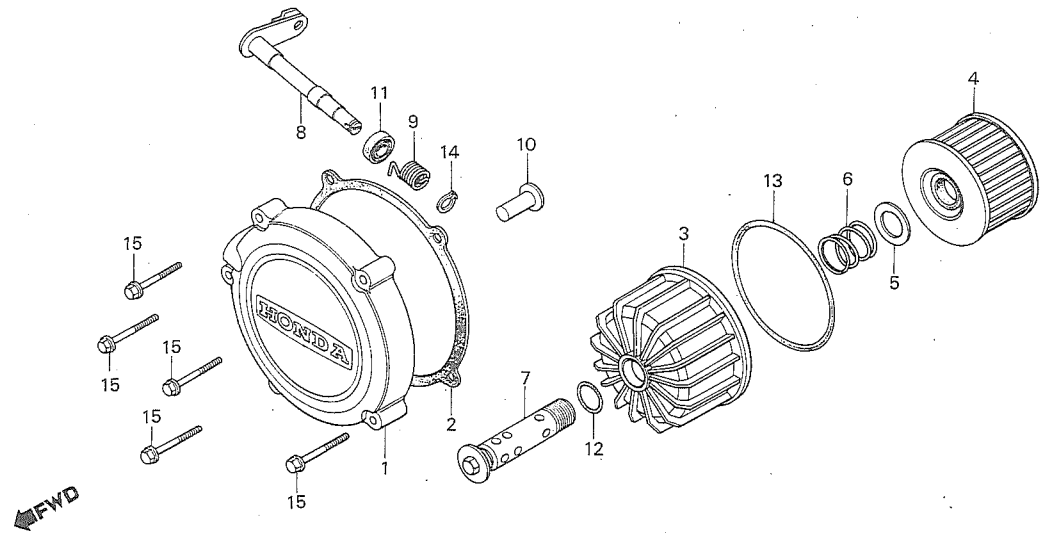
E-8

Clutch cover · Oil filter

Couvercle d'embrayage · Filtre à huile

Kupplungsdeckel · Ölfilter

Cubierta de embrague · Filtro de aceite



B415-8

Service item	F.R.T.	Ref. No.	Part No.	Description	Reqd. No. CX500cc	Serial No.	Area code
COVER COMP., CLUTCH GASKET, CLUTCH COVER	0.4	1	11370-449-000	COVER COMP., CLUTCH	1		
	0.2	2	11372-449-700	GASKET, CLUTCH COVER	1		
ELEMENT, OIL FILTER		3	15411-449-000	CASE, OIL FILTER	1		
		4	15412-413-005	ELEMENT, OIL FILTER	1		
INC. RELATIVE PART SHAFT, CLUTCH LEVER	0.3	5	15414-300-000	SEAT, OIL FILTER SPRING	1		
		6	15415-413-000	SPRING, FILTER ELEMENT SETTING	1		
INC. RELATIVE PART		7	15420-415-000	BOLT COMP., OIL FILTER CENTER	1		
		8	22811-449-000	SHAFT, CLUTCH LEVER	1		
		9	22815-413-000	SPRING, CLUTCH LEVER	1		
		10	22847-415-000	ROD, CLUTCH LIFTER	1		
		11	91201-951-003	OIL SEAL, 12X18X3	1		
		12	91302-377-000	O-RING, 15X2.5	1		
		13	91311-415-000	O-RING, 81X4.5	1		
		14	94510-10000	CIRCLIP, EXTERNAL, 10	1		
		15	96000-06028-00	BOLT, FLANGE, 6X28	5		

C 15

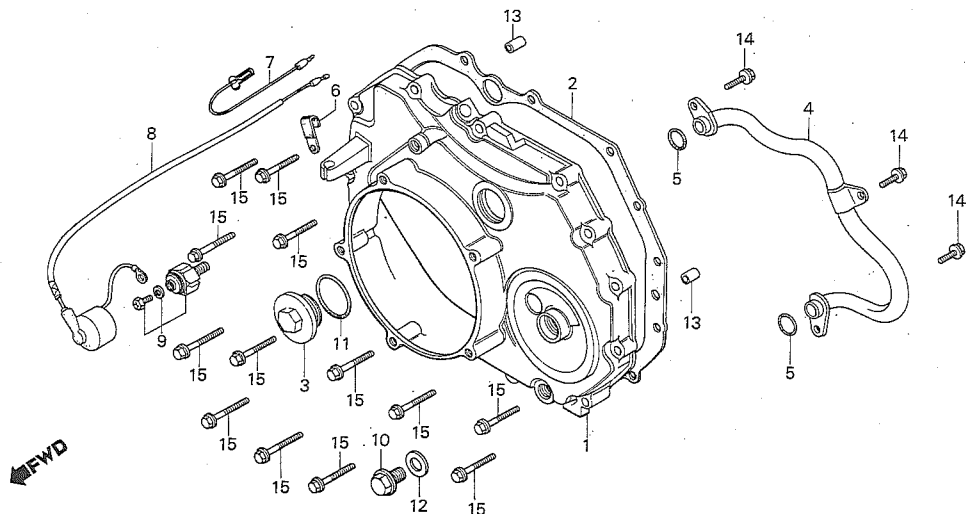
E-9

Transmission cover

Couvercle de transmission

Getriebedeckel

Cubierta de transmisión



B415-9

Service item	F.R.T.	Ref. No.	Part No.	Description	Reqd. No. CX500Cc	Serial No.	Area code
COVER COMP., TRANSMISSION	1.4	1	11360-449-000	COVER COMP., TRANSMISSION	1		
GASKET, TRANSMISSION COVER	1.1	2	11391-449-700	GASKET, TRANSMISSION COVER	1		
PIPE, OIL PASS	1.2	3	12361-035-000	CAP, TAPPET ADJUSTING HOLE	1		
SUB CORD B, ENGINE	0.8	4	15142-415-000	PIPE, OIL PASS	1		
SWITCH ASSY., OIL PRESSURE	0.6	5	16997-357-003	O-RING, 11.8X2.4	2		
		6	32111-323-000	CLAMPER, CORD	1		
		7	32111-449-750	SUB CORD	1		
		8	32117-MA1-730	SUB CORD B, ENGINE	1		
		9	35500-MB9-004	SWITCH ASSY., OIL PRESSURE	1		
		10	90030-415-000	BOLT, DRAIN PLUG, 12MM	1		
		11	91302-001-000	O-RING, 27.5MM	1		
		12	94109-12000	WASHER, DRAIN PLUG, 12MM	1		
		13	94301-08140	PIN A, DOWEL, 8X14	2		
		14	95700-06014-00	BOLT, FLANGE, 6X14	3		
		15	96000-06028-00	BOLT, FLANGE, 6X28	13		

C 16

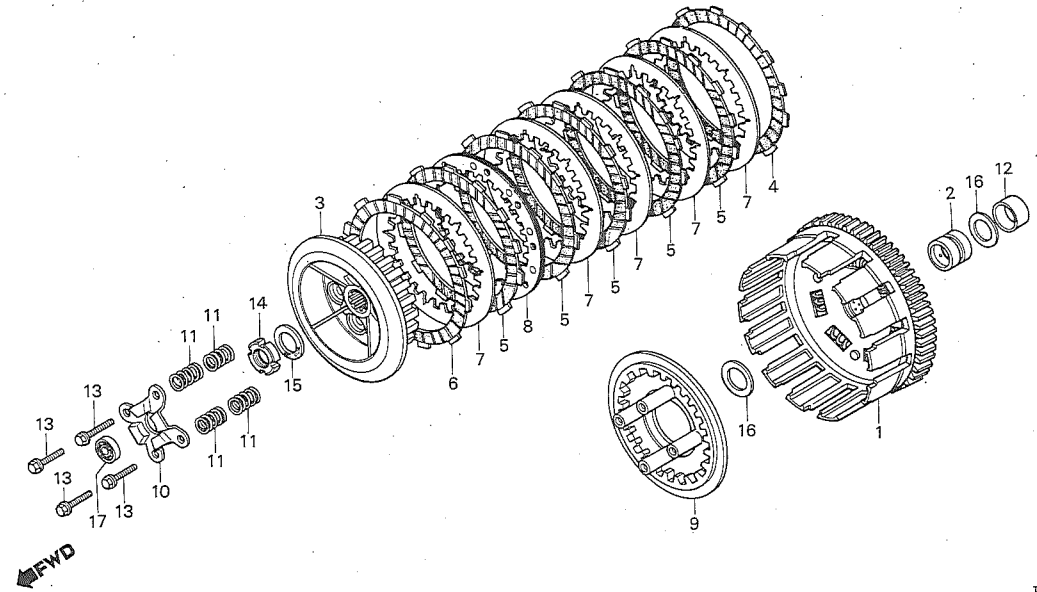
E-10

Clutch

Embrayage

Kupplung

Embrague



BMA1-6

Service item	F.R.T.	Ref. No.	Part No.	Description	Reqd. No. CX500Cc	Serial No.	Area code
OUTER COMP., CLUTCH	0.5	1	22100-MA1-000	OUTER COMP., CLUTCH	1		
CENTER COMP., CLUTCH		2	22116-MA1-000	GUIDE, CLUTCH OUTER	1		
DISK, CLUTCH FRICTION		3	22120-390-000	CENTER COMP., CLUTCH	1		
INC. RELATIVE PART (ONE OR ALL)		4	22201-286-010	DISK, CLUTCH FRICTION	1		
PLATE, CLUTCH LIFTER	0.3	5	22201-415-000	DISK, CLUTCH FRICTION	5		
SPRING, CLUTCH	0.4	6	22202-390-000	DISK B, CLUTCH FRICTION	1		
(ONE OR ALL)		7	22321-329-000	PLATE B, CLUTCH	5		
		8	22322-390-000	PLATE COMP. B, CLUTCH	1		
		9	22350-390-000	PLATE, CLUTCH PRESSURE	1		
		10	22361-415-000	PLATE, CLUTCH LIFTER	1		
		11	22401-415-000	SPRING, CLUTCH	4		
		12	23215-MA1-000	COLLAR, 25MM	1		
		13	90050-357-000	BOLT, SPECIAL FLANGE, 6X22	4		
		14	90204-706-000	NUT, LOCK, 20MM	1		
		15	90432-121-000	WASHER, LOCK	1		
		16	90453-MA1-000	WASHER, THRUST, 25MM	2		

D 1

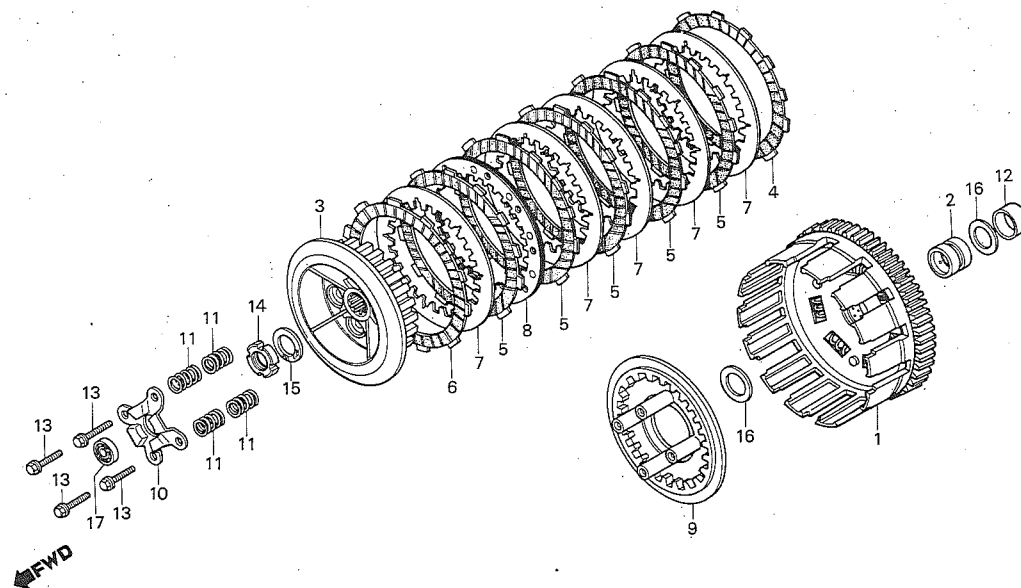
E-10

Clutch

Embrayage

Kupplung

Embrague



EMA1-6

Service item	F.R.T.	Ref. No.	Part No.	Description	Reqd. No. CX500Cc	Serial No.	Area code
		17	96100-60000-00	BEARING, RADIAL BALL, 6000	1		

1981.09.10

E

D1

D 2

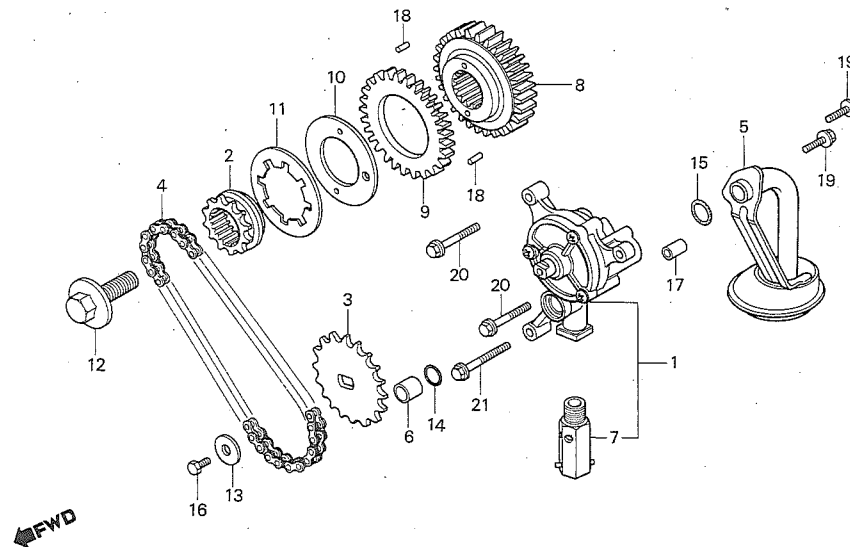
E-11

Oil pump · Primary drive gear

Pompe à huile · Pignon
commande primaire

Ölpumpe · Primäres
Antriebszahnrad

Bomba de aceite · Engranaje de
mando primario



BM1-7

Service item	F.R.T.	Ref. No.	Part No.	Description	Reqd. No. CX500Cc	Serial No.	Area code
PUMP ASSY., OIL	1.2.	1	15100-MA1-000	PUMP ASSY., OIL	1		
CHAIN, OIL PUMP		2	15115-415-000	SPROCKET, OIL PUMP DRIVE	1		
BODY, OIL STRAINER		3	15116-415-000	SPROCKET, OIL PUMP DRIVEN	1		
SUB GEAR, PRIMARY DRIVE		4	15140-415-003	CHAIN, OIL PUMP	1		
INC. RELATIVE PART		5	15141-MA1-000	BODY, OIL STRAINER	1		
VALVE ASSY., RELIEF	1.1	6	15155-300-000	COLLAR, O-RING	1		
GEAR, PRIMARY DRIVE	1.4	7	15220-415-000	VALVE ASSY., RELIEF	1		
		8	23121-449-000	GEAR, PRIMARY DRIVE (33T)	1		
		9	23122-415-000	SUB GEAR, PRIMARY DRIVE (32T)	1		
		10	23123-415-000	PLATE, SIDE	1		
		11	23124-MA1-000	SPRING, DISK	1		
		12	90013-415-000	BOLT, UBS, 12X28	1		
		13	90486-028-000	WASHER, SPARK ADVANCER SETTING	1		
		14	91301-268-020	O-RING, 14MM	1		



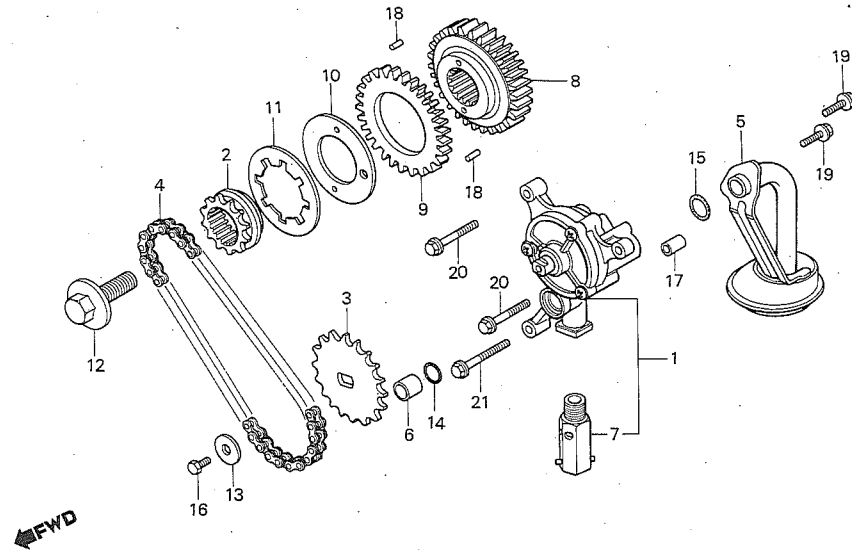
E-11

Oil pump · Primary drive gear

Pompe à huile · Pignon
commande primaire

Ölpumpe · Primäres
Antriebszahnrad

Bomba de aceite · Engranaje de
mando primario



BMA1-7

Service item	F.R.T.	Ref. No.	Part No.	Description	Regd. No. CX500Cc	Serial No.	Area code
		15	91302-377-000	O-RING, 15X2.5		1	
		16	92000-06008	BOLT, HEX., 6X8		1	
		17	94301-08140	PIN A, DOWEL, 8X14		1	
		18	94302-03050	PIN B, DOWEL, 3X5		2	
		19	95700-06014-00	BOLT, FLANGE, 6X14		2	
		20	95700-06025-00	BOLT, FLANGE, 6X25		2	
		21	95700-06032-00	BOLT, FLANGE, 6X32		1	

D 4

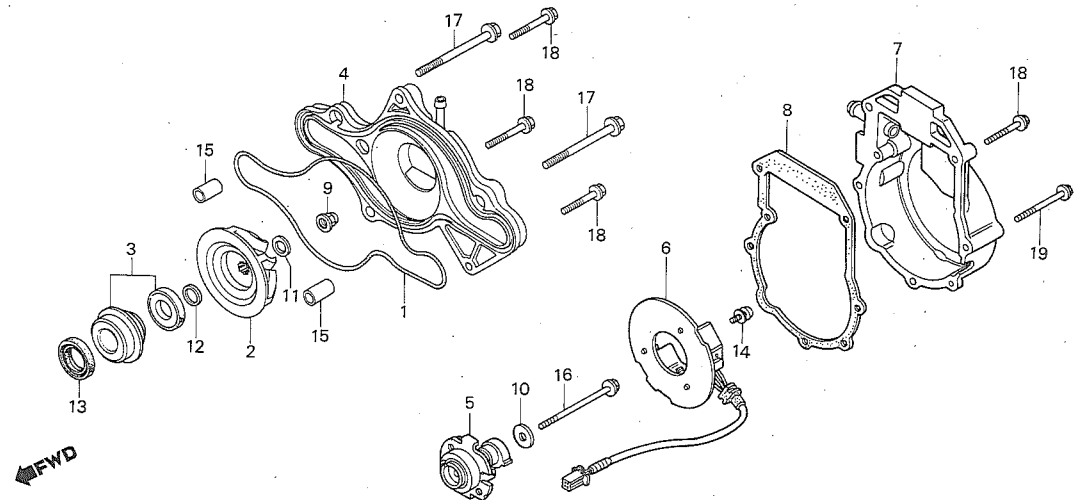
E-12

Water pump · Pulse generator

Pompe à eau · Générateur d'impulsions

Wasserpumpe · Impulsgeber

Bomba de agua · Generador de impulso



BMA1-8

Service item	F.R.T.	Ref. No.	Part No.	Description	Reqd. No. CX500C	Serial No.	Area code
GASKET, WATER PUMP BASE	1.3	1	11396-415-000	GASKET, WATER PUMP BASE	1		
COVER, WATER PUMP		2	19215-415-010	IMPELLER, WATER PUMP	1		
IMPELLER, WATER PUMP	1.4	3	19217-611-000	SEAL, MECHANICAL	1		CM
SEAL, MECHANICAL	*3.2		19217-657-023	SEAL, MECHANICAL	1		DE, E, ED, F, IT, ND, U, 1G, 2G
ADVANCER ASSY., SPARK	*2.7	4	19221-415-000	COVER, WATER PUMP	1		
GENERATOR COMP., PULSE		5	30220-MA1-731	ADVANCER ASSY., SPARK (TOYO)	1		
COVER COMP., PULSER		6	30300-MA1-154	GENERATOR COMP., PULSE (TOYO)	1		
		7	30372-MA1-010	COVER COMP., PULSER	1		
		8	30373-MA1-000	GASKET A, PULSER COVER	1		
		9	90201-415-000	NUT, CAP, 6MM	1		
		10	90417-115-000	WASHER, CAMSHAFT SIDE	1		
		11	90441-706-000	WASHER, SEALING, 6MM	1		
		12	90453-415-000	WASHER, THRUST, 10MM	1		
		13	91202-283-013	OIL SEAL, 18X28X6	1		

D 5

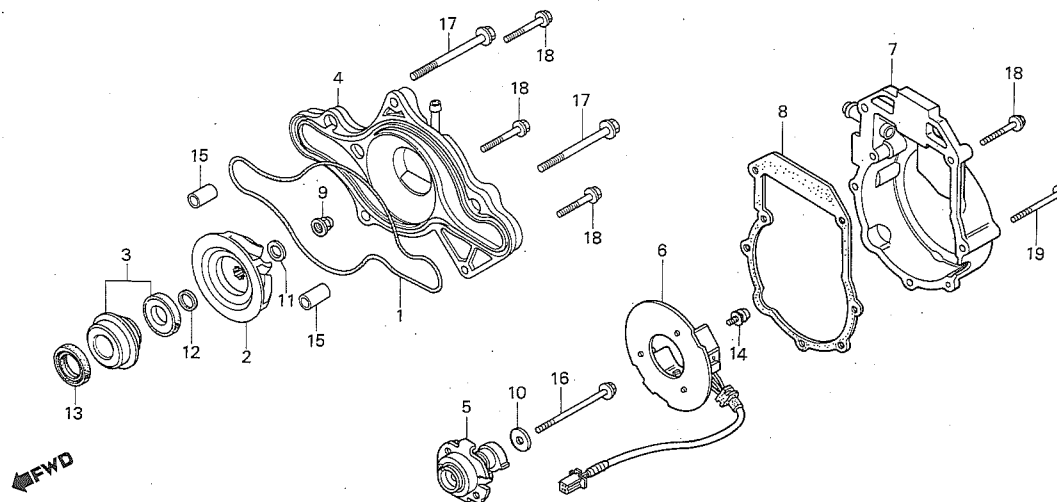
E-12

Water pump · Pulse generator

Pompe à eau · Générateur d'impulsions

Wasserpumpe · Impulsgeber

Bomba de agua · Generador de impulso



BMA1-8

Service item	F.R.T.	Ref. No.	Part No.	Description	Regd. No. CX500Cc	Serial No.	Area code
		14	93891-06012-00	SCREW-WASHER, 6X12	2		
		15	94301-10160	PIN A, DOWEL, 10X16	2		
		16	95700-06060-00	BOLT, FLANGE, 6X60	1		
		17	95700-08065-00	BOLT, FLANGE, 8X65	2		
		18	96000-06025-00	BOLT, FLANGE, 6X25	6		
		19	96000-06040-00	BOLT, FLANGE, 6X40	3		



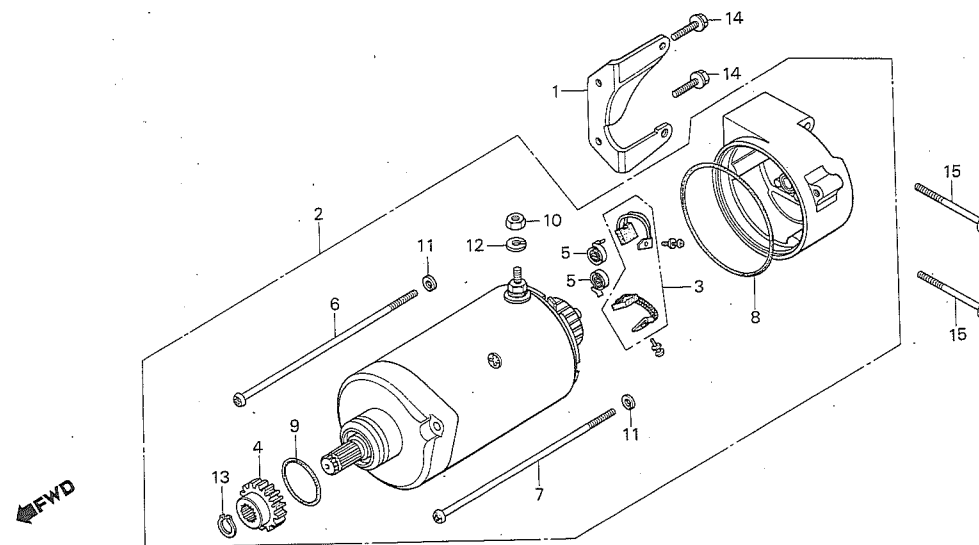
E-13

Starting motor

Moteur démarrage

Anlassermotor

Motor de arranque



B415-13

Service item	F.R.T.	Ref. No.	Part No.	Description	Reqd. No. CX500Cc	Serial No.	Area code
MOTOR ASSY., STARTING	0.2	1	11312-415-000	STAY, STARTING MOTOR	1		
GEAR, STARTING MOTOR		2	31200-449-008	MOTOR ASSY., STARTING	1		
BRUSH SET, CARBON	0.4	3	31201-292-158	BRUSH SET, CARBON	1		
		4	31201-415-000	GEAR, STARTING MOTOR (27T)	1		
		5	31204-292-158	SPRING, CARBON BRUSH	2		
		6	31205-413-780	BOLT, STARTING MOTOR COVER	1		
		7	31205-449-008	BOLT A, SETTING	1		
		8	31206-415-000	O-RING, 60X1.4	1		
		9	91309-300-000	O-RING, 24.4X3.1	1		
		10	94002-06000	NUT, HEX., 6MM	1		
		11	94111-05000	WASHER, SPRING, 5MM	2		
		12	94111-06000	WASHER, SPRING, 6MM	1		
		13	94510-11000	CIRCLIP, EXTERNAL, 11	1		
		14	96000-06018-00	BOLT, FLANGE, 6X18	2		
		15	96000-06035-00	BOLT, FLANGE, 6X35	2		



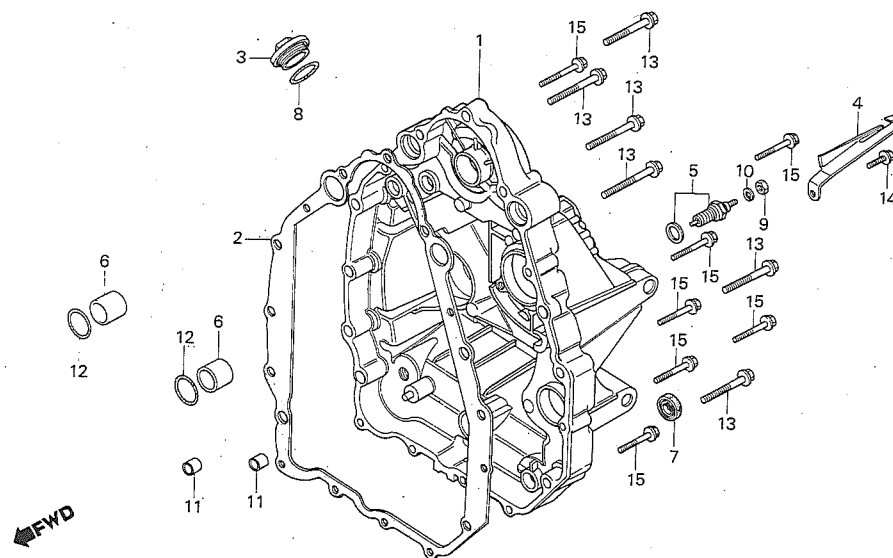
E-14

Rear cover

Couvercle arrière

Hinterdeckel

Cubierta trasera



BMA1-9

Service item	F.R.T.	Ref. No.	Part No.	Description	Reqd. No. CX500Cc	Serial No.	Area code
COVER, RR.	*3.8	1	11310-MA1-730	COVER, RR.	1		CM
GASKET, RR. COVER	*3.1		11310-MA1-600	COVER, RR.	1		DE,E,ED,F,IT,ND,U,1G,2G
SWITCH ASSY., NEUTRAL	0.3	2	11394-449-700	GASKET, RR. COVER	1		
OIL SEAL, 14X26X7	*3.2	3	12361-300-000	CAP, TAPPET ADJUSTING HOLE	1		
		4	31140-415-000	GUIDE, NEUTRAL CORD	1		
		5	35600-413-003	SWITCH ASSY., NEUTRAL (TOYO)	1		
		6	90701-415-000	COLLAR, 22.2MM	2		
		7	91203-023-020	OIL SEAL, 14X26X7	1		
		8	91302-001-000	O-RING, 27.5MM	1		
		9	94001-04000-0S	NUT, HEX., 4MM	1		
		10	94111-04800	WASHER, SPRING, 4MM	1		
		11	94301-10160	PIN A, DOWEL, 10X16	2		
		12	94608-50000	O-RING, 23X2.8	2		
		13	95700-08040-00	BOLT, FLANGE, 8X40	6		
		14	96000-06014-00	BOLT, FLANGE, 6X14	1		
		15	96000-06032-00	BOLT, FLANGE, 6X32	7		

1981.09.10

E

D7

D 8

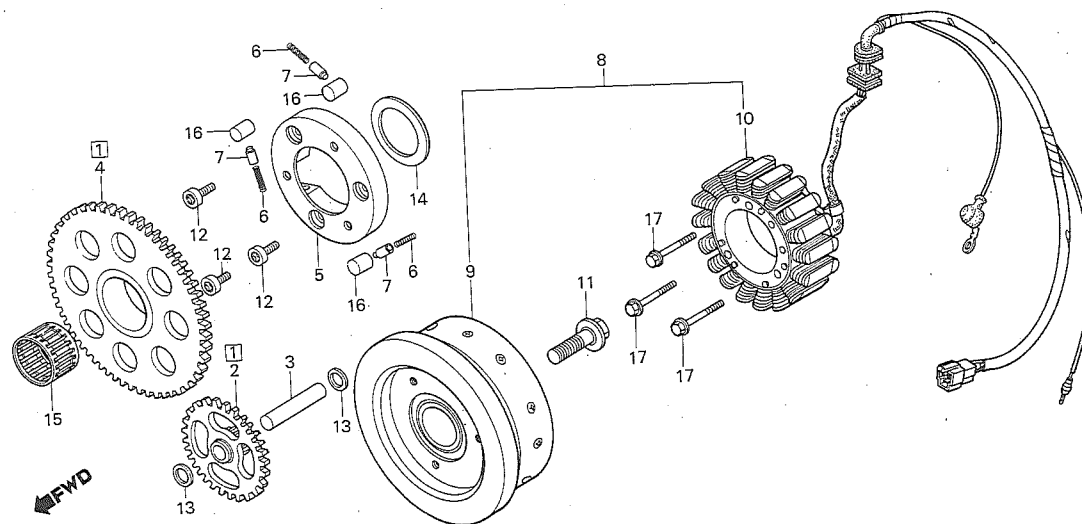
E-15

Generator

Générateur

Lichtmaschine

Generador



BMA1-10

Service item	F.R.T.	Ref. No.	Part No.	Description	Reqd. No. CX500Cc	Serial No.	Area code
GEAR, STARTER REDUCTION	*3.2	1	28100-415-305	GEAR SET, STARTING	1		
GEAR COMP., STARTING DRIVEN	*3.3	2	28102-415-010	GEAR, STARTER REDUCTION	1		
ROLLER, 15X13		3	28106-415-000	SHAFT, STARTER REDUCTION GEAR	1		
INC. RELATIVE PART (ONE OR ALL)		4	28110-415-010	GEAR COMP., STARTING DRIVEN	1		
OUTER, STARTING CLUTCH		5	28120-415-000	OUTER, STARTING CLUTCH	1		
FLYWHEEL COMP.		6	28125-516-030	SPRING, STARTING CLUTCH ROLLER	3		
STATOR COMP.		7	28126-516-020	CAP, STARTING CLUTCH ROLLER	3		
GENERATOR ASSY., FLYWHEEL TYPE A.C.	*3.5	8	31100-MA1-731	GENERATOR ASSY., FLYWHEEL TYPE A.C. (HITACHI)	1		
		9	31110-MA1-731	FLYWHEEL COMP. (HITACHI)	1		
		10	31120-MA1-005	STATOR COMP. (HITACHI)	1		
		11	90002-415-003	BOLT, A.C. GENERATOR SETTING, 12X30	1		
		12	90010-415-000	BOLT, SOCKET, 8MM	3		

1981.09.10

E

D8

D 9

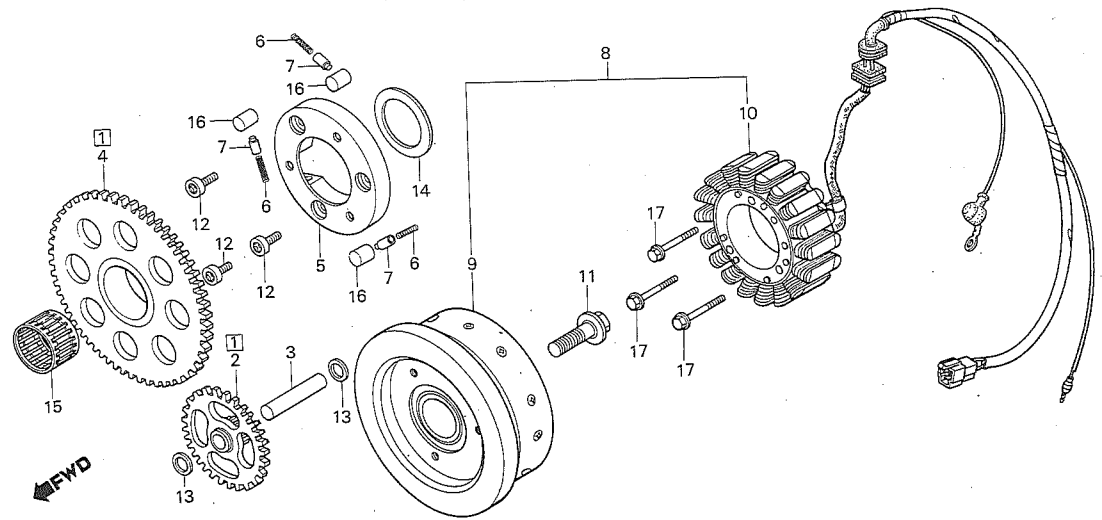
E-15

Generator

Générateur

Lichtmaschine

Generador



BMA1-10

Service item	F.R.T.	Ref. No.	Part No.	Description	Reqd. No. CX500Cc	Serial No.	Area code
		13	90451-708-000	WASHER, 12MM	2		
		14	90454-415-000	WASHER, THRUST, 37MM	1		
		15	91021-415-005	BEARING, NEEDLE, 32MM (TDMUSON)	1		
		16	91101-516-000	ROLLER, 15X13	3		
		17	95700-06040-00	BOLT, FLANGE, 6X40	3		

1981.09.10

E

D9

D 12

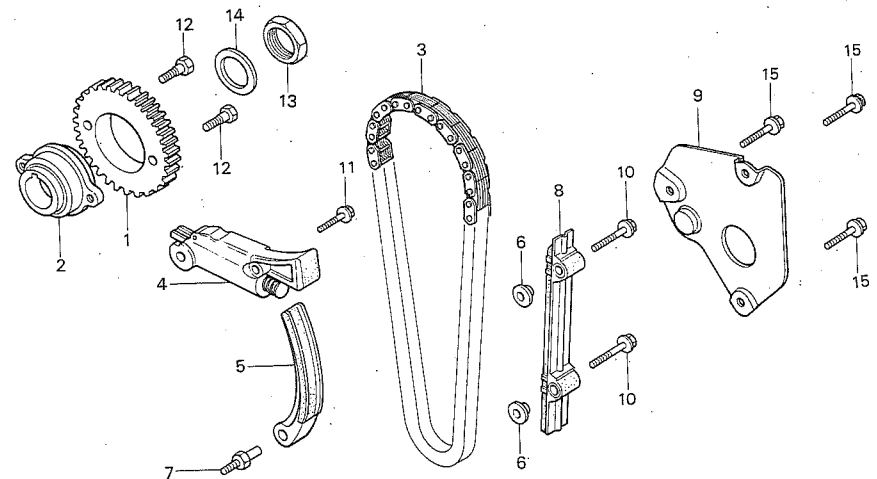
E-16-1

Cam chain · Tensioner
(CX500Cc-DE, E, ED, F, IT,
ND, U, 1G, 2G)

Chaîne de cames · Tendeur
(CX500Cc-DE, E, ED, F, IT,
ND, U, 1G, 2G)

Steuerkette · Spanner
(CX500Cc-DE, E, ED, F, IT,
ND, U, 1G, 2G)

Cadena de levas · Tensionador
(CX500Cc-DE, E, ED, F, IT,
ND, U, 1G, 2G)



BMAC7-2

Service item	F.R.T.	Ref. No.	Part No.	Description	Reqd. No. CX500Cc	Serial No.	Area code
SPROCKET, CAM	*3.2	1	14321-415-000	SPROCKET, CAM	1		DE,E,ED,F,IT,ND,U,1G,2G
TENSIONER, CAM CHAIN		2	14322-415-000	BOSS, CAM SPROCKET	1		DE,E,ED,F,IT,ND,U,1G,2G
BOSS, CAM SPROCKET	*3.5	3	14401-MA1-003	CHAIN, CAM (TSUBAKIMOTO)	1		DE,E,ED,F,IT,ND,U,1G,2G
CHAIN, CAM		4	14500-MC7-000	TENSIONER, CAM CHAIN	1		DE,E,ED,F,IT,ND,U,1G,2G
TENSIONER, CAM CHAIN	*3.4	5	14511-MC7-000	TENSIONER, CAM CHAIN	1		DE,E,ED,F,IT,ND,U,1G,2G
GUIDE, CAM CHAIN		6	14515-428-000	COLLAR, 6X14.7	2		DE,E,ED,F,IT,ND,U,1G,2G
PLATE, CAM CHAIN SETTING		7	14538-MC7-000	PIN, TENSIONER SETTING	1		DE,E,ED,F,IT,ND,U,1G,2G
		8	14620-MC7-000	GUIDE, CAM CHAIN	1		DE,E,ED,F,IT,ND,U,1G,2G
		9	14623-MC7-000	PLATE, CAM CHAIN SETTING	1		DE,E,ED,F,IT,ND,U,1G,2G
		10	90011-415-000	BOLT, HEX., 6X30	2		DE,E,ED,F,IT,ND,U,1G,2G
		11	90015-MC7-000	BOLT, FLANGE, 8X32	1		DE,E,ED,F,IT,ND,U,1G,2G
		12	90081-415-000	BOLT, HEX. KNOCK, 7X17	2		DE,E,ED,F,IT,ND,U,1G,2G
		13	90207-415-000	NUT, HEX., 20MM	1		DE,E,ED,F,IT,ND,U,1G,2G
		14	90432-121-000	WASHER, LOCK	1		DE,E,ED,F,IT,ND,U,1G,2G
		15	95700-06016-00	BOLT, FLANGE, 6X16	3		DE,E,ED,F,IT,ND,U,1G,2G

D 13

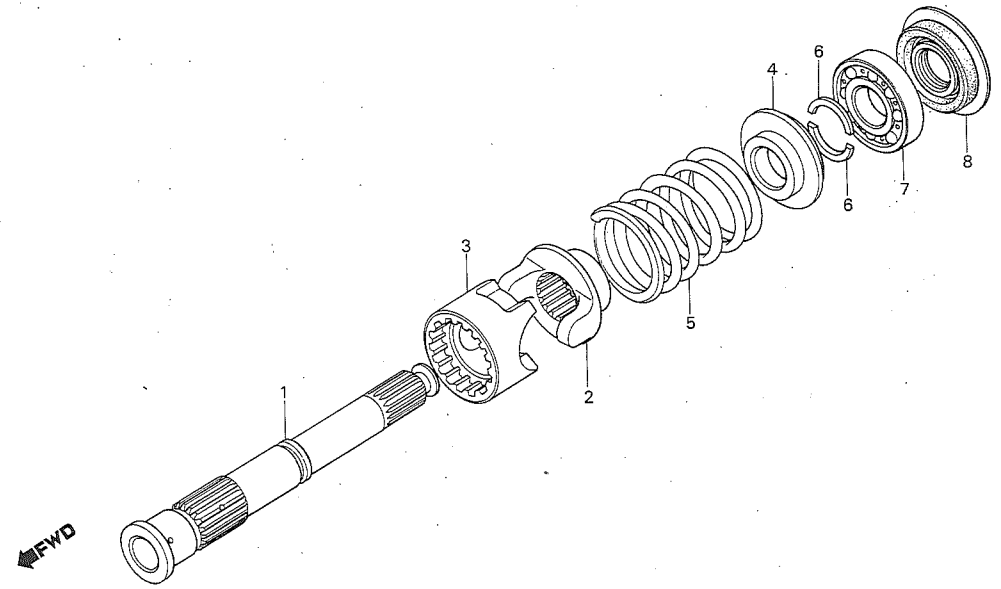
E-17

Final shaft

Arebre final

Endwelle

Eje final



B415-17

Service item	F.R.T.	Ref. No.	Part No.	Description	Reqd. No. CX500Cc	Serial No.	Area code
SHAFT, FINAL	*3.2	1	23521-415-000	SHAFT, FINAL	1		
INC. RELATIVE PART		2	23721-MA1-000	LIFTER, DAMPER	1		
BEARING, BALL, 62/22		3	23722-MA1-000	CAM, DAMPER	1		
OIL SEAL, 22X36X7	1.0	4	23731-371-000	STOPPER, DAMPER SPRING	1		
		5	23732-MA1-000	SPRING, DAMPER	1		
		6	23733-371-000	WASHER, SPRING STOPPER	2		
		7	91005-634-004	BEARING, BALL, 62/22 (KOYO)	1		
			91005-634-008	BEARING, BALL, 62/22 (TDYD)	1		
		8	91202-415-003	OIL SEAL, 22X36X7	1		
			91202-415-004	OIL SEAL, 22X36X7	1		

1981.09.10

E

D13

D 14

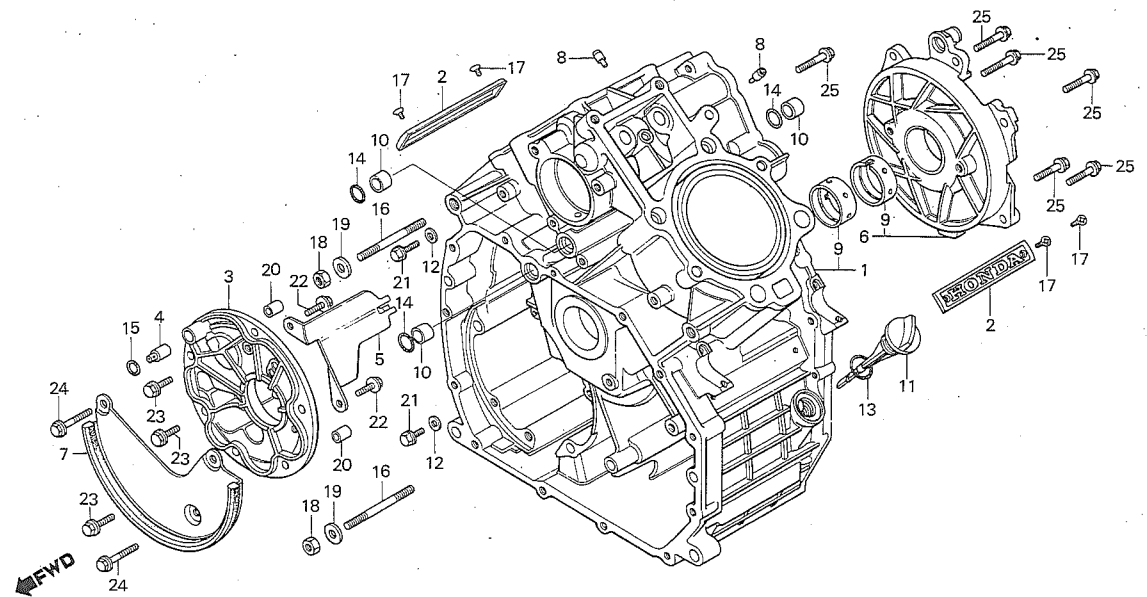
E-18

Cylinder block

Bloc moteur

Zylinderblock

Bloque de cilindro



B415-18

Service item	F.R.T.	Ref. No.	Part No.	Description	Reqd. No. CX500cc	Serial No.	Area code
BLOCK COMP., CYLINDER	*5.9	1	11100-449-020	BLOCK COMP., CYLINDER	1		CM
HOLDER, TRANSMISSION	*3.7		11100-MA1-600	BLOCK COMP., CYLINDER	1		DE,E,ED,F,IT,ND,U,1G,2G
CAP COMP., CRANKSHAFT	*5.4	2	11105-415-670	EMBLEM, CYLINDER BLOCK	2		
BEARING MAIN (ONE OR ALL)		3	11131-415-000	HOLDER, TRANSMISSION	1		
SEPARATOR COMP., OIL	1.3	4	11132-415-000	DRIFICE, 8MM	1		
BOLT, STUD, 10X90 (ADD 0.1 FOR EACH.)	1.0	5	11133-415-000	PLATE, TRANSMISSION HOLDER	1		
		6	11140-415-000	CAP COMP., CRANKSHAFT	1		CM
			11140-MA1-600	CAP COMP., CRANKSHAFT	1		DE,E,ED,F,IT,ND,U,1G,2G
		7	11365-415-000	SEPARATOR COMP., OIL	1		
		8	12901-413-000	VALVE, OIL CONTROL DRIFICE	2		
		9	13325-415-305	BEARING A, MAIN (BLUE)	2		
			13326-415-305	BEARING B, MAIN (BLACK)	2		
			13327-415-305	BEARING C, MAIN (BROWN)	2		
		10	15155-300-000	COLLAR, O-RING	3		
		11	15650-449-000	GAUGE, OIL LEVEL	1		
		12	90461-357-000	WASHER, SEALING, 12MM	2		
		13	91301-250-000	O-RING, 22X3.0	1		

1981.09.10

E

D14

D 15

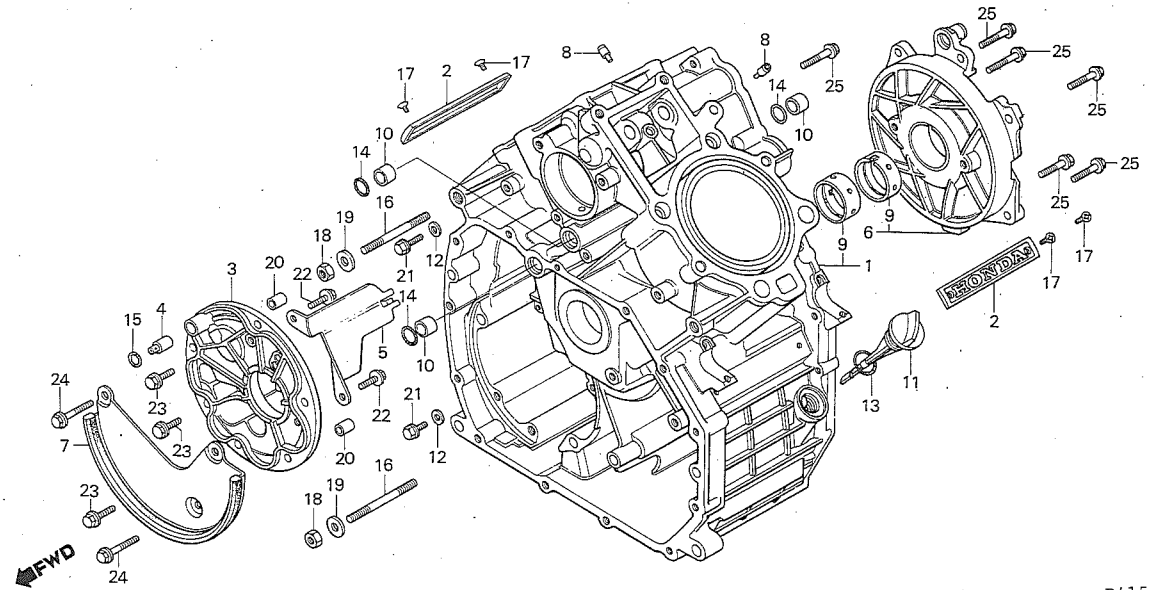
E-18

Cylinder block

Bloc moteur

Zylinderblock

Bloque de cilindro



B415-18

Service item	F.R.T.	Ref. No.	Part No.	Description	Reqd. No. CX500Cc	Serial No.	Area code
		14	91301-268-020	O-RING, 14MM	3		
		15	91303-001-000	O-RING, 8MM	1		
		16	92700-10090	BOLT, STUD, 10X90	2		
		17	93902-34180	SCREW, TAPPING, 4X8	4		
		18	94001-10000-0S	NUT, HEX., 10MM	2		
		19	94101-10000	WASHER, PLAIN, 10MM	2		
		20	94301-08140	PIN A, DOWEL, 8X14	2		
		21	95700-06012-00	BOLT, FLANGE, 6X12	2		
		22	95700-06016-00	BOLT, FLANGE, 6X16	2		
		23	95700-06020-00	BOLT, FLANGE, 6X20	4		
		24	95700-06032-00	BOLT, FLANGE, 6X32	2		
		25	95700-08025-00	BOLT, FLANGE, 8X25	7		

(Oil clearance 20 ~ 60μm)			
Cylinder block and bearing cap I.D. 47φ	0 +0.010		+0.010 +0.020
Crankshaft O.D. 43φ			
A	0 -0.010	13327-415-305 C (Brown)	13326-415-305 B (Black)
B	-0.010 -0.020	13326-415-305 B (Black)	13325-415-305 A (Blue)

D 16

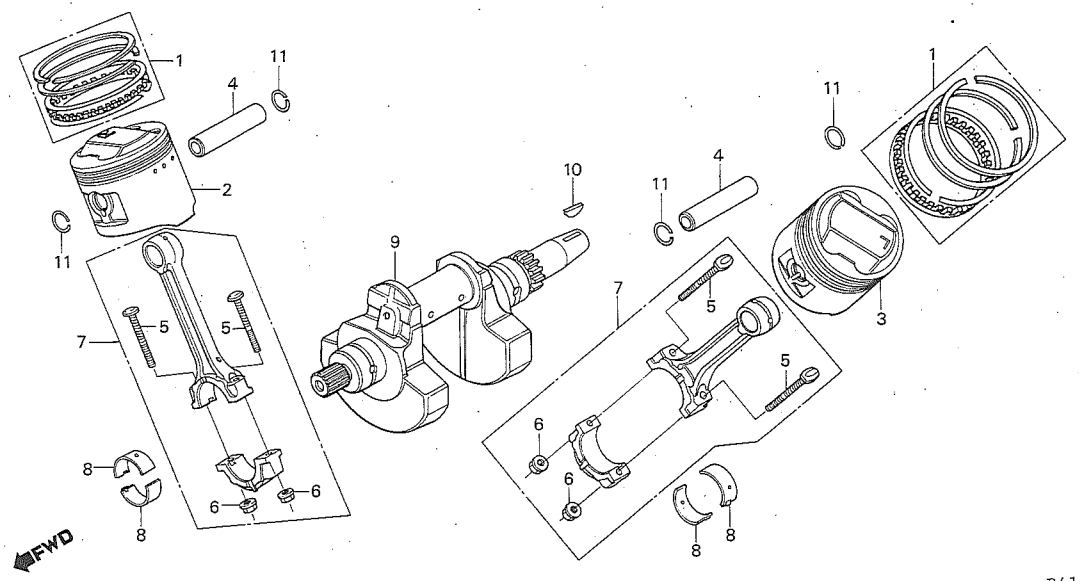
E-19

Crankshaft · Piston

Vilebrequin · Piston

Kurbelwelle · Kolben

Cigüeñal · Pistón



B415-19

Service item	F.R.T.	Ref. No.	Part No.	Description	Reqd. No. CX500Cc	Serial No.	Area code
RING SET, PISTON (L. SIDE *4.1)	2.7	1	13011-415-003	RING SET, PISTON (STD. NIPPON)	2		
			13011-415-004	RING SET, PISTON (STD. RIKEN)	2		
PISTON, R. (L. SIDE *4.1)			13021-415-003	RING SET, PISTON (0.25 NIPPON)	(2)		
			13021-415-004	RING SET, PISTON (0.25 RIKEN)	(2)		
PIN, PISTON (L. SIDE *4.0)	2.6		13031-415-003	RING SET, PISTON (0.50 NIPPON)	(2)		
			13031-415-004	RING SET, PISTON (0.50 RIKEN)	(2)		
ROD ASSY., CONNECTING (L. SIDE *4.3)	3.5	2	13101-415-000	PISTON, R. (STD.)	1		
			13103-415-000	PISTON, R. (0.25)	(1)		
CRANKSHAFT COMP.	*5.4		13105-415-000	PISTON, R. (0.50)	(1)		
		3	13102-415-000	PISTON, L. (STD.)	1		
			13104-415-000	PISTON, L. (0.25)	(1)		
			13106-415-000	PISTON, L. (0.50)	(1)		
		4	13111-415-000	PIN, PISTON	2		
		5	13204-415-010	BOLT, CONNECTING ROD	4		

1981.09.10

E

D16



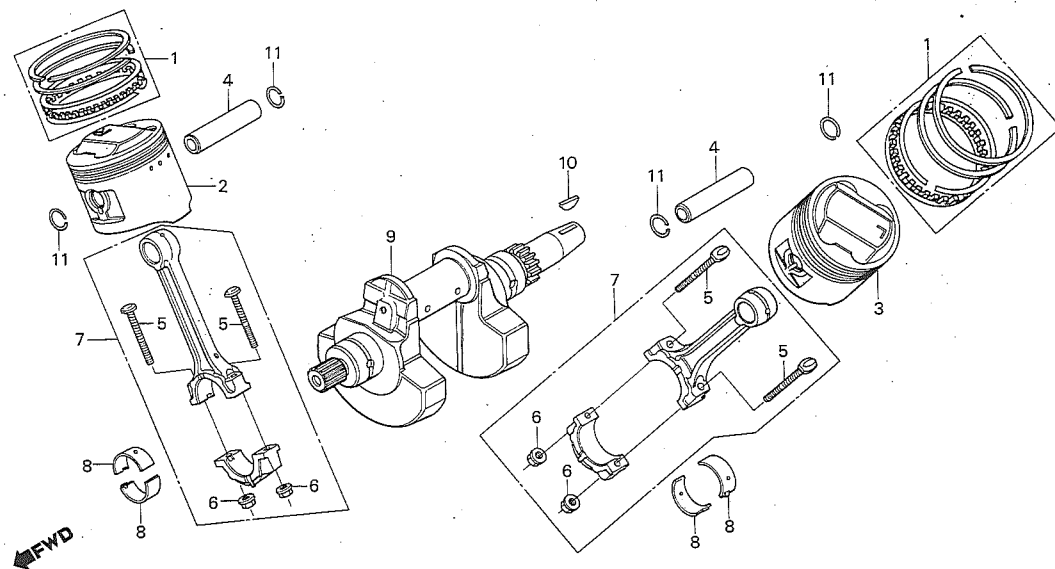
E-19

Crankshaft · Piston

Vilebrequin · Piston

Kurbelwelle · Kolben

Cigüeñal · Pistón



B415-19

Service item	F.R.T.	Ref. No.	Part No.	Description	Reqd. No. CX500Cc	Serial No.	Area code
		6	13205-634-010	NUT, CONNECTING ROD	4		
		7	13210-415-010	ROD ASSY., CONNECTING	2		
		8	13216-415-013	BEARING B, CONNECTING ROD (BLACK)	4		
			13217-415-013	BEARING C, CONNECTING ROD (BROWN)	4		
			13218-415-013	BEARING D, CONNECTING ROD (GREEN)	4		
			13219-415-013	BEARING E, CONNECTING ROD (YELLOW)	4		
			13220-415-003	BEARING F, CONNECTING ROD (PINK)	4		
		9	13300-MA1-000	CRANKSHAFT COMP.	1		
		10	94401-25180	KEY, WOODRUFF, 25X18	1		
		11	94601-21000	CLIP, PISTON PIN, 21MM	4		

Connecting rod bearing selection

(Oil clearance 28 ~ 52mm)

Connecting rod I.D. 43φ		1	2	3
Crank pin O.D. 40φ		0 ~ +0.008	+0.008 ~ +0.016	+0.016 ~ +0.024
A	-0.010 -0.018	13220-415-003 F (Pink)	13219-415-013 E (Yellow)	13218-415-013 D (Green)
B	-0.018 -0.026	13219-415-013 E (Yellow)	13218-415-013 D (Green)	13217-415-013 C (Brown)
C	-0.026 -0.034	13218-415-013 D (Green)	13217-415-013 C (Brown)	13216-415-013 B (Black)

E 2

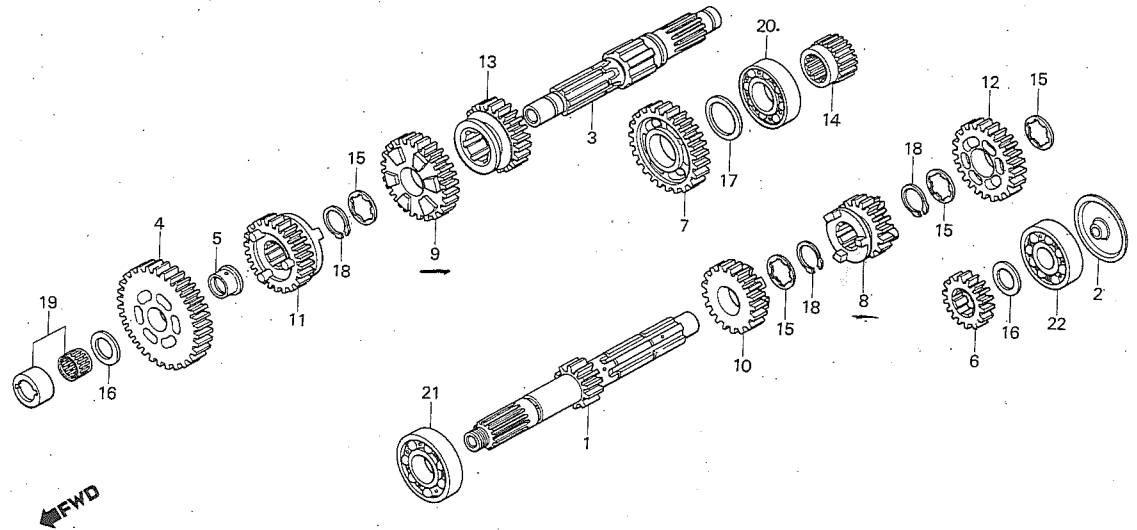
E-20

Transmission

Transmission

Getriebe

Transmisión



B415-20

Service item	F.R.T.	Ref. No.	Part No.	Description	Reqd. No. CX500Cc	Serial No.	Area code
MAINSHAFT COMP., TRANSMISSION	#3.9	1	23211-415-010	MAINSHAFT COMP., TRANSMISSION	1		
INC. RELATIVE PART				(15T)			
COUNTERSHAFT		2	23219-415-000	PLATE, OIL GUIDE	1		
INC. RELATIVE PART		3	23220-415-000	COUNTERSHAFT	1		
COLLAR, COUNTERSHAFT	#3.1	4	23421-413-000	GEAR, COUNTERSHAFT FIRST (41T)	1		
		5	23422-413-000	BUSH, 20MM	1		
		6	23431-413-000	GEAR, MAINSHAFT SECOND (20T)	1		
		7	23441-413-000	GEAR, COUNTERSHAFT SECOND	1		
				(37T)			
		8	23451-413-000	GEAR, MAINSHAFT THIRD (24T)	1		
		9	23461-413-000	GEAR, COUNTERSHAFT THIRD (34T)	1		
		10	23471-415-000	GEAR, MAINSHAFT FOURTH (27T)	1		
		11	23481-MA1-000	GEAR, COUNTERSHAFT FOURTH	1		
				(31T)			



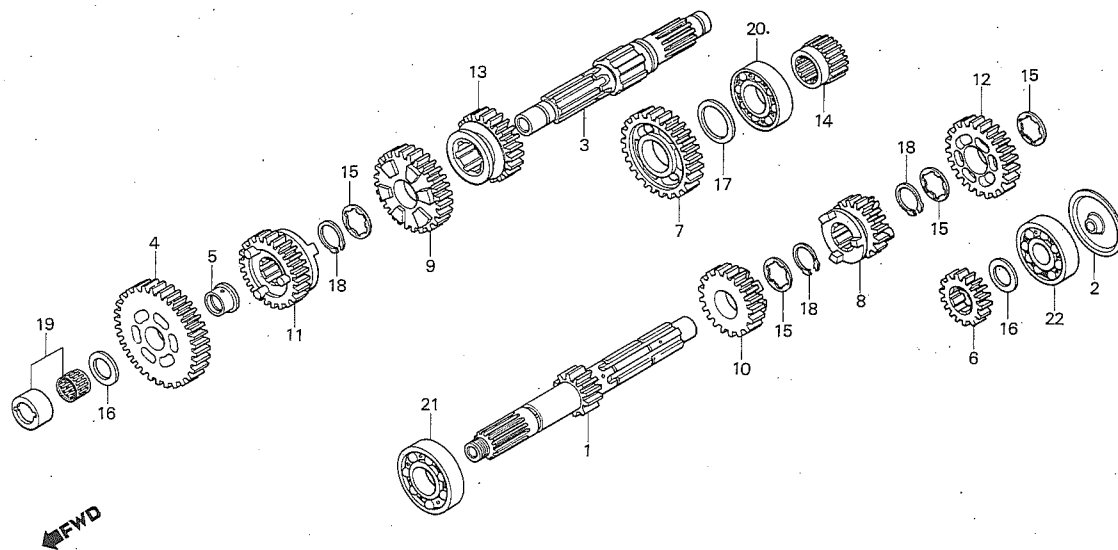
E-20

Transmission

Transmission

Getriebe

Transmisión



B415-20

Service item	F.R.T.	Ref. No.	Part No.	Description	Reqd. No. CX500Cc	Serial No.	Area code
		12	23491-415-000	GEAR, MAINSHAFT FIFTH (29T)	1		
		13	23501-449-000	GEAR, COUNTERSHAFT FIFTH (27T)	1		
		14	23522-415-000	COLLAR, COUNTERSHAFT	1		
		15	90451-413-000	WASHER, THRUST, 25MM	4		
		16	90452-413-000	WASHER, THRUST, 20MM	2		
		17	90452-415-000	WASHER, THRUST, 25MM	1		
		18	90601-300-000	CIRCLIP, 25MM	3		
		19	91022-415-008	BEARING, NEEDLE, 20MM	1		
		20	96100-62050-00	BEARING, RADIAL BALL, 6205	1		
		21	96100-63051-00	BEARING, RADIAL BALL, 6305	1		
		22	96140-62040-00	BEARING, RADIAL BALL, 6204U	1		



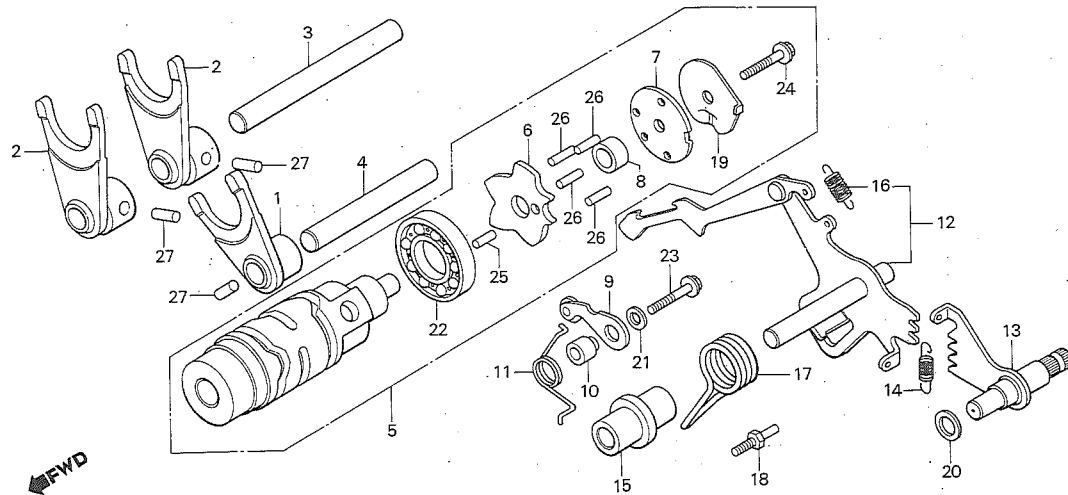
E-21

Shift drum · Shift fork

Tambour de changement de vitesse · Fourchette de changement

Schaltwalze · Schaltgabel

Tambor do cambio · Horquilla de cambio



B415-21

Service item	F.R.T.	Ref. No.	Part No.	Description	Reqd. No. CX500Cc	Serial No.	Area code
FORK, MAINSHAFT THIRD GEARSHIFT	*3.7	1	24216-413-000	FORK, MAINSHAFT THIRD GEARSHIFT	1		
INC. RELATIVE PART DRUM COMP., GEARSHIFT		2	24221-449-000	FORK, COUNTERSHAFT FIFTH GEARSHIFT	2		
PLATE, DRUM CAM	*3.2	3	24241-413-000	SHAFT, GEARSHIFT FORK GUIDE	1		
INC. RELATIVE PART		4	24241-415-000	SHAFT, GEARSHIFT FORK GUIDE	1		
STOPPER COMP., GEARSHIFT DRUM		5	24300-415-000	DRUM COMP., GEARSHIFT	1		
INC. RELATIVE PART		6	24303-415-000	PLATE, DRUM CAM	1		
ARM COMP., GEARSHIFT		7	24304-415-000	PLATE, DRUM CENTER	1		
INC. RELATIVE PART		8	24305-415-000	COLLAR, DRUM CENTER	1		
SPINDLE COMP., GEARSHIFT		9	24430-413-000	STOPPER COMP., GEARSHIFT DRUM	1		
INC. RELATIVE PART		10	24432-413-000	COLLAR, GEARSHIFT DRUM STOPPER	1		
		11	24435-415-000	SPRING, DRUM STOPPER	1		

E 5

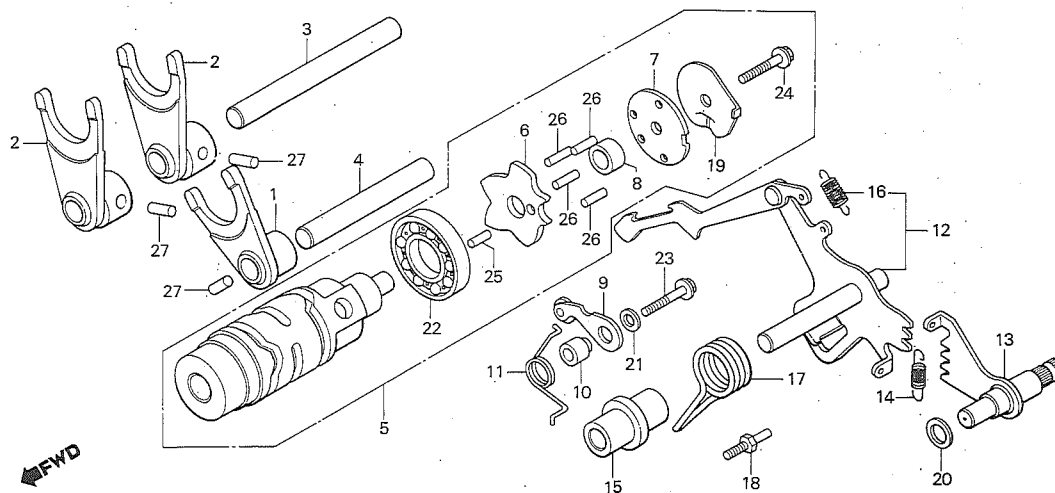
E-21

Shift drum · Shift fork

Tambour de changement de vitesse · Fourchette de changement

Schaltwalze · Schaltgabel

Tambor do cambio · Horquilla de cambio



B415-21

Service item	F.R.T.	Ref. No.	Part No.	Description	Reqd. No. CX500Cc	Serial No.	Area code
		12	24610-415-000	ARM COMP., GEARSHIFT	1		
		13	24620-415-000	SPINDLE COMP., GEARSHIFT	1		
		14	24623-415-000	SPRING, GEARSHIFT	1		
		15	24624-415-000	COLLAR, GEARSHIFT ARM	1		
		16	24641-216-000	SPRING, GEARSHIFT ARM	1		
		17	24651-333-000	SPRING, GEARSHIFT RETURN	1		
		18	24652-259-000	PIN, SHIFT RETURN SPRING	1		
		19	35753-415-000	PLATE, POINT	1		
		20	90451-708-000	WASHER, 12MM	1		
		21	90486-028-000	WASHER, SPARK ADVANCER SETTING	1		
		22	91008-374-003	BEARING, BALL, 16005 (TOYO)	1		
		23	95700-06025-00	BOLT, FLANGE, 6X25	1		

1981.09.10

E

E5



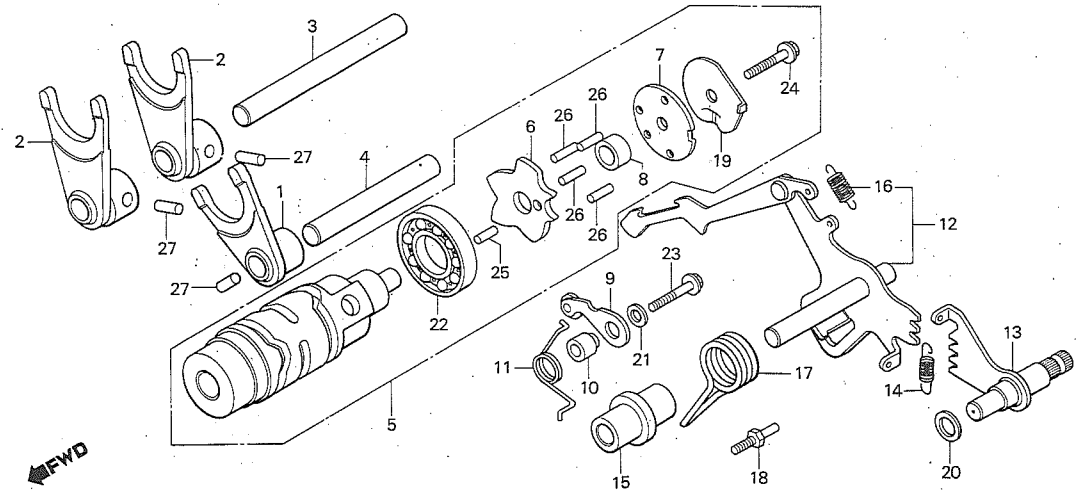
E-21

Shift drum · Shift fork

Tambour de changement de vitesse · Fourchette de changement

Schaltwalze · Schaltgabel

Tambor do cambio · Horquilla de cambio



B415-21

Service item	F.R.T.	Ref. No.	Part No.	Description	Reqd. No. CX500Cc	Serial No.	Area code
		24	95725-06025-00	BOLT, FLANGE, 6X25	1		
		25	96220-40118	ROLLER, 4X11.8	1		
		26	96220-40140	ROLLER, 4X14	4		
		27	96220-60130	ROLLER, 6X13	3		

1981.09.10

E

E6



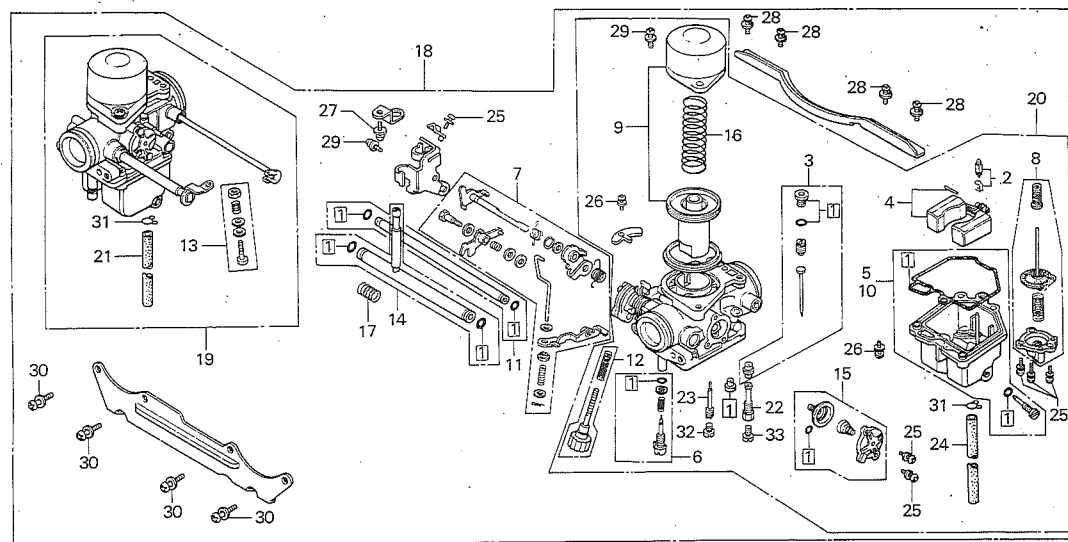
E-22

Carburetor

Carburateur

Vergaser

Carburador



B449-1A

Service item	F.R.T.	Ref. No.	Part No.	Description	Reqd. No. CX500Cc	Serial No.	Area code
PACKING SET (ADD 0.4 FOR EACH.)	1.2	1	16010-415-003	PACKING SET	2		DE,E,ED,F,IT,ND,U,1G,2G
NEEDLE SET, JET	0.9	2	16010-449-771	PACKING SET	2		CM
FLOAT SET	0.7	2	16155-413-751	VALVE, FLOAT	2		
JET, MAIN		3	16012-415-003	NEEDLE SET, JET	2		DE,E,ED,F,IT,ND,U,1G
CHAMBER SET, FLOAT	0.5	3	16012-415-611	NEEDLE SET, JET	2		2G
DIAPHRAGM SET, PUMP	0.6	3	16012-449-771	NEEDLE SET, JET	2		CM
PISTON SET, VACUUM	0.3	4	16013-413-751	FLOAT SET	2		
VALVE SET, AIR CUT	0.1	5	16015-413-004	CHAMBER SET, FLOAT	1		CM
CARBURETOR ASSY., R.	0.8	6	16016-385-681	SCREW SET A	2		DE,E,ED,F,IT,ND,U,1G,2G
CARBURETOR ASSY., L.	1.0	6	16016-385-681	SCREW SET A	2		
		7	16019-413-751	ROD SET, PUMP	1		CM
		8	16021-413-751	DIAPHRAGM SET, PUMP	1		CM
		9	16022-449-771	PISTON SET, VACUUM	2		
		10	16023-425-671	CHAMBER SET B, FLOAT	1		CM
		11	16026-449-671	JOINT SET, FUEL	1		DE,E,ED,F,IT,ND,U,1G,2G
		11	16026-449-751	JOINT SET, FUEL	1		CM
		12	16028-425-671	SCREW SET B	1		
		13	16029-413-004	SCREW SET C	1		
		14	16037-449-771	JOINT SET, FUEL	1		CM

E 8

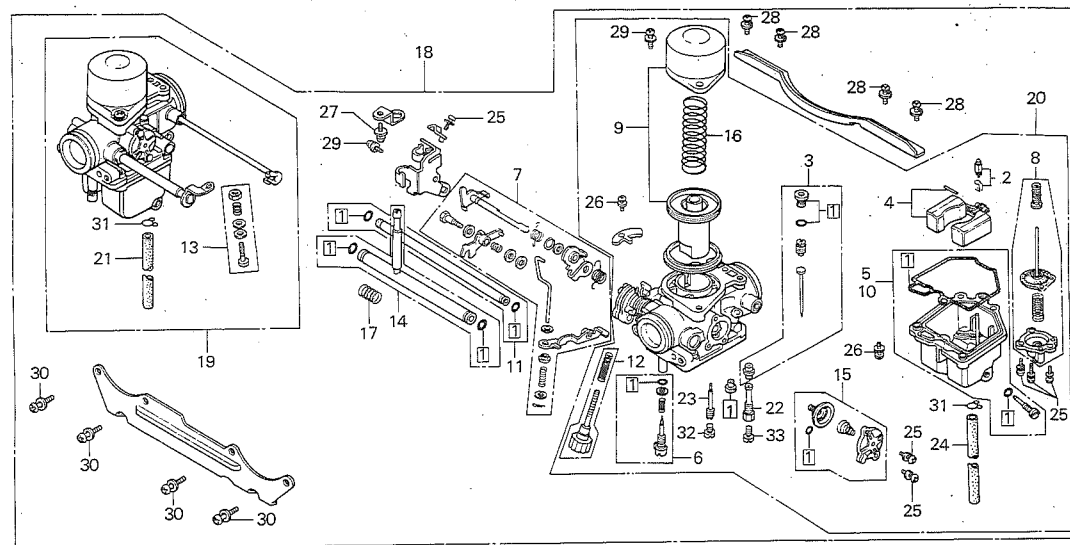
E-22

Carburetor

Carburateur

Vergaser

Carburador



B449-1A

Service item	F.R.T.	Ref. No.	Part No.	Description	Reqd. No. CX500Cc	Serial No.	Area code
		15	16048-429-671	VALVE SET, AIR CUT	2		CM
			16048-429-771	VALVE SET, AIR CUT	2		DE,E,ED,F,IT,ND,U,1G,2G
		16	16050-415-003	SPRING, VACUUM PISTON	2		
		17	16051-413-004	SPRING, COMPRESSION CDIL	2		CM
					1		DE,E,ED,F,IT,ND,U,1G,2G
		18	16100-449-043	CARBURETOR ASSY.	1		DE,E,ED,F,IT,ND,U
			16100-449-612	CARBURETOR ASSY.	1		1G
			16100-449-732	CARBURETOR ASSY.	1		CM
			16100-449-782	CARBURETOR ASSY.	1		2G
		19	16101-449-043	CARBURETOR ASSY., R.	1		DE,E,ED,F,IT,ND,U
			16101-449-612	CARBURETOR ASSY., R.	1		1G
			16101-449-732	CARBURETOR ASSY., R.	1		CM
			16101-449-782	CARBURETOR ASSY., R.	1		2G
		20	16102-449-043	CARBURETOR ASSY., L.	1		DE,E,ED,F,IT,ND,U
			16102-449-612	CARBURETOR ASSY., L.	1		1G
			16102-449-732	CARBURETOR ASSY., L.	1		CM
			16102-449-782	CARBURETOR ASSY., L.	1		2G
		21	16144-413-751	TUBE, OVER FLOW	1		



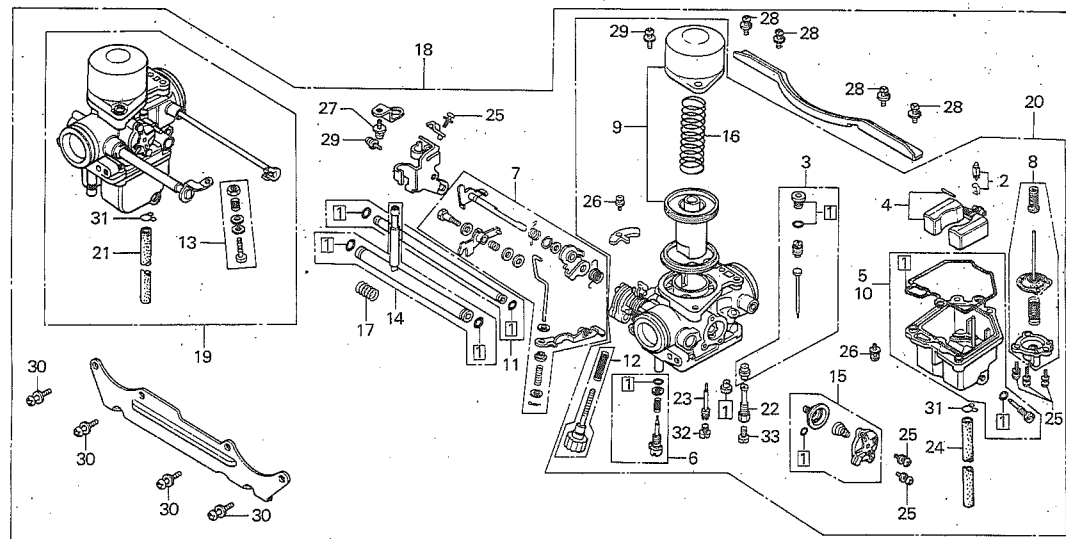
E-22

Carburetor

Carburateur

Vergaser

Carburador



B449-1A

Service item	F.R.T.	Ref. No.	Part No.	Description	Reqd. No. CX500Cc	Serial No.	Area code
		22	16165-413-004	HOLDER, NEEDLE JET	2		
		23	16166-415-003	NOZZLE, MAIN	2		
		24	16195-449-771	TUBE, FUEL	1		
		25	93892-04012-00	SCREW-WASHER, 4X12	4		CM
		26	93892-04016-00	SCREW-WASHER, 4X16	5		DE,E,ED,F,IT,ND,U,1G,2G
		27	93892-05008-00	SCREW-WASHER, 5X8	8		
		28	93892-05012-00	SCREW-WASHER, 5X12	1		DE,E,ED,F,IT,ND,U,1G,2G
		29	93892-05016-00	SCREW-WASHER, 5X16	4		
		30	93892-06014-00	SCREW-WASHER, 6X14	4		CM
		30	93892-06016-00	SCREW-WASHER, 6X16	5		DE,E,ED,F,IT,ND,U,1G,2G
		30	95002-02650	CLIP B6.5, TUBE	4		CM,DE,E,ED,F,IT,ND,U
		31	95002-02650	CLIP B6.5, TUBE	4		1G,2G
		32	99101-393-0780	JET, MAIN, #78	2		
		33	99102-393-1120	JET, MAIN, #112	2		DE,E,ED,F,IT,ND,U,1G,2G
		33	99102-393-1150	JET, SECONDARY MAIN, #115	2		CM



F-1-1

Headlight

(CX500c-DE, E, ED, F, IT, ND, U, 1G, 2G)

Phare

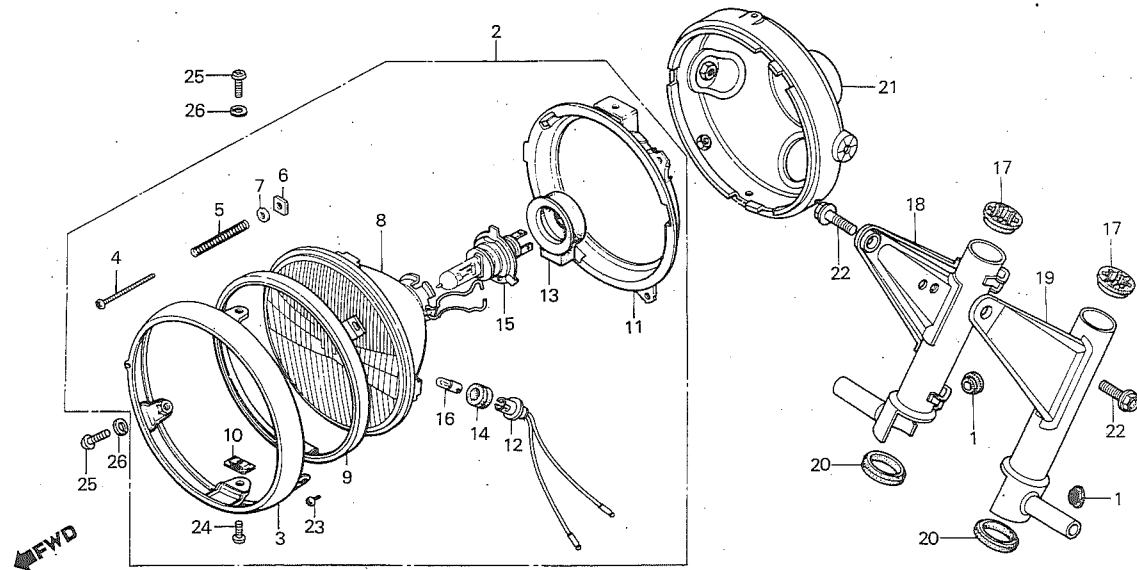
(CX500c-DE, E, ED, F, IT, ND, U, 1G, 2G)

Scheinwerfer

(CX500c-DE, E, ED, F, IT, ND, U, 1G, 2G)

Faro delantero

(CX500c-DE, E, ED, F, IT, ND, U, 1G, 2G)



B470-8A

Service item	F.R.T.	Ref. No.	Part No.	Description	Reqd. No. CX500c	Serial No.	Area code
HEADLIGHT ASSY.	0.1	1	32983-011-000	GROMMET, WIRE HARNESS	2		DE,E,ED,F,IT,ND,U,1G,2G
SOCKET COMP., MARKER LIGHT		2	33100-431-601	HEADLIGHT ASSY.	1		E,U
H4 BULB			33100-431-611	HEADLIGHT ASSY.	1		DE,ED,IT,ND,1G,2G
HEADLIGHT UNIT	0.2		33100-431-621	HEADLIGHT ASSY.	1		F
INC. RELATIVE PART		3	33101-405-671	RIM, HEADLIGHT	1		DE,E,ED,F,IT,ND,U,1G,2G
COVER, FR. FORK	0.7	4	33103-346-670	SCREW, BEAM ADJUSTING	1		DE,E,ED,F,IT,ND,U,1G,2G
(ADD 0.2 FOR EACH.)		5	33107-300-003	SPRING, HEADLIGHT BEAM ADJUSTING	1		DE,E,ED,F,IT,ND,U,1G,2G
CASE, HEADLIGHT	0.3						
		6	33117-001-023	NUT, HEADLIGHT BEAM ADJUSTING	1		DE,E,ED,F,IT,ND,U,1G,2G
		7	33119-371-003	WASHER, BEAM ADJUSTING	1		DE,E,ED,F,IT,ND,U,1G,2G
		8	33120-371-601	HEADLIGHT UNIT	1		E,U
			33120-371-611	HEADLIGHT UNIT	1		DE,ED,F,IT,ND,1G,2G
		9	33121-405-671	RING, RETAINING	1		DE,E,ED,F,IT,ND,U,1G,2G
		10	33128-292-670	NUT, UNIT HOLDER	2		DE,E,ED,F,IT,ND,U,1G,2G
		11	33153-375-671	RING, MOUNTING	1		DE,E,ED,F,IT,ND,U,1G,2G



F-1-1

Headlight

(CX500Cc-DE, E, ED, F, IT, ND, U, 1G, 2G)

Phare

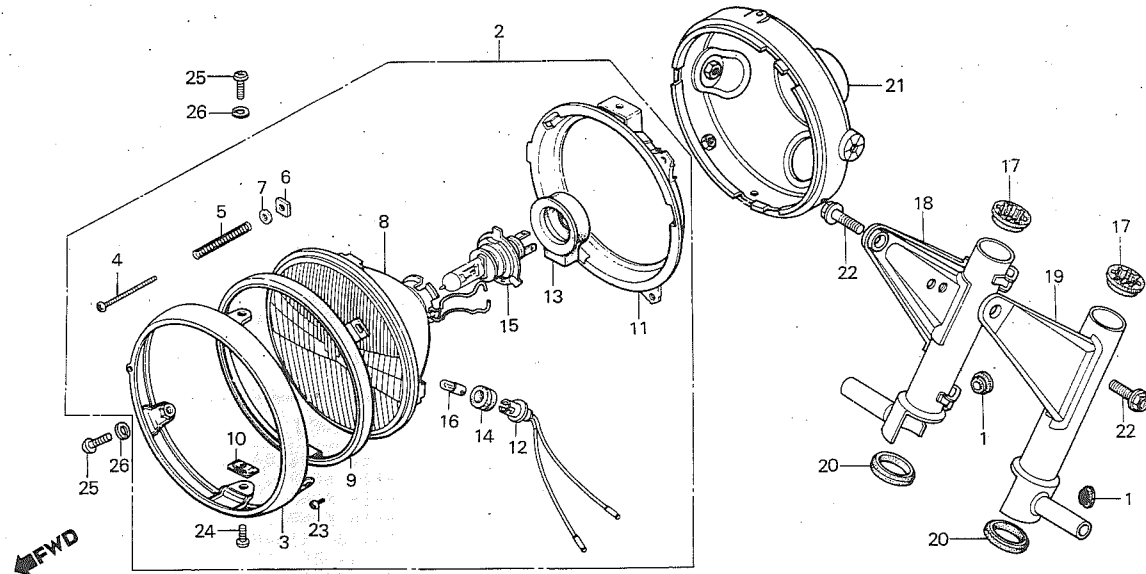
(CX500Cc-DE, E, ED, F, IT, ND, U, 1G, 2G)

Scheinwerfer

(CX500Cc-DE, E, ED, F, IT, ND, U, 1G, 2G)

Faro delantero

(CX500Cc-DE, E, ED, F, IT, ND, U, 1G, 2G)



B470-8A

Service item	F.R.T.	Ref. No.	Part No.	Description	Reqd. No. CX500Cc	Serial No.	Area code
		12	33170-390-611	SOCKET COMP., MARKER LIGHT	1		DE,E,ED,F,IT,ND,U,1G,2G
		13	33180-371-601	COVER, BULB	1		DE,E,ED,F,IT,ND,U,1G,2G
		14	33905-371-601	RUBBER, JOINT	1		DE,E,ED,F,IT,ND,U,1G,2G
		15	34901-371-601	H4 BULB(12342/99) MFD. BY PHILIPS (LOCAL PROCUREMENT PART)	1		DE,E,ED,IT,ND,U,1G,2G
			34901-371-621	H4 BULB(12342/99) MFD. BY PHILIPS (LOCAL PROCUREMENT PART)	1		F
		16	34903-388-611	BULB, POSITION (12V 4W) (LOCL PROCUREMENT PART)	1		DE,E,ED,F,IT,ND,U,1G,2G
		17	51601-449-000	CUSHION, FORK COVER UPPER	2		DE,E,ED,F,IT,ND,U,1G,2G
		18	51602-449-840	COVER, R. FR. FORK	1		E,F,IT,U
			51602-449-870	COVER, R. FR. FORK	1		DE,ED,ND,1G,2G
		19	51606-449-840	COVER, L. FR. FORK	1		E,F,IT,U
			51606-449-870	COVER, L. FR. FORK	1		DE,ED,ND,1G,2G
		20	51622-449-000	CUSHION B, FORK COVER	2		DE,E,ED,F,IT,ND,U,1G,2G
		21	61301-371-003	CASE, HEADLIGHT (STANLEY)	1		DE,E,ED,F,IT,ND,U,1G,2G



F-1-1

Headlight

(CX500Cc-DE, E, ED, F, IT, ND, U, 1G, 2G)

Phare

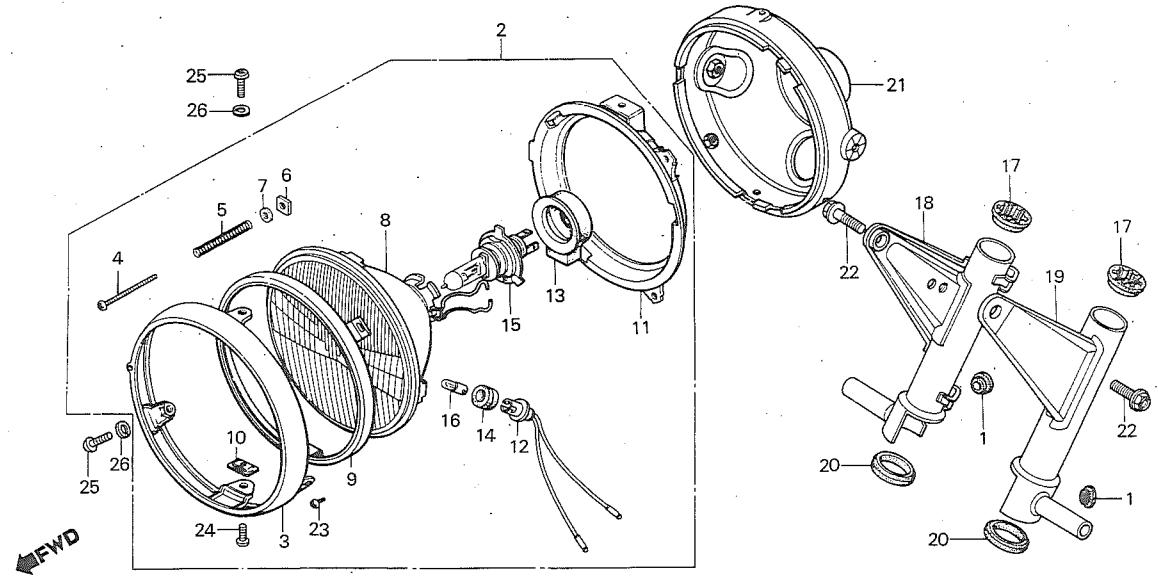
(CX500Cc-DE, E, ED, F, IT, ND, U, 1G, 2G)

Scheinwerfer

(CX500Cc-DE, E, ED, F, IT, ND, U, 1G, 2G)

Faro delantero

(CX500Cc-DE, E, ED, F, IT, ND, U, 1G, 2G)



B470-8A

Service item	F.R.T.	Ref. No.	Part No.	Description	Reqd. No. CX500Cc	Serial No.	Area code
		22	90151-449-000	BOLT, HEADLIGHT CASE SETTING	2		DE,E,ED,F,IT,ND,U,1G,2G
		23	93500-03008-1A	SCREW, PAN, 3X8	2		DE,E,ED,F,IT,ND,U,1G,2G
		24	93500-05008-0H	SCREW, PAN, 5X8	2		DE,E,ED,F,IT,ND,U,1G,2G
		25	93500-05016-0B	SCREW, PAN, 5X16	3		DE,E,ED,F,IT,ND,U,1G,2G
		26	94111-05000	WASHER, SPRING, 5MM	3		DE,E,ED,F,IT,ND,U,1G,2G

F 7

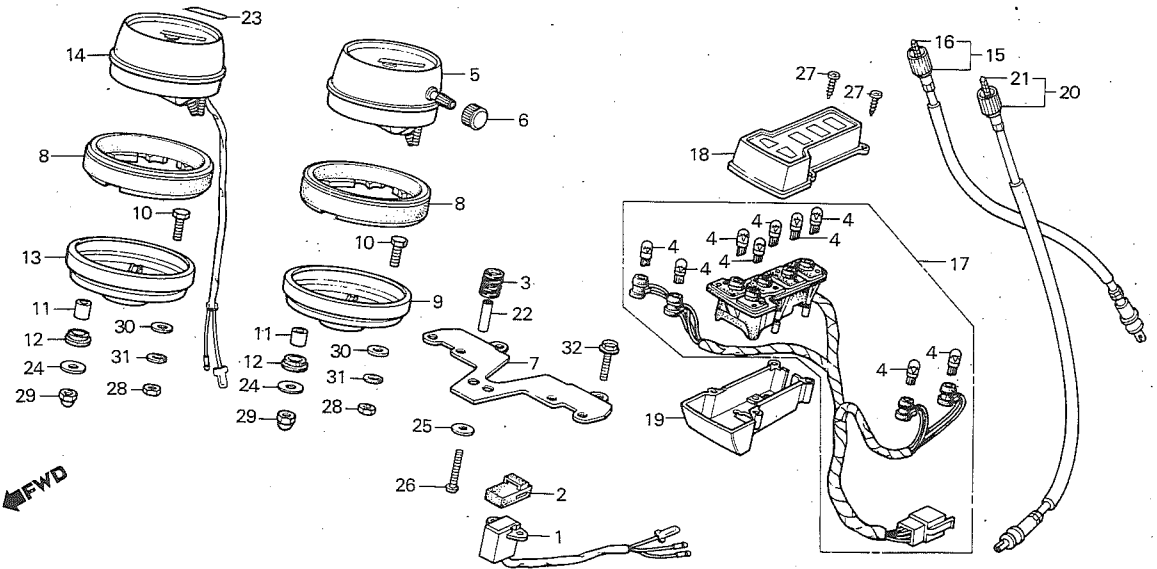
F-2

Meter

Compteurs

Messer

Medidor



B415-73D

Service item	F.R.T.	Ref. No.	Part No.	Description	Reqd. No. CX500Cc	Serial No.	Area code
REGULATOR	0.2	1	31410-449-018	REGULATOR (7V)	1		
• SPEEDOMETER ASSY.		2	31412-449-000	SUSPENSION, REGULATOR	1		
BRACKET, METER	0.4	3	32702-392-700	GROMMET, METER BRACKET	2		
TACHOMETER ASSY.	0.3	4	34908-6A7-701	BULB, WEDGE BASE (12V3.4W)	9		
• CABLE ASSY., TACHOMETER		5	37200-449-710	SPEEDOMETER ASSY. (KPH)	1		DE, ED, F, IT, ND, U, 1G, 2G
• SOCKET ASSY., RUBBER				(NIPPON SEIKI)			E
• CABLE ASSY., SPEEDOMETER	0.1		37200-449-730	SPEEDOMETER ASSY. (MPH/KPH)	1		CM
			37200-449-762	SPEEDOMETER ASSY. (MPH/KPH)	1		
				(NIPPON SEIKI)			
		6	37202-371-610	CAP, TRIP METER KNOB	1		1G, 2G
		7	37211-449-000	BRACKET, METER	1		
		8	37235-323-700	CUSHION, SPEEDOMETER	2		
		9	37236-426-000	PLATE, SPEEDOMETER UNDER	1		
		10	37238-323-700	BOLT, METER SETTING, 6MM	4		

F 8

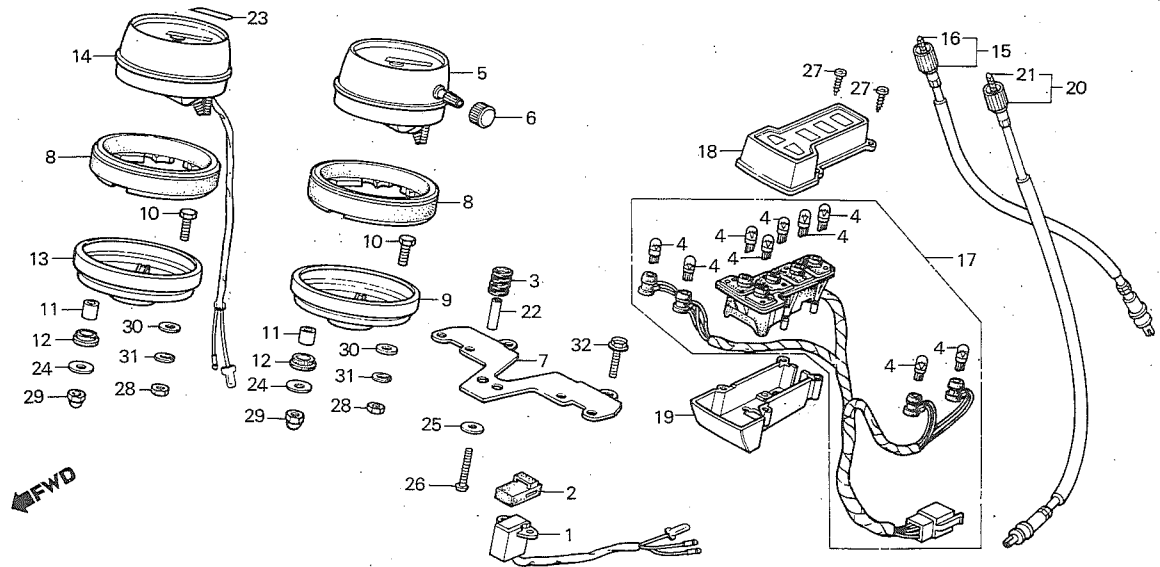
F-2

Meter

Compteurs

Messer

Medidor



B415-73D

Service item	F.R.T.	Ref. No.	Part No.	Description	Reqd. No. CX500Cc	Serial No.	Area code
		11	37243-323-700	COLLAR, METER SETTING	4		
		12	37244-307-670	RUBBER, METER SETTING	4		
		13	37246-426-000	PLATE, TACHOMETER UNDER	1		
		14	37250-449-710	TACHOMETER ASSY.	1		DE, E, ED, F, IT, ND, 1G, 2G
			37250-449-750	TACHOMETER ASSY.	1		CM, U
		15	37260-449-840	CABLE ASSY., TACHOMETER	1		
		16	37261-300-000	CABLE, TACHOMETER INNER	1		
		17	37619-449-841	SOCKET ASSY., RUBBER (NIPPON SEIKI)	1		
		18	37620-415-881	CASE, UPPER PILOT	1		
		19	37621-449-008	CASE, LOWER PILOT	1		
		20	44830-449-840	CABLE ASSY., SPEEDOMETER	1		
		21	44831-415-610	CABLE, SPEEDOMETER INNER	1		
		22	84706-375-000	COLLAR, NUMBER BRACKET SETTING	2		

F 9

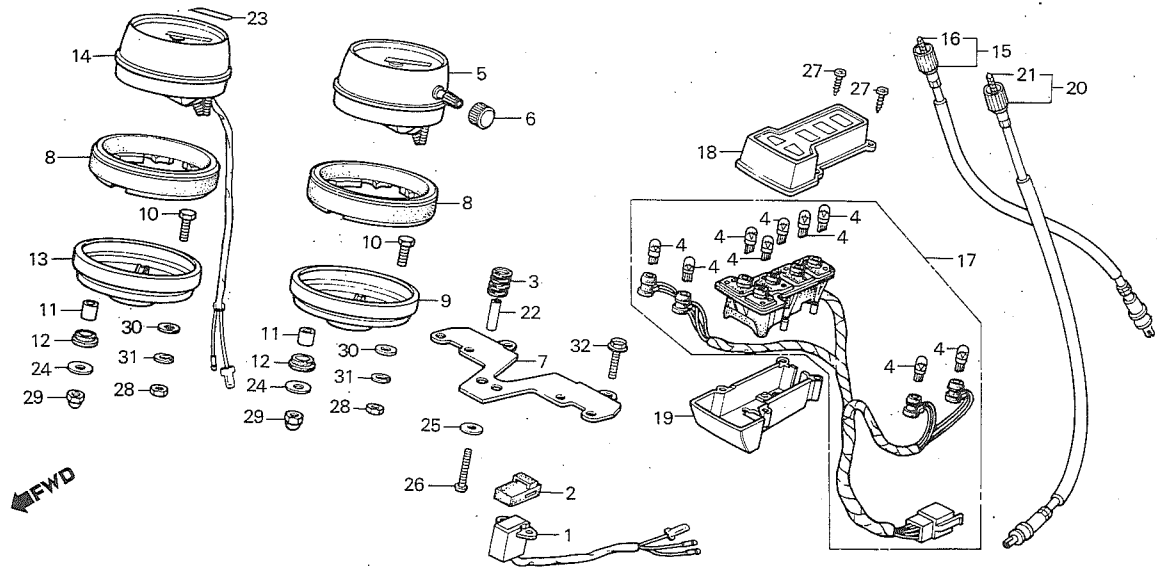
F-2

Meter

Compteurs

Messer

Medidor



B415-73D

Service item	F.R.T.	Ref. No.	Part No.	Description	Reqd. No. CX500Cc	Serial No.	Area code
		23	87514-431-620	LABEL, TEMPERATURE METER (FRENCH)	1		F
		24	90545-323-700	WASHER, 6.5X18	4		
		25	90581-342-000	WASHER, 20MM	2		
		26	93500-05028-0A	SCREW, PAN, 5X28	2		
		27	93901-34380	SCREW, TAPPING, 4X12	4		
		28	94001-06070-0S	NUT, HEX., 6MM	4		
		29	94021-06020	NUT, CAP, 6MM	4		
		30	94101-06700	WASHER, PLAIN, 6MM	4		
		31	94111-06700	WASHER, SPRING, 6MM	4		
		32	95700-06020-07	BOLT, FLANGE, 6X20	2		

F 10

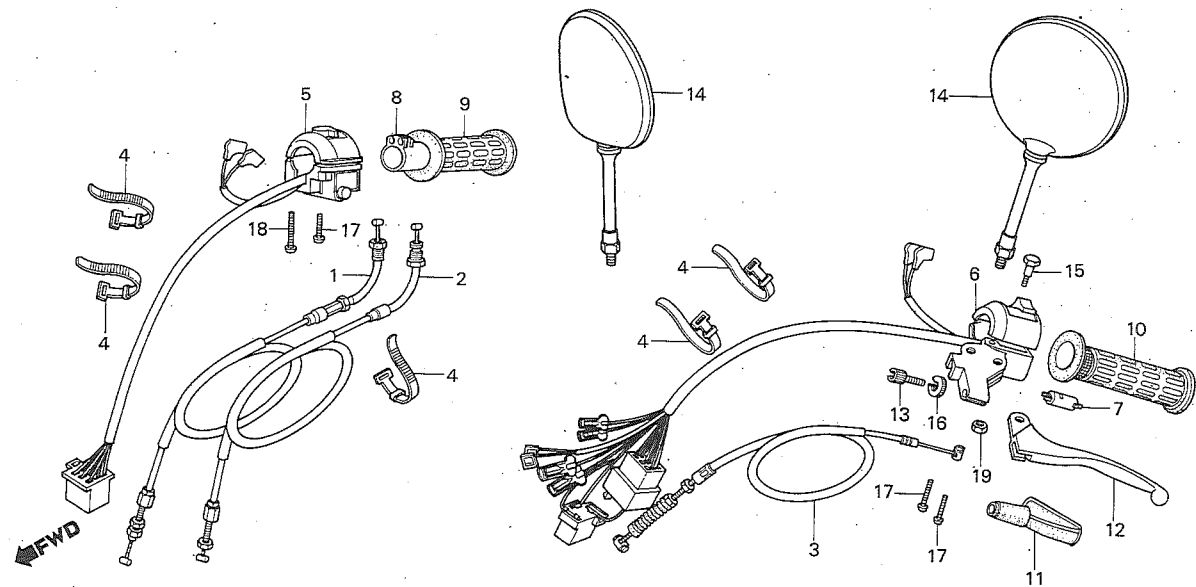
F-3

Handle lever · Switch · Cable

Levier de poignée · Interrupteur · Câble

Lenkstangenhebel · Schalter · Kabel

Palanca de manubrio · Interruptor · Cable



B449-2C

Service item	F.R.T.	Ref. No.	Part No.	Description	Reqd. No. CX500Cc	Serial No.	Area code
CABLE COMP., THROTTLE (ONE OR ALL)	0.6	1	17910-449-830	CABLE COMP. A, THROTTLE	1		
		2	17920-449-830	CABLE COMP. B, THROTTLE	1		
CABLE COMP., CLUTCH	0.3	3	22870-449-830	CABLE COMP., CLUTCH	1		
· PIPE, THROTTLE GRIP		4	32161-404-000	BAND B1, WIRE	5		
· SWITCH ASSY., STARTING KILL	0.4	5	35150-449-831	SWITCH ASSY., STARTING KILL (TOYO)	1		DE,E,ED,F,IT,ND,U,1G,2G
· SWITCH ASSY., WINKER							
· SWITCH COMP., FR. LEVER	0.1		35150-449-840	SWITCH ASSY., STARTER KILL	1		CM
· GRIP, HANDLE							
· LEVER COMP., L. STEERING HANDLE		6	35200-449-830	SWITCH ASSY., WINKER	1		DE,E,ED,F,IT,ND,U,1G,2G
			35200-449-840	SWITCH ASSY., WINKER	1		CM
		7	35330-413-003	SWITCH COMP., FR. LEVER	1		
		8	53141-300-010	PIPE, THROTTLE GRIP	1		
		9	53165-419-670	GRIP, R. HANDLE	1		
		10	53166-419-670	GRIP, L. HANDLE	1		
		11	53172-402-700	COVER, L. HANDLE LEVER	1		

F 11

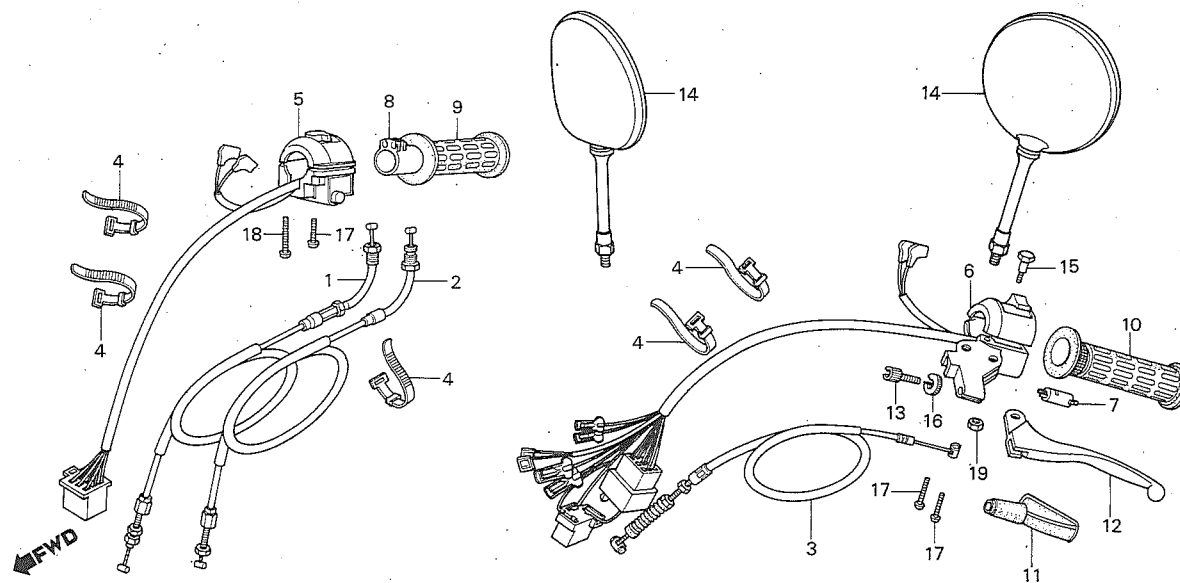
F-3

Handle lever · Switch · Cable

Levier de poignée · Interrupteur · Câble

Lenkstangenhebel · Schalter · Kabel

Palanca de manubrio · Interruptor · Cable



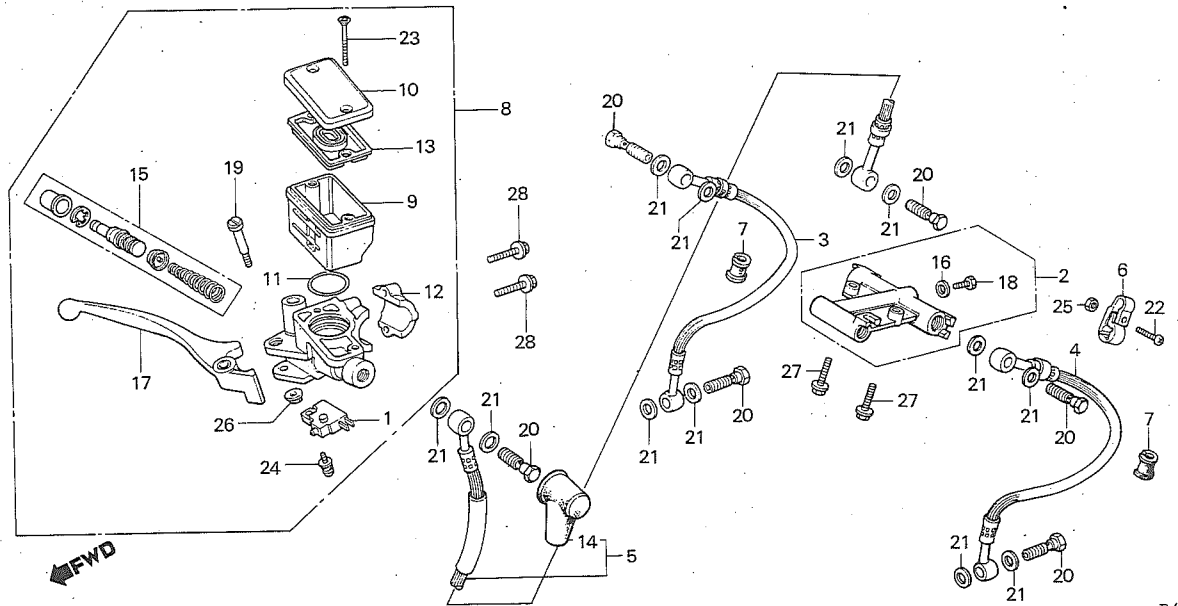
B449-2C

Service item	F.R.T.	Ref. No.	Part No.	Description	Reqd. No. CX500Cc	Serial No.	Area code
		12	53190-443-610	LEVER COMP., L. STEERING HANDLE	1		
		13	53192-268-000	BOLT, CLUTCH WIRE ADJUSTING	1		
		14	88100-449-900	MIRROR, BACK	2		U
			88110-449-830	MIRROR, BACK	2		CM,DE,E,ED,F,IT,ND,1G,2G
		15	90114-310-000	BOLT, HANDLE LEVER PIVOT	1		
		16	90321-315-670	NUT, FIXING	1		
		17	93500-05025-0A	SCREW, PAN, 5X25	3		
		18	93500-05035-0A	SCREW, PAN, 5X35	1		
		19	94001-06000	NUT, HEX., 6MM	1		

F 14

F-4-1

Front brake master cylinder
(CX500Cc-DE, E, ED, F, IT,
ND, U, 1G, 2G)
Maitre cylindre de frein avant
(CX500Cc-DE, E, ED, F, IT,
ND, U, 1G, 2G)
Vorderradbremse-Hauptzylinder
(CX500Cc-DE, E, ED, F, IT,
ND, U, 1G, 2G)
Cilindro maestro de freno
delantero
(CX500Cc-DE, E, ED, F, IT,
ND, U, 1G, 2G)



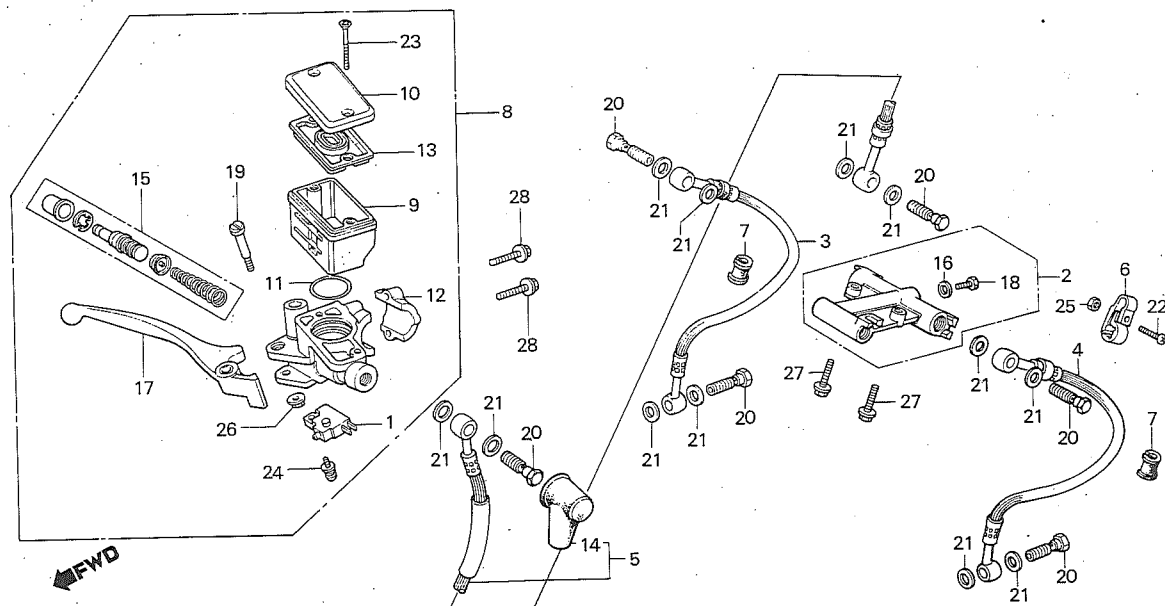
B415-83

Service item	F.R.T.	Ref. No.	Part No.	Description	Reqd. No. CX500Cc	Serial No.	Area code
SWITCH ASSY., FR. STOP	0.1	1	35340-MA5-671	SWITCH ASSY., FR. STOP	1		DE,E,ED,F,IT,ND,U,1G,2G
DIAPHRAGM		2	45123-449-831	JOINT ASSY., THREE WAY (NISSHIN)	1		DE,E,ED,F,IT,ND,U,1G,2G
LEVER COMP., R. HANDLE	0.4	3	45124-449-831	HOSE A, R. FR. BRAKE (NICHIRIN)	1		DE,E,ED,F,IT,ND,U,1G,2G
JOINT ASSY., THREE WAY		4	45125-449-831	HOSE A, L. FR. BRAKE (NICHIRIN)	1		DE,E,ED,F,IT,ND,U,1G,2G
CYLINDER SET, MASTER	0.3	5	45126-449-831	HOSE ASSY., FR. BRAKE (NICHIRIN)	1		DE,E,ED,F,IT,ND,U,1G,2G
HOSE FR. BRAKE		6	45128-415-610	CLAMP, BRAKE HOSE	1		DE,E,ED,F,IT,ND,U,1G,2G
(WHEN SERVICING COMP., UNIT, F.R.T. IS 0.4.)		7	45146-371-000	BUSH, BRAKE HOSE	2		DE,E,ED,F,IT,ND,U,1G,2G
CYLINDER ASSY., FR. BRAKE	0.2	8	45500-MA5-671	CYLINDER ASSY., FR. BRAKE MASTER	1		DE,E,ED,F,IT,ND,U,1G,2G
MASTER		9	45511-MA5-671	CUP, OIL	1		DE,E,ED,F,IT,ND,U,1G,2G
CUP, OIL		10	45513-MA5-671	CAP, OIL CUP	1		DE,E,ED,F,IT,ND,U,1G,2G
		11	45516-166-006	O-RING	1		DE,E,ED,F,IT,ND,U,1G,2G
		12	45517-MA5-671	HOLDER, MASTER CYLINDER	1		DE,E,ED,F,IT,ND,U,1G,2G
		13	45520-MA5-671	DIAPHRAGM	1		DE,E,ED,F,IT,ND,U,1G,2G

F 15

F-4-1

Front brake master cylinder
(CX500Cc-DE, E, ED, F, IT,
ND, U, 1G, 2G)
Maître cylindre de frein avant
(CX500Cc-DE, E, ED, F, IT,
ND, U, 1G, 2G)
Vorderradbremse-Hauptzylinder
(CX500Cc-DE, E, ED, F, IT,
ND, U, 1G, 2G)
Cilindro maestro de freno
delantero
(CX500Cc-DE, E, ED, F, IT,
ND, U, 1G, 2G)



B415-83

Service item	F.R.T.	Ref. No.	Part No.	Description	Reqd. No. CX500Cc	Serial No.	Area code
		14	45522-422-000	BOOT, MASTER CYLINDER	1		DE,E,ED,F,IT,ND,U,1G,2G
		15	45530-MA5-671	CYLINDER SET, MASTER	1		DE,E,ED,F,IT,ND,U,1G,2G
		16	46138-568-671	WASHER, STOPPER BOLT	1		DE,E,ED,F,IT,ND,U,1G,2G
		17	53175-MA5-671	LEVER COMP., R. HANDLE	1		DE,E,ED,F,IT,ND,U,1G,2G
		18	90105-371-003	BOLT, SEALING (NISSHIN)	1		DE,E,ED,F,IT,ND,U,1G,2G
		19	90114-MA5-671	BOLT, R. STEERING HANDLE LEVER PIVOT	1		DE,E,ED,F,IT,ND,U,1G,2G
		20	90145-300-000	BOLT, OIL	6		DE,E,ED,F,IT,ND,U,1G,2G
		21	90545-300-000	WASHER, OIL BOLT	12		DE,E,ED,F,IT,ND,U,1G,2G
		22	93500-04016-0A	SCREW, PAN, 4X16	1		DE,E,ED,F,IT,ND,U,1G,2G
		23	93600-04045-1G	SCREW, FLAT, 4X45	2		DE,E,ED,F,IT,ND,U,1G,2G
		24	93893-04012-18	SCREW-WASHER, 4X12	1		DE,E,ED,F,IT,ND,U,1G,2G
		25	94002-04000-0S	NUT, HEX., 4MM	1		DE,E,ED,F,IT,ND,U,1G,2G
		26	94050-06000	NUT, FLANGE, 6MM	1		DE,E,ED,F,IT,ND,U,1G,2G
		27	95700-06022-00	BOLT, FLANGE, 6X22	2		DE,E,ED,F,IT,ND,U,1G,2G
		28	95700-06025-07	BOLT, FLANGE, 6X25	2		DE,E,ED,F,IT,ND,U,1G,2G

F 16

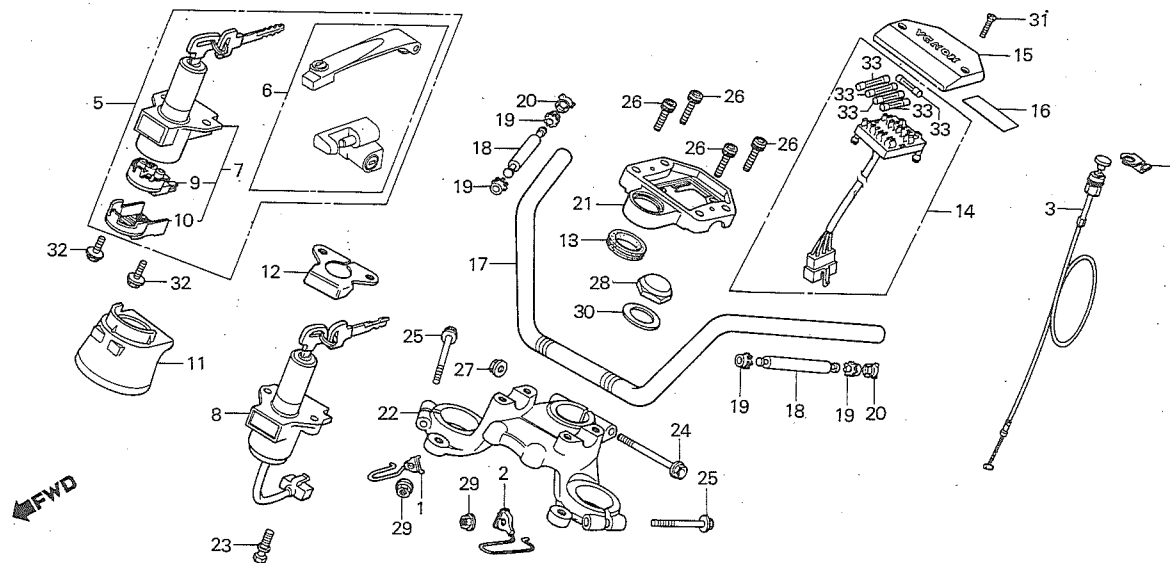
F-5

Handle pipe · Top bridge · Key set

Guidon · Haut de fourche · Jeu de clés

Lenkrohr · Obere Brücke · Schloßsatz

Tubo do manubrio · Puente superior · Juego de llaves



B449-17

Service item	F.R.T.	Ref. No.	Part No.	Description	Reqd. No. CX500Cc	Serial No.	Area code
CABLE COMP., CHOKE	0.3	1	17908-MA1-000	GUIDE, R. CABLE	1		
KEY SET A.		2	17918-MA1-000	GUIDE, L. CABLE	1		
PLATE ASSY., FUSE		3	17950-415-000	CABLE COMP., CHOKE	1		
HOLDER, HANDLE UPPER		4	17951-449-830	BRACKET, CHOKE WIRE	1		
KEY SET	0.7	5	35010-449-840	KEY SET	1		CM
PIPE, STEERING HANDLE			35010-449-860	KEY SET	1		DE,E,ED,F,IT,U
SWITCH ASSY., COMBINATION & LOCK	0.4	6	35010-449-870	KEY SET A	1		ND,1G,2G
BASE COMP., CONTACT		7	35100-422-017	SWITCH ASSY., COMBINATION & LOCK	1		E,ED,F,IT,U,DE
WEIGHT, HANDLE	0.1		35100-431-037	SWITCH ASSY., COMBINATION & LOCK	1		CM
BRIDGE, FORK TOP	0.6		35100-449-871	SWITCH ASSY., COMBINATION & LOCK	1		ND,1G,2G
		9	35101-422-007	BASE COMP., CONTACT	1		DE,E,ED,F,IT,U
		10	35102-431-007	COVER, SWITCH	1		DE,E,ED,F,IT,U
		11	35105-449-000	COVER, COMBINATION SWITCH	1		CM,DE,E,ED,F,IT,U
		12	35106-MA1-610	COVER, COMBINATION SWITCH	1		ND,1G,2G

G 1

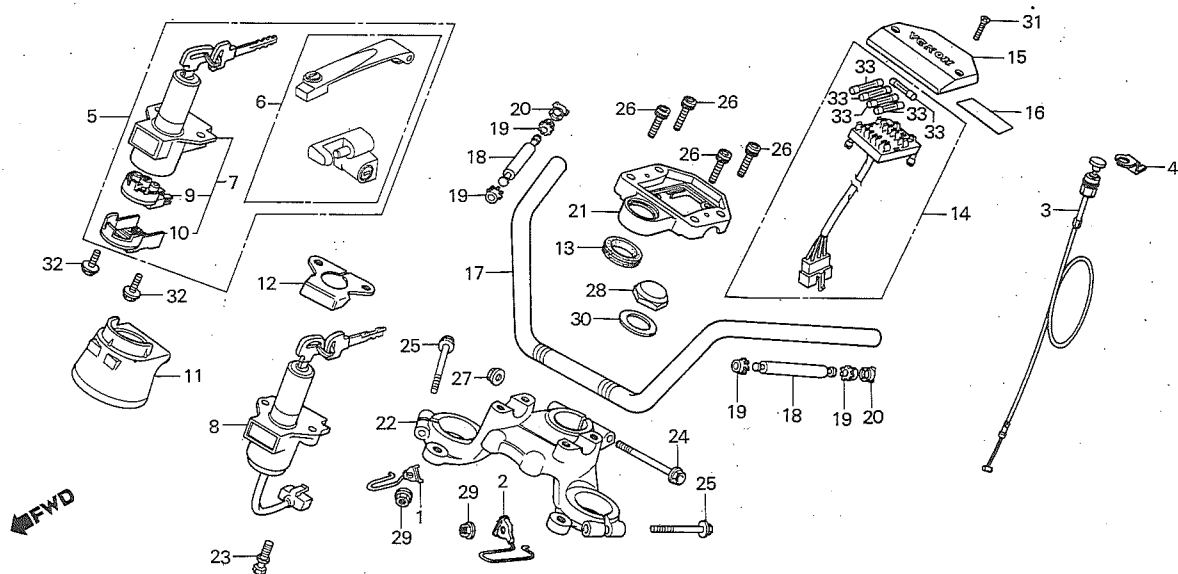
F-5

Handle pipe · Top bridge · Key set

Guidon · Haut de fourche · Jeu de clés

Lenkrohr · Obere Brücke · Schloßsatz

Tubo do manubrio · Puente superior · Juego de llaves



B449-17

Service item	F.R.T.	Ref. No.	Part No.	Description	Reqd. No. CX500Cc	Serial No.	Area code
		13	37623-415-000	RUBBER, IGNITION SWITCH SETTING	1		
		14	38200-449-830	PLATE ASSY., FUSE	1		
		15	38210-449-830	COVER, FUSE PLATE	1		
		16	38215-425-000	LABEL, FUSE	1		CM,DE,E,ED,IT,ND,U,1G,2G
			38215-425-620	LABEL, FUSE (FRENCH)	1		CM,F
		17	53100-449-830	PIPE, STEERING HANDLE	1		
		18	53105-449-830	WEIGHT, HANDLE	2		
		19	53107-415-000	RUBBER, HANDLE WEIGHT	4		
		20	53108-415-004	RING, HANDLE WEIGHT SNAP	2		
		21	53131-449-830	HOLDER, HANDLE UPPER	1		
		22	53230-415-000ZA	BRIDGE, FORK TOP *NH-105*	1		DE,E,F,IT,U
			53230-449-750ZA	BRIDGE, FORK TOP *NH-105*	1		CM
			53230-449-830ZA	BRIDGE, FORK TOP *NH-105*	1		ED

G 2

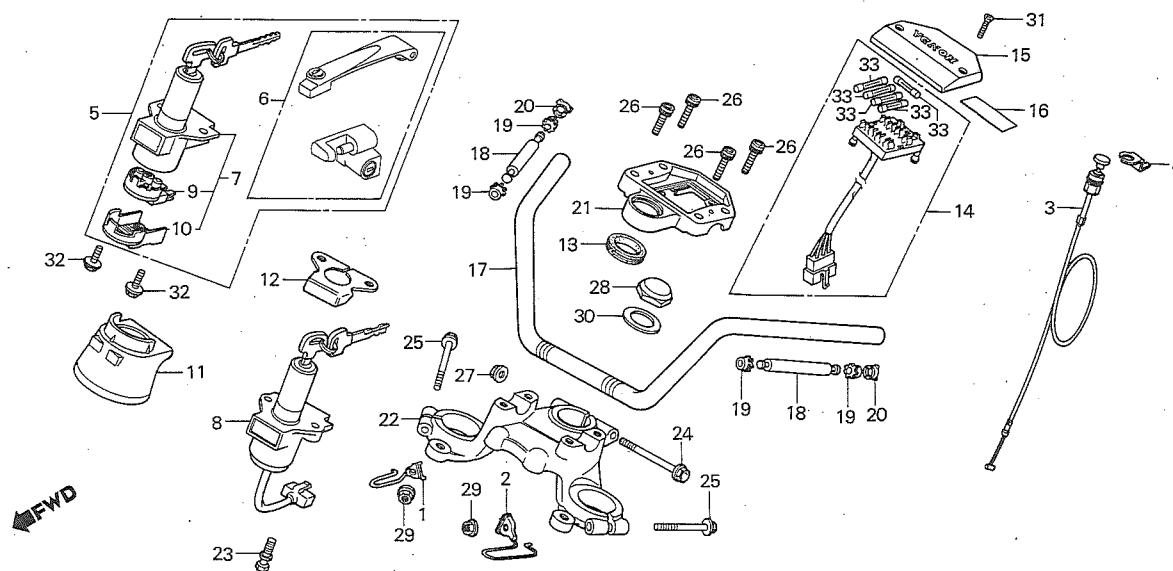
F-5

Handle pipe · Top bridge · Key set

Guidon · Haut de fourche · Jeu de clés

Lenkrohr · Obere Brücke · Schloßsatz

Tubo do manubrio · Puente superior · Juego de llaves



B449-17

Service item	F.R.T.	Ref. No.	Part No.	Description	Reqd. No. CX500Cc	Serial No.	Area code
			53230-449-870ZA	BRIDGE, FORK TOP *NH-105*	1		ND,1G,2G
		23	90105-MC7-610	BOLT, COMBINATION SWITCH SETTING	2		ND,1G,2G
		24	90124-458-000	BOLT, FLANGE, 8X72	1		DE,E,ED,F,IT,ND,U,1G,2G
		25	90155-369-000	BOLT, FLANGE, 7X54	2		
		26	90185-371-000	BOLT, HEX. SOCKET, 8X32	4		
		27	90303-369-000	NUT, FLANGE, 8MM	1		DE,E,ED,F,IT,ND,U,1G,2G
		28	90304-425-000	NUT, STEERING STEM	1		
		29	90355-369-000	NUT, FLANGE, 7MM	2		
		30	90503-425-000	WASHER, STEERING STEM	1		
		31	93700-05020-0G	SCREW, OVAL, 5X20	2		
		32	95700-06014-00	BOLT, FLANGE, 6X14	2		CM,DE,E,ED,F,IT,U
		33	98200-21000	FUSE B (10A)	5		



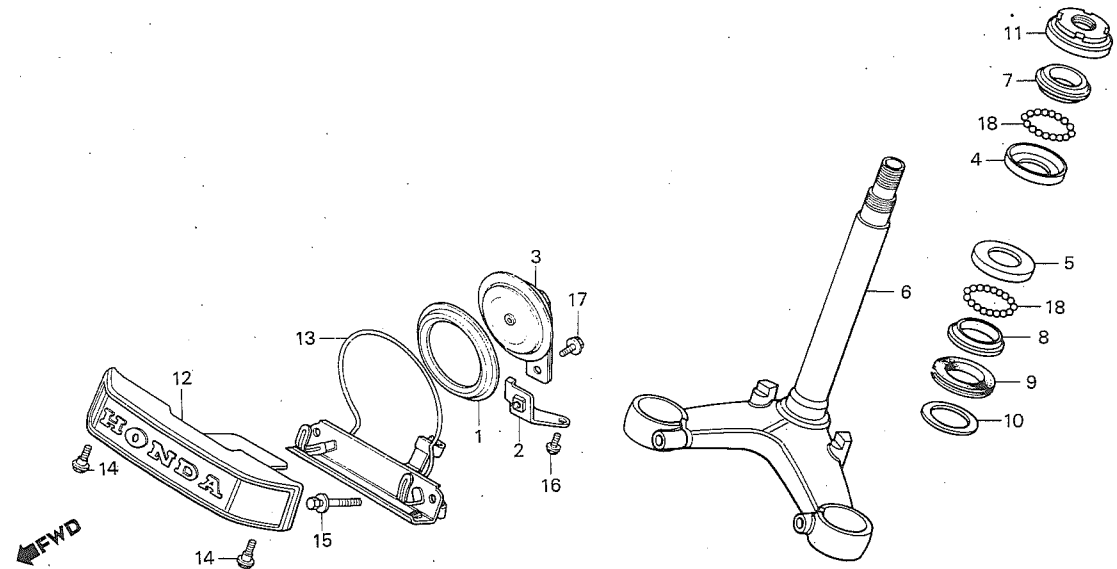
F-6

Steering stem - Horn

Tige de direction - Avertisseur

Steuerkopfschaft - Hupe

Varilla de dirección - Bocina



B449-18

Service item	F.R.T.	Ref. No.	Part No.	Description	Reqd. No. CX500Cc	Serial No.	Area code
HORN COMP.	0.2	1	38101-425-004	RING, HORN	1		DE,E,ED,F,IT,ND,1G,2G
RACE, STEERING BALL (ONE OR ALL)	1.0	2	38102-449-000	STAY, HORN	1		
STEM COMP., STEERING	1.1	3	38110-413-000	HORN COMP.	1		
RACE, STEERING TOP CONE	0.5	4	50301-268-000	RACE, STEERING TOP BALL	1		
THREAD COMP., STEERING HEAD TOP COVER, FR.	0.1	5	50302-268-000	RACE, STEERING BOTTOM BALL	1		
		6	53200-415-000ZA	STEM COMP., STEERING *NH-1*	1		DE,E,ED,F,IT,ND,1G,2G
			53200-415-610ZA	STEM COMP., STEERING *NH-1*	1		U
			53200-449-750ZA	STEM COMP., STEERING *NH-105*	1		CM
		7	53211-268-000	RACE, STEERING TOP CONE	1		
		8	53212-250-000	RACE, STEERING BOTTOM CONE	1		
		9	53214-250-000	DUST SEAL, STEERING HEAD	1		



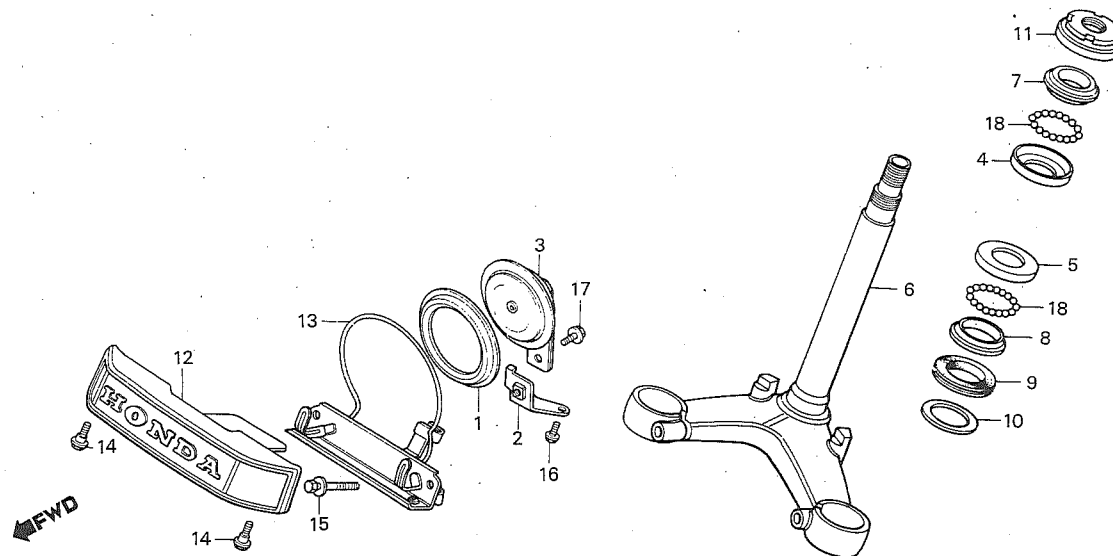
F-6

Steering stem · Horn

Tige de direction · Avertisseur

Steuerkopfschaft · Hupe

Varilla de dirección · Bocina



B449-18

Service item	F.R.T.	Ref. No.	Part No.	Description	Reqd. No. CX500cc	Serial No.	Area code
		10	53215-250-000	WASHER, STEERING HEAD DUST SEAL	1		
		11	53220-286-000	THREAD COMP., STEERING HEAD TOP	1		
		12	61401-449-010	COVER, FR.	1		
		13	61405-449-610	STAY, FR. COVER	1		
			61405-449-840	STAY, FR. COVER	1		
		14	90111-162-000	BOLT, FLANGE, 6MM	2		DE, E, ED, F, IT, ND, U, 1G, 2G CM
		15	93481-08040-00	BOLT-WASHER, 8X40	2		
		16	95700-06012-08	BOLT, FLANGE, 6X12	2		
		17	95700-08012-00	BOLT, FLANGE, 8X12	1		
		18	96211-08000	BALL, STEEL, #8 (1/4)	37		

G 5

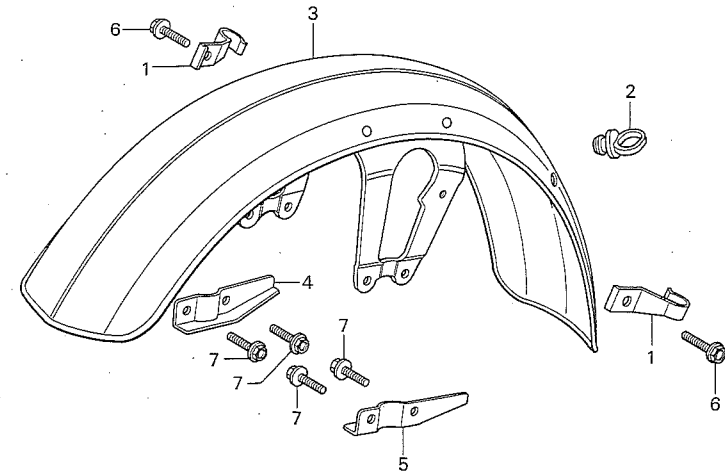
F-7

Front fender

Garde-boue avant

Vorderer Kotflügel

Parafango delantero



B415-30

Service item	F.R.T.	Ref. No.	Part No.	Description	Reqd. No. CX500Cc	Serial No.	Area code
GROMMET, WIRE	0.1	1	45417-413-000	CLAMP A, BRAKE HOSE	2		DE,E,ED,F,IT,ND,U,1G,2G
FENDER COMP., FR.	0.2	1	45417-449-750	CLAMP A, BRAKE HOSE	1		CM
		2	45451-471-000	GROMMET, WIRE	1		
		3	61100-415-000	FENDER COMP., FR.	1		DE
			61100-449-000	FENDER COMP., FR.	1		E,ED,F,IT,ND,U,1G,2G
			61100-449-750	FENDER COMP., FR.	1		CM
		4	61101-449-830	GUIDE, R. FR. FENDER	1		DE,E,ED,F,IT,ND,U,1G,2G
		5	61102-449-830	GUIDE, L. FR. FENDER	1		
		6	95700-06010-00	BOLT, FLANGE, 6X10	1		CM
					2		DE,E,ED,F,IT,ND,U,1G,2G
		7	95700-06016-08	BOLT, FLANGE, 6X16	4		



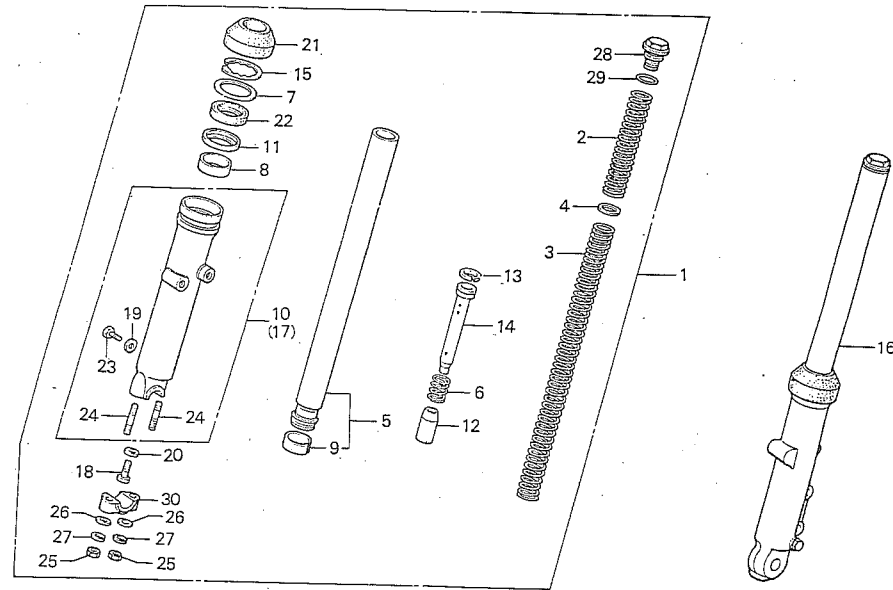
F-8-1

Front fork
(CX500Cc-DE, E, ED, F, IT,
ND, U, 1G, 2G)

Fourche avant
(CX500Cc-DE, E, ED, F, IT,
ND, U, 1G, 2G)

Vordergabel
(CX500Cc-DE, E, ED, F, IT,
ND, U, 1G, 2G)

Horquilla delantero
(CX500Cc-DE, E, ED, F, IT,
ND, U, 1G, 2G)



B470-27

Service item	F.R.T.	Ref. No.	Part No.	Description	Reqd. No. CX500Cc	Serial No.	Area code
FORK ASSY., FR. (ADD 0.2 FOR EACH.)	0.5	1	51400-449-711	FORK ASSY., R. FR. (SHOWA)	1		DE,E,ED,F,IT,ND,U,1G,2G
SPRING B, FR. CUSHION	0.2	2	51401-449-711	SPRING A, FR. CUSHION (SHOWA)	2		DE,E,ED,F,IT,ND,U,1G,2G
PIPE COMP., FR. FORK (ADD 0.5 FOR EACH.)	0.8	3	51402-449-711	SPRING B, FR. CUSHION (SHOWA)	2		DE,E,ED,F,IT,ND,U,1G,2G
CASE COMP., BOTTOM (ADD 0.5 FOR EACH.)		4	51403-362-010	PLATE, SPRING JOINT	2		DE,E,ED,F,IT,ND,U,1G,2G
OIL SEAL, 33X46X11. (ADD 0.4 FOR EACH.)		5	51410-449-711	PIPE COMP., FR. FORK (SHOWA)	2		DE,E,ED,F,IT,ND,U,1G,2G
		6	51412-331-770	SPRING, FR. CUSHION REBOUND	2		DE,E,ED,F,IT,ND,U,1G,2G
	0.7	7	51413-447-731	PLATE, BACK UP	2		DE,E,ED,F,IT,ND,U,1G,2G
		8	51414-447-731	BUSH, GUIDE	2		DE,E,ED,F,IT,ND,U,1G,2G
		9	51415-447-731	BUSH, SLIDER	2		DE,E,ED,F,IT,ND,U,1G,2G
		10	51421-449-711	CASE COMP., R. BOTTOM (SHOWA)	1		DE,E,ED,F,IT,ND,U,1G,2G
		11	51422-376-003	RING, BACK UP	2		DE,E,ED,F,IT,ND,U,1G,2G
		12	51432-447-731	PIECE, OIL LOCK	2		DE,E,ED,F,IT,ND,U,1G,2G
		13	51437-373-781	RING, PISTON	2		DE,E,ED,F,IT,ND,U,1G,2G

G 10

F-8-1

Front fork

(CX500Cc-DE, E, ED, F, IT,
ND, U, 1G, 2G)

Fourche avant

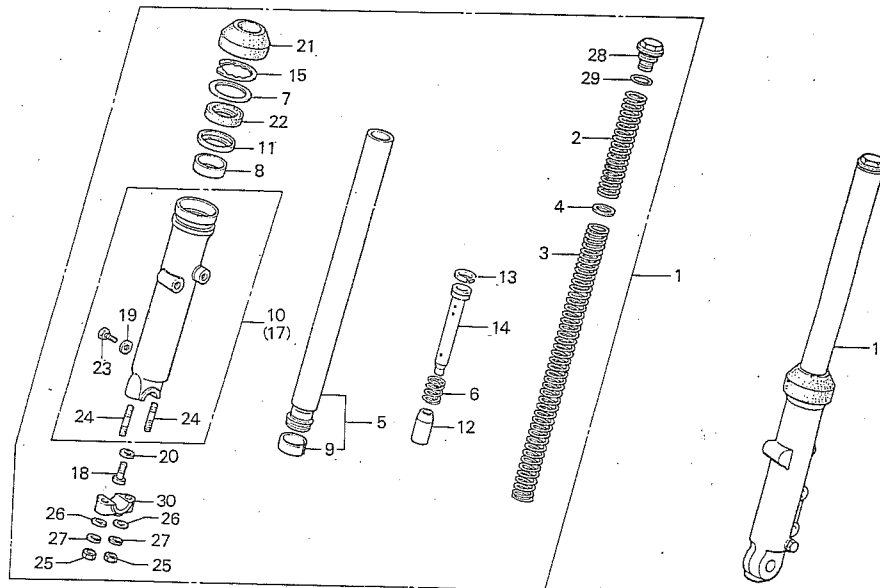
(CX500Cc-DE, E, ED, F, IT,
ND, U, 1G, 2G)

Vordergabel

(CX500Cc-DE, E, ED, F, IT,
ND, U, 1G, 2G)

Horquilla delantero

(CX500Cc-DE, E, ED, F, IT,
ND, U, 1G, 2G)



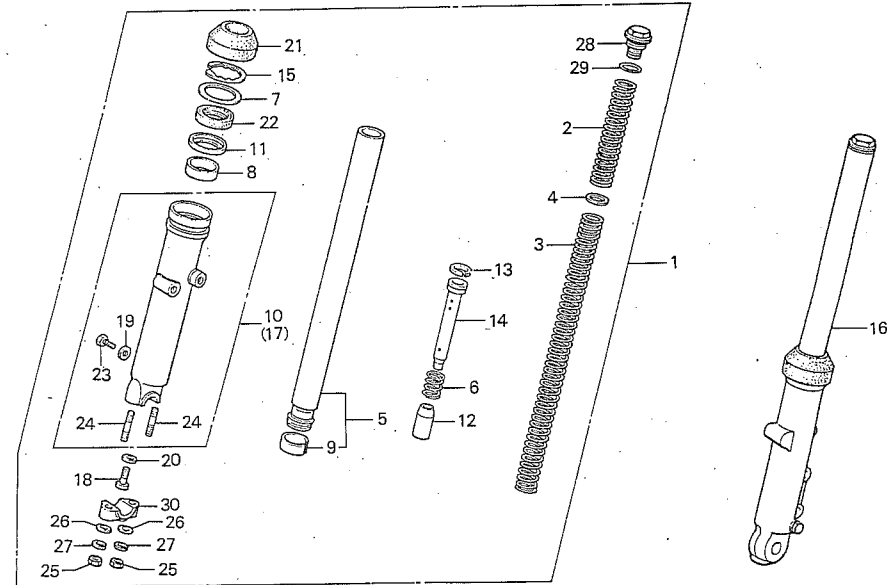
B470-27

Service item	F.R.T.	Ref. No.	Part No.	Description	Reqd. No. CX500Cc	Serial No.	Area code
		14	51440-449-711	PIPE, SEAT	2		DE,E,ED,F,IT,ND,U,1G,2G
		15	51447-447-731	CIRCLIP, INTERNAL	2		DE,E,ED,F,IT,ND,U,1G,2G
		16	51500-449-711	FORK ASSY., L. FR. (SHOWA)	1		DE,E,ED,F,IT,ND,U,1G,2G
		17	51521-447-731	CASE, L. BOTTOM	1		DE,E,ED,F,IT,ND,U,1G,2G
		18	90116-283-010	BOLT, SOCKET, 8MM	2		DE,E,ED,F,IT,ND,U,1G,2G
		19	90543-273-000	PACKING, FR. FORK DRAIN COCK	2		DE,E,ED,F,IT,ND,U,1G,2G
		20	90544-283-000	WASHER, SPECIAL, 8MM	2		DE,E,ED,F,IT,ND,U,1G,2G
		21	91254-413-881	DUST SEAL, FR. FORK	2		DE,E,ED,F,IT,ND,U,1G,2G
		22	91255-413-881	OIL SEAL, 33X46X11	2		DE,E,ED,F,IT,ND,U,1G,2G
		23	92000-06008	BOLT, HEX., 6X8	2		DE,E,ED,F,IT,ND,U,1G,2G
		24	92700-08050-3B	BOLT, STUD, 8X50	2		DE,E,ED,F,IT,ND,U,1G,2G
		25	94030-08000	NUT, HEX., 8MM	2		DE,E,ED,F,IT,ND,U,1G,2G
		26	94101-08000	WASHER, PLAIN, 8MM	2		DE,E,ED,F,IT,ND,U,1G,2G
		27	94111-08000	WASHER, SPRING, 8MM	2		DE,E,ED,F,IT,ND,U,1G,2G
		28	94605-27101	BOLT D1, FORK	2		DE,E,ED,F,IT,ND,U,1G,2G
		29	94608-50000	O-RING, 23X2.8	2		DE,E,ED,F,IT,ND,U,1G,2G

G 11

F-8-1

Front fork
(CX500Cc-DE, E, ED, F, IT,
ND, U, 1G, 2G)
Fourche avant
(CX500Cc-DE, E, ED, F, IT,
ND, U, 1G, 2G)
Vordergabel
(CX500Cc-DE, E, ED, F, IT,
ND, U, 1G, 2G)
Horquilla delantero
(CX500Cc-DE, E, ED, F, IT,
ND, U, 1G, 2G)



B570-27

Service item	F.R.T.	Ref. No.	Part No.	Description	Regd. No. CX500Cc	Serial No.	Area code
		30	95014-41000	HOLDER 1C, FR. FORK AXLE	1		DE,E,ED,F,IT,ND,U,1G,2G

G 14

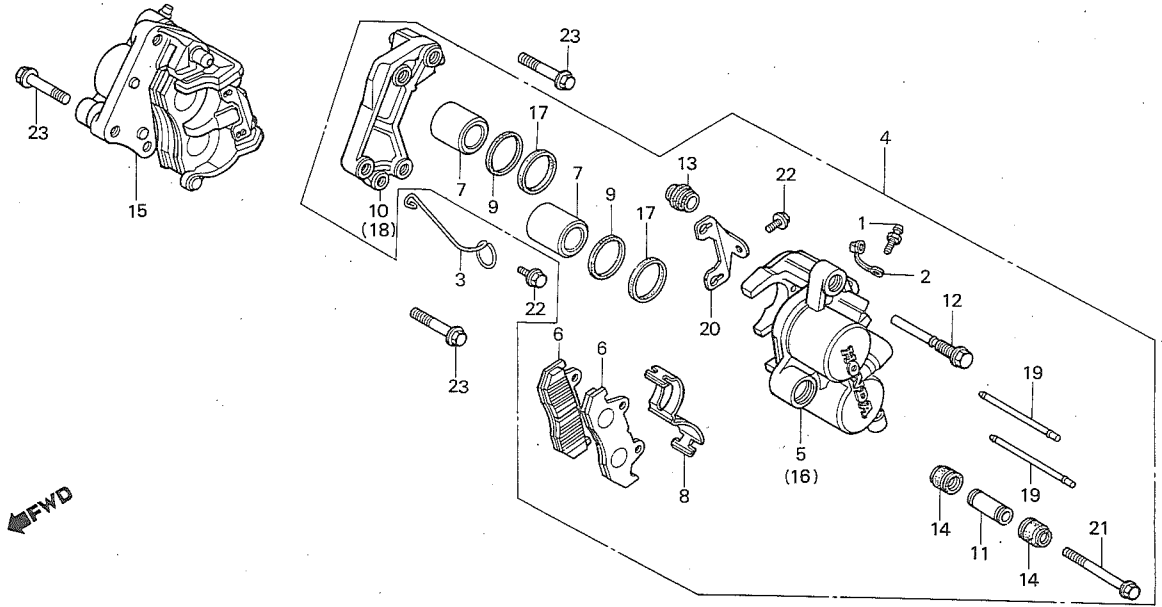
F-9-1

Front brake caliper
(CX500Cc-DE, E, ED, F, IT,
ND, F, IT, ND, U, 1G, 2G)

Etrier de frein avant
(CX500Cc-DE, E, ED, F, IT,
ND, U, 1G, 2G)

Vorderradbremssattel
(CX500Cc-DE, E, ED, F, IT,
ND, U, 1G, 2G)

Calibrador de freno delantero
(CX500Cc-DE, E, ED, F, IT,
ND, U, 1G, 2G)



BM1-38

Service item	F.R.T.	Ref. No.	Part No.	Description	Reqd. No. CX500Cc	Serial No.	Area code
CALIPER ASSY., FR. (ADD 0.1 FOR EACH.)	0.3	1	43352-568-003	SCREW, BLEEDER	2		DE,E,ED,F,IT,ND,U,1G,2G
		2	43353-461-771	CAP, BLEEDER	2		DE,E,ED,F,IT,ND,U,1G,2G
		3	44832-MA3-000	CLAMP, SPEEDMETER CABLE	1		DE,E,ED,F,IT,ND,U,1G,2G
PISTON (ADD 0.1 FOR EACH.)		4	45100-MA1-771	CALIPER ASSY., L. FR. (NISSHIN JB)	1		DE,E,ED,F,IT,ND,U,1G,2G
CALIPER COMP. (ADD 0.3 FOR EACH.)	0.5		45100-MA1-772	CALIPER ASSY., L. FR. (NISSHIN ASK)	1		DE,E,ED,F,IT,ND,U,1G,2G
PAD COMP.	0.1						
BRACKET	0.2	5	45101-MA3-006	CALIPER COMP., L.	1		DE,E,ED,F,IT,ND,U,1G,2G
SEAL, PISTON (ADD 0.1 FOR EACH.)	0.4	6	45105-443-761	PAD COMP. (NISSHIN JB)	4		DE,E,ED,F,IT,ND,U,1G,2G
			45105-443-762	PAD COMP. (NISSHIN ASK)	4		DE,E,ED,F,IT,ND,U,1G,2G
		7	45107-MA3-006	PISTON	4		DE,E,ED,F,IT,ND,U,1G,2G
		8	45108-MA3-006	SPRING, PAD	2		DE,E,ED,F,IT,ND,U,1G,2G
		9	45109-166-006	DUST SEAL	4		DE,E,ED,F,IT,ND,U,1G,2G
		10	45110-443-763	BRACKET, L.	1		DE,E,ED,F,IT,ND,U,1G,2G
		11	45111-MA3-006	SLEEVE	2		DE,E,ED,F,IT,ND,U,1G,2G
		12	45131-MA3-006	BOLT, PIN	2		DE,E,ED,F,IT,ND,U,1G,2G
		13	45133-MA3-006	BOOT B	2		DE,E,ED,F,IT,ND,U,1G,2G

G 15

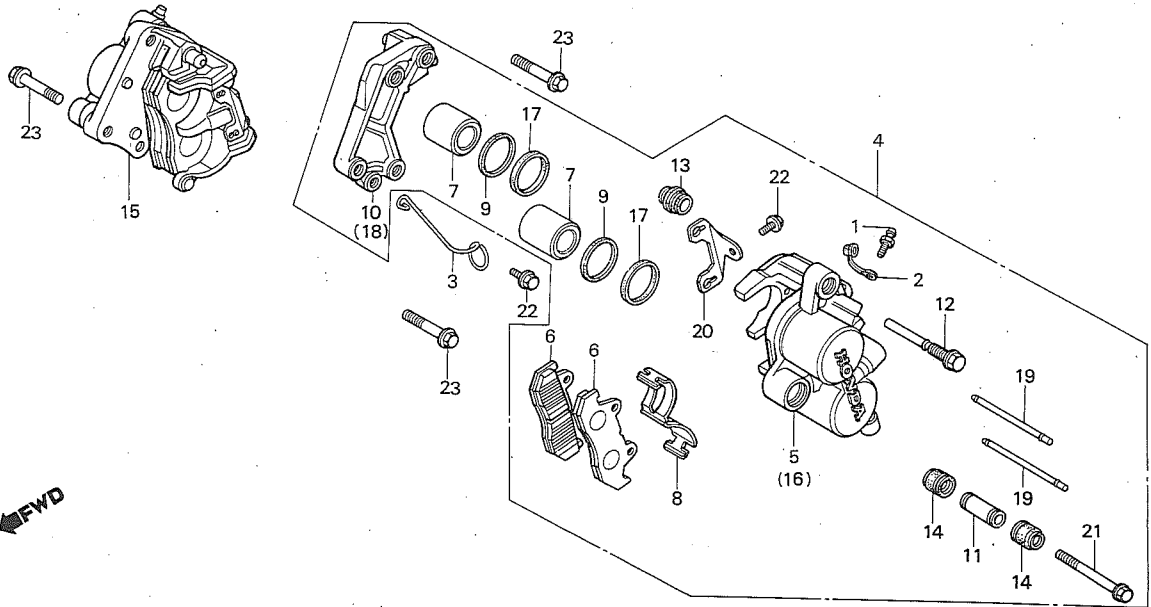
F-9-1

Front brake caliper
(CX500Cc-DE, E, ED, F, IT,
ND, F, IT, ND, U, 1G, 2G)

Etrier de frein avant
(CX500Cc-DE, E, ED, F, IT,
ND, U, 1G, 2G)

Vorderradbremssattel
(CX500Cc-DE, E, ED, F, IT,
ND, U, 1G, 2G)

Calibrador de freno delantero
(CX500Cc-DE, E, ED, F, IT,
ND, U, 1G, 2G)



BMA1-38

Service item	F.R.T.	Ref. No.	Part No.	Description	Reqd. No. CX500Cc	Serial No.	Area code
		14	45133-166-016	BOOT, PIN	4		DE,E,ED,F,IT,ND,U,1G,2G
		15	45200-MA1-771	CALIPER ASSY., R. FR. (NISSHIN JB)	1		DE,E,ED,F,IT,ND,U,1G,2G
			45200-MA1-772	CALIPER ASSY., R. FR. (NISSHIN ASK)	1		DE,E,ED,F,IT,ND,U,1G,2G
		16	45201-MA3-006	CALIPER COMP., R.	1		DE,E,ED,F,IT,ND,U,1G,2G
		17	45209-166-006	SEAL, PISTON	4		DE,E,ED,F,IT,ND,U,1G,2G
		18	45210-443-763	BRACKET, R.	1		DE,E,ED,F,IT,ND,U,1G,2G
		19	45215-MA3-006	PIN, HANGER	4		DE,E,ED,F,IT,ND,U,1G,2G
		20	45217-MA3-006	PLATE	2		DE,E,ED,F,IT,ND,U,1G,2G
		21	90180-MA3-006	BOLT, FLANGE, 8X49	2		DE,E,ED,F,IT,ND,U,1G,2G
		22	95700-06010-00	BOLT, FLANGE, 6X10	3		DE,E,ED,F,IT,ND,U,1G,2G
		23	95800-10032-00	BOLT, FLANGE, 10X32	4		DE,E,ED,F,IT,ND,U,1G,2G

G 16

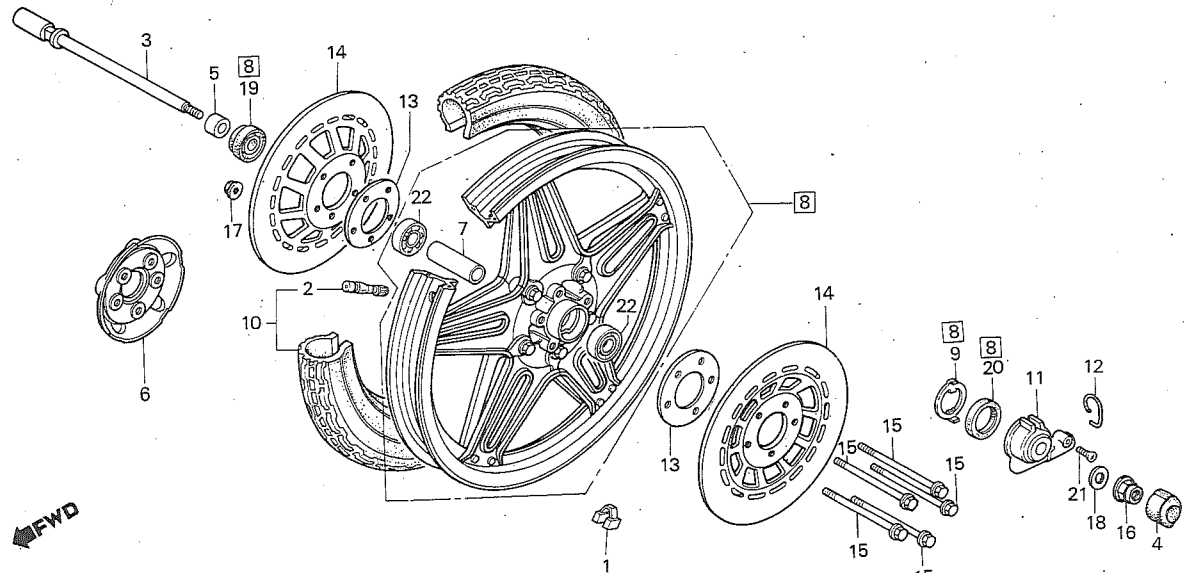
F-10

Front wheel · Disk

Roue avant · Disque

Vorderrad · Bremsscheibe

Rueda delantera · Disco



B415-85A

Service item	F.R.T.	Ref. No.	Part No.	Description	Reqd. No. CX500Cc	Serial No.	Area code
WEIGHT, BALANCE	0.8	1	42705-410-000	WEIGHT, BALANCE (20G)	1		
AXLE, FR. WHEEL	0.3		42706-410-000	WEIGHT, BALANCE (30G)	1		
BOX ASSY., SPEEDOMETER GEAR		2	42753-425-003	VALVE, RIM (BS)	1		
DUST SEAL, 40X50X5			42753-425-004	VALVE, RIM (DUNLOP)	1		
COVER, FR. WHEEL	0.4	3	44301-449-750	AXLE, FR. WHEEL	1		CM
DISK, FR. BRAKE			44301-MC0-670	AXLE, FR. WHEEL	1		DE, E, ED, F, IT, ND, U, 1G, 2G
COLLAR, FR. AXLE DISTANCE	0.6	4	44302-351-610	CAP, AXLE NUT	1		1G, 2G
BEARING, RADIAL BALL, 6302Z (ADD 0.1 FOR EACH.)		5	44311-413-000	COLLAR, FR. WHEEL	1		
WHEEL COMP., FR.	1.0	6	44607-449-000	COVER, FR. WHEEL	1		CM
TIRE ASSY., FR.	0.9	7	44620-286-000	COLLAR, FR. AXLE DISTANCE	1		
		8	44650-413-940	WHEEL COMP., FR.	1		CM
			44650-443-790	WHEEL COMP., FR.	1		DE, E, ED, F, IT, ND, U, 1G, 2G
		9	44680-410-000	RETAINER, GEAR BOX	1		
		10	44710-449-004	TIRE ASSY., FR. (3.50S19-4PR DUNLOP)	1		DE, E, ED, F, IT, ND, U, 1G, 2G
			44710-449-751	TIRE ASSY., FR. (3.50S19-4PR BS)	1		CM
			44710-449-752	TIRE ASSY., FR. (3.50S19-4PR DUNLOP)	1		CM

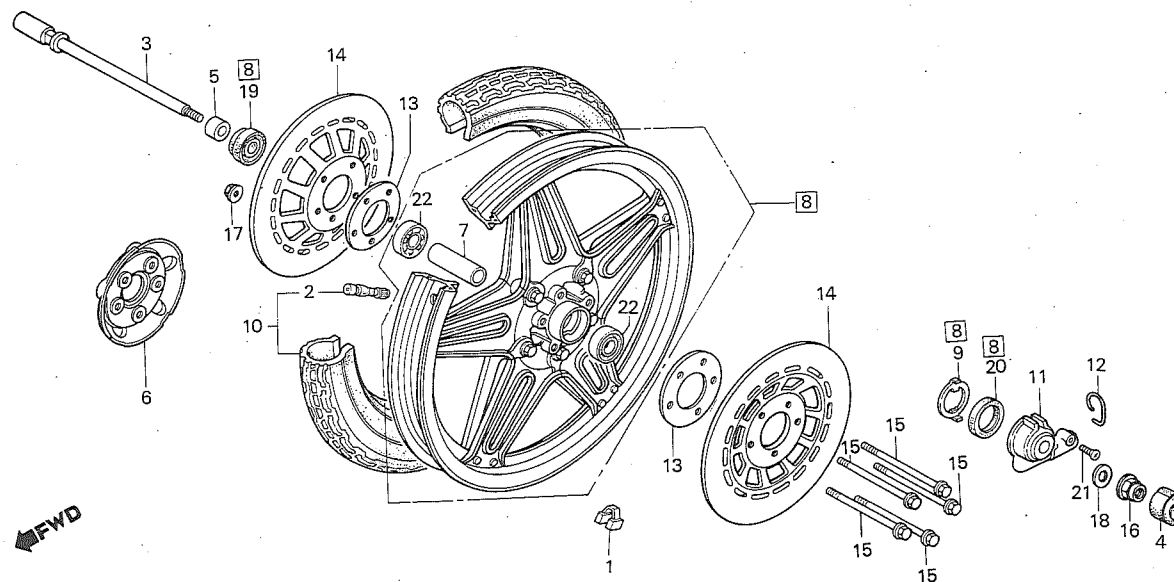
H 1**F-10**

Front wheel · Disk

Roue avant · Disque

Vorderrad · Bremsscheibe

Rueda delantera · Disco



B415-85A

Service item	F.R.T.	Ref. No.	Part No.	Description	Reqd. No. CX500Cc	Serial No.	Area code
			44710-460-661	TIRE ASSY., FR. (3.50S19-4PR BS)	1		DE,E,ED,F,IT,ND,U,1G,2G
		11	44800-449-003	BDX ASSY., SPEEDMETER GEAR	1		DE,E,ED,F,IT,ND,U,1G,2G
			44800-461-771	BDX ASSY., SPEEDMETER GEAR	1		CM
		12	44810-461-771	CLIP, SPEEDMETER CABLE	1		CM
		13	45128-445-630	SHIM, DAMPING	2		DE,E,ED,F,IT,ND,U,1G,2G
		14	45251-MA1-000	DISK, FR. BRAKE	1		CM
			45251-MA1-770	DISK, FR. BRAKE	2		DE,E,ED,F,IT,ND,U,1G,2G
		15	90155-443-761	BOLT, FLANGE, 8X94	5		DE,E,ED,F,IT,ND,U,1G,2G
			90155-449-750	BOLT, FLANGE, 8X90	5		CM
		16	90305-MA1-003	NUT, RR. AXLE U, 14MM	1		DE,E,ED,F,IT,ND,U,1G,2G
		17	90309-428-731	NUT, FLANGE, 8MM	5		
		18	90557-230-000	WASHER, 15.2X25	1		DE,E,ED,F,IT,ND,U,1G,2G
		19	91252-230-003	OIL SEAL, 26X42X7	1		



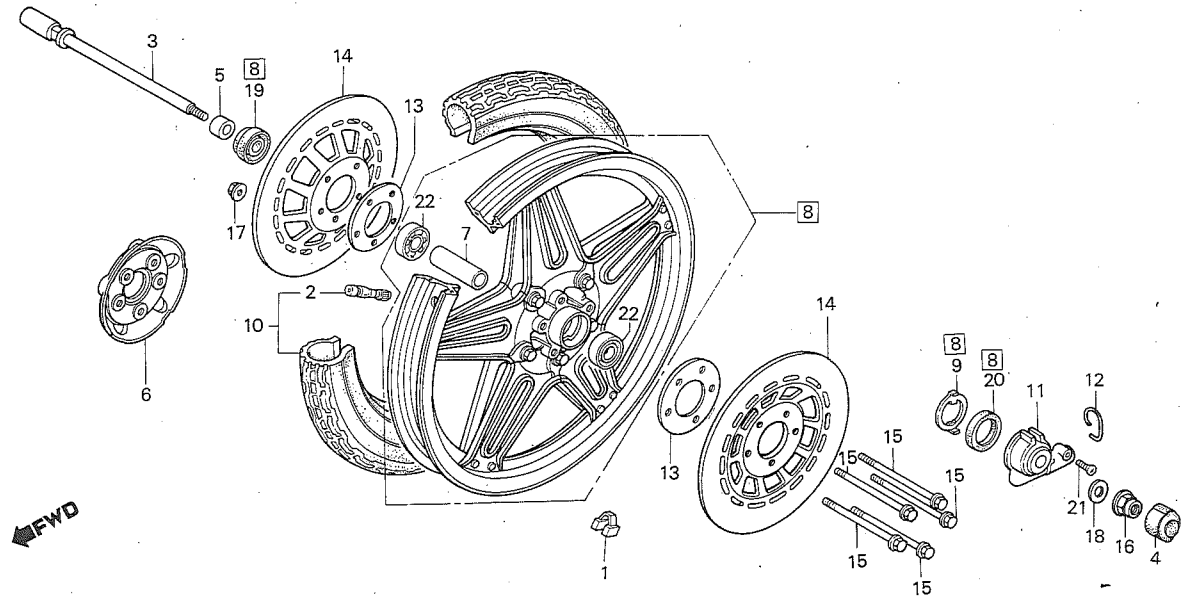
F-10

Front wheel · Disk

Roue avant · Disque

Vorderrad · Bremsscheibe

Rueda delantera · Disco



B415-85A

Service item	F.R.T.	Ref. No.	Part No.	Description	Reqd. No. CX500Cc	Serial No.	Area code
			91252-230-005	OIL SEAL, 26X42X7	1		
		20	91258-410-006	DUST SEAL, 40X50X5	1		
			91258-410-013	DUST SEAL, 40X50X5	1		
		21	93700-05016-0A	SCREW, OVAL, 5X16	1		DE,E,ED,F,IT,ND,U,1G,2G
		22	96120-63020-10	BEARING, RADIAL BALL, 6302Z	2		



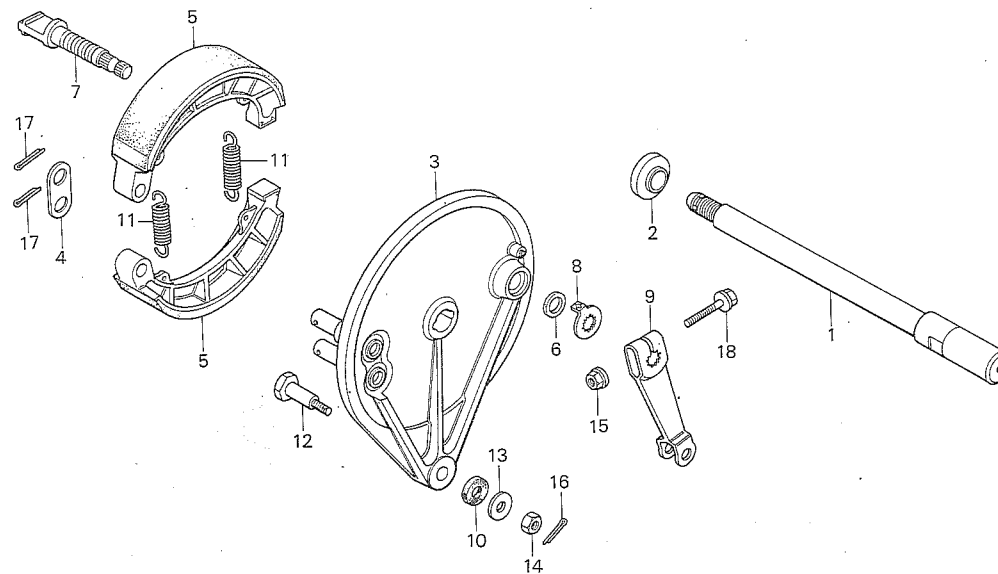
F-11

Rear brake panel

Plateau de frein arrière

Hinterradbremssankerplatte

Panel de freno trasero



B415-34

Service item	F.R.T.	Ref. No.	Part No.	Description	Reqd. No. CX500Cc	Serial No.	Area code
AXLE, RR. WHEEL	0.4	1	42301-449-840	AXLE, RR. WHEEL	1		
PANEL COMP., RR.	0.6	2	42311-415-000	COLLAR, RR. BRAKE PANEL SIDE	1		
INC. RELATIVE PART		3	43100-415-010	PANEL COMP., RR.	1		
SHOE COMP., RR. BRAKE		4	43102-319-000	WASHER, ANCHOR PIN	1		
(ONE OR ALL)		5	43120-415-000	SHOE COMP., RR. BRAKE	2		
ARM, RR. BRAKE	0.1	6	43134-300-000	DUST SEAL, BRAKE CAM	1		
		7	43141-415-000	CAM, RR. BRAKE	1		
		8	43145-415-000	INDICATOR, RR. BRAKE	1		
		9	43410-415-750	ARM, RR. BRAKE	1		
		10	43434-286-000	RUBBER, STOPPER ARM CUSHION	1		
		11	45133-329-000	SPRING, FR. BRAKE SHOE	2		
		12	90127-393-000	BOLT, RR. BRAKE STOPPER	1		
		13	90505-425-000	WASHER, 8MM	1		
		14	94001-08000-0S	NUT, HEX., 8MM	1		
		15	94050-08000	NUT, FLANGE, 8MM	1		



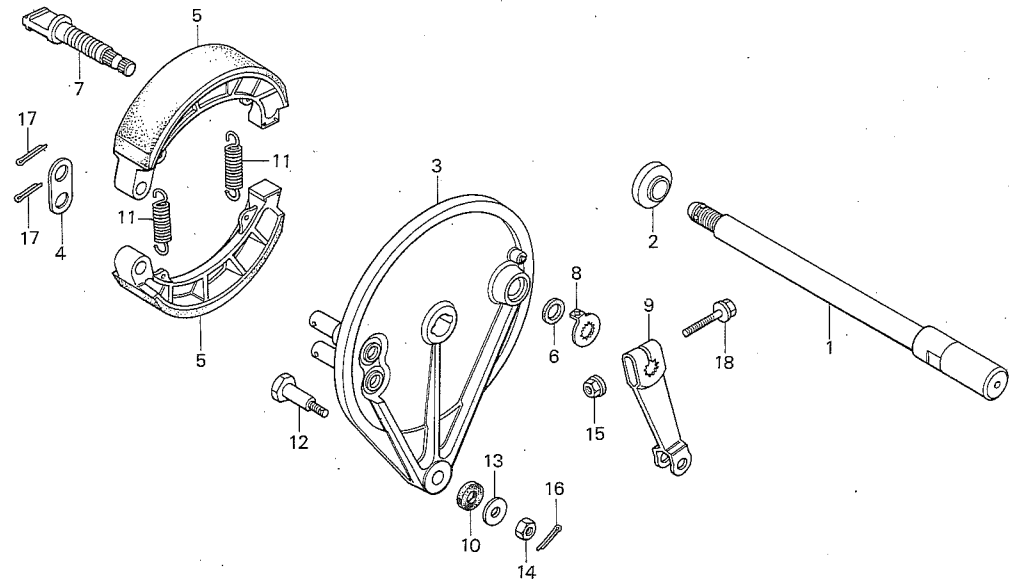
F-11

Rear brake panel

Plateau de frein arrière

Hinterradbremssankerplatte

Panel de freno trasero



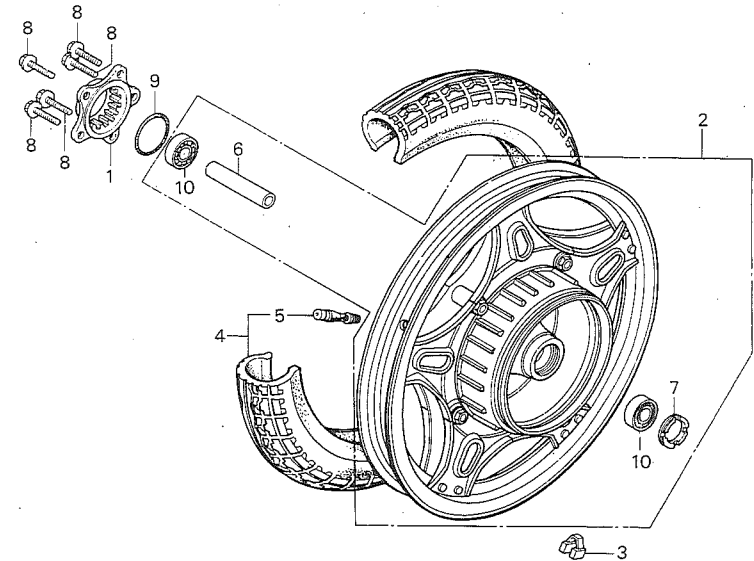
B415-34

Service item	F.R.T.	Ref. No.	Part No.	Description	Reqd. No. CX500Cc	Serial No.	Area code
		16	94201-20180	PIN, SPLIT, 2.0X18	1		
		17	94201-25200	PIN, SPLIT, 2.5X20	2		
		18	95700-08040-00	BOLT, FLANGE, 8X40	1		



F-12

Rear wheel
 Roue arrière
 Hinterrad
 Rueda trasera



B449-4A

Service item	F.R.T.	Ref. No.	Part No.	Description	Reqd. No. CX500Cc	Serial No.	Area code
FLANGE, FINAL DRIVEN	0.5	1	42610-415-000	FLANGE, FINAL DRIVEN	1		
RETAINER, FR. WHEEL BEARING		2	42650-449-611	WHEEL COMP., RR.	1		CM
WHEEL COMP., RR.	1.2		42650-462-305	WHEEL COMP., RR.	1		DE,E,ED,F,IT,ND,U,1G,2G
WEIGHT, BALANCE	0.9	3	42705-410-000	WEIGHT, BALANCE (20G)	N		
TIRE ASSY., RR.	1.1		42706-410-000	WEIGHT, BALANCE (30G)	N		
COLLAR, FR. WHEEL DISTANCE	0.6	4	42710-449-004	TIRE ASSY., RR.	1		DE,E,ED,F,IT,ND,U,1G,2G
BEARING, RADIAL BALL, 6302U (ADD 0.1 FOR EACH.)			42710-449-751	TIRE ASSY., RR. (130/90-16 67S DUNLOP)	1		CM
			42710-449-752	TIRE ASSY., RR. (130/90-16 67S BS)	1		CM
			42710-460-661	TIRE ASSY., RR. (130/90-16 67S DUNLOP)	1		DE,E,ED,F,IT,ND,U,1G,2G
				TIRE ASSY., RR. (130/90-16 67S BS)	1		
		5	42753-425-003	VALVE, RIM (BS)	1		
			42753-425-004	VALVE, RIM (DUNLOP)	1		
		6	44620-410-000	COLLAR, FR. WHEEL DISTANCE	1		
		7	44643-300-000	RETAINER, FR. WHEEL BEARING	1		
		8	90128-402-000	BOLT, FINAL SPROCKET	5		

H 6

F-12

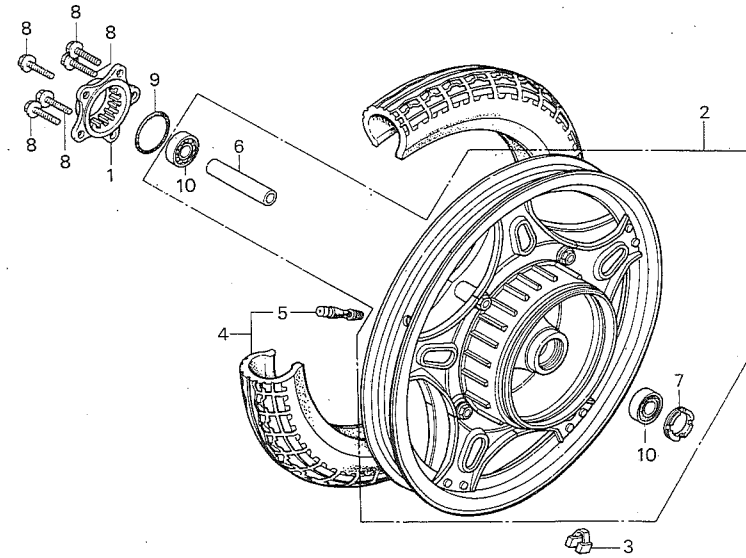
Rear wheel

Roue arrière

Hinterrad

Rueda trasera

← FWD



B449-4A

Service item	F.R.T.	Ref. No.	Part No.	Description	Reqd. No. CX500Cc	Serial No.	Area code
		9	91357-415-003	O-RING, 54.5X2.4	1		
		10	96140-63020-10	BEARING, RADIAL BALL, 6302U	2		



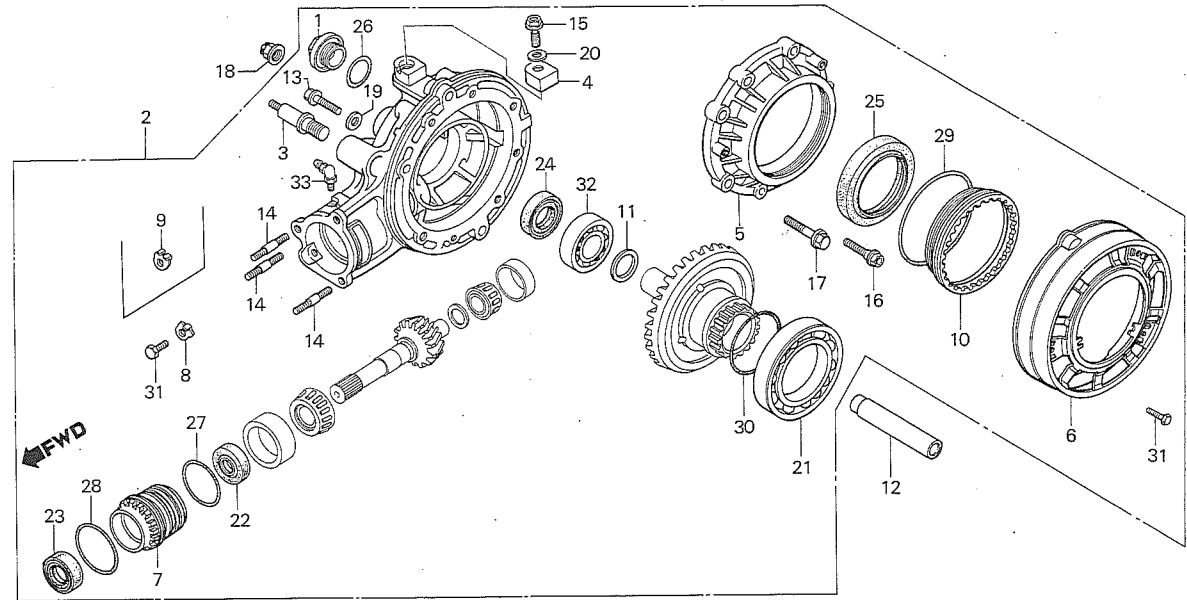
F-13

Final driven gear

Engrenages de réduction finale

Endabtriebsgetriebe

Engranaje mandado final



B415-36

Service item	F.R.T.	Ref. No.	Part No.	Description	Reqd. No. CX500Cc	Serial No.	Area code
GEAR ASSY., FINAL DRIVEN	0.5	1	12361-035-000	CAP, TAPPET ADJUSTING HOLE	1		
PLATE, DUST GUARD		2	41300-415-000	GEAR ASSY., FINAL DRIVEN	1		
COVER, L. GEAR CASE	0.9	3	41303-415-300	STAY, RR. CUSHION UNDER	1		
RETAINER B, BEARING		4	41306-415-000	CAP, BREATHER	1		
SHIM RING GEAR	0.7	5	41321-415-000	COVER, L. GEAR CASE	1		
OIL SEAL, 25X40X8							
OIL SEAL, 33X43X7							
RETAINER A, BEARING	0.6	6	41324-415-000	PLATE, DUST GUARD	1		
BOLT, STUD, 10X45		7	41331-415-000	RETAINER B, BEARING	1		
(ADD 0.1 FOR EACH.)		8	41332-415-000	LOCK A, BEARING ADJUSTING	1		
OIL SEAL, 70X90X8		9	41333-415-000	LOCK B, BEARING ADJUSTING	1		
BEARING, 6914		10	41351-371-000	RETAINER A, BEARING	1		
OIL SEAL, 30X47X7							
BEARING, RADIAL BALL, 6006	1.0	11	41510-415-000	SHIM A, RING GEAR (1.80)	1		
			41511-415-000	SHIM B, RING GEAR (1.84)	1		



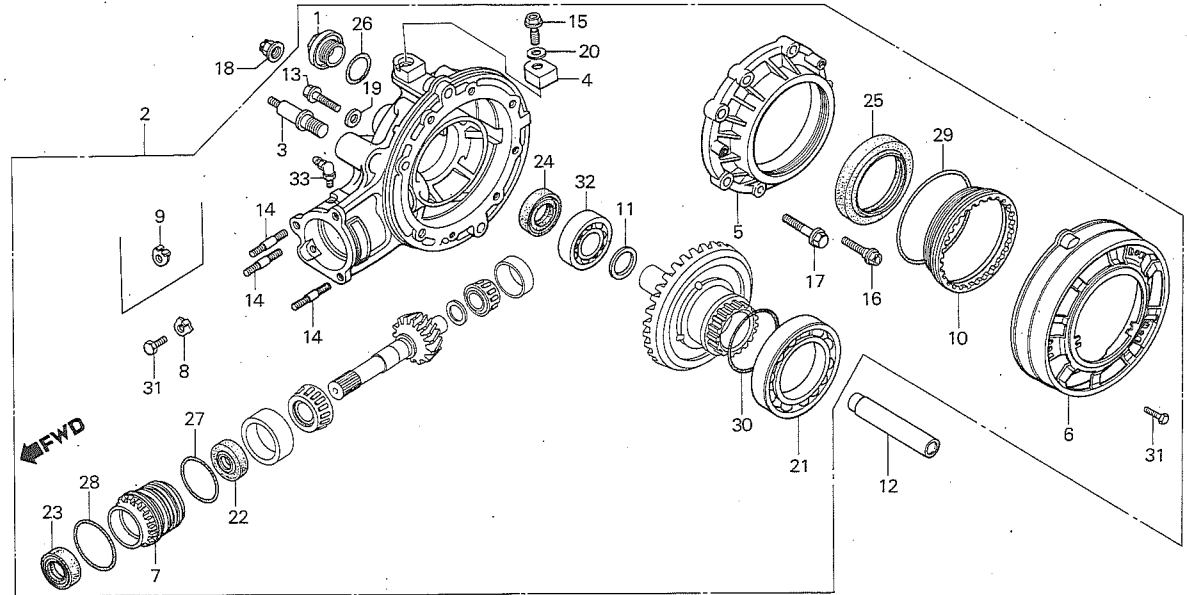
F-13

Final driven gear

Engrenages de réduction finale

Endantriebsgetriebe

Engranaje mandado final



B415-36

Service item	F.R.T.	Ref. No.	Part No.	Description	Reqd. No. CX500Cc	Serial No.	Area code
			41512-415-000	SHIM C, RING GEAR (1.88)	1		
			41513-415-000	SHIM D, RING GEAR (1.92)	1		
			41514-415-000	SHIM E, RING GEAR (1.96)	1		
			41515-415-000	SHIM F, RING GEAR (2.00)	1		
			41516-415-000	SHIM G, RING GEAR (2.04)	1		
			41517-415-000	SHIM H, RING GEAR (2.08)	1		
			41518-415-000	SHIM I, RING GEAR (2.12)	1		
			41519-415-000	SHIM J, RING GEAR (2.16)	1		
			41520-415-000	SHIM K, RING GEAR (2.20)	1		
			41521-415-000	SHIM L, RING GEAR (2.24)	1		



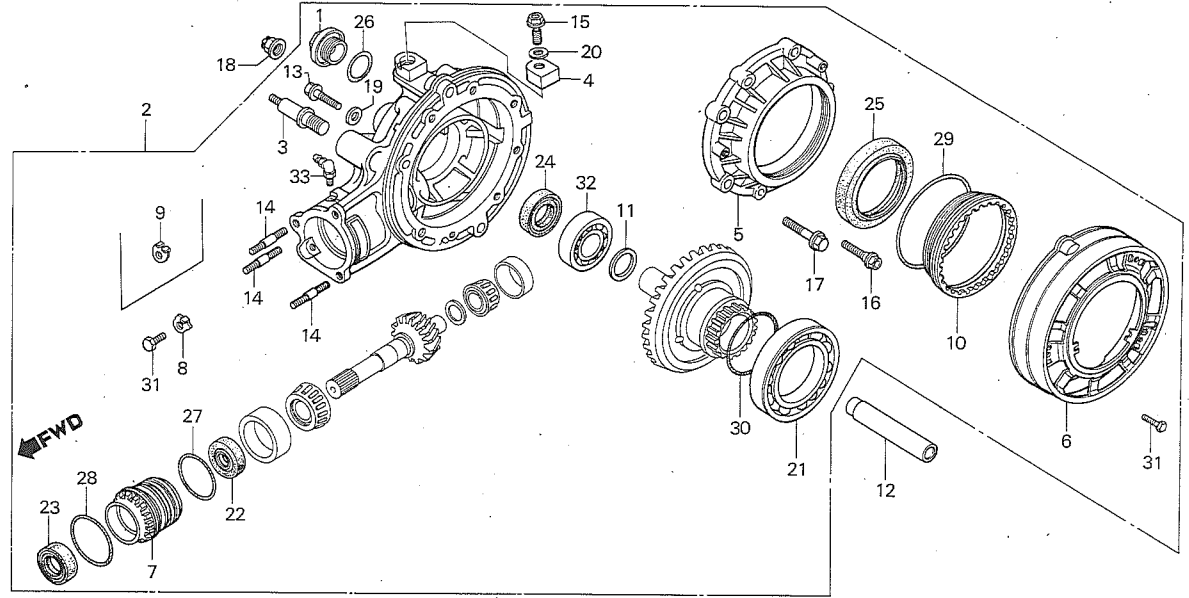
F-13

Final driven gear

Engrenages de réduction finale

Endabtriebsgetriebe

Engranaje mandado final



B415-36

Service item	F.R.T.	Ref. No.	Part No.	Description	Reqd. No. CX500Cc	Serial No.	Area code
			41522-415-000	SHIM M, RING GEAR (2.28)	1		
			41523-415-000	SHIM N, RING GEAR (2.32)	1		
		12	42623-415-000	COLLAR, RR. AXLE DISTANCE	1		
		13	90109-371-000	BOLT, SEALING, 8MM	1		
		14	90125-371-000	BOLT, STUD, 10X45	3		
		15	90126-415-000	BOLT, BREATHER	1		
		16	90133-371-000	BOLT, FLANGE, 8X32	6		
		17	90134-371-000	BOLT, FLANGE, 10X38	2		
		18	90305-MA1-003	NUT, RR. AXLE U, 14MM	1		
		19	90471-580-000	WASHER, 8MM	1		
		20	90545-300-000	WASHER, OIL BOLT	1		
		21	91051-371-003	BEARING, 6914 (TOYO)	1		
			91051-371-004	BEARING, 6914 (KOYO)	1		
			91051-371-005	BEARING, 6914 (NACHI)	1		
		22	91261-415-003	OIL SEAL, 25X40X8	1		

H 10

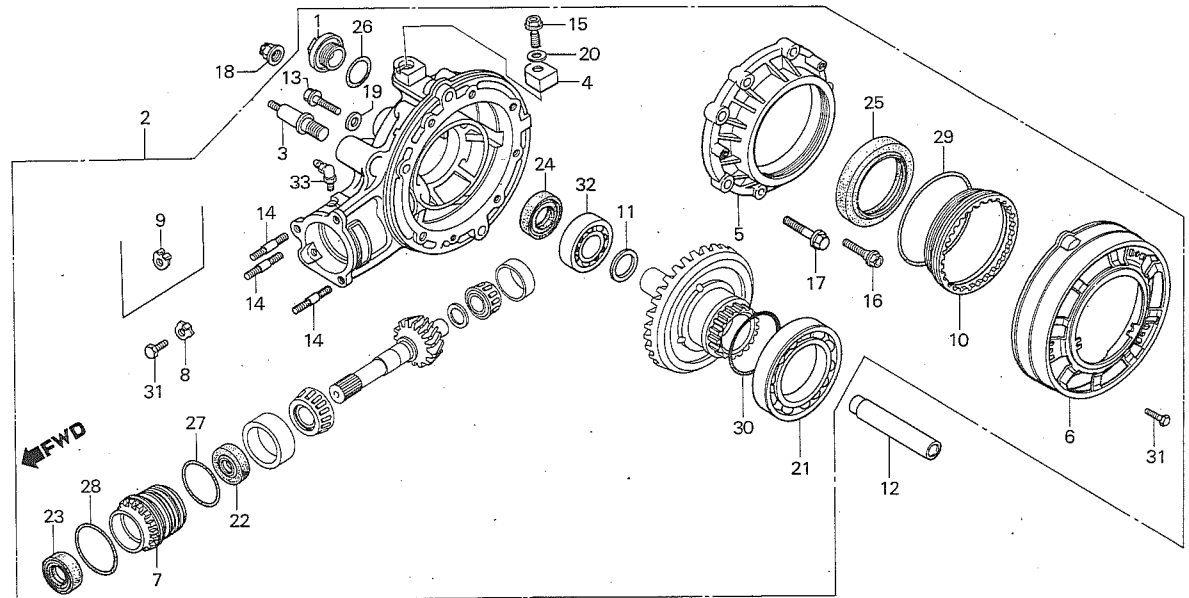
F-13

Final driven gear

Engrenages de réduction finale

Endabtriebsgetriebe

Engranaje mandado final



B415-36

Service item	F.R.T.	Ref. No.	Part No.	Description	Reqd. No. CX500Cc	Serial No.	Area code
		23	91262-415-003	OIL SEAL, 33X43X7	1		
		24	91264-415-003	OIL SEAL, 30X47X7	1		
		25	91265-371-003	OIL SEAL, 70X90X8	1		
		26	91302-001-020	O-RING, 30.8MM	1		
		27	91353-415-003	O-RING, 49.6X3.5	1		
			91353-415-004	O-RING, 49.6X3.5	1		
		28	91354-415-003	O-RING, 53.6X2.4	1		
		29	91355-371-003	O-RING, 96.5X2.0	1		
		30	91356-415-003	O-RING, 62.7X4	1		
		31	92000-06010	BOLT, HEX., 6X10	4		
		32	96100-60063-00	BEARING, RADIAL BALL, 6006	1		
		33	96201-80000	NIPPLE, GREASE, B.T6S	1		

H 11

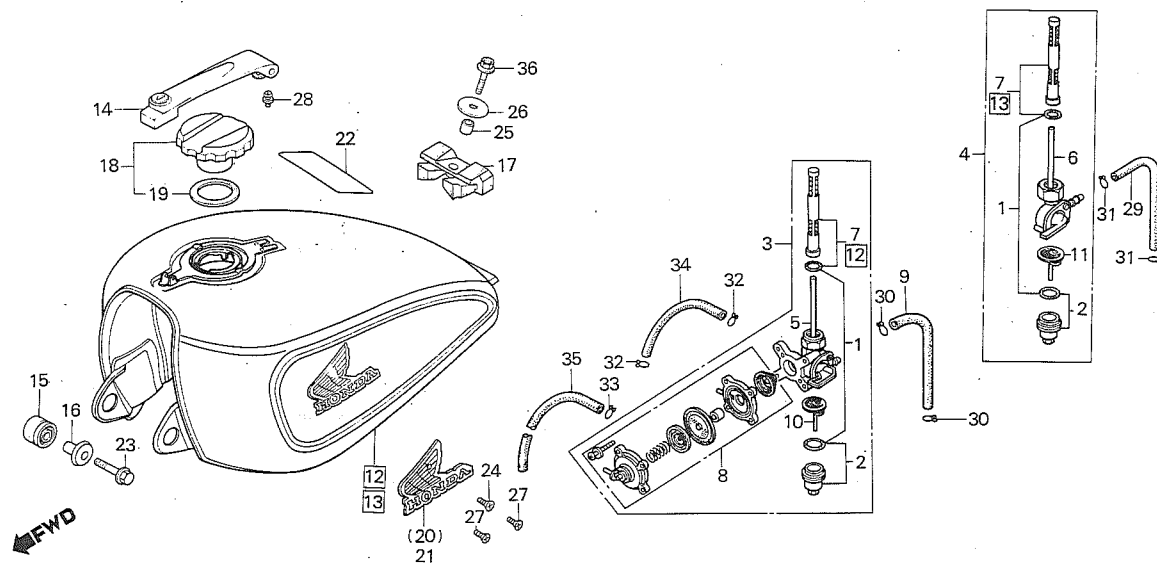
F-14

Fuel tank

Réservoir d'essence

Benzintank

Tanque de combustible



B449-14A

Service item	F.R.T.	Ref. No.	Part No.	Description	Reqd. No. CX500Cc	Serial No.	Area code
COCK ASSY., AUTO	0.2	1	16080-471-831	O-RING	1		
INC. RELATIVE PART		2	16081-471-831	CUP, FUEL STRAINER	1		
COCK ASSY., FUEL		3	16950-449-841	COCK ASSY., AUTO	1		CM
INC. RELATIVE PART		4	16950-471-831	COCK ASSY., FUEL	1		DE,E,ED,F,IT,ND,U,1G,2G
COVER SET, COCK		5	16951-MA1-731	BODY COMP., COCK	1		CM
TANK SET, FUEL	0.4	6	16951-471-831	BODY COMP., COCK	1		DE,E,ED,F,IT,ND,U,1G,2G
LID COMP., FUEL TANK	0.1	7	16952-449-751	SCREEN SET, FUEL STRAINER	1		
		8	16953-449-751	COVER SET, COCK	1		CM
		9	16956-449-750	TUBE, FUEL	1		CM
		10	16959-461-751	CUP, FILTER	1		CM
		11	16959-471-831	CUP, FILTER	1		DE,E,ED,F,IT,ND,U,1G,2G
		12	175A1-449-840ZA	TANK SET, FUEL *R-104C-U*	1		CM
			175A1-449-840ZB	TANK SET, FUEL *B-100M-U*	1		CM
		13	175A1-449-860ZA	TANK SET, FUEL *R-107C-U*	1		DE,E,ED,F,IT,ND,U,1G,2G

H 12

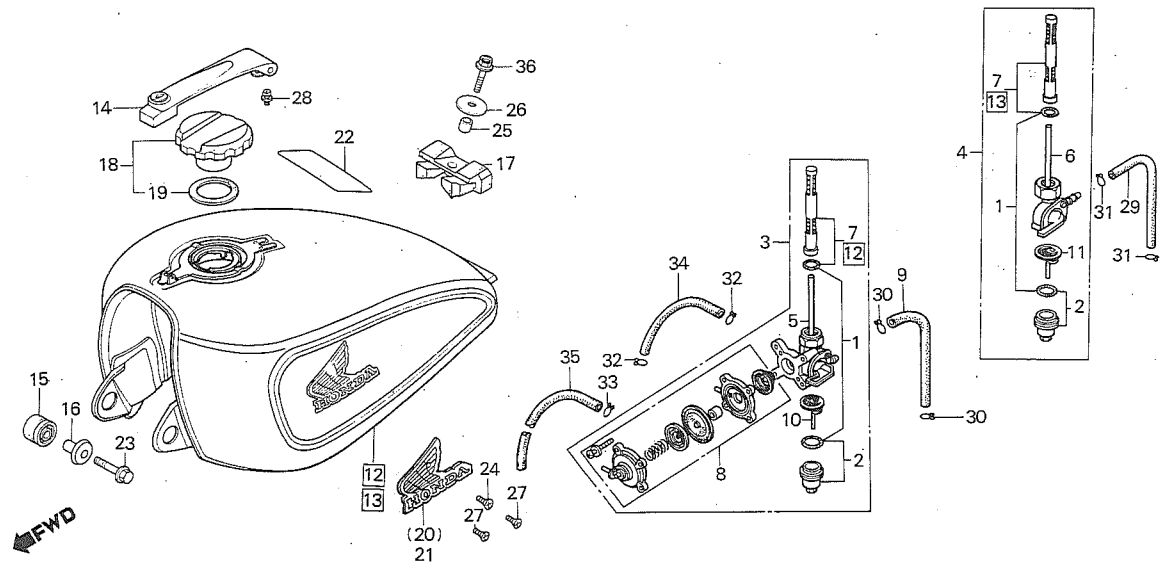
F-14

Fuel tank

Réservoir d'essence

Benzintank

Tanque de combustible



B449-14A

Service item	F.R.T.	Ref. No.	Part No.	Description	Reqd. No. CX500Cc	Serial No.	Area code
			175A1-449-860ZB	TANK SET, FUEL *PB-110C-U*	1		DE,E,ED,F,IT,ND,U,1G,2G
		14	17530-422-017	LID COMP., FUEL TANK	1		
		15	17611-449-010	CUSHION, FUEL TANK FR.	2		
		16	17612-449-000	COLLAR, TANK FR. MOUNTING	2		
		17	17613-449-010	CUSHION, FUEL TANK RR.	1		
		18	17620-469-000	CAP COMP., FUEL FILLER	1		
		19	17632-469-000	PACKING, FUEL FILLER CAP	1		
		20	87121-449-830	EMBLEM, R. FUEL TANK	1		DE,E,ED,F,IT,ND,U,1G,2G
		21	87122-449-830	EMBLEM, L. FUEL TANK	1		DE,E,ED,F,IT,ND,U,1G,2G

H 13

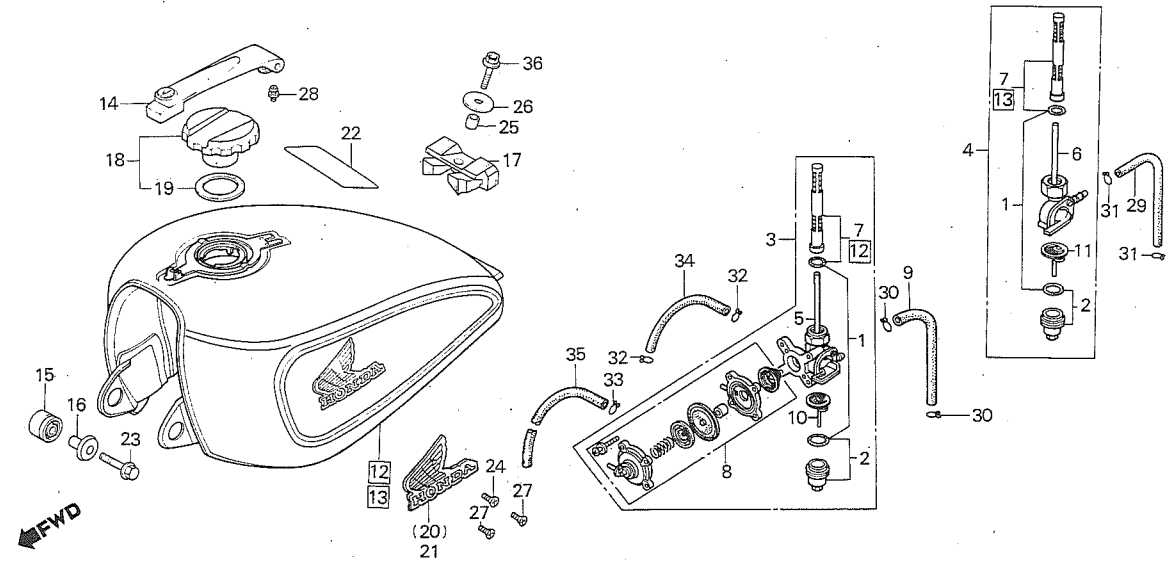
F-14

Fuel tank

Réservoir d'essence

Benzintank

Tanque de combustible



B449-14A

Service item	F.R.T.	Ref. No.	Part No.	Description	Reqd. No. CX500Cc	Serial No.	Area code
		22	87560-181-760ZB	MARK, DRIVE CAUTION *NH-0*	1		CM,DE,E,ED,IT,ND,U,1G,2G
			87560-463-830ZB	MARK, DRIVE CAUTION *NH-0*	1		F
		23	90111-362-000	BOLT, FLANGE, 8X36	2		
		24	90140-460-000	SCREW, OVAL, 3X6	2		DE,E,ED,F,IT,ND,U,1G,2G
		25	90324-300-000	COLLAR, 8MM	1		
		26	90534-011-000	WASHER, 8.3MM	1		
		27	93700-03006-0G	SCREW, OVAL, 3X6	4		DE,E,ED,F,IT,ND,U,1G,2G
		28	93892-04006	SCREW-WASHER, 4X6	2		
		29	95001-55190-40	TUBE, FUEL, 5.3X190	1		DE,E,ED,F,IT,ND,U,1G,2G
		30	95002-02070	CLIP B7, TUBE	2		CM
		31	95002-02100	CLIP B10, TUBE	2		DE,E,ED,F,IT,ND,U,1G,2G
		32	95002-02120	CLIP B12, TUBE	2		CM
		33	95002-35000	CLIP C6.5, TUBE	1		CM
		34	95005-35240-20	TUBE, 3.5X240	1		CM
		35	95005-35800-30	TUBE, 3.5X800	1		CM
		36	95700-08028-08	BOLT, FLANGE, 8X28	1		

H 14

F-15

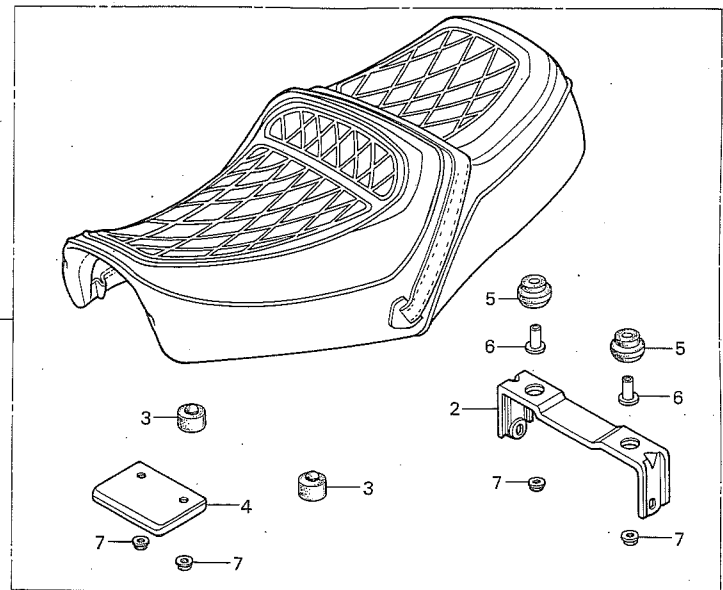
Seat

Siege

Sitz

Asiento

← FWD



B415-76A

Service item	F.R.T.	Ref. No.	Part No.	Description	Reqd. No. CX500Cc	Serial No.	Area code	
SEAT COMP., DOUBLE INC. RELATIVE PART	0.1	1	77200-449-830	SEAT COMP., DOUBLE	1		DE,E,ED,F,IT,ND,U,1G,2G	
			77200-449-840	SEAT COMP., DOUBLE	1		CM	
		2	77202-449-000	PLATE, SEAT SETTING	1			
		3	77206-329-000	RUBBER B, SEAT SETTING	2			
		4	77206-413-000	STAY, FR. SEAT	1			
		5	77206-415-000	RUBBER, SEAT MOUNTING	2			
		6	77207-415-000	COLLAR, SEAT SETTING	2			
		7	94050-06080	NUT, FLANGE, 6MM	4			
		8	95700-08014-07	BOLT, FLANGE, 8X14	2			



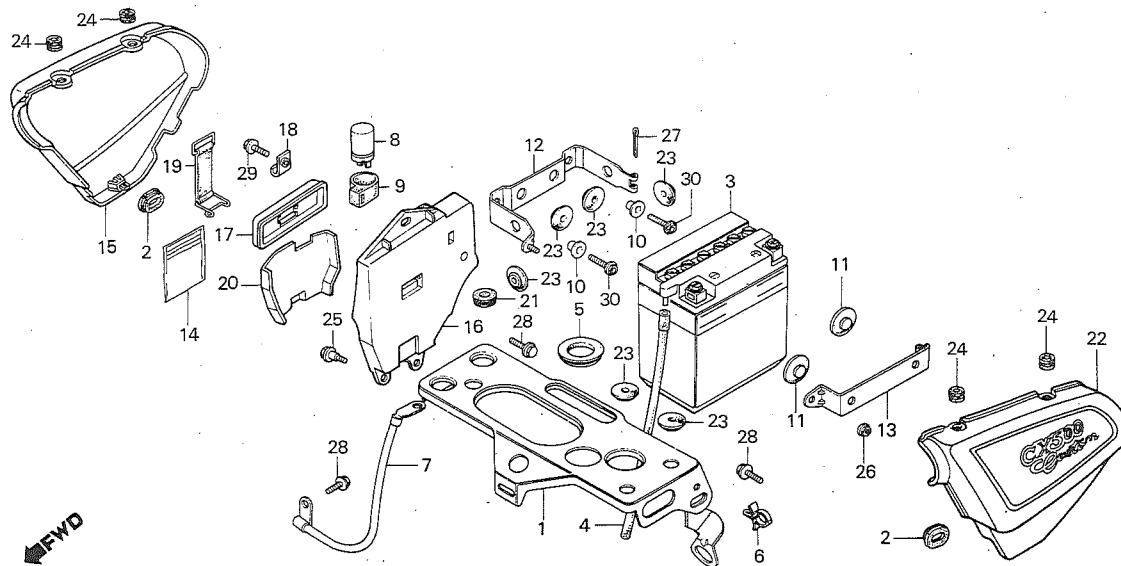
F-16

Side cover · Battery

Couvercle latéral · Batterie

Seitendeckel · Batterie

Cubierta lateral · Batería



B415-86A

Service item	F.R.T.	Ref. No.	Part No.	Description	Reqd. No. CX500Cc	Serial No.	Area code
PLATE, AIR CLEANER HOLDER	1.2	1	17215-449-000	PLATE, AIR CLEANER HOLDER	1		
BATTERY	0.1	2	17247-303-000	GROMMET A, AIR CLEANER CASE	2		
RELAY COMP., WINKER		3	31500-461-780	BATTERY (12V14)	1		
BAND B, BATTERY		4	31502-KA8-600	TUBE, BATTERY BREATHER	1		
COVER COMP., R. SIDE		5	32112-611-000	GROMMET, WIRE CORD	1		
BOX, TOOL							
COVER COMP., L. SIDE		6	32175-647-920	CLIP, WIRE HARNESS	1		
CABLE, EARTH	0.3	7	32601-415-000	CABLE, EARTH	1		
BAND A, BATTERY	0.2	8	38301-404-611	RELAY COMP., WINKER (ND)	1		1G,2G
			38301-404-612	RELAY COMP., WINKER (MITSUBA)	1		1G,2G
			38301-415-004	RELAY COMP., WINKER (MITSUBA)	1		CM,DE,E,ED,F,IT,ND,U
			38301-415-671	RELAY COMP., WINKER (ND)	1		CM
		9	38306-292-000	SUSPENSION, WINKER RELAY	1		CM,DE,E,ED,F,IT,ND,U

H 16

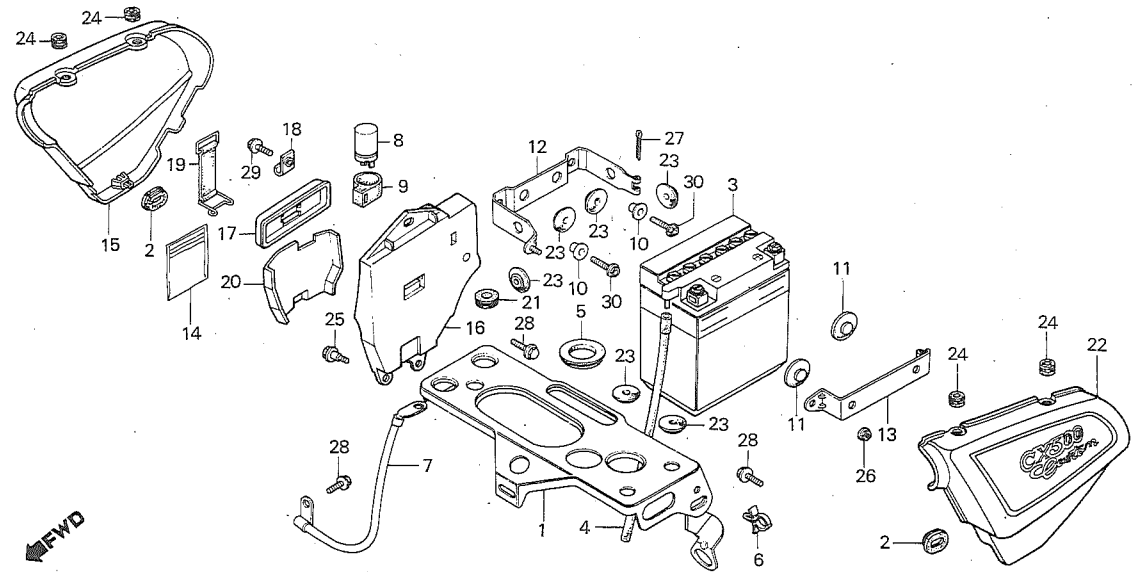
F-16

Side cover · Battery

Couvercle latéral · Batterie

Seitendeckel · Batterie

Cubierta lateral · Batería



B415-86A

Service item	F.R.T.	Ref. No.	Part No.	Description	Reqd. No. CX500Cc	Serial No.	Area code
		10	38306-405-612	SUSPENSION, WINKER RELAY (ND)	1		1G,2G
			40514-147-000	COLLAR, CHAIN CASE	2		
		11	50327-300-010	RUBBER B, BATTERY	2		
		12	50327-449-830	BAND A, BATTERY	1		
		13	50328-415-000	BAND B, BATTERY	1		
		14	77251-342-000	BAG, SERVICE BOOK	1		
		15	835A0-449-840ZA	COVER COMP., R. SIDE	1		CM
				R-104C-U			
			835A0-449-840ZB	COVER COMP., R. SIDE	1		CM
				B-100M-U			
			835A0-449-860ZA	COVER COMP., R. SIDE	1		DE,E,ED,F,IT,ND,U,1G,2G
				R-107C-U			
			835A0-449-860ZB	COVER COMP., R. SIDE	1		DE,E,ED,F,IT,ND,U,1G,2G
				PB-110C-U			
		16	83501-449-000	BOX, TOOL	1		
		17	83502-449-000	COVER, TOOL BOX	1		



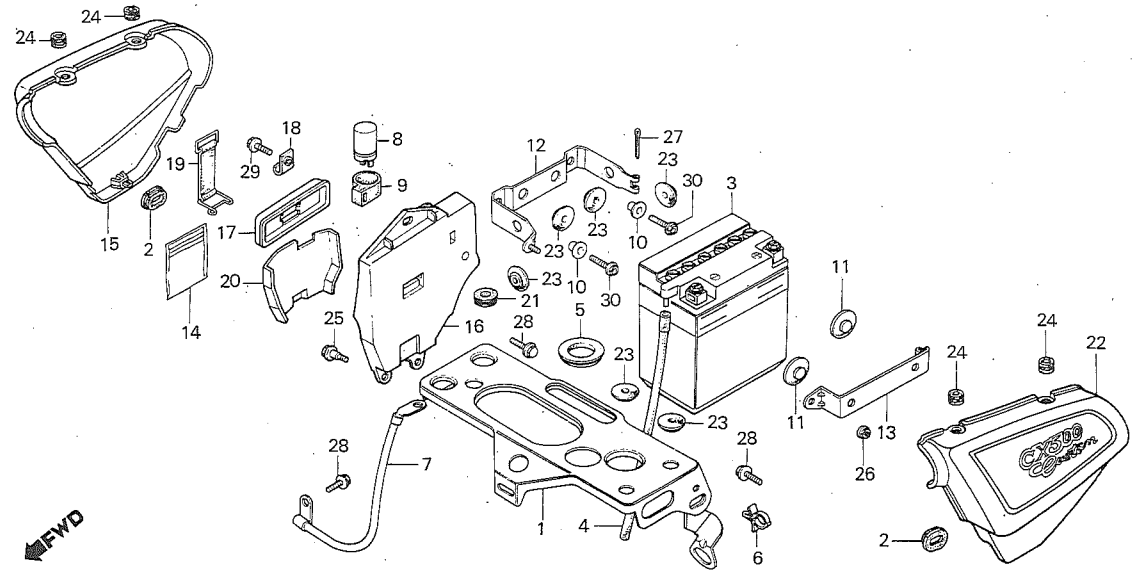
F-16

Side cover · Battery

Couvercle latéral · Batterie

Seitendeckel · Batterie

Cubierta lateral · Batería



B415-86A

Service item	F.R.T.	Ref. No.	Part No.	Description	Reqd. No. CX500Cc	Serial No.	Area code
		18	83503-449-000	PLATE, TOOL SETTING	1		
		19	83504-449-000	BAND, TOOL SETTING	1		
		20	83505-449-000	COVER B, TOOL BOX	1		
		21	83551-385-000	GROMMET, SIDE COVER	1		
		22	836A0-449-840ZA	COVER COMP., L. SIDE	1		CM
			836A0-449-840ZB	COVER COMP., L. SIDE *R-104C-U*	1		CM
			836A0-449-860ZA	COVER COMP., L. SIDE *B-100M-U*	1		DE,E,ED,F,IT,ND,U,1G,2G
			836A0-449-860ZB	COVER COMP., L. SIDE *R-107C-U*	1		DE,E,ED,F,IT,ND,U,1G,2G
				PB-110C-U	1		
		23	83618-323-000	RUBBER, BATTERY BOX	6		
		24	83705-413-000	GROMMET, SIDE COVER SETTING	4		
		25	90111-162-000	BDLT, FLANGE, 6MM	2		
		26	94050-06080	NUT, FLANGE, 6MM	1		

12

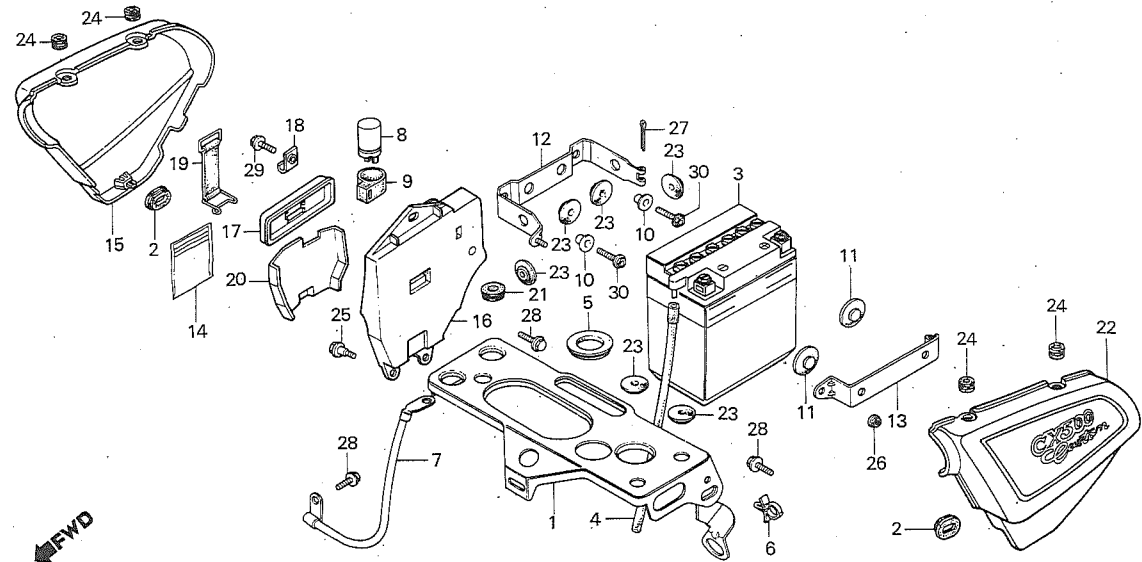
F-16

Side cover · Battery

Couvercle latéral · Batterie

Seitendeckel · Batterie

Cubierta lateral · Batería



B415-86A

Service item	F.R.T.	Ref. No.	Part No.	Description	Reqd. No. CX500Cc	Serial No.	Area code
		27	94201-30400	PIN, SPLIT, 3.0X40	1		
		28	95700-06012-00	BOLT, FLANGE, 6X12	3		
		29	95700-06016-00	BOLT, FLANGE, 6X16	1		
		30	95700-06020-08	BOLT, FLANGE, 6X20	2		

I 3

F-17

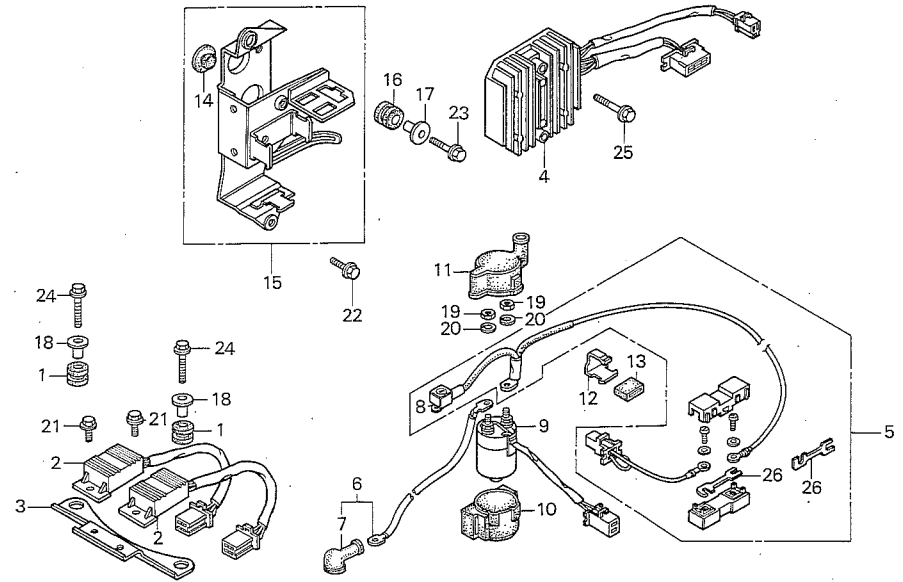
Electric plate · Spark unit

Plaque électrique · Unite d'allumage

Elektrische Platte · Zuendeinheit

Placa electrica · Unidad de encendido

←FWD



B415-40D

Service item	F.R.T.	Ref. No.	Part No.	Description	Reqd. No. CX500Cc	Serial No.	Area code
SPARK UNIT (ADD 0.1 FOR EACH.)	0.3	1	17245-107-010	RUBBER, AIR CLEANER CASE MOUNTING	2		
RECTIFIER ASSY., REGULATOR		2	30400-461-155	SPARK UNIT (NEC)	2		
CABLE, STARTER BATTERY	0.1	3	30406-449-830	STAY, SPARK UNIT	1		
CABLE, STARTING MOTOR	0.2	4	31600-449-831	RECTIFIER ASSY., REGULATOR (SHINDENGEN)	1		
SWITCH ASSY., STARTER MAGNETIC		5	32401-449-830	CABLE, STARTER BATTERY	1		
PLATE, ELECTRIC		6	32410-415-000	CABLE, STARTING MOTOR	1		
		7	32411-253-000	COVER, STARTING MOTOR TERMINAL	1		
		8	32414-425-000	COVER B, TERMINAL	1		
		9	35850-415-007	SWITCH ASSY., STARTER MAGNETIC (HONDA LOCK)	1		
		10	35856-413-000	RUBBER, MAGNETIC SHOCK	1		
		11	35857-415-000	COVER, MAGNETIC SWITCH	1		
		12	38254-422-000	STAY, MAIN FUSE	1		
		13	38260-422-000	HOLDER, FUSE STAY	1		

I 4

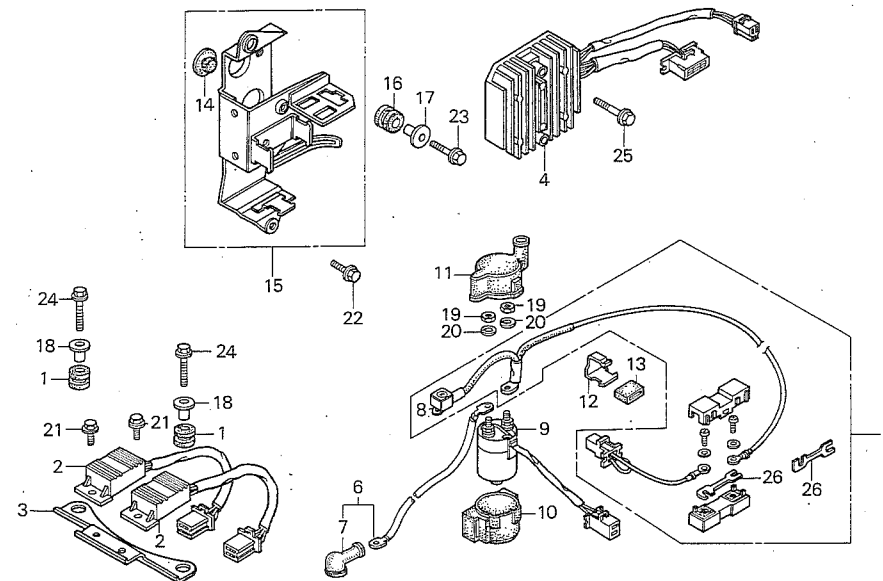
F-17

Electric plate · Spark unit

Plaque électrique · Unite d'allumage

Elektrische Platte · Zuendeinheit

Placa electrica · Unidad de encendido



B415-40D

Service item	F.R.T.	Ref. No.	Part No.	Description	Reqd. No. CX500Cc	Serial No.	Area code
		14	50327-300-010	RUBBER B, BATTERY	1		
		15	50340-449-830	PLATE, ELECTRIC	1		
		16	61103-357-000	RUBBER, FR. FENDER MOUNTING	1		
		17	61104-357-000	COLLAR, FR. FENDER	1		
		18	61104-428-000	COLLAR, FR. FENDER	2		
		19	94002-06080	NUT, HEX., 6MM	2		
		20	94111-06800	WASHER, SPRING, 6MM	2		
		21	95700-06012-08	BOLT, FLANGE, 6X12	2		
		22	95700-06014-08	BOLT, FLANGE, 6X14	1		
		23	95700-06020-00	BOLT, FLANGE, 6X20	1		
		24	95700-06022-00	BOLT, FLANGE, 6X22	2		
		25	95700-06035-08	BOLT, FLANGE, 6X35	2		
		26	98200-53000	FUSÉ F (30A)	2		

I 5

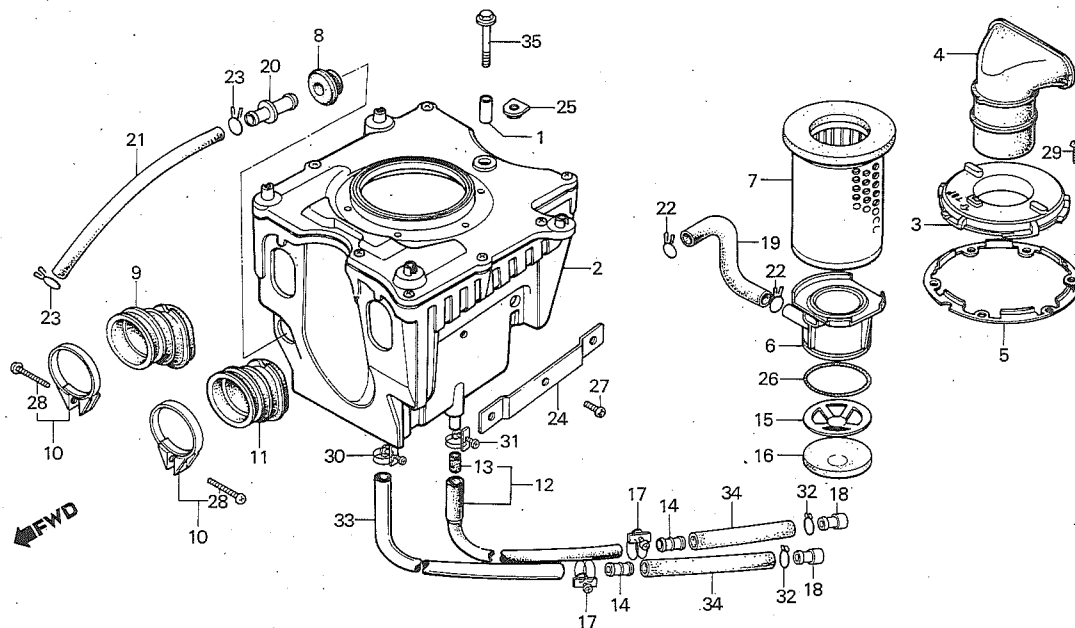
F-18

Air cleaner

Filtre à air

Luftfilter

Limpiador de aire



B415-66A

Service item	F.R.T.	Ref. No.	Part No.	Description	Reqd. No. CX500Cc	Serial No.	Area code
CASE COMP., AIR CLEANER	1.5	1	17202-415-000	COLLAR, AIR CLEANER BRACKET	1		
ELEMENT, AIR CLEANER	0.1	2	17205-415-000	CASE COMP., AIR CLEANER	1		
ELEMENT, SEPARATOR		3	17212-415-000	CAP, AIR CLEANER ELEMENT	1		
INC. RELATIVE PART		4	17213-415-000	TUBE, AIR CLEANER DUCT	1		
TUBE, AIR CLEANER CONNECTING	0.4	5	17214-415-300	HOLDER, CAP	1		
(ADD 0.2 FOR EACH.)		6	17217-415-000	HOLDER, ELEMENT	1		
		7	17220-415-003	ELEMENT, AIR CLEANER	1		
		8	17225-415-300	GROMMET, TUBE	1		
		9	17254-415-300	TUBE, R. AIR CLEANER	1		
		10	17256-358-000	BAND B, AIR CLEANER CONNECTING TUBE	2		
		11	17264-415-300	TUBE, L. AIR CLEANER CONNECTING	1		

I 6

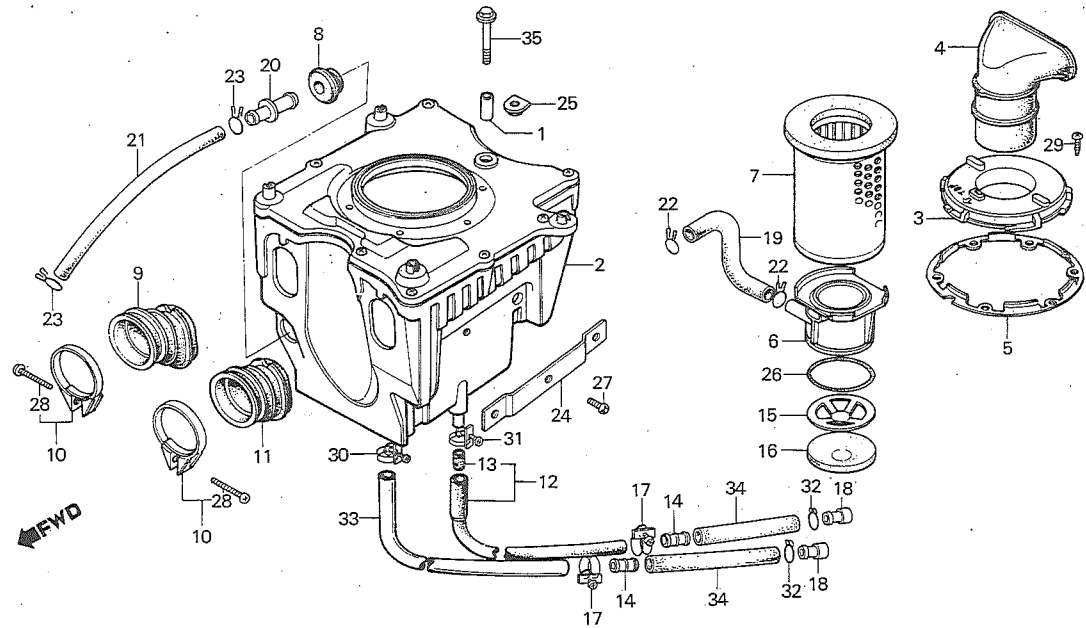
F-18

Air cleaner

Filtre à air

Luftfilter

Limpiador de aire



B415-66A

Service item	F.R.T.	Ref. No.	Part No.	Description	Reqd. No. CX500Cc	Serial No.	Area code
		12	17335-415-670	TUBE ASSY., BREATHER	1		
		13	17337-323-300	FILTER	1		
		14	17359-419-670	JOINT, BREATHER TUBE	2		
		15	17363-415-000	SEPARATOR A	1		
		16	17364-415-000	ELEMENT, SEPARATOR	1		
		17	17369-419-670	CLIP A13.5, TUBE	2		
		18	17370-419-700	PLUG, BREATHER TUBE	2		
		19	17400-415-000	TUBE, BREATHER	1		
		20	17402-415-000	JOINT, BREATHER TUBE	1		
		21	17403-449-830	TUBE, AIR CLEANER BREATHER	1		
		22	17724-102-700	CLIP, SUB TANK HOSE	2		
		23	18534-634-670	CLIP, AIR HOSE, 16	2		
		24	50326-415-000	PLATE, BATTERY BAND SUPPORT	1		

I 7

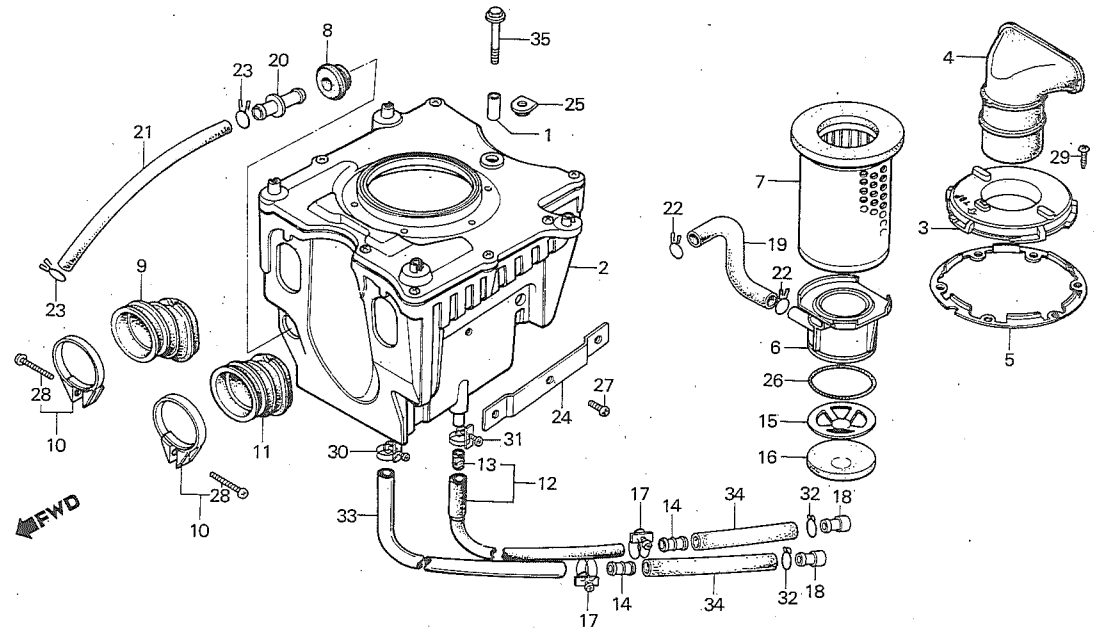
F-18

Air cleaner

Filtre à air

Luftfilter

Limpiador de aire



B415-66A

Service item	F.R.T.	Ref. No.	Part No.	Description	Reqd. No. CX500Cc	Serial No.	Area code
		25	80504-415-610	PATCH, RR. COWL	1		
		26	91355-415-000	O-RING, 63.5X2.0	1		
		27	93500-04008-0A	SCREW, PAN, 4X8	1		
		28	93500-04020-0A	SCREW, PAN, 4X20	2		
		29	93901-34120	SCREW, TAPPING, 4X8	6		
		30	95002-01120	CLIP A12, TUBE	1		
		31	95002-01150	CLIP A15, TUBE	1		
		32	95002-02130	CLIP B12.5, TUBE	2		
		33	95003-23012-31	TUBE, VINYL, 8X12X120	1		
		34	95005-80160-20	TUBE, 8X160	2		
		35	95700-06035-00	BOLT, FLANGE, 6X35	1		

I 8

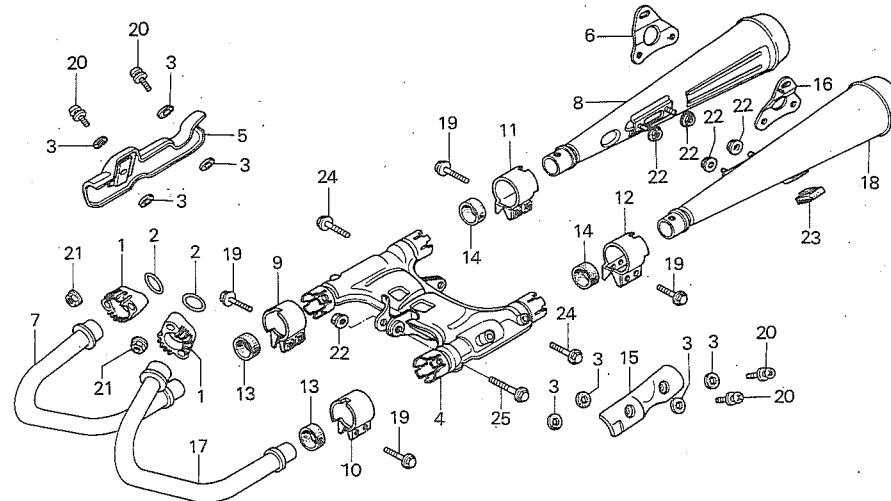
F-19

Exhaust muffler

Pot d'échappement

Auspufftopf

Silenciador



B449-19

Service item	F.R.T.	Ref. No.	Part No.	Description	Reqd. No. CX500Cc	Serial No.	Area code
PRE CHAMBER COMP.	0.4	1	18231-415-000	JOINT, EX. PIPE	2		
PROTECTOR, R. CHAMBER	0.1	2	18291-286-000	GASKET, EX. PIPE	2		
PIPE, R. EX.		3	18292-415-000	PACKING, PROTECTOR	8		
MUFFLER COMP., R.		4	18310-449-610	PRE CHAMBER COMP.	1		
PIPE, L. EX.		5	18315-449-000	PROTECTOR, R. CHAMBER	1		
MUFFLER COMP., L.		6	18318-449-000	STAY, R. MUFFLER	1		
		7	18320-449-000	PIPE, R. EX.	1		CM,DE,E,ED,F,IT,ND,U
			18320-449-610	PIPE, R. EX.	1		1G
			18320-449-780	PIPE, R. EX.	1		2G
		8	18330-449-020	MUFFLER COMP., R.	1		DE,ED,ND
			18330-449-672	MUFFLER COMP., R.	1		CM,E,F,IT,U,1G,2G
		9	18373-449-000	BAND, R. FR. MUFFLER	1		
		10	18374-449-000	BAND, L. FR. MUFFLER	1		
		11	18375-449-000	BAND, R. RR. MUFFLER	1		
		12	18376-449-000	BAND, L. RR. MUFFLER	1		

I 9

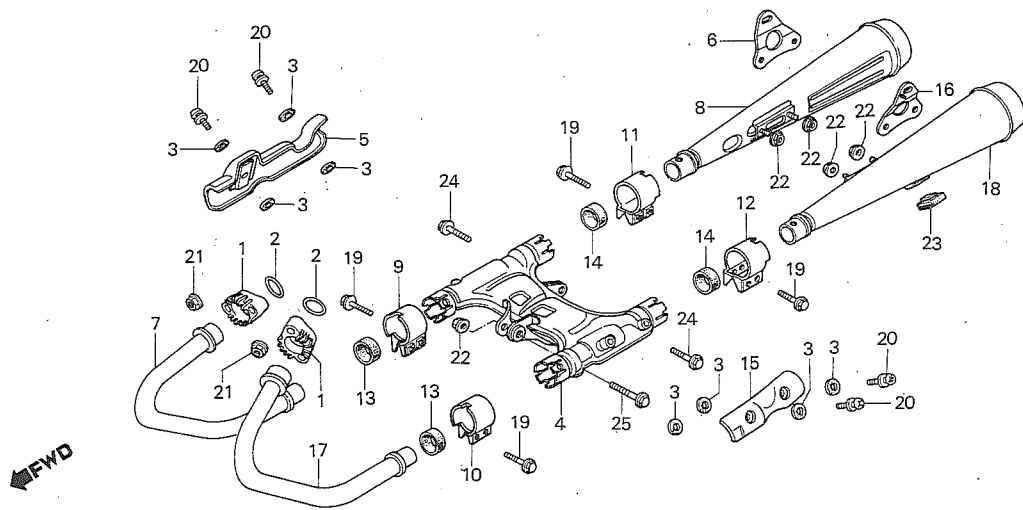
F-19

Exhaust muffler

Pot d'échappement

Auspufftopf

Silenciador



B449-19

Service item	F.R.T.	Ref. No.	Part No.	Description	Reqd. No. CX500Cc	Serial No.	Area code
		13	18391-438-000	PACKING, MUFFLER	2		
		14	18392-449-000	PACKING, MUFFLER	2		
		15	18415-449-000	PROTECTOR, L. CHAMBER	1		
		16	18418-449-000	STAY, L. MUFFLER	1		
		17	18420-449-000	PIPE, L. EX.	1		CM, DE, E, ED, F, IT, ND, U
			18420-449-610	PIPE, L. EX.	1		1G
			18420-449-780	PIPE, L. EX.	1		2G
		18	18430-449-020	MUFFLER COMP., L.	1		DE, ED, ND
			18430-449-672	MUFFLER COMP., L.	1		CM, E, F, IT, U, 1G, 2G
		19	90118-471-000	BOLT, FLANGE, 8X37	8		
		20	90136-415-750	SCREW-WASHER, 6X14	4		
		21	94050-06000	NUT, FLANGE, 6MM.	4		
		22	94050-08080	NUT, FLANGE, 8MM	5		
		23	95011-64000	RUBBER D, STAND STOPPER	1		
		24	95700-08016-08	BOLT, FLANGE, 8X16	2		
		25	95700-08040-08	BOLT, FLANGE, 8X40	1		

I 10

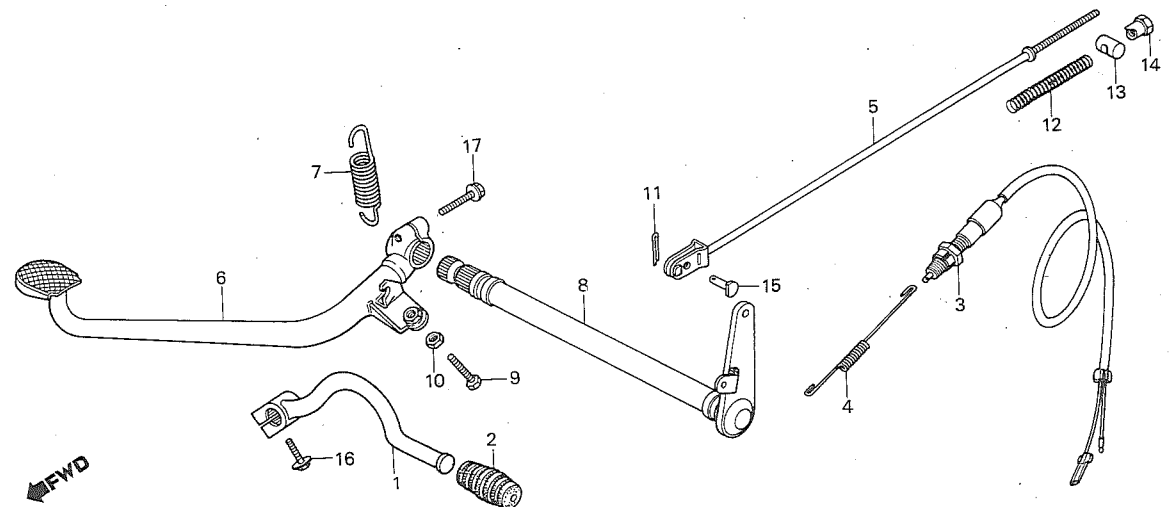
F-20

Brake pedal · Change pedal

Pédale de frein · Pédale de changement

Bremspedal · Schaltpedal

Pedal de freno · Pedal de cambio



B449-20

Service item	F.R.T.	Ref. No.	Part No.	Description	Reqd. No. CX500Cc	Serial No.	Area code
PEDAL, GEAR CHANGE	0.1	1	24700-MA1-000	PEDAL, GEAR CHANGE	1		
·SPRING, STOP SWITCH		2	24781-449-000	RUBBER, GEAR CHANGE	1		
·SPRING, RR. BRAKE		3	35350-415-000	SWITCH ASSY., RR. STOP	1		
·SWITCH ASSY., RR. STOP	0.2	4	35357-415-000	SPRING, STOP SWITCH	1		
·PEDAL COMP., BRAKE		5	43451-415-750	ROD COMP., RR. BRAKE	1		
·ROD COMP., RR. BRAKE	0.3	6	46500-449-000	PEDAL COMP., BRAKE	1		
·SHAFT COMP., RR. BRAKE PIVOT	0.5	7	46514-415-000	SPRING, RR. BRAKE	1		
		8	46515-449-000	SHAFT COMP., RR. BRAKE PIVOT	1		
		9	92035-06035-0H	BOLT, HEX., 6X35	1		
		10	94001-06000	NUT, HEX., 6MM	1		
		11	94201-16120	PIN, SPLIT, 1.6X12	1		
		12	95014-73100	SPRING A, BRAKE ROD	1		
		13	95015-32001	JDINT B, BRAKE ARM	1		
		14	95015-42000	NUT B, BRAKE ROD ADJUSTING	1		

I 11

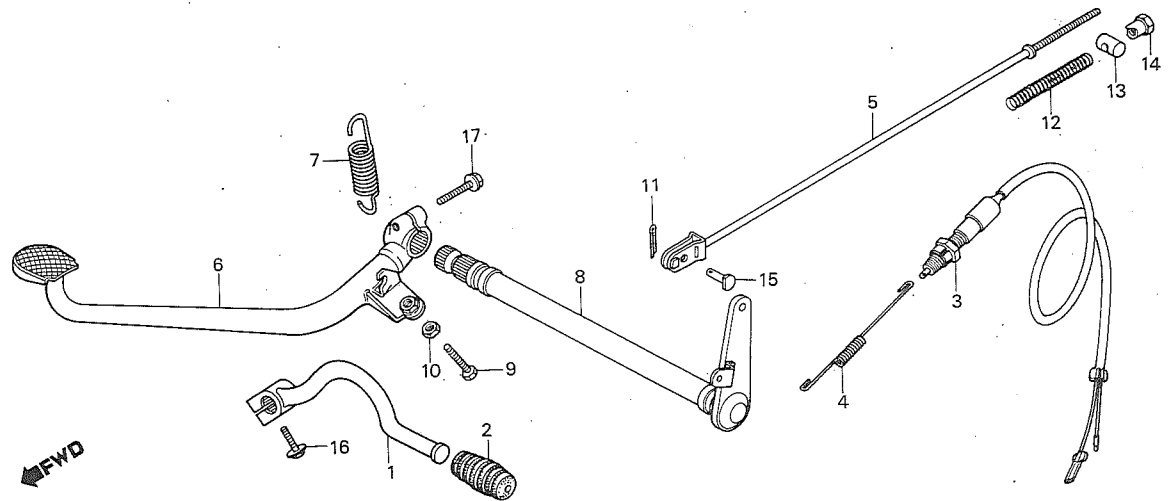
F-20

Brake pedal · Change pedal

Pédale de frein · Pédale de changement

Bremspedal · Schaltpedal

Pedal de freno · Pedal de cambio



B449-20

Service item	F.R.T.	Ref. No.	Part No.	Description	Reqd. No. CX500Cc	Serial No.	Area code
		15	95015-52000	PIN B, BRAKE ROD JOINT	1		
		16	95700-06020-00	BOLT, FLANGE, 6X20	1		
		17	95700-08028-00	BOLT, FLANGE, 8X28	1		

I 12

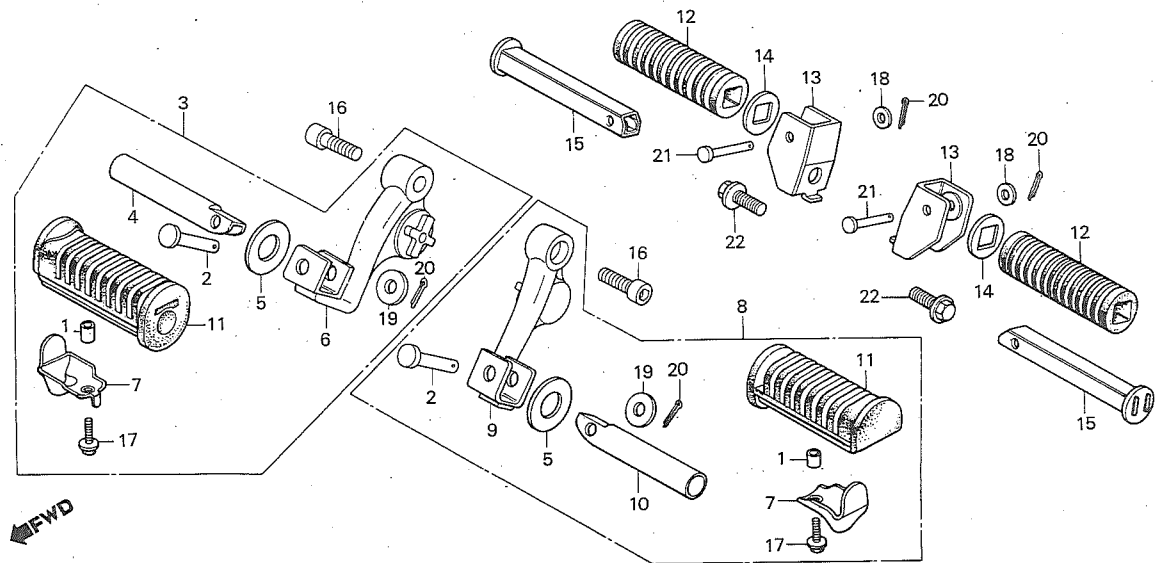
F-21

Step

Repose pieds

Tritt

Estribo



B415-44C

Service item	F.R.T.	Ref. No.	Part No.	Description	Reqd. No. CX500Cc	Serial No.	Area code
STEP ASSY. INC. RELATIVE PART BAR, PILLION STEP INC. RELATIVE PART	0.1	1	37243-323-000	COLLAR, METER SETTING	2		
		2	50603-033-000	PIN, STEP BAR JOINT	2		
		3	50610-449-830	STEP ASSY., R.	1		
		4	50612-413-000	BAR, R. STEP	1		
		5	50614-413-000	WASHER, MAIN STEP	2		
		6	50615-449-000	ARM COMP., R. STEP	1		
		7	50619-425-010	STOPPER, STEP RUBBER	2		
		8	50620-449-830	STEP ASSY., L.	1		
		9	50625-449-000	ARM COMP., L. STEP	1		
		10	50643-413-000	BAR, L. STEP	1		
		11	50661-425-670	RUBBER, STEP	2		
		12	50710-377-000	RUBBER, PILLION STEP	2		
		13	50711-415-010	BRACKET, PILLION STEP	2		

I 13

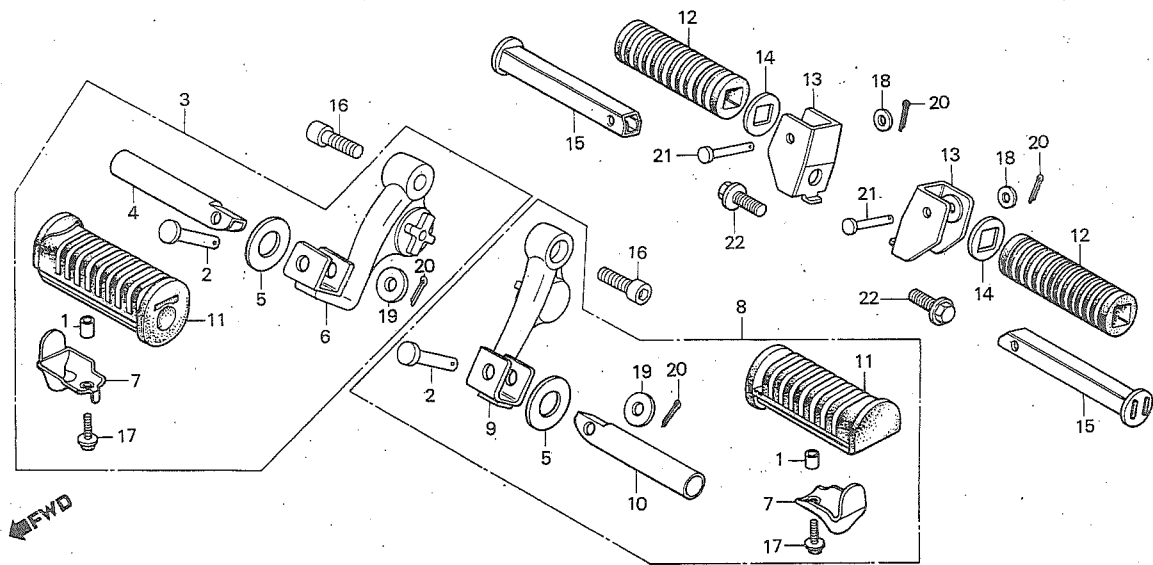
F-21

Step

Repose pieds

Tritt

Estribo



B415-44C

Service item	F.R.T.	Ref. No.	Part No.	Description	Reqd. No. CX500Cc	Serial No.	Area code
		14	50712-413-000	WASHER, PILLION STEP	2		
		15	50715-413-000	BAR, PILLION STEP	2		
		16	90117-449-000	BOLT, SOCKET, 10X25	2		
		17	92000-06016-1A	BOLT, HEX., 6X16	2		
		18	94101-06000	WASHER, PLAIN, 6MM	2		
		19	94101-08000	WASHER, PLAIN, 8MM	2		
		20	94201-16150	PIN, SPLIT, 1.6X15	4		
		21	95015-82000	PIN B, PILLION STEP	2		
		22	95700-10020-08	BOLT, FLANGE, 10X20	2		

I 14

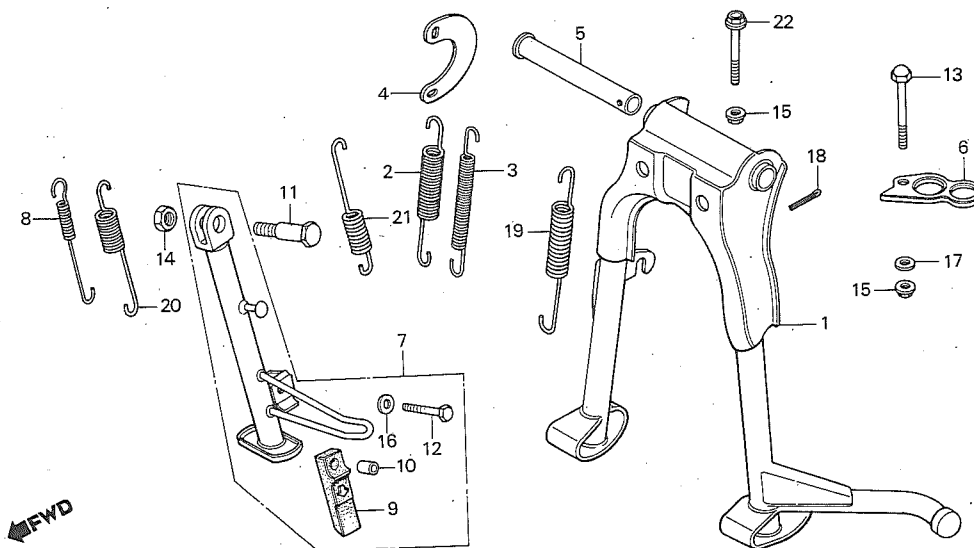
F-22

Stand

Bequille

Ständer

Estante



B415-45

Service item	F.R.T.	Ref. No.	Part No.	Description	Reqd. No. CX500Cc	Serial No.	Area code
STAND COMP., MAIN	0.5	1	50500-415-000	STAND COMP., MAIN	1		DE,E,ED,F,IT,ND,U,1G,2G
SPRING, MAIN STAND	0.2		50500-449-750	STAND COMP., MAIN	1		CM
STAND ASSY., SIDE		2	50510-413-610	SPRING, MAIN STAND	1		1G,2G
SPRING D, SIDE STAND	0.1	3	50520-413-610	SUB SPRING, MAIN STAND	1		1G,2G
		4	50523-415-610	PLATE, MAIN STAND SPRING	1		1G,2G
		5	50526-300-000	PIPE, MAIN STAND PIVOT	1		
		6	50527-415-000	CLAMPER, BREATHER TUBE	1		
		7	50540-449-670	STAND ASSY., SIDE	1		DE,E,ED,F,IT,ND,U,1G,2G
			50540-449-750	STAND ASSY., SIDE	1		CM
		8	50542-438-000	SUB SPRING, SIDE STAND	1		1G,2G
		9	50548-356-700	RUBBER, STAND	1		
		10	50549-356-700	COLLAR, STAND RUBBER SETTING	1		
		11	90108-223-000	SCREW, SIDE STAND PIVOT	1		

I 15

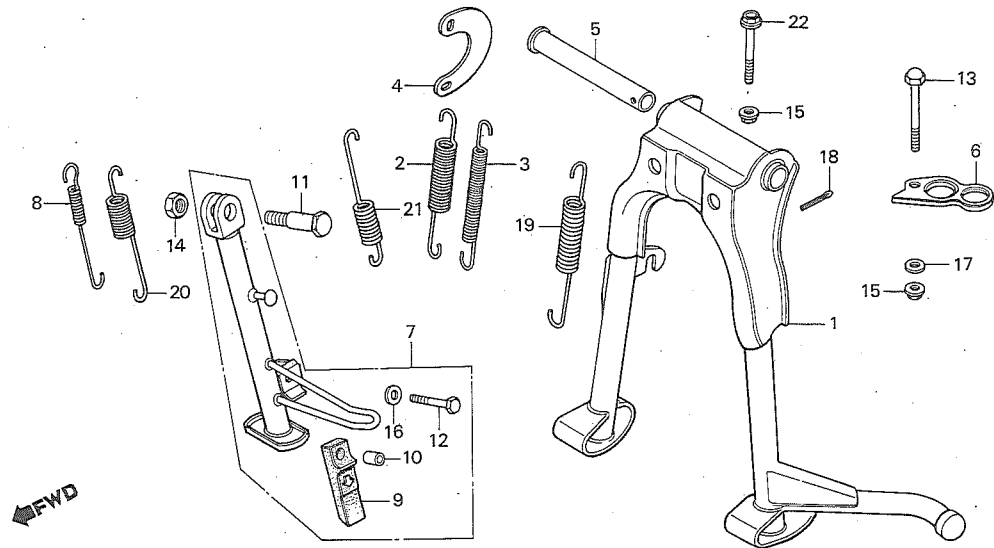
F-22

Stand

Bequille

Ständer

Estante



B415-45

Service item	F.R.T.	Ref. No.	Part No.	Description	Reqd. No. CX500Cc	Serial No.	Area code
		12	92000-06028	BOLT, HEX., 6X28	1		
		13	92500-06040-0A	BOLT, CAP, 6X40	1		
		14	94030-10000	NUT, HEX., 10MM	1		
		15	94050-06080	NUT, FLANGE, 6MM	2		
		16	94101-06000	WASHER, PLAIN, 6MM	1		
		17	94101-06800	WASHER, PLAIN, 6MM	1		
		18	94201-25250	PIN, SPLIT, 2.5X25	1		
		19	95014-71902	SPRING J, MAIN STAND	1		CM,DE,E,ED,F,IT,ND,U
		20	95014-72102	SPRING A, SIDE STAND	1		1G,2G
		21	95014-72402	SPRING D, SIDE STAND	1		CM,DE,E,ED,F,IT,ND,U
		22	95700-06040-08	BOLT, FLANGE, 6X40	1		

I 16

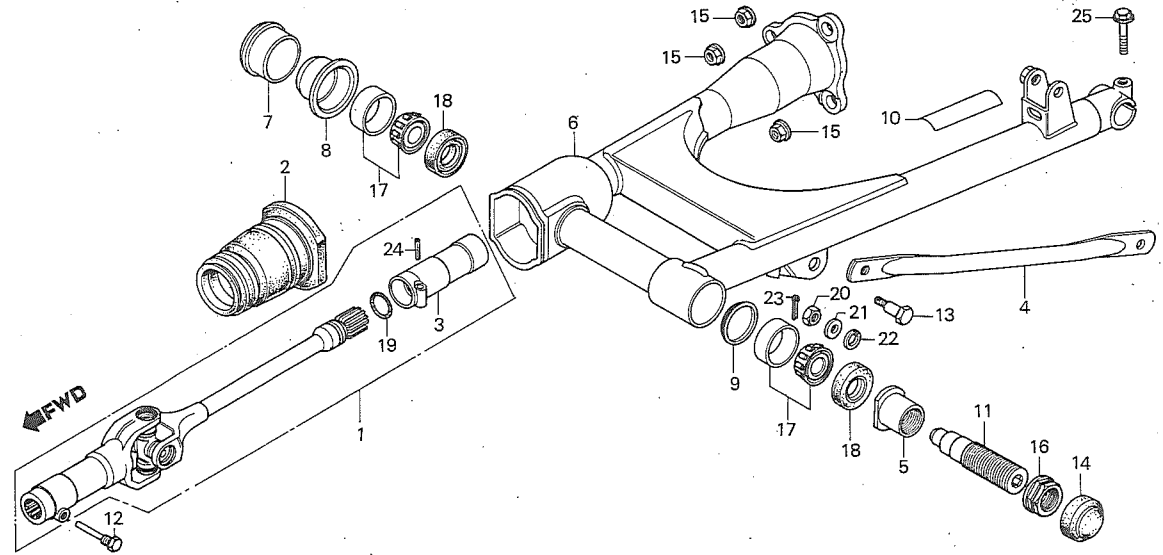
F-23

Rear fork

Fourche arrière

Hintere Schwinge

Horquilla trasera



B415-46

Service item	F.R.T.	Ref. No.	Part No.	Description	Reqd. No. CX500c	Serial No.	Area code
SHAFT COMP., PROPELLER	1.0	1	40200-415-020	SHAFT COMP., PROPELLER	1		
JOINT, PROPELLER SHAFT		2	40207-415-000	BOOT, JOINT	1		
NUT, FORK PIVOT		3	40210-415-010	JOINT, PROPELLER SHAFT	1		
ARM, RR. BRAKE STOPPER	0.2	4	43431-415-000	ARM, RR. BRAKE STOPPER	1		
FORK COMP., RR.	1.2	5	50197-371-300	NUT, FORK PIVOT	1		
BEARING, 30202 (ONE OR ALL)		6	52100-415-000ZA	FORK COMP., RR. #NH-1*	1		
BOLT, PIVOT	0.1	7	52115-415-000	CAP, RR. FORK PIVOT	1		
OIL SEAL, 20X35X8	1.1	8	52117-415-000	HOLDER, RR. FORK PIVOT BEARING	1		
		9	52118-415-000	PLATE, DUST SEAL	1		
		10	87504-028-670	MARK, MUFFLER CAUTION	1		CM
			87504-428-720	MARK, MUFFLER CAUTION (FRENCH)	1		CM
		11	90121-415-000	BOLT, PIVOT	1		
		12	90127-415-000	BOLT, SPECIAL, 8MM	1		

J 1

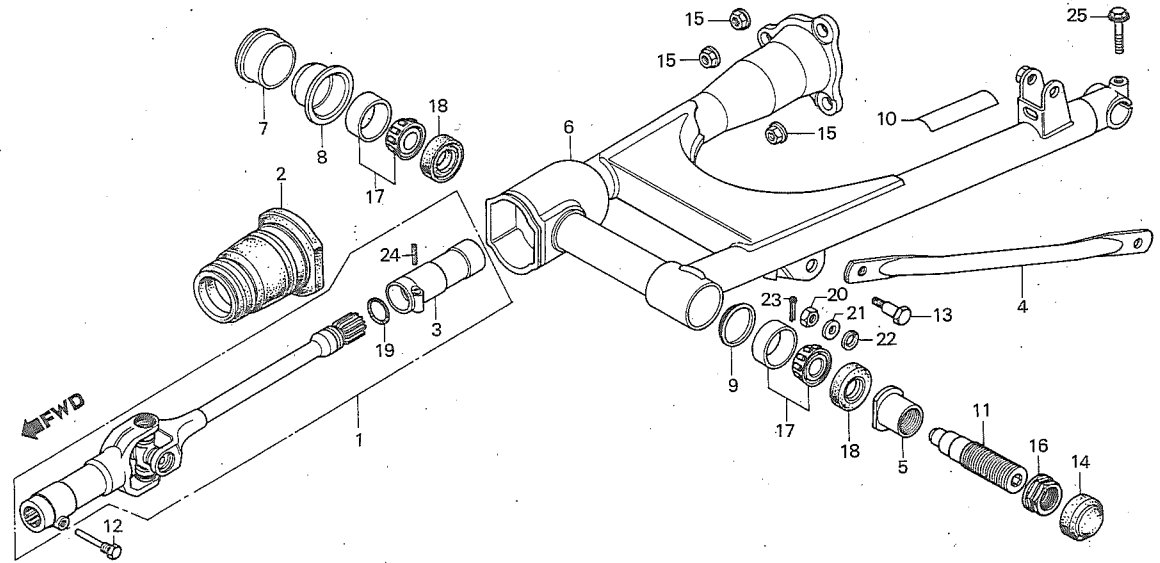
F-23

Rear fork

Fourche arrière

Hintere Schwinge

Horquilla trasera



B415-46

Service item	F.R.T.	Ref. No.	Part No.	Description	Reqd. No. CX500Cc	Serial No.	Area code
		13	90133-286-000	BOLT, RR. BRAKE STOPPER ARM	1		
		14	90303-431-670	CAP, LOCK NUT	1		
		15	90308-357-000	NUT, HEX., 10MM	3		
		16	90354-431-670	NUT, LOCK, 23MM	1		
		17	91066-415-003	BEARING, 30202 (TOYO)	2		
			91066-415-004	BEARING, 30202 (NACHI)	2		
			91066-415-005	BEARING, 30202 (KOYO)	2		
			91066-415-006	BEARING, 30202 (NIPPON SEIKO)	2		
		18	91266-415-003	OIL SEAL, 20X35X8	2		
			91266-415-004	OIL SEAL, 20X35X8	2		
		19	91359-415-300	O-RING, 22X1.7	1		
		20	94001-08000-0S	NUT, HEX., 8MM	1		
		21	94101-08000	WASHER, PLAIN, 8MM	1		
		22	94111-10000	WASHER, SPRING, 10MM	1		
		23	94201-20180	PIN, SPLIT, 2.0X18	1		

J 2

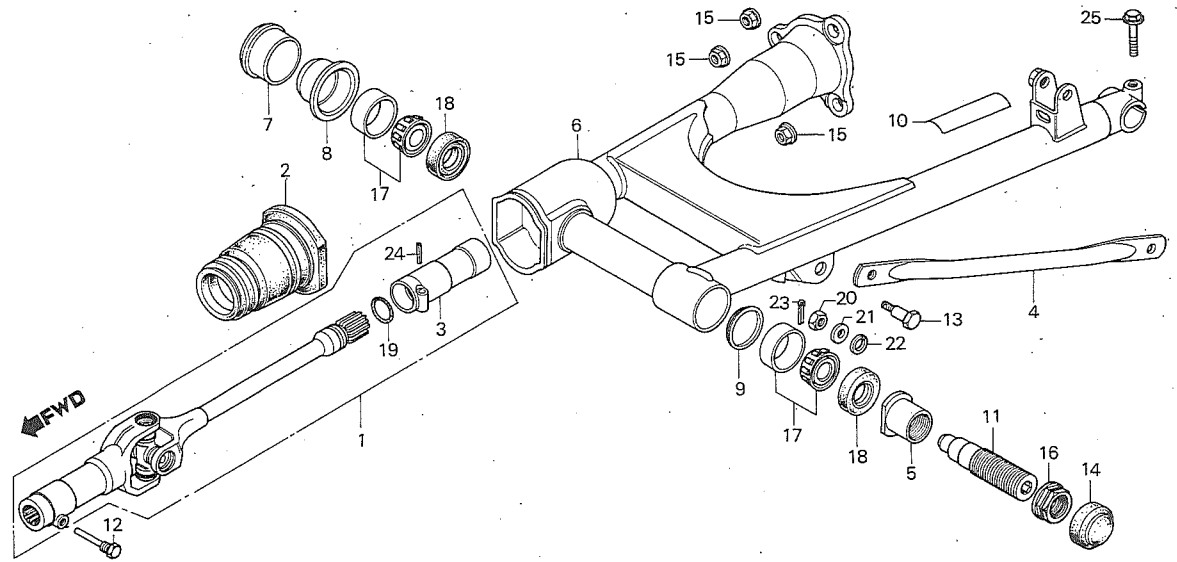
F-23

Rear fork

Fourche arrière

Hintere Schwinge

Horquilla trasera



B415-46

Service item	F.R.T.	Ref. No.	Part No.	Description	Reqd. No. CX500Cc	Serial No.	Area code
		24	94305-40222	PIN, SPRING, 4X22	1		
		25	95700-08032-00	BOLT, FLANGE, 8X32	1		

J 3

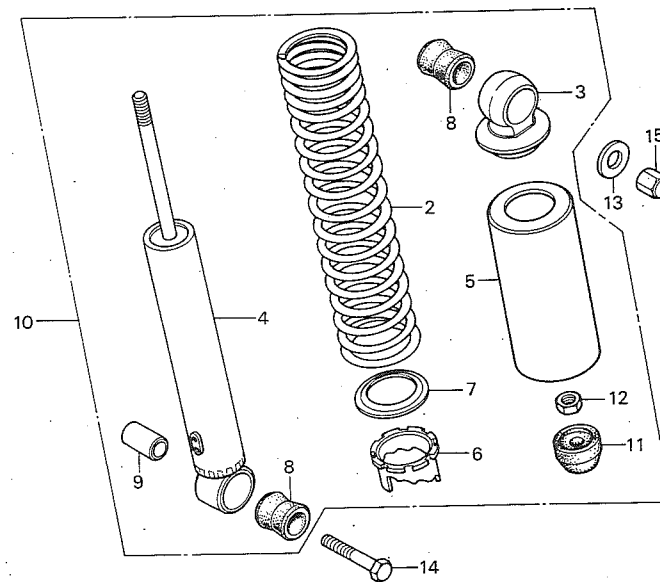
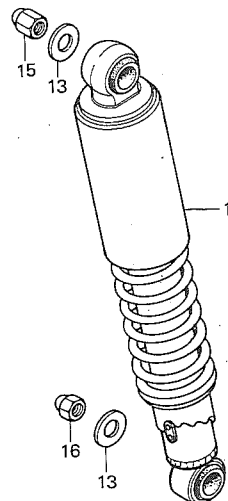
F-24

Rear cushion

Amortisseur arrière

Hinterer Stoßdämpfer

Amortiguador trasero



B415-47A

Service item	F.R.T.	Ref. No.	Part No.	Description	Reqd. No. CX500cc	Serial No.	Area code
CUSHION ASSY., RR. DAMPER COMP., RR. INC. RELATIVE PART	0.1 0.3	1	52400-449-712	CUSHION ASSY., R. RR. (SHOWA)	1		DE,E,ED,F,IT,ND,U,1G,2G CM
			52400-449-752	CUSHION ASSY., R. RR. (SHOWA)	1		
		2	52401-415-003	SPRING, RR. CUSHION (SHOWA)	2		
		3	52403-404-013	JOINT COMP., UPPER	2		
		4	52410-449-752	DAMPER COMP., RR.	2		
		5	52421-404-003	CASE, RR. CUSHION UPPER	2		
		6	52422-404-003	ADJUSTER, SPRING	2		
		7	52458-329-000	SEAT, RR. CUSHION SPRING UNDER	2		
		8	52484-292-000	RUBBER, JOINT	4		
		9	52486-415-003	COLLAR, RR. CUSHION (SHOWA)	1		
	10	52500-449-712	CUSHION ASSY., L. RR. (SHOWA)	1		DE,E,ED,F,IT,ND,U,1G,2G CM	
			52500-449-752	CUSHION ASSY., L. RR. (SHOWA)	1		

J 4

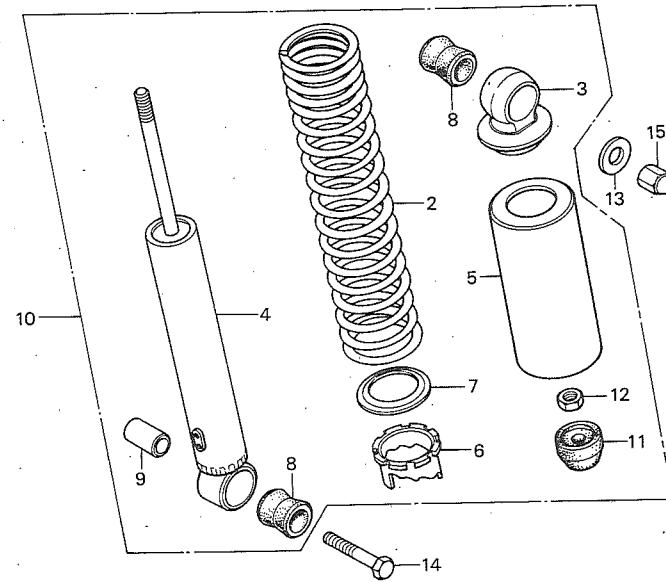
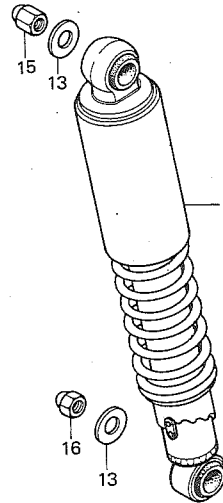
F-24

Rear cushion

Amortisseur arrière

Hinterer Stoßdämpfer

Amortiguador trasero



B415-47A

Service item	F.R.T.	Ref. No.	Part No.	Description	Reqd. No. CX500Cc	Serial No.	Area code
		11	52517-404-003	RUBBER, STOPPER	2		
		12	90309-315-000	NUT, RR. CUSHION UPPER	2		
		13	90521-292-000	WASHER, 10.3MM	3		
		14	93000-10040-0B	BOLT, HEX., 10X40	1		
		15	94002-10000-0S	NUT, HEX., 10MM	2		
		16	94021-10020-0S	NUT, CAP, 10MM	1		

J 5

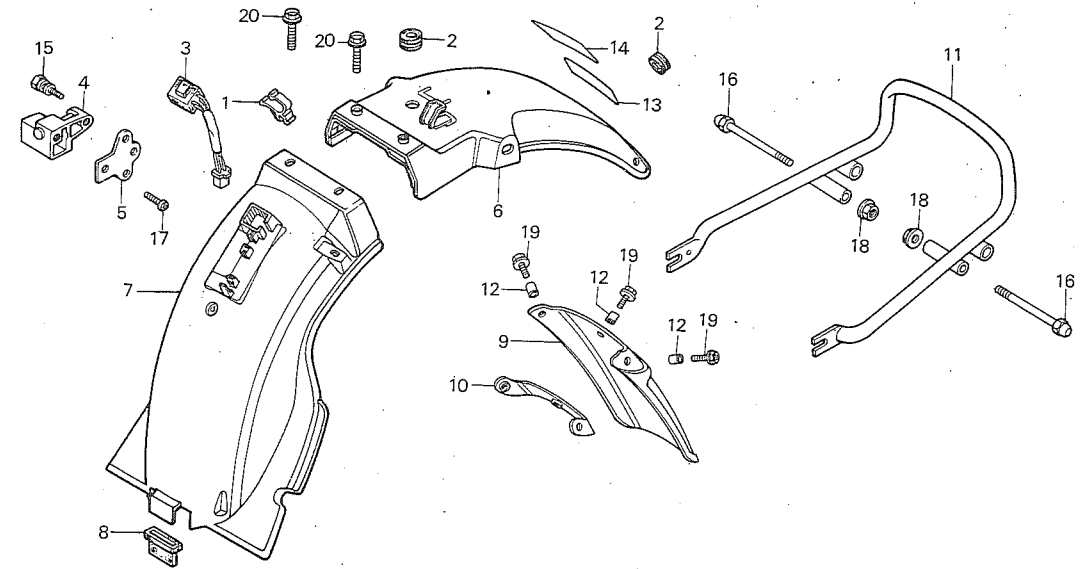
F-25

Rear fender

Garde-boue arrière

Hinterer Kotflügel

Parafango trasero



B415-77A

Service item	F.R.T.	Ref. No.	Part No.	Description	Reqd. No. CX500Cc	Serial No.	Area code
HOLDER ASSY., HELMET	0.3	1	32161-393-003	CLIP, WIRE HARNESS	1		
FENDER B, RR.		2	32983-011-000	GROMMET, WIRE HARNESS	2		
BUMPER, RR.		3	38570-426-771	WARNING ASSY., STOP	1		
FENDER COMP., RR.	0.4	4	50710-371-007	HOLDER ASSY., HELMET	1		
MUDGUARD, RR. FENDER	0.1	5	50715-449-000	PLATE, HELMET HOLDER	1		
		6	80100-449-000	FENDER COMP., RR.	1		CM,E,F,IT,U
			80100-449-610	FENDER COMP., RR.	1		DE,ED,ND,1G,2G
		7	80105-449-830	FENDER B, RR.	1		
		8	80115-415-000	RUBBER, FENDER CUSHION	1		
		9	80121-449-610	MUDGUARD, RR. FENDER	1		ED,ND,1G,2G
			80121-449-790	MUDGUARD, RR. FENDER	1		DE
		10	80122-449-610	STAY, MUDGUARD	1		DE,ED,ND,1G,2G
		11	84101-449-670	BUMPER, RR.	1		
		12	84706-375-000	COLLAR, NUMBER BRACKET SETTING	3		DE,ED,ND,1G,2G
		13	87505-449-690	MARK, TIRE CAUTION (FRENCH)	1		F
			87505-449-710	MARK, TIRE CAUTION	1		DE,E,ED,IT,ND,U,1G,2G

J 6

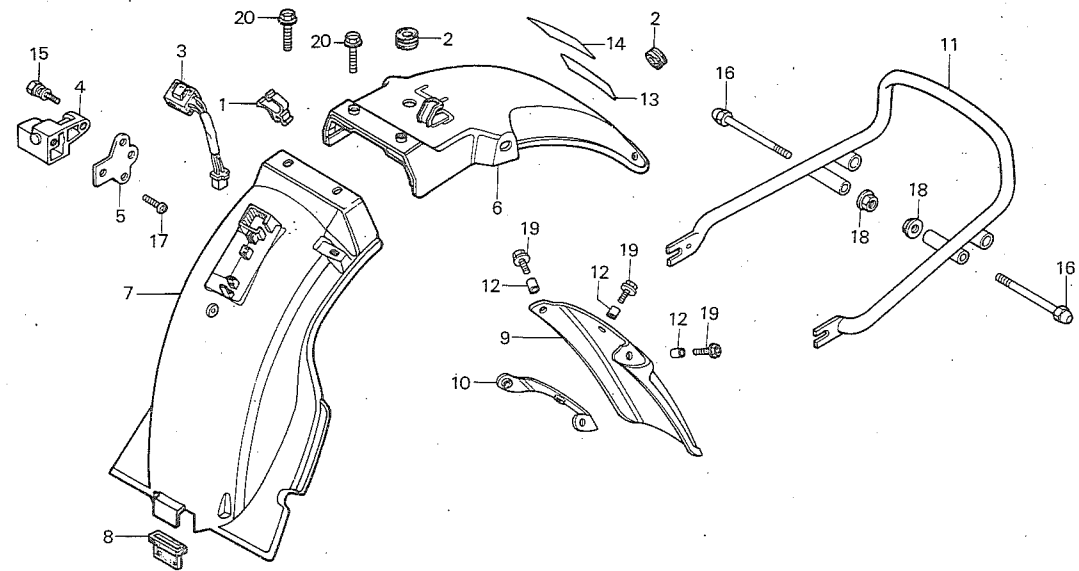
F-25

Rear fender

Garde-boue arrière

Hinterer Kotflügel

Parafango trasero



B415-77A

Service item	F.R.T.	Ref. No.	Part No.	Description	Reqd. No. CX500Cc	Serial No.	Area code
			87505-449-750	MARK, TIRE CAUTION	1		CM
			87505-449-760	MARK, TIRE CAUTION	1		CM
		14	87512-447-630	MARK, ACCESSORY & LOADING CAUTION	1		CM,DE,E,ED,IT,ND,U
			87512-447-860	MARK, ACCESSORY & LOADING CAUTION (FRENCH)	1		CM,F
			87512-463-790	MARK, ACCESSORIES LOADING CAUTION	1		1G,2G
		15	90107-449-000	BOLT, HELMET HOLDER SETTING	2		
			16	92600-08080-0B BOLT, CAP, 8X80	2		
			17	93500-06008 SCREW, PAN, 6X8	2		
			18	94050-08080 NUT, FLANGE, 8MM	2		
			19	95700-06014-00 BOLT, FLANGE, 6X14	3		DE,ED,ND,1G,2G
			20	95700-06016-08 BOLT, FLANGE, 6X16	2		

J 7

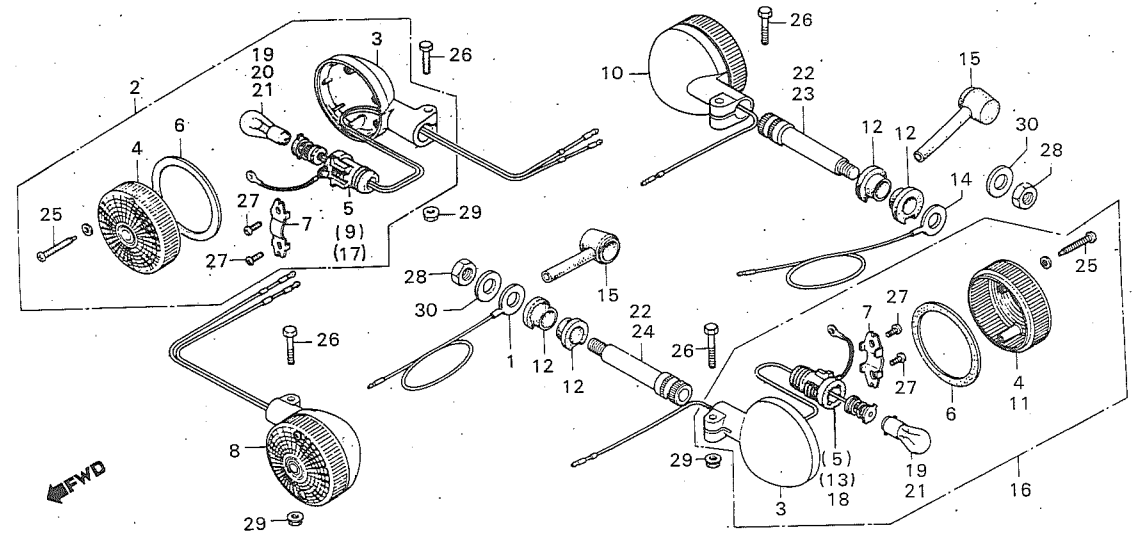
F-26

Winker

Clignotant

Blinker

Luz intermitente



B415-49A

Service item	F.R.T.	Ref. No.	Part No.	Description	Reqd. No. CX500Cc	Serial No.	Area code	
WINKER ASSY. (ADD 0.1 FOR EACH.) INC. RELATIVE PART (EXC. RELATED PARTS BELOW) BULB, WINKER (WHEN SERVICING COMP., UNIT, F.R.T. IS 0.2.)	0.2	1	32111-449-000	SUB CORD A	1			
		2	33400-377-671	WINKER ASSY., R. FR.	1		CM	
	0.1			33400-449-600	WINKER ASSY., R. FR.	1		DE,E,ED,F,IT,ND,1G,2G
				33400-449-680	WINKER ASSY., R. FR.	1		U
			3	33401-377-671	BASE, R. FR. WINKER	4		CM
				33401-390-003	BASE, R. FR. WINKER	4		DE,E,ED,F,IT,ND,U,1G,2G
			4	33402-377-671	LENS, FR. WINKER	4		CM,U
						2		DE,E,ED,F,IT,ND,1G,2G
			5	33405-377-671	SOCKET COMP., R. FR. WINKER	1		CM
				33405-449-600	SOCKET COMP., R. WINKER	2		DE,E,ED,F,IT,ND,U,1G,2G
	6	33406-377-671	PACKING, WINKER LENS	4				

J 8

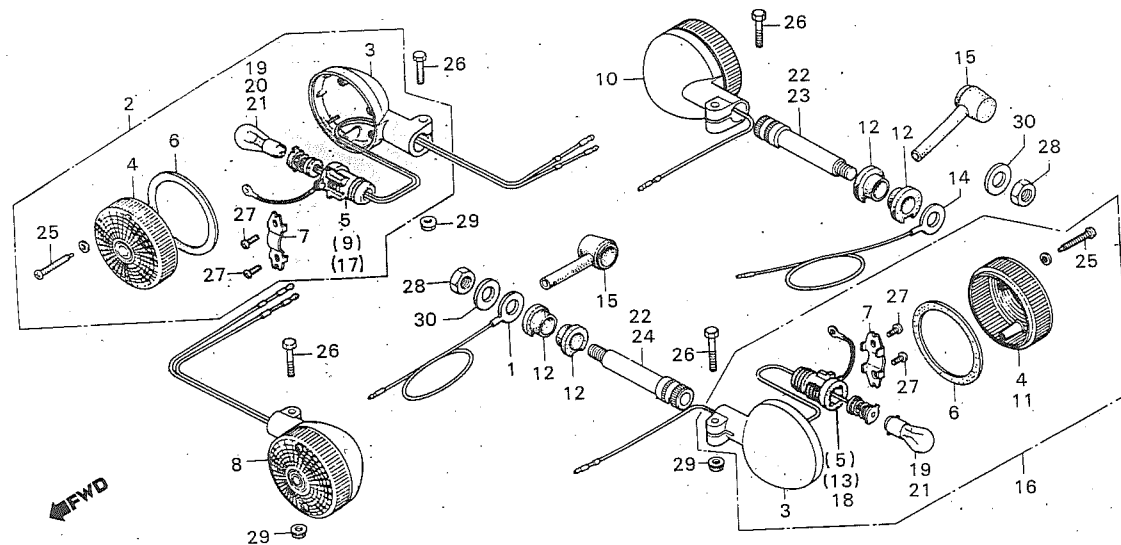
F-26

Winker

Clignotant

Blinker

Luz intermitente



B415-49A

Service item	F.R.T.	Ref. No.	Part No.	Description	Reqd. No. CX500Cc	Serial No.	Area code
		7	33407-371-601	HOLDER, FR. WINKER SOCKET	4		DE,E,ED,F,IT,ND,1G,2G
			33407-377-671	HOLDER, FR. WINKER SOCKET	4		CM,U
		8	33450-377-671	WINKER ASSY., L. FR.	1		CM
			33450-449-600	WINKER ASSY., L. FR.	1		DE,E,ED,F,IT,ND,1G,2G
			33450-449-680	WINKER ASSY., L. FR.	1		U
		9	33455-377-671	SOCKET COMP., L. FR. WINKER	1		CM
		10	33600-449-600	WINKER ASSY., R. RR.	1		DE,E,ED,F,IT,ND,1G,2G
			33600-449-670	WINKER ASSY., R. RR.	1		CM
			33600-449-680	WINKER ASSY., R. RR.	1		U
		11	33602-371-601	LENS, RR. WINKER	2		DE,E,ED,F,IT,ND,1G,2G
		12	33606-449-000	RUBBER, RR. WINKER	4		
		13	33610-449-670	SOCKET COMP., R. WINKER	1		CM

J9

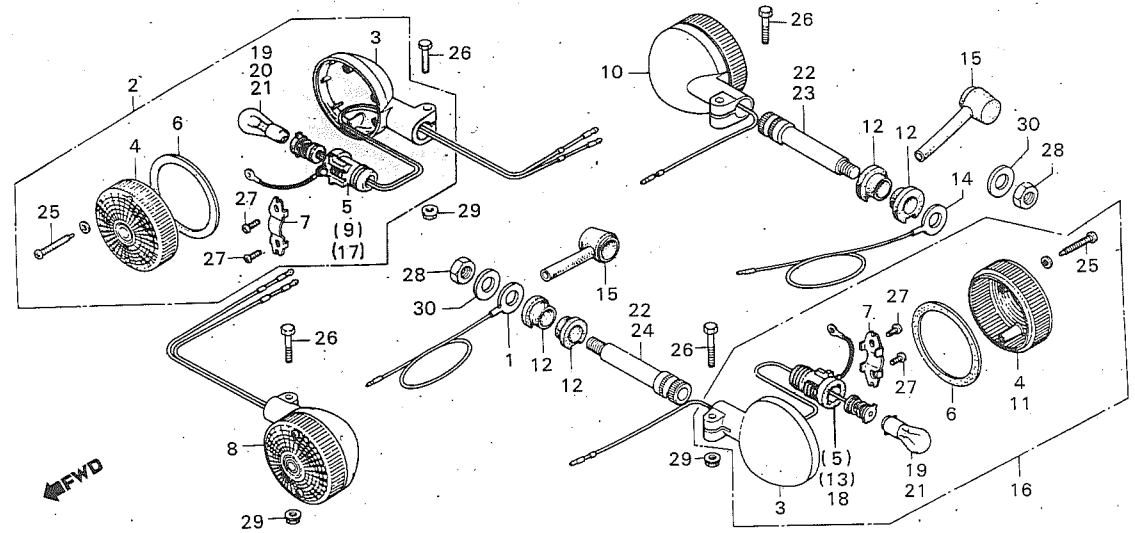
F-26

Winker

Clignotant

Blinker

Luz intermitente



B415-49A

Service item	F.R.T.	Ref. No.	Part No.	Description	Reqd. No. CX500Cc	Serial No.	Area code
		14	33621-413-000	CORD B, WINKER EARTH	1		
		15	33625-449-000	COVER, EARTH TERMINAL	2		
		16	33650-449-600	WINKER ASSY., L. RR.	1		DE,E,ED,F,IT,ND,1G,2G
			33650-449-670	WINKER ASSY., L. RR.	1		CM
			33650-449-680	WINKER ASSY., L. RR.	1		U
		17	33655-375-671	SOCKET COMP., L. RR. WINKER	1		DE,E,ED,F,IT,ND,U,1G,2G
		18	33660-449-600	SOCKET COMP., L. WINKER	1		DE,E,ED,F,IT,ND,U,1G,2G
			33660-449-670	SOCKET COMP., L. WINKER	1		CM
		19	34905-268-671	BULB, WINKER (12V23W)	2		CM
					4		U
		20	34906-313-671	BULB, STOP & TAILLIGHT	2		CM
				(12V23/8W)			
		21	34908-634-611	BULB (12V21W)	4		DE,E,ED,F,IT,ND,1G,2G

J 10

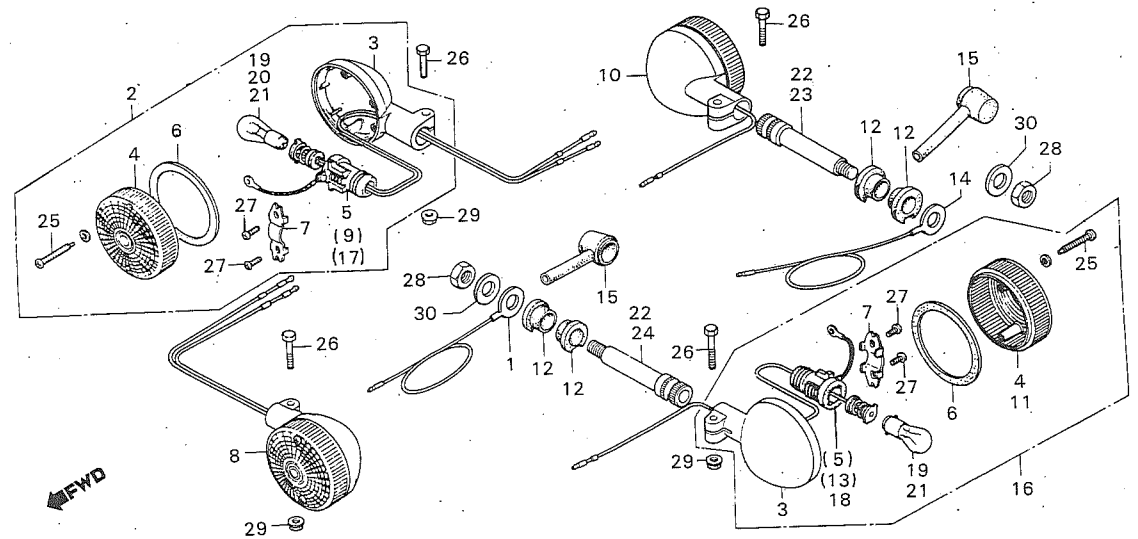
F-26

Winker

Clignotant

Blinker

Luz intermitente



B415-49A

Service item	F.R.T.	Ref. No.	Part No.	Description	Reqd. No. CX500Cc	Serial No.	Area code
		22	90155-415-770	BOLT, RR. WINKER	2		CM,E,F,IT,U
		23	90155-449-611	BOLT, R. RR. WINKER	1		DE,ED,ND,1G,2G
		24	90156-449-610	BOLT, L. RR. WINKER	1		DE,ED,ND,1G,2G
		25	90192-377-671	SCREW, PAN, 4X25	8		
		26	93000-06035-02	BOLT, HEX., 6X35	4		
		27	93500-03008-0H	SCREW, PAN, 3X8	8		
		28	94001-10000-0S	NUT, HEX., 10MM	2		
		29	94050-06000	NUT, FLANGE, 6MM	4		
		30	94101-10000	WASHER, PLAIN, 10MM	2		

J 11

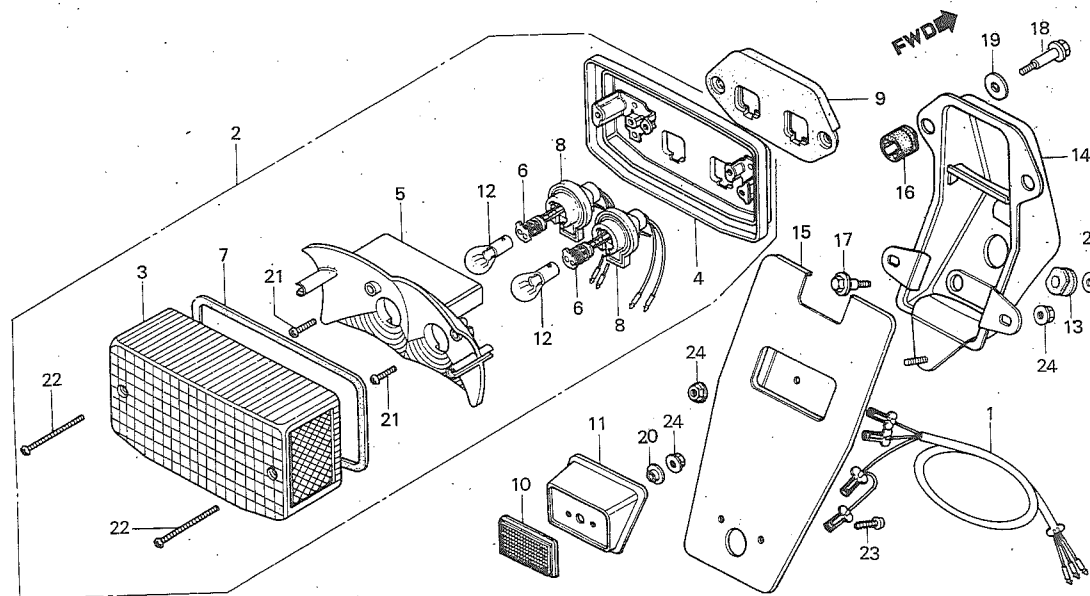
F-27

Taillight

Feu arrière

Rücklicht

Luz trasera



B470-14A

Service item	F.R.T.	Ref. No.	Part No.	Description	Reqd. No. CX500Cc	Serial No.	Area code
HARNESS A, SUB WIRE	0.2	1	32101-449-770	HARNESS A, SUB WIRE	1		
TAILLIGHT UNIT		2	33701-425-772	TAILLIGHT UNIT	1		CM
BASE COMP., TAILLIGHT			33701-447-625	TAILLIGHT UNIT	1		DE,E,ED,F,IT,ND
SOCKET COMP., TAILLIGHT			33701-447-712	TAILLIGHT UNIT	1		1G,2G
REFLECTOR	0.1		33701-460-792	TAILLIGHT UNIT	1		U
BASE, RR. REFLEX REFLECTOR		3	33702-425-771	LENS, TAILLIGHT	1		CM,U
BULB, TAILLIGHT			33702-447-624	LENS, TAILLIGHT (STANLEY)	1		DE,E,ED,F,IT,ND
PLATE COMP., BACK			33702-447-711	LENS, TAILLIGHT (STANLEY)	1		1G,2G
BRACKET, NUMBER PLATE	0.3	4	33703-425-772	BASE COMP., TAILLIGHT	1		
		5	33704-425-771	REFLECTOR	1		CM
			33704-447-712	REFLECTOR	1		DE,E,ED,F,IT,ND,1G,2G
			33704-460-791	REFLECTOR	1		U
		6	33705-147-671	CORD COMP., TAILLIGHT (STANLEY)	2		
		7	33708-425-771	PACKING, LENS	1		
		8	33710-425-772	SOCKET COMP., TAILLIGHT	2		
		9	33718-425-771	PACKING, TAILLIGHT BASE	1		
		10	33741-415-601	REFLECTOR, RR. REFLEX (STANLEY)	1		DE,E,ED,F,IT,ND,1G,2G

J 12

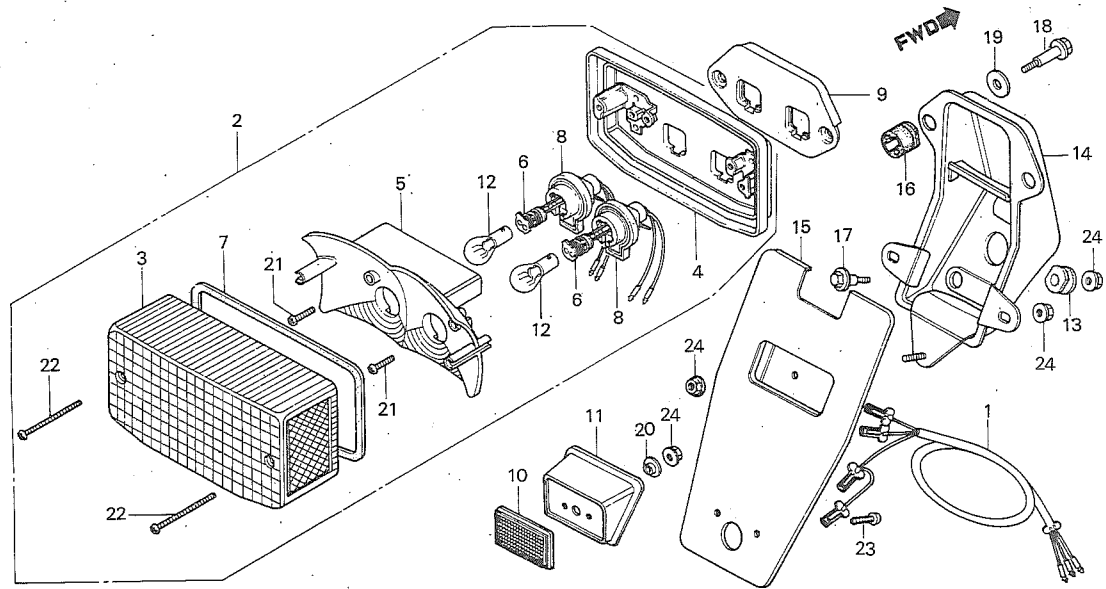
F-27

Taillight

Feu arrière

Rücklicht

Luz trasera



B470-14A

Service item	F.R.T.	Ref. No.	Part No.	Description	Reqd. No. CX500Cc	Serial No.	Area code
		11	33745-425-610	BASE, RR. REFLEX REFLECTOR	1		DE,E,ED,F,IT,ND,1G,2G
		12	34905-425-671	BULB, WINKER (12V23/8W STANLEY)	2		U
			34906-425-771	BULB, TAILLIGHT (12V 32/3CP STANLEY)	2		CM
			34906-447-711	BULB, TAILLIGHT (12V21/5W)	2		DE,E,ED,F,IT,ND,1G,2G
		13	80101-283-000	RUBBER, RR. FENDER CUSHION	3		CM
			84707-449-610	RUBBER, NUMBER PLATE BRACKET	3		DE,E,ED,F,IT,ND,U,1G,2G
		14	84701-449-610	BRACKET, NUMBER PLATE	1		DE,E,ED,F,IT,ND,1G,2G
			84701-449-770	BRACKET, NUMBER PLATE	1		CM,U
		15	84702-447-710	PLATE COMP., BACK	1		DE,E,ED,F,IT,ND,1G,2G
		16	84905-333-000	RUBBER, CUSHION	2		
		17	90113-449-000	BOLT, FLANGE, 6X20	3		
		18	90165-425-771	BOLT, TAILLIGHT SETTING (STANLEY)	2		
		19	90545-323-700	WASHER, 6.5X18	2		
		20	90554-240-000	WASHER B, CHAIN CASE SETTING	1		DE,E,ED,F,IT,ND,1G,2G

J 13

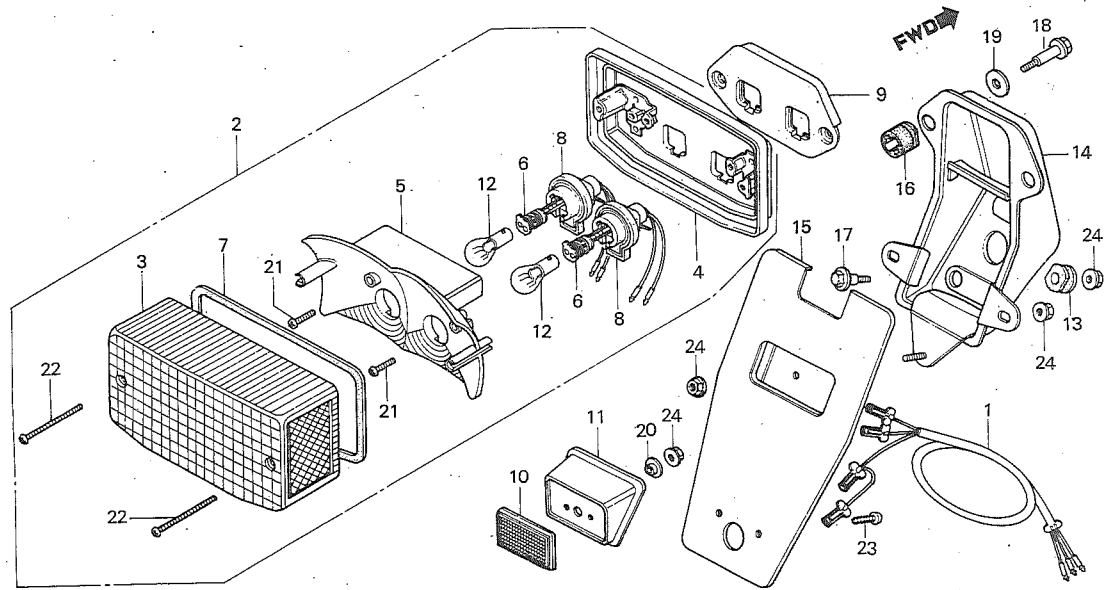
F-27

Taillight

Feu arrière

Rücklicht

Luz trasera



B470-14A

Service item	F.R.T.	Ref. No.	Part No.	Description	Reqd. No. CX500Cc	Serial No.	Area code
		21	93500-04008-0A	SCREW, PAN, 4X8	2		DE,E,ED,F,IT,ND,1G,2G
			93500-04012-0A	SCREW, PAN, 4X12	2		CM,U
		22	93500-04055-4J	SCREW, PAN, 4X55	2		
		23	93903-35380	SCREW, TAPPING, 5X16	2		DE,E,ED,F,IT,ND,1G,2G
		24	94050-06080	NUT, FLANGE, 6MM	3		CM,U
					5		DE,E,ED,F,IT,ND,1G,2G

J 14

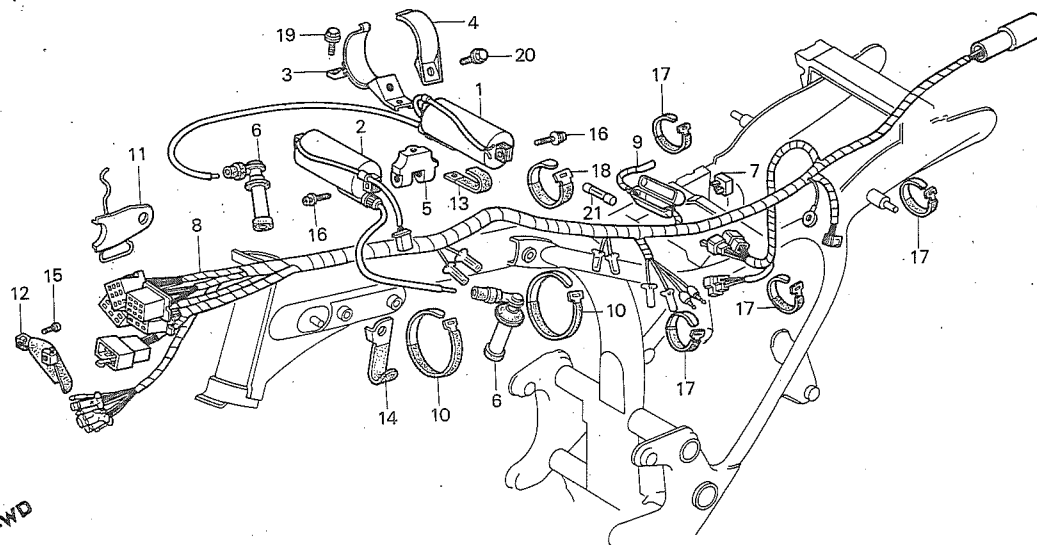
F-28

Wire harness · Ignition coil

Faisceau électrique · Bobine d'allumage

Kabelbaum · Zündspule

Equipo de alambre · Bobina de encendido



B449-21

Service item	F.R.T.	Ref. No.	Part No.	Description	Reqd. No. CX500Cc	Serial No.	Area code
COIL ASSY., IGNITION (ADD 0.1 FOR EACH.)	0.3	1	30501-449-830	COIL ASSY., R. IGNITION	1		
		2	30502-449-830	COIL ASSY., L. IGNITION	1		
RECTIFIER ASSY., SILICON	0.2	3	30505-449-830	BRACKET A, IGNITION COIL	1		
		4	30506-449-750	BRACKET B, IGNITION COIL	1		
HARNESS, WIRE	1.6	5	30507-449-830	BRACKET C, IGNITION COIL	2		
		6	30700-415-000	CAP ASSY., NOISE SUPPRESSOR	2		
		7	31700-124-003	RECTIFIER ASSY., SILICON (STANLEY)	1		
			31700-124-008	RECTIFIER ASSY., SILICON (SHINDENGEN)	1		
		8	32100-449-840	HARNESS, WIRE	1		CM
			32100-449-830	HARNESS, WIRE	1		DE, E, ED, F, IT, ND, U, 1G, 2G
		9	32125-463-770	CASE, FUSE (5A)	1		CM
		10	32161-402-000	BAND, WIRE	2		
		11	32812-449-770	CLIP, HORN & THROTTLE	1		
		12	35114-371-000	PROTECTOR, CORD	1		CM, E, ED, F, IT, U, DE
		13	50732-413-000	CLIP, THROTTLE CABLE	1		

J 15

F-28

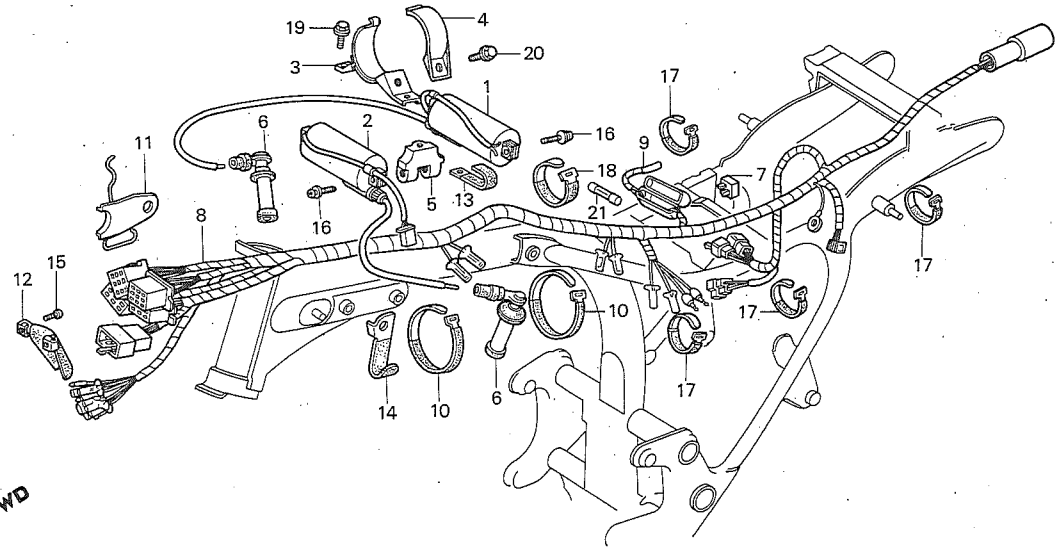
Wire harness · Ignition coil

Faisceau électrique · Bobine d'allumage

Kabelbaum · Zündspule

Equipo de alambre · Bobina de encendido

← FWD



B449-21

Service item	F.R.T.	Ref. No.	Part No.	Description	Reqd. No. CX500Cc	Serial No.	Area code
		14	50732-415-000	CLIP, THROTTLE CABLE	1		
		15	93500-03008-1A	SCREW, PAN, 3X8	2		CM, E, ED, F, IT, U, DE
		16	93891-05025-08	SCREW-WASHER, 5X25	4		
		17	95014-61200	BAND A2, WIRE	4		
		18	95014-62100	BAND B1, WIRE	1		
		19	95700-06016-08	BOLT, FLANGE, 6X16	2		
		20	95700-08020-08	BOLT, FLANGE, 8X20	1		
		21	98200-20500	FUSE B (5A)	2		CM

1981.09.10

E

J15

J 16

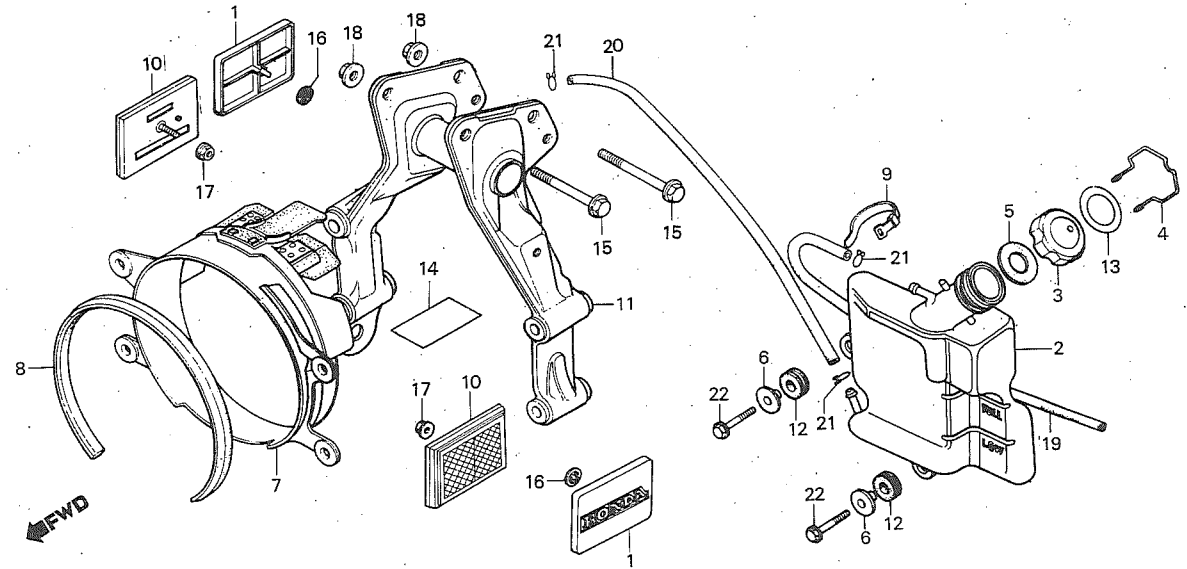
F-29

Radiator shroud · Researve tank

Buse de radiateur · Réservoir

Kühlerhaube · Reservetank

Pestana de radiador · Depósito de reserva



B415-52G

Service item	F.R.T.	Ref. No.	Part No.	Description	Reqd. No. CX500Cc	Serial No.	Area code
TANK, RESERVE	*2.7	1	19038-449-000	CAP, RADIATOR SIDE PLATE	2		F,1G,2G
SHROUD COMP., RADIATOR	0.8	2	19103-449-830	TANK, RESERVE	1		
REFLECTOR, FR. REFLEX	0.2	3	19104-415-000	CAP, RESERVE TANK	1		
(ONE OR ALL)		4	19105-415-000	WIRE, CAP LOCK	1		
BRACKET, FR. ENGINE HANGER	0.9	5	19106-415-000	PACKING, RESERVE TANK	1		
		6	19107-415-000	COLLAR, RESERVE TANK SETTING	2		
		7	19113-415-010	SHROUD COMP., RADIATOR	1		
		8	19114-415-000	PACKING, RADIATOR SHROUD	1		
		9	32161-404-000	BAND B1, WIRE	1		
		10	33741-449-000	REFLECTOR, FR. REFLEX	2		CM,DE,E,ED,IT,ND,U
		11	50310-415-000	BRACKET, FR. ENGINE HANGER	1		
		12	61103-357-000	RUBBER, FR. FENDER MOUNTING	2		
		13	87507-415-620	LABEL, RESERVE TANK (FRENCH)	1		CM,F

K 1

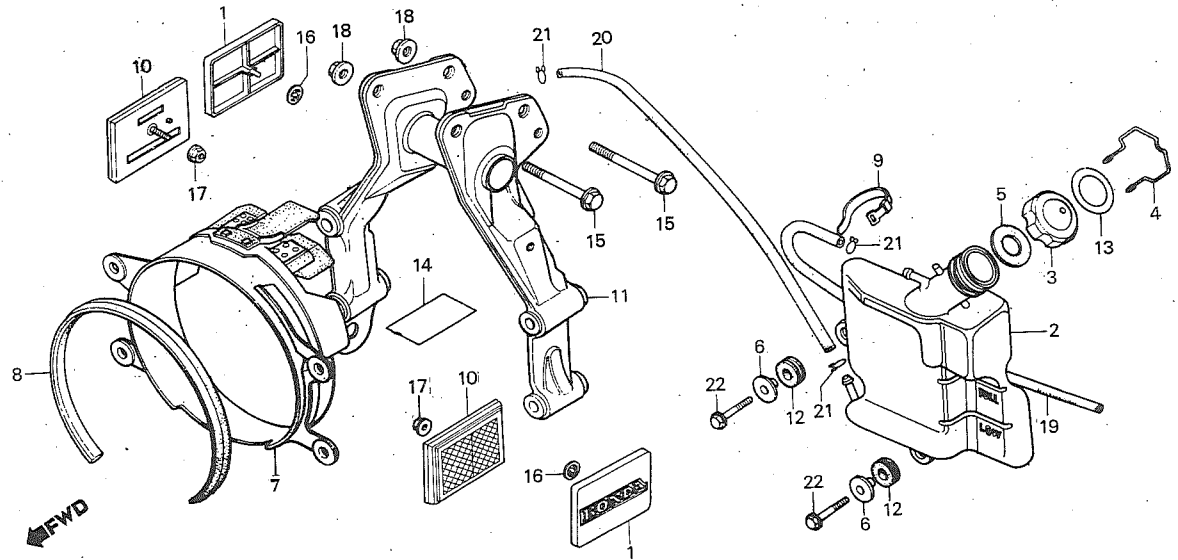
F-29

Radiator shroud · Reserve tank

Buse de radiateur · Réservoir

Kühlerhaube · Reservetank

Pestana de radiador · Depósito de reserva



B415-52G

Service item	F.R.T.	Ref. No.	Part No.	Description	Reqd. No. CX500Cc	Serial No.	Area code
		14	87507-415-670	LABEL, RESERVE TANK	1		CM,DE,E,ED,IT,ND,U,1G,2G
			87508-415-620	LABEL, RADIATOR CAUTION (FRENCH)	1		CM,F
		15	87508-415-670	MARK, RADIATOR CAUTION	1		CM,DE,E,ED,IT,ND,U,1G,2G
			90120-449-770	BOLT, FLANGE, 10X117	2		
		16	90313-567-000	NUT, SPEED, 3MM	2		F,1G,2G
		17	94050-06080	NUT, FLANGE, 6MM	2		CM,DE,E,ED,IT,ND,U
		18	94050-10000	NUT, FLANGE, 10MM	2		
		19	95001-75500-40	TUBE, FUEL, 7.3X500	1		
		20	95001-75850-40	TUBE, FUEL, 7.5X850	1		
		21	95002-02120	CLIP B12, TUBE	3		
		22	95700-06020-00	BOLT, FLANGE, 6X20	2		

K 2

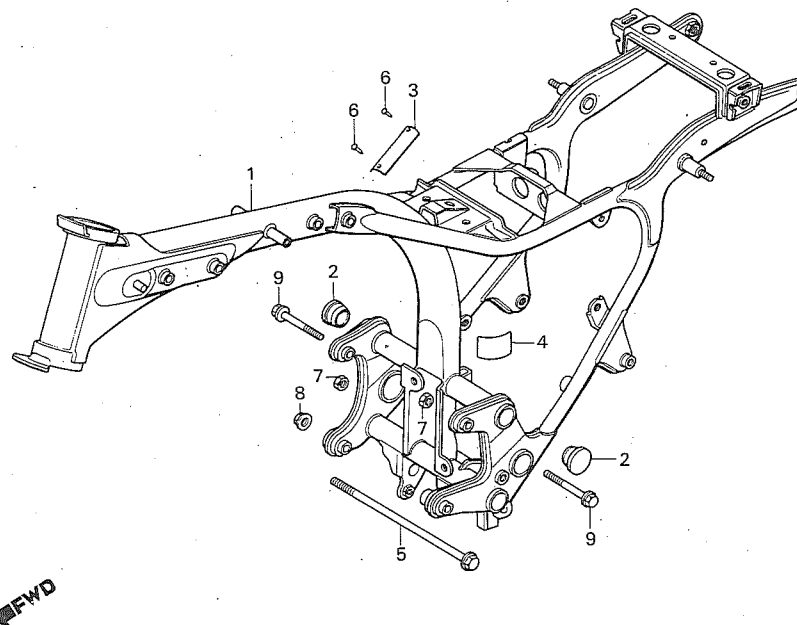
F-30

Frame body

Cadre

Rahmen

Cuerpo de cuadro



B449-22

Service item	F.R.T.	Ref. No.	Part No.	Description	Reqd. No. CX500Cc	Serial No.	Area code
BODY COMP., FRAME	*8.0	1	50100-449-850ZA	BODY COMP., FRAME *NH-1*	1		CM,U
			50100-449-860ZA	BODY COMP., FRAME *NH-1*	1		DE,E,ED,F,IT
			50100-449-870ZA	BODY COMP., FRAME *NH-1*	1		ND,1G,2G
		2	52161-051-000	CAP, CROSS MEMBER SIDE	2		
		3	87501-449-600	PLATE, REGISTERED NUMBER	1		DE,E,ED,F,IT,ND,1G,2G
		4	87506-449-750	MARK, BATTERY CAUTION	1		CM,DE,E,ED,IT,ND,U,1G,2G
			87506-449-760	MARK, BATTERY CAUTION	1		CM,F
		5	90110-415-000	BOLT, FLANGE, 12X308	1		
		6	90841-001-000	SCREW, RIVET, 1.5X5	2		DE,E,ED,F,IT,ND,1G,2G
7	94030-10000	NUT, HEX., 10MM	2				
8	94050-12000	NUT, FLANGE, 12MM	1				
9	95800-10070-00	BOLT, FLANGE, 10X70	2				

K 3

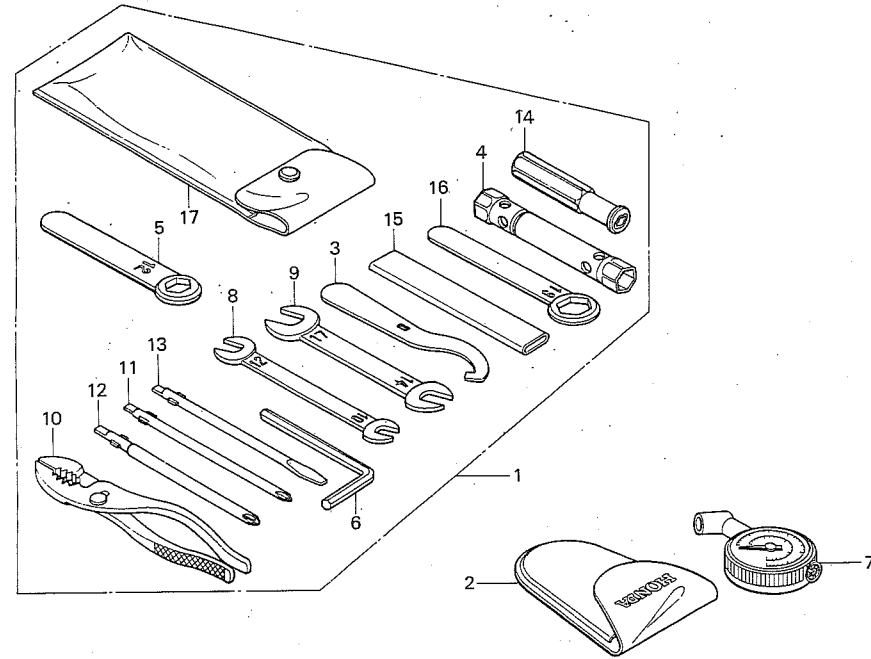
F-31

Tool

Outils

Werkzeug

Herramientas



B470-25

Service item	F.R.T.	Ref. No.	Part No.	Description	Reqd. No. CX500Cc	Serial No.	Area code
		1	89010-415-000	TOOL SET	1		
		2	89102-469-003	BAG, AIR PRESSURE GAUGE	(1)		CM
		3	89215-404-670	SPANNER, PIN	1		
		4	89216-415-000	WRENCH, BOX, 18.5X17	1		
		5	89217-415-000	WRENCH, EYE, 12MM	1		
		6	89221-371-000	WRENCH, HEX., 6MM	1		
		7	89301-461-003	GAUGE, AIR PRESSURE	(1)		CM
		8	99001-10120	SPANNER, 10X12	1		
		9	99001-14170	SPANNER, 14X17	1		
		10	99002-13500	PLIERS, 135	1		
		11	99003-10000	DRIVER 2, PLUS SCREW	1		
		12	99003-20000	DRIVER 3, PLUS SCREW	1		
		13	99003-30000	DRIVER 2, MINUS SCREW	1		
		14	99003-50000	GRIP	1		
		15	99006-12000	HANDLE, EYE WRENCH, 120MM	1		
		16	99006-19000	WRENCH, EYE, 19MM	1		
		17	99008-02000	BAG, TOOL, 200MM	1		



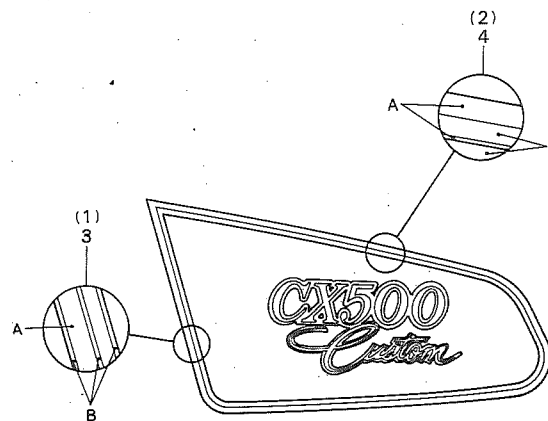
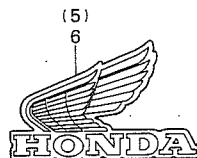
F-32

Side cover stripe

Raie de couvercle latéral

Seitendeckelstreifen

Franja de cubierta lateral



B449-23

Service item	F.R.T.	Ref. No.	Part No.	Description	Reqd. No. CX500Cc	Serial No.	Area code																																		
<p>Color chart for side cover stripe (CX500Cc-CM)</p> <table border="1"> <thead> <tr> <th rowspan="2">Type of stripe</th> <th colspan="2">Position</th> <th rowspan="2">A</th> <th rowspan="2">B</th> </tr> <tr> <th colspan="2">Main color</th> </tr> </thead> <tbody> <tr> <td>TYPE 1</td> <td>Candy muse red-U</td> <td>Candy red</td> <td>Red metallic</td> <td></td> </tr> <tr> <td>TYPE 2</td> <td>Cosmo black metallic-U</td> <td>Gray metallic</td> <td>Silver metallic</td> <td></td> </tr> </tbody> </table> <p>Color chart for side cover stripe (CX500Cc-DE, E, ED, F, IT, ND, U, 1G, 2G)</p> <table border="1"> <thead> <tr> <th rowspan="2">Type of stripe</th> <th colspan="2">Position</th> <th rowspan="2">A</th> <th rowspan="2">B</th> </tr> <tr> <th colspan="2">Main color</th> </tr> </thead> <tbody> <tr> <td>TYPE 1</td> <td>Candy bourgogne red-U</td> <td>Gold</td> <td>R-4M (P)</td> <td></td> </tr> <tr> <td>TYPE 2</td> <td>Candy universal bleu-U</td> <td>Gold</td> <td>B-1M (P)</td> <td></td> </tr> </tbody> </table>	Type of stripe	Position		A	B	Main color		TYPE 1	Candy muse red-U	Candy red	Red metallic		TYPE 2	Cosmo black metallic-U	Gray metallic	Silver metallic		Type of stripe	Position		A	B	Main color		TYPE 1	Candy bourgogne red-U	Gold	R-4M (P)		TYPE 2	Candy universal bleu-U	Gold	B-1M (P)			1	83541-449-840ZA	STRIPE, R. SIDE COVER (A.M.) *TYPE 1*	1		CM
		Type of stripe	Position			A	B																																		
	Main color																																								
	TYPE 1	Candy muse red-U	Candy red	Red metallic																																					
	TYPE 2	Cosmo black metallic-U	Gray metallic	Silver metallic																																					
	Type of stripe	Position		A	B																																				
Main color																																									
TYPE 1	Candy bourgogne red-U	Gold	R-4M (P)																																						
TYPE 2	Candy universal bleu-U	Gold	B-1M (P)																																						
			83541-449-840ZB	STRIPE, R. SIDE COVER (A.M.) *TYPE 2*	1		CM																																		
		2	83541-449-860ZA	STRIPE, R. SIDE COVER *TYPE 1*	1		DE, E, ED, F, IT, ND, U, 1G, 2G																																		
			83541-449-860ZB	STRIPE, R. SIDE COVER *TYPE 2*	1		DE, E, ED, F, IT, ND, U, 1G, 2G																																		
		3	83641-449-840ZA	STRIPE, L. SIDE COVER (A.M.) *TYPE 1*	1		CM																																		
			83641-449-840ZB	STRIPE, L. SIDE COVER (A.M.) *TYPE 2*	1		CM																																		
		4	83641-449-860ZA	STRIPE, L. SIDE COVER *TYPE 1*	1		DE, E, ED, F, IT, ND, U, 1G, 2G																																		
			83641-449-860ZB	STRIPE, L. SIDE COVER *TYPE 2*	1		DE, E, ED, F, IT, ND, U, 1G, 2G																																		
		5	87121-449-300	EMBLEM, R. FUEL TANK	1		CM																																		
		6	87122-449-300	EMBLEM, L. FUEL TANK	1		CM																																		



HONDA

HONDA MOTOR CO., LTD. TOKYO, JAPAN

13449C41

英 仏 独 西 SK A10008109
PRINTED IN JAPAN