



**HONDA**

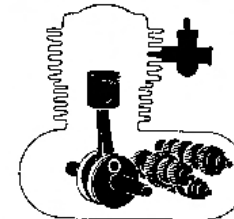
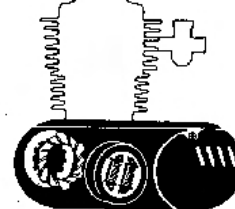
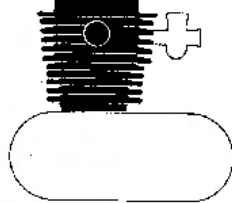
**CX400Ec  
CX500Ec**



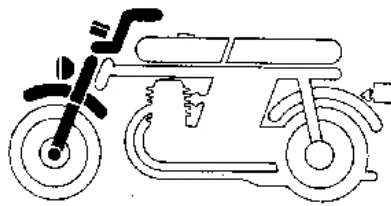
**PARTS CATALOGUE  
CATALOGUE DE PIÈCES  
TEILE KATALOG  
CATALOGO DE PIEZAS**

**1**

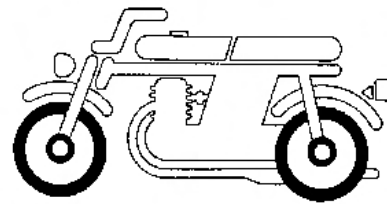
**INDICE****INDEX****INDEX****INDEX****INDICE DE BLOQUES****BLOCKINDEX****INDEX DES BLOCS****BLOCK INDEX****1****INSTRUCCIONES****EINFÜHRUNG****INSTRUCTIONS****INSTRUCTIONS****(Uso de catalogo  
de piezas)****(Verwendung  
dem Teile-Katalog)****(Mode d'emploi  
du catalogue de pièces)****(Use of parts catalogue)****2****GRUPO DE MOTOR****MOTORGRUPPE****GROUPE MOTEUR****ENGINE GROUP****3****GRUPO  
DE BASTIDOR****RAHMENGRUPPE****GROUPE CADRE****FRAME GROUP****4****INDICE DE No.  
DE PIEZA****TEILE-Nr. INDEX****INDEX DE No  
DE PIECE****PART No. INDEX****5**



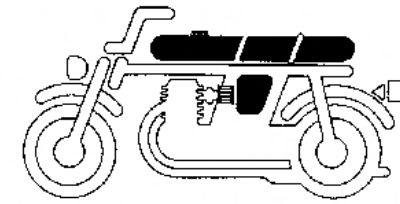
<p>E-1 Radiator · Cooling fan ..... C 2            E-2 Thermostat · Water pipe ..... C 4            E-3 Cylinder head cover ..... C 6            E-4 Right cylinder head ..... C 7            E-5 Left cylinder head ..... C 9            E-6 Valve · Upper rocker arm ..... C11            E-7 Camshaft · Lower rocker arm ..... C12</p>	<p>E-8 Clutch cover · Oil filter ..... C14            E-9 Transmission cover ..... C15            E-10 Clutch ..... C16            E-11 Oil pump · Primary drive gear ..... D 2            E-12 Water pump ..... D 4            E-13 Starting motor ..... D 6            E-14 Rear cover ..... D 7            E-15 Generator ..... D 8            E-16 Cam chain · Tensioner ..... D10            E-17 Final shaft ..... D11            E-18 Cylinder block ..... D12</p>	<p>E-19 Crankshaft · Piston ..... D14            E-20 Transmission ..... D16            E-21 Shift drum · Shift fork ..... E 2            E-22 Carburetor ..... E 5            EOP-1 Gasket Ket A ..... E 8            EOP-2 Gasket Ket B ..... E 9</p>
<p>E-1 Radiateur · Ventilateur ..... C 2            E-2 Thermostat · Tuyau d'eau ..... C 4            E-3 Couvercle de culasse ..... C 6            E-4 Culasse droit ..... C 7            E-5 Culasse gauche ..... C 9            E-6 Soupape · Culbuteur supérieur ..... C11            E-7 Arbre à cames · Culbuteur inférieur ..... C12</p>	<p>E-8 Couvercle d'embrayage · Filtre à huile ..... C14            E-9 Couvercle de transmission ..... C15            E-10 Embrayage ..... C16            E-11 Pompe à huile · Pignon commande primaire ..... D 2            E-12 Pompe à eau ..... D 4            E-13 Moteur démarrage ..... D 6            E-14 Couvercle arrière ..... D 7            E-15 Générateur ..... D 8            E-16 Chaîne de cames · Tendeur ..... D10            E-17 Arbre final ..... D11            E-18 Bloc moteur ..... D12</p>	<p>E-19 Vilebrequin · Piston ..... D14            E-20 Transmission ..... D16            E-21 Tambour de changement de vitesse · Fourchette            de changement ..... E 2            E-22 Carburateur ..... E 5            EOP-1 Trousse de joint A ..... E 8            EOP-2 Trousse de joint B ..... E 9</p>
<p>E-1 Kühler · Kühlgebläse ..... C 2            E-2 Thermostat · Wasserrohr ..... C 4            E-3 Zylinderkopfdeckel ..... C 6            E-4 Rechter Zylinderkopf ..... C 7            E-5 Linker Zylinderkopf ..... C 9            E-6 Ventil · Oberer Kipphebel ..... C11            E-7 Nockenwelle · Unterer Kipphebel ..... C12</p>	<p>E-8 Kupplungsdeckel · Ölfilter ..... C14            E-9 Getriebedeckel ..... C15            E-10 Kupplung ..... C16            E-11 Ölpumpe · Primäres Antriebszahnrad ..... D 2            E-12 Wasserpumpe ..... D 4            E-13 Anlassermotor ..... D 6            E-14 Hinterdeckel ..... D 7            E-15 Lichtmaschine ..... D 8            E-16 Steuerkette · Spanner ..... D10            E-17 Endwelle ..... D11            E-18 Zylinderblock ..... D12</p>	<p>E-19 Kurbelwelle · Kolben ..... D14            E-20 Getriebe ..... D16            E-21 Schaltwalze · Schaltgabel ..... E 2            E-22 Vergaser ..... E 5            EOP-1 Dichtung Satz A ..... E 8            EOP-2 Dichtung Satz B ..... E 9</p>
<p>E-1 Radiator · Ventilador ..... C 2            E-2 Termóstato · Tubo de agua ..... C 4            E-3 Cubierta de culata ..... C 6            E-4 Culata derecha ..... C 7            E-5 Culata izquierda ..... C 9            E-6 Válvula · Balancín superior ..... C11            E-7 Arbol de levas · Balancín inferior ..... C12</p>	<p>E-8 Cubierta de embrague · Filtro de aceite ..... C14            E-9 Cubierta de transmisión ..... C15            E-10 Embrague ..... C16            E-11 Bomba de aceite · Engranaje de mando primario ..... D 2            E-12 Bomba de agua ..... D 4            E-13 Motor de arranque ..... D 6            E-14 Cubierta trasera ..... D 7            E-15 Generador ..... D 8            E-16 Cadena de levas · Tensionador ..... D10            E-17 Eje final ..... D11            E-18 Bloque de cilindro ..... D12</p>	<p>E-19 Cigüeñal · Pistón ..... D14            E-20 Transmisión ..... D16            E-21 Tambor do cambio · Horquilla de cambio ..... E 2            E-22 Carburador ..... E 5            EOP-1 Equipode empacadura A ..... E 8            EOP-2 Equipode empacadura B ..... E 9</p>



F-1	Headlight	F 2
F-2	Meter	F 5
F-3	Handle lever • Switch • Cable	F 8
F-4	Front brake master cylinder	F11
F-5	Handle pipe • Top bridge	F13
F-6	Steering stem	F16
F-7	Front fender	G 2
F-8	Front fork	G 3



F-9	Front brake caliper	G 9
F-10	Front wheel • Disk	G11
F-11	Rear brake caliper	G13
F-11-1	Rear brake master cylinder	G15
F-12	Rear wheel	H 1
F-13	Final driven gear	H 3



F-14	Fuel tank	H10
F-15	Seat	H13
F-16	Side cover • Battery	H16
F-17	Electric plate	I 3
F-18	Air cleaner	I 6

F-1	Phare	F 2
F-2	Compteurs	F 5
F-3	Levier de poignée • Interrupteur • Câble	F 8
F-4	Maître cylindre de frein avant	F11
F-5	Guidon • Haut de fourche	F13
F-6	Tige de direction	F16
F-7	Garde-boue avant	G 2
F-8	Fourche avant	G 3

F-9	Etrier de frein avant	G 9
F-10	Roue avant • Disque	G11
F-11	Etrier de frein arrière	G13
F-11-1	Maître cylindre de frein arrière	G15
F-12	Roue arrière	H 1
F-13	Engrenages de réduction finale	H 3

F-14	Réservoir d'essence	H10
F-15	Siège	H13
F-16	Couvercle latéral • Batterie	H16
F-17	Plaque électrique	I 3
F-18	Filtre à air	I 6

F-1	Scheinwerfer	F 2
F-2	Messer	F 5
F-3	Lenkstangenhebel • Schalter • Kabel	F 8
F-4	Vorderredbremse Hauptzylinder	F11
F-5	Lenkrohr • Obere Brücke	F13
F-6	Steuerkopfschaft	F16
F-7	Vorderer Kotflügel	G 2
F-8	Vordergabel	G 3

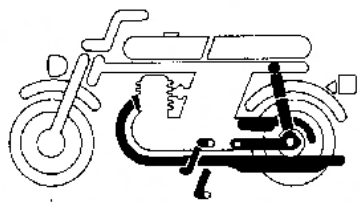
F-9	Vorderradbremssattel	G 9
F-10	Vorderrad • Bremsscheibe	G11
F-11	Hinterradbremssattel	G13
F-11-1	Hinterradbremse-Hauptzylinder	G15
F-12	Hinterrad	H 1
F-13	Endabtriebsgetriebe	H 3

F-14	Benzintank	H10
F-15	Sitz	H13
F-16	Seitendeckel • Batterie	H16
F-17	Elektrische Platte	I 3
F-18	Luftfilter	I 6

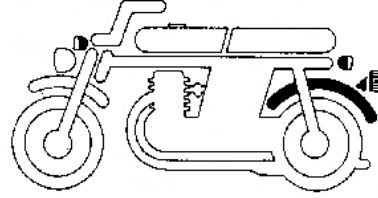
F-1	Faro delantero	F 2
F-2	Medidor	F 5
F-3	Palanca de manubrio • Interruptor • Cable	F 8
F-4	Cilindro maestro de freno delantero	F11
F-5	Tubo do manubrio • Puente superior	F13
F-6	Varilla de dirección	F16
F-7	Parafango delantero	G 2
F-8	Horquilla delantero	G 3

F-9	Calibrador de freno delantero	G 9
F-10	Rueda delantera • Disco	G11
F-11	Calibrador defreno trasero	G13
F-11-1	Cilindro maestro de freno trasero	G15
F-12	Rueda trasera	H 1
F-13	Engranaje mandado final	H 3

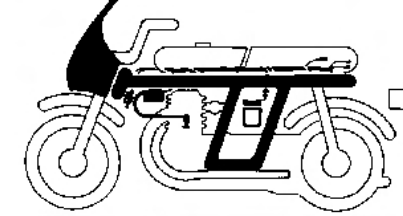
F-14	Tanque de combustible	H10
F-15	Asiento	H13
F-16	Cubierta lateral • Batería	H16
F-17	Placa electrica	I 3
F-18	Limpiador de aire	I 6



F-19	Exhaust muffler	I 8
F-20	Brake pedal · Change pedal	I11
F-21	Step	I12
F-22	Stand	I15
F-23	Rear fork	J 1
F-24	Rera cushion	J 4



F-25	Rear fender	J 7
F-26	Winker	J10
F-27	Taillight	J14



F-28	Wire harness · Ignition coil	J16
F-29	Radiator shroud · Reserre tank	K 1
F-30	Frame body	K 3
F-31	Tool	K 5
F-32	Headlight cover	K 7
F-33	Color chart	K 9

F-19	Pot d'échappement	I 8
F-20	Pédale de frein · Pédale de changement	I11
F-21	Repose pieds	I12
F-22	Bequille	I15
F-23	Fourche arrière	J 1
F-24	Amortisseur arrière	J 4

F-25	Garde-boue arrière	J 7
F-26	Clignotant	J10
F-27	Feu arrière	J14

F-28	Faisceau électrique · Bobine d'allumage	J16
F-29	Buse de radiateur · Réservoir	K 1
F-30	Cadre	K 3
F-31	Outils	K 5
F-32	Phare supérieur	K 7
F-33	Table de couleur	K 9

F-19	Auspufftopf	I 8
F-20	Bremspedal · Schaltpedal	I11
F-21	Tritt	I12
F-22	Ständer	I15
F-23	Hintere Schwinge	J 1
F-24	Hintere Stoßdämpfer	J 4

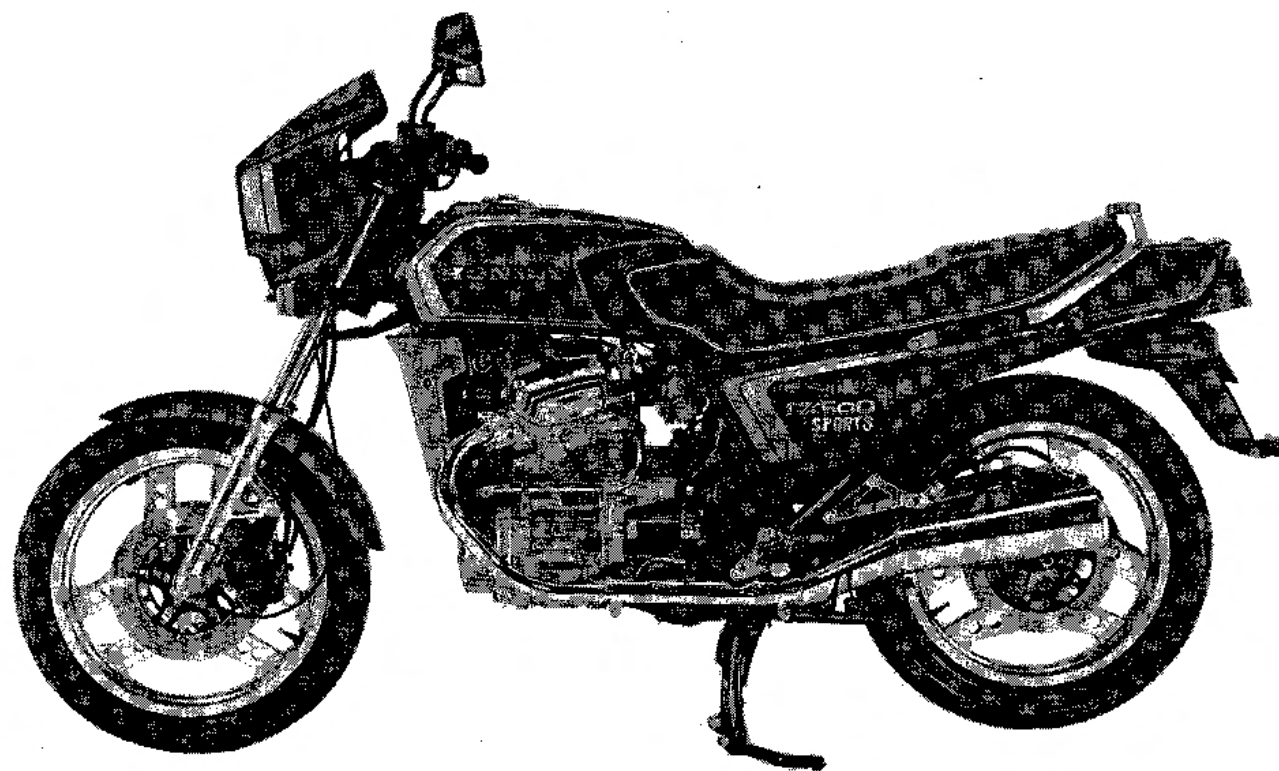
F-25	Hinterer Kotflügel	J 7
F-26	Rlinker	J10
F-27	Rücklicht	J14

F-28	Kabelbaum · Zündspule	J16
F-29	Kühlerhaube · Reservetank	K 1
F-30	Rahmen	K 3
F-31	Werkzeug	K 5
F-32	Scheinwerferdeckel	K 7
F-33	Farbentabelle	K 9

F-19	Silenciador	I 8
F-20	Pedal de freno · Pedal de cambio	I11
F-21	Estribo	I12
F-22	Estante	I15
F-23	Horquilla trasera	J 1
F-24	Amortiguador trasero	J 4

F-25	Parafango trasero	J 7
F-26	Luz intermitente	J10
F-27	Luz trasera	J14

F-28	Equipo de alambre · Bobina de encendido	J16
F-29	Pestana de radiador · Depósito de reserra	K 1
F-30	Cuerpo de cuadro	K 3
F-31	Herramientas	K 5
F-32	Faro delantero superior	K 7
F-33	Tabla de color	K 9



**CX500Ec-E**



### 3. Abbreviations

The following abbreviations are used in this parts catalogue.

ASSY. ....	Assembly	KPH .....	Kilometers per hour
COMP. ....	Complete	MPH .....	Miles per hour
R. ....	Right	L (100L) .....	Link (100Links)
L. ....	Left	A.C. ....	Alternating current
STD. ....	Standard	D.C. ....	Direct current
MM .....	Millimeter	IN. ....	Inlet
G .....	Gram	EX. ....	Exhaust
T (22T) .....	Tooth (22Teeth)	FR. ....	Front
A .....	Ampere	RR. ....	Rear
V .....	Volt	HEX. ....	Hexagonal
W .....	Watt	A.M. ....	Attaching mark
		T.M. ....	Transcript mark

### 4. Dimensions

All dimensions are given in millimeters (mm) except in the case of steel balls, tires and tire tubes.

Parts	Example	Interpretation
Bolt (Screw)	6×12	6mm diameter, 12mm length
Pin	8×14	8mm diameter, 14mm length
O-Ring	9.5×1.6	9.5mm diameter, 1.6mm thickness
Oil seal	14×24×5	14mm inside diameter, 24mm outside diameter, 5mm thickness
Tube	5×130	5mm inside diameter, 130mm length

### 5. Supersedence of parts

Part numbers given under the part name in the "Description" column indicate that the part number has been superseded by that part number. HONDA may make such supersedence without notice.

### 6. Assemblies

Sections framed with broken lines in the exploded view drawings are available as complete assemblies. (Their individual parts can also be obtained.)

### 7. Required quantity

The number given in the "Reqd. No." column indicates the quantity of parts used in the section described in that block.

Parts with quantities in ( ) represent optional parts.

"N" means order as needed.

### 8. Part modifications and applicable serial numbers

In cases where a part has been modified, the serial number of the first vehicle (or frame, engine, carburetor, final driven gear) bearing the modification is listed in the "Serial No." column.

### 9. Models, area codes and applicable serial numbers

Models, area codes and applicable serial Nos. given in this parts catalogue can be identified as follows.

Parts with area codes are exclusive for models destined for countries designated.

If no area codes are listed, parts are for common use.

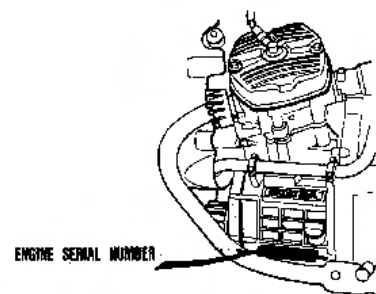


Model	Area code	Type	Applicable engine serial No.	Applicable frame serial No.	Applicable carburetor identification No.
CX400Ec	F	France	This type is not yet produced.		
	E	England	PC02E-4003828~	PC06-2000029~	VB1AA <u>A</u> ~
	ED	European direct sales	PC02E-4004234~	PC06-2000035~	
	F	France	PC02E-4003831~	PC06-2000032~	
	IT	Italy	PC02E-4004334~	PC06-2000135~	
CX500Ec	ND	Northern Europe	This type is not yet produced.		
	SW	Switzerland	PC02E-4004734~	PC06-2000535~	VB1AA <u>A</u> ~
	U	Australia	This type is not yet produced.		
	1G	Germany (*1)	PC02E-3000210~	PC06-2000610~	VB1AB <u>A</u> ~
	2G	Germany (*2)	PC02E-4004809~	PC06-3000004~	VB1AC <u>A</u> ~

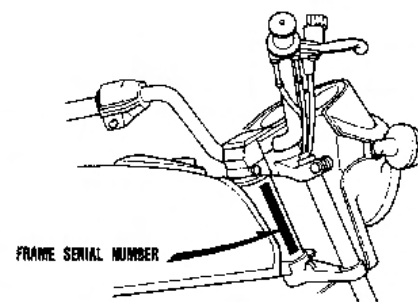
\* Of carburetor identification numbers, only the portions underlined in the example below are used for registration.

VB1BA A KC ア

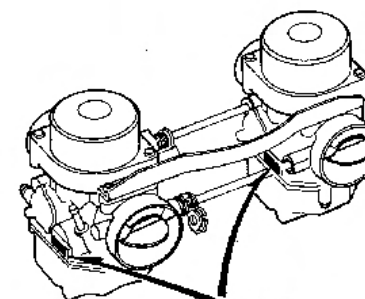
### 10. Location of stamped serial number



B415-0A



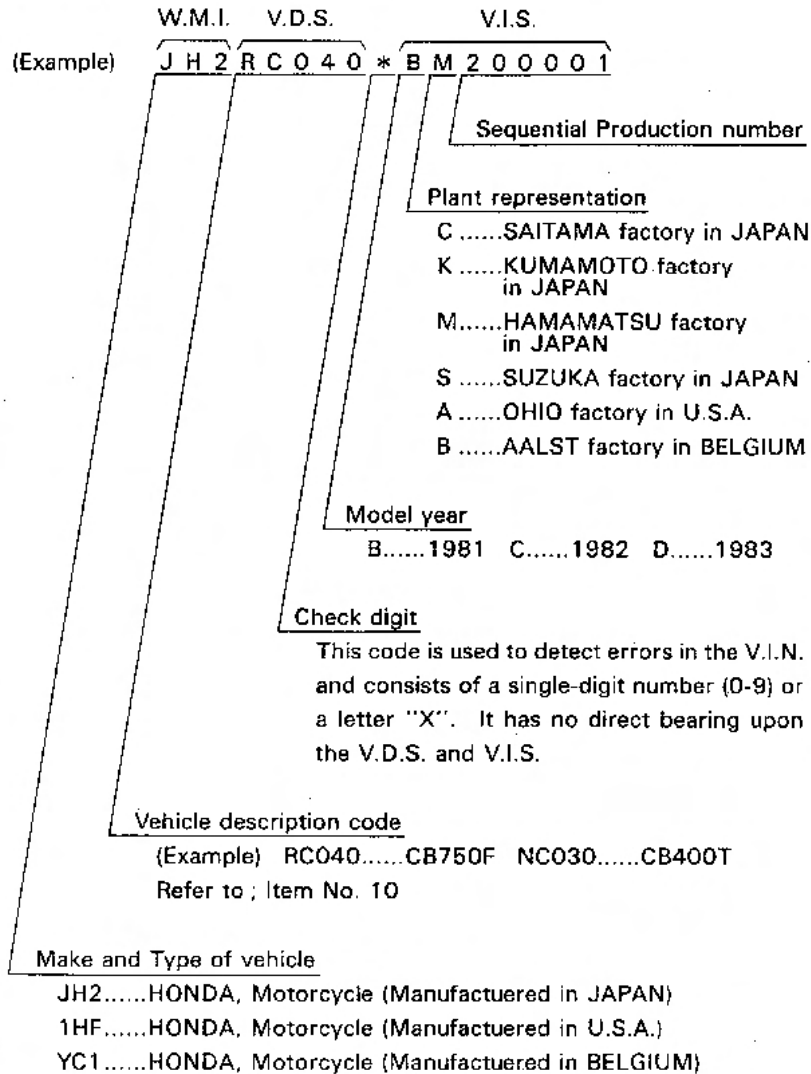
B415-0B



CARBURETOR IDENTIFICATION NUMBER

B415-0C

11. Construction of vehicle identification number (V.I.N.)



W.M.I. ....World manufacturer identifier  
 V.D.S. ....Vehicle descriptor section  
 V.I.S. ....Vehicle indicator section

Any change or modification of parts is directly related to the V.D.S. and V.I.S. A V.I.S. number will appear in the "Serial No." column of the Parts Catalog if a part is changed or modified.

### III. How to use the flat rate time (F.R.T.)

This F.R.T. (Flat Rate Time) is used to determine the standard labor time allowed for replacement of parts covered by the warranty during the period the warranty is in effect. The F.R.T. for those parts which are not listed herein should be determined from the operation closely related to the replacement of that part.

#### 1. The F.R.T. is based on the following servicing conditions

- A liberal allowance is added to the net servicing time.
- Standard times specified are based on the condition that the necessary servicing tools listed in the service manual (motorcycle) which describes the HONDA service policy are available close at hand and the work performed by a mechanic with normal skill.
- Time required for inspection and operational test following the servicing is included in the F.R.T.

#### 2. Method of computing

The job times are listed in tenth of an hour to simplify computation.

- (Example) 0.3 = 18 minutes  
5.6 = 5 hours and 36 minutes

CONVERSION CHART			
Hours	Minutes	Hours	Minutes
0.1	6	0.6	36
0.2	12	0.7	42
0.3	18	0.8	48
0.4	24	0.9	54
0.5	30	1.0	60

#### 3. Computing the F.R.T.

When several jobs are performed at the same time, make the calculation in the following manner.

##### a. Jobs of non duplicated nature

The F.R.T. for the job is obtained by totalling the F.R.T. for each part replaced.

(Example) Replacement of cylinder and clutch spring.

Service item	F.R.T.
Cylinder head	2.3
Clutch spring	0.4

The F.R.T. for the job is:  $2.3 + 0.4 = 2.7$

##### b. Jobs of duplicated nature

Take the F.R.T. for the last part to be replaced.

(Example) Replacement of cylinder head gasket and piston.

Service item	F.R.T.
Cylinder head gasket	1.4
Piston	2.7

The F.R.T. for the job is: 2.7

##### c. Jobs of partially related nature

Total up the F.R.T. for all of the parts replaced and then subtract the F.R.T. for the duplicated operation.

(Example) Replacement of gearshift drum and crankshaft assembly.

Service item	F.R.T.
Gearshift drum	* 3.7
Cam chain	* 3.5
Cover RR. Separation	* 3.1

The F.R.T. for the job is:  $(3.7 + 3.5) - 3.1 = 4.1$

Cover RR. Separation is the duplicated operations.

- The F.R.T. shown with (\*) includes engine removal and installation

4. Operations other than replacing parts.

a. Removal and installation

No.	Service item	F.R.T.
1	Engine	2.7
2	Cylinder head	1.4
3	Carburetor	0.6
4	Radiator	0.6
5	Final driven gear	0.5

b. Adjustment, measurement and cleaning

Engine

No.	Service item	F.R.T.
1	Spark plug-adjustment and cleaning	0.2
2	Tappet adjustment	0.7
3	Carburetor idle-adjustment	0.1
4	Engine oil-inspection (excluding oil change)	0.1
5	Clutch-adjustment	0.1
6	Cleaner element-cleaning	0.1
7	Compression-pressure measurement	0.2
8	Battery-checking of electrolyte level and gravity	0.2
9	Carburetor-float level measurement	0.7
10	Oil filter cleaning	0.2
11	Throttle operation-adjustment	0.1
12	Carburetor synchronization-adjustment	0.3
13	Exterior of radiator core-cleaning	0.3

Frame

No.	Service item	F.R.T.
1	Front brake-air bleeding	0.2
2	Rear brake air bleeding	0.2
3	Brake-operation test	0.1
4	Headlight-aimings	0.1
5	Front wheel balance	0.8
6	Rear wheel balance	0.9

c. Overhaul

No.	Service item	F.R.T.
1	Carburetor	1.6
2	Final driven gear	2.2

January 10, 1982.  
HONDA MOTOR CO.,LTD.

MEMO

**C 2**

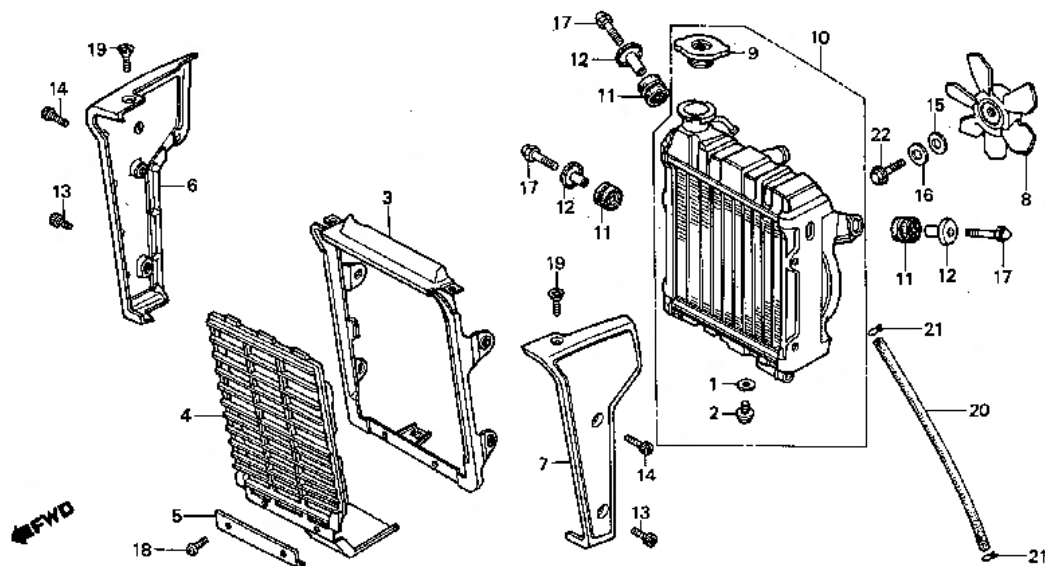
**E-1**

Radiator • Cooling fan

Radiateur • Ventilateur

Kühler • Kühlgebläse

Radiador • Ventilador



BMC5-1

Service item	F.R.T.	Ref. No.	Part No.	Description	Rad. No.		Serial No.	Area code
					400	500		
GRILLE COMP., RADIATOR • PLATE, R. SIDE RADIATOR • CAP COMP., RADIATOR COVER COMP., RADIATOR FAN COMP., COOLING • RADIATOR ASSY.	0.1	1	19012-611-003	GASKET, DRAIN COCK	1	1		
		2	19013-415-004	COCK, DRAIN	1	1		
	0.2	3	19031-MC5-000	COVER COMP., RADIATOR	1	1		
		4	19032-449-300	GRILLE COMP., RADIATOR	1	1		
	0.6	5	19033-470-670	COVER, RADIATOR LOWER	1	1		
		6	19035-MC5-000	PLATE, R. RADIATOR SIDE	1	1		
	7	19036-MC5-000	PLATE, L. RADIATOR	1	1			
	8	19040-MA1-000	FAN COMP., COOLING	1	1			
	9	19045-449-770	CAP COMP., RADIATOR	1	1			
	10	19110-MC5-000	RADIATOR ASSY.	1	1			
		11	19115-415-300	RUBBER, RADIATOR MOUNTING	3	3		
		12	19119-449-000	COLLAR, RADIATOR MOUNTING	3	3		
		13	90116-MC5-000	BOLT, SOCKET, 6X12	2	2		



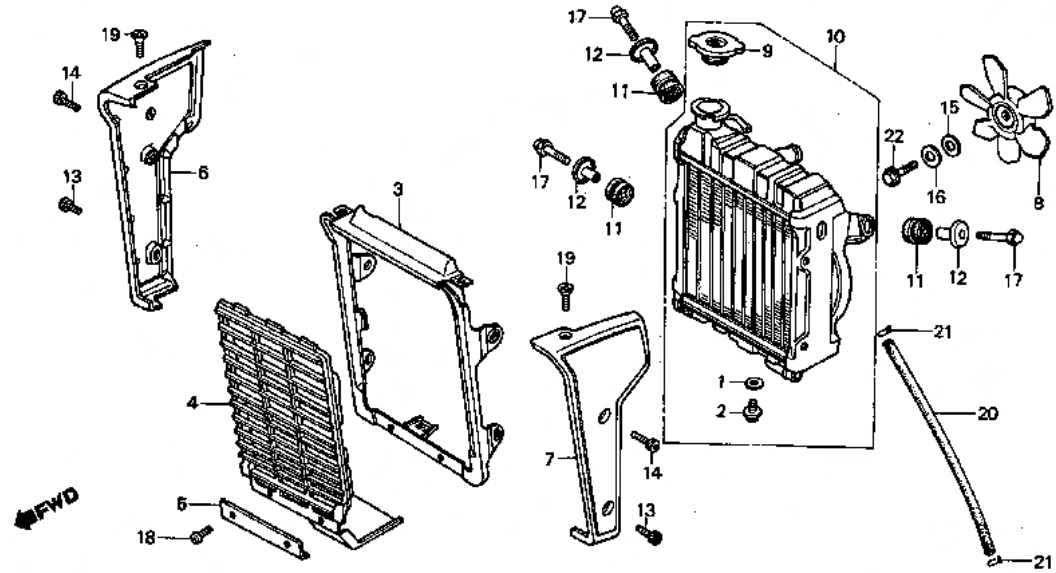
### E-1

Radiator · Cooling fan

Radiateur · Ventilateur

Kühler · Kühlgebläse

Radiador · Ventilador



BMC5-1

Service item	F.R.T.	Ref. No.	Part No.	Description	Reqd. No. CX 400 500	Serial No.	Area code
		14	90117-MC5-000	BOLT, SOCKET, 6X16-5	2 2		
		15	90401-415-000	WASHER, LOCK	1 1		
		16	90509-642-000	WASHER, PLAIN, 8MM	1 1		
		17	92600-06032-00	BOLT, CAP, 6X32	3 3		
		18	93500-06012-08	SCREW, PAN, 6X12	2 2		
		19	93600-36012-08	SCREW, FLAT, 6X12	2 2		
		20	95001-75350-40	TUBE, FUEL, 7-3X350	1 1		
		21	95002-02120	CLIP 812, TUBE	2 2		
		22	95700-08028-00	BOLT, FLANGE, 8X28	1 1		



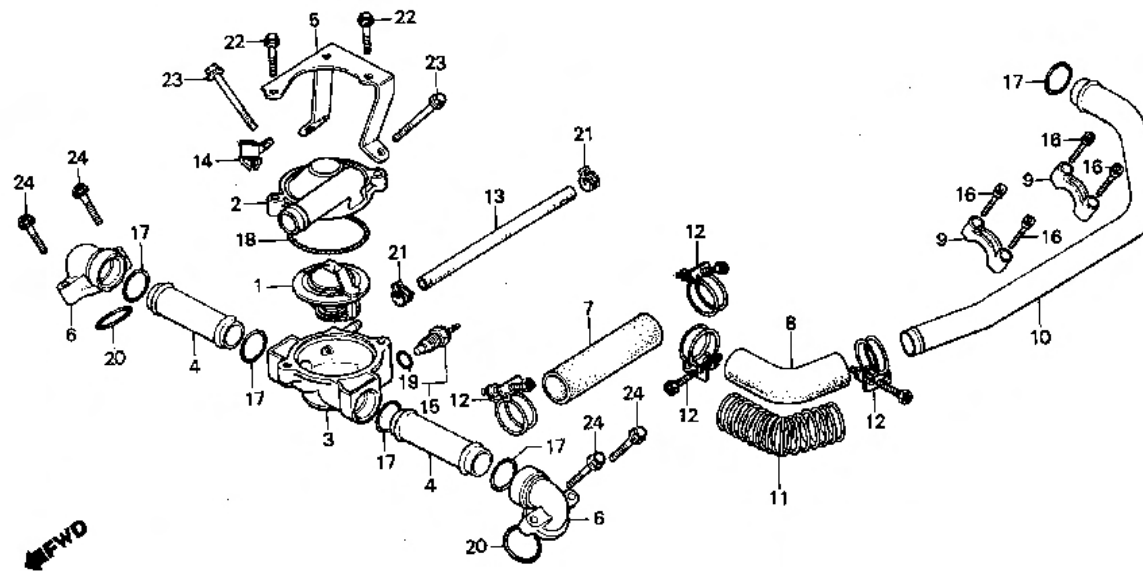
**E-2**

Thermostat • Water pipe

Thermostat • Tuyau d'eau

Thermostat • Wasserrohr

Thermòstato • Tubo de agua



BMA1-2A

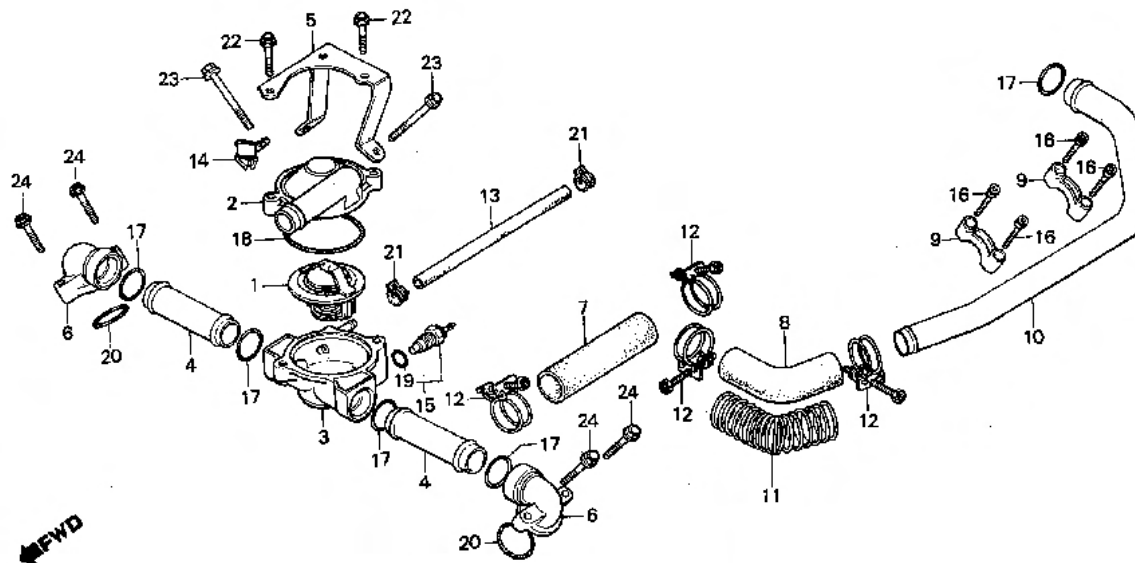
Service item	F.R.T.	Ref. No.	Part No.	Description	Reqd. No. CX 400 500	Serial No.	Area code
PIPE, UPPER WATER	0.2	1	19300-611-005	THERMOSTAT UNIT	1 1		
JOINT A, WATER PIPE		2	19315-MA1-000	COVER, THERMOSTAT	1 1		
TUBE, 5X240		3	19411-415-000	CASE, THERMOSTAT	1 1		
THERMOSTAT UNIT	0.3	4	19414-415-000	PIPE, UPPER WATER	2 2		
COVER, THERMOSTAT		5	19416-415-010	STAY, THERMOSTAT	1 1		
SENDING UNIT, WATER TEMPERATURE		6	19421-415-000	JOINT A, WATER PIPE	2 2		
CASE, THERMOSTAT	0.4	7	19501-MA1-000	HOSE, UPPER WATER	1 1		
HOSE, LOWER WATER		8	19502-415-000	HOSE, LOWER WATER	1 1		
PIPE, RR. WATER		9	19503-415-000	CLAMP, WATER PIPE	2 2		
HOSE, UPPER WATER	0.6	10	19504-415-000	PIPE, RR. WATER	1 1		
		11	19512-449-000	WIRE G, GUARD	1 1		
		12	19515-449-000	BAND, HOSE	4 4		
		13	19521-415-000	TUBE, 5X240	1 1		
		14	32111-333-000	CLAMPER A, CORD	1 1		
		15	37750-611-154	SENDING UNIT, WATER TEMPERATURE	1 1		
		16	90089-415-000	BOLT, SPECIAL, 5X22	4 4		
		17	91302-371-003	O-RING, 21.9X2.3	5 5		





**E-2**

Thermostat • Water pipe  
 Thermostat • Tuyau d'eau  
 Thermostat • Wasserrohr  
 Thermôstato • Tubo de agua



8MA1-2A

Service item	F.R.T.	Ref. No.	Part No.	Description	Reqd. No. C4 400 500	Serial No.	Area code
		18	91302-657-000	O-RING, 53.6X3.1	1 1		
		19	91307-611-000	O-RING, 13.5X1.4	1 1		
		20	94608-50000	O-RING, 23X2.8	2 2		
		21	95002-41050-08	CLIP D10.5, TUBE	2 2		
		22	95700-06025-00	BOLT, FLANGE, 6X25	2 2		
		23	95700-06050-00	BOLT, FLANGE, 6X50	2 2		
		24	95000-06025-00	BOLT, FLANGE, 6X25	4 4		

1962.01.10

C5

**C 7**

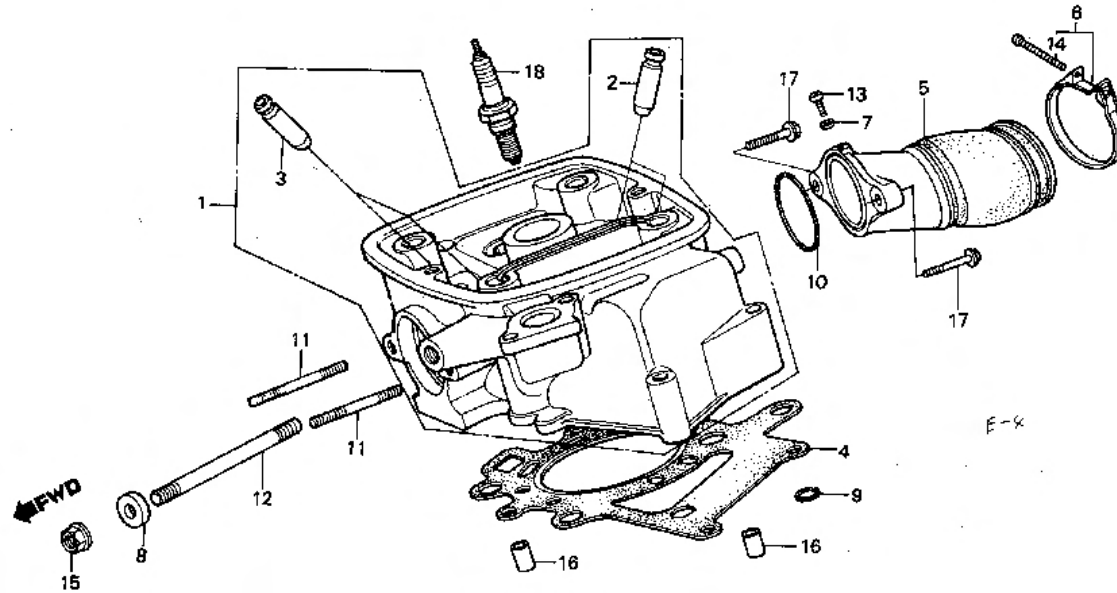
**E-4**

Right cylinder head

Culasse droit

Rechter Zylinderkopf

Culata drecha



BMA1-3A

Service item	F.R.T.	Ref. No.	Part No.	Description	Reqd. No.		Serial No.	Area code
					400	500		
INSULATOR, R. CARBURETOR	0.2	1	12200-MA1-000	HEAD COMP., R. CYLINDER	1	1		
BOLT, STUD, 6X55 (ADD 0.1 FOR EACH.)		2	12231-415-305	GUIDE, IN. VALVE	2	2		
GASKET, CYLINDER HEAD	1.4	3	12241-415-305	GUIDE, EX. VALVE	2	2		
GUIDE, IN. VALVE (INC. REAMING)	1.7	4	12251-415-014	GASKET, CYLINDER HEAD	1	1		
(ADD 0.2 FOR EACH.) (EXC. VALVE REFACING)		5	16211-KCB-000	INSULATOR, R. CARBURETOR	1			
(ADD MORE 0.2 IF PERFORMED.)			16211-MA1-000	INSULATOR, R. CARBURETOR		1		
HEAD COMP., R. CYLINDER	2.3	6	17255-356-000	BAND, CARBURETOR INSULATOR	1	1		
		7	90452-323-000	WASHER, THRUST, 5MM	1	1		
		8	90455-MA1-000	COLLAR, 22MM	1	1		
		9	91302-044-013	O-RING, 6.9X1.5	1	1		
		10	91325-567-005	O-RING, 40X2.4	1	1		
		11	92700-06055	BOLT, STUD, 6X55	2	2		
		12	92700-10100	BOLT, STUD, 10X100	1	1		
		13	93500-05008-0A	SCREW, PAN, 5X8	1	1		
		14	93500-05020-0G	SCREW, PAN, 5X20	1	1		
		15	94050-10000	NUT, FLANGE, 10MM	1	1		
		16	94301-08140	PIN A, DOWEL, 8X14	2	2		



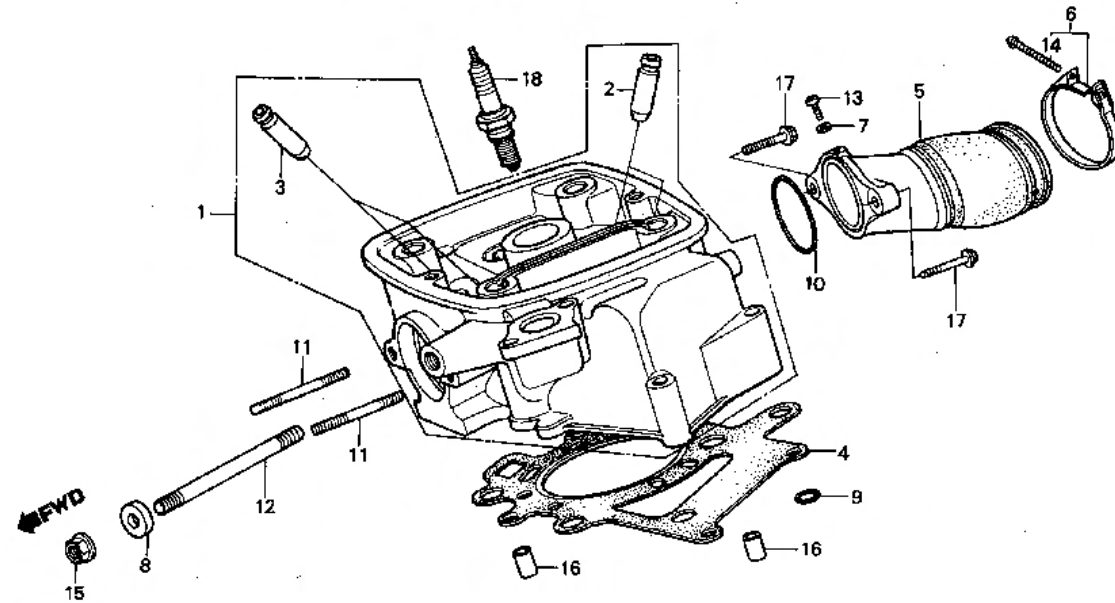
# E-4

Right cylinder head

Culasse droit

Rechter Zylinderkopf

Culata drecha



BMA1-3A

Service item	F.R.T.	Ref. No.	Part No.	Description	Head No.		Serial No.	Area code
					CX	500		
		17	96000-06022-00	BOLT, FLANGE, 6X22	2	2		
		18	98069-38716	PLUG, SPARK (UR8ES-L NGK)	1	1		
			98069-58716	PLUG, SPARK (UR8ES NGK)	(1)	(1)		
			98069-58726	PLUG, SPARK (X24ESR-U ND)	1	1		
			98069-59726	PLUG, SPARK (X27ESR-U ND)	(1)	(1)		



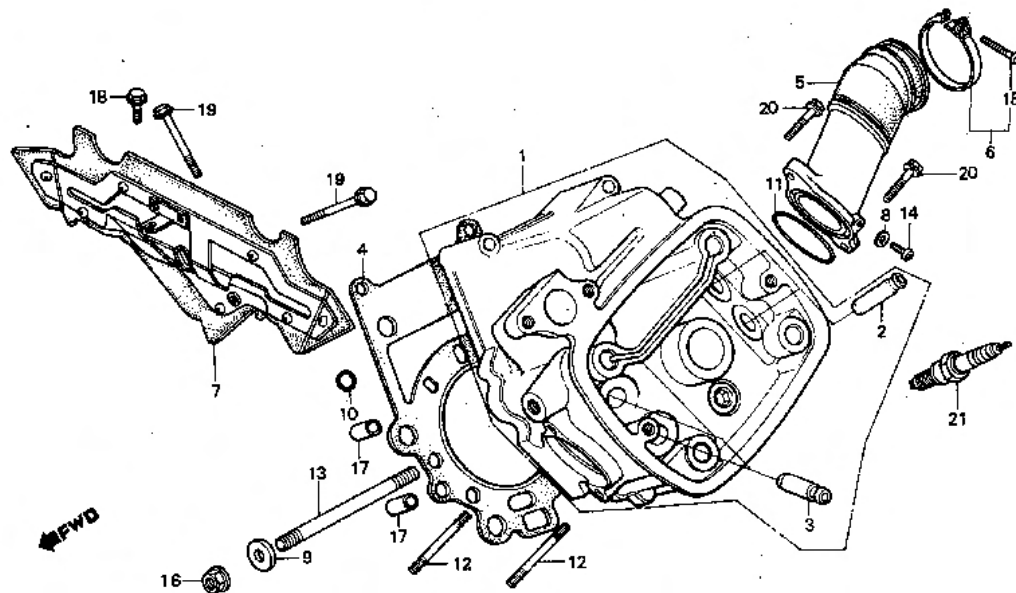
# E-5

Left cylinder head

Culasse gauche

Linker Zylinderkopf

Culata izquierda



BMA1-4A

Service item	F.R.T.	Ref. No.	Part No.	Description	Reqd. No.		Serial No.	Area code
					CX	500		
INSULATOR, L. CARBURETOR	0.2	1	12210-MA1-000	HEAD LUMP., L. CYLINDER	1	1		
BOLT, STUD, 6X55 (ADD 0.1 FOR EACH.)		2	12231-415-305	GUIDE, IN. VALVE	2	2		
SPOILER COMP., AIR	0.3	3	12241-415-305	GUIDE, EX. VALVE	2	2		
GASKET, CYLINDER HEAD	1.4	4	12251-415-014	GASKET, CYLINDER HEAD	1	1		
INSULATOR, L. CARBURETOR	1.7	5	16221-KC8-000	INSULATOR, L. CARBURETOR	1			
INSULATOR, L. CARBURETOR (INC. REAMING)			16221-MA1-000	INSULATOR, L. CARBURETOR		1		
(ADD 0.2 FOR EACH.) (EXC. VALVE REFACING)		6	17255-356-000	BAND, CARBURETOR INSULATOR	1	1		
(ADD MORE 0.2 IF PERFORMED.)		7	19530-MA1-000	SPOILER COMP., AIR	1	1		
HEAD COMP., L. CYLINDER	2.3	8	90452-323-000	WASHER, THRUST, 5MM	1	1		
		9	90455-MA1-000	COLLAR, 22MM	1	1		
		10	91302-044-013	O-RING, 6.9X1.5	1	1		
		11	91325-567-005	O-RING, 40X2.4	1	1		
		12	92700-06055	BOLT, STUD, 6X55	2	2		
		13	92700-10100	BOLT, STUD, 10X100	1	1		
		14	93500-05003-0A	SCREW, PAN, 5X8	1	1		
		15	93500-05020-0G	SCREW, PAN, 5X20	1	1		
		16	94050-10000	NUT, FLANGE, 10MM	1	1		

**C 10**

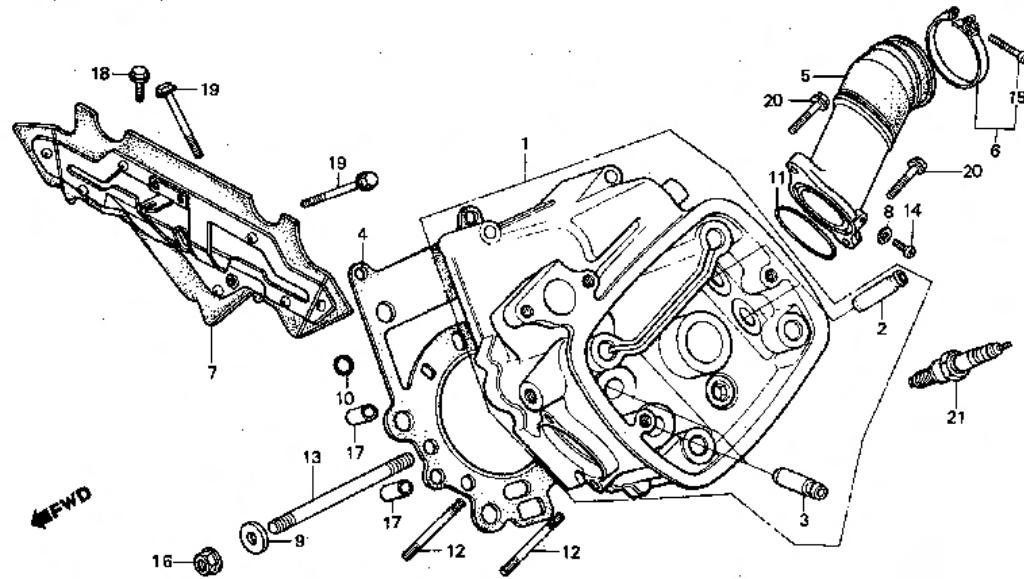
**E-5**

Left cylinder head

Culasse gauche

Linker Zylinderkopf

Culata izquierda



BMA1-4A

Service item	F.R.T.	Ref. No.	Part No.	Description	Reqd. No. Cx 400 500	Serial No.	Area code
		17	94301-08140	PIN A, DOWEL, 8X14	2 2		
		18	95700-06012-00	BOLT, FLANGE, 6X12	1 1		
		19	95700-06050-00	BOLT, FLANGE, 6X50	2 2		
		20	96000-06022-00	BOLT, FLANGE, 6X22	2 2		
		21	98069-38716	PLUG, SPARK (DR8ES-L NGK)	1 1		
			98069-58716	PLUG, SPARK (DR8ES NGK)	(1)(1)		
			98069-58726	PLUG, SPARK (X24ESR-U ND)	1 1		
			98069-59726	PLUG, SPARK (X27ESR-U ND)	(1)(1)		

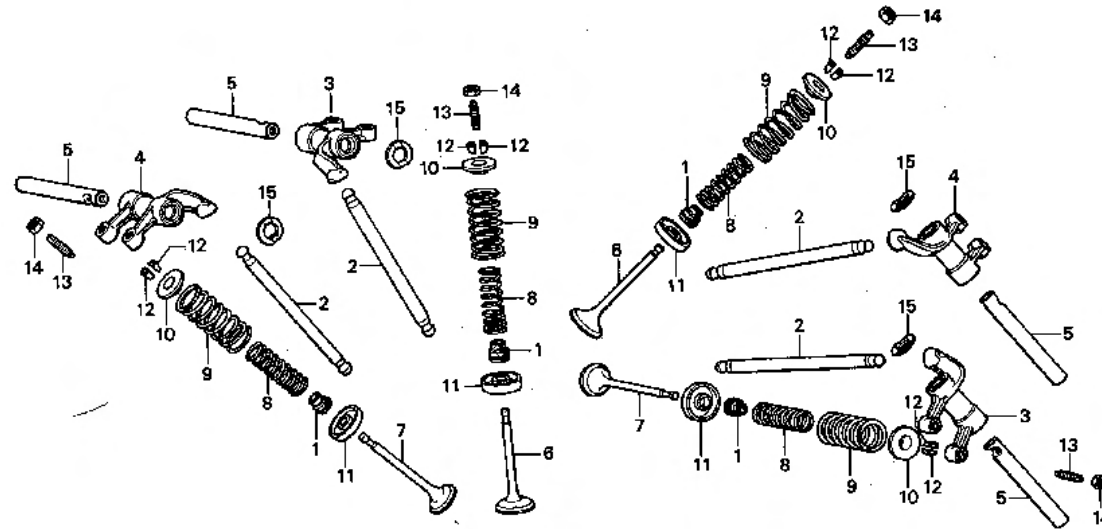
**E-6**

Valve • Upper rocker arm

Soupape • Culbuteur supérieur

Ventil • Oberer Kipphebel

Válvula • Balancín superior



B415-6

Service item	F.R.T.	Ref. No.	Part No.	Description	Reqd. No.		Serial No.	Area code
					CX	500		
ROD COMP., PUSH	0.5	1	12209-300-003	SEAL, VALVE STEM	8	8		
ARM COMP. A, UPPER ROCKER (INC. RELATIVE PART)	0.8	2	14410-415-000	ROD COMP., PUSH	4	4		
VALVE, IN.	1.6	3	14420-MA1-000	ARM COMP. A, UPPER ROCKER	2	2		
(ADD 0.2 FOR EACH.) (INC. REFACING) (EXC. VALVE GUIDE REPLACEMENT)		4	14430-MA1-000	ARM COMP. B, UPPER ROCKER	2	2		
SPRING, VALVE INNER	1.5	5	14450-415-010	SHAFT COMP., UPPER ROCKER ARM	4	4		
(ING RELATIVE PART) (ADD 0.1 FOR EACH)		6	14711-415-000	VALVE, IN.	4	4		
		7	14721-415-000	VALVE, EX.	4	4		
		8	14751-415-005	SPRING, VALVE INNER	8	8		
		9	14761-415-005	SPRING, VALVE OUTER	8	8		
		10	14771-551-020	RETAINER, VALVE SPRING	8	8		
		11	14775-300-000	SEAT, VALVE SPRING	8	8		
		12	14781-551-000	COTTER, VALVE	16	16		
		13	90012-415-000	SCREW, TAPPET ADJUSTING	8	8		
		14	90205-300-000	NUT, TAPPET ADJUSTING	8	8		
		15	90405-415-000	WASHER, WAVE, 1.5MM	4	4		

**C 12**

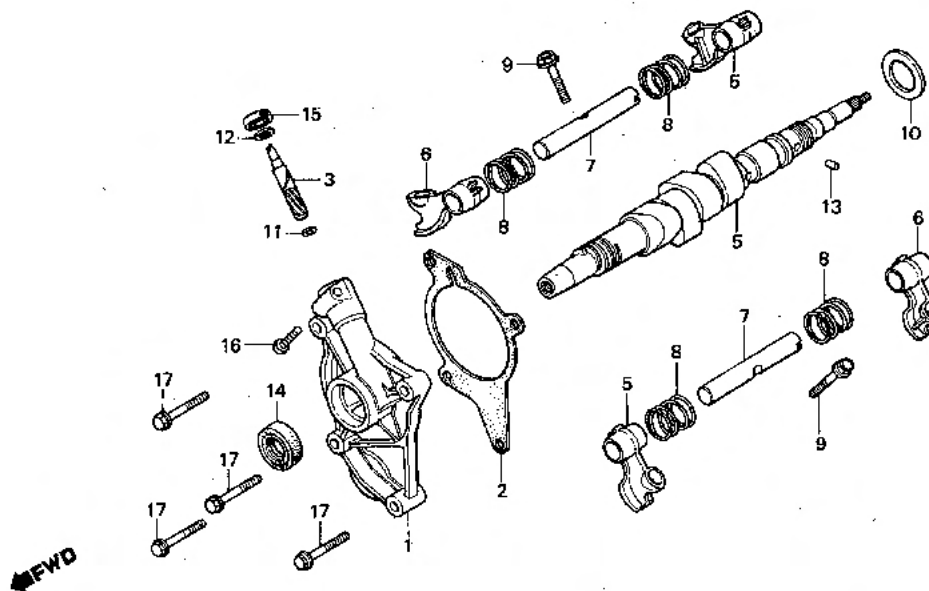
**E-7**

Camshaft • Lower rocker arm

Arbre à cames • Culbuteur inférieur

Nockenwelle • Unterer Kipphebel

Arbol de levas • Balancín inferior



BMA1-5

Service item	F.R.T.	Ref. No.	Part No.	Description	Reqd. No.		Serial No.	Area code
					CX	500		
GASKET, CAMSHAFT HOLDER	0.8	1	12221-415-030	HCLDER, CAMSHAFT	1	1		
GEAR, TACHOMETER (INC. RELATIVE PART)	0.9	2	12230-449-700	GASKET, CAMSHAFT HOLDER	1	1		
OIL SEAL, 17X28X7 HOLDER, CAMSHAFT	1.0	3	12431-415-010	GEAR, TACHOMETER	1	1		
SHAFT, LOWER ROCKER ARM (INC. RELATIVE PART) (ADD 0.4 FOR EACH.)	*3.9	4	14100-MA1-000	CAMSHAFT COMP.	1	1		
CAMSHAFT COMP.	*4.2	5	14441-415-010	ARM A, LOWER RUCKER	2	2		
		6	14442-415-010	ARM B, LOWER RUCKER	2	2		
		7	14451-415-000	SHAFT, LOWER ROCKER ARM	2	2		
		8	14453-415-000	SPRING A, VALVE ROCKER ARM	4	4		
		9	90008-415-000	BOLT, SPECIAL, 6X30	2	2		
		10	90407-415-000	WASHER, THRUST, 26MM	1	1		
		11	90441-044-300	WASHER	1	1		
		12	90458-324-000	WASHER, THRUST, 6.7MM	1	1		
		13	91105-415-000	ROLLER, 5X8.5	1	1		
		14	91201-415-003	OIL SEAL, 17X28X7	1	1		
		15	91211-415-003	OIL SEAL, 6X14.5X5	1	1		

**C 13**

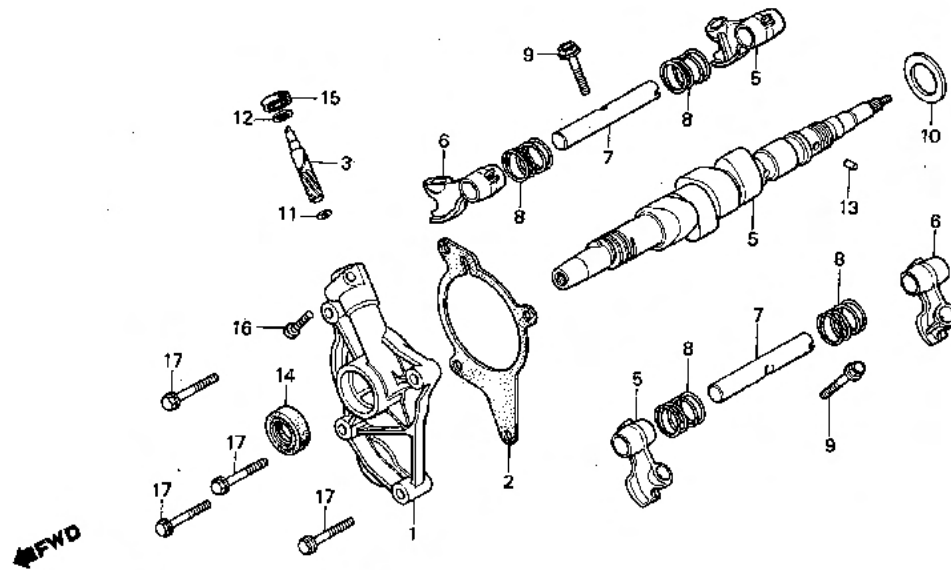
**E-7**

**Camshaft • Lower rocker arm**

**Arbre à cames • Culbuteur inférieur**

**Nockenwelle • Unterer Kipphebel**

**Arbol de levas • Balancín inferior**



BMA1-5

Service item	F.R.T.	Ref. No.	Part No.	Description	Reqd. No.		Serial No.	Area code
					CX	500		
			91211-415-004	OIL SEAL, 6X14.5X5	1	1		
		16	93500-05020-0G	SCREW, PAN, 5X20	1	1		
		17	96000-06028-00	BOLT, FLANGE, 6X28	4	4		

1982-01-10

C13



# C 14

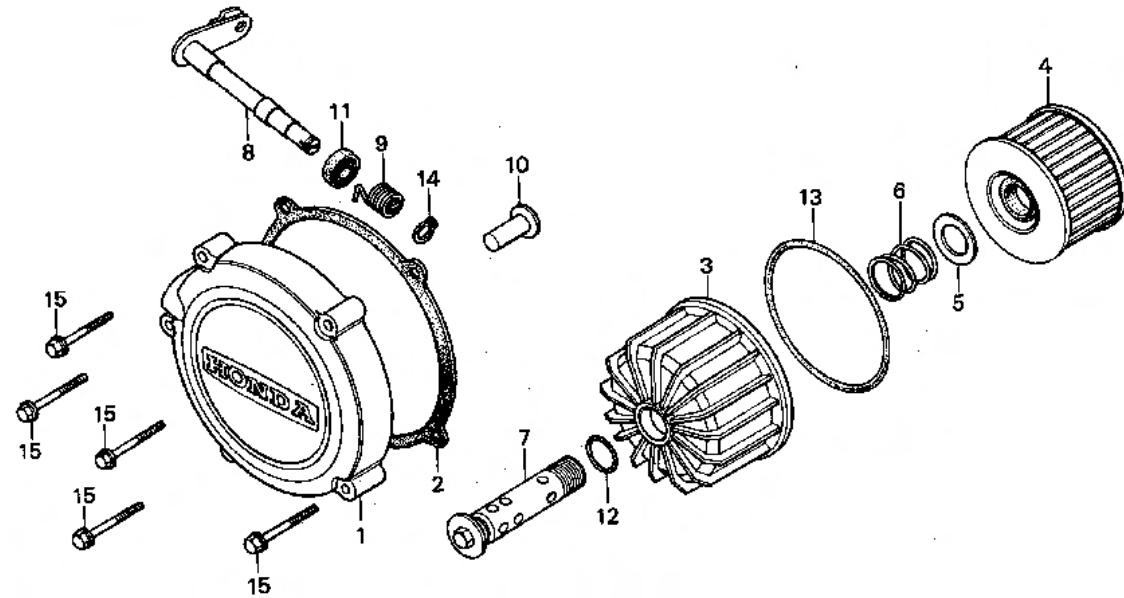
## E-8

Clutch cover • Oil filter

Couvercle d'embrayage •  
Filtre à huile

Kupplungsdeckel • Ölfilter

Cubierta de embrague •  
Filtro de aceite



B415-8

Service item	F.R.T.	Ref. No.	Part No.	Description	Reqd. No.		Serial No.	Area code
					CX	600		
GASKET, CLUTCH COVER ELEMENT, OIL FILTER (INC. RELATIVE PART)	0-2	1	11370-449-000	COVER LUMP., CLUTCH	1	1		
		2	11372-449-700	GASKET, CLUTCH COVER	1	1		
SHAFT, CLUTCH LEVER (INC. RELATIVE PART)	0-3	3	15411-449-000	CASE, OIL FILTER	1	1		
		4	15412-413-005	ELEMENT, OIL FILTER	1	1		
COVER COMP., CLUTCH	0-4	5	15414-300-000	SEAT, OIL FILTER SPRING	1	1		
		6	15415-413-000	SPRING, FILTER ELEMENT SETTING	1	1		
		7	15420-415-000	BOLT COMP., OIL FILTER CENTER	1	1		
		8	22811-449-000	SHAFT, CLUTCH LEVER	1	1		
		9	22815-413-000	SPRING, CLUTCH LEVER	1	1		
		10	22847-415-000	ROD, CLUTCH LIFTER	1	1		
		11	91201-951-003	OIL SEAL, 12X18X3	1	1		
		12	91302-377-000	O-RING, 15X2.5	1	1		
		13	91311-415-000	O-RING, 81X4.5	1	1		
		14	94510-10000	CIRCLIP, EXTERNAL, 10	1	1		
		15	96000-06028-00	BOLT, FLANGE, 6X28	5	5		

**C 15**

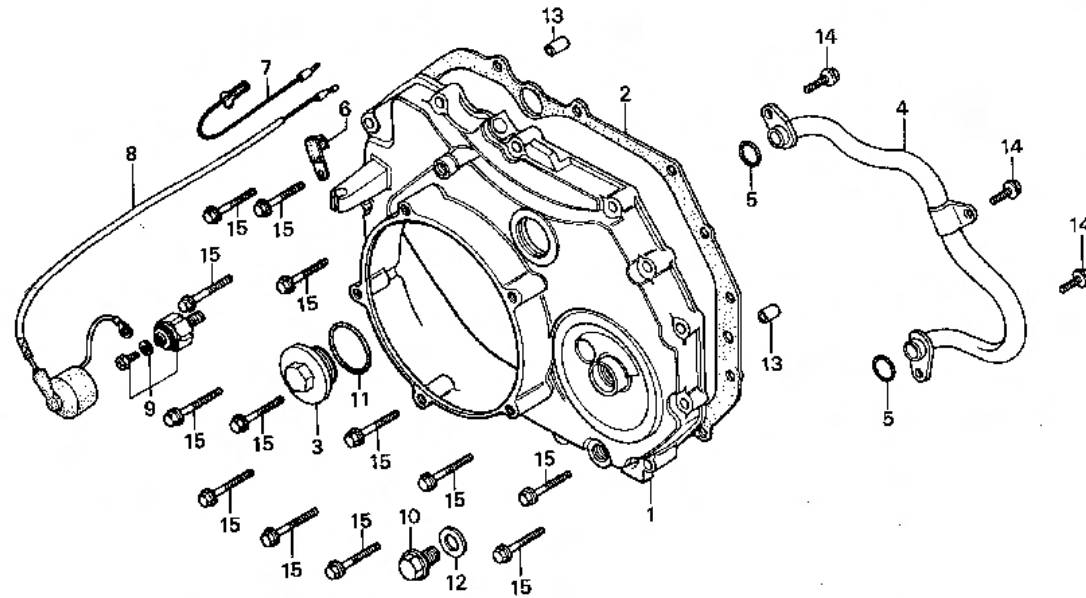
**E-9**

Transmission cover

Couvercle de transmission

Getriebedeckel

Cubierta de transmisión



.B415-9A

Service item	F.R.T.	Ref. No.	Part No.	Description	Reqd. No.		Serial No.	Area code
					CX	500		
SWITCH ASSY., OIL PRESSURE	0.6	1	11360-449-000	COVER COMP., TRANSMISSION	1	1		
SUB CORD A, ENGINE	0.8	2	11391-449-700	GASKET, TRANSMISSION COVER	1	1		
GASKET, TRANSMISSION COVER	1.1	3	12361-035-000	CAP, TAPPET ADJUSTING HOLE	1	1		
PIPE, OIL PASS	1.2	4	15142-415-000	PIPE, OIL PASS	1	1		
COVER COMP., TRANSMISSION	1.4	5	16997-357-003	O-RING, 11.8X2.4	2	2		
		6	32111-323-000	CLAMPER, CORD	1	1		
		7	32116-415-000	SUB CORD A, ENGINE	1	1		
		8	32117-MA1-730	SUB CORD B, ENGINE	1	1		
		9	35500-MB9-004	SWITCH ASSY., OIL PRESSURE	1	1		
		10	90030-415-000	BOLT, DRAIN PLUG, 12MM	1	1		
		11	91302-001-000	O-RING, 27.5MM	1	1		
		12	94109-12000	WASHER, DRAIN PLUG, 12MM	1	1		
		13	54301-08140	PIN A, DOWEL, 8X14	2	2		
		14	95700-06014-00	BOLT, FLANGE, 6X14	3	3		
		15	96000-06028-00	BOLT, FLANGE, 6X28	13	13		

**C 16**

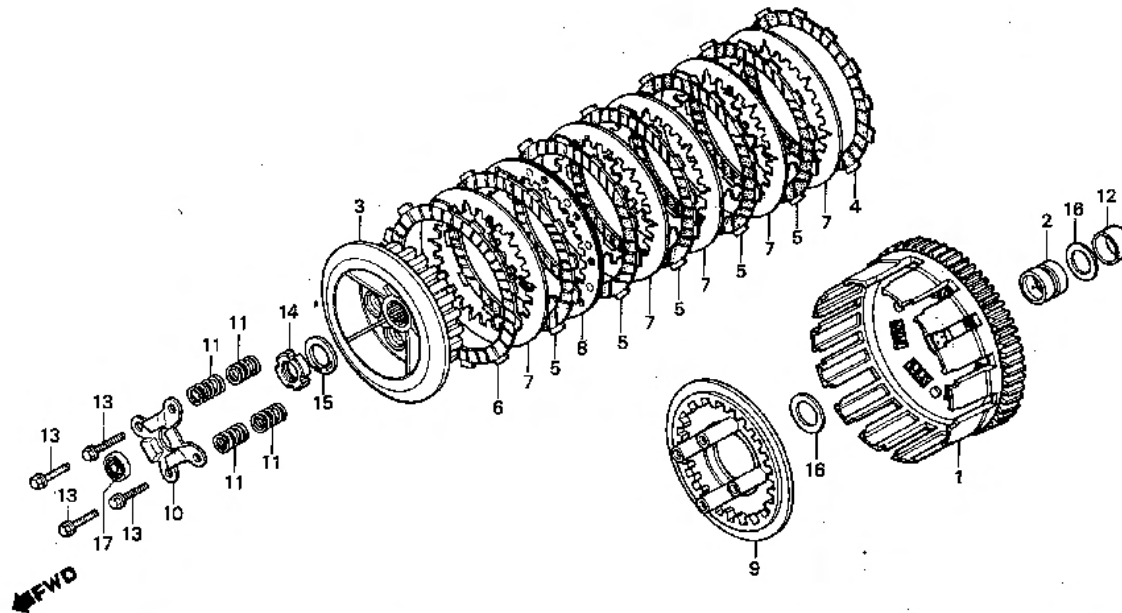
**E-10**

Clutch

Embrayage

Kupplung

Embrague



BMA1-6

Service item	F.R.T.	Ref. No.	Part No.	Description	Reqd. No. 400 500	Serial No.	Area code
PLATE, CLUTCH LIFTER	0-3	1	22100-KC8-000	OUTER COMP., CLUTCH	1		
SPRING, CLUTCH (ONE OR ALL)	0-4	2	22100-MA1-000	OUTER COMP., CLUTCH	1	1	
OUTER COMP., CLUTCH (CX400 TYPE 1.3)	0-5	3	22116-MA1-000	GUIDE, CLUTCH OUTER	1	1	
CENTER COMP., CLUTCH		4	22120-390-000	CENTER COMP., CLUTCH	1	1	
DISK, CLUTCH FRICTION		5	22201-286-010	DISK, CLUTCH FRICTION	1	1	
DISK, CLUTCH FRICTION		6	22201-415-000	DISK, CLUTCH FRICTION	5	5	
DISK B, CLUTCH FRICTION		7	22202-390-000	DISK B, CLUTCH FRICTION	1	1	
PLATE B, CLUTCH		8	22321-329-000	PLATE B, CLUTCH	5	5	
PLATE COMP. B, CLUTCH		9	22322-390-000	PLATE COMP. B, CLUTCH	1	1	
PLATE, CLUTCH PRESSURE		10	22350-390-000	PLATE, CLUTCH PRESSURE	1	1	
PLATE, CLUTCH LIFTER		11	22361-415-000	PLATE, CLUTCH LIFTER	1	1	
SPRING, CLUTCH		12	22401-415-000	SPRING, CLUTCH	4	4	
COLLAR, 25MM		13	23215-MA1-000	COLLAR, 25MM	1	1	
BOLT, SPECIAL FLANGE, 6X22		14	90050-357-000	BOLT, SPECIAL FLANGE, 6X22	4	4	
NUT, LOCK, 20MM		15	90204-706-000	NUT, LOCK, 20MM	1	1	
WASHER, LOCK		16	90432-121-000	WASHER, LOCK	1	1	

**D 1**

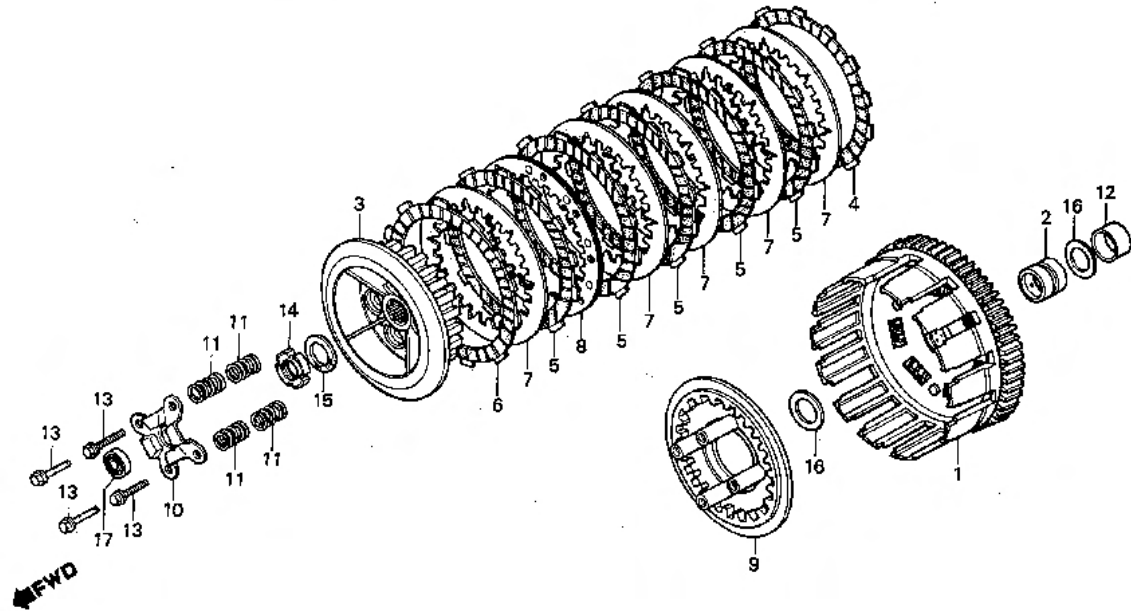
**E-10**

Clutch

Embrayage

Kupplung

Embrague



BMA1-6

Service item	F.R.T.	Ref. No.	Part No.	Description	Reqd. No. CX 400 500	Serial No.	Area code
		16	90453-M41-000	WASHER, THRUST, 25MM	2 2		
		17	96100-80000-00	BEARING, RADIAL BALL, 6000	1 1		



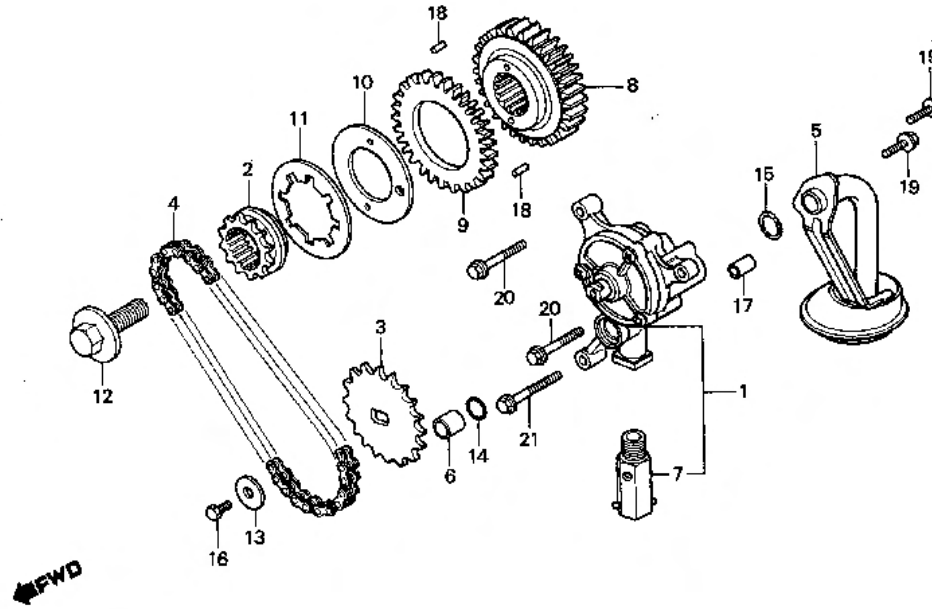
**E-11**

**Oil pump • Primary drive gear**

**Pompe à huile •  
Pignon commande primaire**

**Ölpumpe • Primäres Antriebszahnrad**

**Bomba de aceite •  
Engranaje de mando primario**



BMA1-7A

Service item	F.R.T.	Ref. No.	Part No.	Description	Reqd. No.		Serial No.	Area code
					CX	400 500		
VALVE ASSY., RELIEF	1.1	1	15100-MA1-000	PUMP ASSY., OIL	1	1		
PUMP ASSY., OIL	1.2	2	15115-415-000	SPROCKET, OIL PUMP DRIVE	1	1		
CHAIN, OIL PUMP		3	15116-415-000	SPROCKET, OIL PUMP DRIVEN	1	1		
BODY, OIL STRAINER		4	15140-415-003	CHAIN, OIL PUMP	1	1		
SUB GEAR, PRIMARY DRIVE (INC. RELATIVE PART)		5	15141-MA1-000	BODY, OIL STRAINER	1	1		
GEAR, PRIMARY DRIVE	1.4	6	15155-300-000	COLLAR, O-RING	1	1		
		7	15220-415-000	VALVE ASSY., RELIEF	1	1		
		8	23121-449-000	GEAR, PRIMARY DRIVE (33T)	1	1		
		9	23122-415-000	SUB GEAR, PRIMARY DRIVE (32T)	1	1		
		10	23123-415-000	PLATE, SIDE	1	1		
		11	23124-MA1-000	SPRING, DISK	1	1		
		12	90013-415-000	BOLT, UBS, 12X28	1	1		
		13	90486-028-000	WASHER, SPARK ADVANCER SETTING	1	1		
		14	91301-268-020	U-RING, 14MM	1	1		



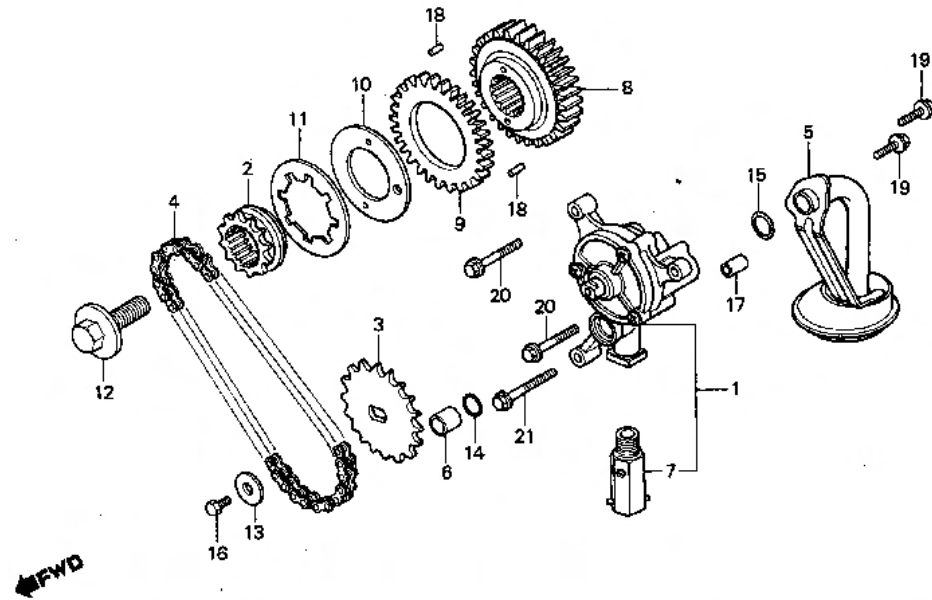
### E-11

Oil pump • Primary drive gear

Pompe à huile •  
Pignon commande primaire

Ölpumpe • Primäres Antriebszahnrad

Bomba de aceite •  
Engranaje de mando primario



BMA1-7A

Service item	F.R.T.	Ref. No.	Part No.	Description	Reqd. No.		Serial No.	Area code
					400	500		
		15	91302-377-000	O-RING, 15X2.5	1	1		
		16	92000-06008	BOLT, HEX., 6X8	1	1		
		17	94301-08140	PIN A, DOWEL, 8X14	1	1		
		18	94302-03050	PIN B, DOWEL, 3X5	2	2		
		19	95700-06014-00	BOLT, FLANGE, 6X14	2	2		
		20	95700-06025-00	BOLT, FLANGE, 6X25	2	2		
		21	95700-06032-00	BOLT, FLANGE, 6X32	1	1		



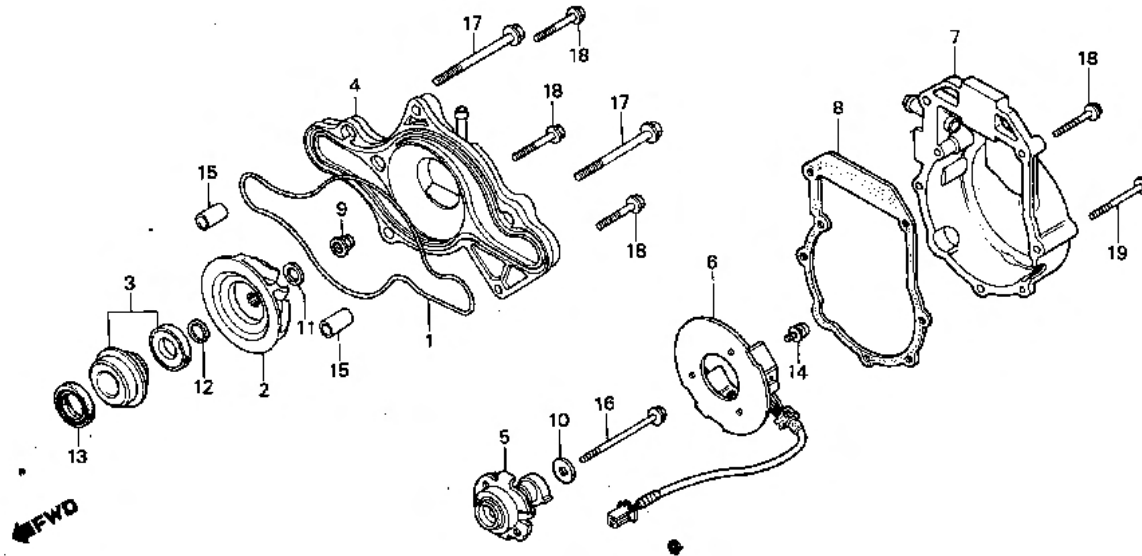
# E-12

Water pump

Pompe à eau

Wasserpumpe

Bomba de agua



BMA1-8

Service item	F.R.T.	Ref. No.	Part No.	Description	Reqd. No.		Serial No.	Area code
					CX	600		
GASKET, WATER PUMP BASE	1.0	1	11396-415-000	GASKET, WATER PUMP BASE	1	1		
COVER, WATER PUMP		2	19215-415-010	IMPELLER, WATER PUMP	1	1		
IMPELLER, WATER PUMP	1.1	3	19217-657-023	SEAL, MECHANICAL	1	1		
COVER COMP., PULSER	1.6	4	19221-415-000	COVER, WATER PUMP	1	1		
ADVANCER ASSY., SPARK	1.8	5	30220-MA1-731	ADVANCER ASSY., SPARK (TOYU)	1	1		
GENERATOR COMP., PULSE		6	30300-MA1-254	GENERATOR COMP., PULSE (TOYU)	1	1		
SEAL, MECHANICAL	*3.2	7	30372-MA1-010	COVER COMP., PULSER	1	1		
		8	30373-MA1-000	GASKET A, PULSER COVER	1	1		
		9	90201-415-000	NUT, CAP, 5MM	1	1		
		10	90417-115-000	WASHER, CAMSHAFT SIDE	1	1		
		11	90441-706-000	WASHER, SEALING, 6MM	1	1		
		12	90453-415-000	WASHER, THRUST, 10MM	1	1		
		13	91202-283-013	GIL SEAL, 18X28X6	1	1		
		14	93891-06012-00	SCREW-WASHER, 6X12	2	2		



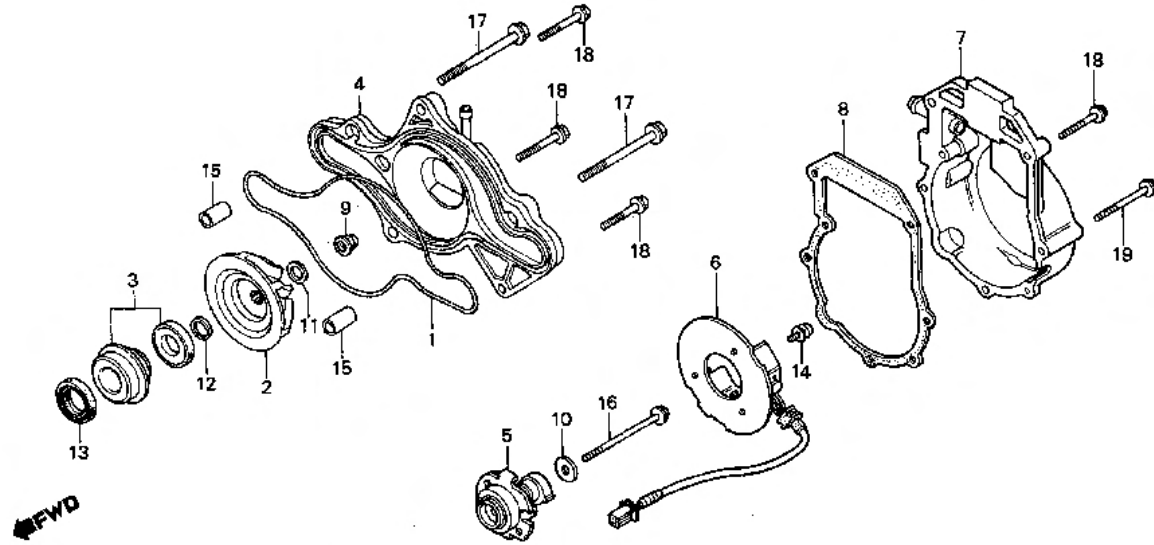
**E-12**

**Water pump**

**Pompe à eau**

**Wasserpumpe**

**Bomba de agua**



BMA1-8

Service item	F.R.T.	Ref. No.	Part No.	Description	Reqd. No.		Serial No.	Area code
					CX	500		
		15	94301-10160	PIN A, DWEL, 10X16	2	2		
		16	95700-06060-00	BOLT, FLANGE, 6X60	1	1		
		17	95700-08065-00	BOLT, FLANGE, 8X65	2	2		
		18	96000-06025-00	BOLT, FLANGE, 6X25	6	6		
		19	96000-06040-00	BOLT, FLANGE, 6X40	3	3		





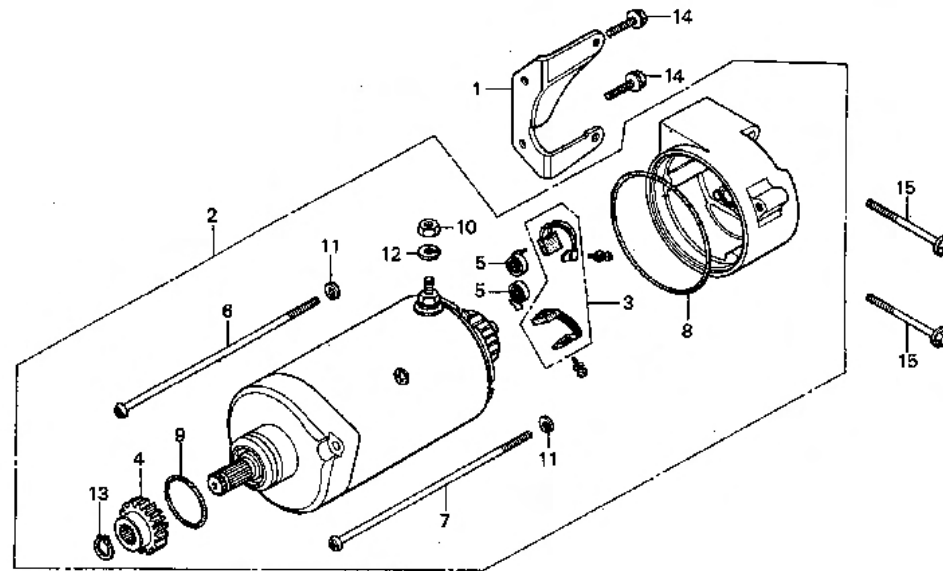
### E-13

Starting motor

Moteur démarrage

Anlassermotor

Motor de arranque



8415-13

Service item	F.R.T.	Ref. No.	Part No.	Description	Reqd. No.		Serial No.	Area code
					CX	500		
MOTOR ASSY., STARTING	0-2	1	11312-415-000	STAY, STARTING MOTOR	1	1		
GEAR, STARTING MOTOR		2	31200-449-008	MOTOR ASSY., STARTING	1	1		
BRUSH SET, CARBON	0-4	3	31201-292-158	BRUSH SET, CARBON	1	1		
		4	31201-415-000	GEAR, STARTING MOTOR (27T)	1	1		
		5	31204-292-158	SPRING, CARBON BRUSH	2	2		
		6	31205-413-780	BOLT, STARTING MOTOR COVER	1	1		
		7	31205-449-008	BOLT A, SETTING	1	1		
		8	31206-415-000	O-RING, 60X1.4	1	1		
		9	91309-300-000	O-RING, 24.4X3.1	1	1		
		10	94002-06000	NUT, HEX., 6MM	1	1		
		11	94111-05000	WASHER, SPRING, 5MM	2	2		
		12	94111-06000	WASHER, SPRING, 6MM	1	1		
		13	94510-11000	CIRCLIP, EXTERNAL, 11	1	1		
		14	96000-06018-00	BOLT, FLANGE, 6X18	2	2		
		15	96000-06035-00	BOLT, FLANGE, 6X35	2	2		



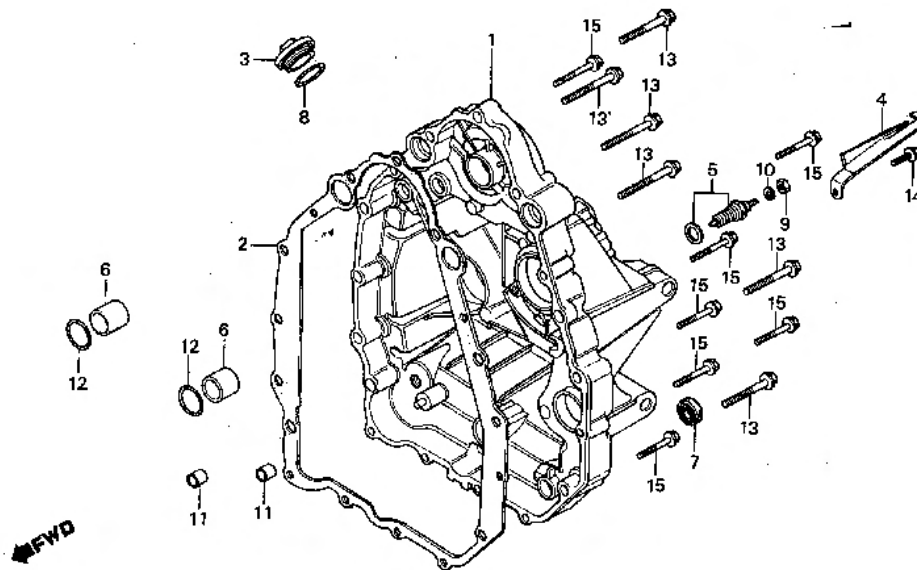
# E-14

Rear cover

Couvercle arrière

Hinterdeckel

Cubierta trasera



BMA1-9

Service item	F.R.T.	Ref. No.	Part No.	Description	Reqd. No. Cx 400 600	Serial No.	Area code
SWITCH ASSY., NEUTRAL	0.3	1	11310-MA1-600	COVER, RR.	1		
GASKET, RR. COVER	*3.1		11310-415-600	COVER, RR.	1		
OIL SEAL, 14X26X7	*3.2	2	11394-449-700	GASKET, RR. COVER	1	1	
COVER, RR.	*3.8	3	12361-309-000	CAP, TAPPET ADJUSTING HOLE	1	1	
		4	31140-415-000	GUIDE, NEUTRAL CORD	1	1	
		5	35600-413-003	SWITCH ASSY., NEUTRAL (TOYOT)	1	1	
		6	90701-415-000	COLLAR, 22.2MM	2	2	
		7	91201-023-020	OIL SEAL, 14X26X7	1	1	
		8	91302-001-000	O-RING, 27.5MM	1	1	
		9	94001-04000-05	NUT, HEX., 4MM	1	1	
		10	94111-04800	WASHER, SPRING, 4MM	1	1	
		11	94301-10160	PIN A, DOWEL, 10X16	2	2	
		12	94608-50000	O-RING, 23X2.8	2	2	
		13	95700-08040-00	BOLT, FLANGE, 8X40	6	6	
		14	94000-06014-00	BOLT, FLANGE, 6X14	1	1	
		15	96000-06032-00	BOLT, FLANGE, 6X32	7	7	

1982.01.10

07



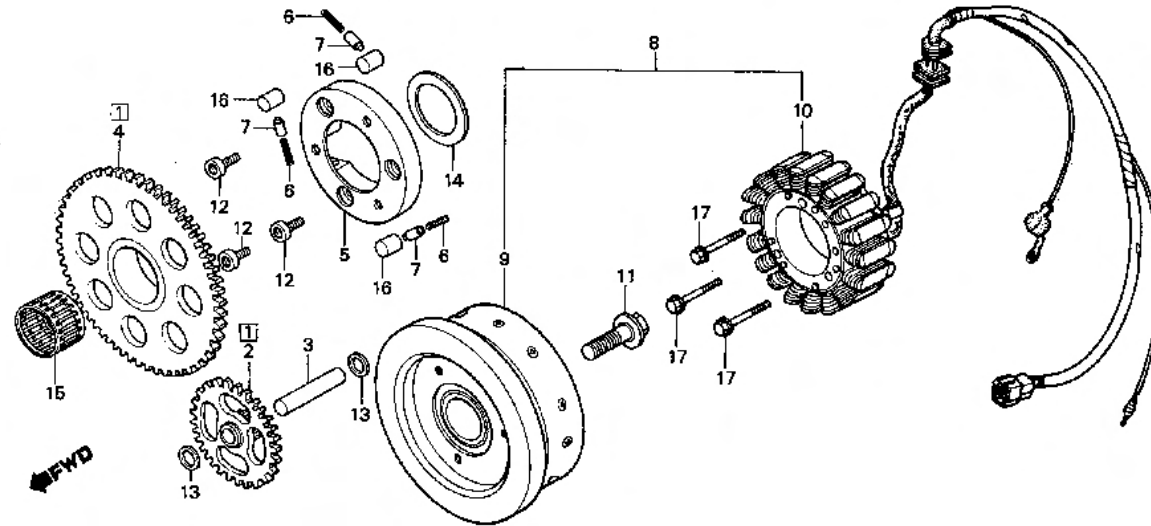
# E-15

Generator

Générateur

Lichtmaschine

Generador



BMA1-10

Service item	F.R.T.	Ref. No.	Part No.	Description	Reqd. No. Cx 400 500	Serial No.	Area code
GEAR, STARTER REDUCTION	*3.2	1	28100-415-305	GEAR SET, STARTING	1	1	
GEAR COMP., STARTING DRIVEN	*3.3	2	28102-415-010	GEAR, STARTER REDUCTION	1	1	
ROLLER, 15X13 (INC. RELATIVE PART) (ONE OR ALL)		3	28106-415-000	SHAFT, STARTER REDUCTION GEAR	1	1	
OUTER, STARTING CLUTCH	*3.4	4	28110-415-010	GEAR COMP., STARTING DRIVEN	1	1	
FLYWHEEL COMP.		5	28120-415-000	OUTER, STARTING CLUTCH	1	1	
STATOR COMP.		6	28125-516-030	SPRING, STARTING CLUTCH ROLLER	3	3	
GENERATOR ASSY., FLYWHEEL TYPE A-C.	*3.6	7	28126-516-020	CAP, STARTING CLUTCH ROLLER	3	3	
		8	31100-MA1-731	GENERATOR ASSY., FLYWHEEL TYPE A-C. (HITACHI)	1	1	
		9	31110-MA1-731	FLYWHEEL COMP. (HITACHI)	1	1	
		10	31120-MA1-005	STATOR COMP. (HITACHI)	1	1	
		11	90002-415-003	BOLT, A-C. GENERATOR SETTING, 12X30	1	1	
		12	90010-415-000	BOLT, SOCKET, 8MM	3	3	

D 9

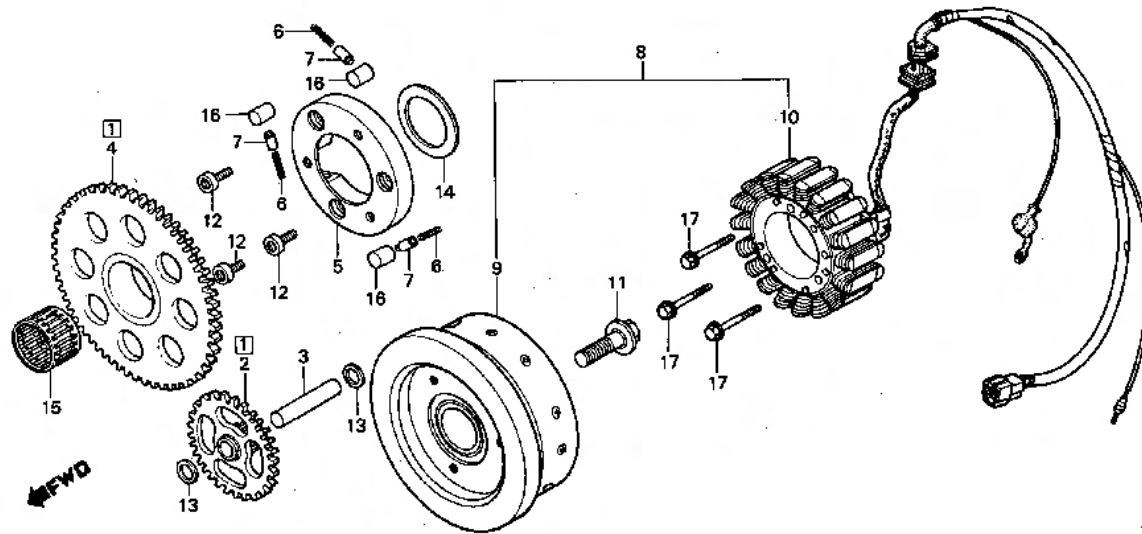
E-15

Generator

Générateur

Lichtmaschine

Generador



BMA1-10

Service item	F.R.T.	Ref. No.	Part No.	Description	Reqd. No. Cx 400 500	Serial No.	Area code
		13	90451-708-000	WASHER, 12MM	2 2		
		14	90454-415-000	WASHER, THRUST, 37MM	1 1		
		15	91021-415-005	BEARING, NEEDLE, 32MM (TOMUSON)	1 1		
		16	91101-516-000	ROLLER, 15X13	3 3		
		17	95700-06040-00	BOLT, FLANGE, 6X40	3 3		

1982.01-10

09



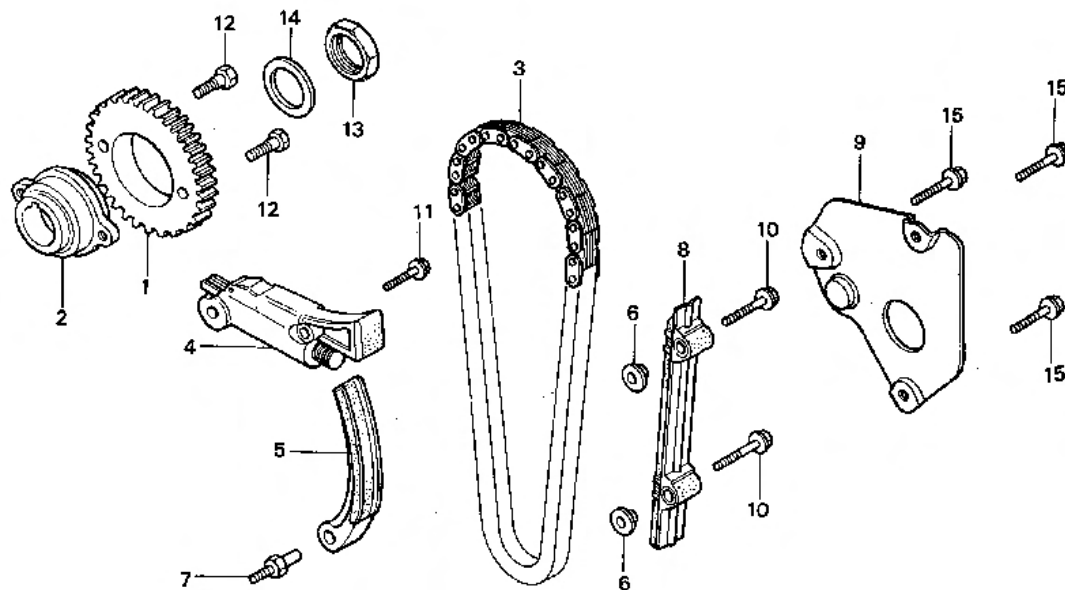
# E-16

Cam chain · Tensioner

Chaîne de cames · Tendeur

Steuerkette · Spanner

Cadena de levas · Tensionador



BMC7-2

Service item	F.R.T.	Ref. No.	Part No.	Description	Reqd. No.		Serial No.	Area code
					CX	500		
SPROCKET, CAM	*3.2	1	14321-415-000	SPROCKET, CAM	1	1		
TENSIONER COMP., CAM CHAIN (INC. RELATIVE PART)		2	14322-415-000	BOSS, CAM SPROCKET	1	1		
TENSIONER, CAM CHAIN	*3.4	3	14401-MA1-005	CHAIN, CAM (TSUBAKINUTCI)	1	1		
GUIDE, CAM CHAIN		4	14500-MC7-000	TENSIONER COMP., CAM CHAIN	1	1		
PLATE, CAM CHAIN SETTING		5	14511-MC7-000	TENSIONER, CAM CHAIN	1	1		
BOSS, CAM SPROCKET	*3.5	6	14515-428-000	COLLAR, 6X14.7	2	2		
CHAIN, CAM	*3.6	7	14538-MC7-000	PIN, TENSIONER SETTING	1	1		
		8	14620-MC7-000	GUIDE, CAM CHAIN	1	1		
		9	14623-MC7-000	PLATE, CAM CHAIN SETTING	1	1		
		10	90011-415-000	BOLT, HEX., 6X30	1	1		
		11	90015-MC7-000	BOLT, FLANGE, 8X32	1	1		
		12	90081-415-000	BOLT, HEX. KNURL, 7X17	2	2		
		13	90207-415-000	NUT, HEX., 20MM	1	1		
		14	90432-121-000	WASHER, LOCK	1	1		
		15	95700-06016-00	BOLT, FLANGE, 6X16	3	3		

**D 11**

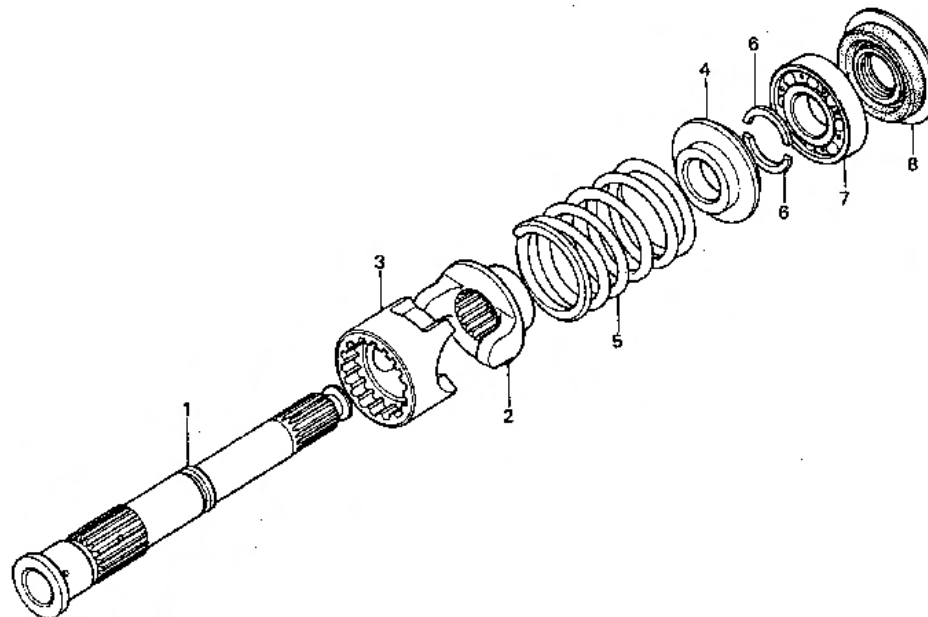
**E-17**

**Final shaft**

**Arébre final**

**Endwelle**

**Eje final**



8415-17

Service item	F.R.T.	Ref. No.	Part No.	Description	Reqd. No. CX 400 800	Serial No.	Area code
OIL SEAL, 22X36X7	1.0	1	23521-415-000	SHAFT, FINAL	1	1	
SHAFT, FINAL	*3.2	2	23721-MA1-000	LIFTER, DAMPER	1	1	
(INC. RELATIVE PART)		3	23722-MA1-000	CAM, DAMPER	1	1	
BEARING, BALL, 62/22		4	23731-371-000	STOPPER, DAMPER SPRING	1	1	
		5	23732-MA1-000	SPRING, DAMPER	1	1	
		6	23733-371-000	WASHER, SPRING STOPPER	2	2	
		7	91005-634-004	BEARING, BALL, 62/22 (KOYO)	1	1	
			91005-634-008	BEARING, BALL, 62/22 (TOYO)	1	1	
		8	91202-415-003	OIL SEAL, 22X36X7	1	1	
			91202-415-004	OIL SEAL, 22X36X7	1	1	

**D 12**

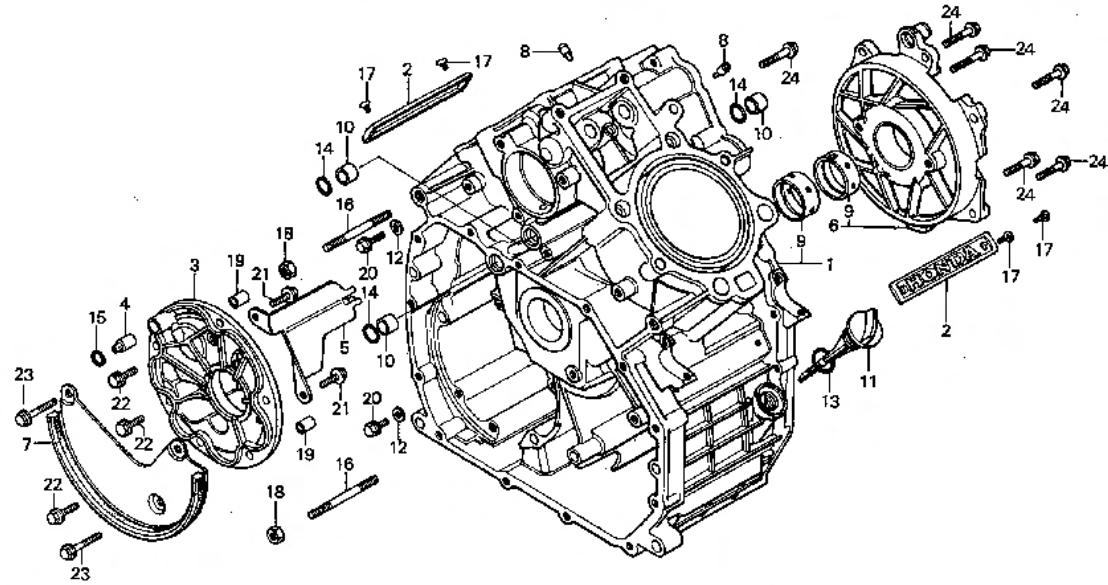
**E-18**

Cylinder block

Bloc moteur

Zylinderblock

Bloque de cilindro



B415-55A

Service Item	F.R.T.	Ref. No.	Part No.	Description	Reqd. No. CX 400 500	Serial No.	Area code
BOLT, STUD, 10X90 (ADD 0.1 FOR EACH.)	1.0	1	11100-KCB-000	BLOCK COMP., CYLINDER	1		
			11100-MA1-600	BLOCK COMP., CYLINDER	1	1	
SEPARATOR COMP., OIL HOLDER, TRANSMISSION	1.3	2	11105-415-670	EMBLEM, CYLINDER BLOCK	1	1	
CAP COMP., CRANKSHAFT	*3.7	3	11131-415-000	HOLDER, TRANSMISSION	1	1	
BEARING A, MAIN (ONE OR ALL)	*5.4	4	11132-415-000	ORIFICE, 8MM	1	1	
BLOCK COMP., CYLINDER	*5.9	5	11133-415-000	PLATE, TRANSMISSION HOLDER	1	1	
		6	11140-MA1-600	CAP COMP., CRANKSHAFT	1	1	
		7	11365-415-000	SEPARATOR COMP., OIL	1	1	
		8	12901-413-000	VALVE, OIL CONTROL ORIFICE	2	2	
		9	13325-415-305	BEARING A, MAIN (BLUE)	2	2	
			13326-415-305	BEARING B, MAIN (BLACK)	2	2	
			13327-415-305	BEARING C, MAIN (BROWN)	2	2	
		10	15155-300-000	COLLAR, C-RING	3	3	
		11	15650-449-000	GAUGE, OIL LEVEL	1	1	
		12	90461-357-000	WASHER, SEALING, 12MM	2	2	
		13	91301-250-000	O-RING, 22X3.0	1	1	
		14	91301-268-020	O-RING, 14MM	3	3	

**D 13**

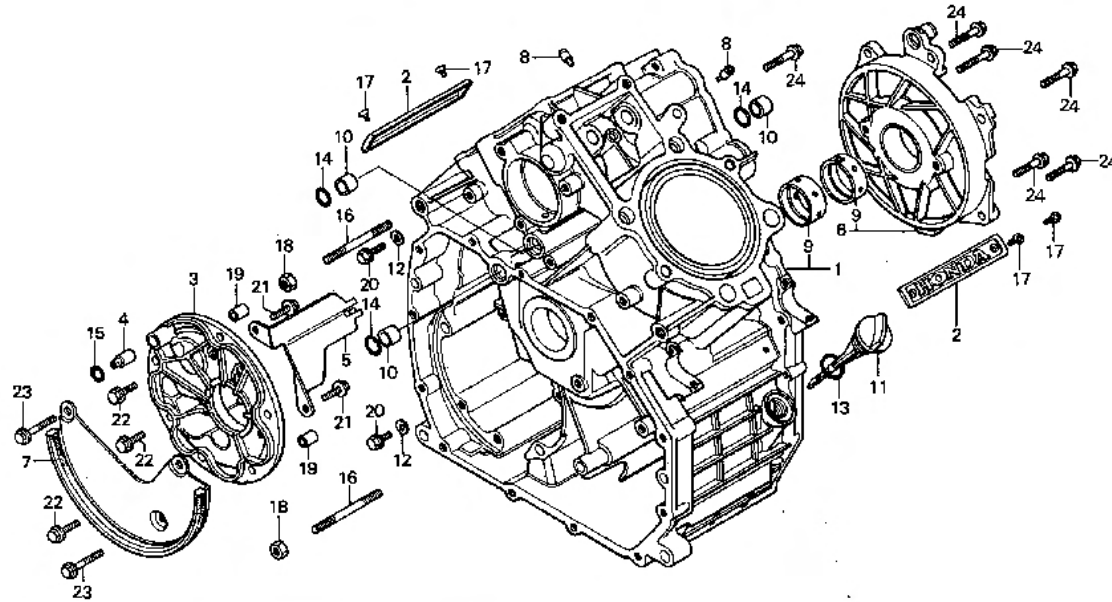
**E-18**

**Cylinder block**

**Bloc moteur**

**Zylinderblock**

**Bloque de cilindro**



B41E-55A

Service item	F.R.T.	Ref. No.	Part No.	Description	Reqd. No. CX 400 600	Serial No.	Area code
		15	91303-001-000	D-RING, 8MM	1 1		
		16	92700-10090	BOLT, STUD, 10X90	2 2		
		17	93902-34180	SCREW, TAPPING, 4X8	4 4		
		18	94050-10000	NUT, FLANGE, 10MM	2 2		
		19	94301-08140	PIN A, DOWEL, 8X14	2 2		
		20	95700-06012-00	BOLT, FLANGE, 6X12	2 2		
		21	95700-06016-00	BOLT, FLANGE, 6X16	2 2		
		22	95700-06020-00	BOLT, FLANGE, 6X20	4 4		
		23	95700-06032-00	BOLT, FLANGE, 6X32	2 2		
		24	95700-06025-00	BOLT, FLANGE, 8X25	7 7		



# D 14

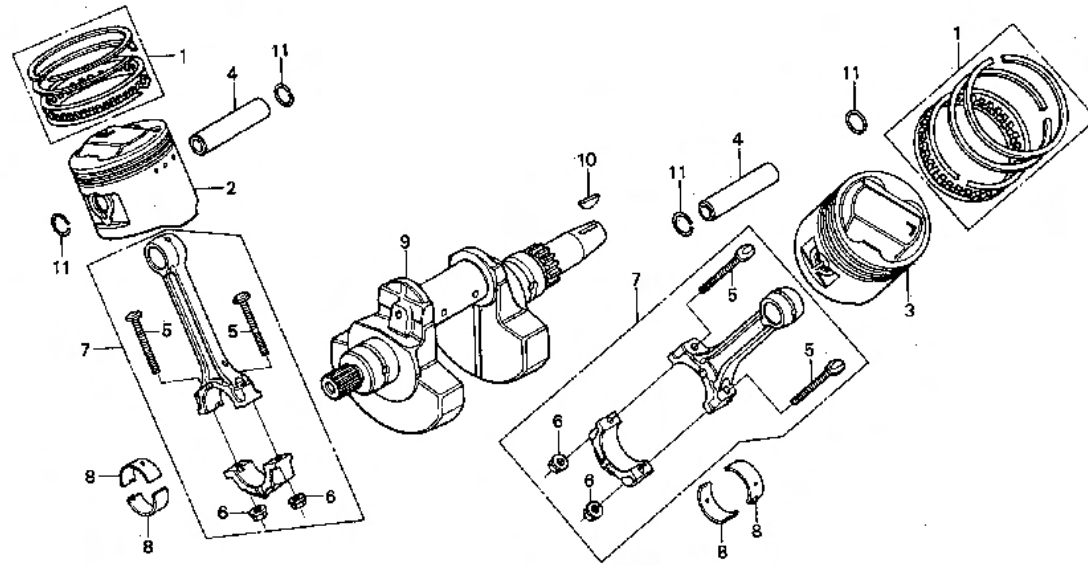
## E-19

Crankshaft • Piston

Vilebrequin • Piston

Kurbelwelle • Kolben

Cigüeñal • Pistón



B415-19

Service item	F.R.T.	Ref. No.	Part No.	Description	Reqd. No. Cx 400 500	Serial No.	Area code
PIN, PISTON (L. SIDE *4.01)	2.6	1	13011-415-003	RING SET, PISTON (STD. NIPPON)	2 2		
RING SET, PISTON	2.7		13011-415-004	RING SET, PISTON (STD. RIKEN)	2 2		
PISTON, R. (L. SIDE *4.1)			13021-415-003	RING SET, PISTON (0.25 NIPPON)	(2)(2)		
ROD ASSY., CONNECTING (L. SIDE *4.3)	3.5		13021-415-004	RING SET, PISTON (0.25 RIKEN)	(2)(2)		
CRANKSHAFT COMP.	*5.4		13031-415-003	RING SET, PISTON (0.50 NIPPON)	(2)(2)		
		2	13031-415-004	RING SET, PISTON (0.50 RIKEN)	(2)(2)		
			13101-415-000	PISTON, R. (STD.)	1 1		
			13103-415-000	PISTON, R. (0.25)	(1)(1)		
			13105-415-000	PISTON, R. (0.50)	(1)(1)		
		3	13102-415-000	PISTON, L. (STD.)	1 1		
			13104-415-000	PISTON, L. (0.25)	(1)(1)		
			13106-415-000	PISTON, L. (0.50)	(1)(1)		
		4	13111-415-000	PIN, PISTON	2 2		
		5	13204-415-010	BOLT, CONNECTING ROD	4 4		

**D 15**

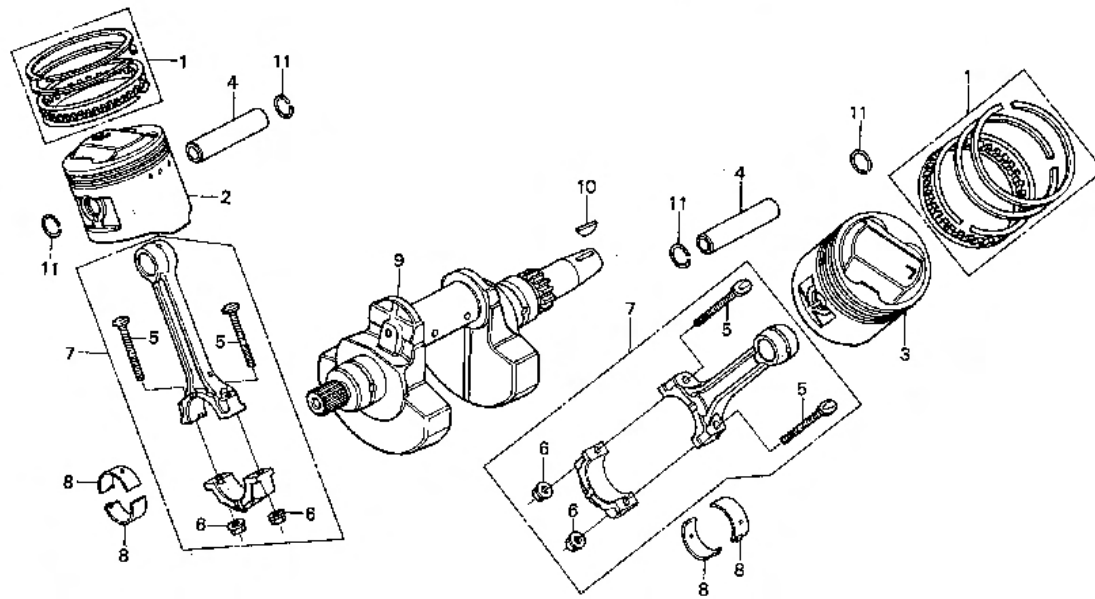
**E-19**

Crankshaft • Piston

Vilebrequin • Piston

Kurbelwelle • Kolben

Cigüeñal • Pistón



B415-19

Service item	F.R.T.	Ref. No.	Part No.	Description	Reqd. No. CX 400 500	Serial No.	Area code
		6	13205-634-010	NUT, CONNECTING ROD	4	4	
		7	13210-415-010	ROD ASSY., CONNECTING	2	2	
		8	13216-415-013	BEARING B, CONNECTING ROD	4	4	
			13217-415-013	BEARING C, CONNECTING ROD (BLACK)	4	4	
			13218-415-013	BEARING D, CONNECTING ROD (BROWN)	4	4	
			13219-415-013	BEARING E, CONNECTING ROD (GREEN)	4	4	
			13220-415-003	BEARING F, CONNECTING ROD (YELLOW)	4	4	
				(PINK)	4	4	
		9	13300-MA1-000	CRANKSHAFT COMP.	1	1	
		10	13331-357-000	KEY, SPECIAL WOODRUFF, 25X18	1	1	
		11	94601-21000	CLIP, PISTON PIN, 21MM	4	4	

**D 16**

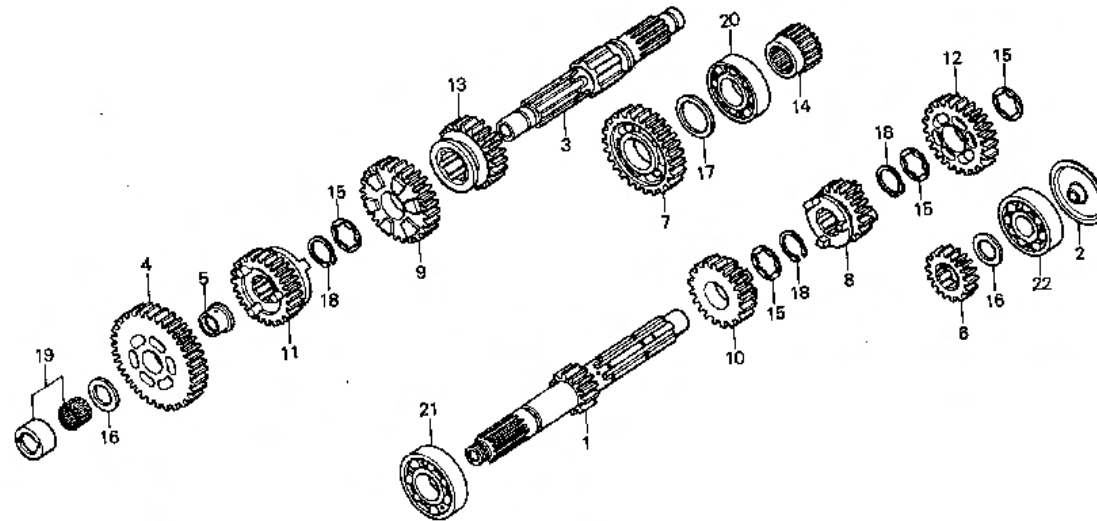
**E-20**

Transmission

Transmission

Getriebe

Transmisión



B415-20

Service item	F.R.T.	Ref. No.	Part No.	Description	Reqd. No. CX 400 500	Serial No.	Area code
COLLAR, COUNTERSHAFT	#3.1	1	23211-415-010	MAINSHAFT COMP., TRANSMISSION	1 1		
MAINSHAFT COMP., TRANSMISSION	#3.9			(15T)			
(INC. RELATIVE PART)		2	23219-415-000	PLATE, DIL GUIDE	1 1		
COUNTERSHAFT		3	23220-415-000	COUNTERSHAFT	1 1		
(INC. RELATIVE PART)		4	23421-413-000	GEAR, COUNTERSHAFT FIRST (41T)	1 1		
		5	23422-413-000	BUSH, 20MM	1 1		
		6	23431-413-000	GEAR, MAINSHAFT SECOND (20T)	1 1		
		7	23441-413-000	GEAR, COUNTERSHAFT SECOND	1 1		
				(37T)			
		8	23451-413-000	GEAR, MAINSHAFT THIRD (24T)	1 1		
		9	23461-413-000	GEAR, COUNTERSHAFT THIRD (34T)	1 1		
		10	23471-415-000	GEAR, MAINSHAFT FOURTH (27T)	1 1		
		11	23481-MA1-000	GEAR, COUNTERSHAFT FOURTH	1 1		
				(31T)			



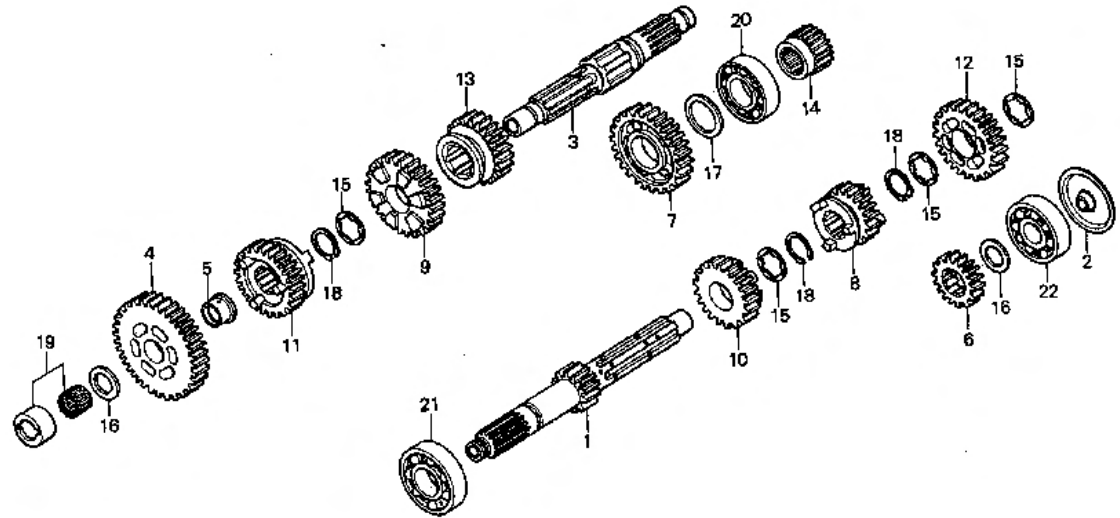
# E-20

Transmission

Transmission

Getriebe

Transmisión



B415-20

Service item	F.R.T.	Ref. No.	Part No.	Description	Reqd. No.		Serial No.	Area code
					CX	500		
		12	23491-415-000	GEAR, MAINSHAFT FIFTH (29T)	1	1		
		13	23501-449-000	GEAR, COUNTERSHAFT FIFTH (27T)	1	1		
		14	23522-415-000	COLLAR, COUNTERSHAFT	1	1		
		15	90451-413-000	WASHER, THRUST, 25MM	4	4		
		16	90452-413-000	WASHER, THRUST, 20MM	2	2		
		17	90452-415-000	WASHER, THRUST, 25MM	1	1		
		18	90601-300-000	CIRCLIP, 25MM	3	3		
		19	91022-415-008	BEARING, NEEDLE, 20MM	1	1		
		20	96100-62050-00	BEARING, RADIAL BALL, 6205	1	1		
		21	96100-63051-00	BEARING, RADIAL BALL, 6305	1	1		
		22	96140-62040-00	BEARING, RADIAL BALL, 6204U	1	1		



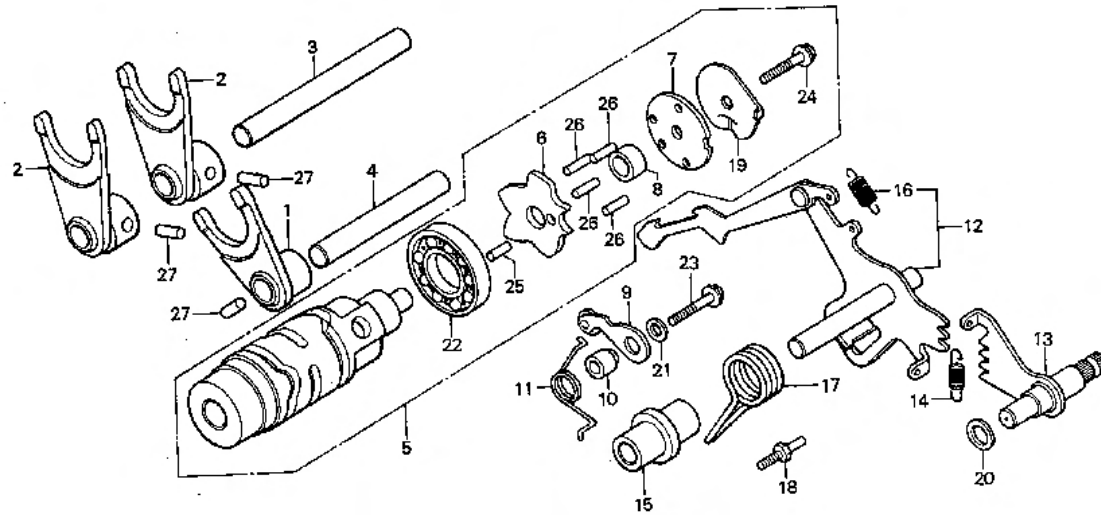
# E-21

Shift drum · Shift fork

Tambour de changement de vitesse ·  
Fourchette de changement

Schaltwalze · Schaltgabel

Tambor do cambio ·  
Horquilla de cambio



B415-21

Service item	F.R.T.	Ref. No.	Part No.	Description	Reqd. No. Cx 400 500	Serial No.	Area code
PLATE, DRUM CAM (INC. RELATIVE PART)	*3.2	1	24216-413-000	FORK, MAINSHAFT THIRD	1 1		
· STOPPER COMP., GEARSHIFT DRUM (INC. RELATIVE PART)		2	24221-449-000	FORK, COUNTERSHAFT FIFTH	2 2		
· ARM COMP., GEARSHIFT (INC. RELATIVE PART)		3	24241-MC0-000	SHAFT, GEARSHIFT GUIDE	1 1		
· SPINDLE COMP., GEARSHIFT (INC. RELATIVE PART)		4	24241-415-000	SHAFT, GEARSHIFT FORK GUIDE	1 1		
FORK, MAINSHAFT THIRD	*3.7	5	24300-415-000	DRUM COMP., GEARSHIFT	1 1		
· DRUM COMP., GEARSHIFT		6	24303-415-000	PLATE, DRUM CAM	1 1		
		7	24304-415-000	PLATE, DRUM CENTER	1 1		
		8	24305-415-000	COLLAR, DRUM CENTER	1 1		
		9	24430-413-000	STOPPER COMP., GEARSHIFT DRUM	1 1		
		10	24432-413-000	COLLAR, GEARSHIFT DRUM STOPPER	1 1		
		11	24435-415-000	SPRING, DRUM STOPPER	1 1		



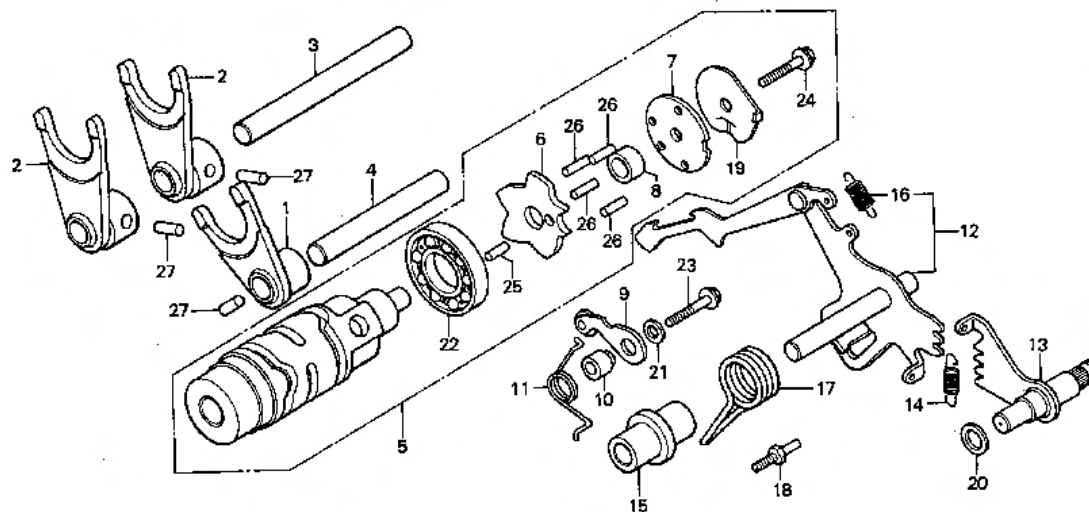
# E-21

Shift drum • Shift fork

Tambour de changement de vitesse •  
Fourchette de changement

Schaltwalze • Schaltgabel

Tambor do cambio •  
Horquilla de cambio



B415-21

Service item	F.R.T.	Ref. No.	Part No.	Description	Reord. No.		Serial No.	Area code
					Cx	500		
		12	24610-415-000	ARM COMP., GEARSHIFT	1	1		
		13	24620-415-000	SPINDLE COMP., GEARSHIFT	1	1		
		14	24623-415-000	SPRING, GEARSHIFT	1	1		
		15	24624-415-000	COLLAR, GEARSHIFT ARM	1	1		
		16	24641-216-000	SPRING, GEARSHIFT ARM	1	1		
		17	24691-333-000	SPRING, GEARSHIFT RETURN	1	1		
		18	24652-259-000	PIN, SHIFT RETURN SPRING	1	1		
		19	35753-415-000	PLATE, POINT	1	1		
		20	90451-708-000	WASHER, 12MM	1	1		
		21	90486-028-000	WASHER, SPARK ADVANCER SETTING	1	1		
		22	91008-374-003	BEARING, BALL, 16005 (T0YG)	1	1		
		23	95700-06025-00	BOLT, FLANGE, 6X25	1	1		



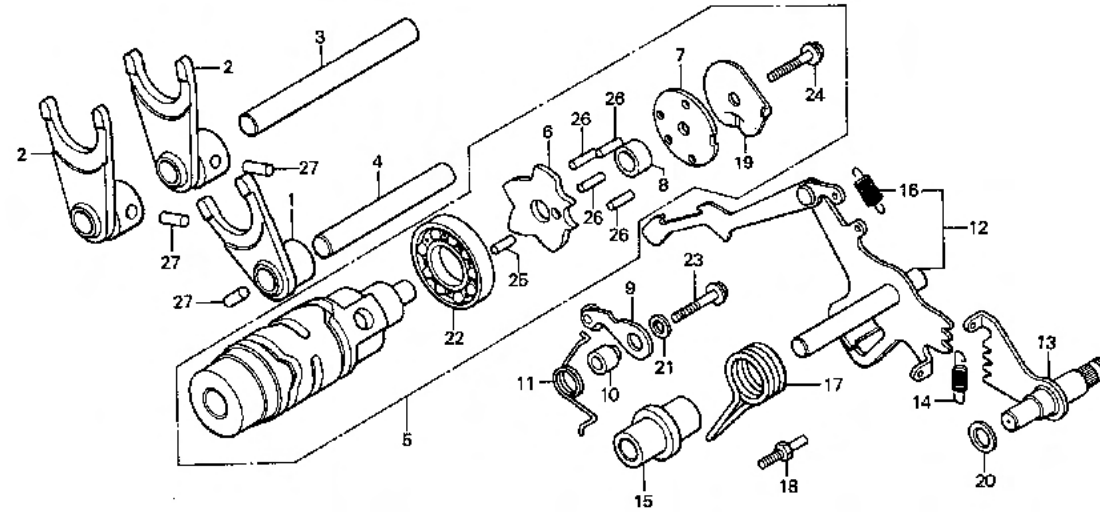
# E-21

Shift drum • Shift fork

Tambour de changement de vitesse •  
Fourchette de changement

Schaltwalze • Schaltgabel

Tambor do cambio •  
Horquilla de cambio



B415-21

Service item	F.R.T.	Ref. No.	Part No.	Description	Reqd. No.		Serial No.	Area code
					400	500		
		24	95725-06025-00	BOLT, FLANGE, 6X25	1	1		
		25	96220-40118	ROLLER, 4x11-8	1	1		
		26	96220-40140	ROLLER, 4x14	4	4		
		27	96220-60130	ROLLER, 6x13	3	3		

**E 5**

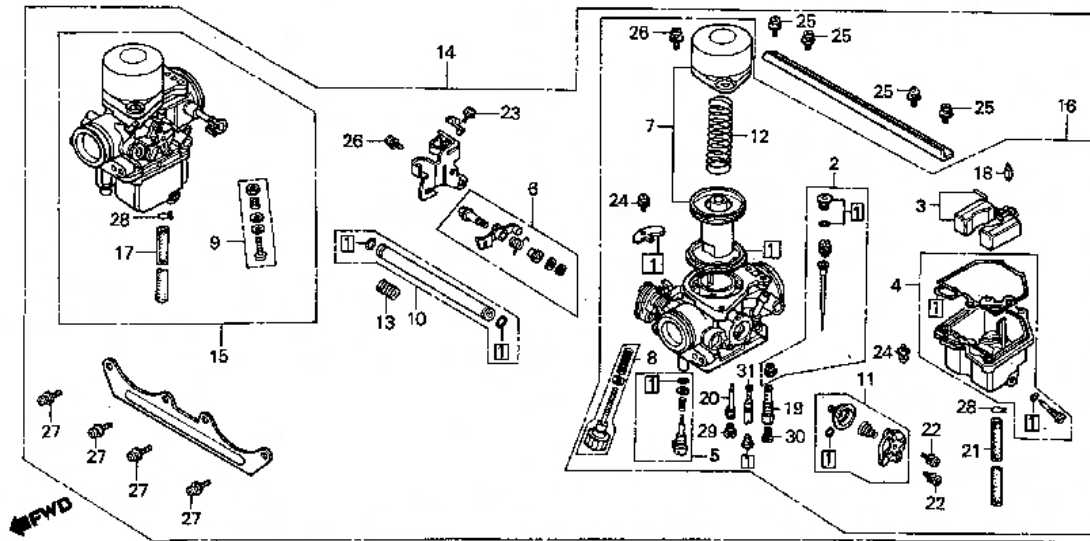
**E-22**

Carburetor

Carburateur

Vergaser

Carburador



BMC5-2

Service item	F.R.T.	Ref. No.	Part No.	Description	Reqd. No. CX 400 600	Serial No.	Area code
VALVE SET, AIR CUT	0-1	1	16010-MA1-601	PACKING SET	2		
PISTON SET, VACUUM	0-3		16010-413-901	PACKING SET	2		
CHAMBER SET, FLOAT	0-5	2	16012-KCE-004	NEEDLE SET, JET	2		
FLOAT SET	0-7		16012-MA1-601	NEEDLE SET, JET	2		
CARBURETOR ASSY.		3	16015-413-851	FLOAT SET	2	2	
VALVE COMP., FLOAT		4	16015-413-004	CHAMBER SET, FLOAT	2	2	
JET, MAIN, NEEDLE SET, JET	0-9	5	16016-402-004	SCREW SET A	2	2	
CARBURETOR ASSY., R.		6	16019-MA1-601	ARM SET, LINK	1	1	
CARBURETOR ASSY., L.		7	16022-470-671	PISTON SET, VACUUM	2	2	
PACKING SET (ADD 0-4 FOR EACH.)	1-2		16044-425-771	PISTON SET, VACUUM	2		
		8	16028-425-671	SCREW SET B	1	1	
		9	16029-415-004	SCREW SET C	1	1	
		10	16037-425-671	JOINT SET E, FUEL	1	1	
		11	16048-429-771	VALVE SET, AIR CUT	2	2	
		12	16050-415-003	SPRING, VACUUM PISTON	2	2	
			16050-443-701	SPRING, VACUUM PISTON	2		
		13	16051-413-004	SPRING, COMPRESSION COIL	2	2	



**E 6**

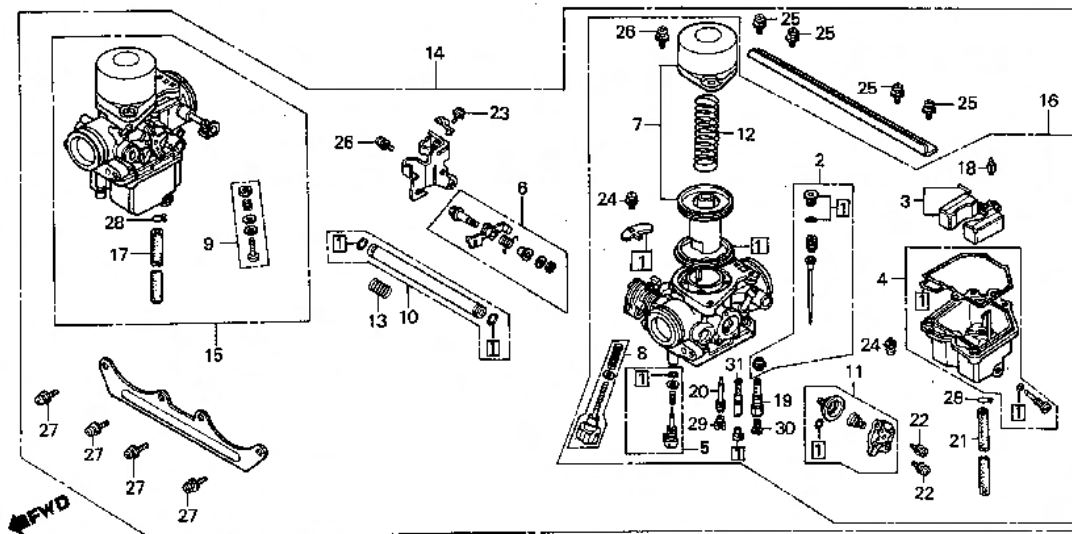
**E-22**

Carburetor

Carburateur

Vergaser

Carburador



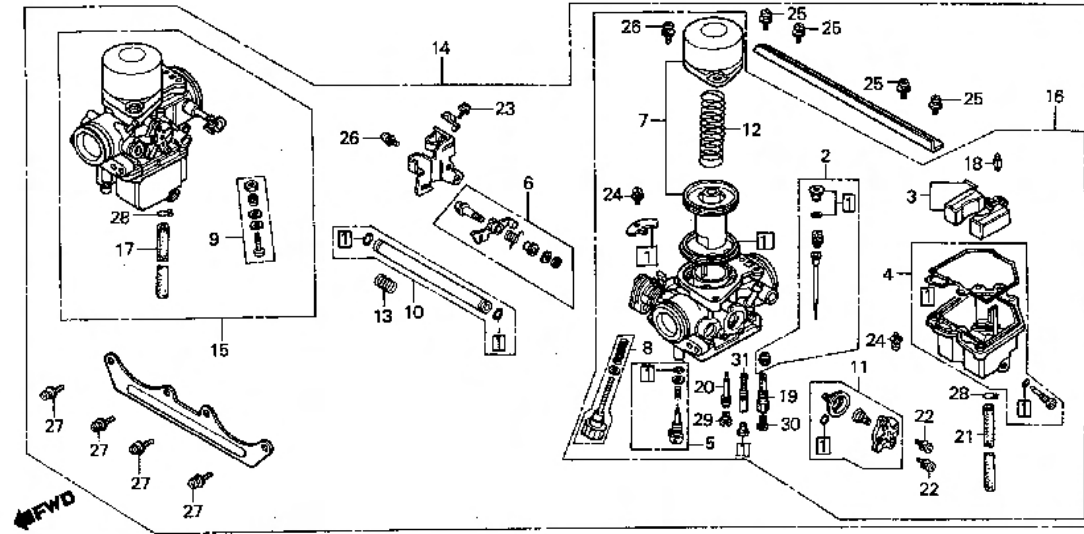
BMC5-2

Service item	F.R.T.	Ref. No.	Part No.	Description	Reqd. No. CX 400 500	Serial No.	Area code
		14	16100-KC8-004	CARBURETOR ASSY.	1		E, ED, F, IT, ND, SW, U
			16100-MA1-601	CARBURETOR ASSY.	1		1G
			16100-MA1-611	CARBURETOR ASSY.	1		2G
			16100-MA1-651	CARBURETOR ASSY.	1		
		15	16101-KC8-004	CARBURETOR ASSY., R.	1		E, ED, F, IT, ND, SW, U
			16101-MA1-601	CARBURETOR ASSY., R.	1		1G
			16101-MA1-611	CARBURETOR ASSY., R.	1		2G
			16101-MA1-651	CARBURETOR ASSY., R.	1		
		16	16102-KC8-004	CARBURETOR ASSY., L.	1		E, ED, F, IT, ND, SW, U
			16102-MA1-601	CARBURETOR ASSY., L.	1		1G
			16102-MA1-611	CARBURETOR ASSY., L.	1		2G
			16102-MA1-651	CARBURETOR ASSY., L.	1		
		17	16144-MA1-671	TUBE, OVER FLOW	1	1	
		18	16155-413-751	VALVE COMP., FLOAT	2	2	
		19	16165-449-771	HOLDER, NEEDLE JET	2	2	
		20	16166-413-004	NOZZLE, MAIN	2		
			16166-415-003	NOZZLE, MAIN	2		
		21	16198-460-671	TUBE, OVERFLOW	1	1	

**E 7**

**E-22**

Carburetor  
 Carburateur  
 Vergaser  
 Carburador



BMC5-2

Service item	F.R.T.	Ref. No.	Part No.	Description	Reqd. No.		Serial No.	Area code
					CX	500		
		22	93892-04010-00	SCREW-WASHER, 4X10	4	4		
		23	93892-04012-00	SCREW-WASHER, 4X12	1	1		
		24	93892-04016-00	SCREW-WASHER, 4X16	8	8		
		25	93892-05012-00	SCREW-WASHER, 5X12	4	4		
		26	93892-05016-00	SCREW-WASHER, 5X16	5	5		
		27	93892-06014-00	SCREW-WASHER, 6X14	4	4		
		28	95002-02650	CLIP 86.5, TUBE	2	2		
		29	99101-393-0750	JET, MAIN, #75	2	2		
			99101-393-0780	JET, MAIN, #78	2	2		
		30	99102-393-1100	JET, SECONDARY MAIN, #110	2	2		
			99102-393-1110	JET, MAIN, #111	2	2		2G
			99102-393-1120	JET, MAIN, #112	2	2		E,ED,F,IT,ND,SW,U,1G
		31	99103-MA1-0450	JET, SLOW, #45	2	2		1G
			99103-420-0380	JET, SLOW, #38	2	2		
			99103-441-0450	JET, SLOW, #45	2	2		E,ED,F,IT,ND,SW,U,2G



## EOP-1

Gasket kit A

Trousse de joint A

Dichtung Satz A

Equipode empacadura A

Service item	F.R.T.	Ref. No.	Part No.	Description	Reqd. No.		Serial No.	Area code
					CX	500		
			061A1-MA1-010	GASKET KIT A (COMPONENT PARTS)	1	1		
		1	12209-300-003	SEAL, VALVE STEM	8	8		
		2	12230-449-700	GASKET, CAMSHAFT HOLDER	1	1		
		3	12251-415-014	GASKET, CYLINDER HEAD	2	2		
		4	12320-415-000	GASKET, HEAD COVER	2	2		
		5	12329-415-000	GASKET, PLUG HOLE	2	2		
		6	18291-286-000	GASKET, EX. PIPE	2	2		
		7	91302-044-013	O-RING, 6.9X1.5	2	2		
		8	91302-371-003	O-RING, 21.9X2.3	5	5		
		9	91302-657-000	O-RING, 53.8X3.1	1	1		
		10	91307-611-000	O-RING, 13.5X1.4	1	1		
		11	91312-415-000	O-RING, 6.5X3.1	1	1		
		12	91325-567-005	O-RING, 40X2.4	2	2		
		13	94608-50000	O-RING, 23X2.8	2	2		



## EOP-2

Gasket kit B

Trousse de joint B

Dichtung Satz B

Equipode empacadura B

Service item	F.R.T.	Ref. No.	Part No.	Description	Reqd. No.		Serial No.	Area code
					CX	500		
			06161-MA1-010	GASKET KIT B (COMPONENT PARTS)	1	1		
		1	11372-449-700	GASKET, CLUTCH COVER	1	1		
		2	11391-449-700	GASKET, TRANSMISSION COVER	1	1		
		3	11394-449-700	GASKET, KR. COVER	1	1		
		4	11396-415-000	GASKET, WATER PUMP BASE	1	1		
		5	16997-357-003	O-RING, 11.8X2.4	2	2		
		6	30375-MA1-000	GASKET A, PULSER COVER	1	1		
		7	91301-250-000	O-RING, 22X3.0	1	1		
		8	91301-268-020	O-RING, 14MM	4	4		
		9	91302-001-000	O-RING, 27.5MM	2	2		
		10	91302-377-000	O-RING, 15X2.5	2	2		
		11	91303-001-000	O-RING, 8MM	1	1		
		12	91309-300-000	O-RING, 24.4X3.1	1	1		
		13	91311-415-000	O-RING, 81X4.5	1	1		



**EOP-2**

**Gasket kit B**

**Trousse de joint B**

**Dichtung Satz B**

**Equipode empacadura B**

Service item	F.R.T.	Ref. No.	Part No.	Description	Reqd. No. CX 400 500	Serial No.	Area code
		14	94608-50000	O-RING, 23X2.8	2 2		

**F 2**

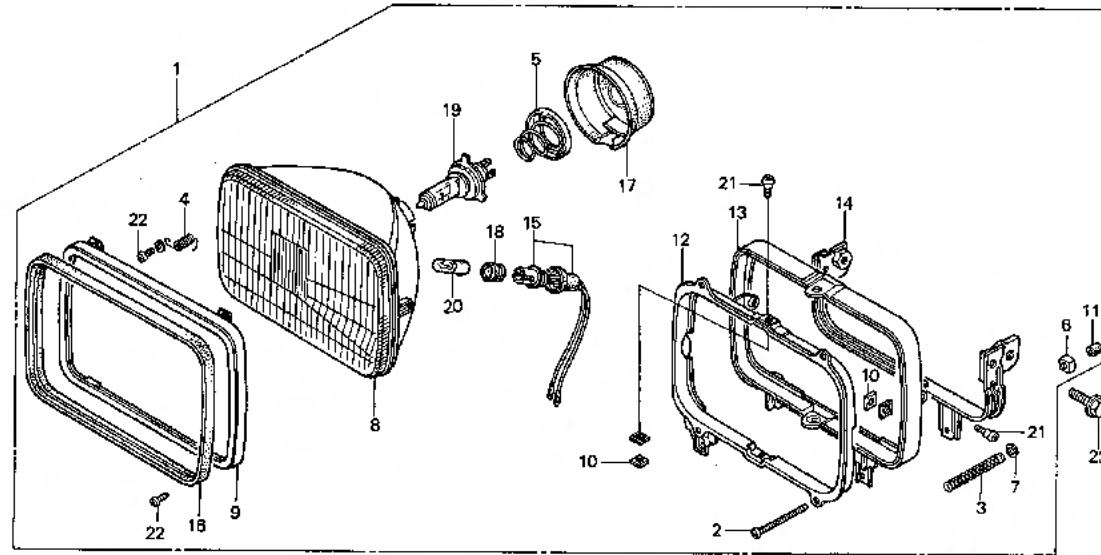
**F-1**

Headlight

Phare

Scheinwerfer

Faro delantero



BMC5-3

Service item	F.R.T.	Ref. No.	Part No.	Description	Reqd. No. CX 400 500	Serial No.	Area code
H4 BULB(12342/99) MFD. BY PHILIPS	0-1	1	33100-MC5-003	HEADLIGHT ASSY.	1		U
HEADLIGHT ASSY.	0-2		33100-MC5-601	HEADLIGHT ASSY.	1		E
SOCKET ASSY., POSITION LIGHT			33100-MC5-611	HEADLIGHT ASSY.	1		ED,IT,ND,SW,1G,2G
HEADLIGHT UNIT	0-3		33100-MC5-621	HEADLIGHT ASSY.	1		F
(INC. RELATIVE PART)		2	33103-MC5-003	SCREW, BEAM ADJUST	2		
BRACKET, HEADLIGHT		3	33107-300-003	SPRING, HEADLIGHT BEAM	2		
RING, MOUNTING	0-4			ADJUSTING			
RING B, MOUNTING		4	33108-MC5-000	SPRING, ADJUST	1		
		5	33114-MC5-003	HOLDER COMP., HEADLIGHT BULB	1		
		6	33118-438-841	NUT, BEAM ADJUSTING	2		
		7	33119-371-003	WASHER, BEAM ADJUSTING	2		
		8	33120-MC5-003	HEADLIGHT UNIT	1		U
			33120-MC5-601	HEADLIGHT UNIT	1		E,ED,IT,ND,SW,1G,2G
			33120-MC5-611	HEADLIGHT UNIT	1		F

**F 3**

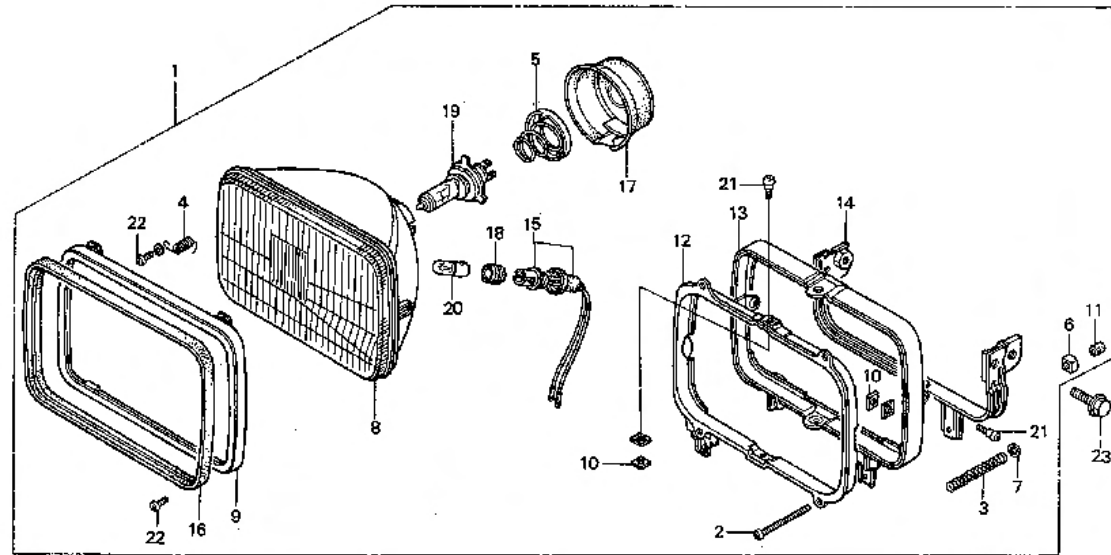
**F-1**

**Headlight**

**Phare**

**Scheinwerfer**

**Faro delantero**



BMCS-3

Service item	F.R.T.	Ref. No.	Part No.	Description	Reqd. No. Cx 400 500	Serial No.	Area code
		9	33121-MC5-003	RING, RETAINING	1		
		10	33128-438-841	NUT, UNIT HOLDER	4		
		11	33136-426-830	COVER, SCREW	2		
		12	33153-MC5-003	RING, MOUNTING	1		
		13	33154-MC5-003	RING L, MOUNTING	1		
		14	33156-MC5-003	BRACKET, HEADLIGHT	1		
		15	33170-MC5-611	SOCKET ASSY., POSITION LIGHT	1		
		16	33171-MC5-000	RUBBER, HEADLIGHT SEAL	1		
		17	33180-MC5-003	COVER, RUBBER	1		
		18	33905-371-601	RUBBER, JOINT	1		
		19	34901-371-601	H4 BULB(12342/99) MFD. BY PHILIPS (LOCAL PROCUREMENT PART)	1		E,ED,IT,NO,SW,U,IG,2G
			34901-371-621	H4 BULB(12342/99) MFD. BY PHILIPS (LOCAL PROCUREMENT PART)	1		F
		20	34903-071-003	BULB, MARKER LIGHT (12V 3.4w) (STANLEY)	1		U

**F 4**

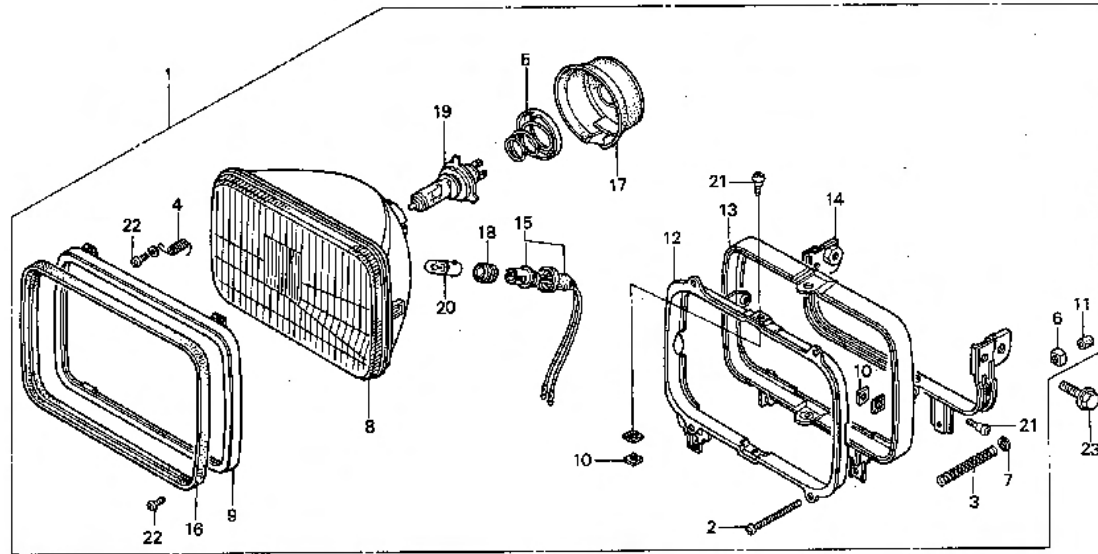
**F-1**

Headlight

Phare

Scheinwerfer

Faro delantero



BMC5-3

Service item	F.R.T.	Ref. No.	Part No.	Description	Reqd. No. Cx 400 500	Serial No.	Area code
			34903-388-611	BULB, POSITION (12V 4W) (LOCAL PROCUREMENT PART)	1 1		E, ED, F, IT, ND, SW, 1G, 2G
		21	90150-463-771	SCREW, PAN, 5X10	2 2		
		22	93500-03008-1A	SCREW, PAN, 3X8	4 4		
		23	95700-10020-07	BOLT, FLANGE, 10X20	2 2		

1982-01-10

F4



**F 5**

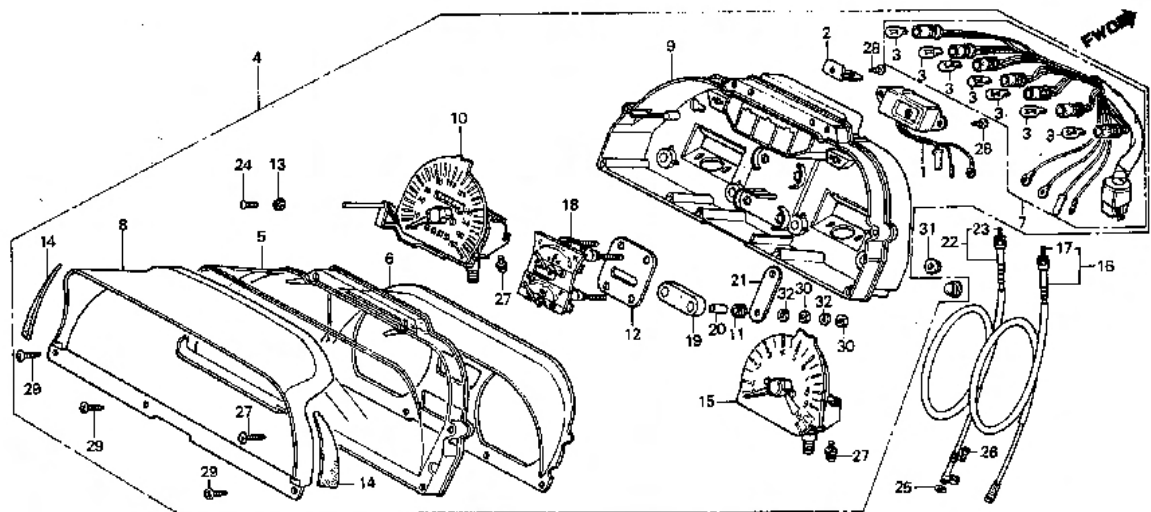
**F-2**

**Meter**

**Compteurs**

**Messer**

**Medidor**



BMC5-4

Service Item	F.R.T.	Ref. No.	Part No.	Description	Reqd. No. Cx 400 500	Serial No.	Area code
CABLE, SPEEDOMETER INNER	0.1	1	31410-MC5-008	REGULATOR, TV	1		
GLASS	0.2	2	32445-MC5-008	HOLDER, COUPLER, 9P	1		
PLATE		3	34908-GA7-701	BULB, WEDGE BASE (12V3.4w)	7		
COVER, METER UPPER		4	37100-MC5-601	METER ASSY., COMBINATION	1		E
CABLE ASSY., SPEEDOMETER			37100-MC5-611	METER ASSY., COMBINATION	1		ED,F,IT,ND,SW,IG,2G
REGULATOR	0.3		37100-MC5-711	METER ASSY., COMBINATION	1		U
METER ASSY., COMBINATION		5	37102-MC5-008	GLASS	1		
SOCKET COMP. A	0.4						
SPEEDOMETER ASSY.		6	37103-MC5-601	PLATE, REFLECTING	1		
TACHOMETER ASSY.		7	37105-MC5-601	SOCKET COMP. A	1		
CABLE ASSY., TACHOMETER		8	37110-MC5-008	COVER, METER UPPER	1		
CASE, METER LOWER	0.5	9	37120-MC5-601	CASE, METER LOWER	1		
METER COMP., FUEL		10	37200-MC5-601	SPEEDOMETER ASSY.	1		E
			37200-MC5-611	SPEEDOMETER ASSY.	1		ED,F,IT,ND,SW,U,IG,2G

**F 6**

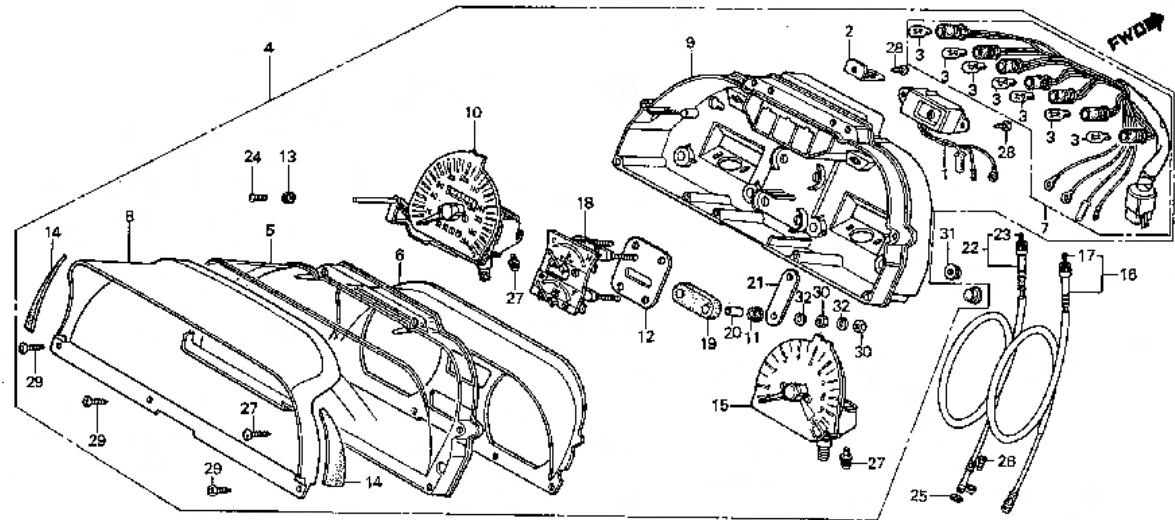
**F-2**

Meter

Compteurs

Messer

Medidor



BMC5-4

Service item	F.R.T.	Ref. No.	Part No.	Description	Reqd. No. CX 400 500	Serial No.	Area code
		11	37203-MC7-611	RUBBER, METER SETTING	4 4		
		12	37204-MC5-008	STAY, FUEL TEMPERATURE MEIER	1 1		
		13	37204-MC7-611	KNOB, TRIP METER	1 1		
		14	37215-MC5-008	SEAL	2 2		
		15	37250-MC5-601 37250-MC5-711	TACHOMETER ASSY. TACHOMETER ASSY.	1 1 1		E, ED, F, IT, NU, SW, IG, 2G U
		16	37260-449-840	CABLE ASSY., TACHOMETER	1 1		
		17	37261-300-000	CABLE, TACHOMETER INNER	1 1		
		18	37300-MC5-008	METER COMP., FUEL	1 1		
		19	37302-MC7-611	CUSHION, FUEL TEMPERATURE METER	2 2 4 4		
		20	37303-MC7-611	COLLAR, FUEL TEMPERATURE METER	4 4		
		21	37305-MC5-008	WASHER	1 1		
		22	44830-MC5-000	CABLE ASSY., SPEEDOMETER	1 1		



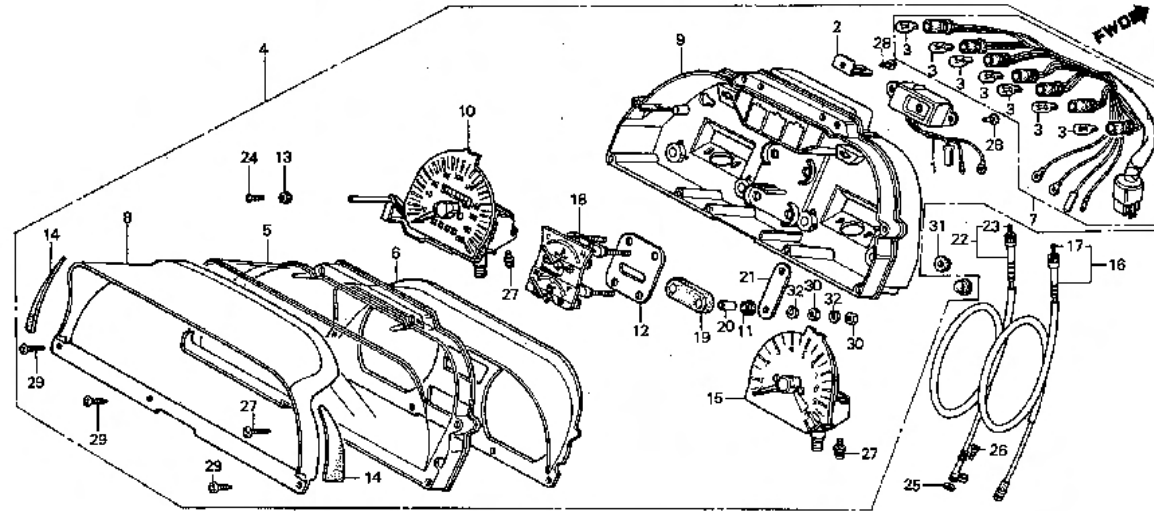
F-2

Meter

Compteurs

Messer

Medidor



BMC5-4

Service item	F.R.T.	Ref. No.	Part No.	Description	Reqd. No.		Serial No.	Area code
					400	500		
		23	44831-473-000	CABLE, SPEEDOMETER INNER	1	1		
		24	90600-MC7-611	SCREW, FLAT, 2.3X8	1	1		
		25	91301-027-000	O-RING, 0.8X19	1	1		
		26	93700-05020-DG	SCREW, OVAL 5X20	1	1		
		27	93893-04008-00	SCREW-WASHER, 4X8	4	4		
		28	93903-24320	SCREW, TAPPING, 4X12	3	3		
		29	93903-34420	SCREW, TAPPING, 4X16	7	7		
		30	94002-04000-0S	NUT, HEX., 4MM	7	7		
		31	94050-06000	NUT, FLANGE, 6MM	4	4		
		32	94111-04800	WASHER, SPRING, 4MM	7	7		

**F 8**

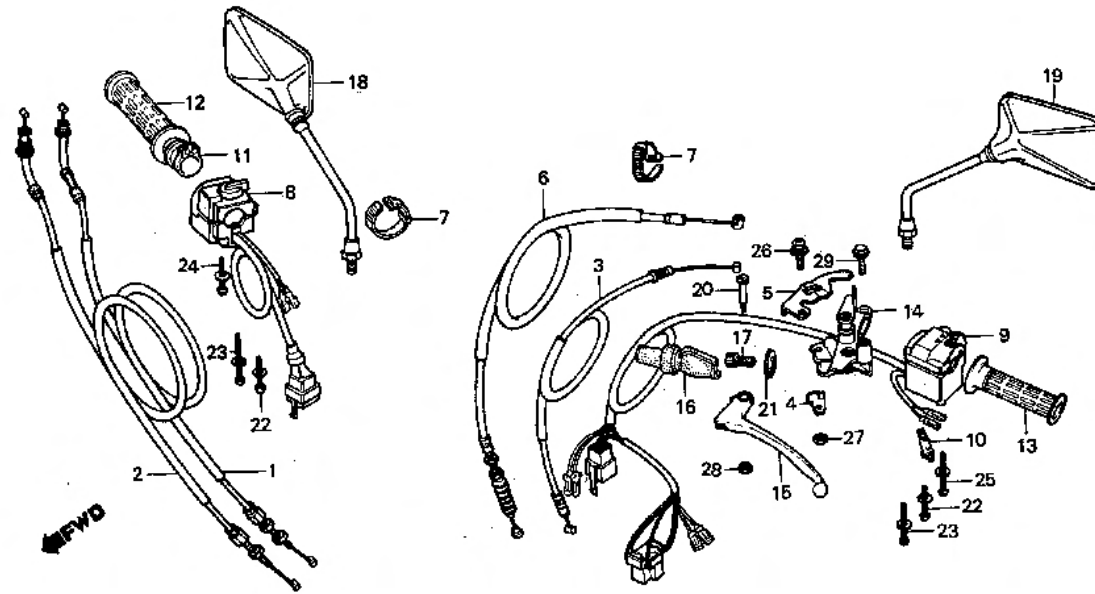
**F-3**

Handle lever • Switch • Cable

Levier de poignée • Interrupteur • Câble

Lenkstangenhebel • Schalter • Kabel

Palanca de manubrio • Interruptor • Cable



BMC5-5

Service item	F.R.T.	Ref. No.	Part No.	Description	Reqd. No.		Serial No.	Area code
					CX	500		
GRIP, R. HANDLE	0-1	1	17910-MC5-000	CABLE COMP. A, THROTTLE	1	1		
•LEVER, L. STEERING HANDLE		2	17920-MC5-000	CABLE COMP. B, THROTTLE	1	1		
SWITCH COMP., FR. LEVER	0-2	3	17950-MC5-000	CABLE COMP., CHOKE	1	1		
CABLE COMP., CHOKE	0-3	4	17963-422-000	HOLDER, CHOKE CABLE	1	1		
•CABLE COMP., CLUTCH		5	17964-MA2-000	COVER, CHOKE ARM	1	1		
•PIPE, THROTTLE GRIP								
BRACKET ASSY., HANDLE LEVER	0-4	6	22870-MC5-000	CABLE COMP., CLUTCH	1	1		
CABLE COMP. A, THROTTLE	0-5	7	32161-404-000	BAND 81, WIRE	2	2		
(ONE OR ALL)		8	35160-MC5-000	SWITCH ASSY., STARTER KILL	1	1		
•SWITCH ASSY., WINKER								
SWITCH ASSY., STARTER KILL	0-6	9	35200-MC5-003	SWITCH ASSY., WINKER	1	1		E, ED, F, ND, SW, U, 1G, 2G
			35200-MC5-631	SWITCH ASSY., WINKER	1	1		IT
		10	35330-413-003	SWITCH COMP., FR. LEVER	1	1		
		11	53141-422-000	PIPE, THROTTLE GRIP	1	1		
		12	53165-422-000	GRIP, R. HANDLE	1	1		



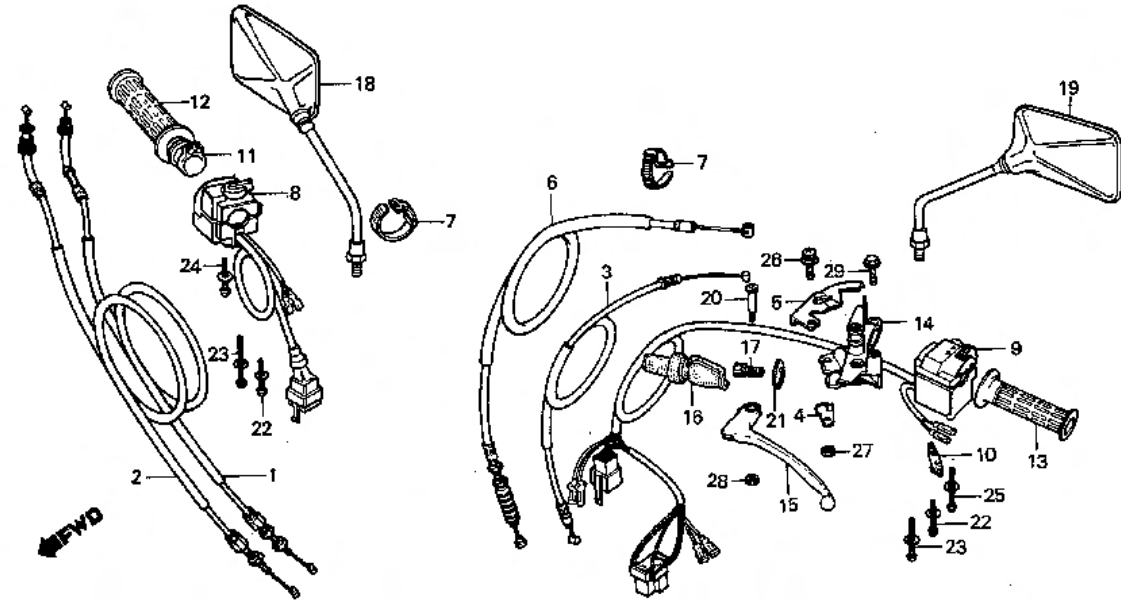
### F-3

Handle lever • Switch • Cable

Levier de poignée • Interrupteur • Câble

Lenkstangenhebel • Schalter • Kabel

Palanca de manubrio • Interruptor • Cable



BMC5-5

Service item	F.R.T.	Ref. No.	Part No.	Description	Reqd. No. CX 400 500	Serial No.	Area code
		13	53166-422-000	GRIP, L. HANDLE	1 1		
		14	53170-MC5-000	BRACKET ASSY., HANDLE LEVER	1 1		
		15	53178-MA6-000	LEVER, L. STEERING HANDLE	1 1		
		16	53180-425-010	BOOT, HANDLE LEVER	1 1		
		17	53192-425-000	BDLT, CABLE ADJUSTING	1 1		
		18	88110-MC5-004	MIRROR, R. BACK	1		ED,IT,ND,Sw,IG,2G
			88110-MC5-601	MIRROR, R. BACK	1 1		E,F
			88110-MC5-711	MIRROR, R. BACK	1		U
		19	88120-MC5-004	MIRROR, L. BACK	1		ED,IT,ND,Sw,IG,2G
			88120-MC5-601	MIRROR, L. BACK	1 1		E,F
			88120-MC5-711	MIRROR, L. BACK	1		U
		20	90113-438-000	BOLT, L. STEERING HANDLE LEVER PIVOT	1 1		
		21	90321-422-000	NUT, FIXING	1 1		
		22	93891-05028-07	SCREW-WASHER, 5X28	2 2		
		23	93891-05030-07	SCREW-WASHER, 5X30	2 2		
		24	93891-05040-07	SCREW-WASHER, 5X40	1 1		
		25	93891-05045-07	SCREW-WASHER, 5X45	1 1		

**F 10**

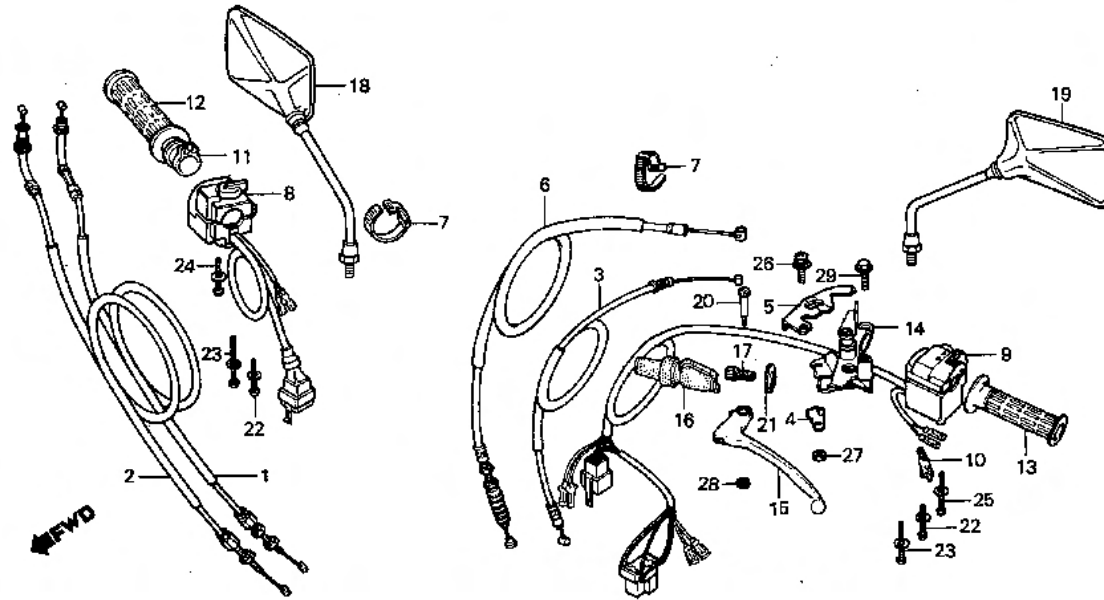
**F-3**

Handle lever • Switch • Cable

Levier de poignée • Interrupteur • Câble

Lenkstangenhebel • Schalter • Kabel

Palanca de manubrio • Interruptor • Cable



BMC5-5

Service item	F.R.T.	Ref. No.	Part No.	Description	Reqd. No.		Serial No.	Area code
					CX	500		
		26	93893-05018-07	SCREW-WASH, 5X18	1	1		
		27	94001-05070-05	NUT, HEX., 5MM	1	1		
		28	94002-06000-05	NUT, HEX., 6MM	1	1		
		29	95700-06025-07	BOLT, FLANGE, 6X25	1	1		

# F 11

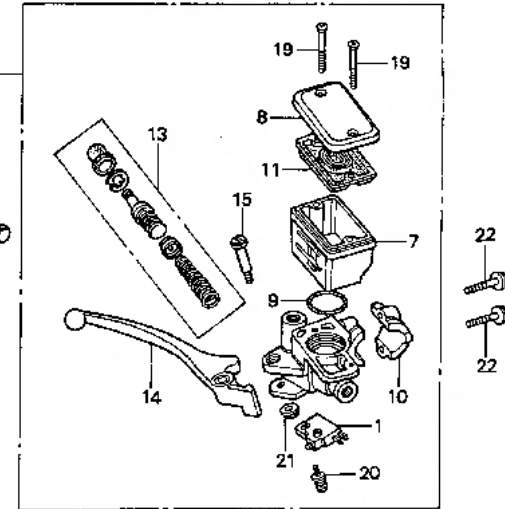
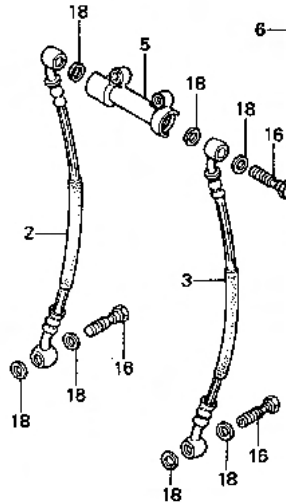
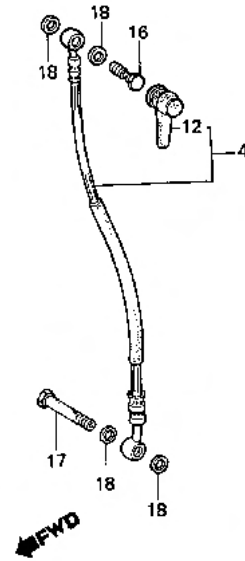
## F-4

Front brake master cylinder

Maître cylindre de frein avant

Vorderradbremse-Hauptzylinder

Cilindro maestro de freno delantero



BMC5-6

Service item	F.R.T.	Ref. No.	Part No.	Description	Reqd. No. CX 400 500	Serial No.	Area code
SWITCH ASSY., FR. STOP	0.1	1	35340-MA5-671	SWITCH ASSY., FR. STOP	1 1		
DIAPHRAGM		2	45124-MC5-003	HOSE A, R. FR. BRAKE	1 1		
LEVER COMP., R. HANDLE		3	45125-MC5-003	HOSE A, L. FR. BRAKE	1 1		
CUP, OIL	0.2	4	45126-MC5-003	HOSE ASSY., FR. BRAKE	1 1		
HOSE ASSY., FR. BRAKE (WHEN SERVICING COMP., UNIT, F.R.T. IS 0.4.)	0.3	5	45127-MA1-003	JOINT, TWO WAY (NISSHIN)	1 1		
JOINT, TWO WAY		6	45500-445-631	CYLINDER ASSY., FR. MASTER	1 1		
CYLINDER ASSY., FR. MASTER		7	45511-MA5-671	CUP, OIL	1 1		
CYLINDER SET, MASTER	0.4	8	45513-MA5-671	CAP, OIL LUP	1 1		
		9	45516-166-006	O-RING	1 1		
		10	45517-MA5-671	HOLDER, MASTER CYLINDER	1 1		
		11	45520-MA5-671	DIAPHRAGM	1 1		
		12	45522-422-000	BOOT, MASTER CYLINDER	1 1		
		13	45530-MA4-671	CYLINDER SET, MASTER	1 1		
		14	53175-MA5-671	LEVER COMP., R. HANDLE	1 1		
		15	90114-MA5-671	BOLT, R. STEERING HANDLE LEVER PIVOT	1 1		

# F 13

## F-5

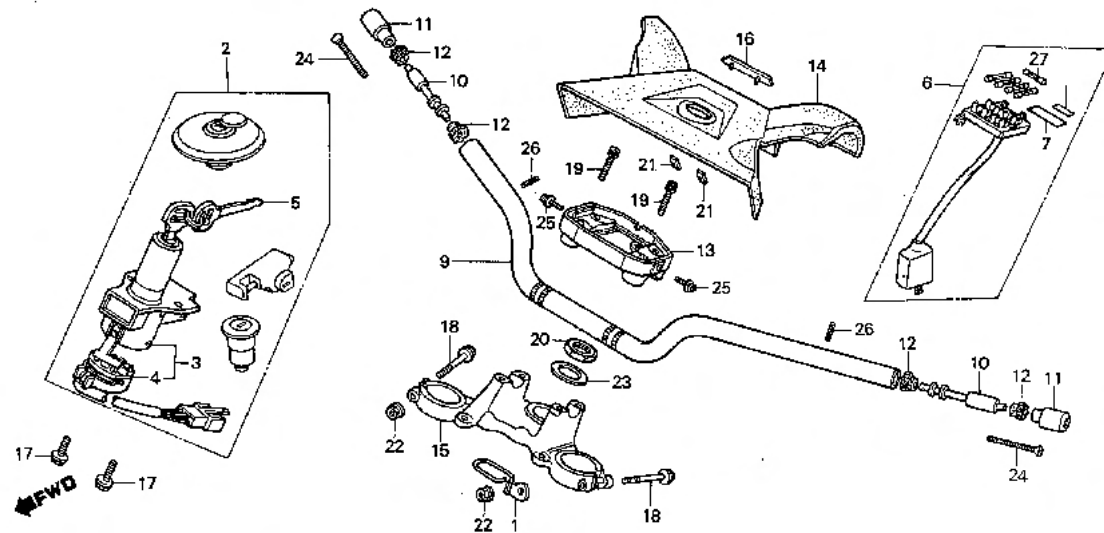
Handle pipe - Top bridge

Guidon - Haut de fourche

Lenkrohr - Obere Brücke

Tubo do manubrio -

Puente superior



BMC5-7

Service item	F.R.T.	Ref. No.	Part No.	Description	Reqd. No. CX 400 500	Serial No.	Area code
COVER, HANDLE	0.1	1	22875-MC7-000	CLIP, CLUTCH CABLE	1		
PLATE ASSY., FUSE	0.3	2	35010-MC5-000	KEY SET	1		
WEIGHT B, HANDLE			35010-MC5-610	KEY SET	1		E,F,ED,U,IT,SW
HOLDER, HANDLE UPPER					1		ND,1G,2G
SWITCH ASSY., COMBINATION & LOCK	0.4	3	35100-MC5-007	SWITCH ASSY., COMBINATION & LOCK	1		E,ED,F,IT,SW,U
BASE COMP., CONTACT			35100-MC5-610	SWITCH ASSY., COMBINATION & LOCK	1		ND,1G,2G
BRIDGE, FORK TOP	0.5	4	35101-MC5-000	BASE COMP., CONTACT	1		E,ED,F,IT,SW,U
KEY SET	0.6		35101-MC5-610	BASE COMP., CONTACT	1		ND,1G,2G
PIPE, STEERING HANDLE	0.7	5	35121-443-811	KEY, NO1 BLANK	(1)	(1)	E,ED,F,IT,SW,U
			35121-443-812	KEY, NO1 BLANK	(1)	(1)	ND,1G,2G
			35122-443-811	KEY, NO2 BLANK	(1)	(1)	E,ED,F,IT,SW,U
			35122-443-812	KEY, NO2 BLANK	(1)	(1)	ND,1G,2G
		6	38201-MC5-005	LABEL, FUSE BOX	1		E,ED,IT,ND,SW,U,1G,2G
			30201-MC5-621	LABEL, FUSE BOX	1		F
		7	38215-MC5-005	LABEL, FUSE BOX	1		E,ED,IT,ND,SW,U,1G,2G



# F 14

## F-5

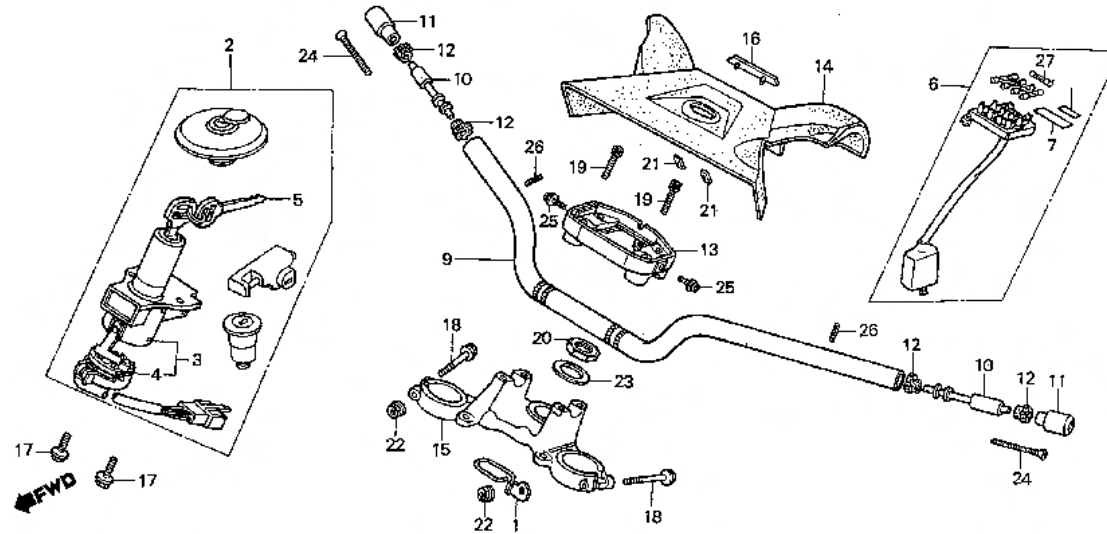
Handle pipe • Top bridge

Guidon • Haut de fourche

Lenkrohr • Obere Brücke

Tubo do manubrio •

Puente superior



BMC5-7

Service item	F.R.T.	Ref. No.	Part No.	Description	Reqd. No. CX 400 500	Serial No.	Area code
			38215-MC5-621	LABEL, FUSE BOX	1 1		F
		8	39216-MC5-621	LABEL, FUSE BOX	1 1		F
		9	53100-MC5-000	PIPE, STEERING HANDLE	1 1		
		10	53101-MC5-000	WEIGHT B, HANDLE	2 2		
		11	53102-MC7-000	WEIGHT A, HANDLE	2 2		
		12	53107-121-730	RUBBER, HANDLE WEIGHT	4 4		
		13	53131-MC5-000	HOLDER, HANDLE UPPER	1 1		
		14	53205-MC5-000	COVER, HANDLE	1 1		
		15	53230-MC5-000	BRIDGE, FORK TOP	1 1		E, ED, F, IT, SW, U
			53230-MC5-610	BRIDGE, FORK TOP	1		ND, 1G, 2G
		16	87106-MC7-300	EMBLEM, HANDLE COVER	1 1		
		17	90105-K87-000	BOLT, FLANGE, 8X19	2 2		E, ED, F, IT, SW, U
			90105-MC7-610	BOLT, COMBINATION SWITCH SETTING	2		ND, 1G, 2G
		18	90155-369-000	BOLT, FLANGE, 7X54	2 2		

# F 15

## F-5

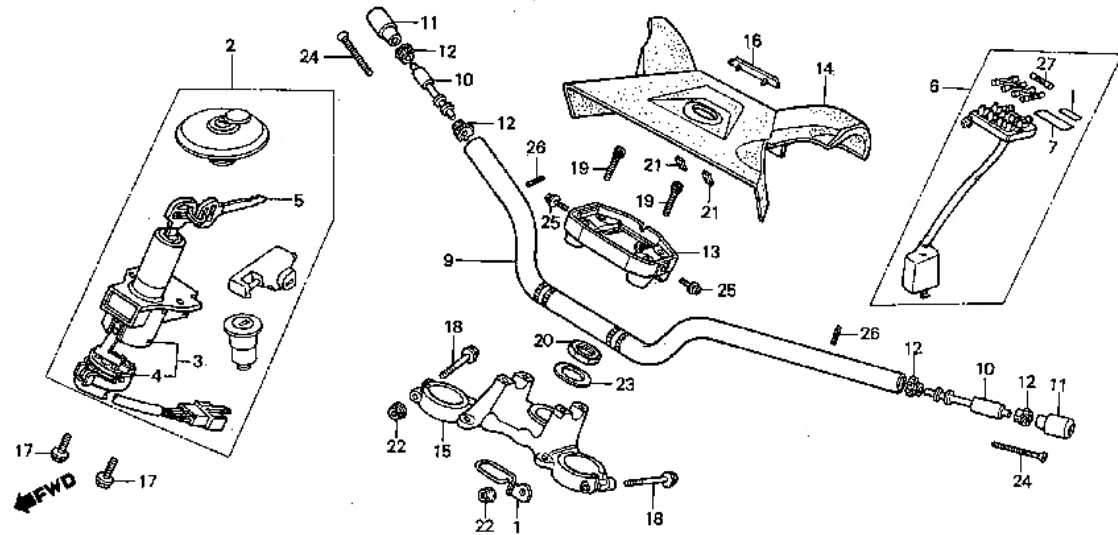
Handle pipe • Top bridge

Guidon • Haut de fourche

Lenkrohr • Obere Brücke

Tubo do manubrio •

Puente superior



BMC5-7

Service item	F.R.T.	Ref. No.	Part No.	Description	Reqd. No.		Serial No.	Area code
					CX	500		
		19	90185-371-000	BOLT, HEX. SOCKET, 8X32	4	4		
		20	90304-KA2-000	NUT, STEERING STEM	1	1		
		21	90315-504-000	NUT, SPEED, 3MM	2	2		
		22	90355-369-000	NUT, FLANGE, 7MM	2	2		
		23	90503-ME1-670	WASHER, STEERING STEM	1	1		
		24	93700-06050-0G	SCREW, OVAL, 6X50	2	2		
		25	93891-05012-07	SCREW-WASHER, 5X12	2	2		
		26	94305-40222	PIN, SPRING, 4X22	2	2		
		27	98200-21000	FUSE B (10A)	5	5		

**F 16**

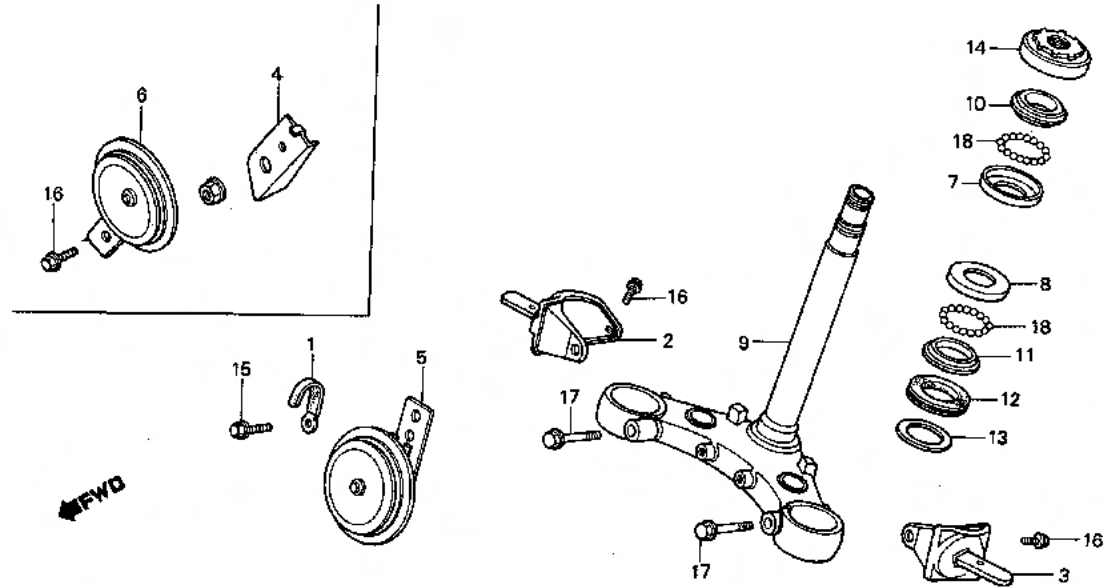
**F-6**

**Steering stem**

**Tige de direction**

**Steuerkopfschaft**

**Varilla de dirección**



BMC5-8

Service item	F.R.T.	Ref. No.	Part No.	Description	Reqd. No. CX 400 500	Serial No.	Area code
HORN COMP.	0.2	1	32901-MA1-000	CLIP, SUB CORD	1 1		
RACE, STEERING TOP CONE	0.5	2	33410-MC5-000	STAY, R. WINKER	1 1		E, ED, F, IT, SW, U, 1G, 2G
•THREAD COMP., STEERING HEAD			33410-MC5-680	STAY, R. WINKER	1 1		ND
			33610-MC5-000	STAY, L. WINKER	1 1		E, ED, F, IT, SW, U, 1G, 2G
RACE, STEERING TOP BALL	1.0		33610-MC5-680	STAY, L. WINKER	1 1		ND
•RACE, STEERING BOTTOM BALL (ONE OR ALL)		4	38102-MC5-630	STAY, HGRN	1 1		IT
•RACE, STEERING BOTTOM CONE		5	38110-438-004	HORN COMP. (HIGH)	1 1		U
STEM COMP., STEERING	1.1		38110-438-601	HORN COMP. (HIGH)	1 1		E, ED, F, IT, ND, SW, 1G, 2G
		6	38120-MC5-631	HORN COMP. (LOW)	1 1		IT
		7	50301-268-000	RACE, STEERING TOP BALL	1 1		
		6	50302-268-000	RACE, STEERING BOTTOM BALL	1 1		
		9	53200-MC5-000	STEM COMP., STEERING	1 1		
		10	53211-268-000	RACE, STEERING TOP CONE	1 1		

**G 1**

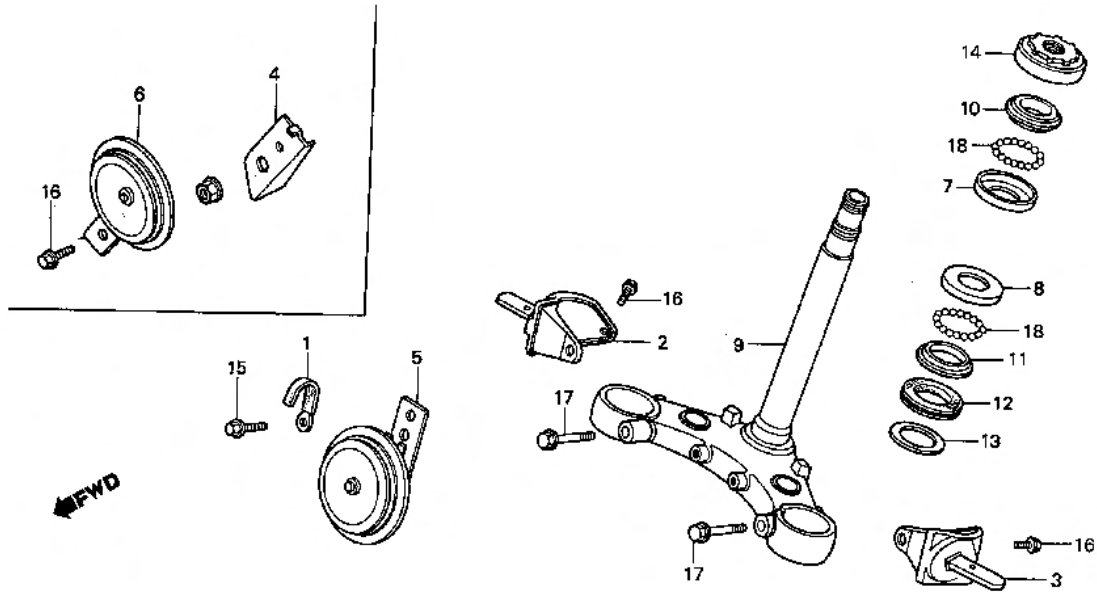
**F-6**

Steering stem

Tige de direction

Steuerkopfschaft

Varilla de dirección



BMC5-8

Service item	F.R.T.	Ref. No.	Part No.	Description	Reqd. No.		Serial No.	Area code
					CX	800		
		11	53212-250-000	RACE, STEERING BOTTOM CONE	1	1		
		12	53214-250-000	DUST SEAL, STEERING HEAD	1	1		
		13	53215-250-000	WASHER, STEERING HEAD	1	1		
		14	53220-M65-000	THREAD COMP., STEERING HEAD TOP	1	1		
		15	95700-06010-00	BOLT, FLANGE, 6X10	1	1		
		16	95700-06012-07	BOLT, FLANGE, 6X12	2	2		
		17	95700-10035-07	BOLT, FLANGE, 10X35	2	2		
		18	96211-08000	BALL, STEEL, #8 (1/4)	37	37		

1982.01-10

01

**G 2**

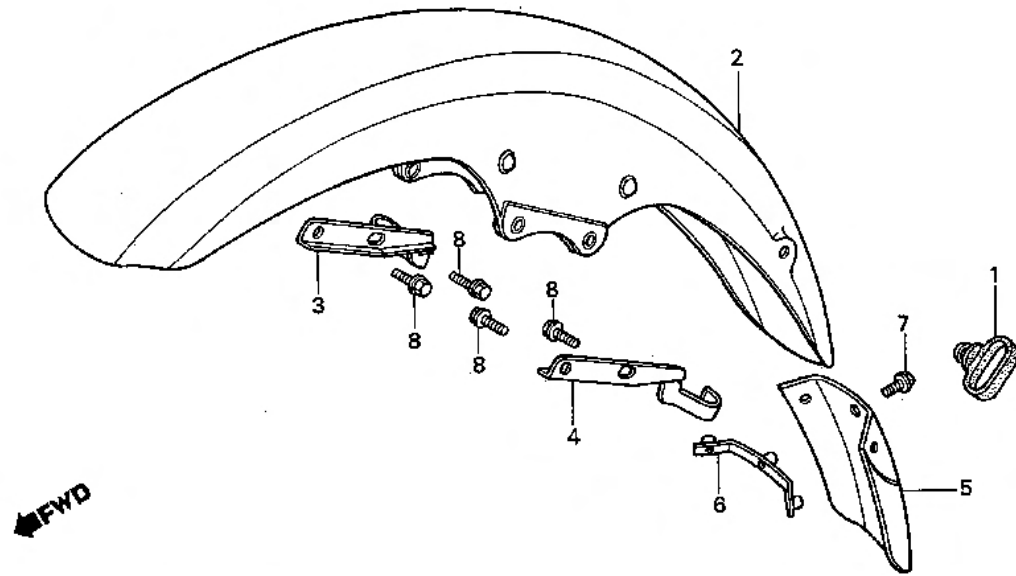
**F-7**

Front fender

Garde-boue avant

Vorderer Kotflügel

Parafango delantero



BMC5-9

Service item	F.R.T.	Ref. No.	Part No.	Description	Reqd. No.		Serial No.	Area code
					CX	500		
FENDER COMP., FR.	0.3	1	45451-471-000	GROMMET, WIRE	1	1		
		2	61100-MC5-000ZA	FENDER COMP., FR. *NH-1*	1	1		E,ED,F,IT,SW,U,IG,2G
			61100-MC5-000ZB	FENDER COMP., FR. *NH-121P-A*	1	1		E,ED,F,IT,SW,U,IG,2G
			61100-MC5-000ZC	FENDER COMP., FR. *R-110*	1	1		E,EU,F,IT,SW,U,IG,2G
			61100-MC5-680ZA	FENDER COMP., FR. *NH-1*	1	1		ND
			61100-MC5-680ZB	FENDER COMP., FR. *NH-121P-A*	1	1		ND
			61100-MC5-680ZC	FENDER COMP., FR. *R-110*	1	1		ND
		3	61101-MC5-000	GUIDE, R. FR. FENDER	1	1		
		4	61102-MC5-000	GUIDE, L. FR. FENDER	1	1		
		5	61105-MC5-680	MUDGUARD, FR. FENDER	1	1		ND
		6	61106-MC5-680	STAY, FR. MUDGUARD	1	1		ND
		7	93891-05010-00	SCREW-WASHER, 5X10	3	3		ND
8	95700-96016-08	BOLT, FLANGE, 6X16	4	4				

**G 3**

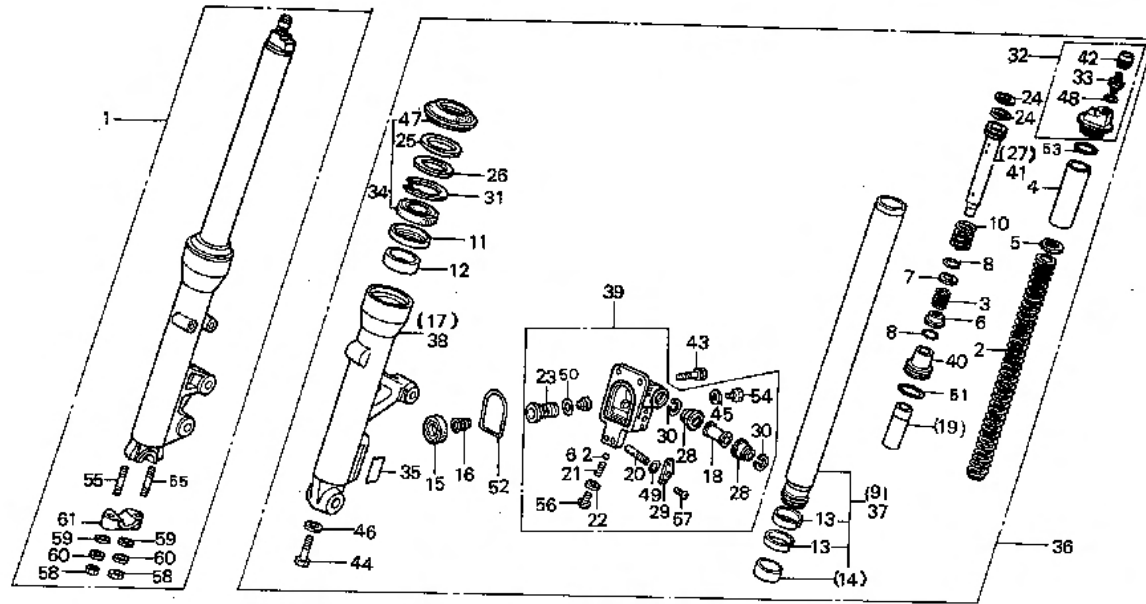
**F-8**

Front fork

Fourche avant

Vordergabel

Horquilla delantero



BMC5-10

Service item	F.R.T.	Ref. No.	Part No.	Description	Reqd. No. CX 400, 500	Serial No.	Area code
VALVE COMP., AIR	0.1	1	51400-MC5-611	FORK ASSY., R. FR.	1	1	
SPRING A, FR. CUSHION	0.3	2	51401-MC5-611	SPRING A, FR. CUSHION	2	2	
ROD, ADJUSTER							
BOLT ASSY., FR. FORK	0.4	3	51402-MA6-003	SPRING B, FR. CUSHION	1	1	
PACKING, PISTON CASE	0.5	4	51402-MC5-003	COLLAR, SPRING	2	2	
FORK ASSY., R. FR. (ADD 0.2 FOR EACH.)		5	51403-MA0-771	SEAT, SPRING	2	2	
CASE COMP., PISTON							
PIPE COMP., FR. FORK (ADD 0.5 FOR EACH.)	0.8	6	51405-MA6-003	VALVE, OIL LOCK	1	1	
CASE COMP., R. BOTTOM (L. SIDE 0.9)		7	51405-MA6-003	SEAT, SPRING	1	1	
SEAL SET, FR. FORK (ADD 0.5 FOR EACH.)		8	51405-MC7-003	RING A, MOUNTING	2	2	
		9	51410-MC5-003	PIPE COMP., FR. FORK	1	1	
		10	51412-ME1-671	SPRING, FR. FORK REBOUND	2	2	
		11	51412-461-305	RING, BACK UP	2	2	
		12	51414-461-003	BUSH, GUIDE	2	2	
		13	51415-MC5-003	BUSH, SLIDER	2	2	
		14	51415-461-003	BUSH, SLIDER	1	1	
		15	51417-ME1-671	PACKING, PISTON CASE	1	1	

**G 4**

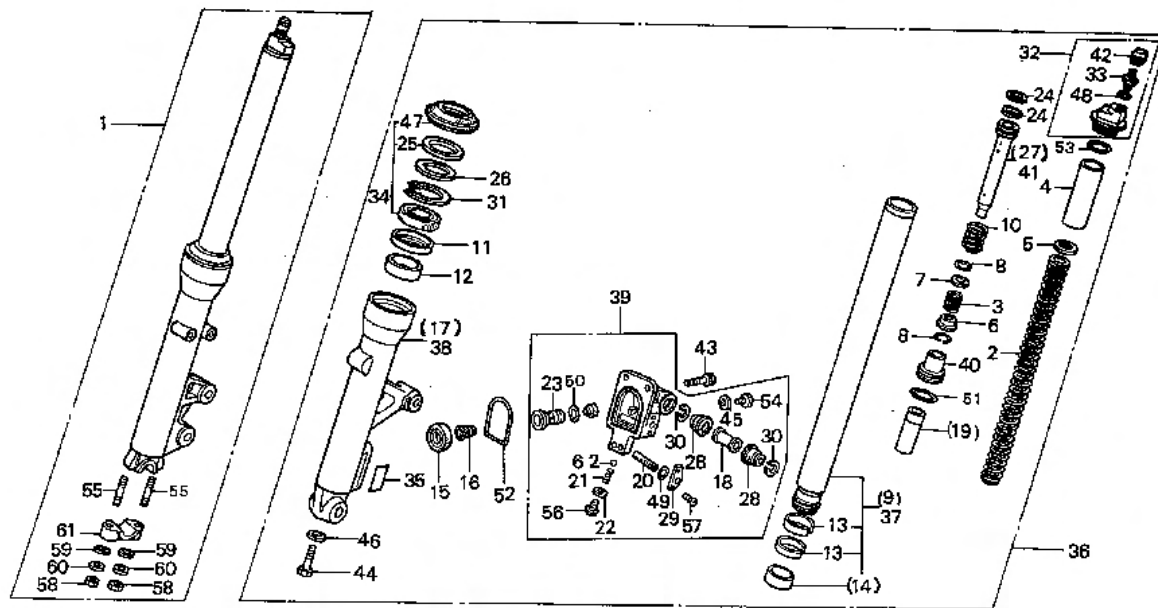
**F-8**

Front fork

Fourche avant

Vordergabel

Horquilla delantero



BMC5-10

Service item	F.R.T.	Ref. No.	Part No.	Description	Reqd. No.		Serial No.	Area code
					CX	600		
		16	51418-ME1-671	SPRING, PISTON	1	1		
		17	51421-MC5-003	CASE COMP., R. BOTTOM	1	1		
		18	51423-MC7-003	COLLAR, PISTON	1	1		
		19	51432-371-003	PIECE, OIL LOCK	1	1		
		20	51433-MC7-003	ROD, ADJUSTER	1	1		
		21	51434-MC7-003	SPRING, CLIK	1	1		
		22	51435-MC7-003	WASHER,	1	1		
		23	51436-MC7-003	PISTON	1	1		
		24	51437-MA0-771	RING, PISTON	3	3		
		25	51438-MC5-003	HOLDER, GREASE	2	2		
		26	51439-MC5-003	WASHER, HOLDER	2	2		
		27	51440-MC5-003	PIPE B	1	1		



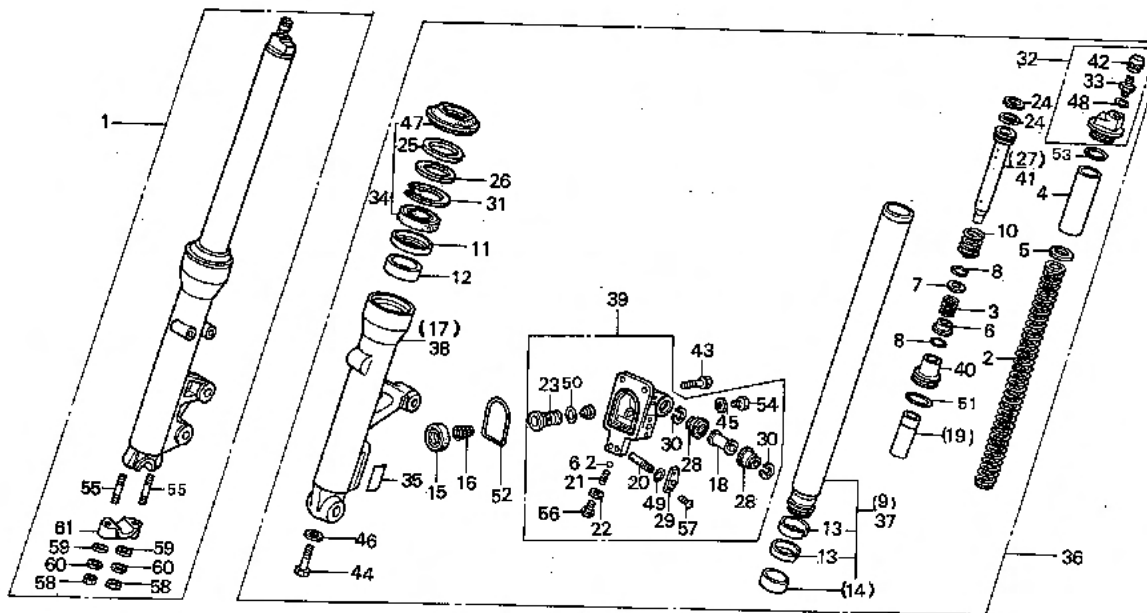
F-8

Front fork

Fourche avant

Vordergabel

Horquilla delantera



BMC5-10

Service item	F.R.T.	Ref. No.	Part No.	Description	Reqd. No. CX 400 500	Serial No.	Area code
		28	51442-MC7-003	BOOT, PISTON CASE	2 2		
		29	51444-MC7-003	WASHER, L. SIDE	1 1		
		30	51445-MC7-003	HOLDER, BOOT	2 2		
		31	51447-461-003	CIRCLIP, INTERNAL, 50MM	2 2		
		32	51450-MC5-611	BOLT ASSY., FR. FORK	2 2		
		33	51456-469-013	VALVE COMP., AIR (SHUWA)	2 2		
		34	51490-MC5-305	SEAL SET, FR. FORK	2 2		
		35	51496-MC5-610	MARK, FR. FORK	1 1		
		36	51500-MC5-611	FORK ASSY., L. FR.	1 1		





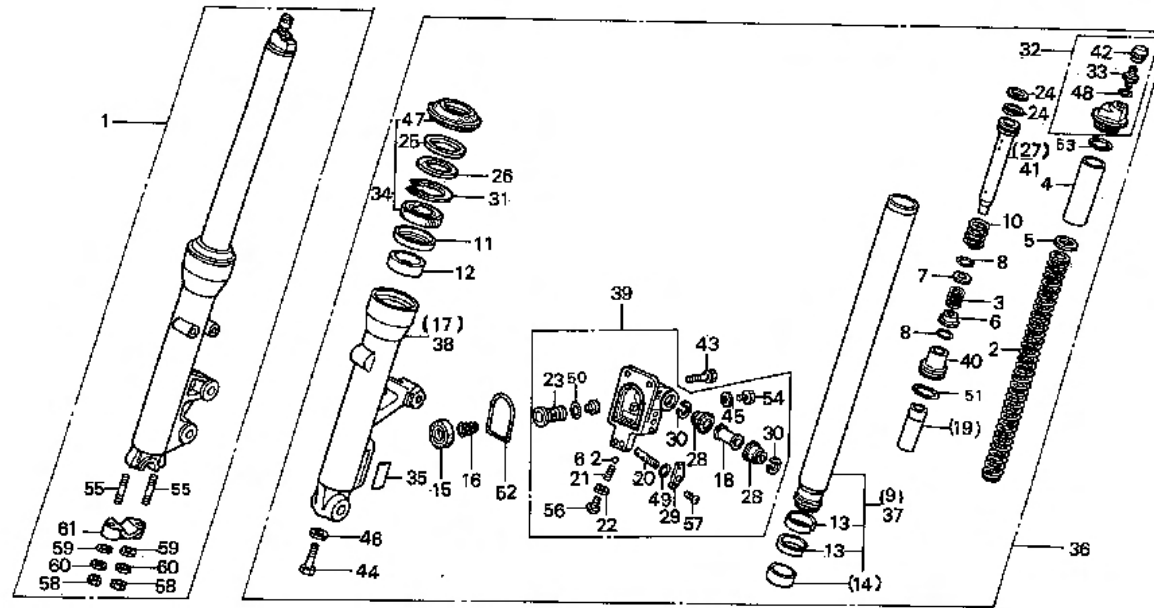
F-8

Front fork

Fourche avant

Vordergabel

Horquilla delantero



BMC5-10

Service item	F.R.T.	Ref. No.	Part No.	Description	Reqd. No.		Serial No.	Area code
					CX	500		
		37	51510-MC5-003	PIPE COMP., L. FORK	1	1		
		38	51521-MC5-003	CASE COMP., L. BOTTOM	1	1		
		39	51530-ME1-671	CASE COMP., PISTON	1	1		
		40	51532-ME1-671	PIECE W. OIL LOCK	1	1		
		41	51540-MC5-003	PIPE, L. SEAT	1	1		
		42	52425-381-771	CAP, AIR VALVE	2	2		
		43	90116-MC7-003	BOLT, SOCKET	4	4		
		44	90116-283-010	BOLT, SOCKET, 8MM	2	2		
		45	90502-ME1-670	WASHER, 10.3X25	1	1		
		46	90544-283-000	WASHER, SPECIAL, 8MM	2	2		
		47	91254-461-003	DUST SEAL, FR. FORK	2	2		

**G 7**

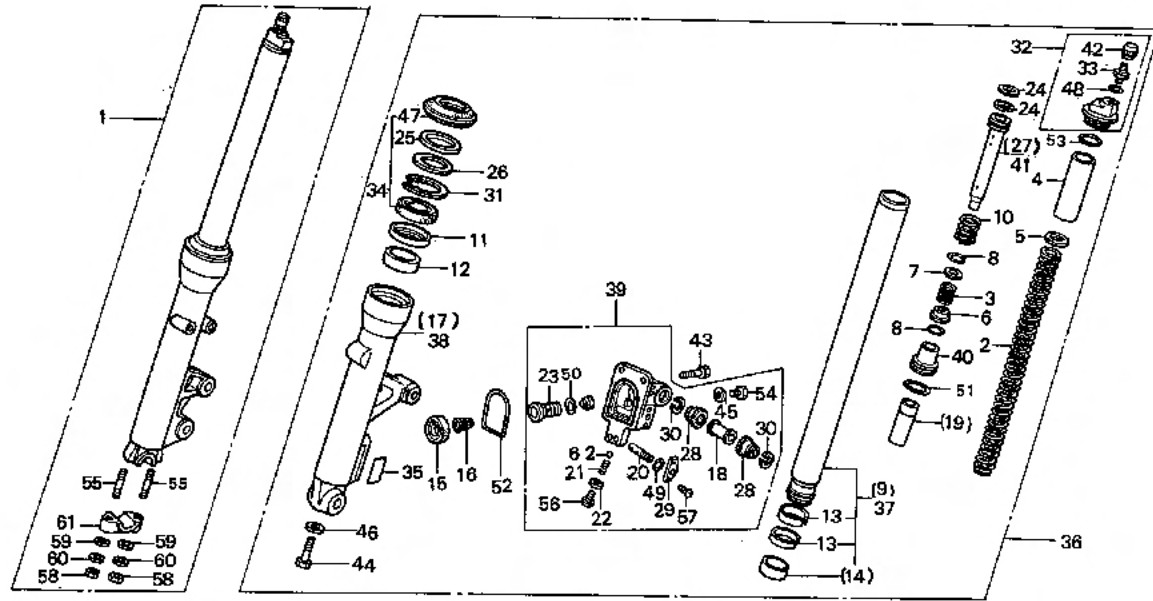
**F-8**

Front fork

Fourche avant

Vordergabel

Horquilla delantero



BMC5-10

Service item	F.R.T.	Ref. No.	Part No.	Description	Reqd. No. CX 400 500	Serial No.	Area code
			91254-461-004	DUST SEAL, FR. FORK	2 2		
		48	91301-467-003	O-RING, 5.8X1.9	2 2		
		49	91304-MC7-003	O-RING B, 6.8X1.9	1 1		
		50	91305-MC7-003	O-RING D, 13.8X2.4	1 1		
		51	91306-MC7-003	O-RING E, 33.5X2	1 1		
		52	91309-MC7-003	O-RING C, 54.4X3.1	1 1		
		53	91356-371-000	O-RING, 29X2.4	2 2		
		54	92000-06000	BOLT, HEX., 6X6	2 2		
		55	92700-08050-3B	BOLT, STUD	2 2		
		56	93500-05010-1A	SCREW, PAN, 5X10	1 1		
		57	93600-04010-1b	SCREW, FLAT, 4X10	2 2		
		58	94030-08000	NUT, HEX., 8MM	2 2		
		59	94101-06000	WASHER, PLAIN, 8MM	2 2		
		60	94111-06000	WASHER, SPRING, 8MM	2 2		
		61	6195014-41000	HOLDER, AXLE	1 1		

**G 8**

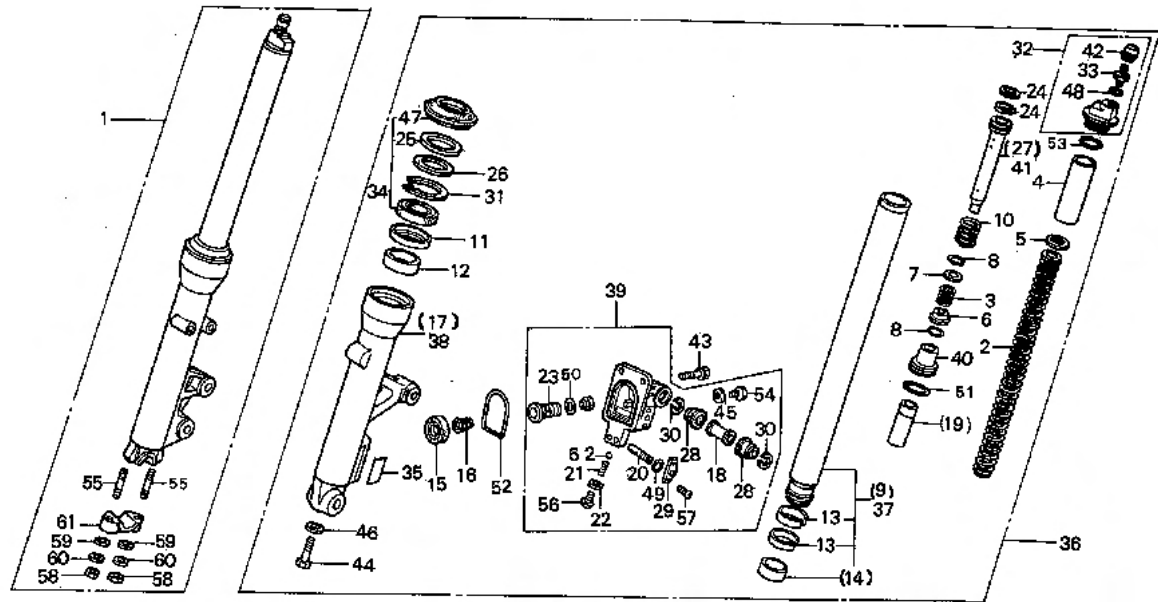
**F-8**

Front fork

Fourche avant

Vordergabel

Horquilla delantero



BMC5-10

Service item	F.R.T.	Ref. No.	Part No.	Description	Reqd. No. CX 400 500	Serial No.	Area code
		62	96211-05000	BALL, STEEL, #5 (5/32)	1 1		

1982.01.10

GH



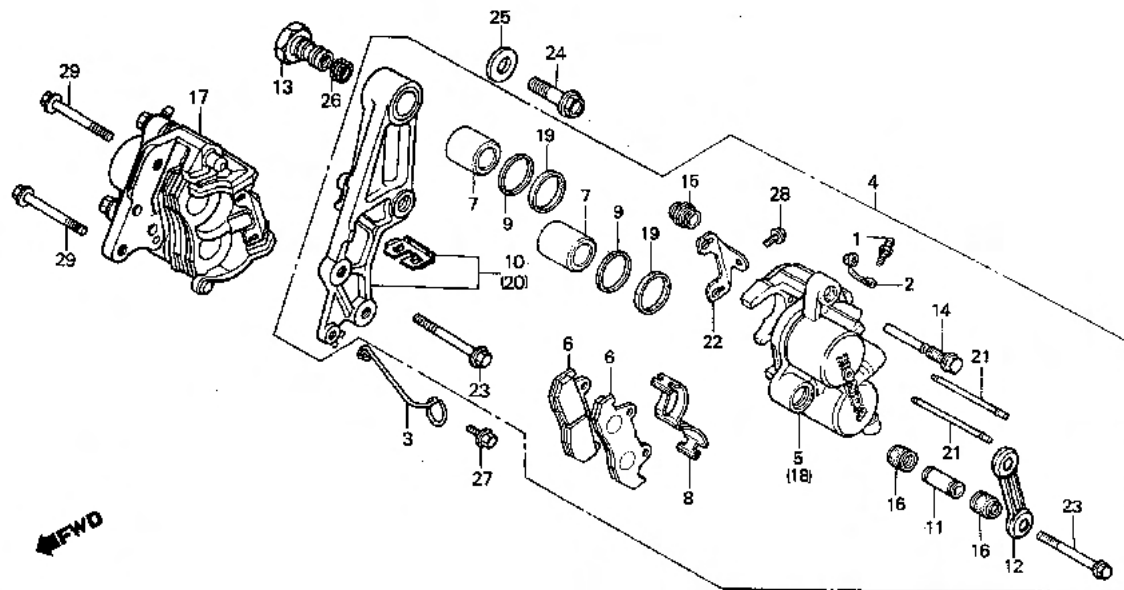
# F-9

Front brake caliper

Etrier de frein avant

Vorderradbremssattel

Calibrador de freno delantero



BMC5-11

Service item	F.R.T.	Ref. No.	Part No.	Description	Reqd. No.		Serial No.	Area code
					CX	600		
PAD COMP., FR.	0.1	1	43352-568-003	SCREW, BLEEDER	2	2		
BRIDGE, CALIPER BRACKET	0.2	2	43353-461-771	CAP, BLEEDER	2	2		
BRACKET COMP., L. FR.	0.3	3	44832-MA3-000	CLAMP, SPEEDOMETER CABLE	1	1		
CALIPER ASSY., L. FR. (ADD 0.1 FOR EACH.)	0.3	4	45100-M87-611	CALIPER ASSY., L. FR.	1	1		
PISTON (ADD 0.1 FOR EACH.)	0.4	5	45101-MC7-006	CALIPER COMP., L.	1	1		
SEAL, PISTON (ADD 0.1 FOR EACH.)	0.4	6	45105-MC7-004	PAD COMP., FR. (J8)	4	4		
CALIPER COMP., L. (ADD 0.3 FOR EACH.)	0.5	7	45107-MA3-006	PISTON	4	4		
		8	45108-MA3-006	SPRING, PAD	2	2		
		9	45109-166-006	DUST SEAL	4	4		
		10	45110-M87-611	BRACKET COMP., L. FR.	1	1		
		11	45111-MA3-006	SLEEVE	2	2		
		12	45113-M87-610	BRIDGE, CALIPER BRACKET	1	1		
		13	45114-MC7-610	SLEEVE, FR. CALIPER BRACKET	1	1		
		14	45131-MA3-006	BOLT, PIN	2	2		
		15	45133-MA3-006	BOLT 8	2	2		

**G 10**

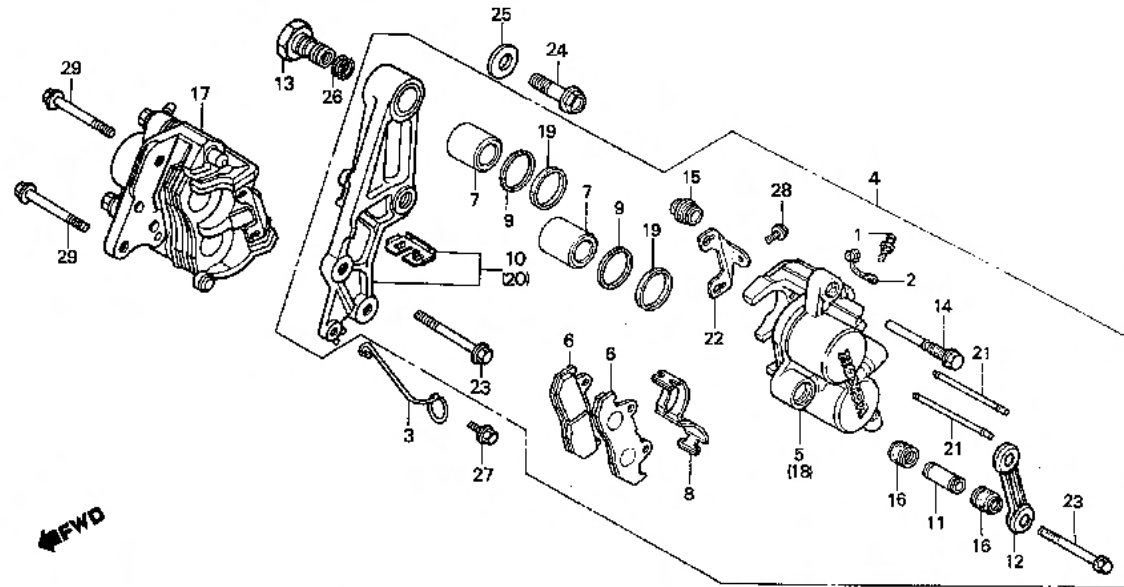
**F-9**

**Front brake caliper**

**Etrier de frein avant**

**Vorderradbremssattel**

**Calibrador de freno delantero**



BMC5-11

Service item	F.R.T.	Ref. No.	Part No.	Description	Reqd. No. Cx 400 500	Serial No.	Area code
		16	45133-166-016	BOOT, PIN	4 4		
		17	45200-M45-006	CALIPER ASSY., R. FR.	1 1		
		18	45201-MC7-006	CALIPER COMP., R.	1 1		
		19	45209-166-006	SEAL, PISTON	4 4		
		20	45210-445-632	BRACKET COMP., R. FR.	1 1		
		21	45215-MA3-006	PIN, HANGER	4 4		
		22	45217-MA3-006	PLATE	2 2		
		23	90180-MA3-006	BOLT, FLANGE, 8X49	2 2		
		24	90168-ME1-670	BOLT, SOCKET, 10X53	1 1		
		25	90502-ME1-670	WASHER, 10.3X25	1 1		
		26	91302-MC7-611	C-RING, 16.8X1.9	2 2		
		27	92000-06010	BOLT, HEX., 6X10	1 1		
		28	95700-06010-00	BOLT, FLANGE, 6X10	2 2		
		29	95806-10040-00	BOLT, FLANGE, 10X40	2 2		

1982.01.10

G10



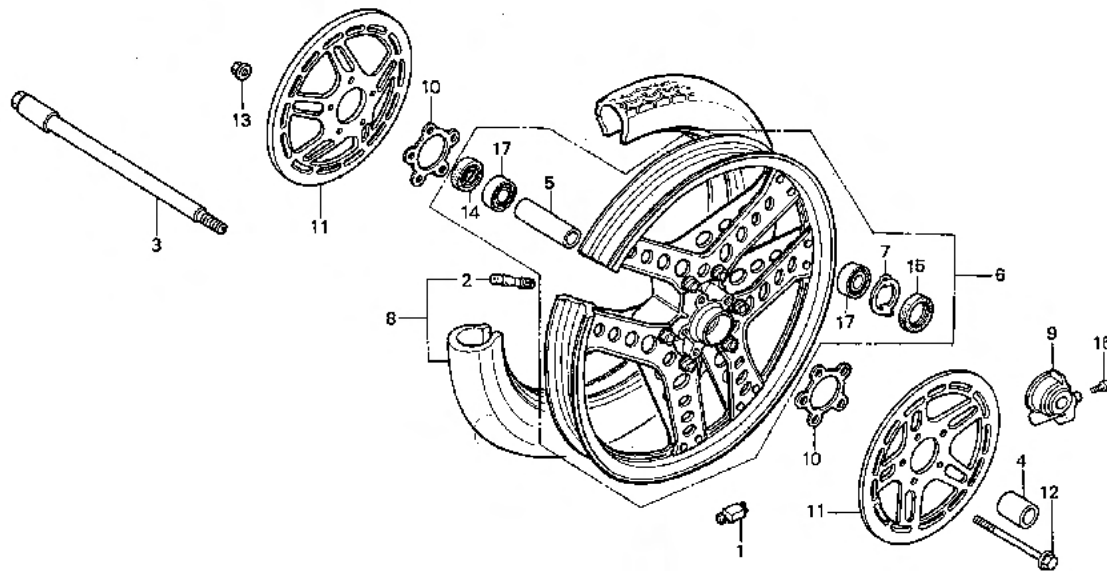
# F-10

Front wheel • Disk

Roue avant • Disque

Vorderrad • Bremsscheibe

Rueda delantera • Disco



BMC5-12

Service item	F.R.T.	Ref. No.	Part No.	Description	Req. No.		Serial No.	Area code
					400	500		
AXLE, FR. WHEEL	0.3	1	42704-MC7-000	WEIGHT, BALANCE (10G)	N	N		
•BOX ASSY., SPEEDOMETER GEAR			42705-MC7-000	WEIGHT, BALANCE (20G)	N	N		
•DUST SEAL, 22X42X7			42706-MC7-000	WEIGHT, BALANCE (30G)	N	N		
•DUST SEAL, 40X50X5		2	42753-425-003	VALVE, RIM (DS)	1	1		
DISK, FR. BRAKE (ONE OR ALL)	0.4		42753-425-004	VALVE, RIM (DUNLOP)	1	1		
COLLAR, FR. WHEEL DISTANCE	0.5	3	44301-MC5-000	AXLE, FR. WHEEL	1	1		
•BEARING, RADIAL BALL, 6302U (ADD 0.1 FOR EACH.)		4	44311-MC5-000	COLLAR, FR. WHEEL SIDE	1	1		
WEIGHT, BALANCE	0.8	5	44620-410-000	COLLAR, FR. WHEEL DISTANCE	1	1		
TIRE ASSY., FR.	0.9	6	44650-MC5-305	WHEEL COMP., FR.	1	1		
WHEEL COMP., FR.	1.0	7	44680-410-000	RETAINER, GEAR BOX	1	1		
		8	44710-MC5-003	TIRE ASSY., FR. (100/90-18 56S BS)	1	1		
			44710-MC5-004	TIRE ASSY., FR. (100/90-18 56S DUNLOP)	1	1		
			44710-MC5-009	TIRE ASSY., FR. (100/90-18 56S YOKCHAMA)	1	1		
		9	44800-MC7-005	BOX ASSY., SPEEDOMETER GEAR	1	1		

**G 12**

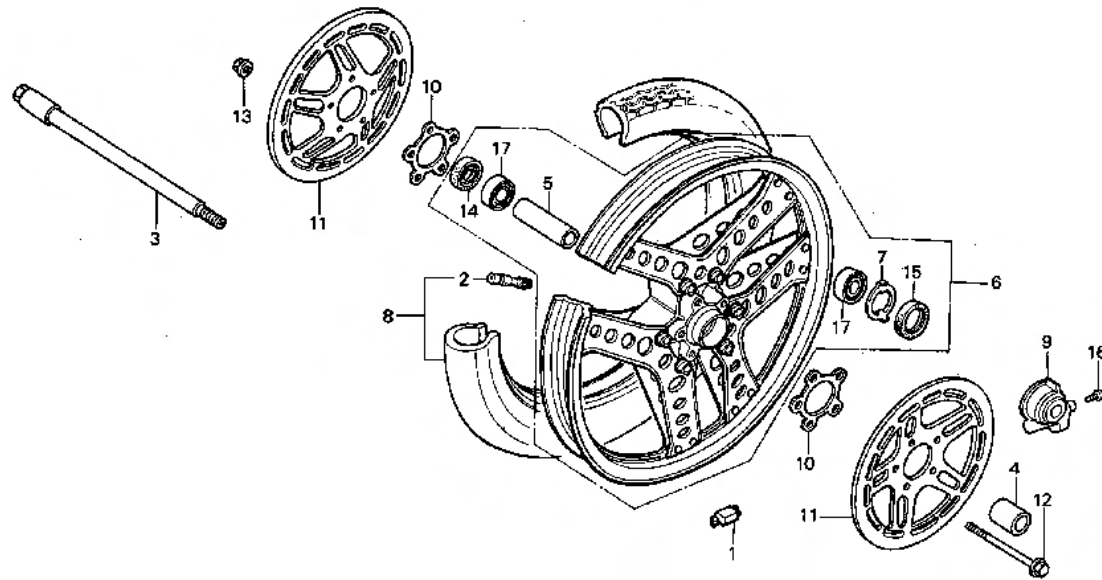
**F-10**

Front wheel • Disk

Roue avant • Disque

Vorderrad • Bremsscheibe

Rueda delantera • Disco



BMC5-12

Service item	F.R.T.	Ref. No.	Part No.	Description	Reqd. No.		Serial No.	Area code
					CX	500		
		10	45126-MC7-000	SHIM, DAMPING	1	1		
		11	45251-413-941	DISK, FR. BRAKE	2	2		
		12	90103-438-000	BOLT, FLANGE, 8X104	5	5		
		13	90309-428-731	NUT, FLANGE, 8MM	5	5		
		14	91252-MC7-003	DUST SEAL, 22X42X7	1	1		
		15	91256-410-013	DUST SEAL, 40X50X5	1	1		
		16	93700-05020-06	SCREW, OVAL, 5X20	1	1		
		17	96140-63020-10	BEARING, RADIAL BALL, 63020	2	2		

**G 13**

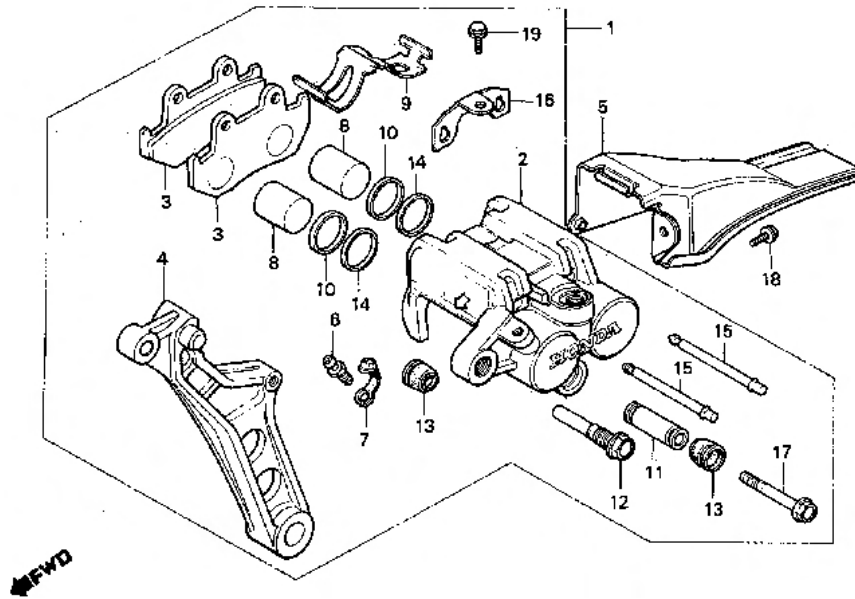
**F-11**

Rear brake caliper

Etrier de frein arriere

Hinterradbremssattel

Calibrador de freno trasero



BMC7-33

Service item	F.R.T.	Ref. No.	Part No.	Description	Reqd. No. 400 500	Serial No.	Area code
PAD COMP., FR. BRAKE	0.1	1	43100-MC7-006	CALIPER ASSY., RR.	1 1		
COVER COMP., RR. DISK		2	43101-MB9-006	CALIPER COMP., RR.	1 1		
PISTON (ADD 0.1 FOR EACH.)	0.3	3	43105-MC7-004	PAD COMP., FR. BRAKE	2 2		
SEAL, PISTON (ADD 0.1 FOR EACH.)	0.4	4	43110-MC7-006	BRACKET, RR. BRAKE	1 1		
CALIPER ASSY., RR.	0.5	5	43140-MB9-000	COVER COMP., RR. DISK	1 1		
CALIPER COMP., RR.		6	43352-568-003	SCREW, BLEEDER	1 1		
BRACKET, RR. BRAKE		7	43353-461-771	CAP, BLEEDER	1 1		
		8	43107-MA3-006	PISTON	2 2		
		9	43108-MA3-006	SPRING, PAD	1 1		
		10	43109-166-006	DUST SEAL	2 2		
		11	43111-MA3-006	SLEEVE	1 1		
		12	43131-MA3-006	BOLT, PIN	1 1		
		13	43133-166-016	BUSH, PIN	2 2		
		14	43209-166-006	SEAL, PISTON	2 2		
		15	43215-MA3-006	PIN, HANGER	2 2		
		16	43217-MA3-006	PLATE	1 1		
		17	90180-MA3-006	BOLT, FLANGE, 8x49	1 1		



**G 14**

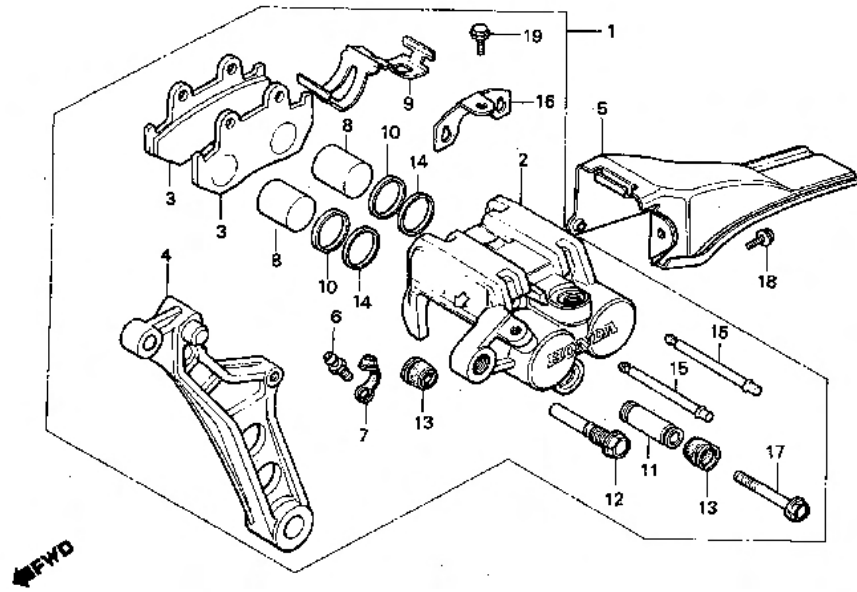
**F-11**

Rear brake caliper

Etrier de frein arriere

Hinterradbremssattel

Calibrador de freno trasero



BMC7-33

Service item	F.R.T.	Ref. No.	Part No.	Description	Reqd. No. CX 400 500	Serial No.	Area code
		18	93892-05010-07	SCREW-WASHER, 5x10	1	1	
		19	95700-06010-00	BULT, FLANGE, 6x10	1	1	

**G 15**

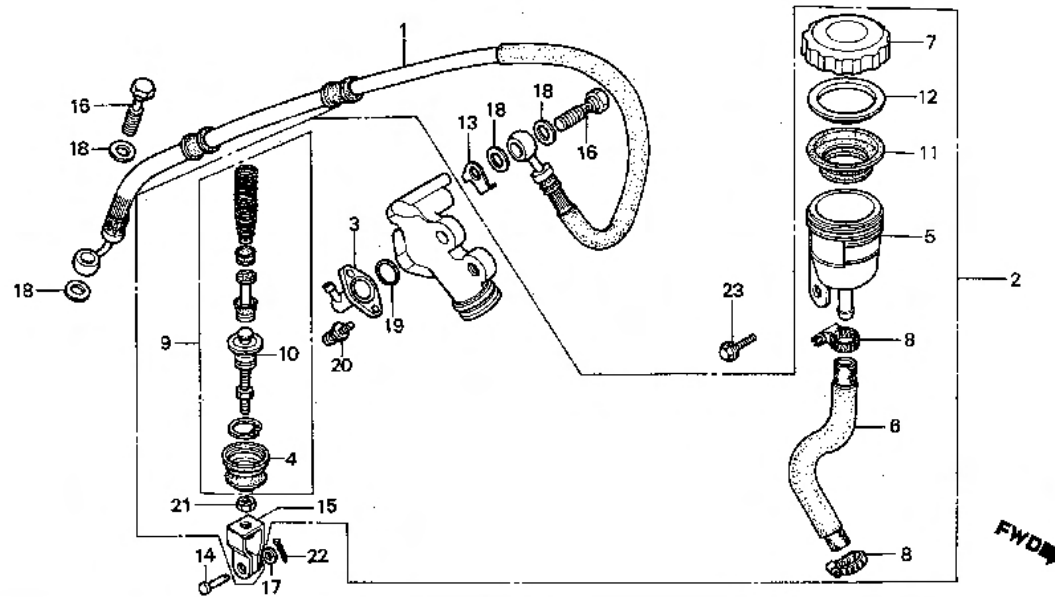
**F-11-1**

Rear brake master cylinder

Maitre cylindre de frein arrière

Hinterradbremse-Hauptzylinder

Cilindro maestro de freno trasero



BMC7-32

Service item	F.R.T.	Ref. No.	Part No.	Description	Reqd. No.		Serial No.	Area code
					CX	500		
CUP, MASTER CYLINDER OIL	0-2	1	43310-MC5-003	HOSE, RR. BRAKE	1	1		
HOSE, MASTER CYLINDER		2	43500-MC7-006	CYLINDER ASSY., RR. MASTER	1	1		
HOSE, RR. BRAKE	0-4	3	43503-422-006	CONNECTOR, MASTER CYLINDER	1	1		
CYLINDER ASSY., RR. MASTER	0-5	4	43504-371-013	BOOT, MASTER CYLINDER	1	1		
CYLINDER SET, MASTER	0-6	5	43511-443-761	CUP, MASTER CYLINDER OIL	1	1		
		6	43512-MC7-611	HOSE, MASTER CYLINDER	1	1		
		7	43513-461-771	CAP, OIL CUP	1	1		
		8	43514-445-771	CLAMP, MASTER CYLINDER OIL	2	2		
		9	43520-461-771	CYLINDER SET, MASTER	1	1		
		10	43530-MC7-006	ROD COMP., PUSH	1	1		
		11	45520-300-000	DIAPHRAGM	1	1		
		12	45521-300-010	PLATE, DIAPHRAGM	1	1		
		13	45535-MC7-000	STOPPER, OIL BOLT	1	1		
		14	46503-371-000	PIN, BRAKE ROD	1	1		
		15	46504-445-771	JOINT, BRAKE ROD	1	1		

**G 16**

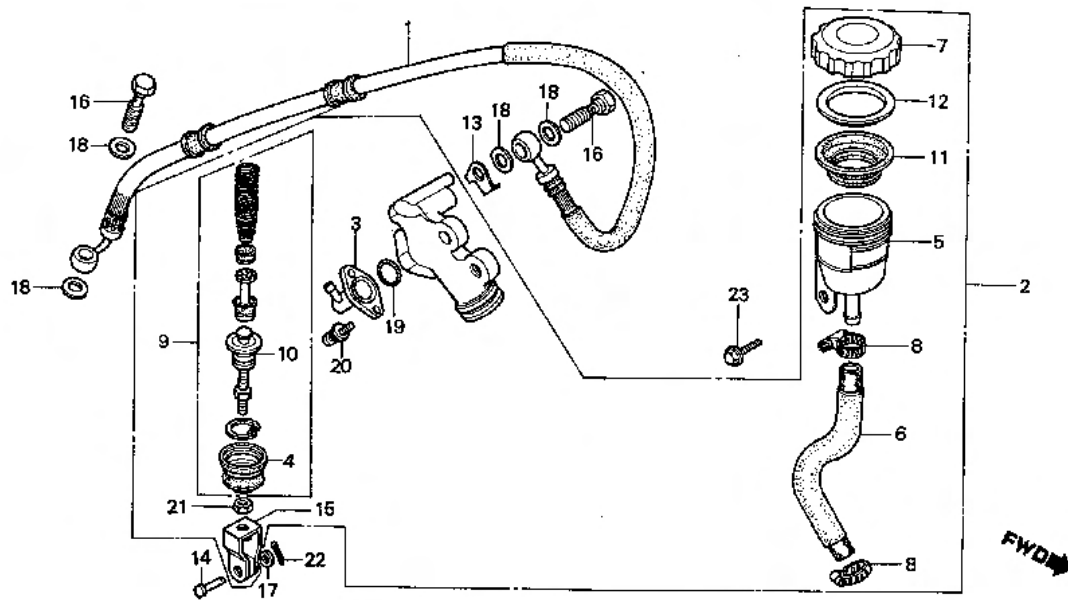
**F-11-1**

Rear brake master cylinder

Maitre cylindre de frein arrière

Hinterradbremse-Hauptzylinder

Cilindro maestro de freno trasero



BMC7-32

Service item	F.R.T.	Ref. No.	Part No.	Description	Reqd. No.		Serial No.	Area code
					Cx	500		
		16	90145-300-000	BOLT, OIL	2	2		
		17	40501-310-000	WASHER, 7X12	1	1		
		18	90545-300-000	WASHER, OIL BOLT	4	4		
		19	91212-422-006	O-RING, 14.8X2.4	1	1		
		20	93893-04012-18	SCREW-WASHER, 4X12	2	2		
		21	94002-08000-05	NUT, HEX., 8MM	1	1		
		22	94201-16150	PIN, SPLIT, 1.6X15	1	1		
		23	95700-06012-00	BOLT, FLANGE, 6X12	1	1		

H 1

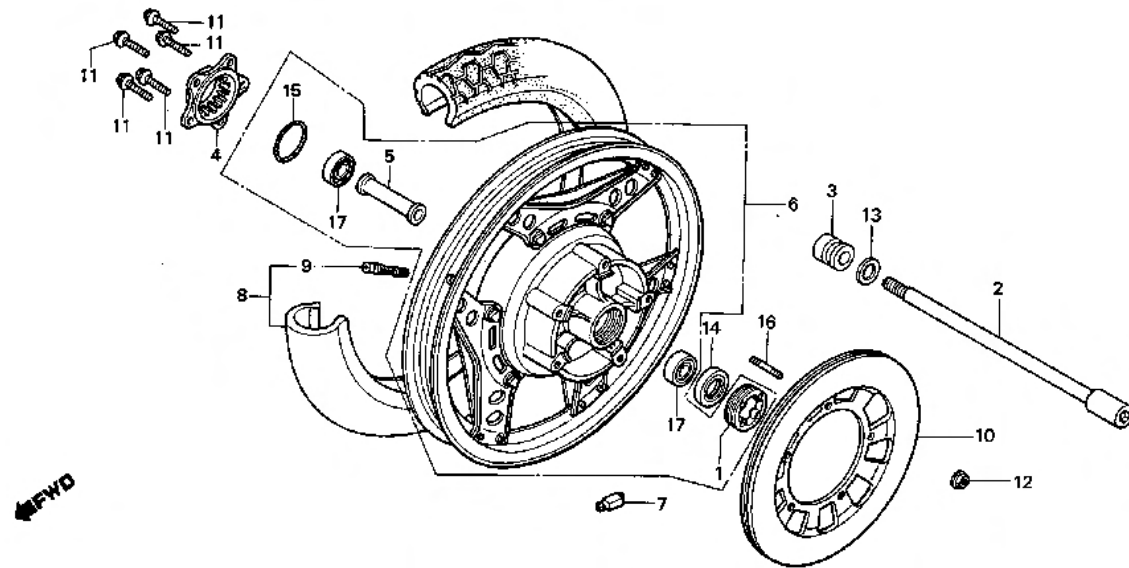
F-12

Rear wheel

Roue arrière

Hinterrad

Rueda trasera



BMC5-13

Service item	F.R.T.	Ref. No.	Part No.	Description	Reqd. No.		Serial No.	Area code
					CX	500		
AXLE, RR. WHEEL	0.3	2	42301-MC7-000	RETAINER, RR. WHEEL BEARING	1	1		
DISK, RR. BRAKE	0.4	1	41231-430-000	AXLE, RR. WHEEL	1	1		
RETAINER, RR. WHEEL BEARING	0.5	3	42311-MC7-000	COLLAR, BRAKE SIDE	1	1		
FLANGE, FINAL DRIVEN		4	42610-415-000	FLANGE, FINAL DRIVEN	1	1		
COLLAR, RR. WHEEL DISTANCE		5	42620-MC7-000	COLLAR, RR. WHEEL DISTANCE	1	1		
BEARING, RADIAL BALL, 6303U (ADD 0.1 FOR EACH)		6	42650-MC5-300	WHEEL COMP., RR.	1	1		
WEIGHT, BALANCE	0.9	7	42704-MC7-000	WEIGHT, BALANCE (10G)	N	N		
TIRE ASSY., RR.	1.0		42705-MC7-000	WEIGHT, BALANCE (20G)	N	N		
WHEEL COMP., RR.	1.3		42706-MC7-000	WEIGHT, BALANCE (30G)	N	N		
		8	42710-MC5-003	TIRE ASSY., RR. (120/80-18 62S BS)	1	1		
			42710-MC5-004	TIRE ASSY., RR. (120/80-18 62S DUNLOP)	1	1		
			42710-MC5-009	TIRE ASSY., RR. (120/80-18 62S YOKOHAMA)	1	1		
		9	42753-425-003	VALVE, RIM (BS)	1	1		
			42753-425-004	VALVE, RIM (DUNLOP)	1	1		

1982.01.10

H1

**H 2**

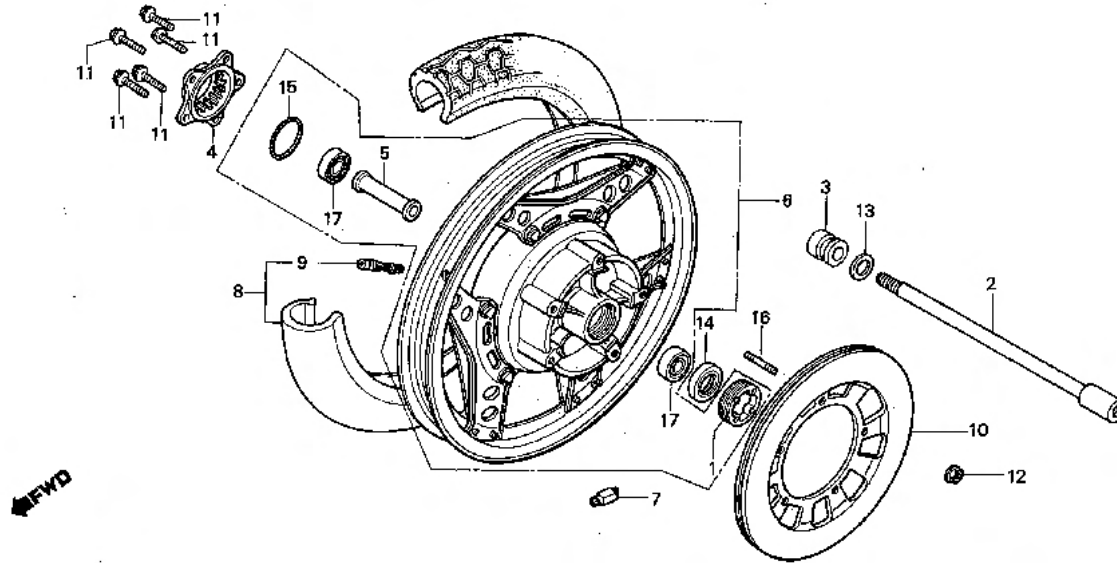
**F-12**

Rear wheel

Roue arrière

Hinterrad

Rueda trasera



BMC5-13

Service item	F.R.T.	Ref. No.	Part No.	Description	Reqd. No. CX 400 500	Serial No.	Area code
		10	43121-ML5-000	DISK, RR. BRAKE	1 1		
		11	90130-MC7-000	BOLT, UBS, 10X34	5 5		
		12	90301-473-003	NUT, U, 6MM	5 5		
		13	90581-371-000	WASHER, PLAIN, 16MM	1 1		
		14	91257-230-005	GIL SEAL, 28X42X7	1 1		
		15	91357-415-003	O-RING, 54.5X2.4	1 1		
		16	92712-06035-0E	BOLT, STUD, 6X35	5 5		
		17	96140-63030-10	BEARING, RADIAL BALL, 6303U	2 2		

1982.01.10



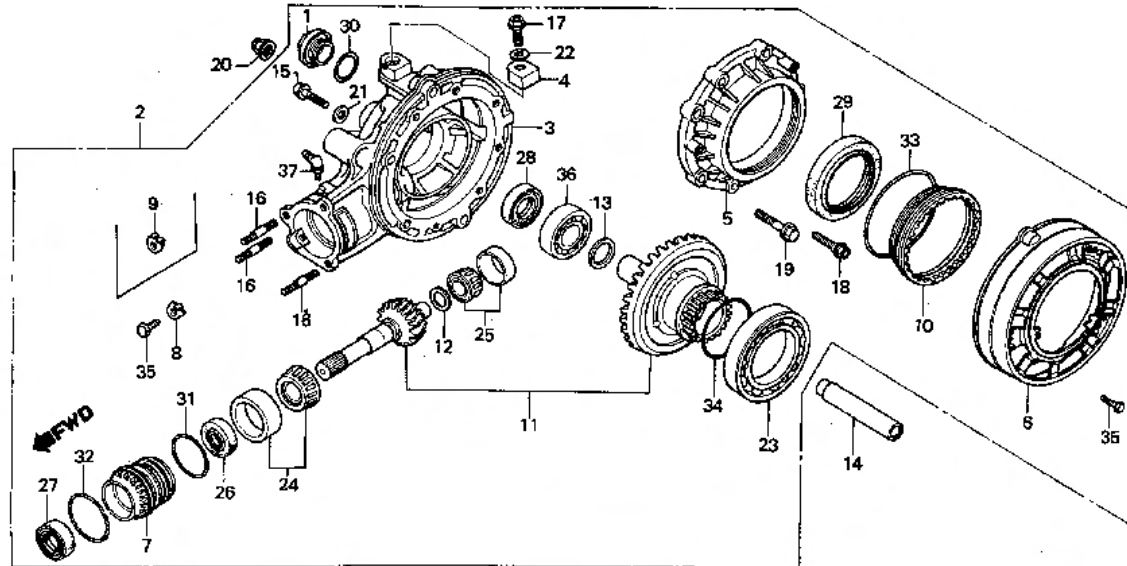
# F-13

Final driven gear

Engrenages de réduction finale

Endantriebsgetriebe

Engranaje mandado final



BMC5-14

Service item	F.R.T.	Ref. No.	Part No.	Description	Reqd. No.		Serial No.	Area code
					Cx	500		
GEAR ASSY., FINAL DRIVEN	0.5	1	12261-035-000	CAP, TAPPET ADJUSTING HOLE	1	1		
PLATE, DUST GUARD		2	41300-405-000	GEAR ASSY., FINAL DRIVEN	1	1		
RETAINER A, BEARING	0.6							
BOLT, STUD, 10X45 (ADD 0.1 FOR EACH.)		3	41301-405-000	CASE, FINAL GEAR	1	1		
OIL SEAL, 70X90X8		4	41306-415-000	CAP, BREATHER	1	1		
RETAINER B, BEARING	0.7	5	41321-415-000	COVER, L. GEAR CASE	1	1		
OIL SEAL, 25X40X8								
OIL SEAL, 33X43X7		6	41324-415-000	PLATE, DUST GUARD	1	1		
COVER, L. GEAR CASE	0.9	7	41331-415-000	RETAINER B, BEARING	1	1		
BEARING, 30205		8	41332-415-000	LOCK A, BEARING ADJUSTING	1	1		
BEARING, 6914	1.0	9	41333-415-000	LOCK B, BEARING ADJUSTING	1	1		
OIL SEAL, 30X47X7		10	41351-371-000	RETAINER A, BEARING	1	1		
BEARING, RADIAL BALL, 6006								
SHIM A, PINION GEAR	1.1	11	41443-4A1-000	GEAR SET, FINAL DRIVEN	1	1		
SHIM B, RING GEAR		12	41450-415-000	SHIM A, PINION GEAR (1.10)	1	1		
BEARING, 30203C								
GEAR SET, FINAL DRIVEN	1.9							
CASE, FINAL GEAR	2.6							



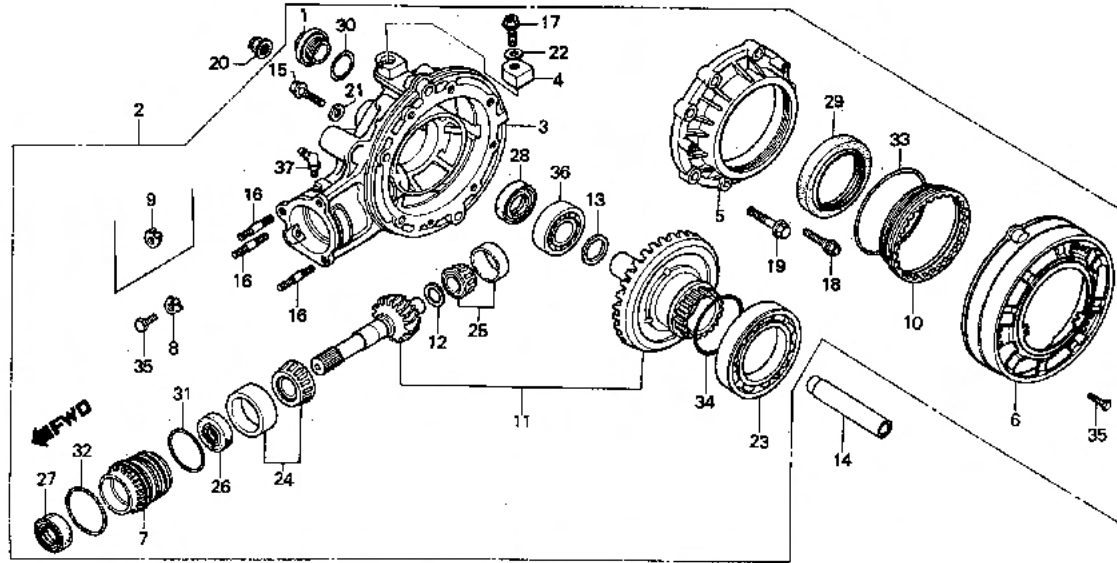
# F-13

Final driven gear

Engrenages de réduction finale

Endabtriebsgetriebe

Engranaje mandado final



BMC5-14

Service item	F.R.T.	Ref. No.	Part No.	Description	Reqd. No. Cx 400 500	Serial No.	Area code
			41451-415-000	SHIM b, PINION GEAR (1.14)	1	1	
			41452-415-000	SHIM c, PINION GEAR (1.18)	1	1	
			41453-415-000	SHIM d, PINION GEAR (1.22)	1	1	
			41454-415-000	SHIM e, PINION GEAR (1.26)	1	1	
			41455-415-000	SHIM f, PINION GEAR (1.30)	1	1	
			41456-415-000	SHIM g, PINION GEAR (1.34)	1	1	
			41457-415-000	SHIM h, PINION GEAR (1.38)	1	1	
			41458-415-000	SHIM i, PINION GEAR (1.42)	1	1	
			41459-415-000	SHIM j, PINION GEAR (1.46)	1	1	
			41460-415-000	SHIM k, PINION GEAR (1.50)	1	1	



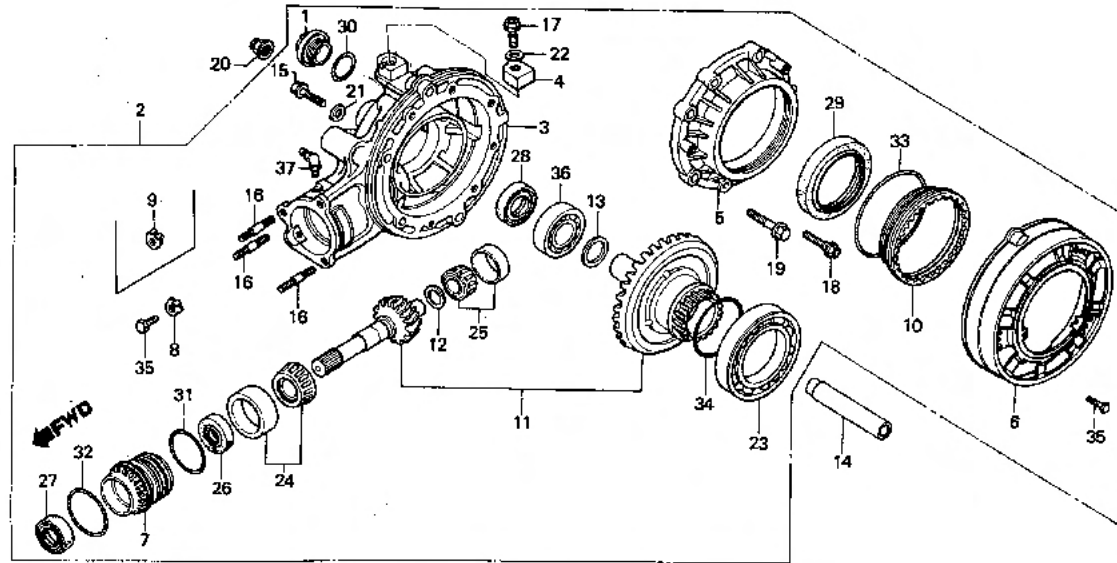
# F-13

Final driven gear

Engrenages de réduction finale

Endabtriebsgetriebe

Engranaje mandado final



BMC5-14

Service item	F.R.T.	Ref. No.	Part No.	Description	Reqd. No. CX 400 500	Serial No.	Area code
			41461-415-000	SHIM L, PINION GEAR (1.54)	1 1		
			41462-415-000	SHIM M, PINION GEAR (1.58)	1 1		
			41463-415-000	SHIM N, PINION GEAR (1.62)	1 1		
			41464-415-000	SHIM O, PINION GEAR (1.66)	1 1		
			41465-415-000	SHIM P, PINION GEAR (1.70)	1 1		
			41466-415-000	SHIM Q, PINION GEAR (1.74)	1 1		
			41467-415-000	SHIM K, PINION GEAR (1.78)	1 1		
			41468-415-000	SHIM S, PINION GEAR (1.82)	1 1		
			41469-415-000	SHIM T, PINION GEAR (1.86)	1 1		
			41470-415-000	SHIM U, PINION GEAR (1.90)	1 1		





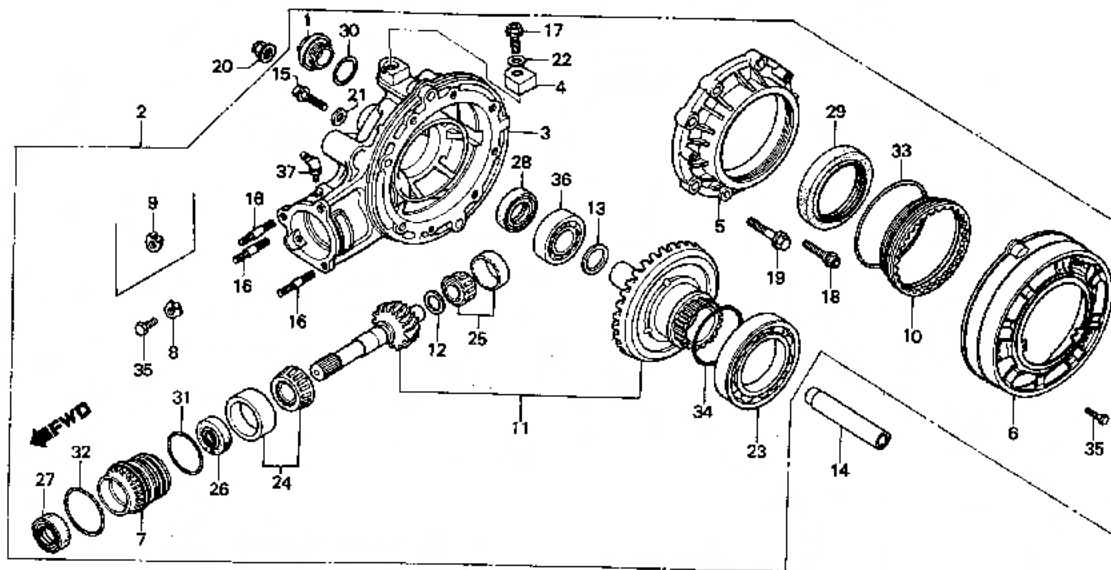
# F-13

Final driven gear

Engrenages de réduction finale

Endabtriebsgetriebe

Engranaje mandado final



BMC5-14

Service item	F.R.T.	Ref. No.	Part No.	Description	Reqd. No. CX 400 500	Serial No.	Area code
		13	41510-415-000	SHIM A, RING GEAR (1.80)	1 1		
			41511-415-000	SHIM B, RING GEAR (1.84)	1 1		
			41512-415-000	SHIM C, RING GEAR (1.88)	1 1		
			41513-415-000	SHIM D, RING GEAR (1.92)	1 1		
			41514-415-000	SHIM E, RING GEAR (1.96)	1 1		
			41515-415-000	SHIM F, RING GEAR (2.00)	1 1		
			41516-415-000	SHIM G, RING GEAR (2.04)	1 1		
			41517-415-000	SHIM H, RING GEAR (2.08)	1 1		
			41518-415-000	SHIM I, RING GEAR (2.12)	1 1		
			41519-415-000	SHIM J, RING GEAR (2.16)	1 1		



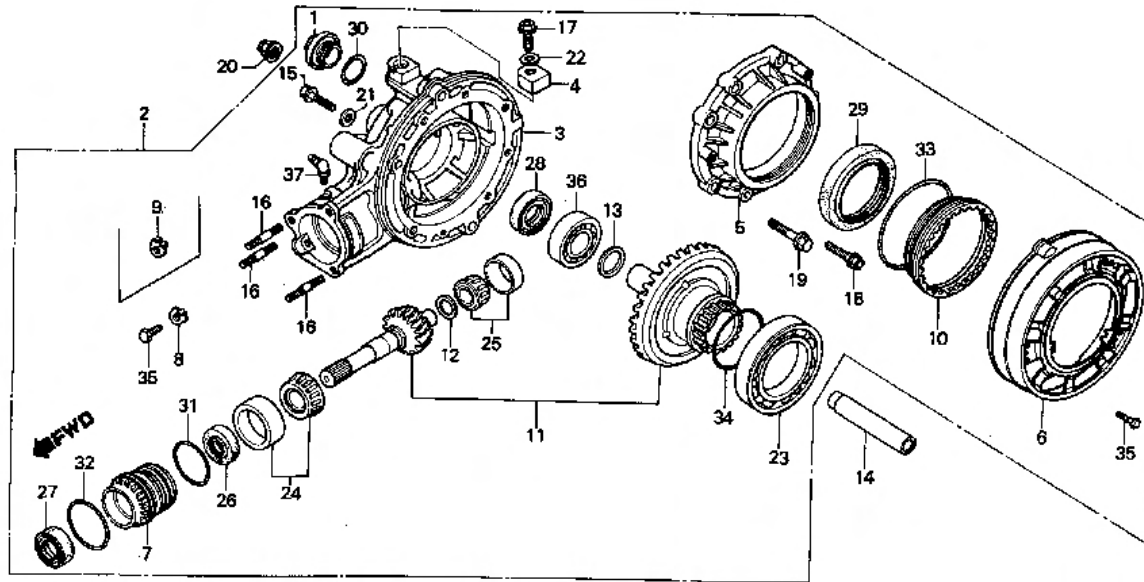
# F-13

Final driven gear

Engrenages de réduction finale

Endabtriebsgetriebe

Engranaje mandado final



BMC5-14

Service item	F.R.T.	Ref. No.	Part No.	Description	Reqd. No.		Serial No.	Area code	
					CX	500			
			41520-415-000	SHIM K, RING GEAR (2.20)	1	1			
			41521-415-000	SHIM L, RING GEAR (2.24)	1	1			
			41522-415-000	SHIM M, RING GEAR (2.28)	1	1			
			41523-415-000	SHIM N, RING GEAR (2.32)	1	1			
		14	42623-MC7-000	COLLAR, RR. AXLE DISTANCE	1	1			
		15	90105-371-000	BOLT, SEALING, 8MM	1	1			
			16	90125-371-000	BOLT, STUD, 10X45	3	3		
			17	90126-415-000	BOLT, BREATHER	1	1		
			18	90133-371-000	BOLT, FLANGE, 8X32	6	6		
			19	90134-371-000	BOLT, FLANGE, 10X38	2	2		
			20	90305-MC0-005	NUT, RR. AXLE U, 16MM	1	1		
			21	90471-580-000	WASHER, 8MM	1	1		
			22	90545-300-000	WASHER, OIL BOLT	1	1		
			23	91051-371-003	BEARING, 6914 (TOYO)	1	1		



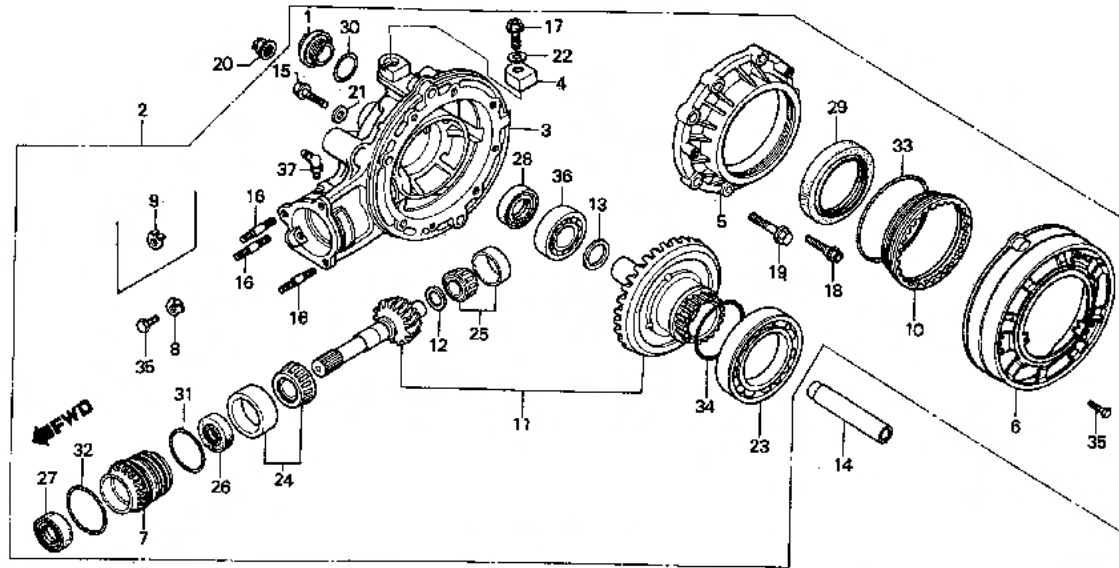
# F-13

Final driven gear

Engrenages de réduction finale

Endantriebsgetriebe

Engranaje mandado final



BMC5-14

Service item	F.R.T.	Ref. No.	Part No.	Description	Reqd. No.		Serial No.	Area code
					400	500		
			91051-371-004	BEARING, 6914 (KDYD)	1	1		
			91051-371-005	BEARING, 6914 (NACHI)	1	1		
		24	91061-371-003	BEARING, 30205	1	1		
		25	91062-415-013	BEARING, 30203C	1	1		
			26	91261-415-003	OIL SEAL, 25X40X8	1	1	
			27	91262-415-003	OIL SEAL, 33X43X7	1	1	
			28	91264-415-003	OIL SEAL, 30X47X7	1	1	
			29	91265-371-003	OIL SEAL, 70X90X8	1	1	
			30	91302-001-020	O-RING, 30.8MM	1	1	
			31	91353-415-003	O-RING, 49.6X3.5	1	1	
				91353-415-004	O-RING, 49.6X3.5	1	1	
			32	91354-415-003	O-RING, 53.6X2.4	1	1	
			33	91355-371-003	O-RING, 96.5X2.0	1	1	
			34	91356-415-003	O-RING, 62.7X4	1	1	
			35	92000-00012	BOLT, HEX., 6X12	4	4	



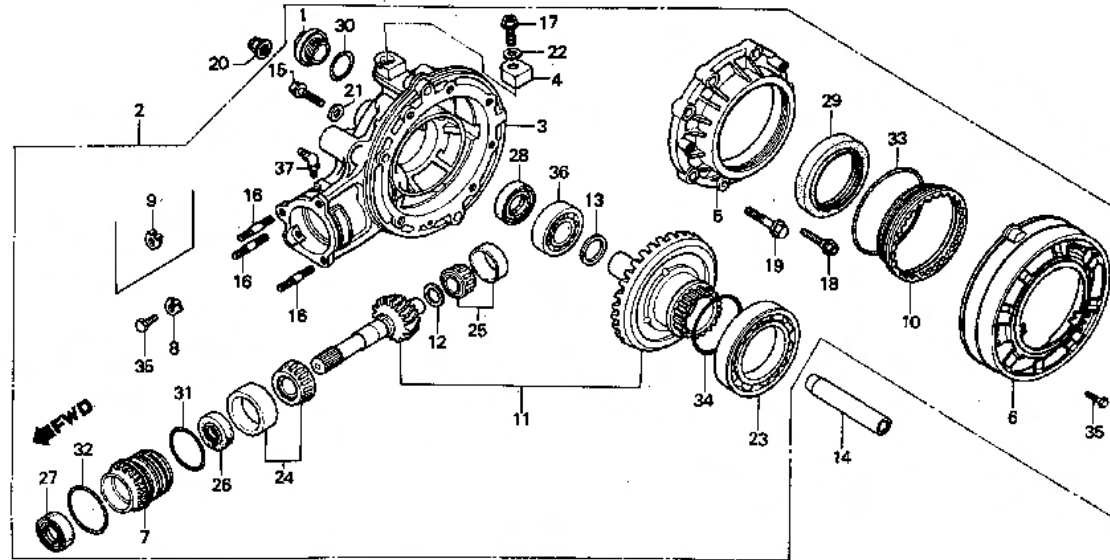
# F-13

Final driven gear

Engrenages de réduction finale

Endabtriebsgetriebe

Engranaje mandado final



BMC5-14

Service item	F.R.T.	Ref. No.	Part No.	Description	Reqd. No. CX 400 500	Serial No.	Area code
		36	96100-60063-00	BEARING, RADIAL BALL, 6006	1 1		
		37	96201-80000	NIPPLE, GREASE, B.T6S	1 1		



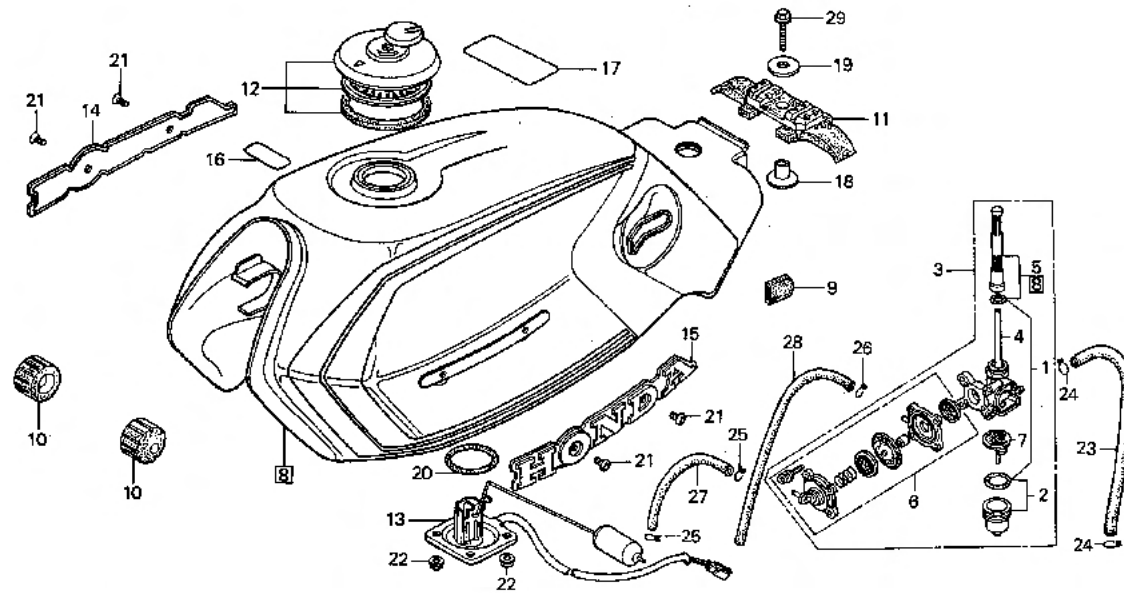
# F-14

Fuel tank

Réservoir d'essence

Benzintank

Tanque de combustible



BMC5-15

Service item	F.R.T.	Ref. No.	Part No.	Description	Reqd. No.		Serial No.	Area code
					CX	500		
COVER SET, FUEL COCK	0-1	1	16080-471-831	O-RING	1	1		
•CUP, FILTER		2	16081-471-831	CUP, FUEL STRAINER	1	1		
•COCK ASSY., FUEL AUTO	0-2	3	16950-MAL-731	COCK ASSY., FUEL AUTO	1	1		
•SCREEN SET, FUEL STRAINER		4	16951-MAL-731	BODY COMP., COCK	1	1		
•BODY COMP., COCK	0-3	5	16952-461-771	SCREEN SET, FUEL STRAINER	1	1		
•METER ASSY., FUEL								
TANK SET, FUEL	0-4	6	16953-449-751	COVER SET, FUEL COCK	1	1		
		7	16959-461-751	CUP, FILTER	1	1		
		8	175A1-MC5-000ZA	TANK SET, FUEL *NH-1*	1	1		
			175A1-MC5-000ZB	TANK SET, FUEL *NH-121P-A*	1	1		
			175A1-MC5-000ZC	TANKSET, FUEL *R-110*	1	1		
		9	17512-MC5-000	RUBBER, SEAT SETTING STAY	2	2		
		10	17611-286-000	CUSHION, FUEL TANK FR.	2	2		

**H 11**

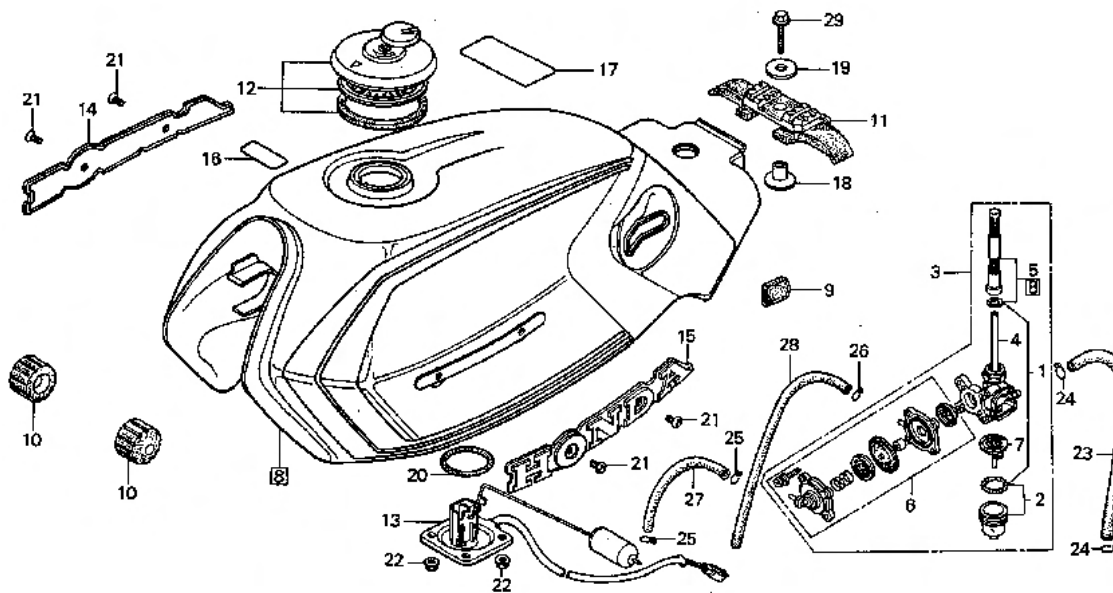
**F-14**

Fuel tank

Réservoir d'essence

Benzintank

Tanque de combustible



BMC5-15

Service item	F.R.T.	Ref. No.	Part No.	Description	Reqd. No. CX 400 600	Serial No.	Area code
		11	17613-MA1-000	CUSHION, FUEL TANK RR.	1		
		12	17620-MC5-610	CAP COMP., FUEL FILLER	1		ND, 1G, 2G
			17620-460-027	CAP COMP., FUEL FILLER	1		E, ED, F, IT, SW, U
		13	37800-MC5-008	METER ASSY., FUEL	1		
		14	87121-MC5-000	EMBLEM, R. FUEL TANK	1		
		15	87122-MC5-000	EMBLEM, L. FUEL TANK	1		
		16	87517-445-630	LABEL, FR. FORK CAUTION	1		E, ED, IT, ND, SW, U, 1G, 2G
			87517-445-730	LABEL, FR. FORK CAUTION (FRENCH)	1		F
		17	87560-181-7602A	MARK, DRIVE CAUTION *NH-1*	1		E, ED, IT, ND, SW, U, 1G, 2G
			87560-181-7602B	MARK, DRIVE CAUTION *NH-0*	1		E, ED, IT, ND, SW, U, 1G, 2G

1982-01-10

H11

**H 12**

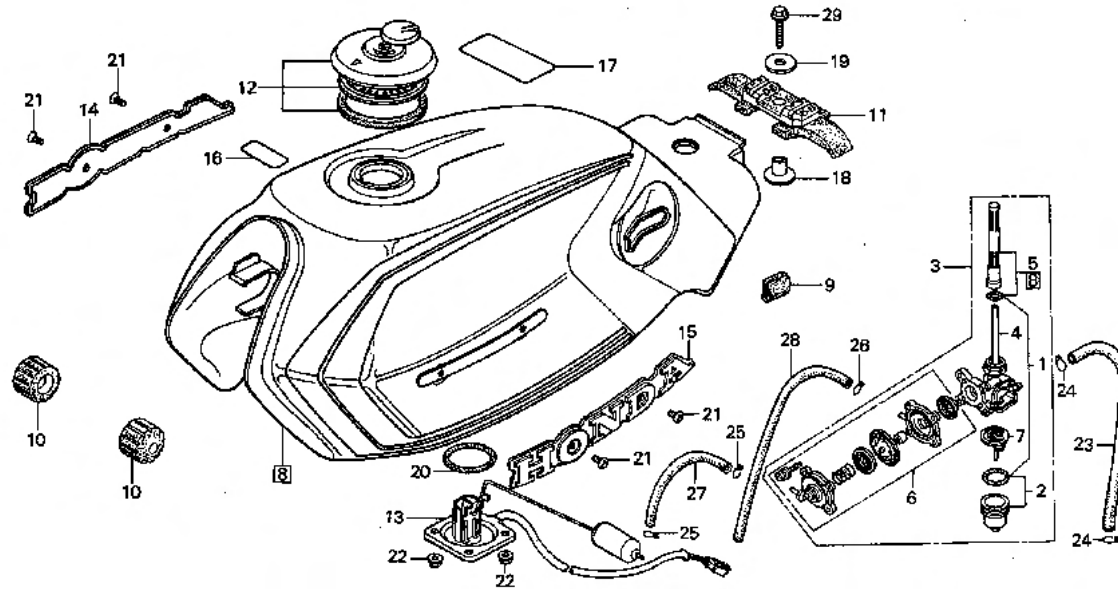
**F-14**

**Fuel tank**

**Réservoir d'essence**

**Benzintank**

**Tanque de combustible**



BMC5-15

Service item	F.R.T.	Ref. No.	Part No.	Description	Reqd. No. Cx 400 500	Serial No.	Area code
			87500-463-8302A	MARK, DRIVE CAUTION *NH-1* (FRENCH)	1 1		F
			67500-463-8302B	MARK, DRIVE CAUTION *NH-0* (FRENCH)	1 1		F
		18	90324-MA1-000	COLLAR, FUEL TANK MOUNTING	1 1		
		19	90534-011-000	WASHER, 8.3MM	1 1		
		20	91305-MC7-000	O-RING, 41X5	1 1		
		21	93700-04006-06	SCREW, OVAL, 4X6	4 4		
		22	94050-08080	NUT, FLANGE, 6MM	4 4		
		23	95001-75150-40	TUBE, FUEL, 7.3X150	1 1		
		24	95002-02070	CLIP B7, TUBE	2 2		
		25	95002-02120	CLIP B12, TUBE	2 2		
		26	95002-35000	CLIP C6.5, TUBE	1 1		
		27	95005-35200-20	TUBE, 3.5X200	1 1		
		28	95005-35750-30	TUBE, 3.5X750	1 1		
		29	95700-08028-08	BOLT, FLANGE, 8X28	1 1		

1982.01.10

H12

**H 13**

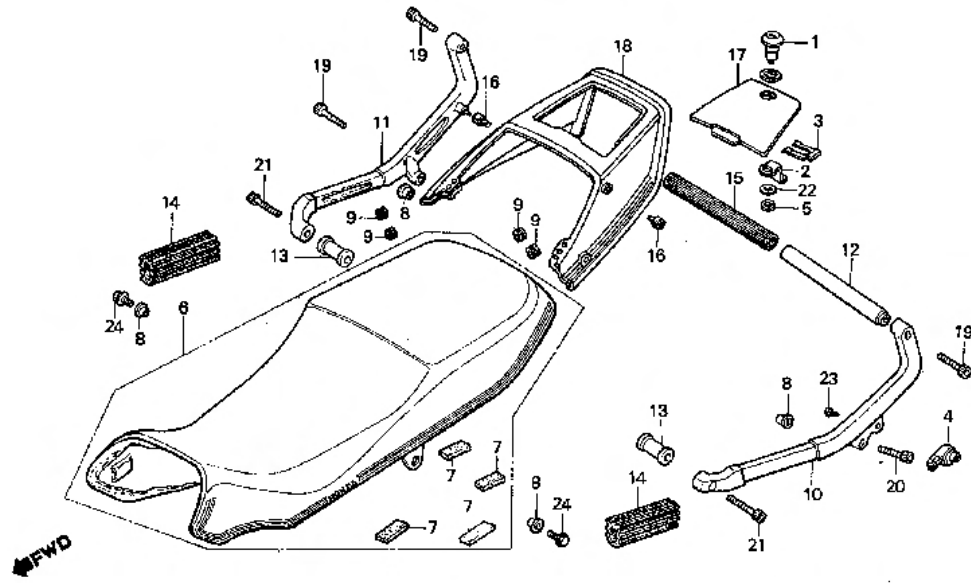
**F-15**

Seat

Siege

Sitz

Asiento



BMC5-16

Service item	F.R.T.	Ref. No.	Part No.	Description	Reqd. No. CX 400 500	Serial No.	Area code
LOCK, SEAT COWL	0.1	1	37220-MC5-003	LOCK, SEAT COWL	1	1	E, ED, F, IT, SW, U
SEAT COMP., DOUBLE		37220-MC5-011	LOCK, SEAT COWL	1	1	ND, 1G, 2G	
GRIP, R. RR.		2	37221-MC5-000	LOCK PLAT	1	1	
GRIP, RR. CROSS	0.2	3	37222-MC5-000	PLATE, LOCK	1	1	
COVER, SEAT COWL		4	50710-MC7-003	HOLDER ASSY., HELMET	1	1	E, ED, F, IT, SW, U
HOLDER ASSY., HELMET		50710-MC7-611	HOLDER ASSY., HELMET	1	1	ND, 1G, 2G	
GRIP, L. RR.		5	73146-538-000	E-CLIP	1	1	
COWL ASSY., RR.		6	77200-MC5-610	SEAT COMP., DOUBLE	1	1	
		7	77204-312-000	RUBBER, SEAT SETTING	4	4	
		8	83515-428-000	COLLAR, TGBL BOX	4	4	
	9	83551-240-300	GROMMET, AIR CLEANER CASE	4	4		
	10	83601-MC7-000	GRIP, L. RR.	1	1		
	11	83602-ML7-000	GRIP, R. RR.	1	1		
	12	83603-MC7-000	GRIP, RR. CROSS	1	1		

1982-01-10

H13



H 14

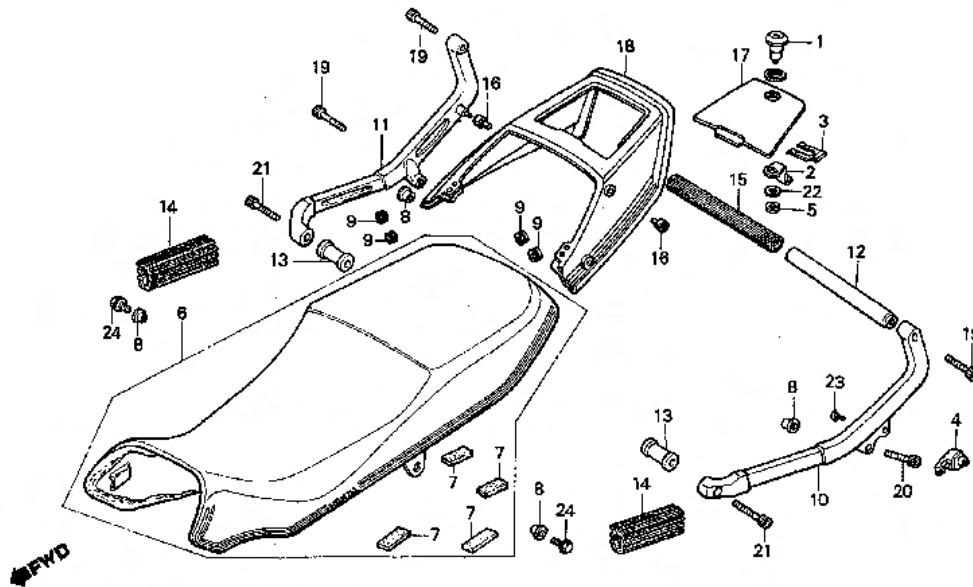
F-15

Seat

Siege

Sitz

Asiento



BMC5-16

Service item	F.R.T.	Ref. No.	Part No.	Description	Reqd. No.		Serial No.	Area code
					CX	500		
		13	83604-MC7-000	COLLAR, GRIP SIDE	2	2		
		14	83605-MC7-000	RUBBER A, GRIP	2	2		
		15	83606-MC7-000	RUBBER B, RR. GRIP	1	1		
		16	83607-MC7-000	CAP, RR. GRIP COWL	2	2		
		17	83704-MC5-000ZA	COVER, SEAT COWL *NH-1*	1	1		
			83704-MC5-000ZB	COVER, SEAT COWL *NH-121P-A*	1	1		
			83704-MC5-000ZC	COVER, SEAT COWL *R-110*	1	1		
		18	83730-MC5-000ZA	COWL ASSY., RR. *NH-1*	1	1		
			83730-MC5-000ZB	COWL ASSY., RR. *NH-121P-A*	1	1		
			83730-MC5-000ZC	COWL ASSY., RR. *R-110*	1	1		
		19	90116-125-782	BOLT, SOCKET, 8MM	3	3		

**H 15**

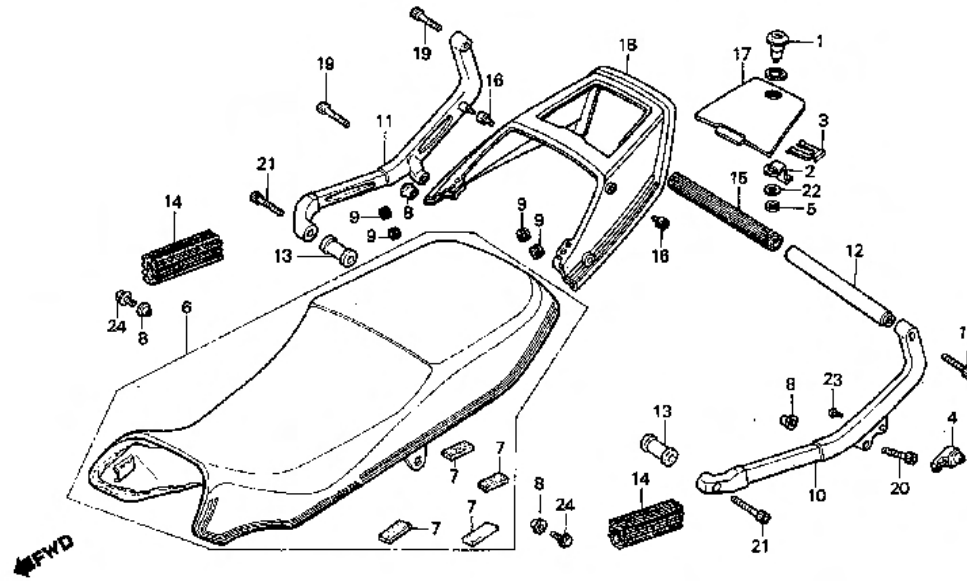
**F-15**

Seat

Siege

Sitz

Asiento



BMC5-16

Service item	F.R.T.	Ref. No.	Part No.	Description	Recd. No. Cx 400 500	Serial No.	Area code
		20	90116-355-000	BOLT, SOCKET	1	1	
		21	90166-MC7-000	BOLT, SOCKET, 8x58	2	2	
		22	90535-MA3-000	WASHER, SPRING, 10MM	1	1	
		23	93891-06016-00	SCREW-WASHER, 6x16	1	1	
		24	95700-08020-08	BOLT, FLANGE, 8x20	2	2	

1982-01-10

H15

**H 16**

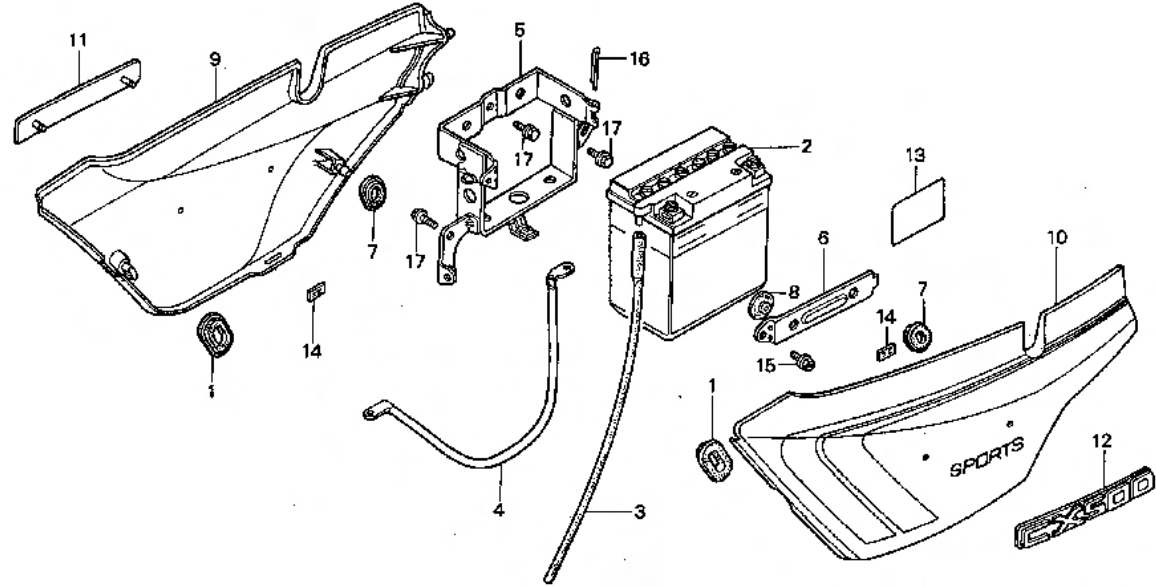
**F-16**

Side cover - Battery

Couvercle latéral - Batterie

Seitendeckel - Batterie

Cubierta lateral - Bateria



BMC5-17

Service item	F.R.T.	Ref. No.	Part No.	Description	Reqd. No.		Serial No.	Area code
					CX	500		
COVER ASSY., R. SIDE BATTERY	0-1	1	17247-303-000	GROMMET A, AIR CLEANER CASE	2	2		
CABLE, BATTERY EARTH	0-2	2	31500-461-780	BATTERY (12V14)	1	1		
BAND COMP. A, BATTERY	0-4	3	31502-M41-000	TUBE, BATTERY BREATHER	1	1		
		4	32601-M41-000	CABLE, BATTERY EARTH	1	1		
		5	50327-M41-000	BAND COMP. A, BATTERY	1	1		
		6	50328-M41-000	BAND B	1	1		
		7	83551-300-000	GROMMET, AIR CLEANER CASE	2	2		
		8	83618-323-000	RUBBER, BATTERY BCX	8	8		
		9	83620-MC5-610ZA	COVER ASSY., R. SIDE *NH-1*	1	1		
			83620-MC5-610ZB	COVER ASSY., R. SIDE *NH-121P-A*	1	1		
			83620-MC5-610ZC	COVER ASSY., R. SIDE *R-110*	1	1		
		10	83720-MC5-610ZA	COVER ASSY., L. SIDE *NH-1*	1	1		



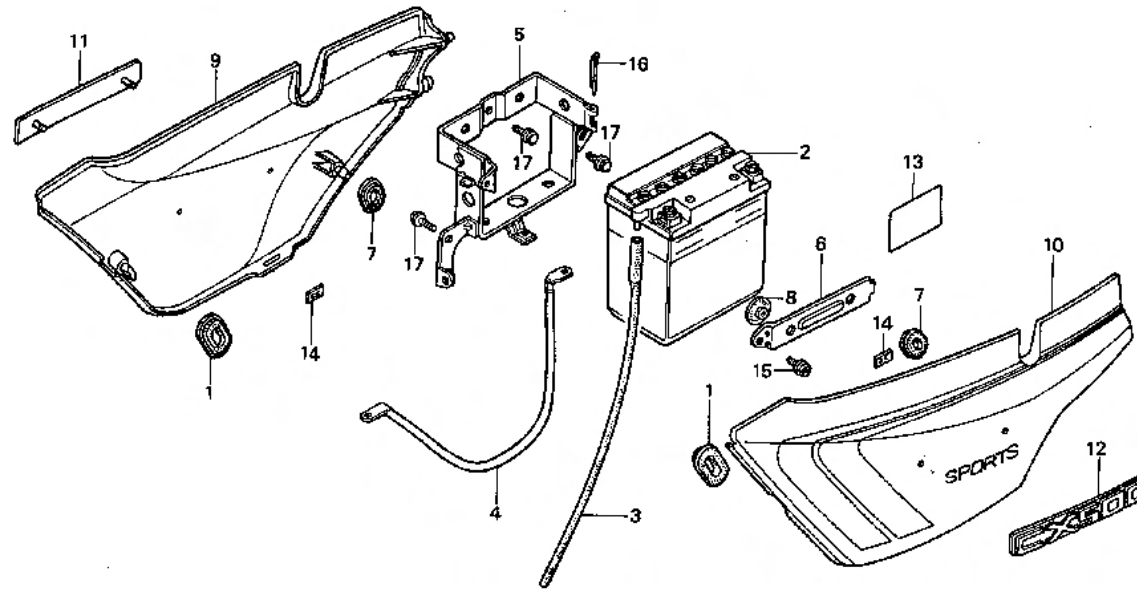
# F-16

Side cover • Battery

Couvercle latéral • Batterie

Seitendeckel • Batterie

Cubierta lateral • Batería



BMC5-17

Service item	F.R.T.	Ref. No.	Part No.	Description	Reqd. No. CX 400 500	Serial No.	Area code
			83720-MC5-6102B	COVER ASSY., L. SIDE *NH-121P-A*	1 1		
			83720-MC5-6102C	COVER ASSY., L. SIDE *NH-1*	1 1		
		11	87125-KC6-620	EMBLEM, R. SIDE COVER	1		
			87125-MC5-610	EMBLEM, R. SIDE COVER	1 1		
		12	87137-KC8-620	EMBLEM, L. SIDE COVER	1		
			87137-MC5-610	EMBLEM, L. SIDE COVER	1 1		
		13	87506-MA1-670	MARK, BATTERY CAUTION	1 1		E, ED, IT, ND, SW, U, 1G, 2G
			87506-MA1-720	MARK, BATTERY CAUTION (FRENCH)	1 1		F
		14	90315-504-000	NUT, SPEED, 3MM	4 4		
		15	92400-06012	BOLT, SLOTTED, 6X12	1 1		
		16	94201-30400	PIN, SPLIT, 3.0X40	1 1		

I 2

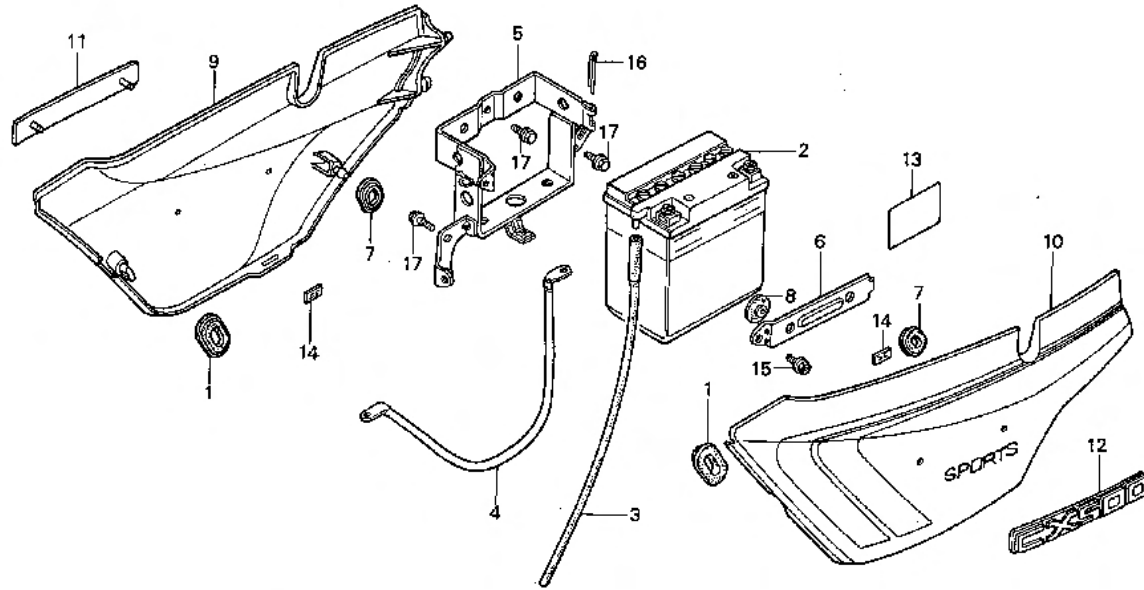
**F-16**

Side cover • Battery

Couvercle latéral • Batterie

Seitendeckel • Batterie

Cubierta lateral • Batería



BMC5-17

Service item	F.R.T.	Ref. No.	Part No.	Description	Reqd. No. CX 400 500	Serial No.	Area code
		17	95700-06010-08	BOLT, FLANGE, 6X10	4 4		



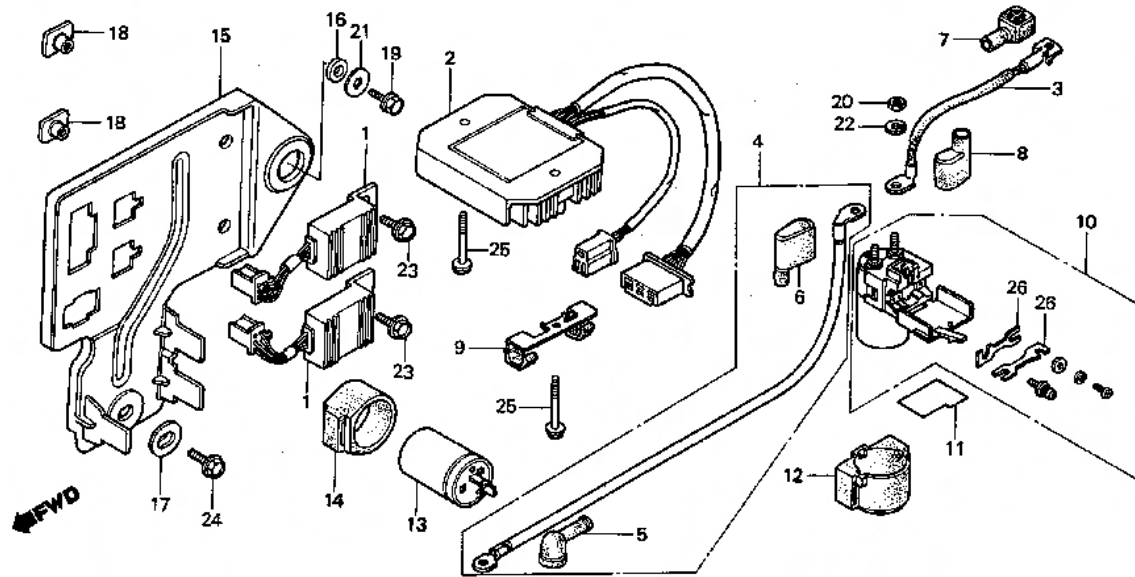
# F-17

Electric plate

Plaque électrique

Elektrische Platte

Placa electrica



BMC5-18

Service item	F.R.T.	Ref. No.	Part No.	Description	Reqd. No. CX 400 500	Serial No.	Area code
CABLE, STARTER BATTERY	0-1	1	30400-MA1-155	SPARK UNIT (NEC)	2	2	
RELAY COMP., WINKER		2	31600-MA1-008	RECTIFIER ASSY., REGULATOR	1	1	
CABLE, STARTER MOTOR	0-2	3	32401-MA1-000	CABLE, STARTER BATTERY	1	1	
SWITCH ASSY., STARTER MAGNETIC		4	32410-MC5-000	CABLE, STARTING MOTOR	1	1	
PLATE, ELECTRIC							
SPARK UNIT	0-3	5	32411-253-000	COVER, STARTING MOTOR TERMINAL	1	1	
(ADD 0-1 FOR EACH.)							
RECTIFIER ASSY., REGULATOR		6	32412-426-000	COVER, MAGNETIC SWITCH TERMINAL	1	1	
		7	32414-MA1-000	COVER, TERMINAL	1	1	
		8	32416-460-000	COVER B, MAGNETIC SWITCH	1	1	
		9	32900-MC5-000	CLIP	1	1	
		10	35850-425-017	SWITCH ASSY., STARTER MAGNETIC	1	1	
		11	35853-425-300	LABEL, FUSE COVER	1	1	

I 4

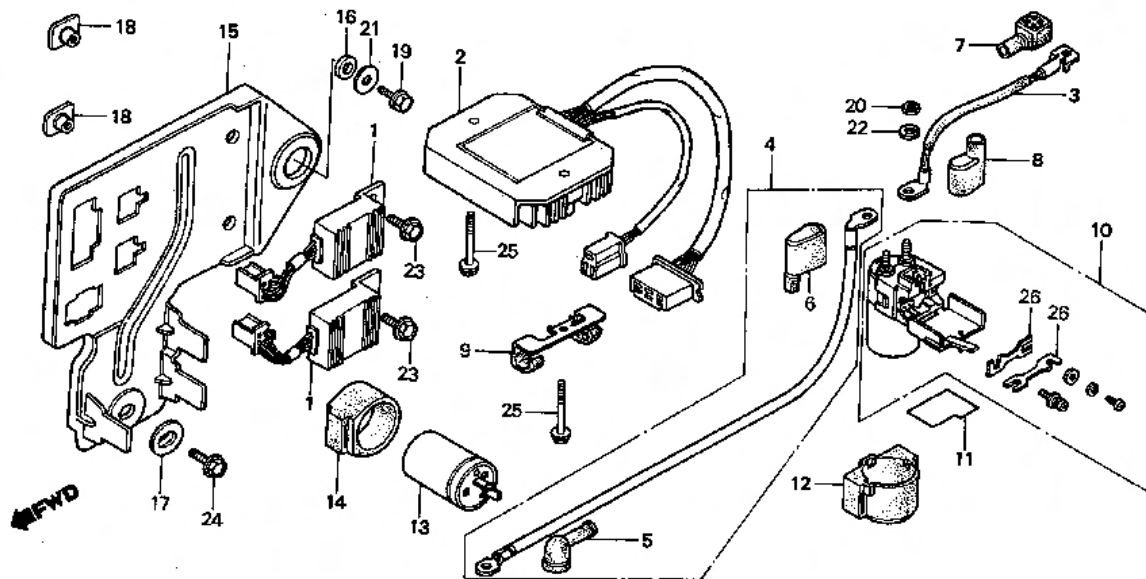
F-17

Electric plate

Plaque électrique

Elektrische Platte

Placa electrica



BMC5-18

Service item	F.R.T.	Ref. No.	Part No.	Description	Reqd. No.		Serial No.	Area code
					CX	500		
		12	35856-425-000	RUBBER, MAGNETIC SHOCK	1	1		
		13	36301-415-004	RELAY COMP., WINKER (MITSUBA)	1	1		
		14	38306-438-000	SUSPENSION, WINKER RELAY	1	1		
		15	50340-MA1-000	PLATE, ELECTRIC	1	1		
		16	50341-MC5-000	COLLAR, ELECTRIC PLATE	1	1		
		17	66181-706-000	COLLAR, DISTANCE	1	1		
		18	90301-471-000	NUT, AIR CLEANER CASE	2	2		
		19	92000-06016-0H	BOLT, HEX., 6X16	1	1		
		20	94002-06060	NUT, HEX., 6MM	4	4		
		21	94103-06000	WASHER, PLAIN, 6MM	1	1		
		22	94111-06800	WASHER, SPRING, 6MM	4	4		
		23	95700-06012-08	BOLT, FLANGE, 6X12	2	2		
		24	95700-06016-08	BOLT, FLANGE, 6X16	1	1		
		25	95700-06035-07	BOLT, FLANGE, 6X35	2	2		

I 5

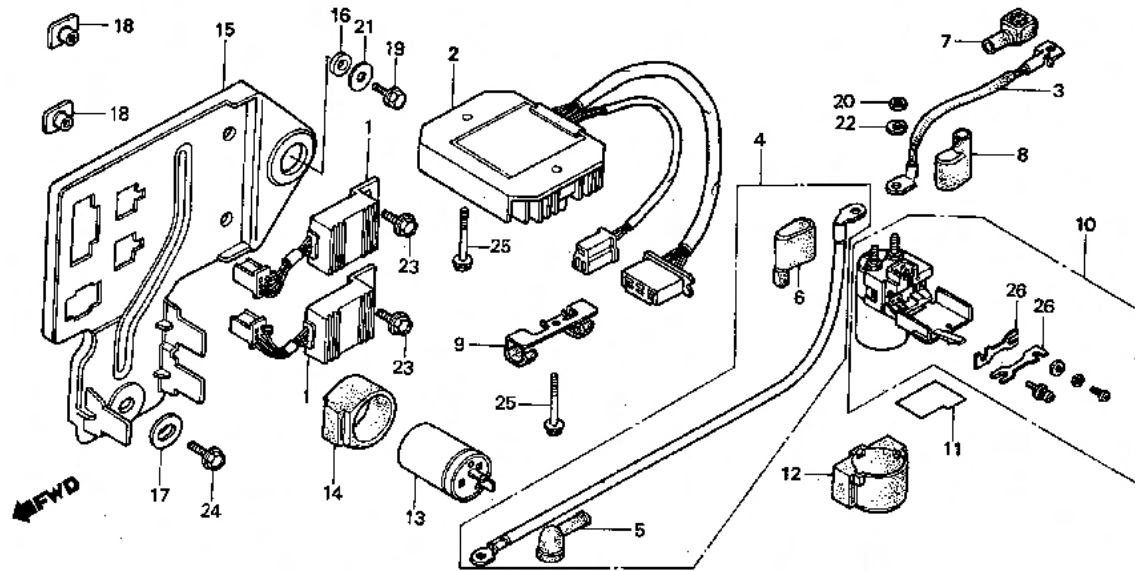
F-17

Electric plate

Plaque électrique

Elektrische Platte

Placa electrica



BMC5-18

Service item	F.R.T.	Ref. No.	Part No.	Description	Req. No. Cx 400 500	Serial No.	Area code
		26	98200-53000	FUSE F (30A)	2 2		





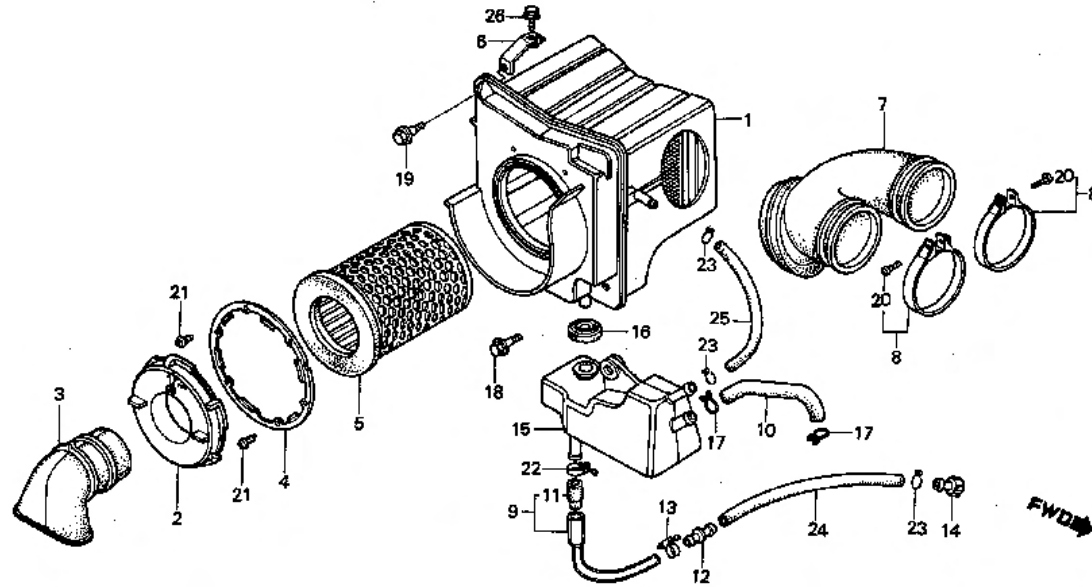
# F-18

Air cleaner

Filtre à air

Luftfilter

Limpiador de aire



BMA1-19

Service item	F.R.T.	Ref. No.	Part No.	Description	Reqd. No. CX 400 500	Serial No.	Area code
CAP, AIR CLEANER ELEMENT	0.1	1	17205-MA1-000	CASE COMP., AIR CLEANER	1	1	
ELEMENT, AIR CLEANER		2	17212-415-000	CAP, AIR CLEANER ELEMENT	1	1	
TUBE, AIR CLEANER CONNECTING	0.4	3	17213-415-000	TUBE, AIR CLEANER DUCT	1	1	
TANK, STORAGE		4	17214-415-300	HOLDER, CAP	1	1	
CASE COMP., AIR CLEANER	0.5	5	17220-415-003	ELEMENT, AIR CLEANER	1	1	
		6	17231-MA1-000	STAY, AIR CLEANER SETTING	1	1	
		7	17254-MA1-300	TUBE, AIR CLEANER CONNECTING	1	1	
		8	17256-358-000	BAND B, AIR CLEANER CONNECTING TUBE	2	2	
		9	17335-415-670	TUBE ASSY., BREATHER	1	1	
		10	17336-MA1-000	TUBE, BREATHER	1	1	
		11	17337-323-300	FILTER	1	1	
		12	17359-419-670	JOINT, BREATHER TUBE	1	1	
		13	17369-419-670	CLIP A13.5, TUBE	1	1	

I 7

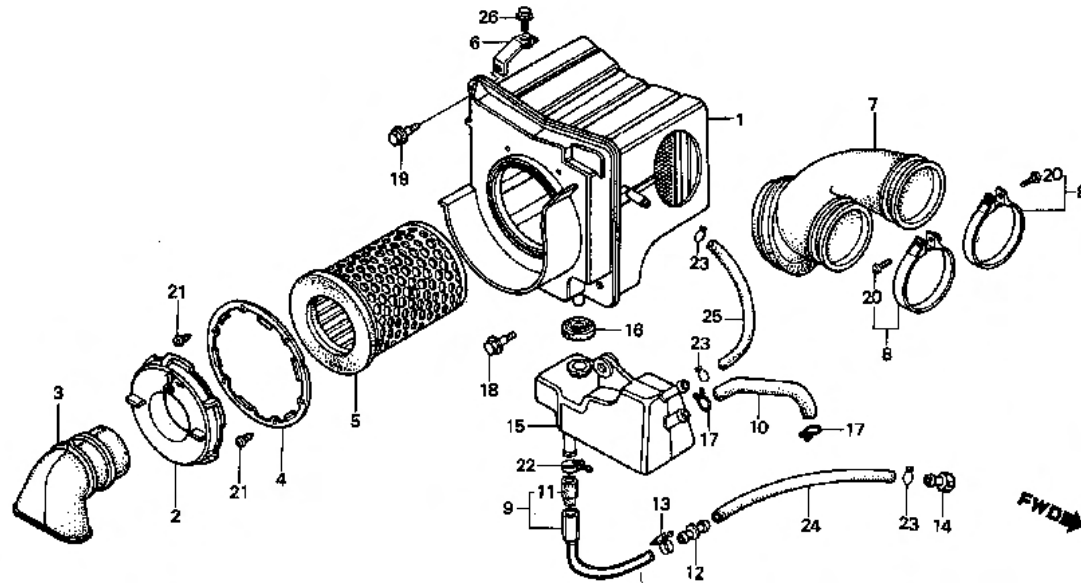
F-18

Air cleaner

Filtre à air

Luftfilter

Limpiador de aire



BMA1-19

Service item	F.R.T.	Ref. No.	Part No.	Description	Reqd. No. Cx 400 500	Serial No.	Area code
		14	17370-419-700	PLUG, BREATHER TUBE	1	1	
		15	17551-MA1-000	TANK, STORAGE	1	1	
		16	17552-MA1-000	GRUMMET, STORAGE TANK	1	1	
		17	16534-634-670	CLIP, AIR HOSE, 16	2	2	
		18	90111-162-000	BOLT, FLANGE, 6MM	1	1	
		19	90113-449-000	BOLT, FLANGE, 6X20	1	1	
		20	93506-04025-0A	SCREW, PAN, 4X25	2	2	
		21	93901-34120	SCREW, TAPPING, 4X8	6	6	
		22	95002-01150	CLIP A15, TUBE	1	1	
		23	95002-02130	CLIP B12.5, TUBE	3	3	
		24	95005-80100-20	TUBE, 8X100	1	1	
		25	95005-80190-20	TUBE, 8X190	1	1	
		26	95700-06016-08	BOLT, FLANGE, 6X16	1	1	

I 8

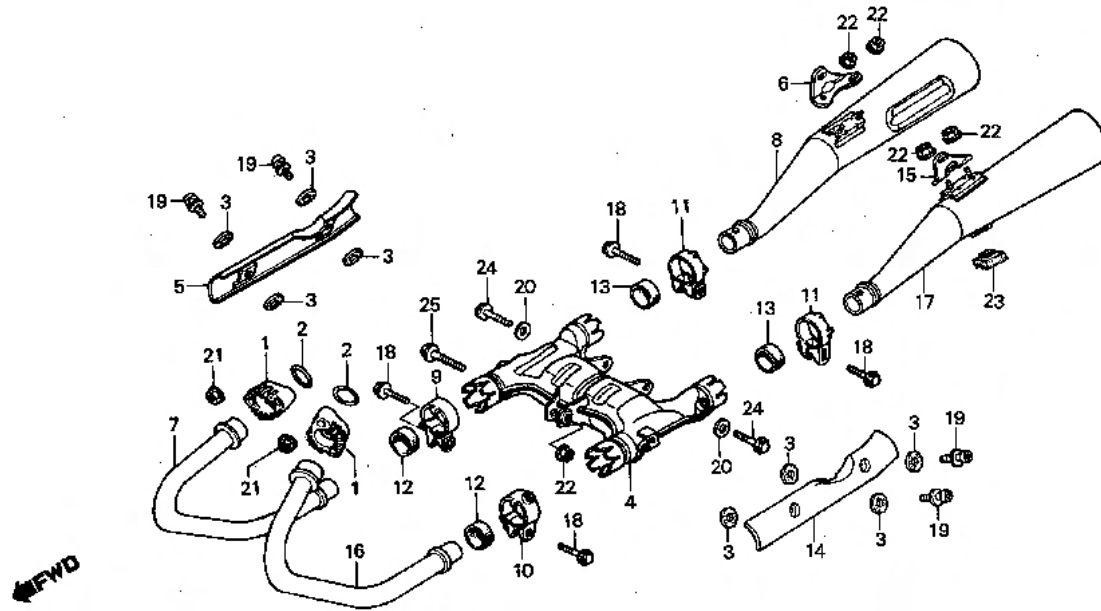
F-19

Exhaust muffler

Pot d'échappement

Auspufftopf

Silenciador



BMC5-19

Service item	F.R.T.	Ref. No.	Part No.	Description	Reqd. No. CX 400 500	Serial No.	Area code
PROTECTOR, R. CHAMBER	0-1	1	18231-415-000	JOINT, EX. PIPE	2 2		
PIPE, R. EX.		2	18291-286-000	GASKET, EX. PIPE	2 2		
MUFFLER COMP., R.		3	18292-415-000	PACKING, PROTECTOR	8 8		
PIPE, L. EX.		4	18310-MC5-003	CHAMBER COMP., PRE	1 1		
MUFFLER COMP., L.	0-4	5	18315-MC5-003	PROTECTOR, R. CHAMBER	1 1		
CHAMBER COMP., PRE		6	18318-MC5-003	BRACKET, R. MUFFLER	1 1		
		7	18320-415-003	PIPE, R. EX.	1 1		E,EO,F,IT,ND,SW,U
			18320-415-610	PIPE, R. EX.	1		1G
			18320-415-780	PIPE, R. EX.	1		2G
		8	18330-MC5-003	MUFFLER COMP., R.	1 1		
		9	18373-415-000	BAND, R. FR. MUFFLER	1 1		
		10	18374-MA1-003	BAND, L. FR. MUFFLER	1 1		



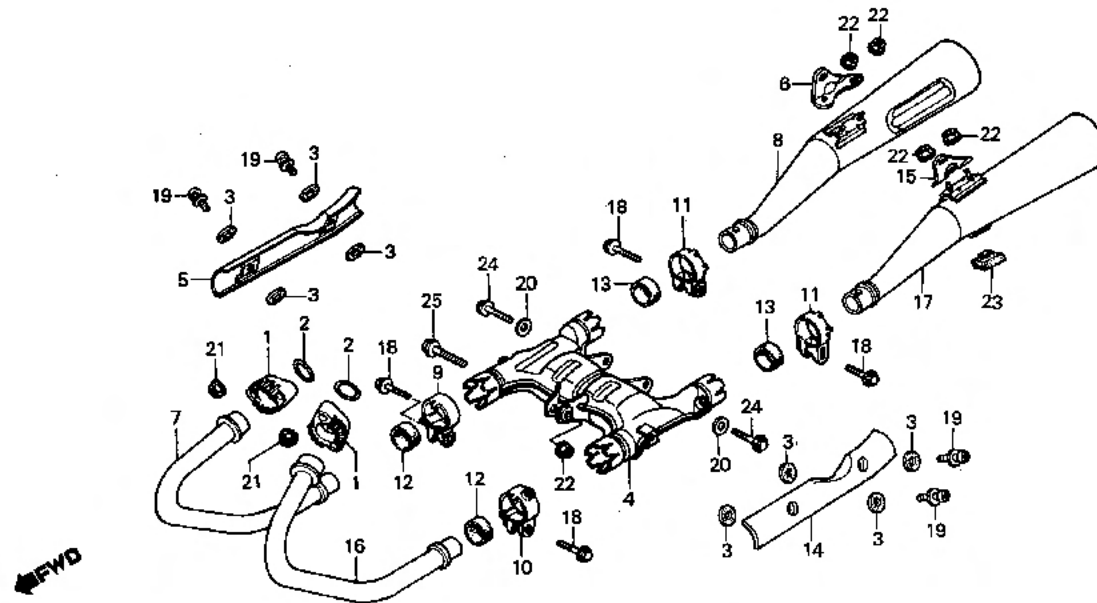
# F-19

Exhaust muffler

Pot d'échappement

Auspufftopf

Silenciador



BMC5-19

Service item	F.R.T.	Ref. No.	Part No.	Description	Reqd. No. CX 400 500	Serial No.	Area code
		11	18375-413-000	BAND, R. RR. MUFFLER	2 2		
		12	18391-317-000	PACKING, MUFFLER	2 2		
		13	18392-413-000	PACKING, RR. MUFFLER	2 2		
		14	18415-MC5-003	PROTECTOR, L. CHAMBER	1 1		
		15	18418-MC5-003	BRACKET, L. MUFFLER	1 1		
		16	18420-415-003	PIPE, L. EX.	1 1		E, ED, F, IT, ND, SW, U
			18420-415-610	PIPE, L. EX.	1		1G
			18420-415-780	PIPE, L. EX.	1		2G
		17	18430-MC5-003	MUFFLER COMP. L.	1 1		
		18	90118-471-000	BOLT, FLANGE, 8X37	4 4		
		19	90136-415-750	SCREW-WASHER, 6X14	4 4		
		20	90401-MA1-000	WASHER, LOCK	2 2		
		21	94050-06000	NUT, FLANGE, 6MM	4 4		
		22	94050-08080	NUT, FLANGE, 8MM	5 5		
		23	95011-61000	RUBBER A, STAND STOPPER	1 1		

I 10

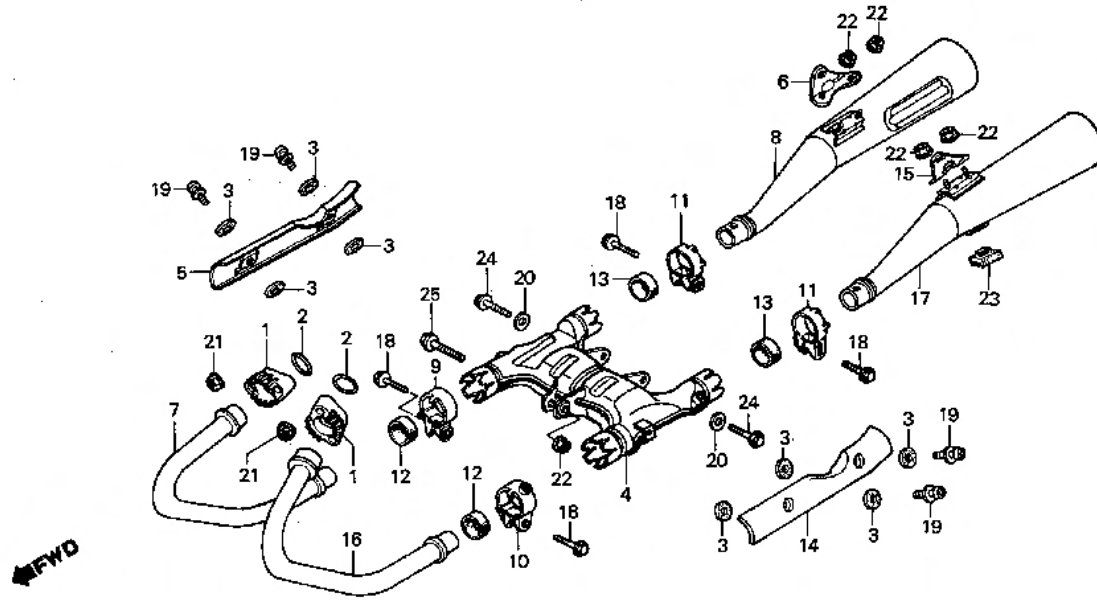
F-19

Exhaust muffler

Pot d'échappement

Auspufftopf

Silenciador



BMC5-19

Service item	F.R.T.	Ref. No.	Part No.	Description	Reqd. No. Cx 400 500	Serial No.	Area code
		24	95700-08020-08	BOLT, FLANGE, 8X20	2 2		
		25	95700-08040-08	BOLT, FLANGE, 8X40	1 1		

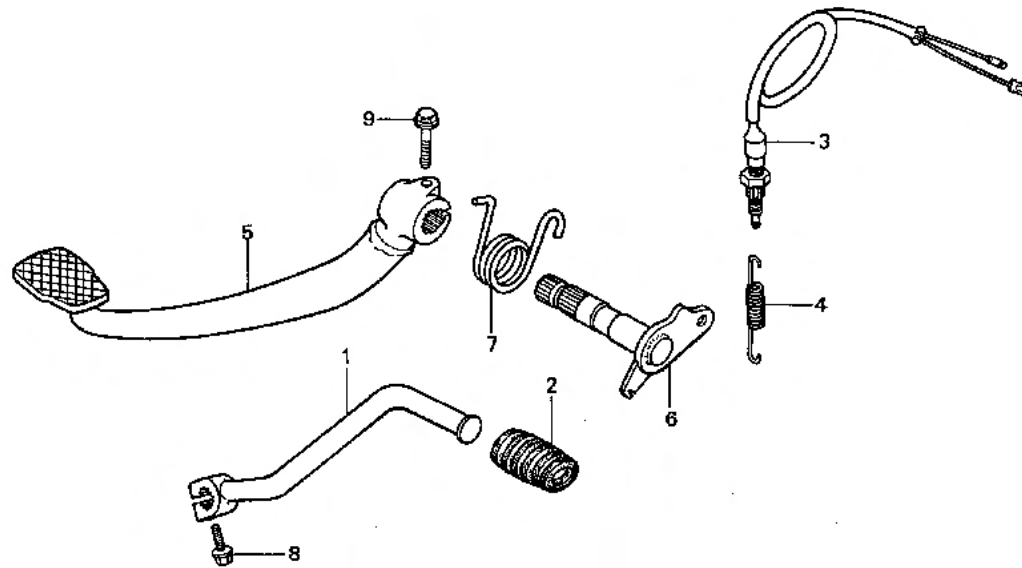
F-20

Brake pedal • Change pedal

Pédale de frein •  
Pédale de changement

Bremspedal • Schaltpedal

Pedal de freno • Pedal de cambio



BMC5-20

Service item	F.R.T.	Ref. No.	Part No.	Description	Reqd. No.		Serial No.	Area code
					CX	400 500		
PEDAL, GEAR CHANGE	0.1	1	24700-MC5-000	PEDAL, GEAR CHANGE	1	1		
•SPRING, STOP SWITCH		2	24781-449-000	RUBBER, GEAR CHANGE	1	1		
•PEDAL COMP., RR. BRAKE	0.2	3	35350-MA1-003	SWITCH ASSY., RR. STOP	1	1		
SWITCH ASSY., RR. STOP	0.3	4	35357-426-610	SPRING, STOP SWITCH	1	1		
SPINDLE COMP., RR. BRAKE		5	46500-MC5-000	PEDAL COMP., RR. BRAKE	1	1		
		6	46510-ML7-000	SPINDLE COMP., RR. BRAKE	1	1		
		7	46514-MC7-000	SPRING, BRAKE PEDAL	1	1		
		8	95700-06020	BOLT, FLANGE, 6X20	1	1		
		9	95700-06028-00	BOLT, FLANGE, 6X28	1	1		

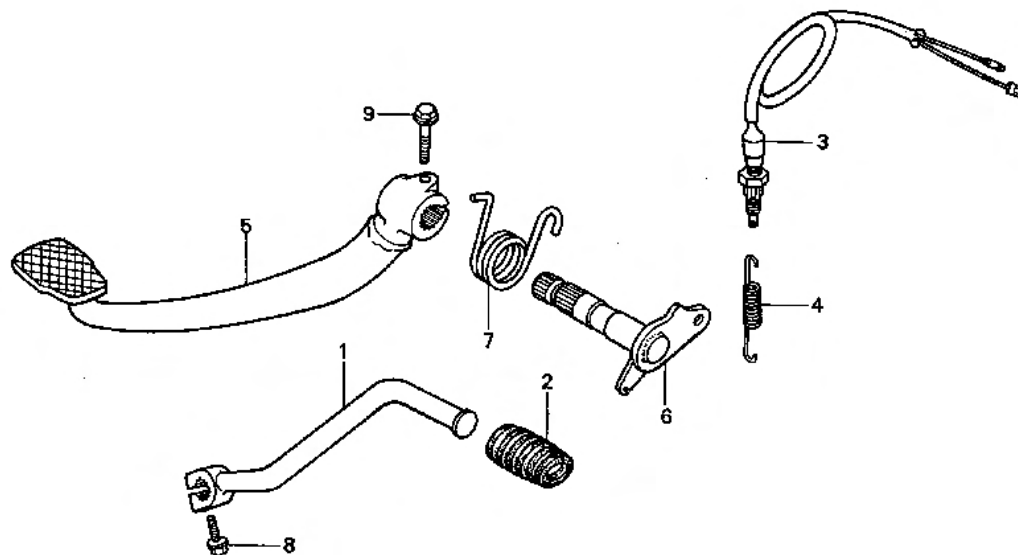
F-21

Step

Repose pieds

Tritt

Estribo



BMC5-21

Service item	F.R.T.	Ref. No.	Part No.	Description	Reqd. No.		Serial No.	Area code
					CX	500		
STEP ASSY., R. (INC. RELATIVE PART)	0-1	1	37243-323-000	COLLAR, METER SETTING	2	2		
BAR, L. STEP (INC. RELATIVE PART)		2	50601-MC5-000	HOLDER, R. STEP	1	1		
BAR, PILLION STEP (INC. RELATIVE PART)		3	50603-033-000	PIN, STEP BAR JOINT	2	2		
HOLDER, R. STEP		4	50610-MC5-000	STEP ASSY., R.	1	1		
HOLDER, L. STEP	0-2	5	50611-MC5-000	BRACKET, R. STEP	1	1		
BRACKET, R. PILLION STEP		6	50612-460-840	BAR, R. STEP	2	2		
BRACKET, L. PILLION STEP		7	50614-413-000	WASHER, MAIN STEP	2	2		
		8	50619-460-840	STOPPER, STEP RUBBER	2	2		
		9	50620-MC5-000	STEP ASSY., L.	1	1		
		10	50621-MC5-000	BRACKET, L. STEP	1	1		
		11	50643-460-840	BAR, L. STEP	1	1		
		12	50661-425-670	RUBBER, STEP	2	2		
		13	50700-MC5-000	STEP ASSY., R. PILLION	1	1		

I 13

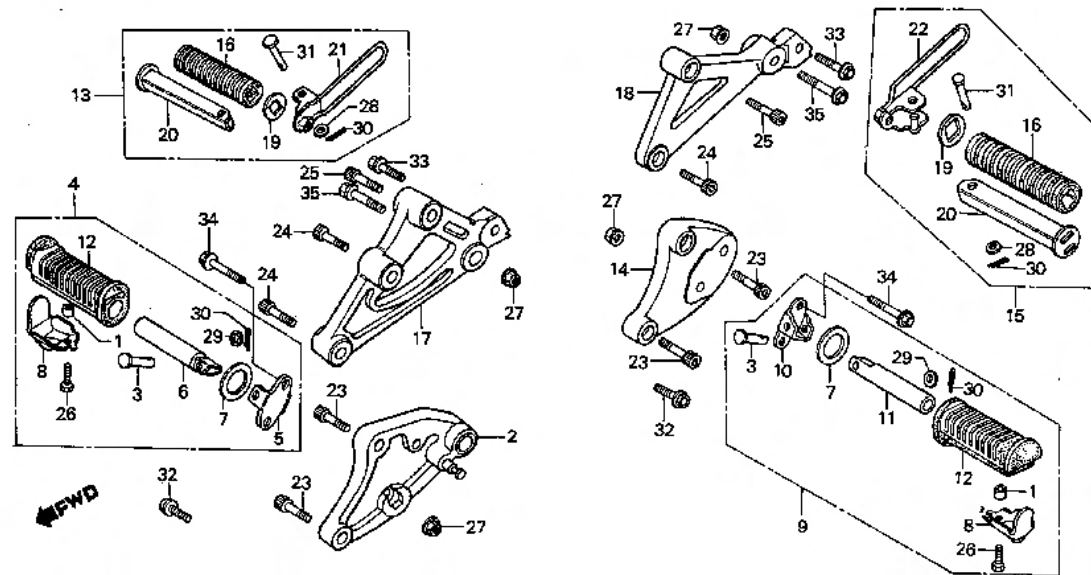
F-21

Step

Repose pieds

Tritt

Estribo



BMC5-21

Service item	F.R.T.	Ref. No.	Part No.	Description	Reqd. No.		Serial No.	Area code
					CX	500		
		14	50701-MC7-000	HOLDER, L. STEP	1	1		
		15	50705-MC5-000	STEP ASSY., L. PILLION	1	1		
		16	50710-377-000	RUBBER, PILLION STEP	2	2		
		17	50711-MC7-000	BRACKET, R. PILLION STEP	1	1		
		18	50712-MC7-000	BRACKET, L. PILLION STEP	1	1		
		19	50712-413-000	WASHER, PILLION STEP	2	2		
		20	50715-MA6-000	BAR, PILLION STEP	2	2		
		21	50715-MC5-000	BRACKET, R. PILLION STEP	1	1		
		22	50716-MC5-000	BRACKET, L. PILLION STEP	1	1		
		23	90116-MC7-000	BOLT, SOCKET, 8X28	4	4		
		24	90117-MC7-000	BOLT, SOCKET, 8X40	3	3		
		25	90125-MC7-000	BOLT, SOCKET, 8X45	2	2		



# I 14

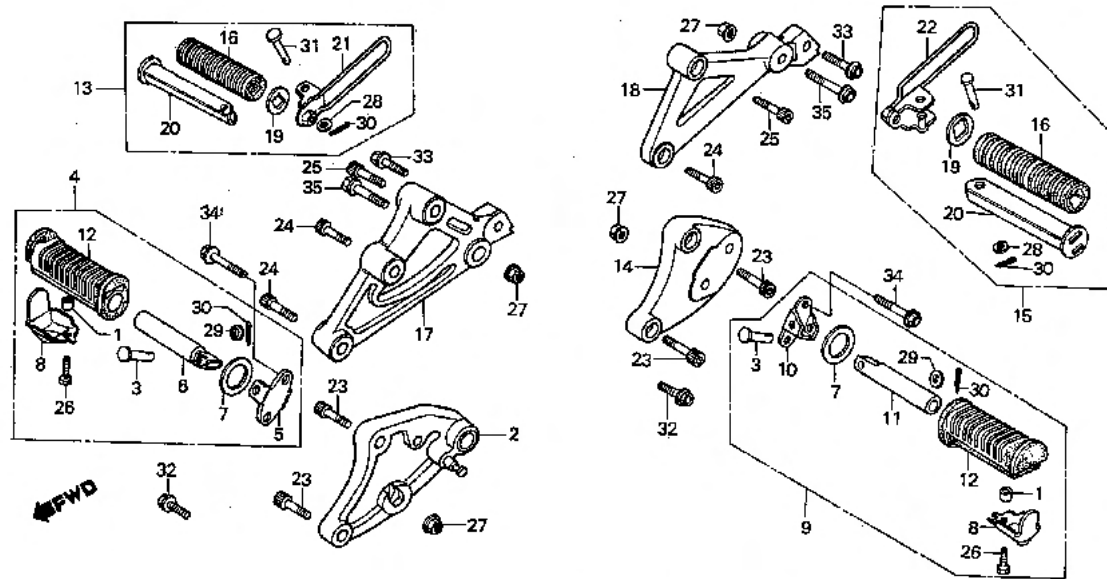
## F-21

Step

Repose pieds

Tritt

Estribo



BMC5-21

Service item	F.R.T.	Ref. No.	Part No.	Description	Reqd. No.		Serial No.	Area code
					CX	500		
		26	92000-06016-1A	BOLT, HEX., 6X16	2	2		
		27	94001-08000-05	NUT, HEX., 8MM	2	2		
		28	94101-06000	WASHER, PLAIN, 6MM	2	2		
		29	94101-08000	WASHER, PLAIN, 8MM	2	2		
		30	94201-16150	PIN, SPLIT, 1.6X15	4	4		
		31	95015-81000	PIN A, PILLION STEP	2	2		
		32	95700-08020-00	BOLT, FLANGE, 8X20	2	2		
		33	95700-08028-00	BOLT, FLANGE, 8X28	2	2		
		34	95700-08040-00	BOLT, FLANGE, 8X40	2	2		
		35	95700-10040-00	BOLT, FLANGE, 10X40	2	2		

I 15

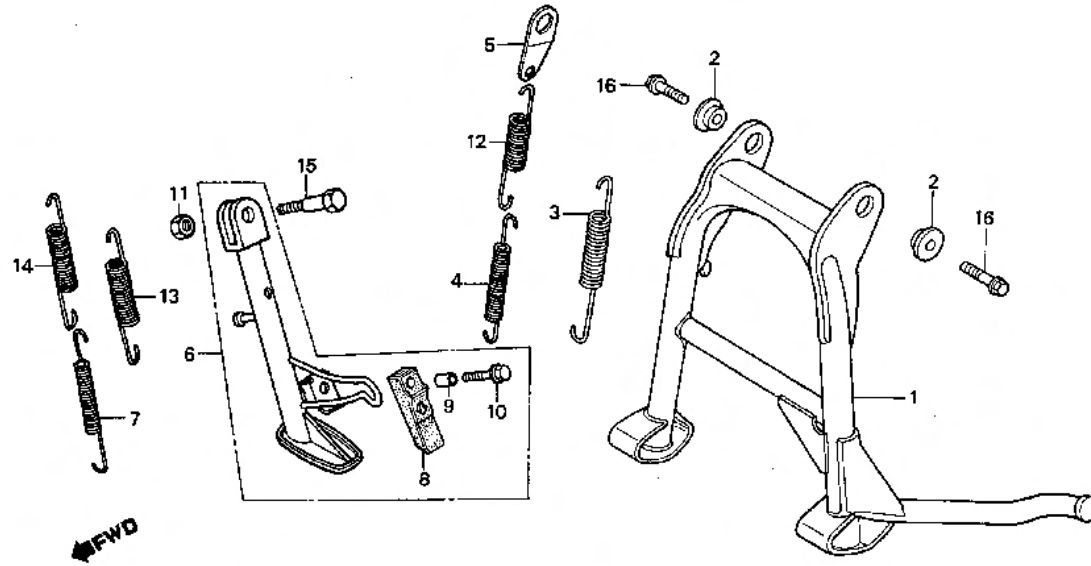
F-22

Stand

Bequille

Ständer

Estante



BMC5-22

Service item	F.R.T.	Ref. No.	Part No.	Description	Reqd. No.		Serial No.	Area code
					CX	500		
SPRING A, SIDE STAND	0.1	1	50500-MC5-000	STAND COMP., MAIN	1	1		
SPRING, MAIN STAND	0.2	2	50503-M41-000	COLLAR, MAIN STAND	2	2		
STAND ASSY., SIDE	0.4	3	50510-413-610	SPRING, MAIN STAND	1	1		1G,2G
STAND COMP., MAIN		4	50520-413-610	SUB SPRING, MAIN STAND	1	1		1G,2G
		5	50523-415-610	PLATE, MAIN STAND SPRING	1	1		1G,2G
		6	50540-MC5-000	STAND ASSY., SIDE	1	1		
		7	50542-438-000	SUB SPRING, SIDE STAND	1	1		1G,2G
		8	50548-356-700	RUBBER, STAND	1	1		
		9	50549-356-700	COLLAR, STAND RUBBER SETTING	1	1		
		10	90108-223-000	SCREW, SIDE STAND PIVOT	1	1		
		11	94031-10000	NUT, HEX., 10MM	1	1		

I 16

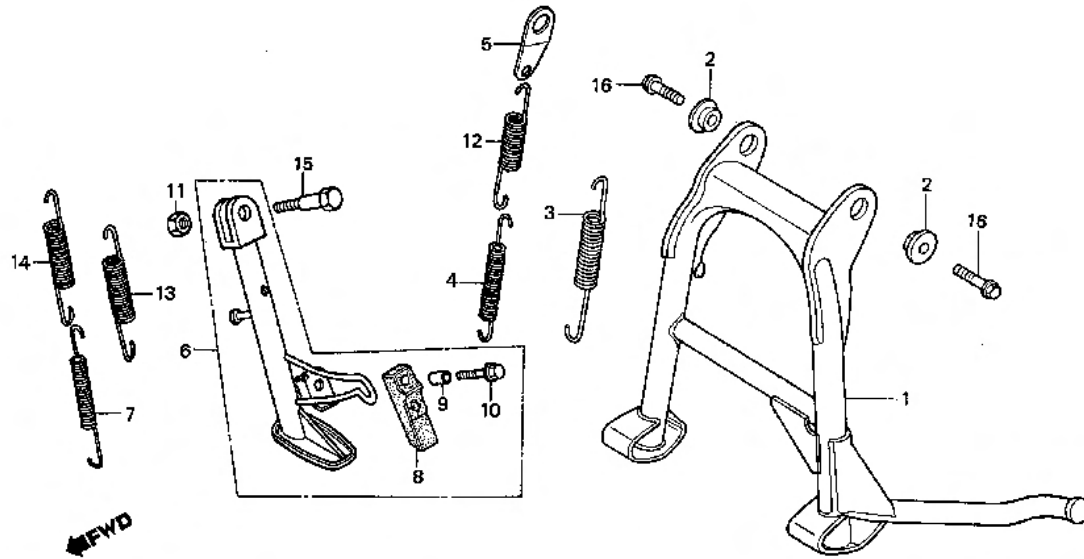
F-22

Stand

Bequille

Ständer

Estante



BMC5-22

Service item	F.R.T.	Ref. No.	Part No.	Description	Req. No. Cx 400 500	Serial No.	Area code
		12	95014-71402	SPRING J, MAIN STAND	1	1	E,ED,F,IT,ND,SH,U
		13	95014-72102	SPRING A, SIDE STAND	1	1	1G,2G
		14	95014-72402	SPRING D, SIDE STAND	1	1	E,ED,F,IT,ND,SH,U
		15	95700-06628-00	BOLT, FLANGE, 6X28	1	1	
		16	95800-10025-08	BOLT, FLANGE, 10X25	2	2	

**J 1**

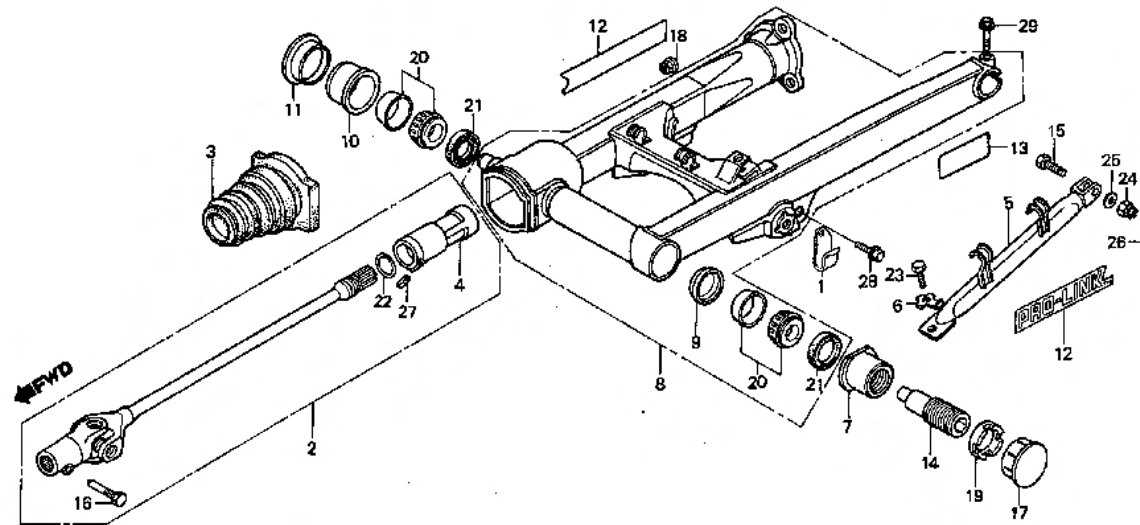
**F-23**

Rear fork

Fourche arrière

Hintere Schwinge

Horquilla trasera



BMC5-23

Service item	F.R.T.	Ref. No.	Part No.	Description	Reqd. No. CX 400 500	Serial No.	Area code
BOLT, PIVOT	0.1	1	32921-422-000	CLIP, OVER FLOW TUBE	1 1		
ARM, RR. BRAKE STOPPER	0.3	2	40200-MA1-000	SHAFT COMP., PROPELLER	1 1		
SHAFT COMP., PROPELLER	1.3	3	40207-MA1-000	SOCKET, JOINT	1 1		
NUT, FORK PIVOT		4	40210-415-010	JOINT, PROPELLER SHAFT	1 1		
FORK ASSY., RR.	1.5	5	43431-MC5-000	ARM, RR. BRAKE STOPPER	1 1		
BEARING, 30203J (ONE OR ALL)		6	43432-MC5-000	WASHER, RR. BRAKE STOPPER	1 1		
		7	50197-MA1-300	NUT, FORK PIVOT	1 1		
		8	52110-MC5-000ZA	FORK ASSY., RR. *NH-1*	1 1		
		9	52112-MA1-300	HOLDER, RR. FORK GREASE	1 1		
		10	52115-MA1-000	HOLDER, RR. FORK PIVOT BEARING	1 1		
		11	52117-MA1-000	CAP, RR. FORK PIVOT	1 1		
		12	87133-MA1-000	MARK, PRO LINK	2 2		
		13	87505-MC5-610	MARK, TIRE CAUTION	1 1		E, ED, ND, SW, U, IG, 2G
			87505-MC5-620	MARK, TIRE CAUTION (FRENCH)	1 1		F
			87505-MC5-680	MARK, TIRE CAUTION	1 1		IT

J 2

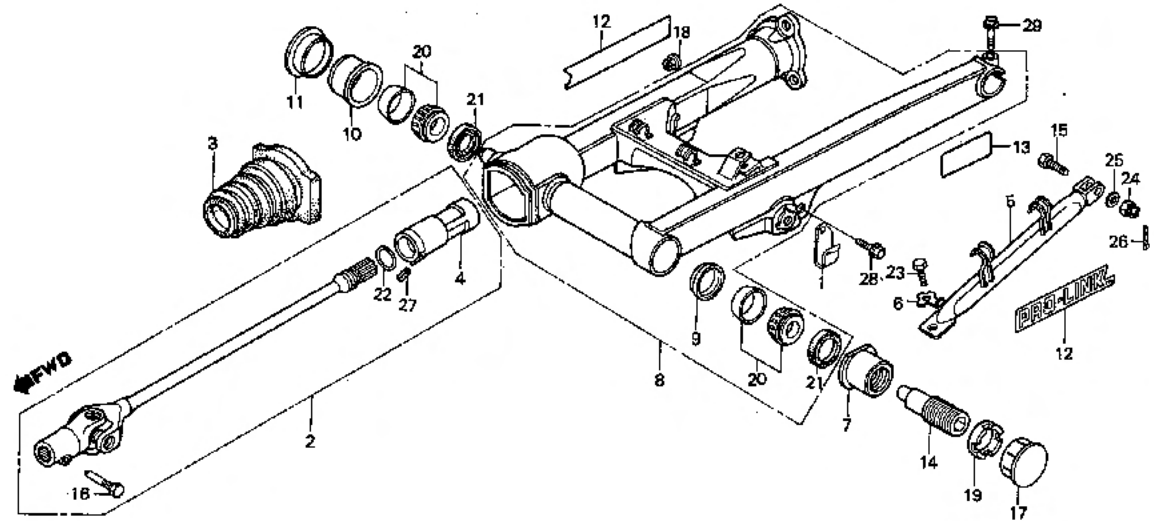
F-23

Rear fork

Fourche arrière

Hintere Schwinge

Horquilla trasera



BMC5-23

Service item	F.R.T.	Ref. No.	Part No.	Description	Reqd. No. CX 400 500	Serial No.	Area code
		14	90121-MA1-000	BOLT, PIVOT	1 1		
		15	90124-392-000	BOLT, RR. BRAKE STOPPER ARM	1 1		
		16	90127-415-000	BOLT, SPECIAL, 8MM	1 1		
		17	90303-463-010	CAP, LOCK NUT	1 1		
		18	90308-357-000	NUT, HEX., 10MM	3 3		
		19	90355-MA1-000	NUT, RR. FORK PIVOT	1 1		
		20	91066-MC7-003	BEARING, 30203J	2 2		
			91066-MC7-004	BEARING, 30203J	2 2		
		21	91268-463-003	DUST SEAL, 26X40X5	2 2		
		22	91359-415-300	O-RING, 22X1.7	1 1		
		23	92106-08028-0A	BOLT, HEX., 8X28	1 1		
		24	94011-08000-0S	NUT, CASTLE, 8MM	1 1		
		25	94101-08000	WASHER, PLAIN, 8MM	1 1		
		26	94201-20150	PIN, SPLIT, 2-0X15	1 1		
		27	94305-40222	PIN, SPRING, 4X22	1 1		
		28	95700-08012-07	BOLT, FLANGE, 6X12	1 1		

J 3

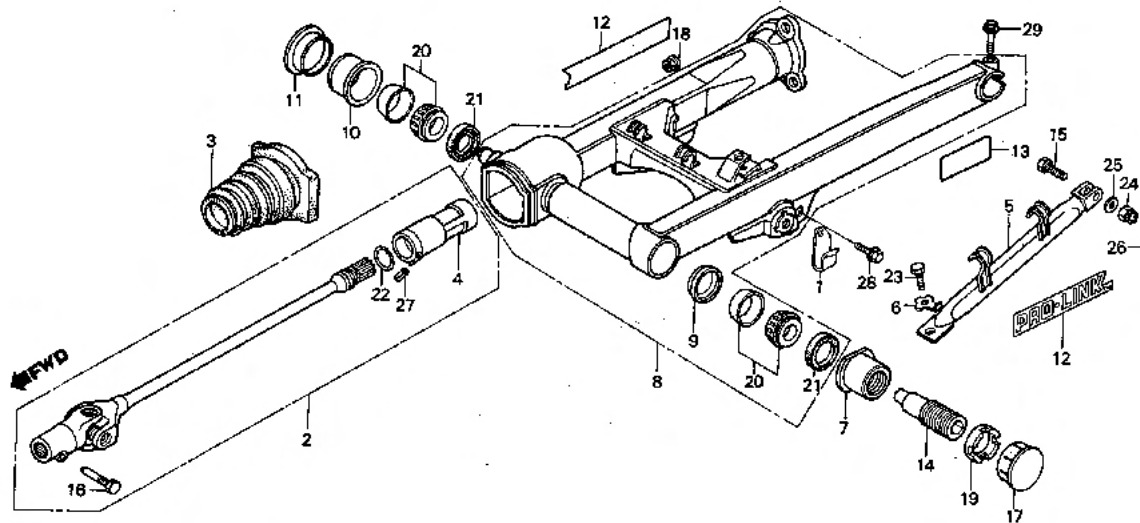
F-23

Rear fork

Fourche arrière

Hintere Schwinge

Horquilla trasera



BMC5-23

Service item	F.R.T.	Ref. No.	Part No.	Description	Reqd. No. CX 400 500	Serial No.	Area code
		29	95700-08032-00	BDLT, FLANGE, BX32	1 1		

**J 4**

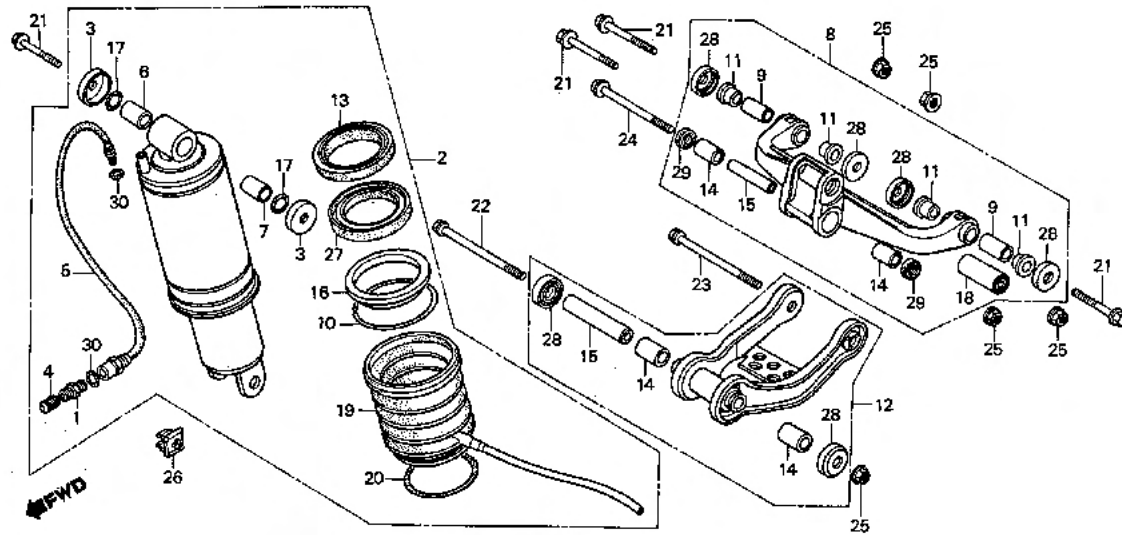
**F-24**

Rear cushion

Amortisseur arrière

Hinterer Stoßdämpfer

Amortiguador trasero



BMC5-24

Service item	F.R.T.	Ref. No.	Part No.	Description	Reqd. No. CX 400 500	Serial No.	Area code
VALVE COMP., AIR	0-1	1	51456-469-013	VALVE COMP., AIR (SHOWA)	1 1		
HOSE, RR. CUSHION	0-3	2	52400-MC5-003	CUSHION ASSY., RR.	1 1		
ARM ASSY., CUSHION		3	52406-MC7-003	CAP	2 2		
ROD ASSY., CUSHION CONNECTING	0-4	4	52425-169-003	CAP, AIR VALVE (SHOWA)	1 1		
CUSHION ASSY., RR.	0-5	5	52432-MA1-003	HOSE, RR. CUSHION (SHOWA)	1 1		
BOOT COMP., CUSHION		6	52452-MA1-611	BUSH, METAL	1 1		
OIL SEAL, 65X80X10-5	0-9	7	52453-MA1-731	COLLAR, BUSH	1 1		
		8	52460-MC7-000	ARM ASSY., CUSHION	1 1		
		9	52462-MA2-000	COLLAR, CONNECTING ROD PIVOT	2 2		
		10	52463-MC7-003	RING B, STOPPER	1 1		
		11	52465-MC7-300	BUSH, CONNECTING ROD	4 4		
		12	52470-MA1-000	ROD ASSY., CUSHION CONNECTING	1 1		

J 5

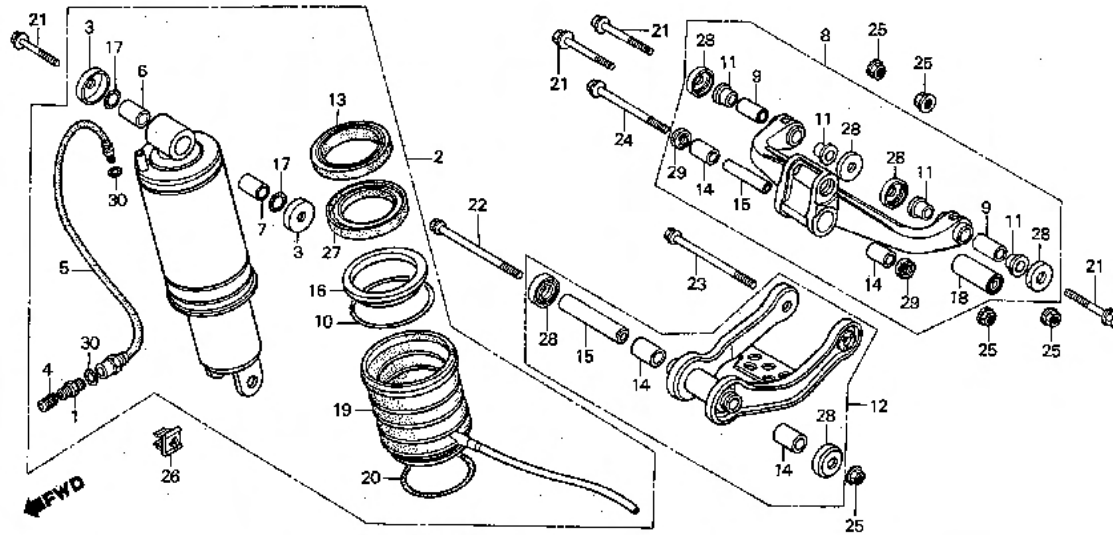
F-24

Rear cushion

Amortisseur arrière

Hinterer Stoßdämpfer

Amortiguador trasero



BMC5-24

Service item	F.R.T.	Ref. No.	Part No.	Description	Reqd. No.		Serial No.	Area code
					CX	500		
		13	52472-MC7-003	CASE, GUIDE	1	1		
		14	52474-MA1-003	BUSH, CUSHION CONNECTING ROD	4	4		
		15	52475-MA1-000	COLLAR, CONNECTING ROD	2	2		
		16	52477-MC7-003	RING, BACK UP	1	1		
		17	52478-MC7-003	O-RING, 14.5X1.5	2	2		
		18	52485-MA2-003	BUSH, DAMPER	1	1		
		19	52611-MC7-003	BOOT COMP., CUSHION	1	1		
		20	52612-MA2-003	BAND, BOOT	1	1		
		21	90152-MA1-000	BOLT, FLANGE, 10X64	3	3		
		22	90153-MA1-000	BOLT, UBS FLANGE, 10X100	1	1		
		23	90154-MA1-000	BOLT, UBS FLANGE, 10X96	1	1		
		24	90189-MA2-003	BOLT D, FLANGE	1	1		
		25	90304-GA6-003	NUT, AXLE	5	5		



J 6

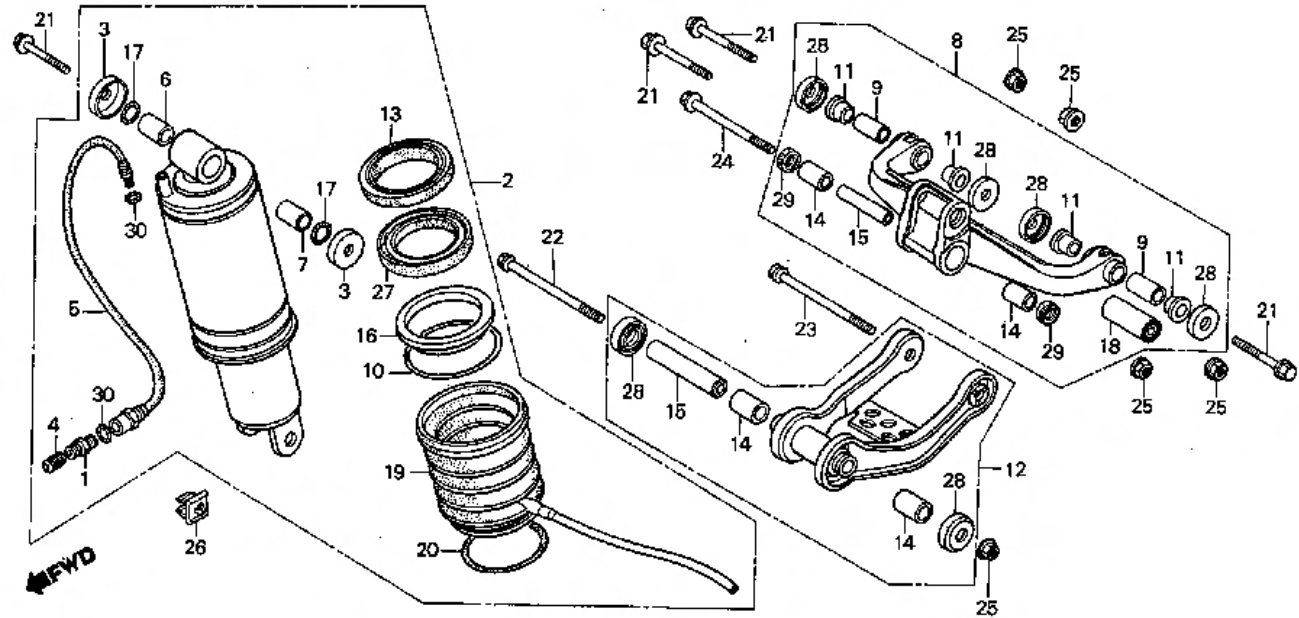
F-24

Rear cushion

Amortisseur arrière

Hinterer Stoßdämpfer

Amortiguador trasero



BMC5-24

Service item	F.R.T.	Ref. No.	Part No.	Description	Reqd. No.		Serial No.	Area code
					CX	500		
		26	90662-MA1-003	CLIP, HOSE	1	1		
		27	91257-MC7-003	GIL SEAL, 65X80X10.5	1	1		
		28	91262-MA0-013	SEAL, CUSHION CONNECTING ROD	6	6		
			91262-MA0-015	SEAL, CUSHION CONNECTING ROD PIVOT	6	6		
		29	91262-MA1-005	DUST SEAL, CONNECTING ROD PIVOT	2	2		
		30	91301-469-003	O-RING, 5.8X1.9	3	3		



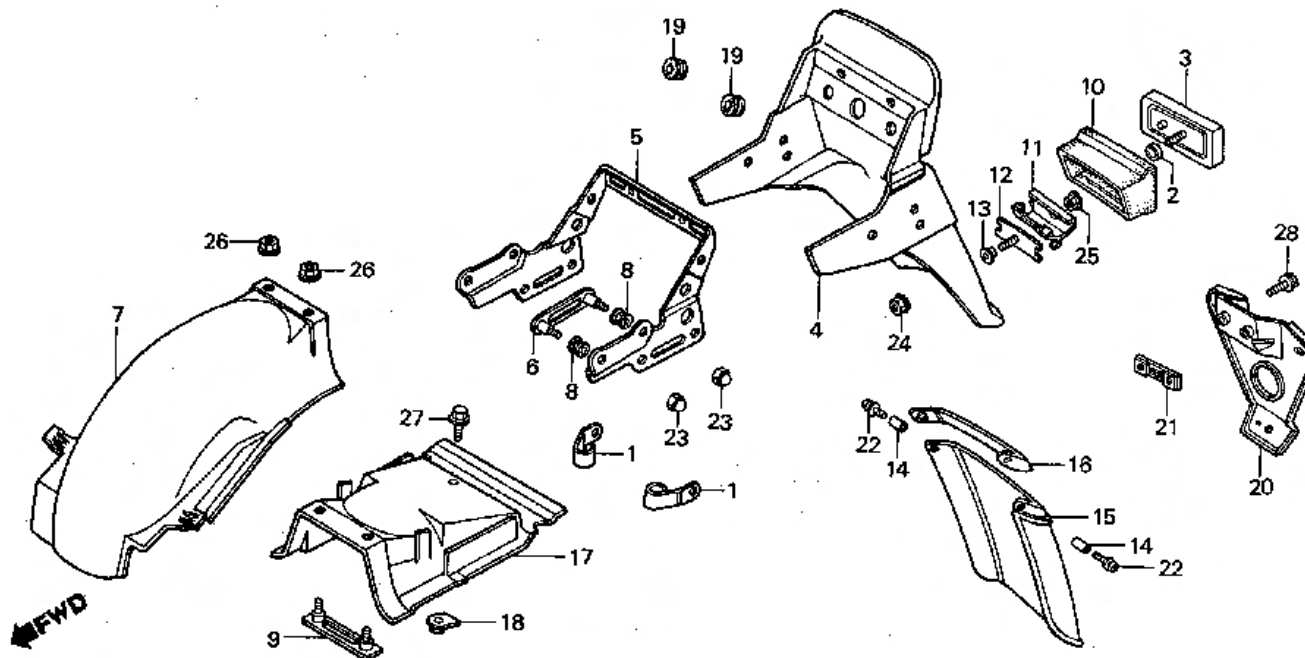
# F-25

Rear fender

Garde-boue arrière

Hinterer Kotflügel

Parafango trasero



BMC5-25

Service item	F.R.T.	Ref. No.	Part No.	Description	Reqd. No.		Serial No.	Area code
					CX	500		
BASE, RR. REFLEX REFLECTOR	0.1	1	32112-191-000	CLIP, WIRE	2	2		
MUDGUARD, RR. FENDER		2	33608-087-920	COLLAR, RR. WINKER MOUNTING	1	1		
BRACKET, NUMBER PLATE		3	33741-MC7-611	REFLECTOR, REFLEX	1	1		E, ED, F, IT, ND, SW, 1G, 2G
FENDER B, RR.	0.3		33741-415-601	REFLECTOR, RR. REFLEX		1		E, ED, F, IT, ND, SW, 1G, 2G
FENDER C, RR.				(STANLEY)				U
STAY, TAILLIGHT	0.4	4	80100-MC5-000	FENDER A, RR.		1		U
FENDER A, RR.	0.5		80100-MC7-000	FENDER A, RR.	1	1		E, ED, F, IT, 1G, 2G
			80100-MC7-640	FENDER A, RR.		1		ND, SW
		5	80101-MC5-000	STAY, TAILLIGHT	1	1		
		6	80102-MC5-000	PLATE, RR. FENDER A	2	2		
		7	80105-MC7-000	FENDER B, RR.	1	1		
		8	80106-028-010	CUSHION B, RR. FENDER	4	4		
		9	80110-MC5-000	PLATE, RR. FENDER	1	1		
		10	80111-MC7-000	BASE, RR. REFLECTOR	1	1		E, ED, F, IT, ND, SW, 1G, 2G
		11	80112-MC7-000	BRACKET, REFLECTOR RR.	1	1		E, ED, F, IT, ND, SW, 1G, 2G

**J 8**

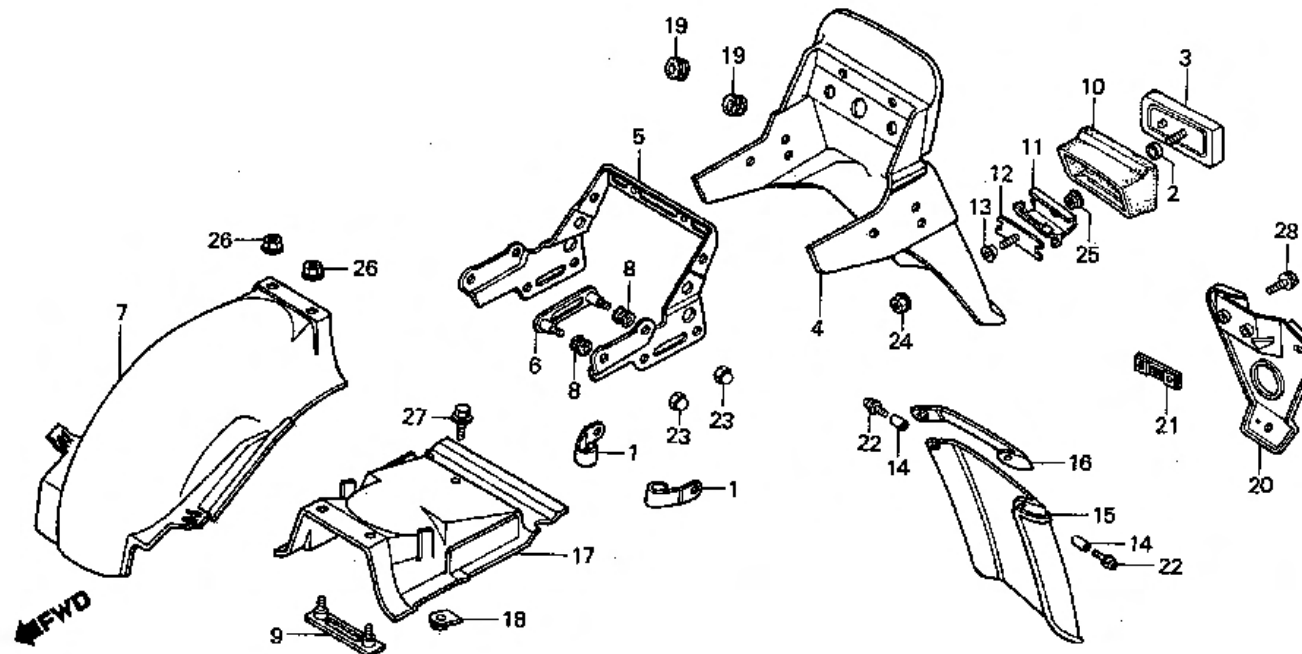
**F-25**

Rear fender

Garde-boue arrière

Hinterer Kotflügel

Parafango trasero



BMC5-25

Service item	F.R.T.	Ref. No.	Part No.	Description	Reqd. No.		Serial No.	Area code
					400	500		
		12	80113-MC7-000	PLATE, RR. REFLECTOR	1	1		E, ED, F, IT, ND, SW, 1G, 2G
		13	80114-MC7-000	COLLAR, RR. FENDER	1	1		E, ED, F, IT, ND, SW, 1G, 2G
			90129-MA1-740	COLLAR, REFLECTOR SETTING		1		U
		14	80115-MC7-640	COLLAR, RR. MUDGUARD		3		ND, SW
		15	80121-MC7-640	MUDGUARD, RR. FENDER		1		ND, SW
		16	80122-MC7-640	STAY, MUDGUARD		1		ND, SW
		17	80205-MC5-000	FENDER C, RR.	1	1		
		18	80206-MC5-000	PATCH, RR. FENDER	1	1		
		19	83951-385-000	GROMMET, SIDE COVER	2	2		
		20	84701-MC5-000	BRACKET, NUMBER PLATE		1		U
		21	84702-MA1-000	BRACKET, NUMBER PLATE		1		U
		22	93891-05016-07	SCREW-WASHER, 5X16		2		ND, SW
		23	94021-06070-0S	NUT, CAP, 6MM	4	4		
		24	94050-05080	NUT, FLANGE, 5MM	2	2		E, ED, F, IT, ND, SW, 1G, 2G
			94021-06070-0S	NUT, CAP, 6MM		2		U
		25	94050-05080	NUT, FLANGE, 5MM	6	6		
		26	94050-06080	NUT, FLANGE, 6MM	2	2		



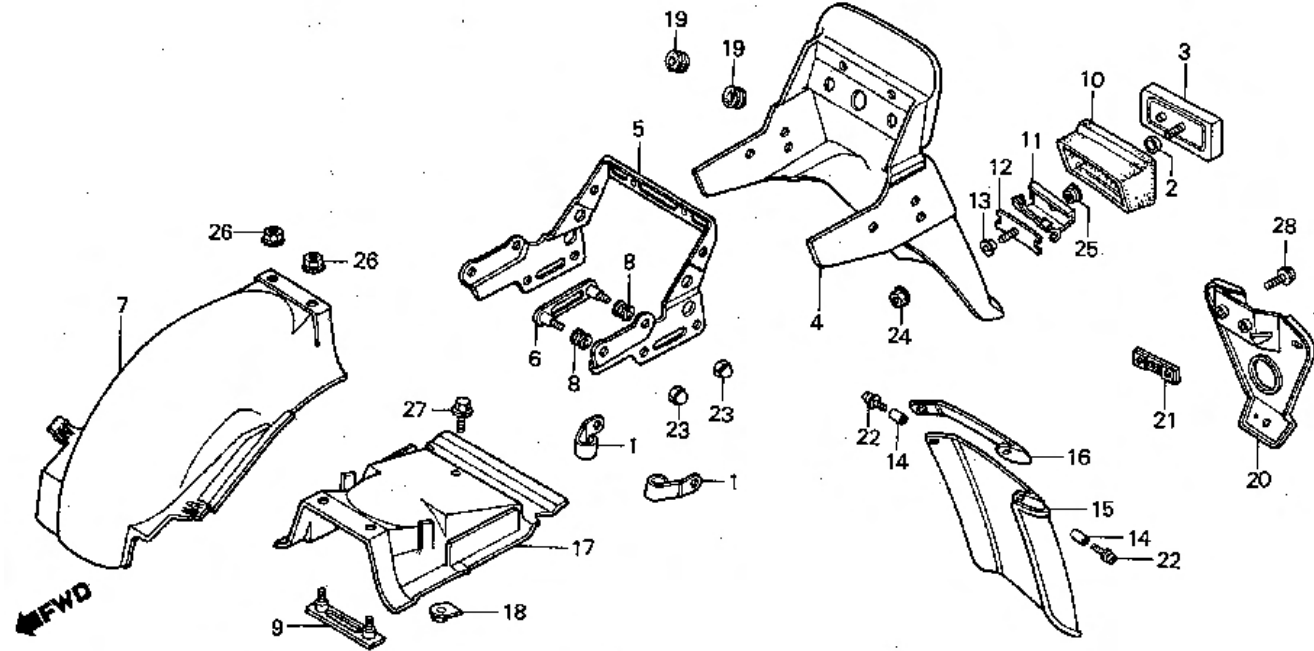
# F-25

Rear cushion

Amortisseur arrière

Hinterer Stoßdämpfer

Amortiguador trasero



BMC5-25

Service item	F.R.T.	Ref. No.	Part No.	Description	Reqd. No. CX 400 500	Serial No.	Area code
		27	95700-06012-08	BOLT, FLANGE, 6X12	1		
		28	95700-06016-00	BOLT, FLANGE, 6X16	2		U

**J 10**

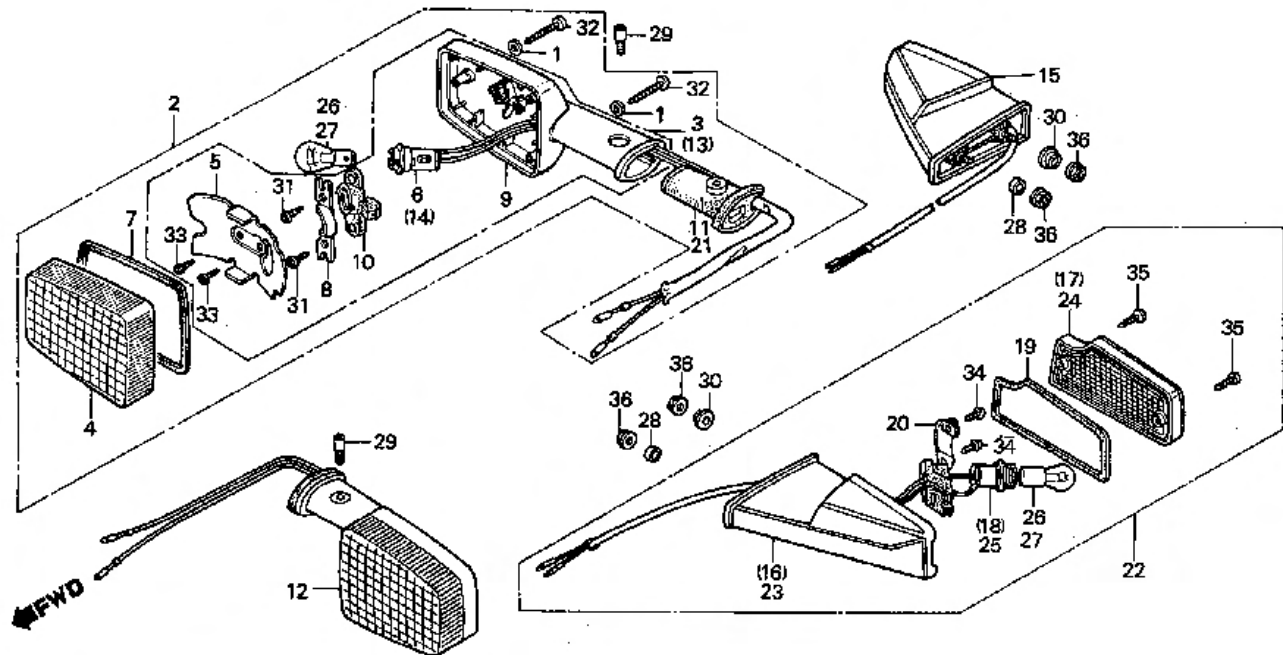
**F-26**

Winker

Clignotant

Blinker

Luz intermitente



BMC5-26

Service item	F.R.T.	Ref. No.	Part No.	Description	Recd. No. CX 400 500	Serial No.	Area code	
WINKER ASSY. (ADD 0.1 FOR EACH) (INC. RELATIVE PART) (EXC. RELATED PARTS BELOW) BULB, WINKER (WHEN SERVICING COMP., UNIT, F.R.T. IS 0.2.)	0.2	1	33318-567-003	WASHER	4	4		
		2	33400-MC5-000	WINKER ASSY., R. FR.	1	1	U	
	0.1			33400-MC5-600	WINKER ASSY., R. FR.	1	1	E,ED,F,IT,SW,1G,2G
				33400-MC5-680	WINKER ASSY., R. FR.	1	1	ND
			3	33401-MC5-600	BASE COMP., R. FR.	1	1	E,ED,F,IT,ND,SW,1G,2G
			4	33402-431-782	LENS, WINKER	2	2	
			5	33403-425-003	REFLECTOR, WINKER	2	2	U
			6	33405-MC5-000	SOCKET COMP., R. FR.	1	1	U
			7	33406-431-781	PACKING, WINKER LENS	2	2	
			8	33407-431-781	HOLDER, SOCKET	2	2	U
	9	33409-445-632	BASE, WINKER	2	2	U		
	10	33411-431-782	RUBBER, SOCKET	2	2	U		

J 11

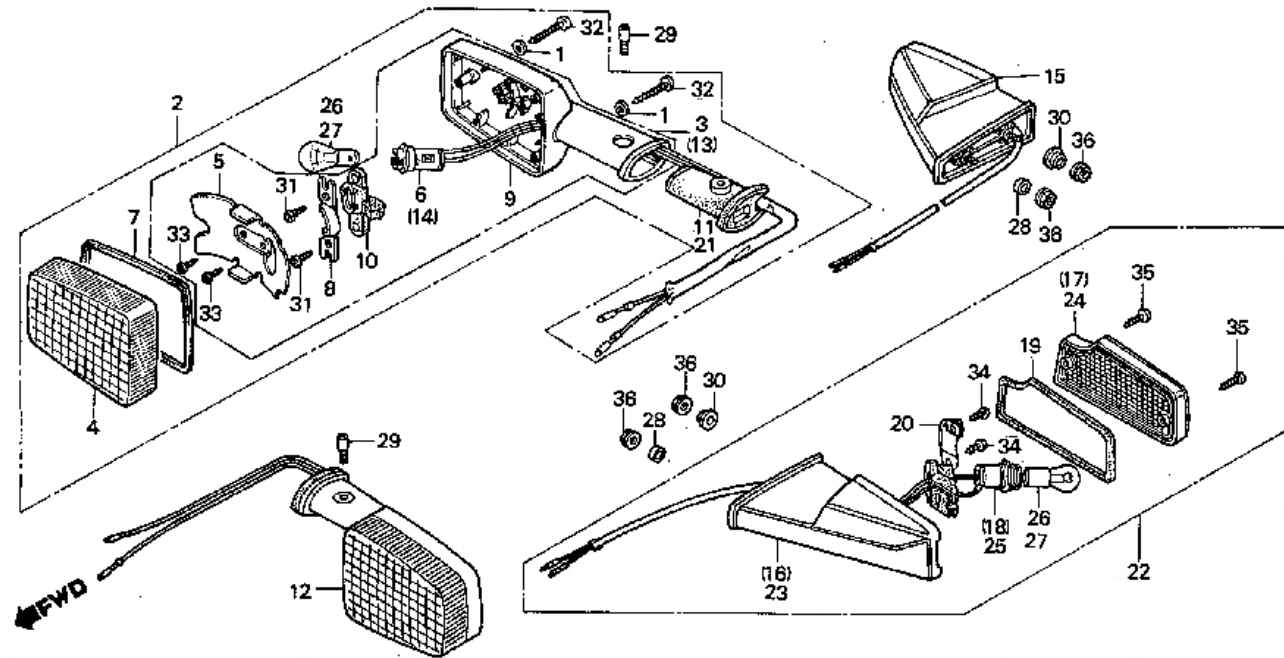
F-26

Winker

Clignotant

Blinker

Luz intermitente



BMC5-26

Service item

F.R.T.

Ref. No.

Part No.

Description

Req. No.  
CX  
400 500

Serial No.

Area code

11	33417-445-631	RUBBER, FR. WINKER MOUNTING	2	2		E, ED, F, IT, SW, U, 1G, 2G
12	33450-MC5-000	WINKER ASSY., L. FR.		1		U
	33450-MC5-600	WINKER ASSY., L. FR.	1	1		E, ED, F, IT, SW, 1G, 2G
	33450-MC5-680	WINKER ASSY., L. FR.		1		ND
13	33451-MC5-600	BASE COMP., L. FR.	1	1		E, ED, F, IT, ND, SW, 1G, 2G
14	33455-MC5-000	SOCKET COMP., L. FR.		1		U
15	33600-MC7-612	WINKER ASSY., R. RR.	1	1		E, ED, F, IT, ND, SW, 1G, 2G
	33600-MC7-651	WINKER ASSY., R. RR.		1		U
16	33601-MC7-611	BASE COMP., R. WINKER	1	1		

**J 12**

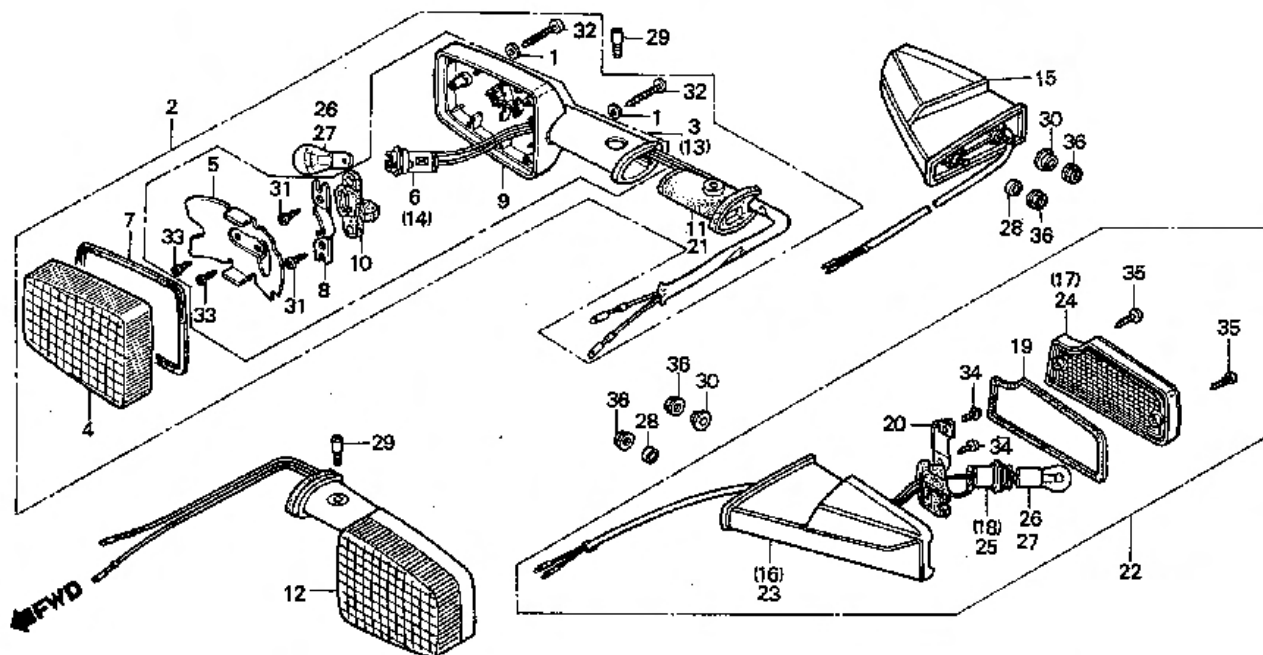
**F-26**

Winker

Clignotant

Blinker

Luz intermitente



BMC5-26

Service item	F.R.T.	Ref. No.	Part No.	Description	Reqd. No.		Serial No.	Area code
					CX	500		
		17	33602-MC7-612	LENS COMP., R. WINKER	1	1		E,ED,F,IT,ND,Sh,1G,2G
			33602-MC7-650	LENS COMP., R. WINKER		1		U
		18	33603-MC7-611	SOCKET COMP., R. WINKER	1	1		
		19	33604-MC7-611	HOLDER, SOCKET	2	2		
		20	33605-MC7-611	HOLDER, SOCKET	2	2		
		21	33609-445-631	RUBBER, RR. WINKER MOUNTING		2		ND
		22	33650-MC7-612	WINKER, L. RR. WINKER	1	1		E,ED,F,IT,ND,Sw,1G,2G
			33650-MC7-651	WINKER, L. RR. WINKER		1		U
		23	33651-MC7-611	BASE COMP., L. WINKER	1	1		
		24	33652-MC7-612	LENS COMP., L. WINKER	1	1		E,ED,F,IT,ND,Sw,1G,2G
			33652-MC7-650	LENS COMP., L. WINKER		1		U

**J 13**

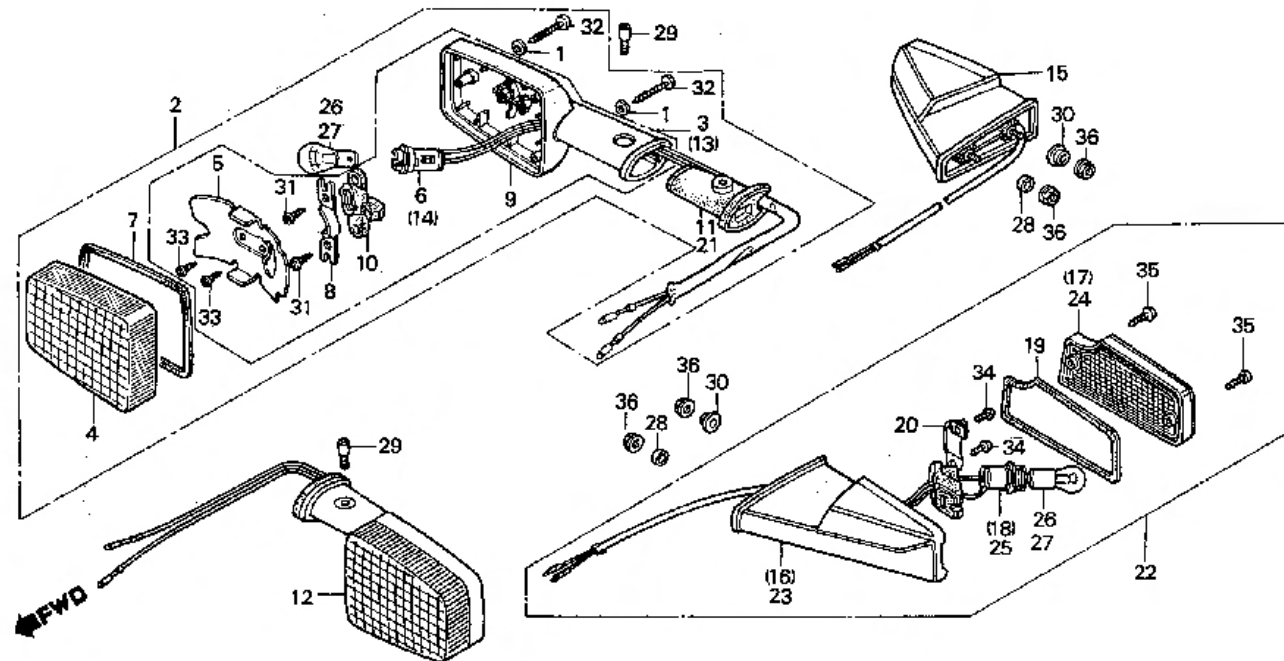
**F-26**

Winker

Clignotant

Blinker

Luz intermitente



BMC5-26

Service item	F.R.T.	Ref. No.	Part No.	Description	Reqd. No. CX 400 500	Serial No.	Area code
		25	33653-MC7-611	SOCKET COMP., L. WINKER	1 1		
		26	34905-268-671	BULB, WINKER (12V23W)	4 4		U
		27	34908-634-611	BULB (12V21W)	4 4		E, ED, F, IT, ND, SW, 1G, 2G
		28	52156-353-300	COLLAR, 6X4	2 2		
		29	90380-445-630	SCREW, OVAL, 5X8	2 2		
		30	90522-170-700	COLLAR, GEARSHIFT LEVER	2 2		
				SETTING			
		31	93901-24120	SCREW, TAPPING, 4X8	4 4		U
		32	93901-24680	SCREW, TAPPING, 4X25	4 4		
		33	93901-32020	SCREW, TAPPING, 3X6	2 2		U
		34	93901-34320	SCREW, TAPPING, 4X12	4 4		
		35	93901-34680	SCREW, TAPPING, 4X25	4 4		
		36	94050-06080	NUT, FLANGE, 6MM	4 4		



**J 14**

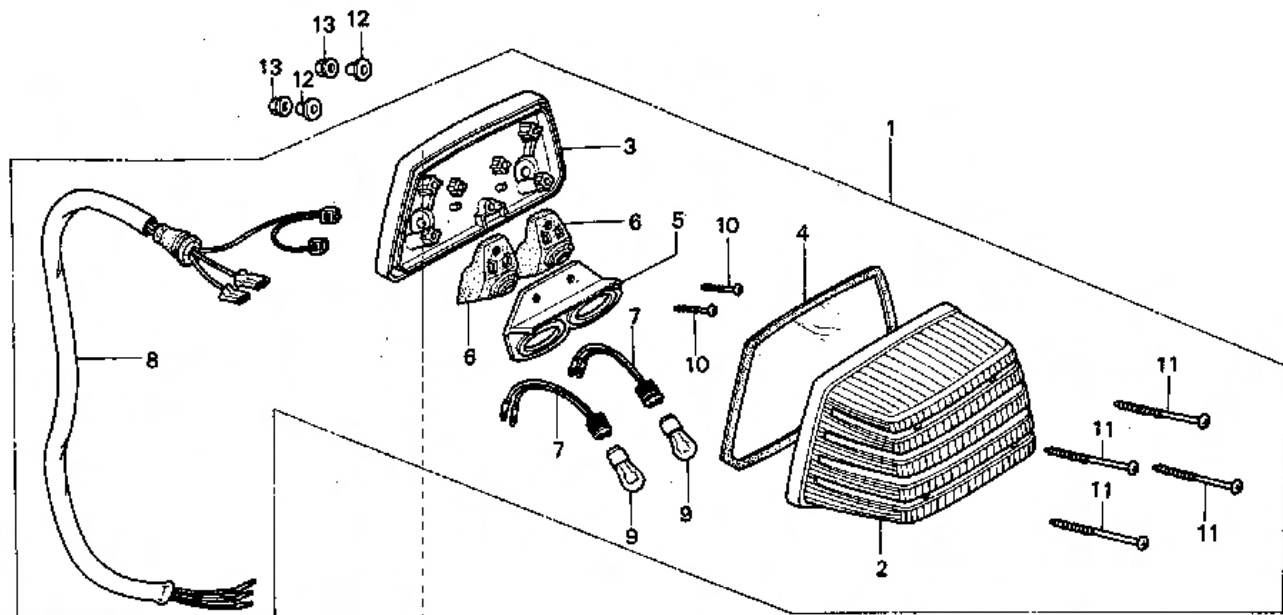
**F-27**

Taillight

Feu arrière

Rücklicht

Luz trasera



BMC7-49

Service item	F.R.T.	Ref. No.	Part No.	Description	Reqd. No. CX 400 500	Serial No.	Area code
BULB, WINKER (ONE OR ALL)	0-1	1	33701-MC7-602	TAILLIGHT UNIT	1 1		E, ED, F, IT, ND, SW
TAILLIGHT UNIT	0-3		33701-MC7-612	TAILLIGHT UNIT	1 1		IG, 2G
SUB CORD COMP.			33701-MC7-651	TAILLIGHT UNIT	1 1		U
BASE COMP., TAILLIGHT	0-4	2	33702-MC7-602	LENS, TAILLIGHT	1 1		E, ED, F, IT, ND, SW
			33702-MC7-612	LENS, TAILLIGHT	1 1		U, IG, 2G
		3	33703-MC7-611	BASE LAMP., TAILLIGHT	1 1		
		4	33704-MC7-611	PACKING, TAILLIGHT LENS	1 1		
		5	33705-MC7-611	REFLECTOR COMP.	1 1		E, ED, F, IT, ND, SW, IG, 2G
			33705-MC7-671	REFLECTOR COMP.	1 1		U
		6	33706-MC7-611	SOCKET COMP.	2 2		
		7	33707-MC7-611	CORD COMP.	2 2		
		8	33708-MC7-611	SUB CORD COMP.	1 1		
		9	34905-425-671	BULB, WINKER	1 1		U
				(12V23/8W STANLEY)			
			34906-447-711	BULB, TAILLIGHT (12V21W/5W)	1 1		E, ED, F, IT, ND, SW, IG, 2G
		10	90104-MC7-611	SCREW, TAPPING, 4X14	2 2		E, ED, F, IT, ND, SW, IG, 2G

**J 15**

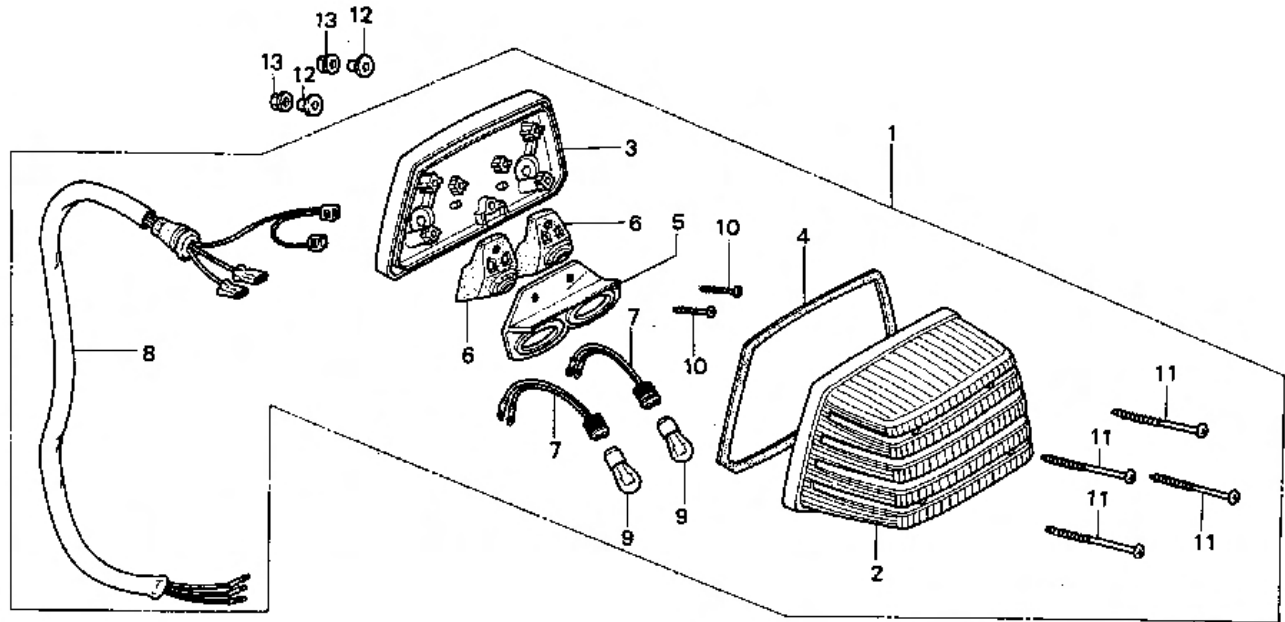
**F-27**

Taillight

Feu arrière

Rücklicht

Luz trasera



BMC7-49

Service item	F.R.T.	Ref. No.	Part No.	Description	Reqd. No. CX 400 500	Serial No.	Area code
		11	90105-GA7-003	SCREW, TAPPING, 4X40	4		U
			90105-KB4-003	SCREW, TAPPING, 4X40	4		E,ED,F,IT,ND,SW,1G,2G
		12	90522-170-700	COLLAR, GEARSHIFT LEVER	2		
				SETTING	2		
		13	94050-06080	NUT, FLANGE, 6MM	2		

**J 16**

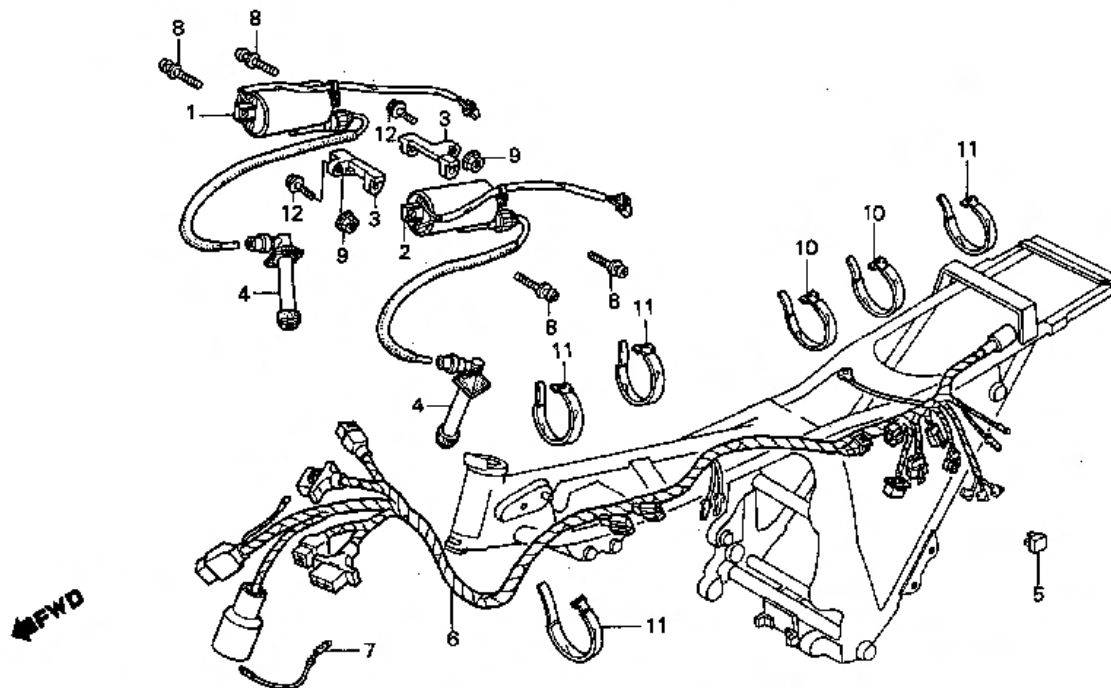
**F-28**

Wire harness • Ignition coil

Faisceau électrique •  
Bobine d'allumage

Kabelbaum • Zündspule

Equipo de alambre •  
Bobina de encendido



BMC5-27

Service item	F.R.T.	Ref. No.	Part No.	Description	Reqd. No.		Serial No.	Area code
					CX	500		
RECTIFIER ASSY., SILICON	0.2	1	30501-MA1-003	COIL ASSY., R. IGNITION (TOYO)	1	1		
COIL ASSY., R. IGNITION	0.3	2	30502-MA1-003	COIL ASSY., L. IGNITION (TOYO)	1	1		
(ADD 0.1 FOR EACH.)		3	30505-MA1-000	STAY, IGNITION COIL	2	2		
HARNESS, SUB WIRE	0.4	4	30700-MC5-153	CAP ASSY., PLUG	2	2		
HARNESS, WIRE	1.2	5	31700-124-003	RECTIFIER ASSY., SILICON	1	1		
				(STANLEY)				
			31700-124-008	RECTIFIER ASSY., SILICON	1	1		
				(SHINDENGEN)				
		6	32100-MC5-000	HARNESS, WIRE	1	1		
		7	32101-MC5-000	SUB HARNESS	1	1		
		8	93891-05025-08	SCREW-WASHER, 5X25	4	4		
		9	94050-06080	NUT, FLANGE, 6MM	2	2		
		10	95014-61100	BAND A1, WIRE	2	2		
		11	95014-61200	BAND A2, WIRE	4	4		
		12	95725-06025-08	BOLT, FLANGE, 6X25	2	2		



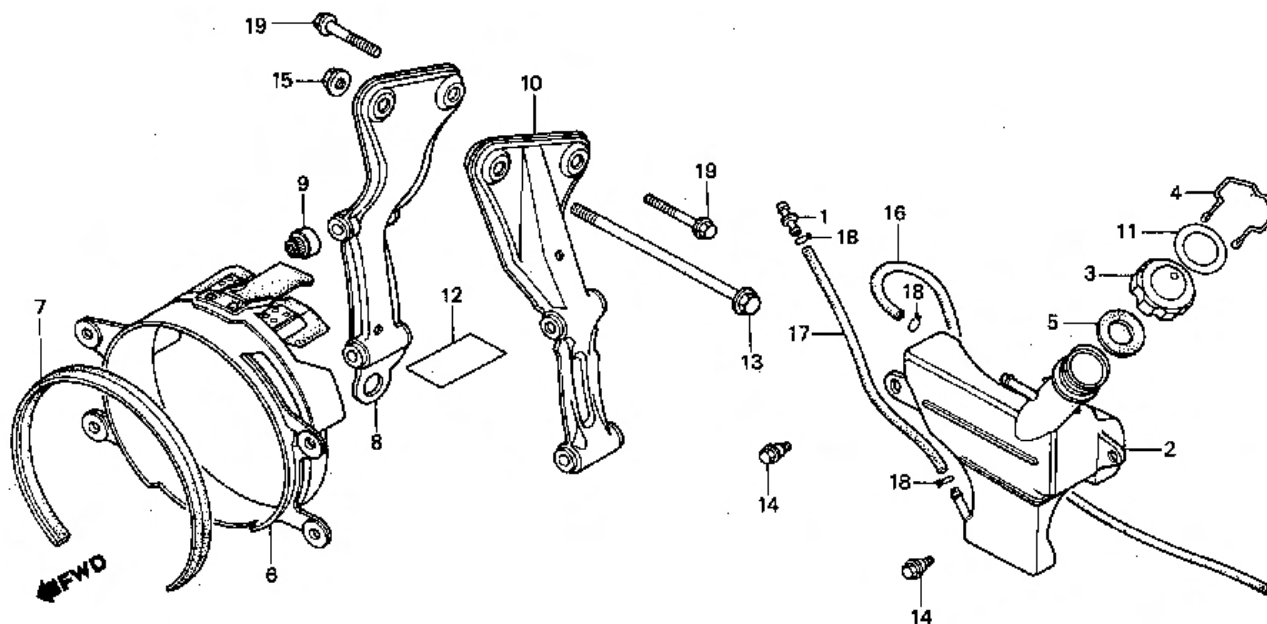
# F-29

Radiator shroud • Reserve tank

Buse de radiateur • Réservoir

Kühlerhaube • Reservetank

Pestana de radiador •  
Depósito de reserva



BMC5-28

Service item	F.R.T.	Ref. No.	Part No.	Description	Reqd. No. CX 400 500	Serial No.	Area code
SHROUD COMP., RADIATOR	0.6	1	17359-419-670	JOINT, BREATHER TUBE	1 1		
PLATE, R. FR. ENGINE HANGER (ADD 0.1 FOR EACH.)	0.8	2	19103-MA1-000	TANK, RESERVE	1 1		
TANK, RESERVE	1.2	3	19104-415-000	CAP, RESERVE TANK	1 1		
		4	19105-415-000	WIRE, CAP LOCK	1 1		
		5	19106-415-000	PACKING, RESERVE TANK	1 1		
		6	19113-415-010	SHROUD COMP., RADIATOR	1 1		
		7	19114-415-000	PACKING, RADIATOR SHROUD	1 1		
		8	50310-MC5-000	PLATE, R. FR. ENGINE HANGER	1 1		
		9	50311-MA1-730	CAP, FR. ENGINE HANGER	2 2		
		10	50320-MC5-000	PLATE, L. FR. ENGINE HANGER	1 1		
		11	87507-415-620	LABEL, RESERVE TANK (FRENCH)	1 1		F
			87507-415-670	LABEL, RESERVE TANK	1		E, ED, IT, ND, SW, U, 1G, 2G

**K 2**

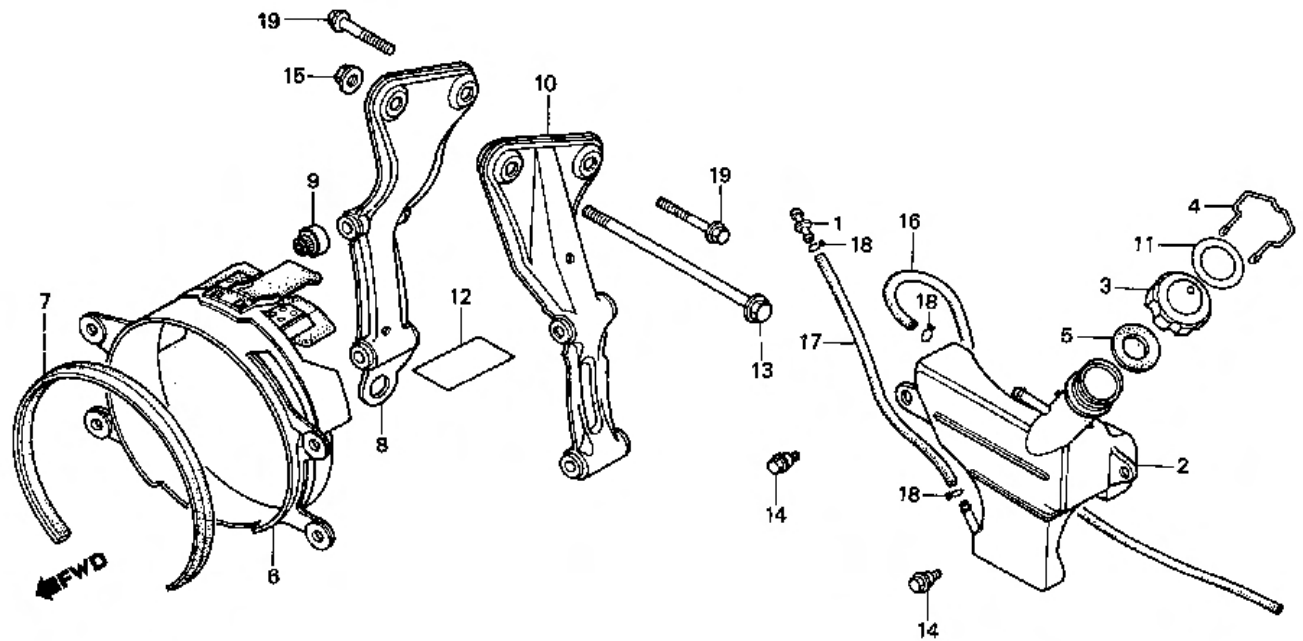
**F-29**

Radiator shroud • Reserve tank

Buse de radiateur • Réservoir

Kühlerhaube • Reservetank

Pestana de radiador •  
Depósito de reserva



BMC5-28

Service item

F.R.T.

Ref. No.

Part No.

Description

Reqd. No.  
Cx  
400 500

Serial No.

Area code

12	87508-MA1-750	LABEL, RADIATOR CAUTION (FRENCH)	1	1	F
	87508-MA1-770	MARK, RADIATOR CAUTION		1	E, ED, IT, ND, SW, U, 1G, 2G
13	90111-MA1-000	BOLT, FLANGE, 12X225	1	1	
14	90111-162-000	BOLT, FLANGE, 6MM	2	2	
15	94050-12000	NUT, FLANGE, 12MM	1	1	
16	95001-75500-40	TUBE, FUEL, 7.3X500	1	1	
17	95001-75550-40	TUBE, FUEL, 7.5X550	1	1	
18	95002-02120	CLIP 812, TUBE	3	3	
19	95600-10040-00	BOLT, FLANGE, 10X40	2	2	

**K 3**

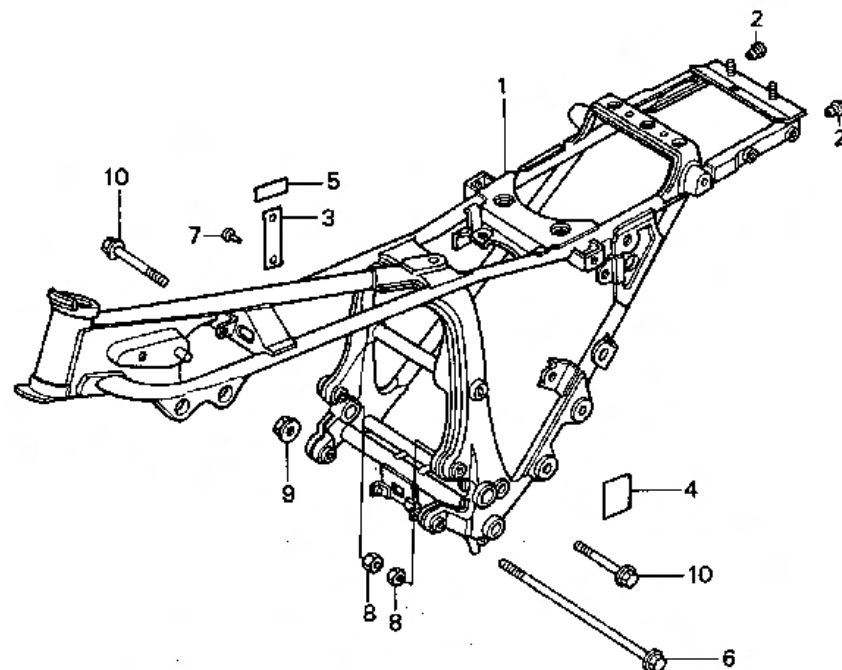
**F-30**

Frame body

Cadre

Rahmen

Cuerpo de cuadro



BMC5-29

Service item	F.R.T.	Ref. No.	Part No.	Description	Reqd. No.		Serial No.	Area code	
					CX	500			
BODY COMP., FRAME	*8.0	1	50100-MC5-000ZA	BODY COMP., FRAME *NH-1*	1	1		E, ED, F, IT, SW	
			50100-MC5-610ZA	BODY COMP., FRAME *NH-1*		1			ND, 1G, 2G
			50100-MC5-710ZA	BODY COMP., FRAME *NH-1*		1			U
		2	77200-MA1-730	RUBBER B, SEAT SETTING		2	2		
		3	87501-KC8-620	PLATE, REGISTERED NUMBER		1			
			87501-MC5-610	PLATE, REGISTERED NUMBER		1			E, ED, F, IT, ND, SW, 1G, 2G
		4	87508-MA1-750	LABEL, RADIATOR CAUTION (FRENCH)		1	1		F
			87508-MA1-770	MARK, RADIATOR CAUTION		1			E, ED, IT, ND, SW, U, 1G, 2G
		5	87518-MA1-670	LABEL, RR. CUSHION CAUTION		1			E, ED, IT, ND, SW, U, 1G, 2G
			87518-MA1-720	LABEL, RR. CUSHION CAUTION (FRENCH)		1	1		F
		6	90110-415-000	BOLT, FLANGE, 12X308		1	1		
		7	90841-001-000	SCREW, RIVET, 1.5X5		2	2		E, ED, F, IT, ND, SW, 1G, 2G
		8	94030-10000	NUT, HEX., 10MM		2	2		

**K 4**

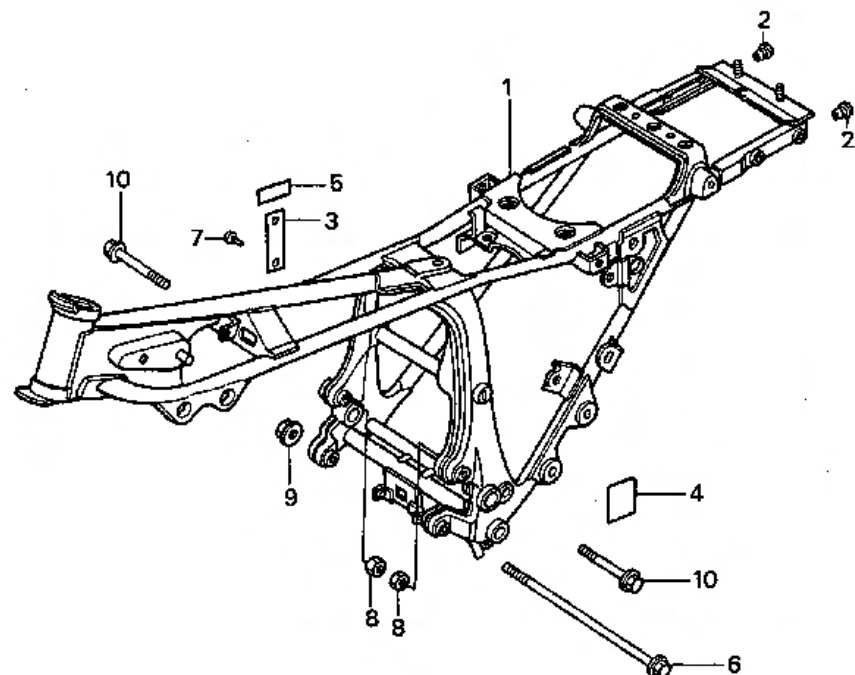
**F-30**

Frame body

Cadre

Rahmen

Cuerpo de cuadro



BMC5-29

Service item	F.R.T.	Ref. No.	Part No.	Description	Reqd. No. CX 400 500	Serial No.	Area code
		9	94050-12000	NUT, FLANGE, 12MM	1 1		
		10	95800-10070-00	BOLT, FLANGE, 10X70	2 2		

**K 5**

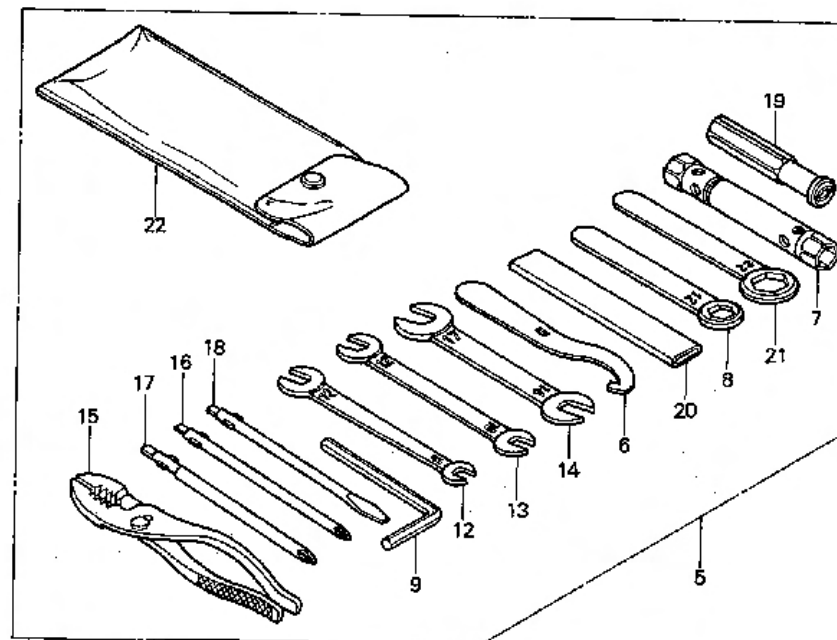
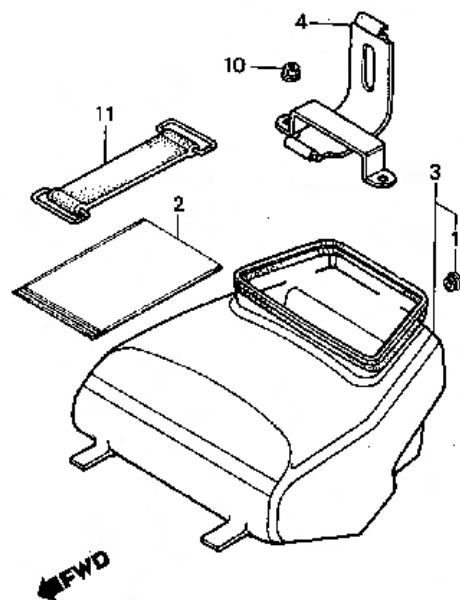
**F-31**

Tool

Outils

Werkzeug

Herramientas



BMC5-30

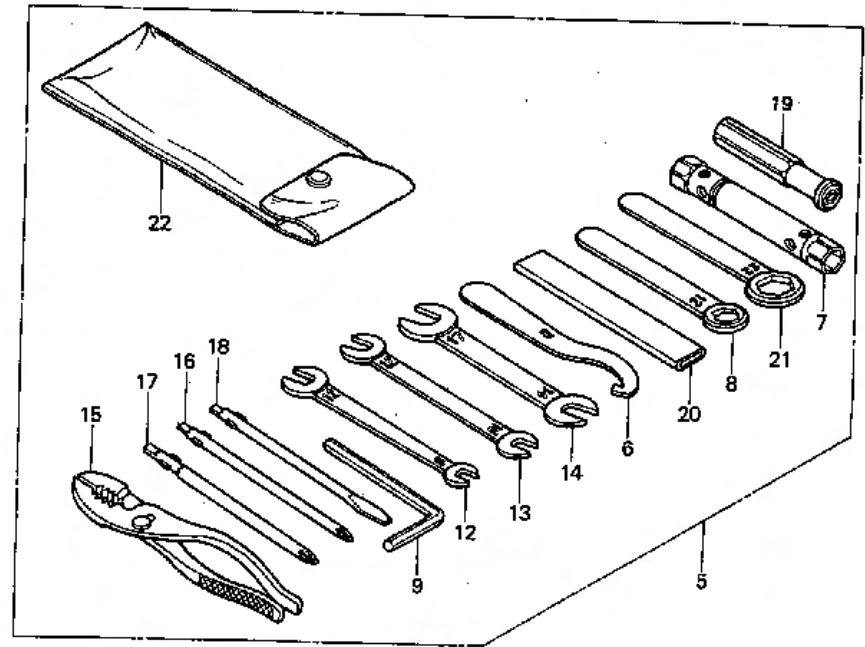
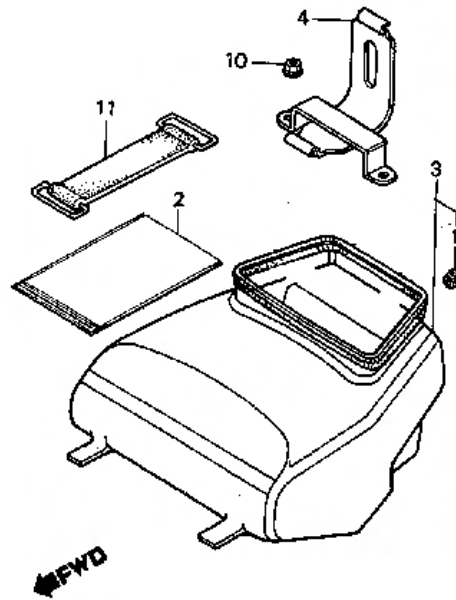
Service item	F.R.T.	Ref. No.	Part No.	Description	Reqd. No. CX 400 500	Serial No.	Area code
BOX, TOOL	0.2	1	32170-647-000	GROMMET, WINDOW DEFRUSTER	1 1		
PLATE	0.1	2	77251-342-000	BAG, SERVICES BOOK	1 1		
		3	83500-MC5-000	BOX, TOOL	1 1		
		4	83502-MC5-000	PLATE	1 1		
		5	89010-MC5-000	TOOL SET	1 1		
		6	89215-404-670	SPANNER, PIN	1 1		
		7	89216-415-000	WRENCH, BOX, 18.5X17	1 1		
		8	89217-415-000	WRENCH, EYE, 12MM	1 1		
		9	89221-371-000	WRENCH, HEX., 6MM	1 1		
		10	90282-329-000	NUT, 8X15	2 2		
		11	95012-11000	BAND A, BATTERY	1 1		
		12	99001-08120	SPANNER, 8X12	1 1		
		13	99001-10120	SPANNER, 10X12	1 1		
		14	99001-14170	SPANNER, 14X17	1 1		





F-31

Tool  
 Outils  
 Werkzeug  
 Herramientas



BMC5-30

Service item	F.R.T.	Ref. No.	Part No.	Description	Reqd. No. Cx 400 500	Serial No.	Area code
		15	99002-13500	PLIERS, 135	1 1		
		16	99003-10000	DRIVER 2, PLUS SCREW	1 1		
		17	99003-20000	DRIVER 3, PLUS SCREW	1 1		
		18	99003-30000	DRIVER 2, MINUS SCREW	1 1		
		19	99003-50000	GRIP	1 1		
		20	99006-12000	HANDLE, EYE WRENCH, 120MM	1 1		
		21	99006-22000	WRENCH, EYE, 22MM	1 1		
		22	99008-02000	BAG, TOOL, 200MM	1 1		



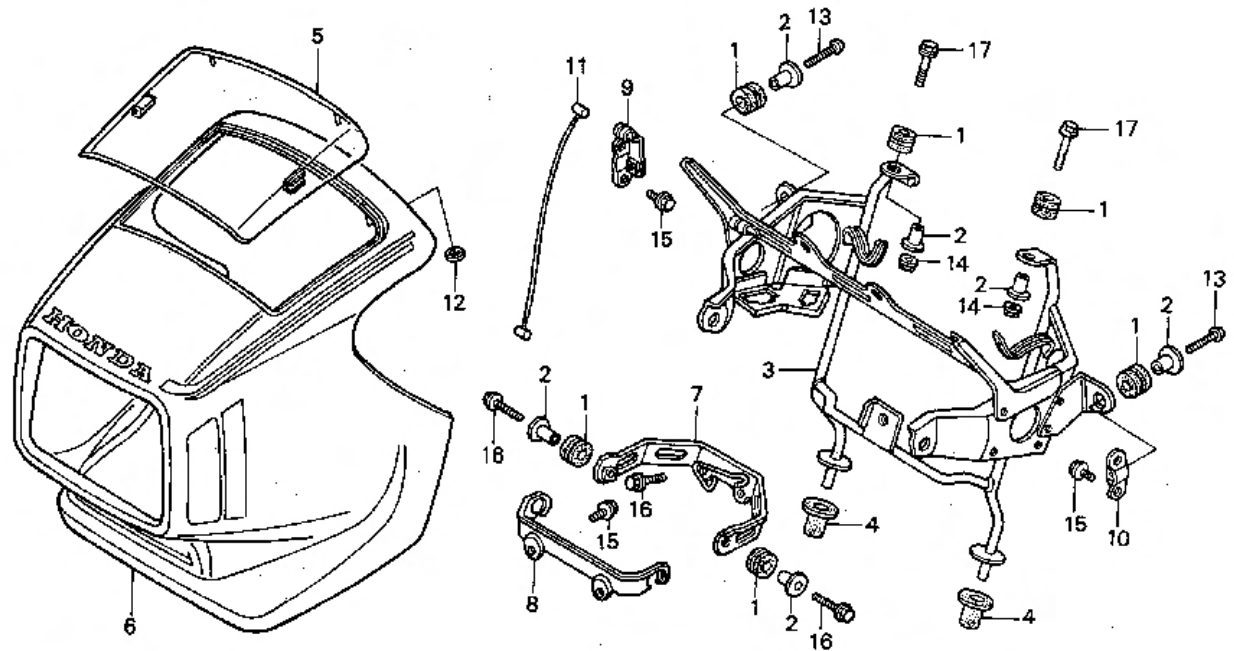
**F-32**

**Headlight cover**

**Phare supérieur**

**Scheinwerferdeckel**

**Faro delantero superior**



BMC5-31

Service item	F.R.T.	Ref. No.	Part No.	Description	Reqd. No. CX 400 500	Serial No.	Area code
COVER, METER	0.2	1	17245-107-010	RUBBER, AIR CLEANER CASE MOUNTING	6 6		
COVER COMP., HEADLIGHT	0.3	2	61104-422-000	COLLAR, SETTING	6 6		
BRACKET COMP., HEADLIGHT CASE	0.6	3	61311-MC5-000	BRACKET COMP., HEADLIGHT CASE	1 1		
		4	61313-422-000	GROMMET B, HEADLIGHT	2 2		
		5	64100-MC5-610	COVER, METER	1 1		
		6	64200-MC5-610ZA	COVER COMP., HEADLIGHT *NH-1*	1 1		
			64200-MC5-610ZB	COVER, HEADLIGHT *NH-121P-A*	1 1		
			64200-MC5-610ZC	COVER COMP., HEADLIGHT *R-110*	1 1		
		7	64510-MC5-000	STAY A, HEADLIGHT COVER	1 1		
		8	64511-MC5-000	STAY B, HEADLIGHT COVER	1 1		
		9	64512-MC5-000	STAY C, R. HEADLIGHT COVER	1 1		

**K 8**

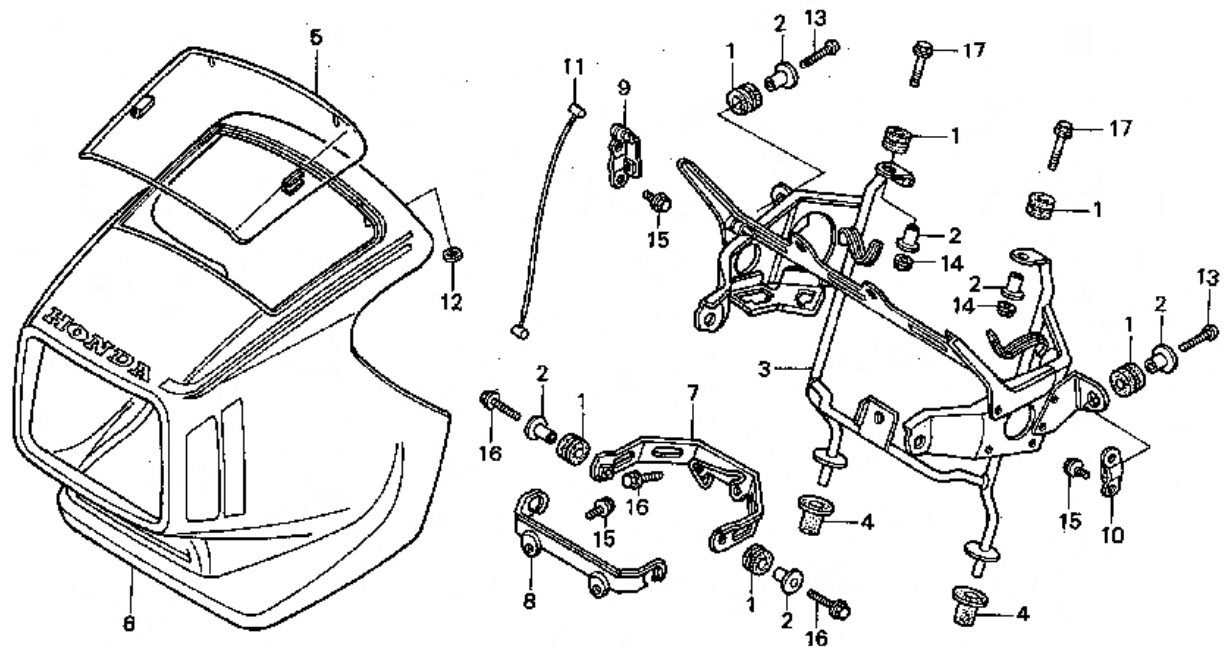
**F-32**

Headlight cover

Phare supérieur

Scheinwerferdeckel

Faro delantero superior



BMC5-31

Service item	F.R.T.	Ref. No.	Part No.	Description	Reqd. No.		Serial No.	Area code
					Cx	500		
		10	64513-MC5-000	STAY C, L. HEADLIGHT COVER	1	1		
		11	81219-GC2-610	CABLE, STOPPER	1	1		
		12	90313-329-000	NUT B, PUSH, 3MM	4	4		
		13	93500-06025-06	SCREW, PAN, 6X25	2	2		
		14	94050-06080	NUT, FLANGE, 6MM	2	2		
		15	95700-06010-07	BOLT, FLANGE, 6X10	6	6		
		16	95700-06020-07	BOLT, FLANGE, 6X20	4	4		
		17	95700-06032-07	BOLT, FLANGE, 6X32	2	2		



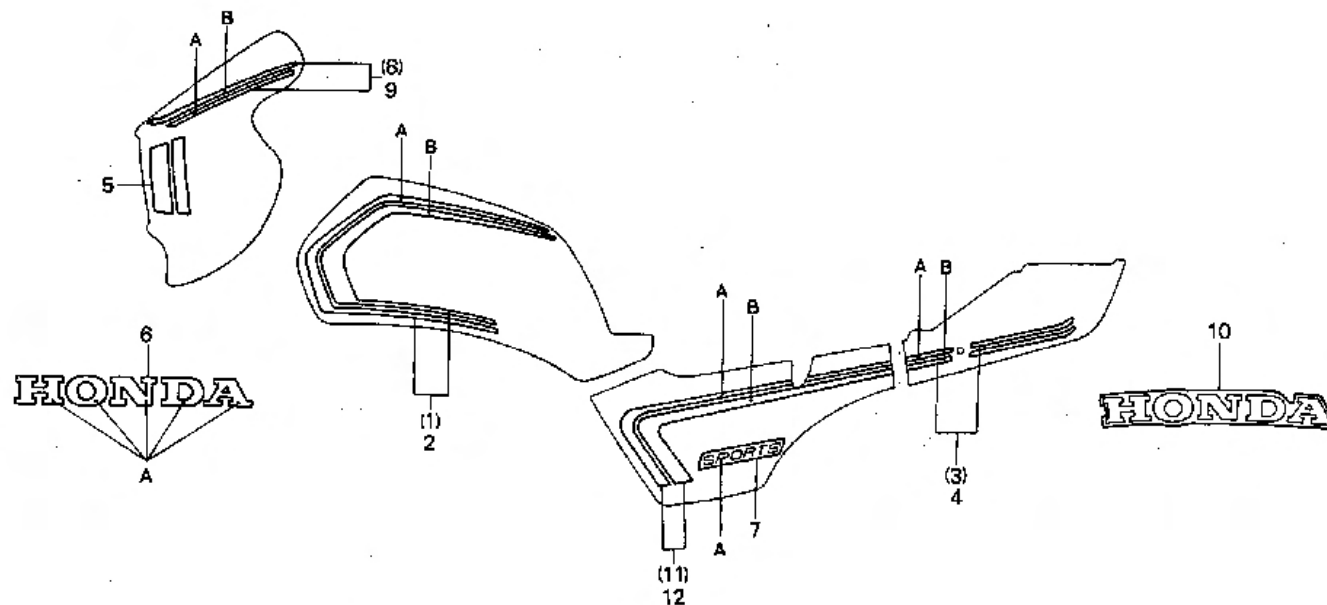
F-33

Color chart

Table de couleur

Farbentabelle

Tabla de color



BMC5-32

Service item

F.R.T.

Ref. No.

Part No.

Description

Reqd. No.  
CX  
400 500

Serial No.

Area code

1	87111-MC5-300ZA	STRIPE, R. FUEL TANK *TYPE 1*	1	1
	87111-MC5-300ZB	STRIPE, R. FUEL TANK *TYPE 2*	1	1
	87111-MC5-300ZC	STRIPE, R. FUEL TANK *TYPE 3*	1	1
2	87112-MC5-300ZA	STRIPE, L. FUEL TANK *TYPE 1*	1	1
	87112-MC5-300ZB	STRIPE, L. FUEL TANK *TYPE 2*	1	1
	87112-MC5-300ZC	STRIPE, L. FUEL TANK *TYPE 3*	1	1
3	87113-MC5-300ZA	STRIPE, R. RR. COWL *TYPE 1*	1	1
	87113-MC5-300ZB	STRIPE, R. RR. COWL *TYPE 2*	1	1
	87113-MC5-300ZC	STRIPE, R. RR. COWL *TYPE 3*	1	1
4	87114-MC5-300ZA	STRIPE, L. RR. COWL *TYPE 1*	1	1

Color chart for headlight cover, fuel tank, side cover and Rear cowl stripes and side cover mark

Type of stripe	Fuel tank main color	Position	
		A	B
TYPE 1	Black	Orange	Silver metallic-U
TYPE 2	Pearl shell white	Red	Blue
TYPE 3	MANZA RED	Pearl shell white	Blue

**K 10**

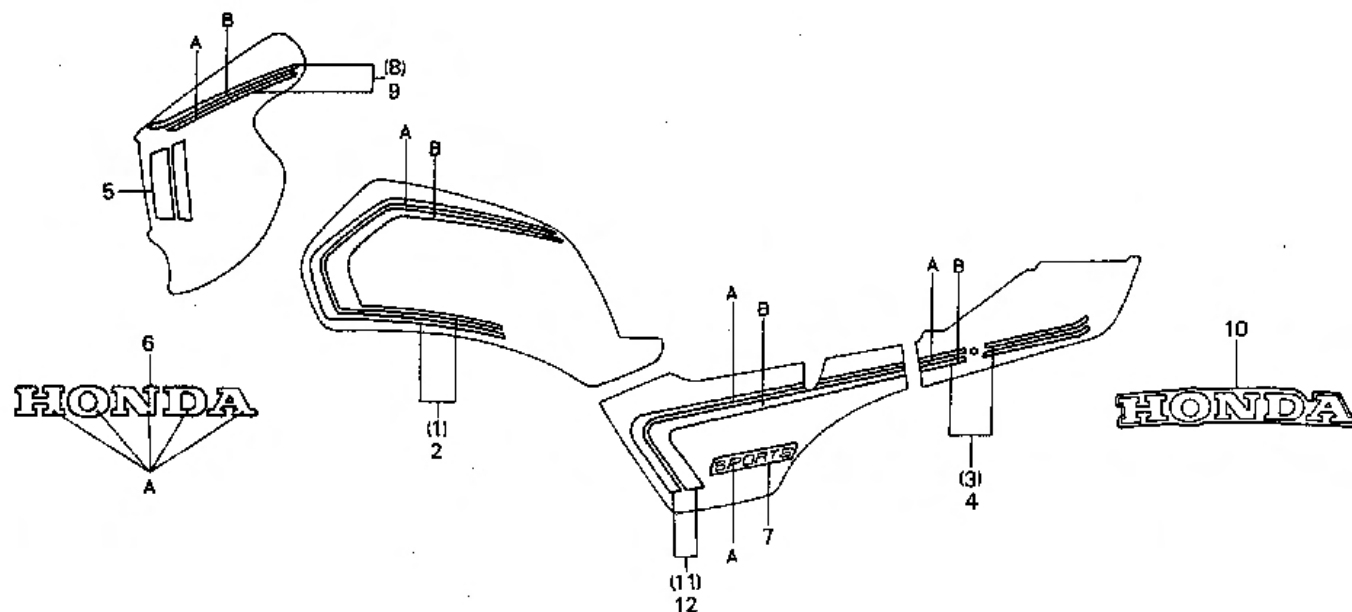
**F-33**

Color chart

Table de couleur

Farbentabelle

Tabla de color



BMC5-32

Service item	F.R.T.	Ref. No.	Part No.	Description	Reqd. No. CX 400 600	Serial No.	Area code
--------------	--------	----------	----------	-------------	----------------------------	------------	-----------

			87114-MC5-3002B	STRIPE, L. RR. COWL *TYPE 2*	1	1	
			87114-MC5-3002C	STRIPE, L. RR. COWL *TYPE 3*	1	1	
5			87115-MC5-300	STRIPE A. HEADLIGHT COVER	2	2	
6			87116-MC5-300ZA	MARK, HEADLIGHT COVER *TYPE 1*	1	1	
			87116-MC5-300ZB	MARK, HEADLIGHT COVER *TYPE 2*	1	1	
			87116-MC5-300ZC	MARK, HEADLIGHT COVER *TYPE 3*	1	1	
7			87117-MC5-610ZA	MARK, SIDE COVER *TYPE 1*	1	1	
			87117-MC5-610ZB	MARK, SIDE COVER *TYPE 2*	1	1	
			87117-MC5-610ZC	MARK, SIDE COVER *TYPE 3*	1	1	
8			87118-MC5-300ZA	STRIPE, R. HEADLIGHT COVER *TYPE 1*	1	1	

Color chart for headlight cover mark

Type of stripe	Fuel tank main color	Position
		A
TYPE 1	BLACK	Silver metallic-U
TYPE 2	PEARL SHELL WHITE	Blue
TYPE 3	MANZA RED	Blue

**K 11**

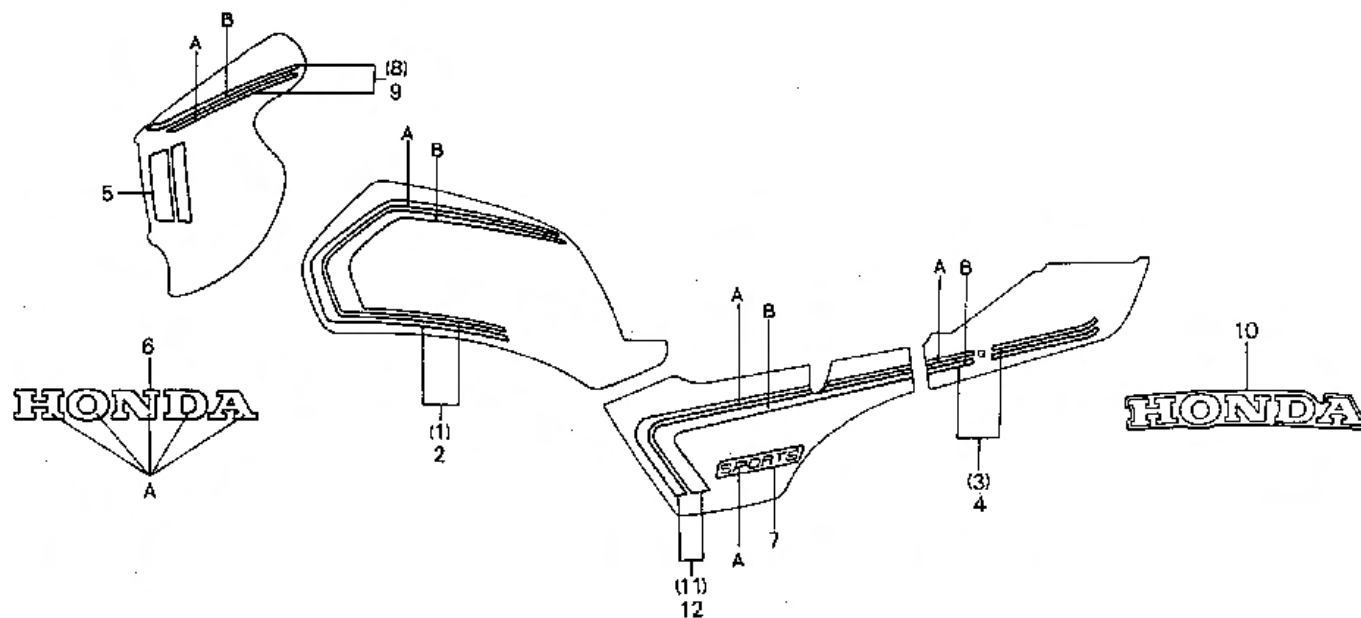
**F-33**

Color chart

Table de couleur

Farbentabelle

Tabla de color



BMC5-32

Service item	F.R.T.	Ref. No.	Part No.	Description	Reqd. No. CX 400 500	Serial No.	Area code
			87118-MC5-3002B	STRIPE, R. HEADLIGHT COVER	1 1		
				*TYPE 2*			
			87118-MC5-3002C	STRIPE, R. HEADLIGHT COVER	1 1		
				*TYPE 3*			
		9	87119-MC5-3002A	STRIPE, L. HEADLIGHT COVER	1 1		
				*TYPE 1*			
			87119-MC5-3002B	STRIPE, L. HEADLIGHT COVER	1 1		
				*TYPE 2*			
			87119-MC5-3002C	STRIPE, L. HEADLIGHT COVER	1 1		
				*TYPE 3*			
		10	87125-MC7-300	MARK, RR. COWL (A.M.)	1 1		
			87128-MC5-3002A	STRIPE, R. SIDE COVER	*TYPE 1*	1 1	
			87128-MC5-3002B	STRIPE, R. SIDE COVER	*TYPE 2*	1 1	
			87128-MC5-3002C	STRIPE, R. SIDE COVER	*TYPE 3*	1 1	
		12	87129-MC5-3002A	STRIPE, L. SIDE COVER	*TYPE 1*	1 1	

**K 12**

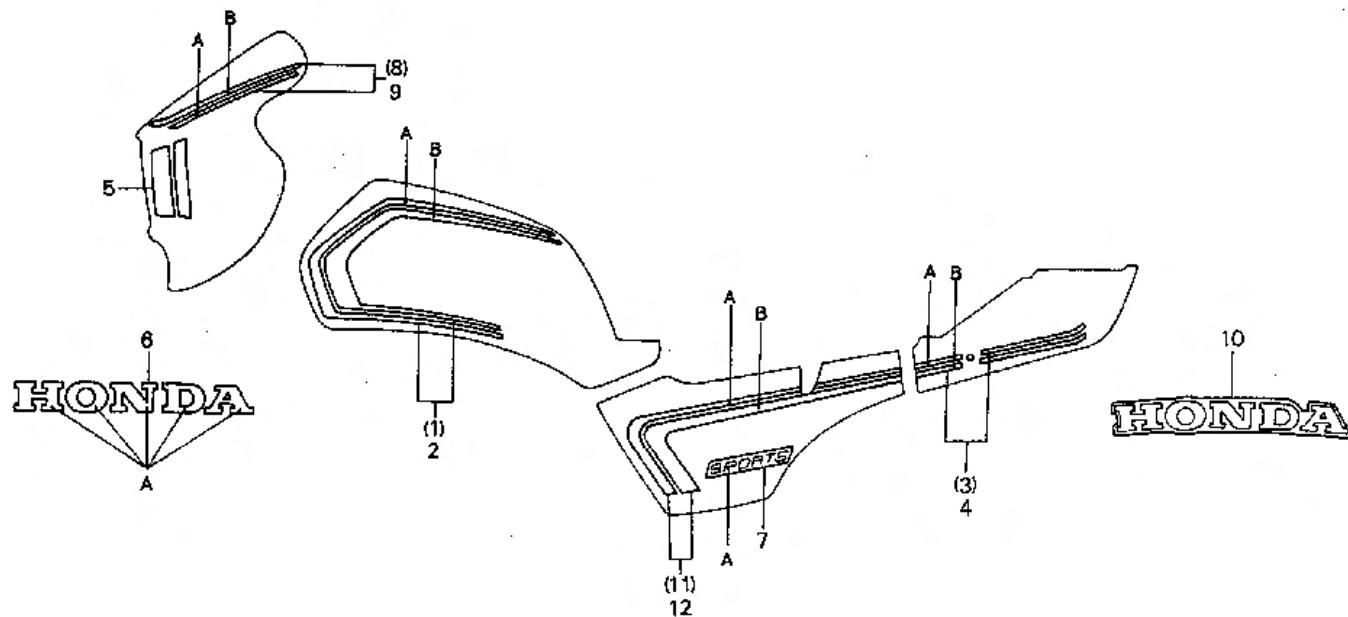
**F-33**

Color chart

Table de couleur

Farbentabelle

Tabla de color



BMC5-32

Service item

F.R.T.

Ref. No.

Part No.

Description

Reqd. No.  
Cx  
400 500

Serial No.

Area code

87129-MC5-300Z8	STRIPE, L. SIDE COVER *TYPE 2*	1	1
87129-MC5-300ZC	STRIPE, L. SIDE COVER *TYPE 3*	1	1

Part No.	Address No.	N° de pièce	N° de Adresse	Teile-Nr	Adresse-Nr.	No. de pieza	No. de direccion
13000		15412-413-005		C14 17255-356-000		C9 19115-415-000	
13011-415-003	D14	15414-300-000	C14	17256-358-000	16	19119-449-000	C2
13011-415-004	014	15415-413-000	C14	17335-415-670	16	19215-415-010	C2
13021-415-003	014	15420-415-000	C14	17336-MA1-000	16	19217-657-023	04
13021-415-004	014	15650-449-000	D12	17337-323-300	16	19221-415-000	04
13031-415-003	014	16000		17359-419-670	16	19300-611-005	C4
13031-415-004	014				16	19315-MA1-000	C4
13101-415-000	014	16010-MA1-601	E5	17369-419-670	16	19411-415-000	C4
13102-415-000	014	16010-413-901	E5	17370-419-700	17	19414-415-000	C4
13103-415-000	014	16012-KC8-004	E5	175A1-MC5-000ZA	H10	19418-415-010	C4
13104-415-000	014	16012-MA1-601	E5	175A1-MC5-000ZB	H10	19421-415-000	C4
13105-415-000	014	16013-413-851	E5	175A1-MC5-000ZC	H10	19501-MA1-000	C4
13106-415-000	014	16015-413-004	E5	17512-MC5-000	H10	19502-415-000	C4
13111-415-000	014	16016-402-004	E5	17551-MA1-000	17	19503-415-000	C4
13204-415-010	D14	16016-402-004	E5	17552-MA1-000	17	19504-415-000	C4
13205-634-010	D15	16019-MA1-601	E5	17611-286-000	H10	19512-449-000	C4
13210-415-010	D15	16022-470-671	E5	17613-MA1-000	H11	19515-449-000	C4
13216-415-013	D15	16028-425-671	E5	17620-MC5-610	H11	19521-415-000	C4
13217-415-013	D15	16029-413-004	E5	17620-460-027	H11	19530-MA1-000	C9
13218-415-013	D15	16037-425-671	E5	17910-MC5-000	F8	24651-333-000	E3
13219-415-013	D15	16044-425-771	E5	17920-MC5-000	F8	24652-259-000	E3
13220-415-003	D15	16048-429-771	E5	17950-MC5-000	F8	24700-MC5-000	I11
13300-MA1-000	D12	16050-415-003	E5	17963-422-000	F8	24781-449-000	I11
13325-415-305	D12	16050-443-701	E5	17964-MA2-000	F8		
13326-415-305	D12	16051-413-004	E5				
13327-415-305	D7	16080-471-831	H10	18000			
13331-357-000	D7	16081-471-831	H10				
14100-MA1-000	C14	16100-KC8-004	E6	18231-415-000	18	22100-KC8-000	C16
14321-415-000	C14	16100-MA1-601	E6	18291-286-000	18	22100-MA1-000	C16
14322-415-000	E9	16100-MA1-611	E6			22116-MA1-000	C16
14401-MA1-003	C15	16100-MA1-651	E6			22120-390-000	C16
14410-415-000	E9	16100-MA1-651	E6	18292-415-000	18	22201-286-010	C16
14420-MA1-000	D7	16101-MA1-651	E6	18310-MC5-003	18	22201-415-000	C16
14430-MA1-000	E9	16102-KC8-004	E6	18315-MC5-003	18	22202-390-000	C16
14441-415-010	D4	16102-MA1-601	E6	18318-MC5-003	18	22321-329-000	C16
14442-415-010	E9	16102-MA1-611	E6	18320-415-003	18	22322-390-000	C16
14450-415-010		16102-MA1-611	E6	18320-415-610	18	22350-390-000	C16
14451-415-000		16102-MA1-651	E6	18320-415-780	18	22361-415-000	C16
14453-415-000		16102-MA1-651	E6	18330-MC5-003	18	22401-415-000	C16
14500-MC7-000	C7	16102-MA1-651	E6	18373-415-000	18	22811-449-000	C14
14511-MC7-000	C11	16104-MA1-671	E6	18374-MA1-003	18	22815-413-000	C14
14515-428-000	E8	16104-MA1-671	E6	18375-413-000	18	22847-415-000	C14
14538-MC7-000	C9	16105-413-751	E6	18375-413-000	18	22870-MC5-000	F8
14620-MC7-000	C6	16105-413-751	E6	18391-317-000	18	22875-MC7-000	F13
14623-MC7-000	C12	16105-413-751	E6	18392-413-000	19		
14711-415-000	C12	16105-413-751	E6	18392-413-000	19	23000	
14721-415-000	E8	16105-413-751	E6	18392-413-000	19	23121-449-000	D2
14751-415-005	C7	16105-413-751	E6	18392-413-000	19	23122-415-000	D2
14761-415-005	C9	16105-413-751	E6	18392-413-000	19	23123-415-000	D2
14771-551-020	C7	16105-413-751	E6	18392-413-000	19	23124-MA1-000	D2
14775-300-000	C9	16105-413-751	E6	18392-413-000	19	23211-415-010	D16
14781-551-000	C7	16105-413-751	E6	18392-413-000	19	23215-MA1-000	C16
15000		16105-413-751	E6	18392-413-000	19	23219-415-000	D16
15100-MA1-000	C6	16105-413-751	E6	18392-413-000	19	23220-415-000	D16
15115-415-000	E8	16105-413-751	E6	18392-413-000	19	23421-413-000	D16
15116-415-000	C6	16105-413-751	E6	18392-413-000	19	23422-413-000	D16
15117-415-000	C6	16105-413-751	E6	18392-413-000	19	23431-413-000	D16
15118-415-000	C6	16105-413-751	E6	18392-413-000	19	23441-413-000	D16
15119-415-000	C6	16105-413-751	E6	18392-413-000	19	23451-413-000	D16
15120-415-000	C6	16105-413-751	E6	18392-413-000	19	23461-413-000	D16
15121-415-000	C6	16105-413-751	E6	18392-413-000	19	23471-413-000	D16
15122-415-000	C6	16105-413-751	E6	18392-413-000	19	23481-MA1-000	D16
15123-415-000	C6	16105-413-751	E6	18392-413-000	19	23491-415-000	E1
15124-415-000	C6	16105-413-751	E6	18392-413-000	19	23501-449-000	E1
15125-415-000	C6	16105-413-751	E6	18392-413-000	19	23521-415-000	D11
15126-415-000	C6	16105-413-751	E6	18392-413-000	19	23522-415-000	E1
15127-415-000	C6	16105-413-751	E6	18392-413-000	19		
15128-415-000	C6	16105-413-751	E6	18392-413-000	19		
15129-415-000	C6	16105-413-751	E6	18392-413-000	19		
15130-415-000	C6	16105-413-751	E6	18392-413-000	19		
15131-415-000	C6	16105-413-751	E6	18392-413-000	19		
15132-415-000	C6	16105-413-751	E6	18392-413-000	19		
15133-415-000	C6	16105-413-751	E6	18392-413-000	19		
15134-415-000	C6	16105-413-751	E6	18392-413-000	19		
15135-415-000	C6	16105-413-751	E6	18392-413-000	19		
15136-415-000	C6	16105-413-751	E6	18392-413-000	19		
15137-415-000	C6	16105-413-751	E6	18392-413-000	19		
15138-415-000	C6	16105-413-751	E6	18392-413-000	19		
15139-415-000	C6	16105-413-751	E6	18392-413-000	19		
15140-415-000	C6	16105-413-751	E6	18392-413-000	19		
15141-415-000	C6	16105-413-751	E6	18392-413-000	19		
15142-415-000	C6	16105-413-751	E6	18392-413-000	19		
15143-415-000	C6	16105-413-751	E6	18392-413-000	19		
15144-415-000	C6	16105-413-751	E6	18392-413-000	19		
15145-415-000	C6	16105-413-751	E6	18392-413-000	19		
15146-415-000	C6	16105-413-751	E6	18392-413-000	19		
15147-415-000	C6	16105-413-751	E6	18392-413-000	19		
15148-415-000	C6	16105-413-751	E6	18392-413-000	19		
15149-415-000	C6	16105-413-751	E6	18392-413-000	19		
15150-415-000	C6	16105-413-751	E6	18392-413-000	19		
15151-415-000	C6	16105-413-751	E6	18392-413-000	19		
15152-415-000	C6	16105-413-751	E6	18392-413-000	19		
15153-415-000	C6	16105-413-751	E6	18392-413-000	19		
15154-415-000	C6	16105-413-751	E6	18392-413-000	19		
15155-415-000	C6	16105-413-751	E6	18392-413-000	19		
15156-415-000	C6	16105-413-751	E6	18392-413-000	19		
15157-415-000	C6	16105-413-751	E6	18392-413-000	19		
15158-415-000	C6	16105-413-751	E6	18392-413-000	19		
15159-415-000	C6	16105-413-751	E6	18392-413-000	19		
15160-415-000	C6	16105-413-751	E6	18392-413-000	19		
15161-415-000	C6	16105-413-751	E6	18392-413-000	19		
15162-415-000	C6	16105-413-751	E6	18392-413-000	19		
15163-415-000	C6	16105-413-751	E6	18392-413-000	19		
15164-415-000	C6	16105-413-751	E6	18392-413-000	19		
15165-415-000	C6	16105-413-751	E6	18392-413-000	19		
15166-415-000	C6	16105-413-751	E6	18392-413-000	19		
15167-415-000	C6	16105-413-751	E6	18392-413-000	19		
15168-415-000	C6	16105-413-751	E6	18392-413-000	19		
15169-415-000	C6	16105-413-751	E6	18392-413-000	19		
15170-415-000	C6	16105-413-751	E6	18392-413-000	19		
15171-415-000	C6	16105-413-751	E6	18392-413-000	19		
15172-415-000	C6	16105-413-751	E6	18392-413-000	19		
15173-415-000	C6	16105-413-751	E6	18392-413-000	19		
15174-415-000	C6	16105-413-751	E6	18392-413-000	19		
15175-415-000	C6	16105-413-751	E6	18392-413-000	19		
15176-415-000	C6	16105-413-751	E6	18392-413-000	19		
15177-415-000	C6	16105-413-751	E6	18392-413-000	19		
15178-415-000	C6	16105-413-751	E6	18392-413-000	19		
15179-415-000	C6	16105-413-751	E6	18392-413-000	19		











**HONDA**

HONDA MOTOR CO., LTD. TOKYO, JAPAN