

# **1981 GL500I Parts Manual**

The data contained herein was collected from sources on the Internet freely available to the general public.

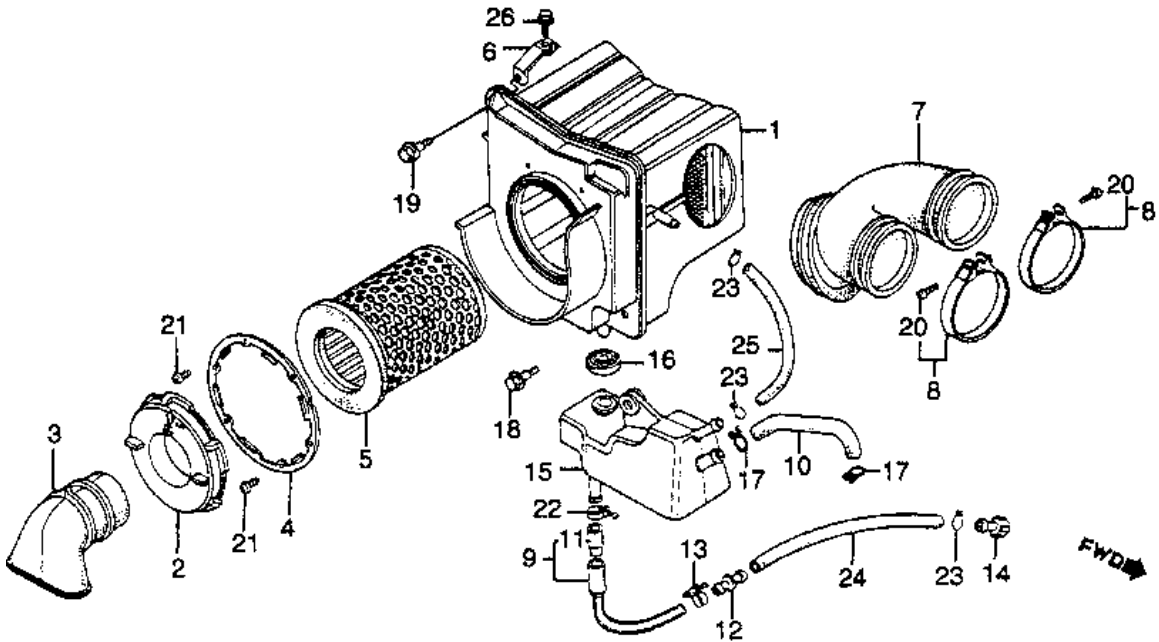
Disclaimer: The information contained herein is believed to be accurate but the user of this data assumes all risk associated with its usage.

## Table of Contents

Air Cleaner.....	4
Alternator & Starter Clutch.....	5
Battery & Sidecovers .....	6
Block, Cylinder.....	7
Brake Calipers.....	9
Brake Lines, Front & Master Cylinder & Lever.....	10
Brake Panel, Rear & Rear Axle .....	11
Camshaft & Tachometer Gear .....	12
Camshaft Chain & Tensioner.....	13
Carburetors.....	14
Clutch.....	16
Clutch Cover & Oil Filter .....	17
Cowl Stay (Fairing Mount).....	18
Crankshaft & Pistons .....	19
Cylinder Head, Left .....	20
Cylinder Head, Right .....	22
Cylinder Head Covers.....	24
Electrical Plate & Modules .....	25
Engine Cover, Front (Transmission Cover).....	27
Engine Cover, Rear.....	28
Exhaust System.....	29
Fairing.....	31
Fairing Pockets & Air Ducts.....	32
Fairing Wire Harness .....	33
Fender, Front.....	34
Fender, Rear.....	35
Final Shaft.....	37
Footpegs.....	38
Forks & Wire Box.....	40
Frame .....	42
Fuel Tank & Petcock .....	43
Gasket Kit A .....	44
Gasket Kit B.....	45
Handlebar & Top Bridge & Fuse Panel & Lockset .....	46
Handlebar Controls .....	47
Headlight.....	48
Instruments: Speedometer & Tachometer & Lights .....	49
Oil Pump & Primary Drive Gear .....	51
Pedal, Brake & Shift Pedal .....	52
Radiator & Cooling Fan & Grille .....	53
Radiator Shroud & Coolant Reserve Tank & Engine Hangers.....	54
Rear End.....	55
Saddlebags .....	57

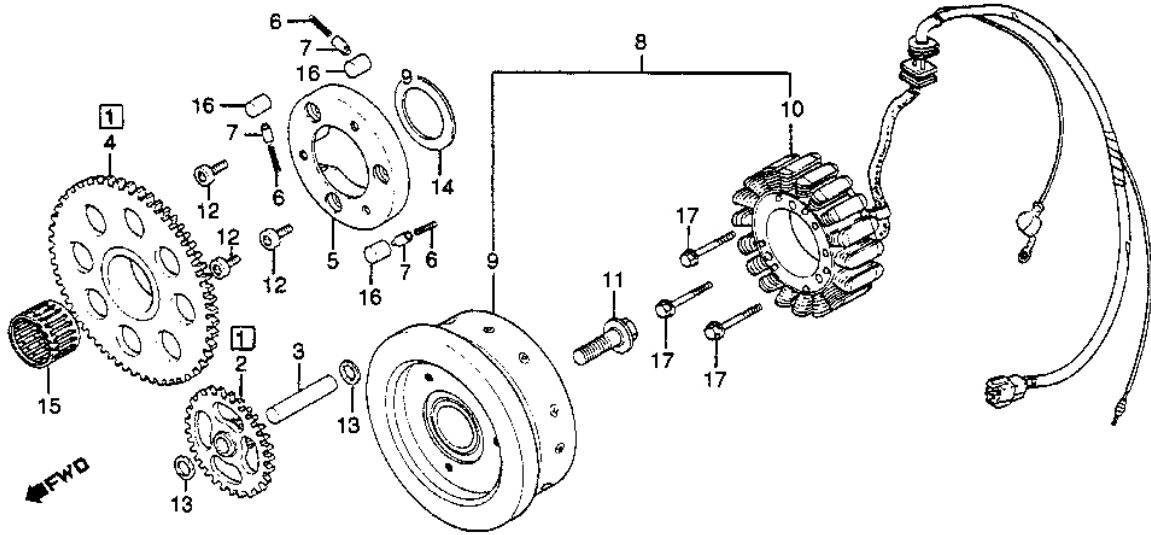
Seats & Rear Cowl.....	59
Shifter Drum & Forks .....	60
Shock Absorber & Rear Suspension.....	61
Stand, Center & Side Stand .....	63
Starter Motor.....	64
Steering Stem & Horns .....	65
Stripes (Decals).....	66
Swingarm & Driveshaft .....	67
Tail Light .....	68
Thermostat & Coolant Pipes & Hoses .....	69
Tools .....	70
Transmission .....	71
Trunk.....	72
Turn Signals & Brackets.....	74
Valves & Rocker Arms.....	76
Water Pump & Ignition Pulse Generator .....	77
Wheel, Front & Brake Discs.....	78
Wheel, Rear.....	79
Windscreen & Mirrors & Instrument Shroud .....	80
Wire Harness & Ignition Coils .....	81

## Air Cleaner



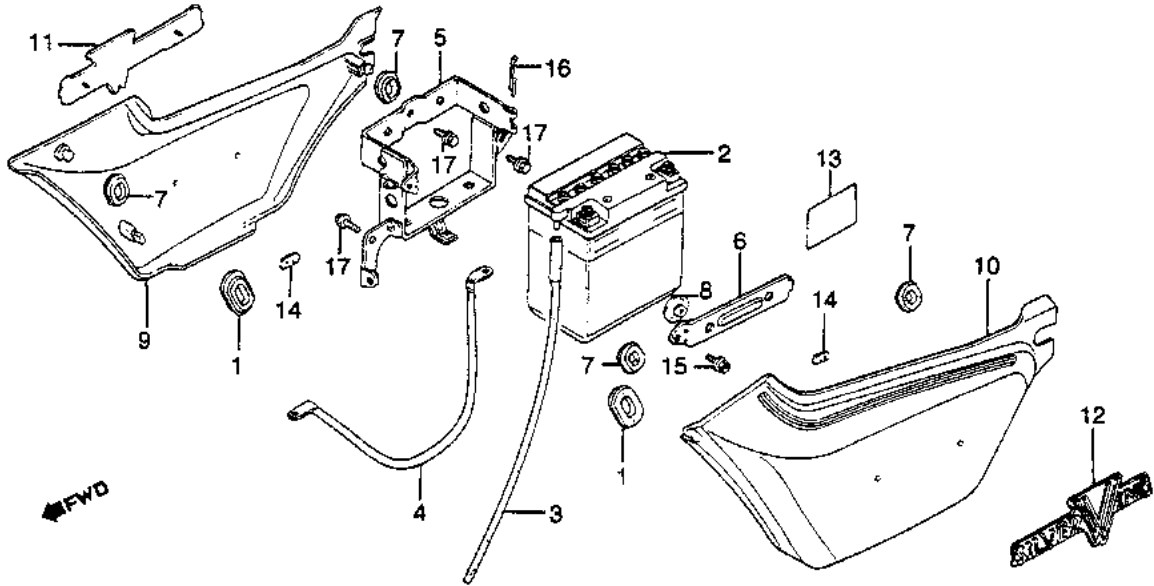
REF#	PART		#REQ
01	HOUSING, AIR CLEANER	17205-MA1-000	001
02	CAP, A/CLNR ELEM	17212-415-000	001
03	TUBE	17213-415-000	001
04	HOLDER, CAP	17214-415-300	001
05	ELEMENT, AIR CLEANER	17220-415-003	001
06	STAY	17231-MA1-000	001
07	TUBE	17254-MA1-310	
	(replaces	17254-MA1-300)	001
08	BAND, A/CLNR TUBE	17256-425-010	
	(replaces	17256-358-000)	002
09	TUBE, BREATHER	17335-415-670	001
10	TUBE, BREATHER	17336-MA1-000	001
11	FILTER	17337-323-300	001
12	JOINT, BREATHER TUBE	17359-419-670	001
13	CLIP, TUBE (A13.5)	17369-419-670	001
14	PLUG, BREATHER TUBE	17370-419-700	001
15	TANK, STORAGE	17551-MA1-000	001
16	GROM, STORAGE TANK	17552-MA1-000	001
17	CLIP (16MM)	18534-634-670	002
18	BOLT, FLANGE (6MM)	90111-162-000	001
19	BOLT, FLANGE (6X20)	90113-449-000	001
20	SCREW, PAN (4X20)	93500-04020-0A	002
21	SCREW, TAPPING (4X8)	93901-34120	006
22	CLIP, TUBE (A15)	95002-01150	001
23	CLIP, TUBE (B12.5)	95002-02130	003
24	BULK HOSE (8X1000)	95005-80001-20M	001
25	BULK HOSE (8X1000)	95005-80001-20M	001
26	BOLT, FLANGE (6X16)	95701-06016-08	
	(replaces	95700-06016-08)	
	(replaces	95900-06016-08)	001

## Alternator & Starter Clutch



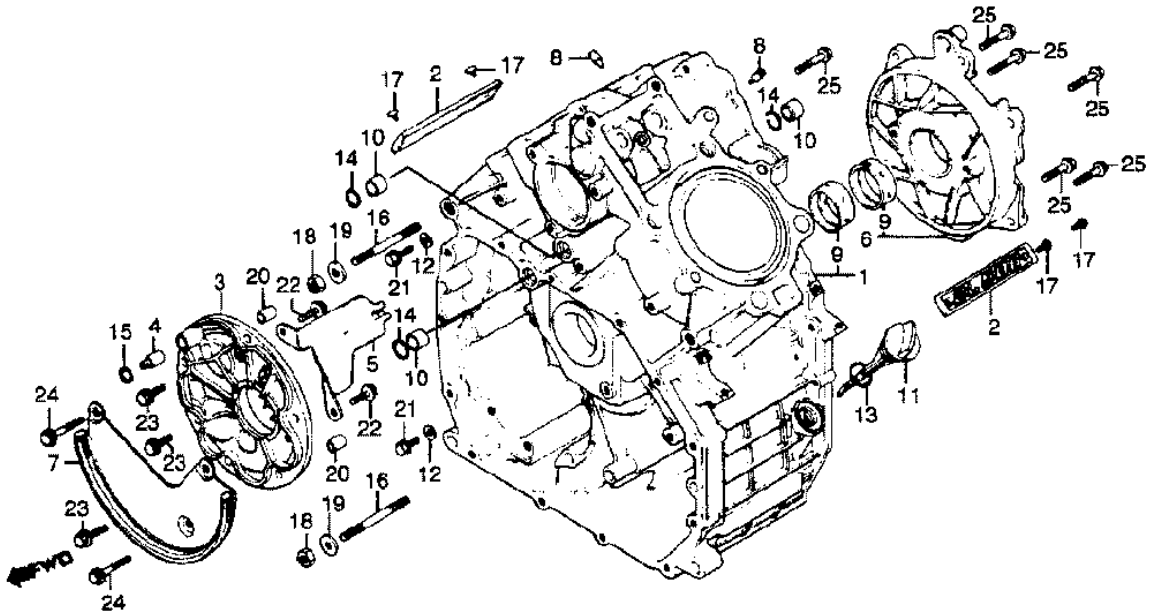
REF#	PART		#REQ
01	GEAR SET, STARTER	28100-415-305	001
02	GEAR	28102-415-010	001
03	SHAFT	28106-415-000	001
04	GEAR	28110-MF5-000	
		(replaces 28110-415-010)	001
05	CLUTCH, STARTER	28120-415-000	001
06	SPRING	28125-516-030	003
07	CAP	28126-516-020	003
08	ALTERNATOR ASSY.	31100-MA1-005	001
09	FLYWHEEL	31110-MA1-005	001
10	STATOR	31120-MA1-005	001
11	BOLT (12X30)	90002-415-003	001
12	BOLT, SOCKET 8MM	90010-KCJ-690	
		(replaces 90010-415-000)	003
13	WASHER (12MM)	90451-708-000	002
14	WASHER (37MM)	90454-415-000	001
15	BEARING (32MM)	91021-415-005	001
16	ROLLER (15X13)	91101-516-000	003
17	BOLT, FLANGE (6X40)	95701-06040-00	
		(replaces 95700-06040-00)	

## Battery & Sidecovers



REF#	PART		#REQ
01	GROMMET A	17247-303-000	002
02	BATTERY ASSY.	31500-425-672	
		(replaces 31500-415-601)	
		(replaces 31500-415-671)	
		(replaces 31500-425-671)	
		(replaces 31500-425-677)	
		(replaces 31500-461-770)	
		(replaces 31500-461-771)	
		(replaces 31500-461-772)	001
03	TUBE	31502-MA1-000	001
04	CABLE	32601-MA1-000	001
05	BAND A, BATTERY	50327-MA1-000	001
06	BAND B	50328-MA1-000	001
07	GROMMET, A/CLNR HSG	83551-300-000	004
08	RUBBER, BATTERY BOX	83618-323-000	008
09	COVER, R. *R104CU*	83620-MA1-000ZA	
09	COVER, R. *B100MU*	83620-MA1-000ZB	
10	CVR, L. *R104CU*	83720-MA1-000ZA	
10	COVER, L. *B100MU*	83720-MA1-000ZB	
11	EMBLEM, SIDE COVER	87125-MA1-000	001
12	EMBLEM, L.	87137-MA1-000	001
13	LABEL	87506-MA1-670	001
14	NUT, SPEED (3MM)	90315-504-000	004
15	BOLT (6X10)	92300-06010-0B	001
16	PIN, COTTER (3.0X45)	94201-30450	
		(replaces 94201-30400)	001
17	BOLT, FLANGE (6X10)	95700-06010-08	003
17	BOLT, FLANGE (6X10)	95701-06010-08	003

## Block, Cylinder

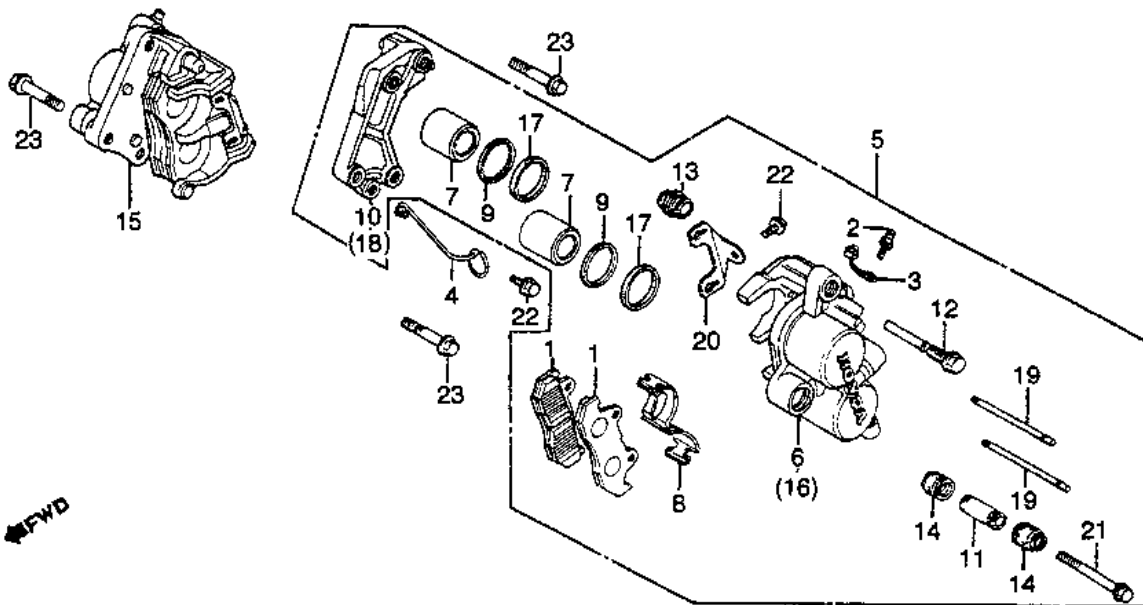


REF#	PART		#REQ
01	BLOCK, CYLINDER	11100-449-020	001
02	EMBLEM	11105-415-670	
		(replaces 11105-415-000)	002
03	HOLDER, TRANSMISSION	11131-415-000	001
04	ORIFICE (8MM)	11132-415-000	001
05	PLATE, TRANS HOLDER	11133-415-000	001
06	CAP, CRANKSHAFT	11140-415-000	001
07	SEPARATOR COMP,OI	11365-ME2-505	
		(replaces 11365-415-000)	001
08	VALVE	12901-413-000	002
09	BEARING A, MAIN	13325-415-305	002
09	BEARING B, MAIN	13326-415-305	002
09	BEARING C, MAIN	13327-415-305	002
10	COLLAR, O-RING	15155-300-000	003
11	DIPSTICK, OIL	15650-MK7-670	
		(replaces 15650-449-000)	001
12	WASHER (12MM)	90461-357-000	002
13	O-RING (22X3.0)	91307-425-003	
		(replaces 91301-250-000)	001
14	O-RING (13.6X2.4)	91301-268-020	003
15	O-RING (8X1.7)	91306-HB3-003	
		(replaces 91303-001-000)	001
16	BOLT, STUD (10X90)	92700-10090-0B	
		(replaces 92700-10090)	002
17	SCREW, TAPPING (4X8)	93902-34180	004
18	NUT, HEX. (10MM)	94001-10000-0S	002
19	WASHER, PLAIN (10MM)	94101-10000	002
20	PIN, DOWEL (8X14)	94301-08140	002
21	BOLT, FLANGE (6X12)	95701-06012-00	
		(replaces 95700-06012-00)	002
22	BOLT, FLANGE (6X16)	95701-06016-00	
		(replaces 95700-06016-00)	002
23	BOLT, FLANGE (6X20)	95701-06020-00	
		(replaces 95700-06020-00)	004
24	BOLT, FLANGE (6X32)	95701-06032-00	

25 BOLT, FLANGE (8X25) (replaces 95700-06032-00) 002  
95701-08025-00  
(replaces 95700-08025-00) 007

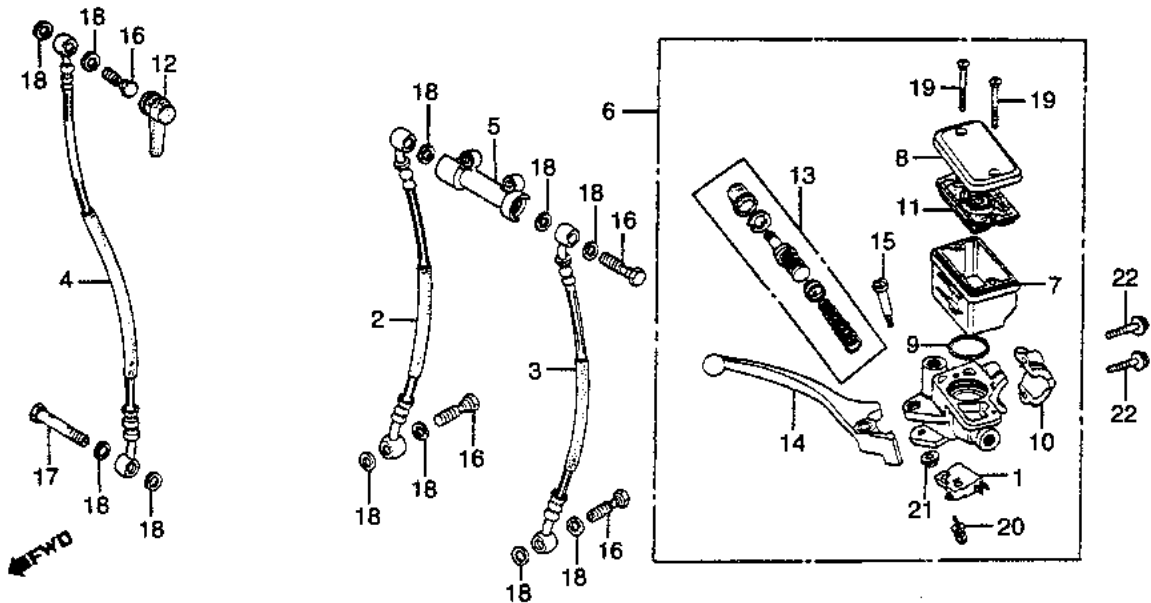


## Brake Calipers



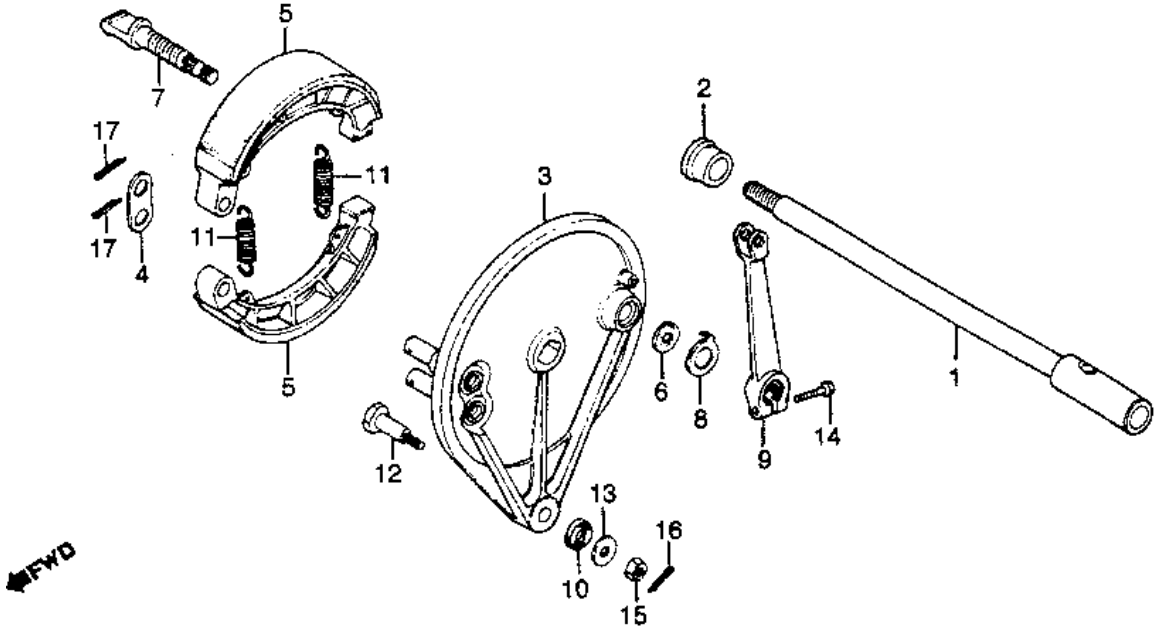
REF#	PART		#REQ
01	PAD, FR.	45105-KN8-026	
		(replaces 45105-443-761)	
		(replaces 45105-443-762)	004
02	SCREW, BLEEDER	43352-568-003	002
03	CAP, BLEEDER	43353-461-771	002
04	CLAMP	44832-MA3-000	001
05	CALIPER, L. FR.	45100-MA1-772	
		(replaces 45100-MA1-771)	001
06	CALIPER, L.	45101-MA3-006	001
07	PISTON	45107-MA3-006	004
08	SPRING, PAD	45108-MA3-006	002
09	DUST SEAL	45109-166-006	004
10	BRACKET, L.	45110-443-763	001
11	SLEEVE	45111-MA3-006	002
12	PIN, BOLT	45131-MA3-006	002
13	BOOT B	45133-MA3-006	002
14	BOOT, PIN	45133-166-016	004
15	CALIPER.ASSY.FR,R	45200-MA1-405	
		(replaces 45200-MA1-771)	
		(replaces 45200-MA1-772)	001
16	CALIPER, R.	45201-MA3-006	001
17	SEAL, PISTON	45209-166-006	004
18	BRACKET, R.	45210-443-763	001
19	PIN, HANGER	45215-MA3-006	004
20	PLATE	45217-MA3-006	002
21	BOLT, FLANGE (8X49)	90180-MA3-006	002
22	BOLT, FLANGE (6X10)	95701-06010-00	
		(replaces 95700-06010-00)	003
23	BOLT, FLANGE (10X32)	95801-10032-00	
		(replaces 95800-10032-00)	004
NI	PAD SET, BRAKE	06455-MA3-405	
		(replaces 431A0-MA3-004)	001

## Brake Lines, Front & Master Cylinder & Lever



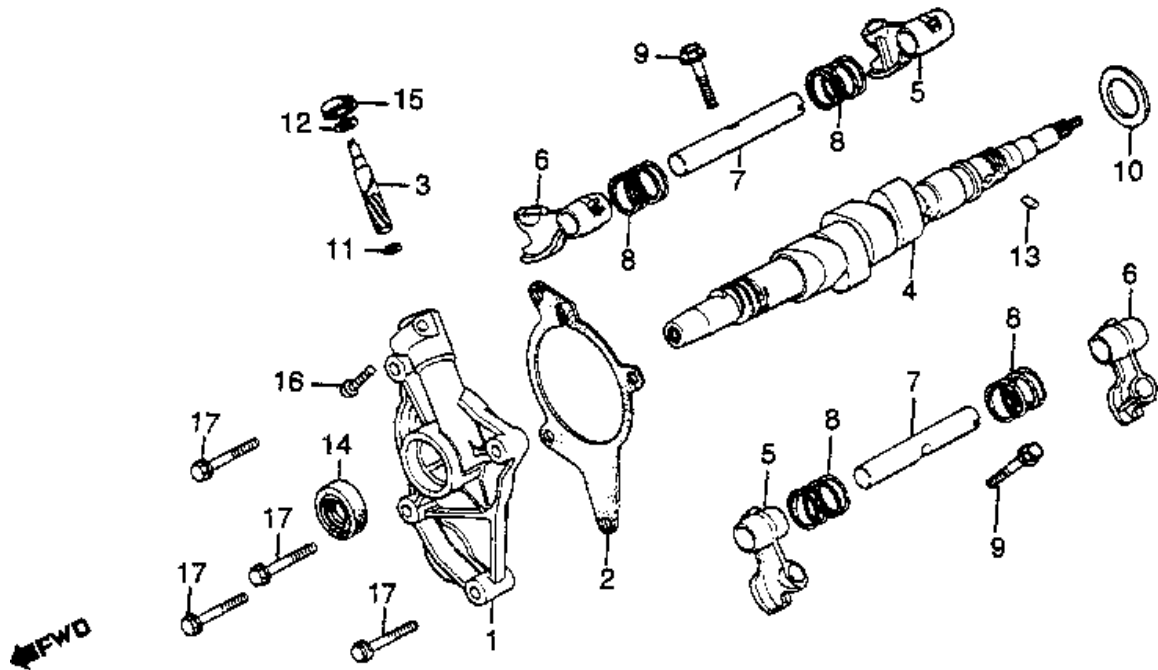
REF#	PART		#REQ
01	SWITCH, FR. STOP	35340-MA5-671	001
02	HOSE A, R. FR. BRAKE	45124-MC5-013	
	(replaces 45124-MA1-771)		001
03	HOSE A, L. FR. BRAKE	45125-MC5-013	
	(replaces 45125-MA1-771)		001
04	HOSE B, FR. BRAKE	45126-MA1-771	001
05	JOINT, TWO-WAY	45127-MA1-003	001
06	*45510-MA5-405	45500-MA5-672	001
07	CUP, OIL	45511-MA5-671	001
08	CAP, OIL CUP	45513-MA5-671	001
09	O-RING (26.7X2.4)	45516-166-006	001
10	HOLDER	45517-MA5-671	001
11	DIAPHRAGM	45520-MA5-672	
	(replaces 45520-MA5-671)		001
12	BOOT	45522-422-000	001
13	MASTER CYLINDER SET	45530-MA5-671	001
14	LEVER, R. HANDLEBAR	53175-MA5-671	001
15	BOLT, R.	90114-MA5-671	001
16	BOLT, OIL	90145-300-010	
	(replaces 90145-300-000)		004
17	BOLT, OIL	90145-422-020	
	(replaces 90145-422-010)		001
18	WASHER, OIL BOLT	90545-300-000	011
19	SCREW, FLAT (4X45)	93600-04045-1G	002
20	SCREW-WASHER (4X12)	93893-04012-08	
	(replaces 93893-04012-18)		001
21	NUT, FLANGE (6MM)	94050-06000	001
22	BOLT, FLANGE (6X25)	95701-06025-07	
	(replaces 95700-06025-07)		002

## Brake Panel, Rear & Rear Axle



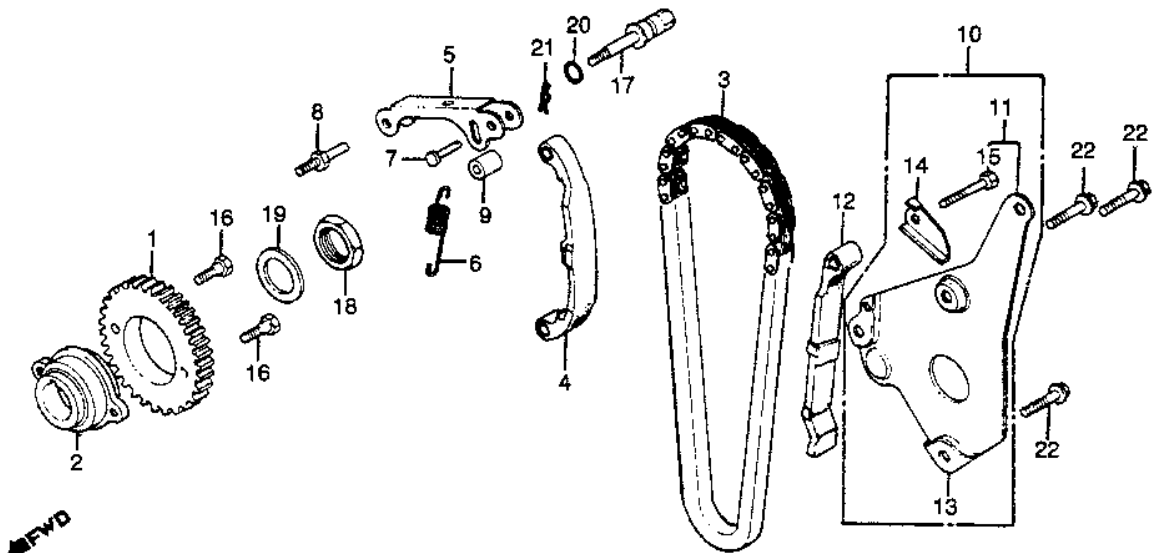
REF#	PART		#REQ
01	AXLE, RR. WHEEL	42301-MA1-000	001
02	COLR, RR. PANEL SIDE	42311-MA1-000	001
03	PANEL, RR.	43100-415-010	001
04	WASHER, ANCHOR PIN	43102-319-000	
	(replaces	43106-222-300)	001
05	SHOE, BRAKE	43120-MW3-671	
	(replaces	43120-415-000)	002
06	DUST SEAL, BRAKE CAM	43134-300-000	001
07	CAM, RR. BRAKE	43141-415-000	001
08	INDICATOR, RR. BRAKE	43145-MA1-000	001
09	ARM, RR. BRAKE	43410-MA1-000	001
10	RUBBER	43434-286-000	001
11	SPRING, FR.	45133-329-000	002
12	BOLT, RR.	90127-393-000	001
13	WASHER A	90524-030-000	001
14	BOLT, HEX. (8X25)	92101-08025-0A	
	(replaces	92000-08025-0A)	
15	NUT, HEX. (8MM)	94001-08000-0S	001
16	PIN, COTTER (2.0X35)	94201-20350	
	(replaces	94201-20180)	
	(replaces	94201-20200)	
	(replaces	94201-20250)	
	(replaces	94201-20280)	
	(replaces	94201-20320)	001
16	PIN, COTTER (2.0X22)	94201-29220	001
17	PIN, COTTER (2.5MM)	94201-25300	
	(replaces	94201-25200)	
	(replaces	94201-25250)	002
NI	SHOE KIT, BRAKE	06430-MW3-671	
	(replaces	06430-415-000)	
	(replaces	431A2-415-000)	001

## Camshaft & Tachometer Gear



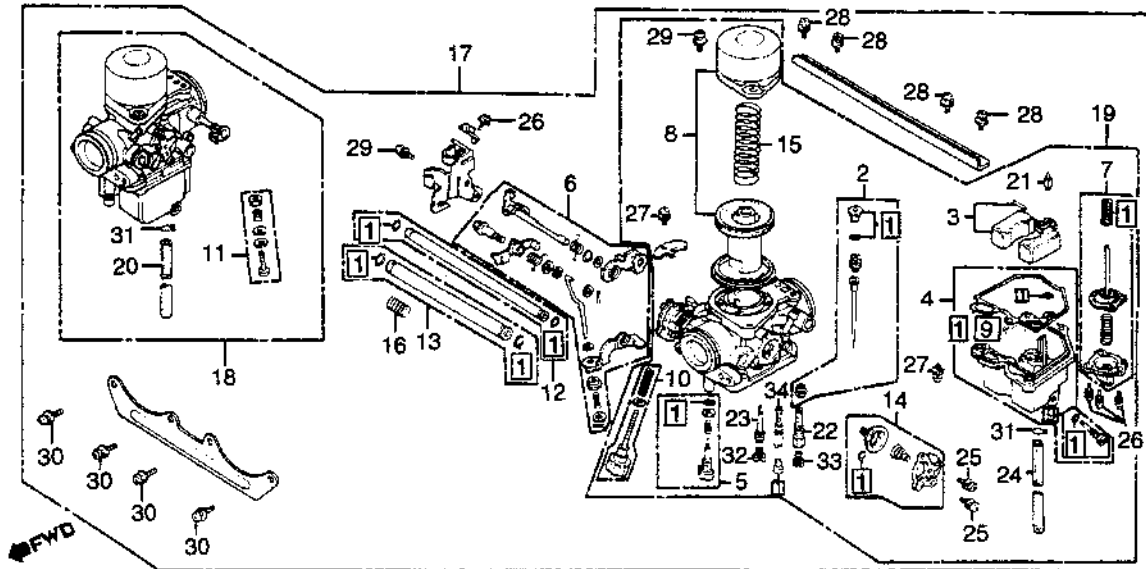
REF#	PART		#REQ
01	HOLDER, CAMSHAFT	12221-415-030	001
02	GASKET	12230-415-306	
		(replaces 12230-415-000)	
		(replaces 12230-449-700)	
03	GEAR, TACHOMETER	12431-415-010	001
04	CAMSHAFT	14100-MA1-000	001
05	ARM A, ROCKER	14441-415-010	002
06	ARM B, ROCKER	14442-415-010	002
07	SHAFT, ROCKER ARM	14451-ME7-000	
		(replaces 14451-415-000)	002
08	SPRING A	14453-415-000	004
09	BOLT, SPECIAL (6X30)	90008-415-000	002
10	WASHER (26MM)	90407-415-000	001
11	WASHER	90441-044-300	001
12	WASHER (6.7MM)	90458-324-000	001
13	ROLLER (5X8.5)	91105-415-000	001
14	OIL SEAL (17X28X7)	91201-415-013	
		(replaces 91201-415-003)	001
15	OIL SEAL (6X14.5X5)	91211-415-003	
		(replaces 91211-415-004)	001
16	SCREW, PAN (5X20)	93500-05020-0G	001
17	BOLT, FLANGE (6X28)	96001-06028-00	
		(replaces 96000-06028-00)	004

## Camshaft Chain & Tensioner



REF#	PART		#REQ
01	SPROCKET, CAM	14321-415-000	001
02	BOSS, CAM SPROCKET	14322-415-000	001
03	CHAIN, CAM	14401-MA1-013	001
04	TENSIONER, CAM CHAIN	14500-470-751	001
05	ARM	14510-415-000	001
06	SPRING, TENSIONER	14515-415-000	001
07	PIN	14518-413-000	001
08	PIN	14538-415-000	001
09	COLLAR (7X13.2)	14539-415-000	001
10	GUIDE SET, CAM CHAIN	14600-415-305	001
11	PLATE A	14602-415-305	001
12	GUIDE, CAM CHAIN	14620-470-751	001
13	PLATE A	14623-415-010	001
14	PLATE B	14624-415-000	001
15	BOLT, HEX. (6X30)	90011-415-000	001
16	BOLT (7X17)	90081-415-000	002
17	BOLT, TENSIONER LOCK	90087-415-010	001
18	NUT, LOCK (20MM)	90241-MJ8-000	001
	(replaces	90207-415-000)	001
19	WASHER, LOCK	90432-121-000	001
20	O-RING (6.5X3.1)	91312-415-000	001
21	PIN, LOCK (6MM)	94251-06000	001
22	BOLT, FLANGE (6X16)	95701-06016-00	003
	(replaces	95700-06016-00)	003

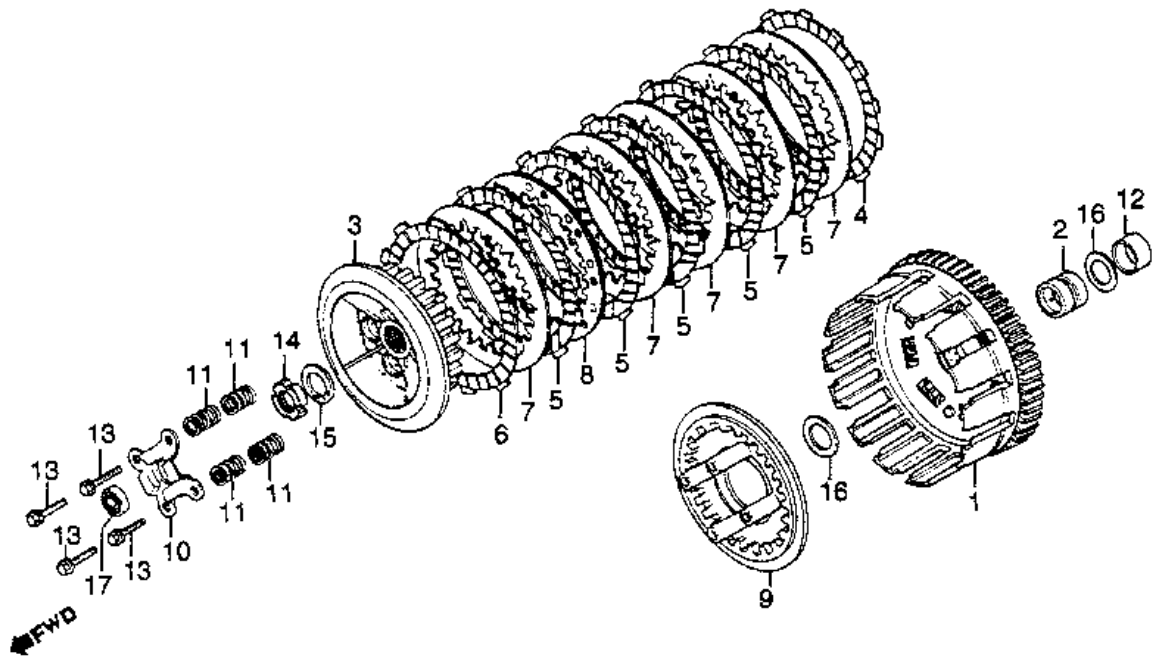
## Carburetors



REF#	PART		#REQ
01	GASKET SET	16010-MA1-671	002
02	NEEDLE SET, JET	16012-MA1-671	002
03	FLOAT SET	16013-413-851	
		(replaces 16013-413-751)	002
04	CHAMBER SET, FLOAT	16015-425-871	
		(replaces 16015-413-004)	001
05	SCREW SET A	16016-KC2-970	
		(replaces 16016-413-751)	002
06	ROD SET, PUMP	16019-413-751	001
07	DIAPHRAGM SET, PUMP	16021-413-751	001
08	PISTON SET, VACUUM	16022-449-771	
		(replaces 16022-470-671)	002
09	CHAMBER SET B, FLOAT	16023-425-671	001
10	SCREW SET B	16028-425-671	001
11	SCREW SET C	16029-PC6-005	
		(replaces 16029-413-004)	001
12	JOINT SET D, FUEL	16034-425-671	001
13	JOINT SET E, FUEL	16037-425-671	001
14	VALVE SET, AIR CUT	16048-429-771	
		(replaces 16048-429-671)	002
15	SPRING	16050-415-003	002
16	SPRING	16051-413-004	001
17	CARBURETOR ASSY.	16100-MA1-671	001
18	CARBURETOR ASSY., R.	16101-MA1-671	001
19	CARBURETOR ASSY., L.	16102-MA1-671	001
20	TUBE, OVERFLOW	16144-MA1-671	001
21	VALVE, FLOAT	16155-413-751	002
22	HOLDER, NEEDLE JET	16165-449-771	002
23	NOZZLE, MAIN	16166-415-003	002
24	TUBE	16143-460-405	
		(replaces 16195-460-671)	001
25	SCREW-WASHER (4X10)	93892-04010-00	004
26	SCREW-WASHER (4X12)	93892-04012-00	004
27	SCREW-WASHER (4X16)	93892-04016-00	008
28	SCREW-WASHER (5X12)	93892-05012-00	004
29	SCREW-WASHER (5X16)	93892-05016-00	004
30	SCREW-WASHER (6X14)	93892-06014-00	004

31	CLIP, TUBE (B6.5)	95002-02650	002
32	JET, MAIN (#78)	99101-GHB-0780	
		(replaces 99101-393-0780)	
33	JET (#112)	99101-GHB-1120	
		(replaces 99101-393-1120)	
		(replaces 99102-393-1120)	002
34	JET, SLOW (#45)	99103-MA1-0450	002

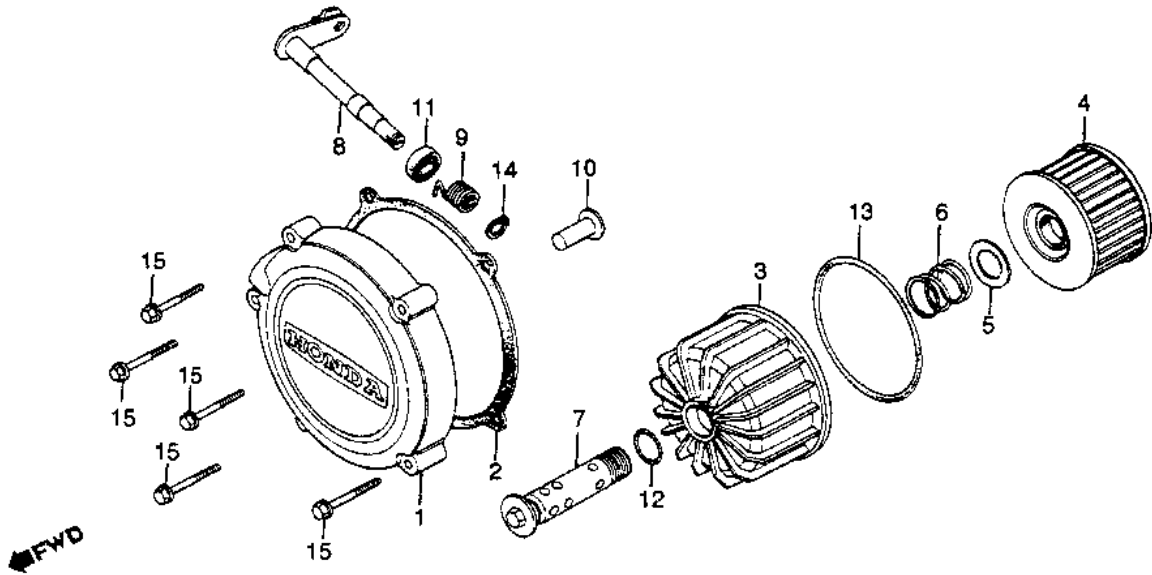
# Clutch



REF#	PART		#REQ
01	CLUTCH (OUTER)	22100-MA1-000	001
02	GUIDE, CLUTCH	22116-MA1-000	001
03	CENTER, CLUTCH	22120-390-000	001
04	DISK, CL FRICTION	22201-286-010	001
05	DISK, CL FRICTION	22201-415-306	
		(replaces 22201-415-000)	005
06	DISK B, CL FRICTION	22202-392-000	
		(replaces 22202-390-000)	001
07	PLATE B, CLUTCH	22321-329-000	005
08	PLATE B, CLUTCH	22322-390-000	001
09	PLATE, CLU PRESS	22350-390-000	001
10	PLATE, CLUTCH LIFTER	22361-415-000	001
11	SPRING, CLUTCH	22401-415-000	004
12	COLLAR (25MM)	23215-MA1-000	001
13	BOLT (6X22)	90050-357-000	004
14	NUT, LOCK (20MM)	90204-706-000	001
15	WASHER, LOCK	90432-121-000	001
16	WASHER (25MM)	90453-MA1-000	002
17	BEARING (6000)	96100-60000-00	001

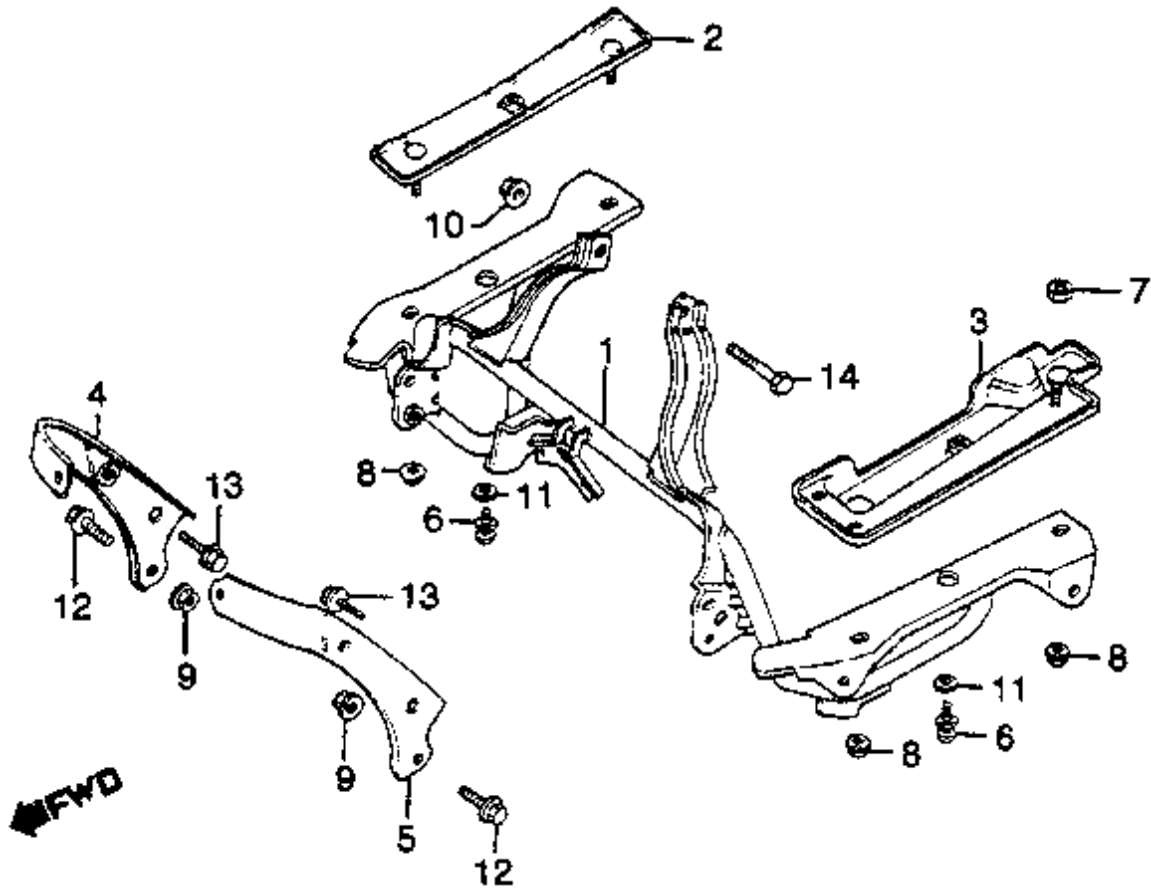


## Clutch Cover & Oil Filter



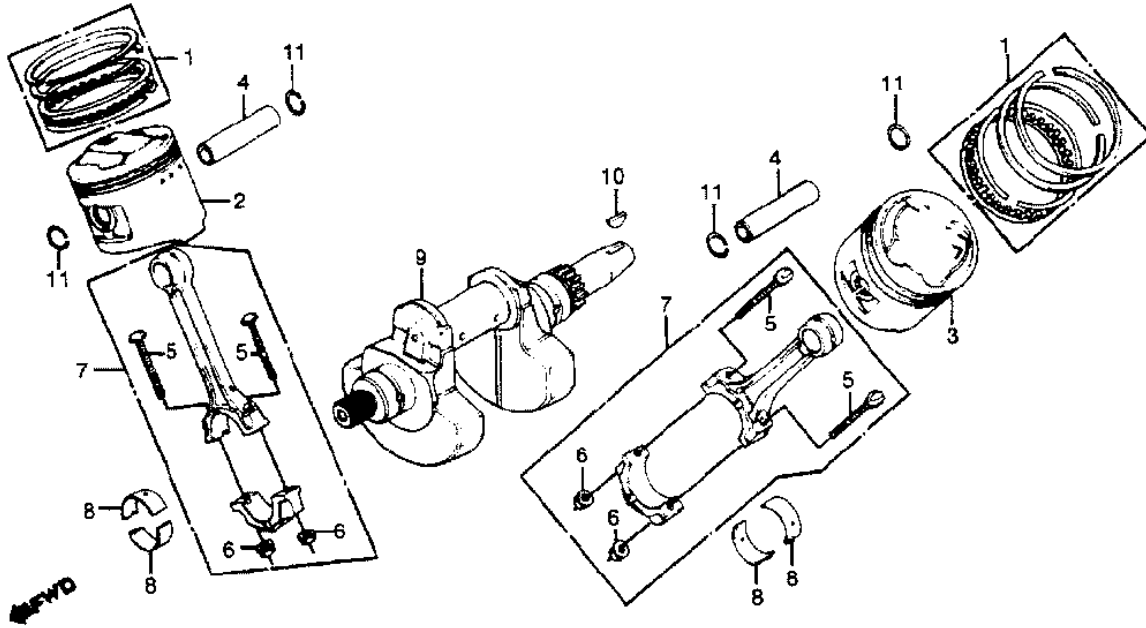
REF#	PART		#REQ
01	COVER, CLUTCH	11370-449-000	001
02	GASKET, CLUTCH COVER	11372-449-306	
		(replaces 11372-415-000)	
		(replaces 11372-449-700)	001
03	CASE, OIL FILTER	15411-449-000	001
04	ELEMENT, OIL FILTER	154A1-413-005	
		(replaces 15412-413-005)	
		(replaces 154A1-MA6-000)	001
05	SEAT	15414-300-000	001
06	SPRING	15415-413-000	001
07	BOLT	15420-MA6-000	
		(replaces 15420-415-000)	001
08	SHAFT, CLUTCH LEVER	22811-449-000	001
09	SPRING, CLUTCH LEVER	22815-413-000	001
10	ROD, CLUTCH LIFTER	22847-415-000	001
11	OIL SEAL (12X18X3)	91201-951-003	001
12	O-RING (15X2.5)	91302-377-000	001
13	O-RING (81X4.5)	91315-MA6-003	
		(replaces 91311-415-000)	001
14	CIRCLIP (10MM)	94510-10000	001
15	BOLT, FLANGE (6X28)	96001-06028-00	
		(replaces 96000-06028-00)	005

## Cowl Stay (Fairing Mount)



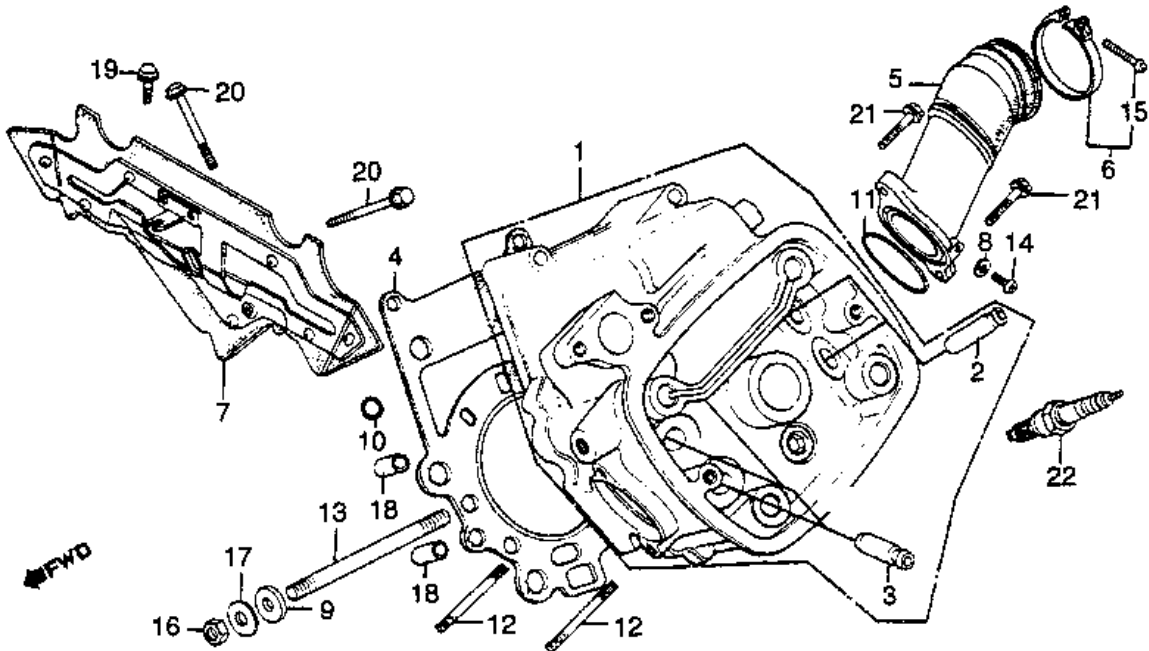
REF#	PART		#REQ
01	STAY, COWL	64510-MA1-770	001
02	PLATE, R. COWL NUT	64511-463-770	001
03	PLATE, L. COWL NUT	64512-463-890	001
04	STAY, R. FR. COWL	64513-463-770	001
05	STAY, L. FR. COWL	64514-463-770	001
06	SCREW-WASHER (4X12)	93891-04012-00	002
07	NUT, HEX. (4MM)	94001-04000-0S	001
08	NUT, FLANGE (6MM)	94050-06000	004
09	NUT, FLANGE (6MM)	94050-06080	004
10	NUT, FLANGE (8MM)	94050-08000	001
11	WASHER, PLAIN (4MM)	94101-04000	002
12	BOLT, FLANGE (6X12)	95700-06012-08	002
12	BOLT, FLANGE (6X12)	95701-06012-08	002
13	BOLT, FLANGE (6X16)	95701-06016-08	
	(replaces	95700-06016-08)	
	(replaces	95900-06016-08)	
14	BOLT, FLANGE (8X90)	95700-08090-00	001

## Crankshaft & Pistons



REF#	PART		#REQ
01	RING SET (STD)	13011-415-003	002
		(replaces 13011-415-004)	
01	RING SET (OS 0.25)	13021-415-003	002
		(replaces 13021-415-004)	
01	RING SET (OS 0.50)	13031-415-003	002
		(replaces 13031-415-004)	
02	PISTON, R. (STD)	13101-415-000	001
02	PISTON, R. (OS 0.25)	13103-415-000	001
02	PISTON, R. (OS 0.50)	13105-415-000	001
03	PISTON, L. (STD)	13102-415-000	001
03	PISTON, L. (OS 0.25)	13104-415-000	001
03	PISTON, L. (OS 0.50)	13106-415-000	001
04	PIN, PISTON	13111-415-000	002
05	BOLT, CONNECTING ROD	13204-415-010	004
06	NUT, CONNECTING ROD	13205-634-010	004
07	ROD, CONNECTING	13210-415-020	002
		(replaces 13210-415-010)	
08	BEARING B, CONN ROD	13216-415-013	004
08	BEARING C, CONN ROD	13217-415-013	004
08	BEARING D, CONN ROD	13218-415-013	004
08	BEARING E, CONN ROD	13219-415-013	004
08	BEARING F, CONN ROD	13220-415-003	004
09	CRANKSHAFT	13300-MA1-000	001
10	KEY (25X18)	13331-357-000	001
11	CLIP (21MM)	94601-21000	004

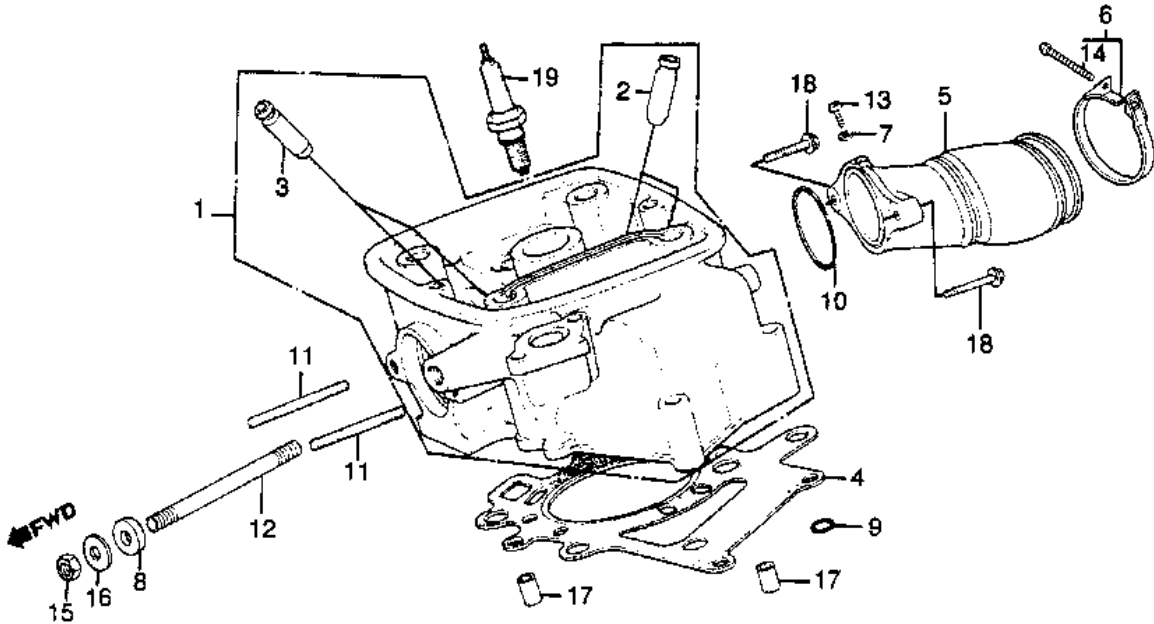
## Cylinder Head, Left



REF#	PART		#REQ
01	CYLINDER HEAD, L.	12210-MA1-020	
		(replaces 12210-MA1-000)	001
02	GUIDE, IN VALVE	12233-MG8-405	
		(replaces 12231-415-305)	002
03	GUIDE, IN VALVE	12233-MG8-405	002
03	GUIDE, EX. VALVE	12241-415-305	002
04	GASKET, CYL HD	12251-415-306	
		(replaces 12251-415-014)	
		(replaces 12251-415-024)	
		(replaces 12251-415-034)	001
05	INSULATOR, L. CARB	16221-MA1-000	001
06	BAND (56)	95018-56200	
		(replaces 17255-356-000)	
		(replaces 90651-GHB-710)	001
07	SPOILER, AIR	19530-MA1-000	001
08	WASHER (5MM)	90452-323-000	001
10	O-RING (6.9X1.5)	91302-044-013	001
11	O-RING (40X2.4)	91325-413-830	
		(replaces 91325-567-005)	001
12	BOLT, STUD (6X55)	92700-06055-0B	
		(replaces 92700-06055)	002
13	BOLT, STUD (10X80)	92900-10080-0B	
		(replaces 92700-10100)	001
14	SCREW, PAN (5X8)	93500-05008-0A	001
15	SCREW, PAN (5X20)	93500-05020-0G	001
16	NUT, HEX. (10MM)	94001-10000-0S	001
18	PIN, DOWEL (8X14)	94301-08140	002
19	BOLT, FLANGE (6X12)	95701-06012-00	
		(replaces 95700-06012-00)	001
20	BOLT, FLANGE (6X50)	95701-06050-00	
		(replaces 95700-06050-00)	002
21	BOLT, FLANGE (6X22)	96001-06022-00	
		(replaces 96000-06022-00)	002
22	SPARK PLUG (DR8ES-L)	98069-38719	
		(replaces 98069-38716)	001

22	SPARK PLUG (DR8ES-L)	98069-38719	001
22	SPARK PLUG (DR8ES)	98069-58719	
	(replaces	98069-58716)	001
22	SPARK PLUG (D8EA)	98069-58717	001
22	S/PLG (X24ESR-U)	98069-58726	001
22	SPARK PLUG (X24ES-U)	98069-58727	001
22	SPARK PLUG (D9EA)	98069-59717	001
22	S/PLG (X27ESR-U)	98069-59726	001
22	SPARK PLUG (X27ES-U)	98069-59727	001

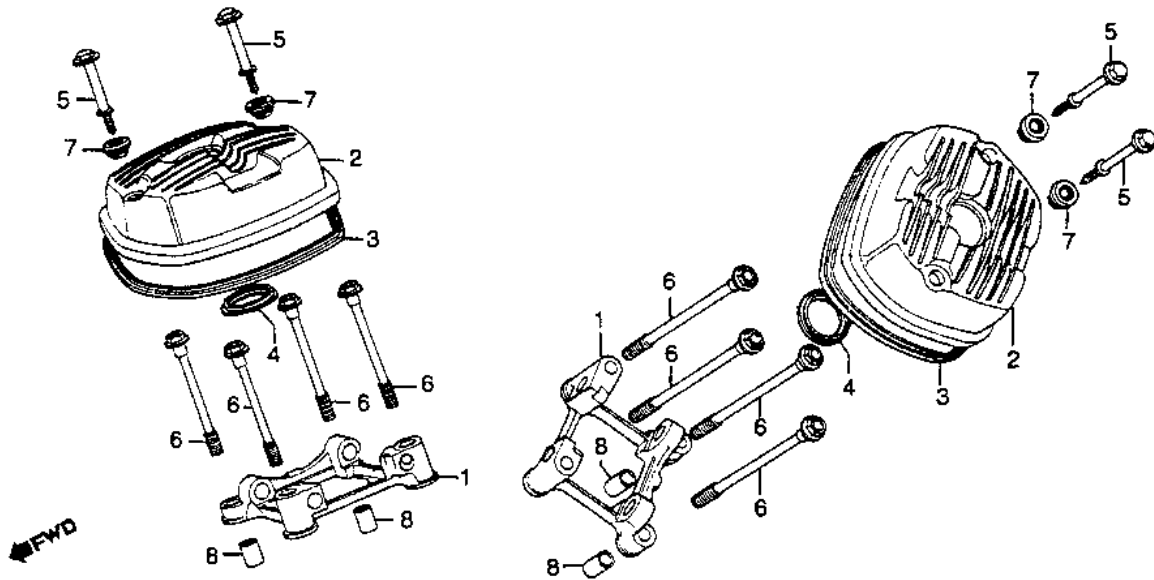
## Cylinder Head, Right



REF#	PART		#REQ
01	CYLINDER HEAD, R.	12200-MA1-000	001
02	GUIDE, IN VALVE	12233-MG8-405	
	(replaces	12231-415-305)	002
03	GUIDE, IN VALVE	12233-MG8-405	002
03	GUIDE, EX. VALVE	12241-415-305	002
04	GASKET, CYL HD	12251-415-306	
	(replaces	12251-415-014)	
	(replaces	12251-415-024)	
	(replaces	12251-415-034)	001
05	INSULATOR, R. CARB	16211-MA1-000	001
06	BAND (56)	95018-56200	
	(replaces	17255-356-000)	
	(replaces	90651-GHB-710)	001
07	WASHER (5MM)	90452-323-000	001
09	O-RING (6.9X1.5)	91302-044-013	001
10	O-RING (40X2.4)	91325-413-830	
	(replaces	91325-567-005)	001
11	BOLT, STUD (6X55)	92700-06055-0B	
	(replaces	92700-06055)	002
12	BOLT, STUD (10X80)	92900-10080-0B	
	(replaces	92700-10100)	001
13	SCREW, PAN (5X8)	93500-05008-0A	001
14	SCREW, PAN (5X20)	93500-05020-0G	001
15	NUT, HEX. (10MM)	94001-10000-0S	001
17	PIN, DOWEL (8X14)	94301-08140	002
18	BOLT, FLANGE (6X22)	96001-06022-00	
	(replaces	96000-06022-00)	002
19	SPARK PLUG (DR8ES-L)	98069-38719	
	(replaces	98069-38716)	001
19	SPARK PLUG (DR8ES)	98069-58719	
	(replaces	98069-58716)	001
19	SPARK PLUG (D8EA)	98069-58717	001
19	SPARK PLUG (DR8ES)	98069-58719	001
19	S/PLG (X24ESR-U)	98069-58726	001
19	SPARK PLUG (X24ES-U)	98069-58727	001

19	SPARK PLUG (D9EA)	98069-59717	001
19	S/PLG (X27ESR-U)	98069-59726	001
19	SPARK PLUG (X27ES-U)	98069-59727	001

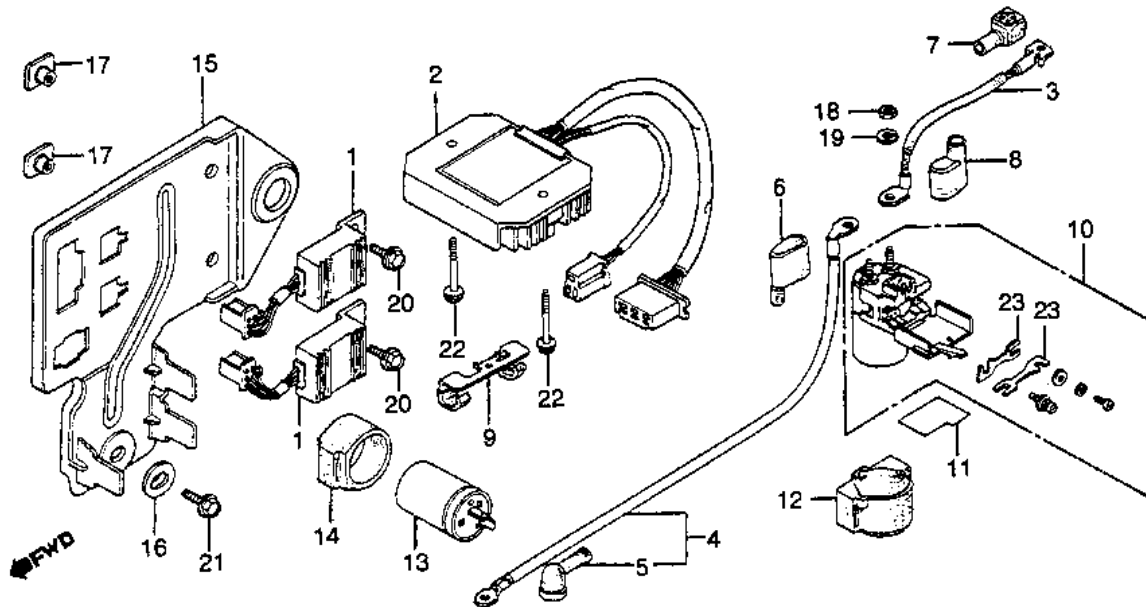
## Cylinder Head Covers



REF#	PART		#REQ
01	HOLDER	12215-ME7-000	
		(replaces 12215-415-000)	002
02	COVER, CYLINDER HEAD	12311-449-000	002
03	GASKET, HEAD COVER	12328-415-000	002
04	GASKET, PLUG HOLE	12329-415-000	002
05	BOLT (6X45.5)	90016-415-000	004
06	BOLT, FLG (12X150)	90021-415-000	008
07	RUBBER, SETTING	90541-371-000	004
08	PIN, DOWEL (14X20)	94301-14200	004



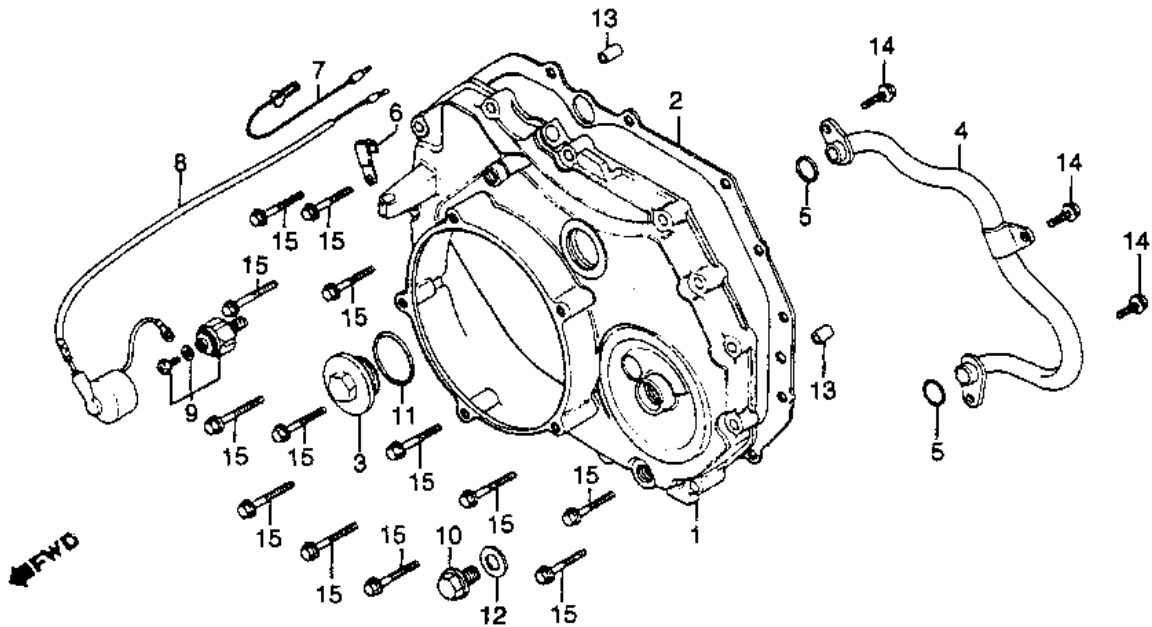
## Electrical Plate & Modules



REF#	PART		#REQ
01	MODULE, IGN CONT	30400-MA4-601	
		(replaces 30400-MA1-155)	002
02	RECTIFIER, REGULATOR	31600-MA1-008	001
03	CABLE	32401-MA1-730	
		(replaces 32401-MA1-000)	001
04	CABLE, STARTER MOTOR	32410-KK6-000	
		(replaces 32410-MA1-000)	001
05	COVER	32411-230-000	
		(replaces 32411-253-000)	001
06	COVER	32412-426-000	001
07	COVER, TERMINAL	32414-MA1-000	001
08	COVER B	32416-460-000	001
10	SWITCH ASSY.	35850-MB0-007	
		(replaces 35850-425-017)	001
11	LABEL, FUSE COVER	35853-425-300	001
12	RUB, MAGNETIC SHOCK	35856-425-000	001
13	RELAY ASSY., WINKE	38300-415-P00	
		(replaces 38300-415-004)	
		(replaces 38300-415-671)	
		(replaces 38301-415-004)	001
14	SUSPENSION	38306-KB4-010	
		(replaces 38306-438-000)	001
15	PLATE, ELECTRIC	50340-MA1-000	001
16	COLLAR, DISTANCE	66181-706-000	001
17	NUT, SPECIAL (6X7)	61304-958-003	
		(replaces 90301-471-000)	002
18	NUT, HEX. (6MM)	94002-06080-0S	
		(replaces 94002-06080)	
		(replaces 94002-06080-00)	
		(replaces 94002-06080-05)	004
19	WASHER, SPRING (6MM)	94111-06800	004
20	BOLT, FLANGE (6X12)	95700-06012-08	002
20	BOLT, FLANGE (6X12)	95701-06012-08	002
21	BOLT, FLANGE (6X16)	95701-06016-08	
		(replaces 95700-06016-08)	

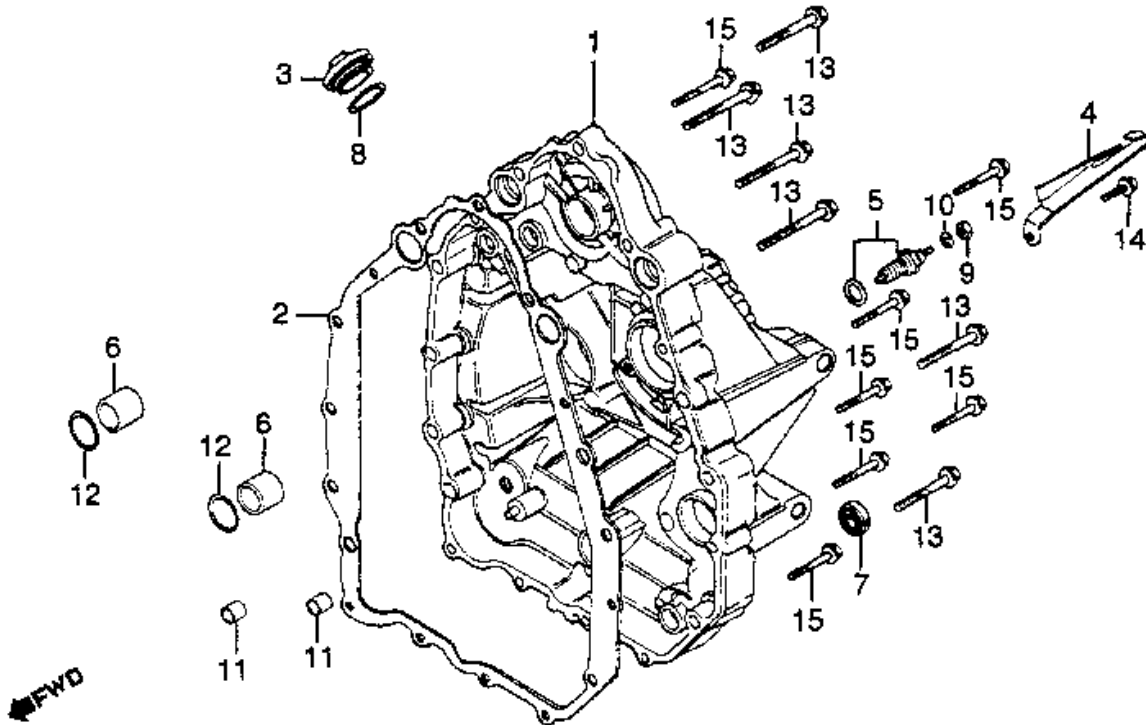
22	BOLT, FLANGE (6X35)	(replaces 95900-06016-08)	001
		95701-06035-07	
23	FUSE F (30A)	(replaces 95700-06035-07)	002
		98200-53000	002

## Engine Cover, Front (Transmission Cover)



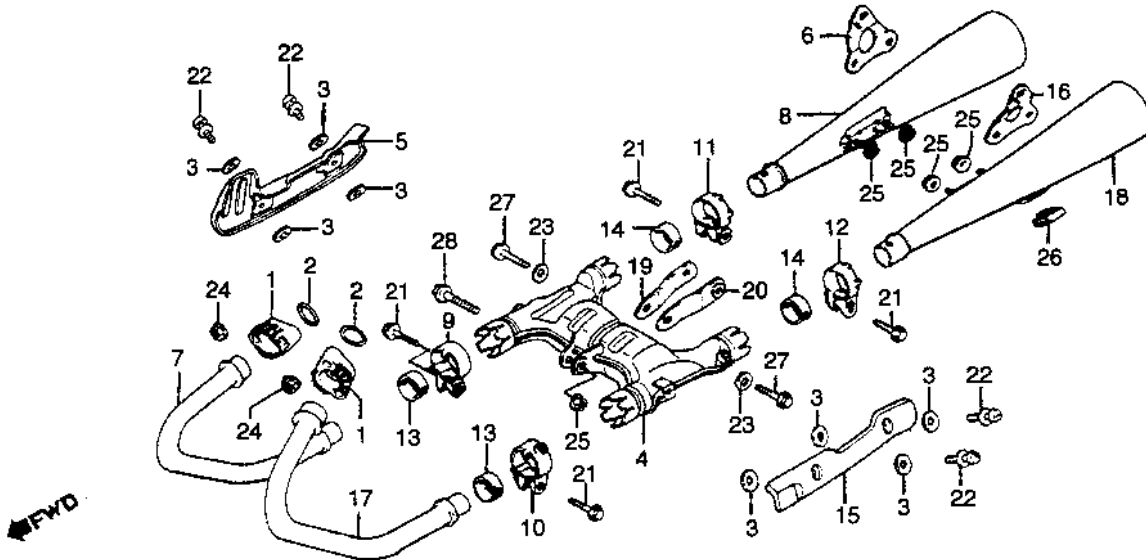
REF#	PART		#REQ
01	COVER, TRANSMISSION	11360-449-000	001
02	GASKET, TRANS CVR	11391-449-306	
	(replaces 11391-415-000)		
	(replaces 11391-449-700)		001
03	CAP, VALVE ADJ.	12361-300-000	
	(replaces 12361-035-000)		
	(replaces 12361-371-980)		001
04	PIPE, OIL PASSAGE	15142-415-000	001
05	O-RING (11.8X2.4)	91302-ZE9-003	
	(replaces 16997-357-003)		
	(replaces 91302-ZE9-000)		
	(replaces 91320-HA5-000)		
	(replaces 91320-HA5-003)		002
05	O-RING (11.8X2.4)	91320-MJ6-003	002
06	CLAMP, CABLE	32111-323-000	001
07	SUB-WIRE A, ENGINE	32116-415-000	001
08	SUB-WIRE B, ENGINE	32117-415-000	001
09	SWITCH, OIL PRESSURE	37240-P13-013	
	(replaces 35500-333-014)		001
10	BOLT, DRAIN (12MM)	92800-12000	
	(replaces 90030-415-000)		001
11	O-RING (27.5X2.6)	91302-001-710	
	(replaces 91302-001-000)		001
12	WASHER, DRAIN (12MM)	94109-12000	001
13	PIN, DOWEL (8X14)	94301-08140	002
14	BOLT, FLANGE (6X14)	95701-06014-00	
	(replaces 95700-06014-00)		003
15	BOLT, FLANGE (6X28)	96001-06028-00	
	(replaces 96000-06028-00)		013

## Engine Cover, Rear



REF#	PART		#REQ
01	COVER, RR.	11310-MA1-000	001
02	GASKET, RR. COVER	11394-449-306	
		(replaces 11394-415-010)	
		(replaces 11394-449-701)	001
03	CAP, VALVE ADJ.	12361-300-000	001
04	GUIDE, NEUTRAL CABLE	31140-415-000	001
05	SWITCH, NEUTRAL	35600-413-023	
		(replaces 35600-413-003)	
		(replaces 35600-413-013)	001
06	COLLAR (22.2MM)	90701-415-000	002
07	OIL SEAL (14X26X6)	91251-zw5-003	
		(replaces 91201-023-020)	
		(replaces 91203-023-020)	001
08	O-RING (27.5X2.6)	91302-001-710	
		(replaces 91302-001-000)	001
09	NUT, HEX. (4MM)	94001-04000-0S	001
10	WASHER, SPRING (4MM)	94111-04800	001
11	PIN, DOWEL (10X16)	94301-10160	002
12	O-RING (23X2.8)	94608-50000	002
13	BOLT, FLANGE (8X40)	95701-08040-00	
		(replaces 95700-08040-00)	006
14	BOLT, FLANGE (6X14)	96001-06014-00	
		(replaces 96000-06014-00)	001
15	BOLT, FLANGE (6X32)	96001-06032-00	
		(replaces 96000-06032-00)	007

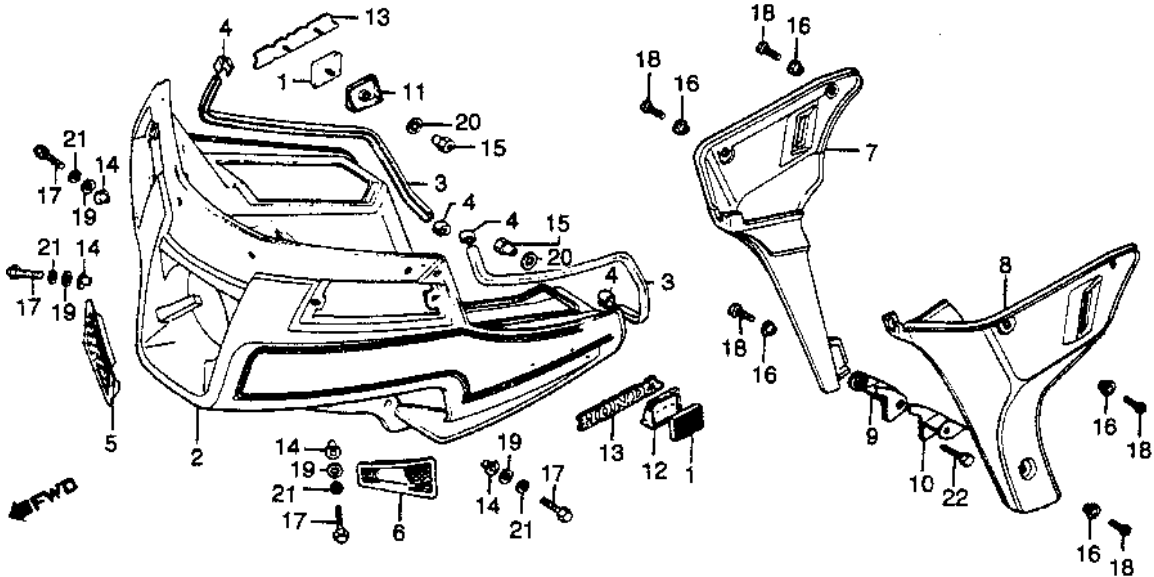
## Exhaust System



REF#	PART		#REQ
01	JOINT, EX. PIPE	18231-415-000	002
02	GASKET, EX. PIPE	18291-286-306	
		(replaces 18291-286-000)	002
03	GASKET, PROTECTOR	18292-MM9-740	
		(replaces 18292-415-000)	
		(replaces 18292-KF9-900)	008
04	PRE CHAMBER	18310-MA1-003	001
05	PROTR, R. CHAMBER	18315-MA1-003	001
06	BRACKET, R. MUFFLER	18318-MA1-003	001
07	PIPE, R. EX.	18320-415-610	
		(replaces 18320-415-003)	001
08	MUFFLER	18330-MA1-405	
		(replaces 18330-MA1-003)	
		(replaces 18330-MA1-007)	001
09	BAND, R. FR. MUFFLER	18373-415-000	001
10	BAND, L. FR. MUFFLER	18374-415-000	
		(replaces 18374-MA1-003)	001
11	BAND, R. RR. MUFFLER	18375-413-000	001
12	BAND, L. RR. MUFFLER	18376-413-000	001
13	GASKET, MUFFLER	18392-MK4-000	
		(replaces 18391-317-000)	
		(replaces 18391-317-010)	002
14	GASKET, RR. MUFFLER	18392-MG7-750	
		(replaces 18392-413-000)	002
15	PROTR, L. CHAMBER	18415-MA1-003	001
16	BRACKET, L. MUFFLER	18418-MA1-003	001
17	PIPE, L. EX.	18420-415-610	
		(replaces 18420-415-003)	001
18	MUFFLER	18430-MA1-405	
		(replaces 18430-MA1-003)	
		(replaces 18430-MA1-007)	001
19	STAY, R. PRE CHAMBER	50506-MA1-000	001
20	STAY, L. PRE CHAMBER	50507-MA1-000	001
21	BOLT, FLANGE (8X37)	90118-471-000	004
22	SCREW-WASHER	90136-415-750	004
23	WASHER, LOCK	90401-MA1-000	002
24	NUT, FLANGE (6MM)	94050-06000	004
25	NUT, FLANGE (8MM)	94050-08080	005

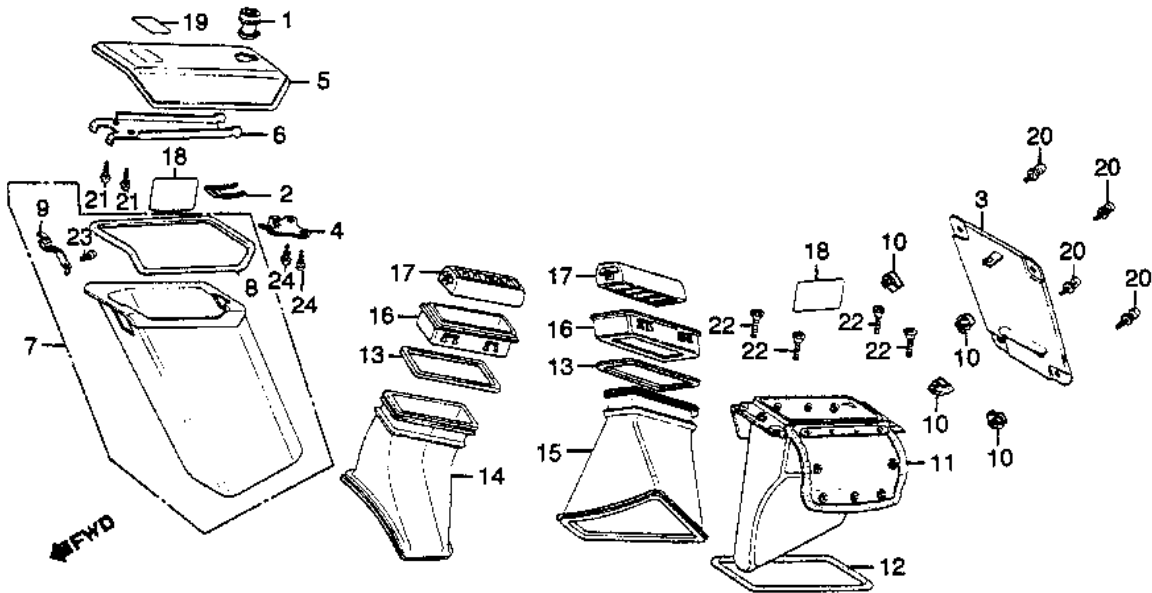
26	RUBBER D	95011-64000	001
27	BOLT, FLANGE (8X20)	95701-08020-08	
		(replaces 95700-08020-08)	
		(replaces 95701-08020-18)	002
28	BOLT, FLANGE (8X40)	95701-08040-08	
		(replaces 95700-08040-08)	001

## Fairing



REF#	PART		#REQ
01	REFLECTOR, FR.	33741-449-000	002
02	FAIRING *R104CU*	64200-MA1-770ZA	
02	FAIRING *B100MU*	64200-MA1-770ZB	
03	MOLDING, COWL TRIM	64205-463-770	002
04	CAP, MOLDING END	64207-MB9-770	
		(replaces 64207-463-770)	
		(replaces 64207-463-771)	004
05	COVER, R. AIR DUCT	64278-463-771	
		(replaces 64278-463-770)	001
06	COVER, L. AIR DUCT	64279-463-771	
		(replaces 64279-463-770)	001
07	COWL, R. *R104CU*	64280-MA1-770ZA	
07	COWL, R. *B100MU*	64280-MA1-770ZB	
08	COWL, L. *R104CU*	64290-MA1-770ZA	
08	COWL, L. *B100MU*	64290-MA1-770ZB	
09	STAY, R. (LOWER)	64330-MA1-770	001
10	STAY, L. (LOWER)	64340-MA1-770	001
11	BASE, R. FR.	64520-463-770	001
12	BASE, L. FR.	64530-463-770	001
13	EMBLEM, FAIRING SIDE	87109-463-770	002
13	EMBLEM, L.	87109-MB9-770	002
14	COLLAR, COWL SETTING	90120-463-770	004
15	NUT, SPECIAL (6MM)	90201-463-770	002
16	COLLAR	90522-170-700	006
17	BOLT, CAP (6X25)	92501-06025-0G	
		(replaces 92500-06025-0G)	
18	SCREW, PAN (6X16)	93500-06016-0G	006
19	WASHER, PLAIN (6MM)	94101-06700	004
20	WASHER (10.5X22X1.6)	94101-10800	002
21	WASHER, SPRING (6MM)	94111-06700	004
22	BOLT, FLANGE (6X10)	95701-06010-00	
		(replaces 95700-06010-00)	002

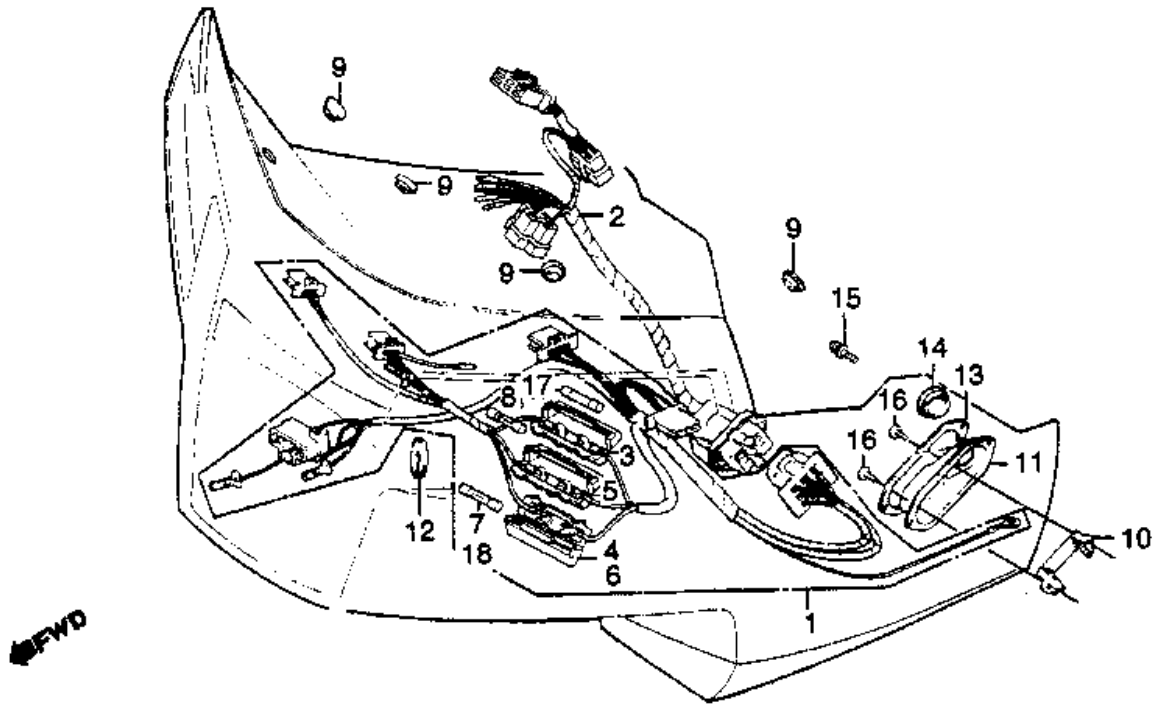
## Fairing Pockets & Air Ducts



REF#	PART		#REQ
01	LOCK, FILLER LID	37220-439-007	001
02	SPRING	37222-463-000	001
03	PLATE, RADIO HOLDER	64231-463-770	001
04	PLATE, R.	64233-463-770	001
05	COVER, R. POCKET	64236-463-770	001
06	STAY, R.	64237-463-770	001
07	POCKET, R.	64238-463-770	001
08	RUB, R. POCKET SEAL	64239-463-770	001
09	PLATE, POCKET MOUNT	64240-463-770	001
10	NUT, PLATE	64241-463-770	004
11	POCKET ASSY., L.	64247-463-405	001
	(replaces	64247-463-305)	001
12	RUB, L. POCKET SEAL	64249-463-770	001
13	GASKET, AIR DUCT	64274-463-770	002
14	TUBE, R. AIR DUCT	64275-463-770	001
15	TUBE, L. AIR DUCT	64276-463-770	001
16	DUCT, AIR	64277-463-770	002
17	OUTLET, FRESH AIR	64490-463-770	002
18	LABEL	87523-MA1-770	002
19	LABEL, R.	87524-463-770	001
20	SCREW-WASHER (5X16)	93891-05016-07	004
21	SCREW, TAP (5X12)	93901-35210	002
22	SCREW, TAP (5X20)	93902-25480	004
23	SCREW, TAPPING (4X8)	93903-34180	001
24	SCREW, TAP (5X10)	93903-35110	002

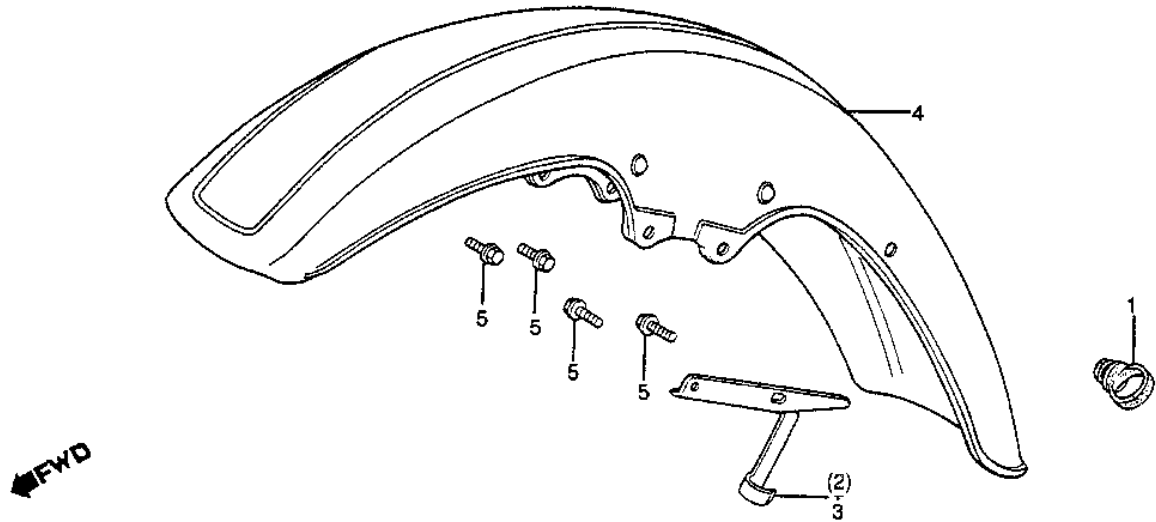


## Fairing Wire Harness



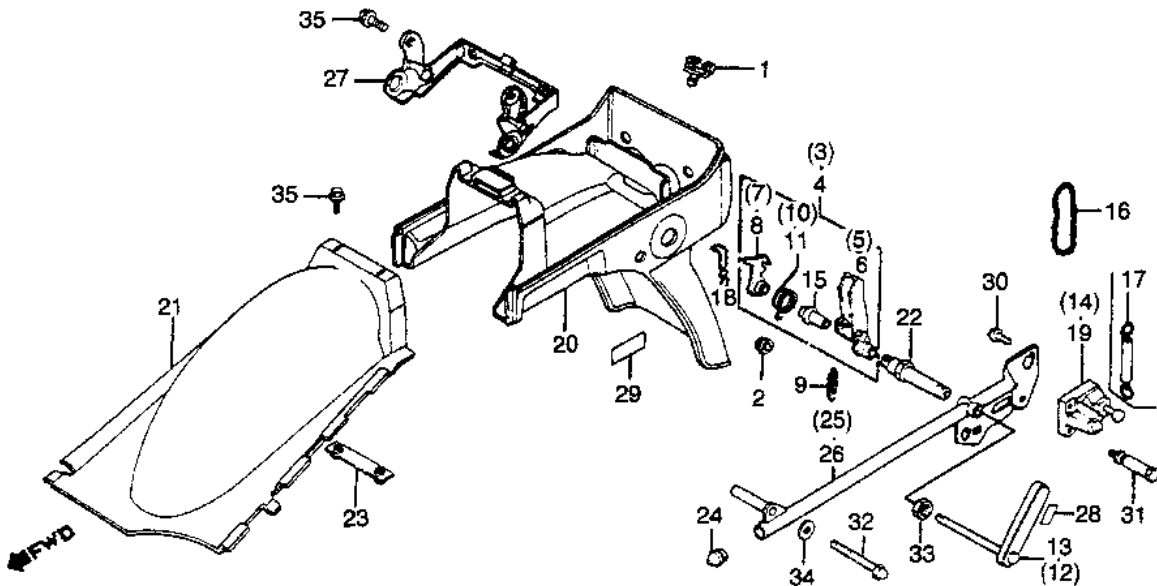
REF#	PART		#REQ
01	SUB-WIRE HARNESS E	32105-463-770	001
02	SUB-WIRE HARNESS F	32106-463-770	001
03	CASE, FUSE (5A)	32125-463-770	001
04	CASE, FUSE (10A)	32126-463-770	001
09	GROMMET B	60604-581-000	004
10	PLATE	64232-463-770	001
11	HOLDER B, CONNECTOR	64295-MA1-770	001
12	GROM, HEADLIGHT CORD	64297-463-770	001
13	GASKET	64299-463-770	001
14	CAP	66893-567-000	001
15	SCREW-WASHER (4X12)	93891-04012-07	
	(replaces	93891-04012-17)	002
16	SCREW, TAPPING (4X8)	93903-34180	002
17	FUSE B (5A)	98200-20500	002
18	FUSE B (10A)	98200-21000	002

# Fender, Front



REF#	PART		#REQ
01	GROMMET, CABLE	45451-471-000	001
02	GUIDE, R. FR. FENDER	61101-MA1-770	001
03	GUIDE, L. FR. FENDER	61102-MA1-000	001
04	FENDER, FR. *R104CU*	61110-MA1-000ZA	001
04	FENDER, FR. *B100MU*	61110-MA1-000ZB	001
05	BOLT, FLANGE (6X16)	95701-06016-08	
	(replaces	95700-06016-08)	
	(replaces	95900-06016-08)	004

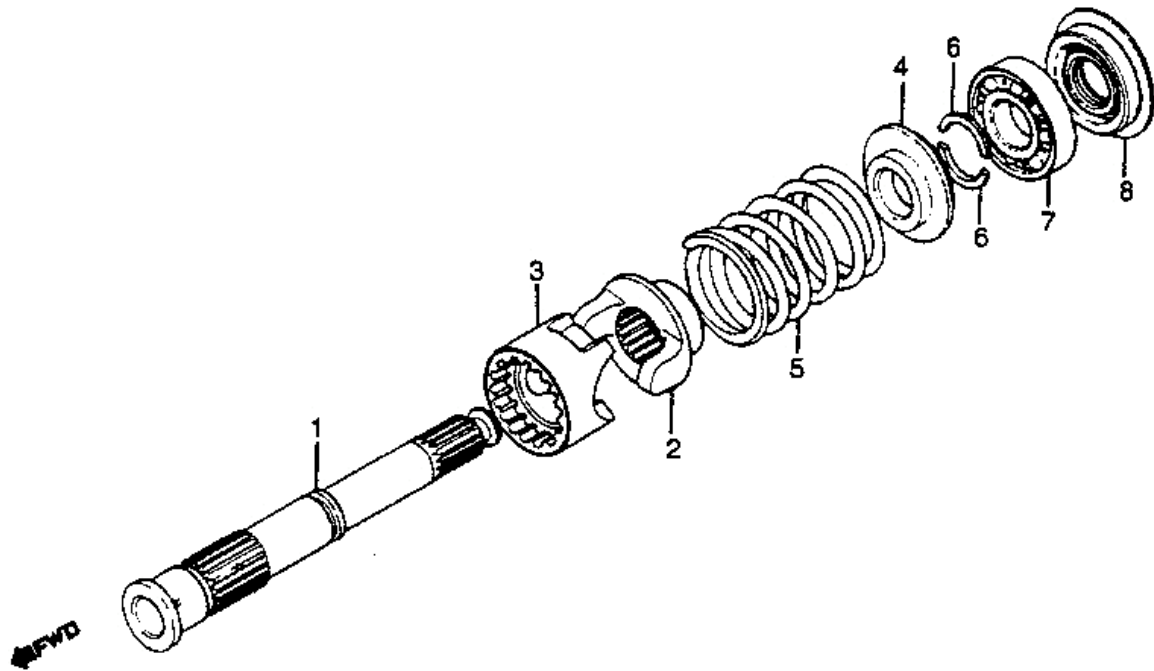
## Fender, Rear



REF#	PART		#REQ
01	GROMMET, CABLE	32985-422-000	001
02	GROMMET B	66219-634-000	002
03	LOCK ASSY., R. SEAT	77205-MA1-000	001
04	LOCK ASSY., L. SEAT	77215-MA1-000	001
05	LEVER, R. SEAT LOCK	77220-MA1-000	001
06	LEVER, L. SEAT LOCK	77221-MA1-000	001
07	PLATE, R. SEAT LOCK	77222-MA1-000	001
08	PLATE, L. SEAT LOCK	77223-MA1-000	001
09	SPRING A, SEAT LOCK	77224-MA1-000	002
10	SPRING B, R.	77226-MA1-000	001
11	SPRING B, L.	77227-MA1-000	001
12	SHAFT, R. SEAT LOCK	77228-MA1-000	001
13	SHAFT, L. SEAT LOCK	77229-MA1-000	001
14	LOCK ASSY., R. SEAT	77230-MA1-731	001
	(replaces 77230-MA1-003)		001
15	COLLAR, SEAT LOCK	77231-MA1-000	002
17	CHAIN, HELMET LOCK	77235-MA1-740	001
	(replaces 77235-MA1-771)		001
18	SPRING	77238-MA1-000	002
19	LOCK ASSY., R. SEAT	77230-MA1-731	001
	(replaces 77240-MA1-003)		001
20	FDR A, RR. *R104CU*	80100-MA1-000ZA	
20	FDR A, RR. *B100MU*	80100-MA1-000ZB	
21	FENDER B, RR.	80101-MA1-000	001
22	BOLT, RR. FENDER	80105-MA1-000	002
23	PLATE, RR. FENDER	80110-415-000	001
24	CAP, RR. BUMPER	84103-MA1-000	002
25	BUMPER, R. RR.	84151-MA1-000	001
26	BUMPER, L. RR.	84152-MA1-000	001
27	BRACKET, TAILLIGHT	84700-MA1-000	001
28	LABEL, HELMET HOLDER	87511-323-670	002
29	MARK	87512-461-770	001
30	SCREW, PAN (6X8)	90106-MA1-000	002
31	BOLT, SEAT LOCK	90107-MA1-000	002
32	BOLT, CAP (8X60)	92600-08060-0B	002
33	NUT, HEX. (14MM)	94002-14000-0S	

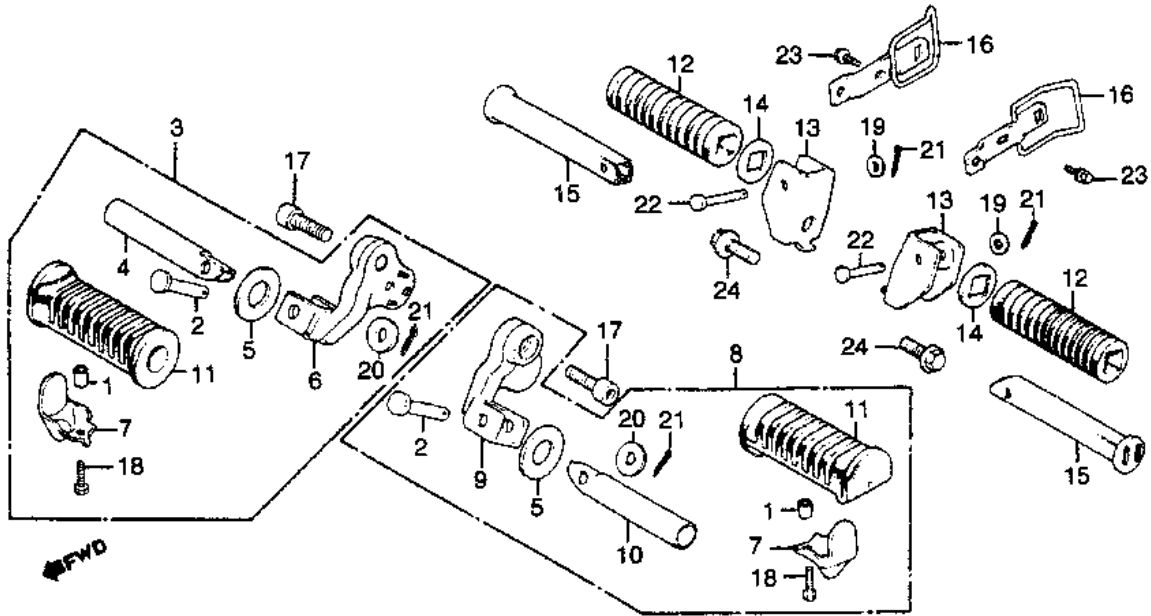
		(replaces 94002-14000)	002
34	WASHER, FLAT (8MM)	94103-08200	002
35	BOLT, FLANGE (6X12)	95700-06012-08	004
35	BOLT, FLANGE (6X12)	95701-06012-08	004

## Final Shaft



REF#	PART		#REQ
01	SHAFT, FINAL	23521-415-000	001
02	LIFTER, DAMPER	23721-MA1-000	001
03	CAM, DAMPER	23722-MA1-000	001
04	STOPPER	23731-371-000	001
05	SPRING, DAMPER	23732-MA1-000	001
06	WASHER	23733-371-000	002
07	BEARING (62/22)	91002-PL0-018	
		(replaces 91002-PL0-008)	
		(replaces 91005-634-004)	
		(replaces 91005-634-008)	
		(replaces 91005-657-003)	
		(replaces 91005-657-004)	
		(replaces 91005-657-008)	001
08	OIL SEAL (22X36X7)	91202-MC7-000	
		(replaces 91202-415-003)	
		(replaces 91202-415-004)	001

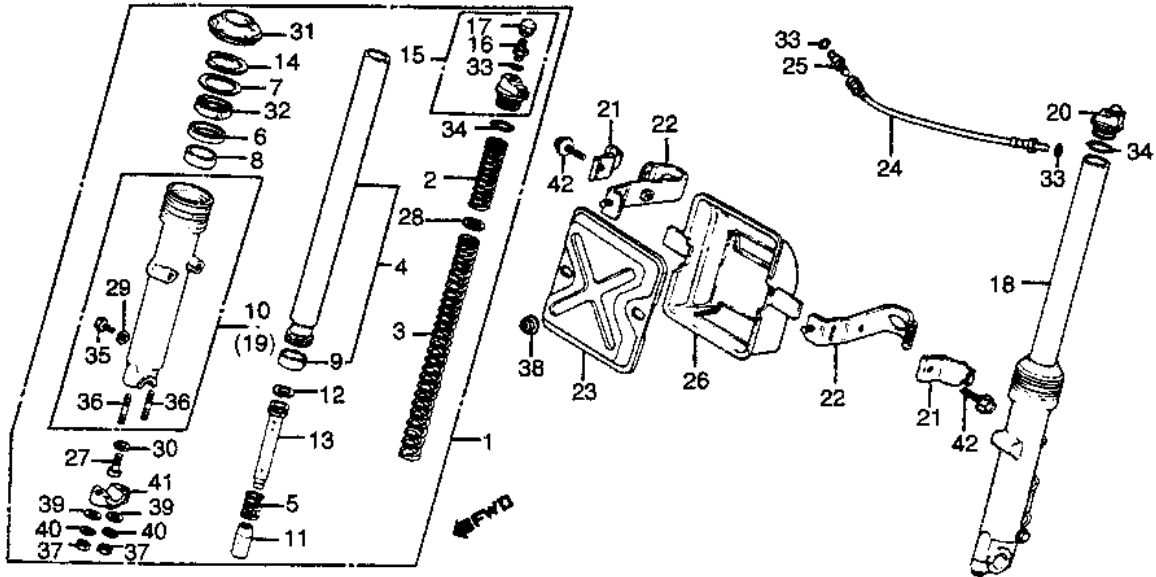
## Footpegs



REF#	PART		#REQ
01	COLLAR	37243-323-000	002
02	PIN, STEP BAR JOINT	50603-033-010	
	(replaces 50603-033-000)		002
03	STEP ASSY., R.	50610-MA1-000	001
04	BAR, R. FOOTPEG	50612-413-000	001
05	WASHER, MAIN FOOTPEG	50614-413-000	002
06	ARM, R. STEP	50615-MA1-000	001
07	STOPPER, STEP RUBBER	50619-425-010	002
08	STEP ASSY., L.	50620-MA1-000	001
09	ARM, L. STEP	50625-MA1-000	001
10	BAR, L. FOOTPEG	50643-413-000	001
11	RUBBER, FOOTPEG	50661-425-670	002
12	RUB, PILLION FOOTPEG	50716-371-660	
	(replaces 50710-377-000)		002
13	BRACKET	50711-415-010	002
14	WASHER	50712-413-000	002
15	BAR, PILLION FOOTPEG	50715-413-000	002
16	BRACKET, BUCKLE	81279-MA1-000	002
17	BOLT, SOCKET (10X25)	90117-ME8-000	
	(replaces 90117-449-000)		002
18	BOLT, HEX. (6X16)	92101-06016-0A	
	(replaces 92000-06016-0A)		
	(replaces 92000-06016-1A)		
	(replaces 92100-06016-0A)		
	(replaces 92200-06016-0A)		002
19	WASHER, PLAIN (6MM)	94101-06800	
	(replaces 94101-06000)		
	(replaces 94101-06080)		002
20	WASHER, PLAIN (8MM)	94101-08000	002
21	PIN, COTTER (1.6X25)	94201-16250	
	(replaces 94201-16150)		004
22	PIN B	95015-82000	002
23	BOLT, FLANGE (6X12)	95701-06012-07	
	(replaces 95700-06012-07)		002
24	BOLT, FLANGE (10X20)	95701-10020-00	

(replaces 95700-10020-00) 002

## Forks & Wire Box

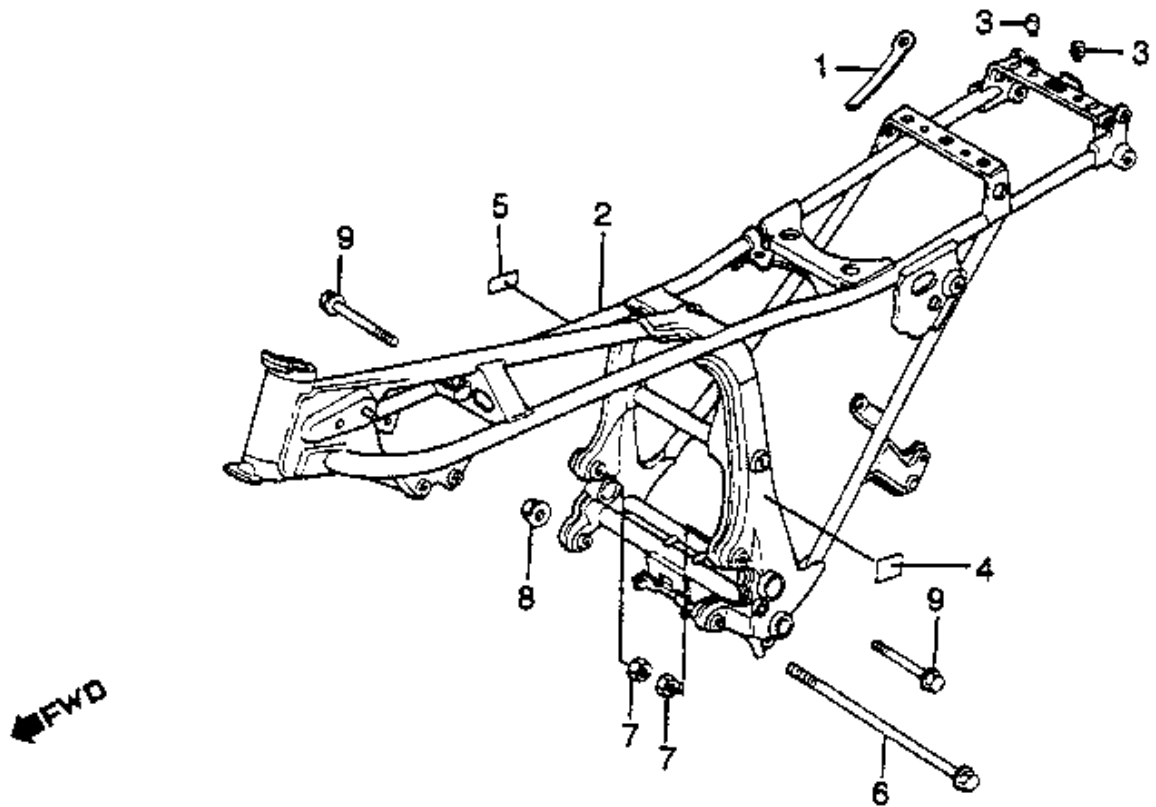


REF#	PART		#REQ
01	FORK ASSY., R. FR.	51400-MA1-771	001
02	SPRING A, FR. FORK	51401-449-751	002
03	SPRING B, FR. FORK	51402-MA1-003	002
04	PIPE, FR. FORK	51410-MA1-003	002
05	SPRING, FR.	51412-340-000	002
06	RING, BACK-UP	51412-422-003	
	(replaces	51412-422-405)	
	(replaces	51412-428-305)	
	(replaces	51412-428-315)	002
07	PLATE, BACK-UP	51413-469-003	002
08	BUSH, GUIDE	51414-469-003	002
09	BUSH, SLIDER	51415-469-003	002
10	CASE, R. (LOWER)	51421-MA1-771	001
11	PIECE, OIL LOCK	51432-461-771	002
12	RING, PISTON	51437-400-771	002
13	PIPE, SEAT	51440-MA1-003	002
14	CIRCLIP (51.5MM)	51447-469-003	002
15	BOLT ASSY., FR. FORK	51450-MA5-671	001
16	VALVE, AIR	51456-469-013	001
17	CAP ASSY., AIR VALVE	51457-469-000	001
18	FORK ASSY., L. FR.	51500-MA1-003	001
19	CASE, L. (LOWER)	51521-460-701	001
20	BOLT, L. FR. FORK	51555-MA5-671	001
21	BAND	51602-MA1-770	002
22	STAY, CONNECTOR HOLD	51603-MA1-770	002
23	COVER, HOLDER	51605-MA1-770	001
24	HOSE, FR. FORK JOINT	53137-461-003	001
25	CONNECTOR	53139-463-000	001
26	HOLDER, CONNECTOR	61305-463-770	001
27	BOLT, SOCKET (8X27)	90116-383-721	
	(replaces	90116-283-010)	002
28	WASHER (16MM)	90504-356-000	002
29	GASKET, FR.	90543-273-000	002
30	WASHER (8MM)	90544-283-000	002
31	DUST SEAL (35MM)	91254-434-003	002
32	OIL SEAL (35X48X11)	91255-KBH-003	



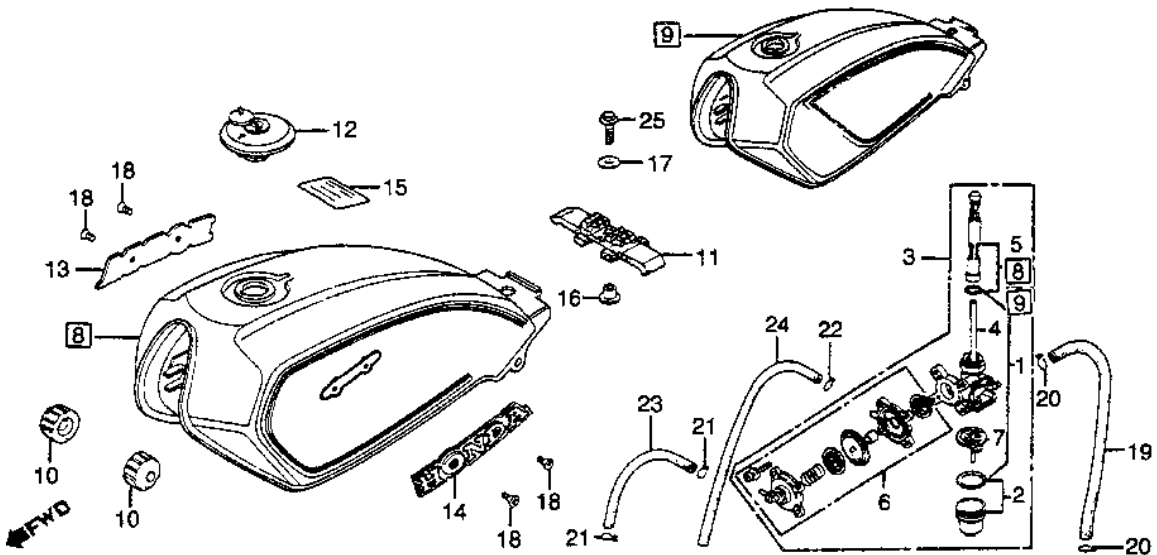
		(replaces 91255-434-013)	
		(replaces 91255-MA6-013)	002
33	O-RING (5.8X1.9)	91305-323-000	
		(replaces 91301-469-003)	003
33	O-RING (5.6X1.9)	91318-ME5-003	003
34	O-RING (25.7X2.8)	91356-428-003	002
35	BOLT, HEX. (6X8)	92101-06008-0A	
		(replaces 92000-06008)	
		(replaces 92000-06008-0A)	002
36	BOLT, STUD (8X50)	92700-08050-0E	
		(replaces 92700-08050)	
36	BOLT, STUD (8X50)	92700-08050-00	
36	BOLT, STUD (8X50)	92700-08050-05	
		(replaces 92700-08050-0B)	
36	BOLT, STUD (8X32)	92900-08032-0E	004
37	NUT, HEX. (8MM)	94030-08000	004
38	NUT, FLANGE (6MM)	94050-06000	002
39	WASHER, PLAIN (8MM)	94101-08000	004
40	WASHER, SPRING (8MM)	94111-08000	004
41	HOLDER 1C, FR.	95014-41000	002
42	BOLT, FLANGE (6X14)	95701-06014-00	
		(replaces 95700-06014-00)	002

# Frame



REF#	PART		#REQ
01	CLIP, SUB-WIRE	32901-MA1-000	001
02	FRAME *NH1*	50100-MA1-000ZA	001
03	RUBBER B	77206-329-000	002
04	LABEL	87508-MA1-770	001
05	LABEL, RR.	87518-MA1-670	001
06	BOLT, FLG (12X308)	90110-415-000	001
07	NUT, HEX. (10MM)	94030-10000	002
08	NUT, FLANGE (12MM)	94050-12000	001
09	BOLT, FLANGE (10X70)	95801-10070-00	
	(replaces 95800-10070-00)		002

## Fuel Tank & Petcock



REF#	PART		#REQ
03	VALVE ASSY., AUTO	16950-MC9-830	
		(replaces 16950-MA1-003)	
		(replaces 16950-MA1-731)	
		(replaces 16950-MA1-732)	
04	BODY, PETCOCK	16951-449-751	
05	SCREEN SET	16952-461-771	001
06	COVER SET, PETCOCK	16953-ME5-005	
		(replaces 16953-449-751)	001
09	TANK, FUEL *R104CU*	175A1-MA1-770ZA	001
09	TANK, FUEL *B100MU*	175A1-MA1-770ZB	001
10	RUB, FR. FUEL TANK	17611-KE8-000	
		(replaces 17611-286-000)	002
11	RUB, RR. FUEL TANK	17613-MA1-000	001
12	CAP, FUEL FILLER	17620-460-067	
		(replaces 17620-460-027)	
		(replaces 17620-460-037)	
		(replaces 17620-460-047)	
		(replaces 17620-460-057)	001
15	LABEL *NH0* (TYPEW)	87560-181-760ZB	
16	COLLAR	90324-MA1-000	001
17	WASHER (8.3MM)	90534-011-000	001
19	BULK HOSE (7.5X8000)	95001-75008-60M	
20	CLIP, TUBE (B7)	95002-02070	002
21	CLIP, TUBE (B12)	95002-02120	002
22	CLIP, TUBE (C6.5)	95002-35000	001
23	BULK HOSE (3.5X1000)	95005-35001-20M	001
24	BULK HOSE (3.5X1000)	95005-35001-30M	001
25	BOLT, FLANGE (8X28)	95701-08028-08	
		(replaces 95700-08028-08)	001

## Gasket Kit A

(Image Not Available)

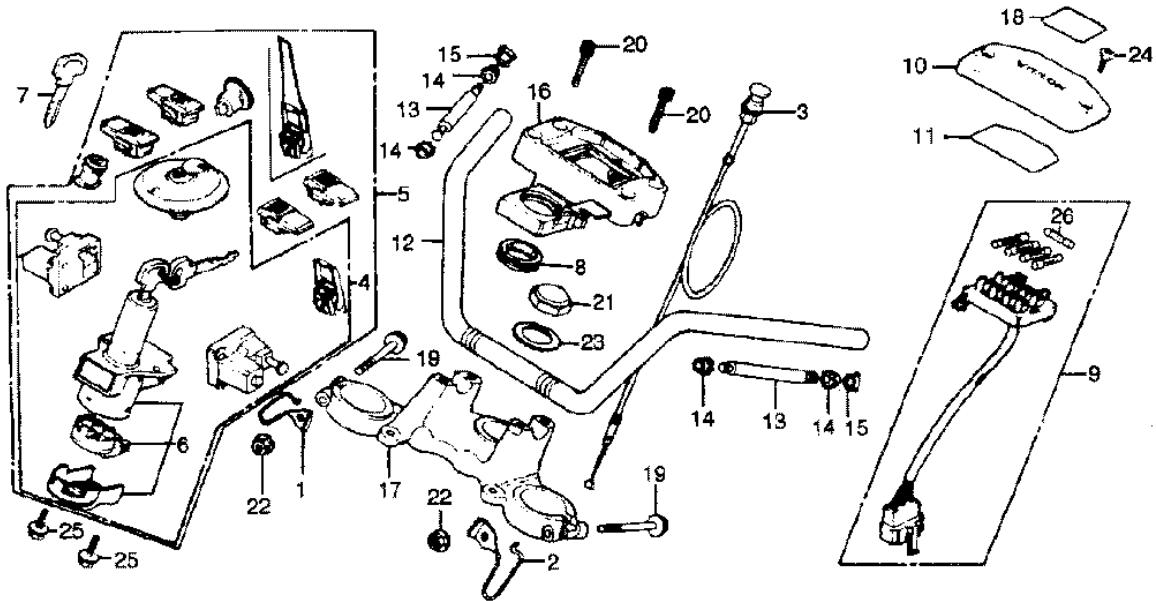
REF#	PART		#REQ
00	GASKET KIT A	061A1-MA1-T20	
		(replaces 061A1-MA1-000)	
		(replaces 061A1-MA1-T00)	001
01	SEAL, VALVE STEM	12209-MB9-003	
		(replaces 12209-300-003)	008
02	GASKET	12230-415-306	
		(replaces 12230-415-000)	
		(replaces 12230-449-700)	001
03	GASKET, CYL HD	12251-415-306	
		(replaces 12251-415-014)	
		(replaces 12251-415-024)	
		(replaces 12251-415-034)	002
04	GASKET, HEAD COVER	12328-415-000	002
05	GASKET, PLUG HOLE	12329-415-000	002
06	GASKET, EX. PIPE	18291-286-306	
		(replaces 18291-286-000)	002
07	O-RING (6.9X1.5)	91302-044-013	002
08	O-RING (21.9X2.3)	91301-MB6-003	
		(replaces 91302-371-013)	
		(replaces 91302-371-023)	005
09	O-RING (53.8X3.1)	91302-657-000	001
10	O-RING (13.5X1.4)	91307-PH7-660	
		(replaces 91307-611-000)	001
11	O-RING (6.5X3.1)	91312-415-000	001
12	O-RING (40X2.4)	91325-413-830	
		(replaces 91325-567-005)	002
13	O-RING (23X2.8)	94608-50000	002

## Gasket Kit B

(Image Not Available)

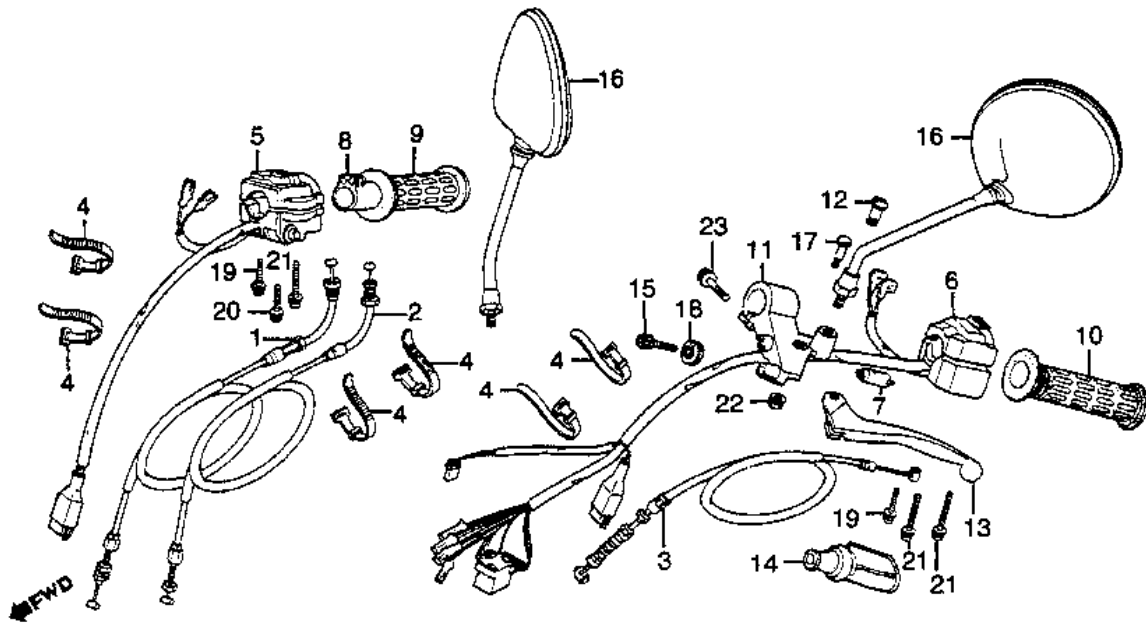
REF#	PART		#REQ
00	GASKET KIT B	061B1-MA1-T00	
		(replaces 061B1-MA1-000)	001
01	GASKET, CLUTCH COVER	11372-449-306	
		(replaces 11372-415-000)	
		(replaces 11372-449-700)	001
02	GASKET, TRANS CVR	11391-449-306	
		(replaces 11391-415-000)	
		(replaces 11391-449-700)	001
03	GASKET, RR. COVER	11394-449-306	
		(replaces 11394-415-010)	
		(replaces 11394-449-701)	001
04	GASKET	11396-415-000	001
05	O-RING (11.8X2.4)	91302-ZE9-003	
		(replaces 16997-357-003)	
		(replaces 91302-ZE9-000)	
		(replaces 91320-HA5-000)	
		(replaces 91320-HA5-003)	002
05	O-RING (11.8X2.4)	91320-MJ6-003	002
06	GASKET A	30373-MA1-306	
		(replaces 30373-MA1-000)	001
07	O-RING (22X3.0)	91307-425-003	
		(replaces 91301-250-000)	001
08	O-RING (13.6X2.4)	91301-268-020	004
09	O-RING (27.5X2.6)	91302-001-710	
		(replaces 91302-001-000)	002
10	O-RING (15X2.5)	91302-377-000	002
11	O-RING (8X1.7)	91306-HB3-003	
		(replaces 91303-001-000)	001
12	O-RING (24.4X3.1)	91312-MG7-003	
		(replaces 91309-300-000)	
		(replaces 91309-425-003)	001
13	O-RING (81X4.5)	91315-MA6-003	
		(replaces 91311-415-000)	001
14	O-RING (23X2.8)	94608-50000	002

## Handlebar & Top Bridge & Fuse Panel & Lockset



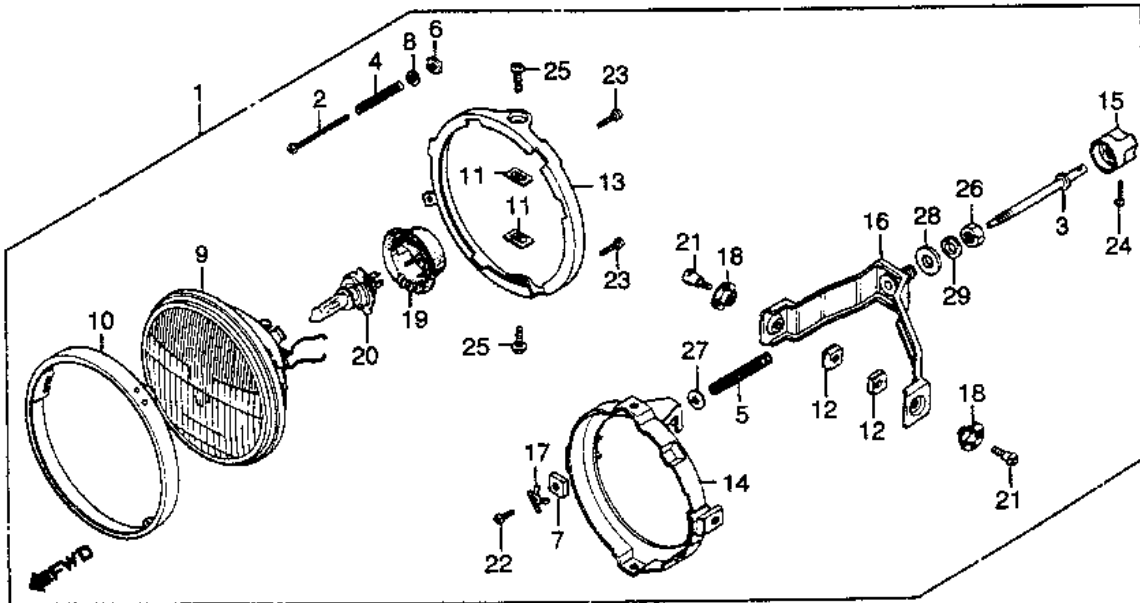
REF#	PART		#REQ
01	GUIDE, R. CABLE	17908-MA1-000	001
02	GUIDE, L. CABLE	17918-MA1-000	001
03	CABLE, CHOKE	17950-MA1-000	001
05	LOCK SET	35010-MA1-770	001
06	SWITCH, COMBINATION	35100-431-047	001
08	RUBBER	37623-415-000	001
09	PLATE ASSY., FUSE	38200-449-505	
	(replaces	38200-425-005)	
	(replaces	38200-425-405)	001
10	COVER, FUSE PLATE	38210-425-000	001
11	LABEL, FUSE	38215-425-000	001
12	HANDLEBAR	53100-MA1-000	001
13	WEIGHT, HANDLEBAR	53106-MA1-000	002
14	RUB, HANDLE WEIGHT	53107-415-000	004
15	RING	53108-MK4-000	
	(replaces	53108-415-004)	002
16	HLDR, HANDLE (UPPER)	53131-MA1-000	001
17	BRIDGE, FORK TOP	53230-MA1-000	001
18	LABEL, FR.	87517-445-630	001
19	BOLT, FLANGE (7X54)	90155-369-000	002
20	BOLT (8X32)	90185-371-000	004
21	NUT, STEERING STEM	90304-415-000	001
22	NUT, FLANGE (7MM)	90355-369-000	002
23	WASHER	90503-283-000	001
24	SCREW, OVAL (5X16)	93700-05016-0G	002
25	BOLT, FLANGE (6X14)	95701-06014-00	
	(replaces	95700-06014-00)	002
26	FUSE B (10A)	98200-21000	005

## Handlebar Controls



REF#	PART		#REQ
01	CABLE A, THROTTLE	17910-MA1-000	001
02	CABLE B, THROTTLE	17920-MA1-000	001
03	CABLE, CLUTCH	22870-ME2-000	
		(replaces 22870-MA1-000)	001
04	BAND B1, CABLE	32161-404-000	006
05	SWITCH ASSY.	35130-MA1-670	001
06	SWITCH, TURN SIGNAL	35200-MA1-770	
		(replaces 35200-MA1-670)	001
07	SWITCH, FR. LEVER	35330-413-003	001
08	PIPE, THROTTLE GRIP	53141-300-010	001
09	GRIP, R. HANDLEBAR	53165-390-780	001
10	GRIP, L. HANDLEBAR	53166-390-780	001
11	BRKT, L. HANDLEBAR	53172-425-003	001
12	PLUG	53174-116-670	002
13	LEVER, L. HANDLE	53178-461-000	
		(replaces 53178-425-003)	001
14	BOOT, HANDLEBAR	53180-425-010	
		(replaces 53180-425-000)	001
15	BOLT, CABLE ADJ.	53192-422-000	
		(replaces 53192-425-000)	001
17	BOLT, L.	90113-422-000	001
18	NUT, FIXING	90321-422-000	001
19	SCREW-WASHER (5X30)	93891-05030-07	002
20	SCREW-WASHER (5X40)	93891-05040-07	001
21	SCREW-WASHER (5X45)	93891-05045-07	003
22	NUT, FLANGE (6MM)	94050-06000	001
23	BOLT, FLANGE (6X25)	95701-06025-07	
		(replaces 95700-06025-07)	001

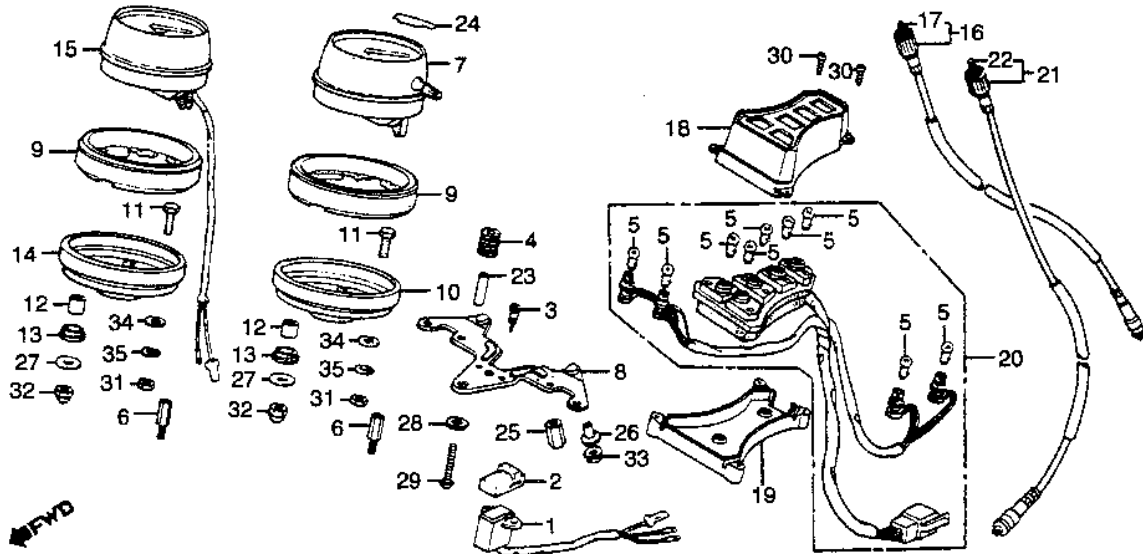
# Headlight



REF#	PART		#REQ
01	HDLT (12V 60/55W)	33100-463-771	001
02	SCREW	33103-346-670	001
03	SCREW	33103-MJ3-000	
		(replaces 33103-463-771)	001
04	SPRING	33107-300-003	001
05	SPRING	33107-463-771	001
06	NUT	33117-001-023	001
07	NUT, BEAM ADJUSTING	33117-463-771	001
08	WASHER	33119-371-003	001
09	HEADLIGHT UNIT	33120-431-671	001
10	RING, RETAINING	33121-463-771	001
11	NUT, UNIT HOLDER	33128-292-670	002
12	NUT, UNIT HOLDER	33128-463-771	002
13	RING A, SETTING	33153-463-771	001
14	RING B, SETTING	33154-463-771	001
15	KNOB, BEAM ADJUSTING	33155-463-771	001
16	BRACKET, HEADLIGHT	33156-463-771	001
17	WASHER, SPRING	33157-463-771	001
18	WASHER, HEADLIGHT	33165-463-771	002
19	COVER, RUBBER	33180-422-003	001
20	BULB (12V60/55W)	34901-MC7-601AH	
		(replaces 34901-371-601)	
		(replaces 34901-MC7-601)	001
21	SCREW, PAN (5X10)	90150-463-771	002
22	SCREW, PAN (3X8)	93500-03008-0H	001
23	SCREW, PAN (3X12)	93500-03012-0A	
		(replaces 93500-03012-1A)	002
24	SCREW, PAN (3X14)	93500-03014-0G	001
25	SCREW, PAN (5X8)	93500-05008-0H	002
26	NUT, HEX. (12MM)	94002-12080-0S	001
27	WASHER, PLAIN (6MM)	94101-06800	001
28	WASHER, PLAIN (12MM)	94101-12800	001
29	WASHER (12MM)	94111-12800	001



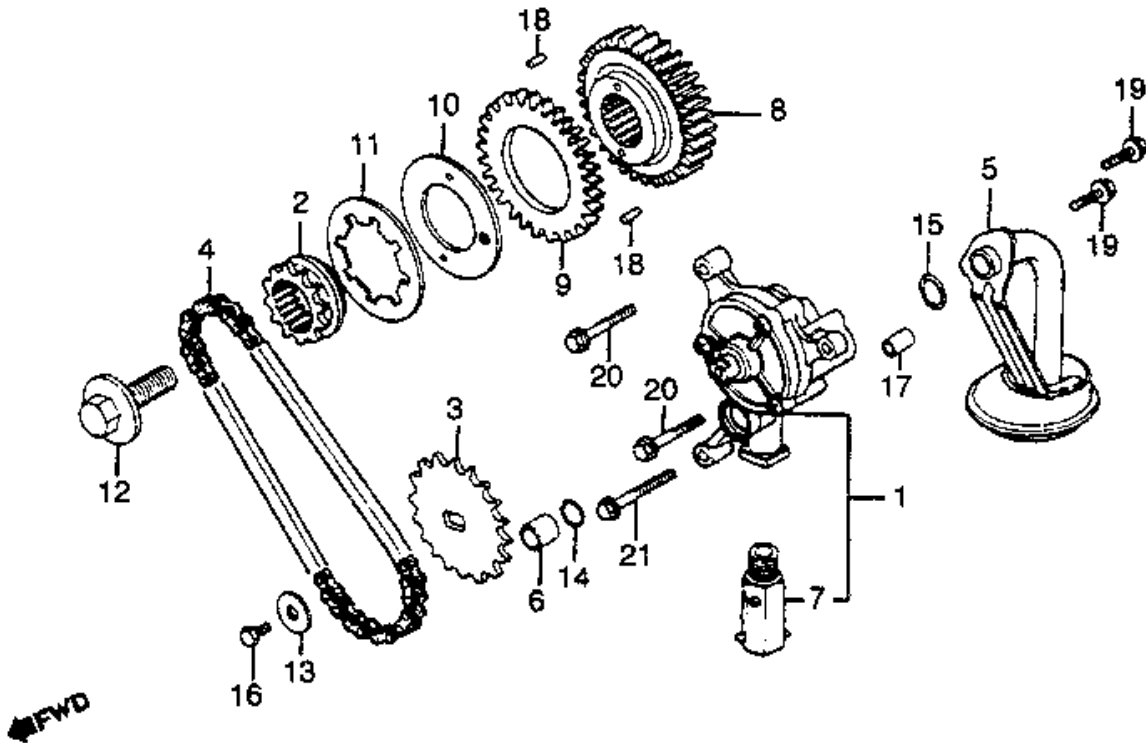
## Instruments: Speedometer & Tachometer & Lights



REF#	PART		#REQ
01	REGULATOR (7V)	31410-449-018	001
02	SUSPENSION	31412-449-000	001
03	STOPPER	32701-392-700	002
04	GROM, METER BRACKET	32702-392-700	002
05	BULB, DASH (12V3.4W)	34902-259-000	009
06	BOLT, HOOD	37107-MA1-770	002
07	SPEEDOMETER ASSY.	37200-449-752	001
08	BRACKET, METER	37211-MA1-000	001
09	RUBBER, SPEEDOMETER	37235-323-700	002
10	PLATE, SPEEDOMETER	37236-426-000	001
11	BOLT (6MM)	37238-323-700	004
12	COLLAR	37243-323-700	004
13	RUB, METER SETTING	37244-307-670	004
14	PLATE, TACHOMETER	37246-426-000	001
15	TACHOMETER ASSY.	37250-449-750	001
16	CABLE, TACHOMETER	37260-MA1-730	
	(replaces	37260-MA1-000)	001
17	CABLE, TACHOMETER	37261-MA1-000	001
18	COVER, PILOT (UPPER)	37610-MA1-008	001
19	COVER, PILOT (LOWER)	37617-MA1-008	001
20	SOCKET ASSY., RUBBER	37619-MA1-731	
	(replaces	37619-MA1-671)	001
21	CABLE, SPEEDOMETER	44830-426-830	
	(replaces	44830-300-672)	
	(replaces	44830-356-000)	
	(replaces	44830-392-000)	
	(replaces	44830-431-670)	
	(replaces	44830-MA1-000)	
	(replaces	44830-MA1-730)	
	(replaces	44830-MC0-670)	001
22	CABLE (INNER)	44831-GE0-710	
	(replaces	44831-MA1-000)	001
23	COLLAR	84706-375-000	002
24	LABEL	87523-413-710	001
25	NUT (6X15)	90282-329-690	002
27	WASHER (6.5X18)	90545-323-700	004
28	WASHER (20MM)	90581-349-690	002

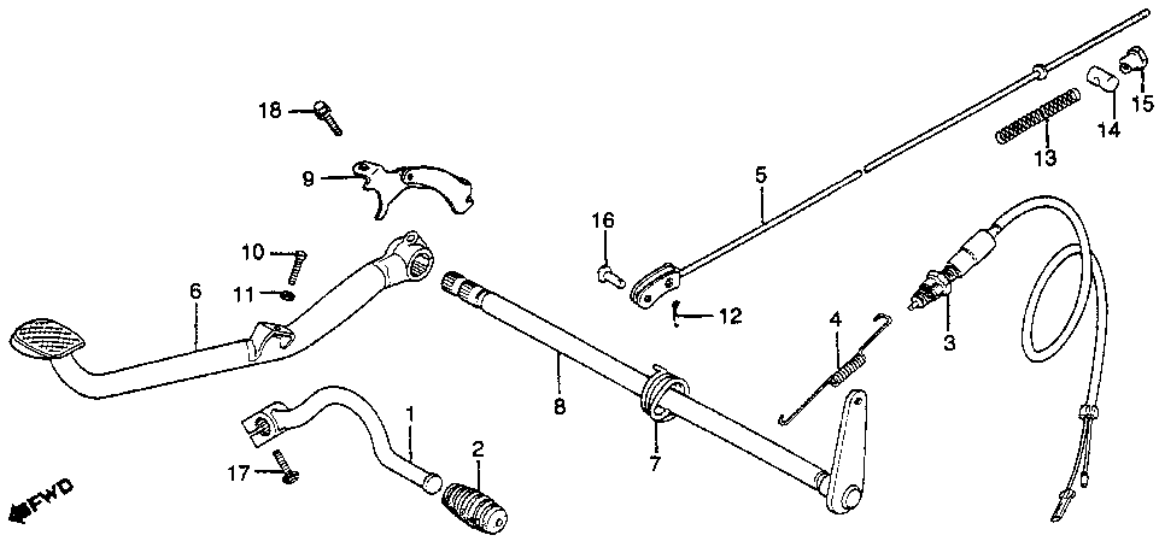
29	SCREW, PAN (5X28)	93500-05028-0G	002
30	SCREW, TAP (4X12)	93901-34380	004
31	NUT, HEX. (6MM)	94001-06070-0S	002
32	NUT, CAP (6MM)	94021-06020	
	(replaces	94021-06020-0S)	
	(replaces	94022-06020)	004
34	WASHER, PLAIN (6MM)	94101-06700	004
35	WASHER, SPRING (6MM)	94111-06700	004

## Oil Pump & Primary Drive Gear



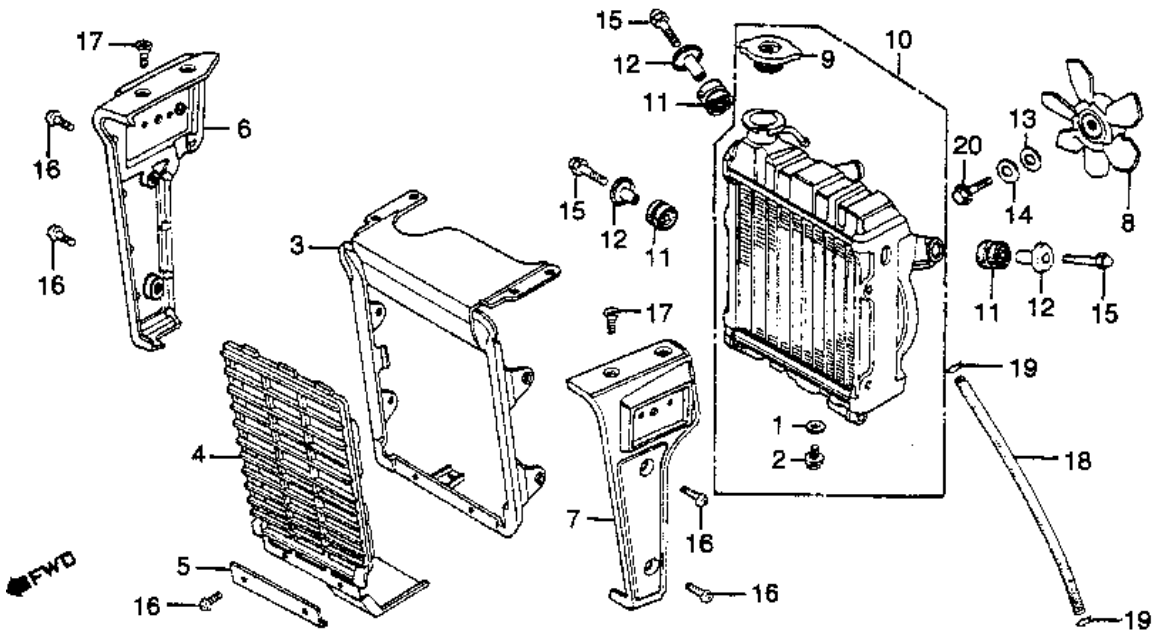
REF#	PART		#REQ
01	PUMP ASSY., OIL	15100-MA1-000	001
02	SPROCKET	15115-415-000	001
03	SPROCKET	15116-415-000	001
04	CHAIN, OIL PUMP	15140-415-003	001
05	BODY, OIL STRAINER	15141-MA1-000	001
06	COLLAR, O-RING	15155-300-000	001
07	VALVE ASSY., RELIEF	15220-415-000	001
08	GEAR (33T)	23121-449-000	001
09	SUB-GEAR (32T)	23122-415-000	001
10	PLATE, SIDE	23123-415-000	001
11	SPRING, DISK	23124-MA1-000	001
12	BOLT, UBS (12X28)	90013-415-000	001
13	WASHER	90486-028-000	001
14	O-RING (13.6X2.4)	91301-268-020	001
15	O-RING (15X2.5)	91302-377-000	001
16	BOLT, HEX. (6X8)	92101-06008-0A	
	(replaces 92000-06008)		
	(replaces 92000-06008-0A)		001
17	PIN, DOWEL (8X14)	94301-08140	001
18	PIN, DOWEL (3X5)	94302-03050	002
19	BOLT, FLANGE (6X14)	95701-06014-00	
	(replaces 95700-06014-00)		002
20	BOLT, FLANGE (6X25)	95701-06025-00	
	(replaces 95700-06025-00)		002
21	BOLT, FLANGE (6X32)	95701-06032-00	
	(replaces 95700-06032-00)		001

## Pedal, Brake & Shift Pedal



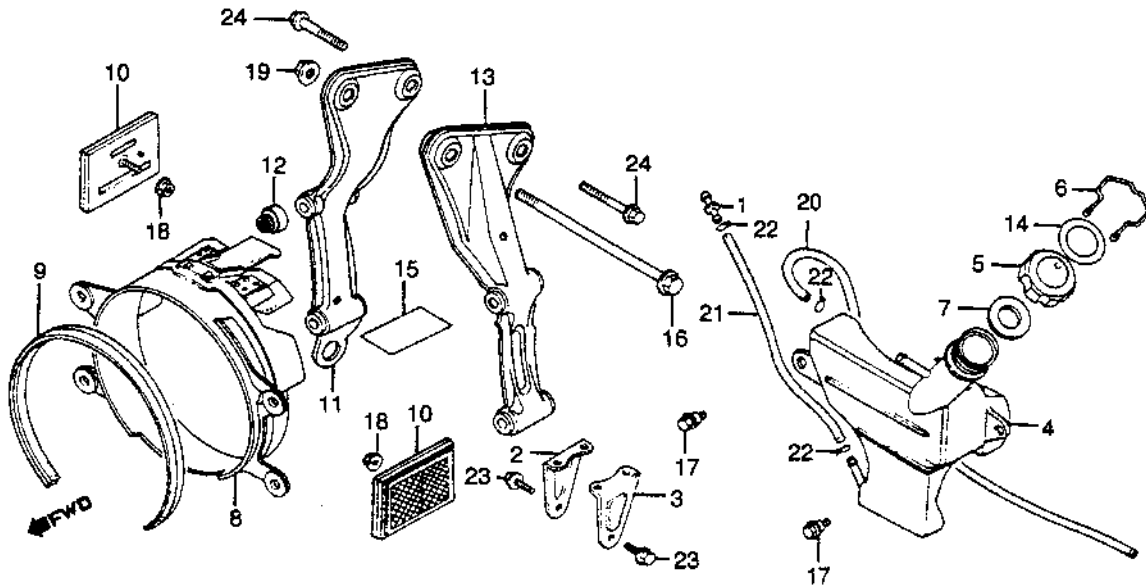
REF#	PART		#REQ
01	PEDAL, GEARSHIFT	24700-MA1-000	001
02	RUBBER, GEARSHIFT	24781-449-000	001
03	SWITCH, RR. STOP	35350-MA1-405	
	(replaces 35350-MA1-003)		001
04	SPRING, STOP SWITCH	35357-MJ1-000	
	(replaces 35357-MA1-000)		001
05	ROD, RR. BRAKE	43450-405-000	
	(replaces 43450-MA1-000)		001
06	PEDAL, RR. BRAKE	46500-MA1-000	001
07	SPRING, RR. BRAKE	46514-MA1-000	001
08	SHAFT, RR.	46515-MA1-000	001
09	ARM, RR. STOP SWITCH	50313-MA1-000	001
10	BOLT, HEX. (6X25)	92035-06025-0H	001
11	NUT, HEX. (6MM)	94001-06200-0S	
	(replaces 90310-KA3-711)		
	(replaces 94000-06000-0S)		
	(replaces 94001-06000)		
	(replaces 94001-06000-0S)		
	(replaces 94001-06008-0S)		
	(replaces 94030-06000)		001
12	PIN, SPLIT (1.6X12)	94201-16120	001
13	SPRING A, BRAKE ROD	95014-73100	001
14	JOINT, BRAKE ARM	95015-32001	001
15	NUT B	95015-42000	001
16	PIN B	95015-52000	001
17	BOLT, FLANGE (6X20)	95701-06020-00	
	(replaces 95700-06020)		
	(replaces 95700-06020-00)		
	(replaces 95900-06020-00)		001
18	BOLT, FLANGE (6X28)	95700-06028-00	001

## Radiator & Cooling Fan & Grille



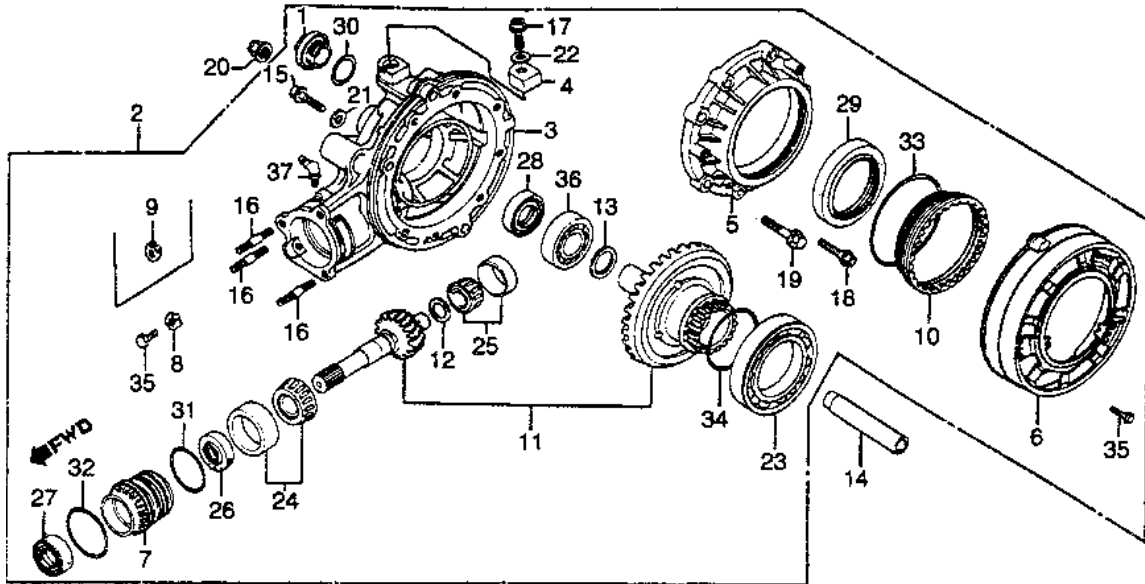
REF#	PART		#REQ
01	GASKET, DRAIN	19012-ZB5-003	
		(replaces 19012-611-003)	
		(replaces 19012-PA0-003)	001
02	VALVE, DRAIN	19013-415-004	001
03	COVER, RADIATOR	19031-MA1-000	001
04	GRILLE, RADIATOR	19032-449-000	001
05	COVER, RADIATOR	19033-470-670	001
08	FAN, COOLING	19040-MA1-000	001
09	CAP, RADIATOR	19045-692-003	
		(replaces 19045-449-770)	
		(replaces 19045-634-003)	
		(replaces 19045-PA0-014)	001
10	RADIATOR ASSY.	19110-MC5-004	
		(replaces 19110-MA1-004)	001
11	RUBBER	19115-415-000	003
12	COLLAR	19119-449-000	003
13	WASHER, LOCK	90401-MA1-000	
		(replaces 90401-415-000)	001
14	WASHER (8.5X22X2.3)	90509-642-000	001
15	BOLT, CAP (6X32)	92600-06032-0B	003
16	SCREW, PAN (6X12)	93500-06012-0B	004
17	SCREW, FLAT (6X12)	93600-06012-0B	004
18	BULK HOSE (7.5X8000)	95001-75008-60M	001
19	CLIP, TUBE (B12)	95002-02120	002
20	BOLT, FLANGE (8X28)	95701-08028-00	
		(replaces 95700-08028-00)	001

## Radiator Shroud & Coolant Reserve Tank & Engine Hangers



REF#	PART		#REQ
01	JOINT, BREATHER TUBE	17359-419-670	001
02	STAY, R.	19032-MA1-770	001
03	STAY, L.	19042-MA1-770	001
04	TANK, RESERVE	19103-MA1-000	001
05	CAP, RESERVE TANK	19104-415-000	001
06	CABLE, CAP LOCK	19105-415-000	001
07	GASKET, RESERVE TANK	19106-415-000	001
08	SHROUD, RADIATOR	19113-415-020	
	(replaces	19113-415-010)	001
09	GASKET	19114-415-000	001
11	BRKT, R. FR. ENG HGR	50310-MA1-000	001
13	BRKT, L. FR. ENG HGR	50320-MA1-000	001
14	LABEL, RESERVE TANK	87507-415-670	001
16	BOLT, FLG (12X225)	90111-MA1-000	001
17	BOLT, FLANGE (6MM)	90111-162-000	002
19	NUT, FLANGE (12MM)	94050-12000	001
20	BULK HOSE (7.5X8000)	95001-75008-60M	001
21	BULK HOSE (7.5X8000)	95001-75008-60M	001
22	CLIP, TUBE (B12)	95002-02120	003
23	BOLT, FLANGE (6X10)	95701-06010-00	
	(replaces	95700-06010-00)	002
24	BOLT, FLANGE (10X40)	95801-10040-00	002
24	BOLT, FLANGE	95814-10040-00	
	(replaces	95801-10040-00)	002

## Rear End

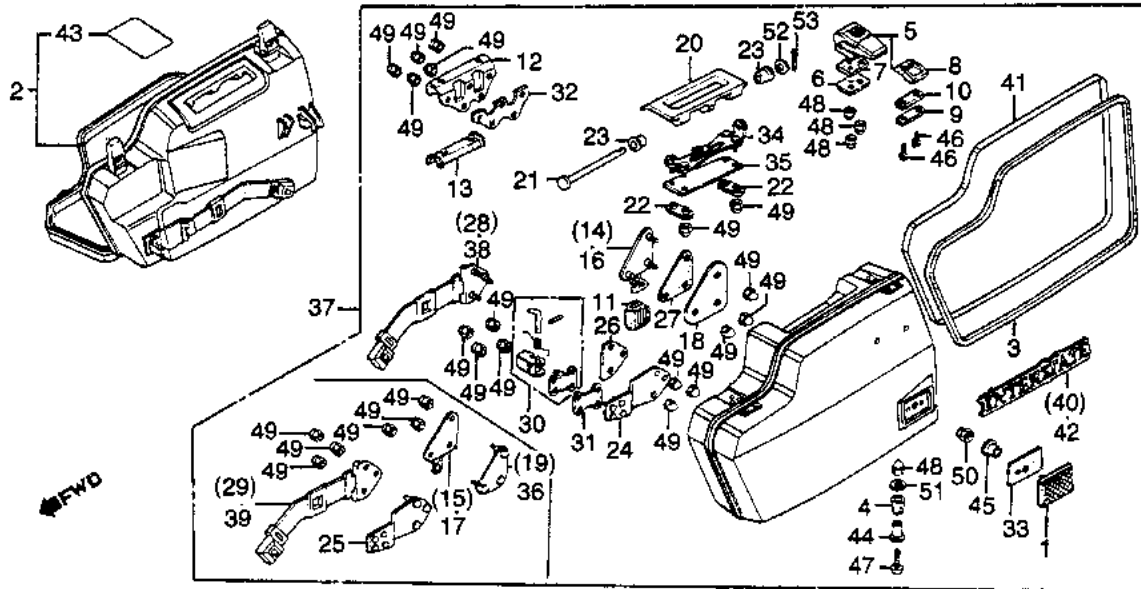


REF#	PART		#REQ
01	CAP, VALVE ADJ.	12361-300-000	
		(replaces 12361-035-000)	
		(replaces 12361-371-980)	001
02	GEAR, FINAL DRIVEN	41300-MA1-000	001
03	CASE, FINAL GEAR	41301-MA1-000	001
04	CAP, BREATHER	41306-415-000	001
05	COVER, L. CASE	41321-415-000	001
06	PLATE, DUST GUARD	41324-415-000	001
07	RETAINER B, BEARING	41331-415-000	001
08	LOCK A, BEARING ADJ.	41332-415-000	001
09	LOCK B, BEARING ADJ.	41333-415-000	001
10	RETAINER A, BEARING	41351-371-000	001
11	GEAR SET	414A3-MA1-000	001
12	SHIM A (1.10)	41450-415-000	001
12	SHIM B (1.14)	41451-415-000	001
12	SHIM C (1.18)	41452-415-000	001
12	SHIM D (1.22)	41453-415-000	001
12	SHIM E (1.26)	41454-415-000	001
12	SHIM F (1.30)	41455-415-000	001
12	SHIM G (1.34)	41456-415-000	001
12	SHIM H (1.38)	41457-415-000	001
12	SHIM I (1.42)	41458-415-000	001
12	SHIM J (1.46)	41459-415-000	001
12	SHIM K (1.50)	41460-415-000	001
12	SHIM L (1.54)	41461-415-000	001
12	SHIM M (1.58)	41462-415-000	001
12	SHIM N (1.62)	41463-415-000	001
12	SHIM O (1.66)	41464-415-000	001
12	SHIM P (1.70)	41465-415-000	001
12	SHIM Q (1.74)	41466-415-000	001
12	SHIM R (1.78)	41467-415-000	001
12	SHIM S (1.82)	41468-415-000	001
12	SHIM T (1.86)	41469-415-000	001
12	SHIM U (1.90)	41470-415-000	001
13	SHIM A (1.80)	41510-415-000	001
13	SHIM B (1.84)	41511-415-000	001

13	SHIM C (1.88)	41512-415-000	001
13	SHIM D (1.92)	41513-415-000	001
13	SHIM E (1.96)	41514-415-000	001
13	SHIM F (2.00)	41515-415-000	001
13	SHIM G (2.04)	41516-415-000	001
13	SHIM H (2.08)	41517-415-000	001
13	SHIM I (2.12)	41518-415-000	001
13	SHIM J (2.16)	41519-415-000	001
13	SHIM K (2.20)	41520-415-000	001
13	SHIM L (2.24)	41521-415-000	001
13	SHIM M (2.28)	41522-415-000	001
13	SHIM N (2.32)	41523-415-000	001
14	COLLAR, RR.	42623-MA1-000	001
15	BOLT, SEALING (8MM)	90109-371-000	001
16	BOLT, STUD (10X45)	90125-371-000	003
17	BOLT, BREATHER	90126-415-000	001
18	BOLT, FLANGE (8X32)	90133-371-000	006
19	BOLT, FLANGE (10X38)	90134-371-000	002
20	NUT, U (14MM)	90305-GE8-003	
		(replaces 90305-MA1-003)	001
21	GASKET (8MM)	90471-580-000	001
22	WASHER, OIL BOLT	90545-300-000	001
23	BEARING (6914)	91051-371-004	
		(replaces 91051-371-003)	
		(replaces 91051-371-005)	001
24	BEARING (30205)	91061-371-003	001
25	BEARING (30203)	91121-PH8-961	
		(replaces 91062-415-013)	001
26	OIL SEAL (25X40X8)	91261-415-003	001
27	OIL SEAL (33X43X7)	91262-415-003	001
28	OIL SEAL (30X47X7)	91264-415-003	001
29	OIL SEAL (70X90X8)	91265-371-003	001
30	O-RING (30.8MM)	91302-001-020	001
31	O-RING (49.6X3.5)	91353-415-004	
		(replaces 91353-415-003)	001
32	O-RING (53.6X2.4)	91354-415-003	001
33	O-RING (96.5X2.0)	91355-371-003	001
34	O-RING (62.7X4)	91356-415-003	001
35	BOLT, HEX. (6X12)	92101-06012-0A	
		(replaces 92000-06012)	
		(replaces 92101-06012)	004
36	BEARING (6006)	96100-60063-00	001
37	FITTING (B.76S)	96201-80000	001



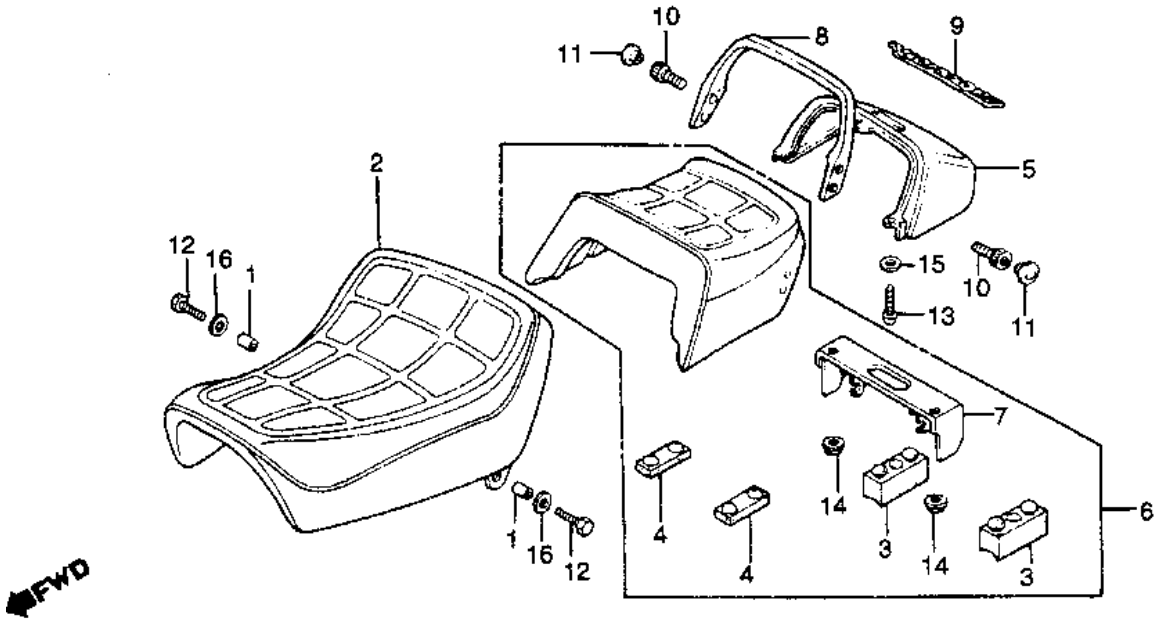
## Saddlebags



REF#	PART		#REQ
01	REFLECTOR, RR.	33741-415-602	
		(replaces 33741-415-601)	002
02	SADDLEBAG *R104CU*	81200-MA1-740ZA	
		(replaces 81200-MA1-770ZA)	001
02	SADDLEBAG *B100MU*	81200-MA1-770ZB	001
03	RUB, SADDLEBAG SEAL	81213-MA1-770	002
04	RUBBER	81215-MA2-000	008
05	LOCK, SADDLEBAG	81220-MA2-000	004
06	PLATE, LOCK	81221-MA2-000	004
07	RUBBER, LOCK SEAL	81222-MA2-000	004
08	HOOK, LOCK	81230-MA2-000	004
09	PLATE A, HOOK	81231-MA2-000	004
10	RUBBER A, HOOK	81233-MA2-000	004
11	RUB, SADDLEBAG GUIDE	81248-MA1-770	002
12	BRACKET	81253-MA1-770	002
13	RUB, FR. SADDLEBAG	81254-MA1-770	002
15	GUIDE, R. SADDLEBAG	81256-MA1-770	001
17	GUIDE, L. SADDLEBAG	81257-MA1-770	001
19	PATCH, R. GUIDE	81259-MA1-770	001
20	GRIP, SADDLEBAG	81260-MA1-770	002
21	PIN, GRIP	81263-MA2-000	002
22	PATCH, GRIP	81265-MA1-770	004
23	COLLAR, SLIDE	81265-MA2-000	004
25	PATCH, BUCKLE	81266-MA1-770	002
26	RUB, BUCKLE SETTING	81268-MA1-770	002
27	RUB, GUIDE SETTING	81269-MA1-770	002
29	PLATE, R. BUCKLE	81271-MA1-770	001
30	HOOK, BUCKLE LOCK	81280-MA1-770	002
31	RUBBER	81286-MA1-770	002
32	RUBBER	81287-MA1-770	002
33	RUBBER	81288-MA1-770	002
34	BASE, GRIP	81290-MA1-770	002
35	RUBBER, GRIP	81291-MA1-770	002
36	PATCH, L. GUIDE	81299-MA1-770	001
37	SADDLEBAG *R104CU*	81400-MA1-740ZA	
		(replaces 81400-MA1-770ZA)	001
37	SADDLEBAG *B100MU*	81400-MA1-770ZB	001

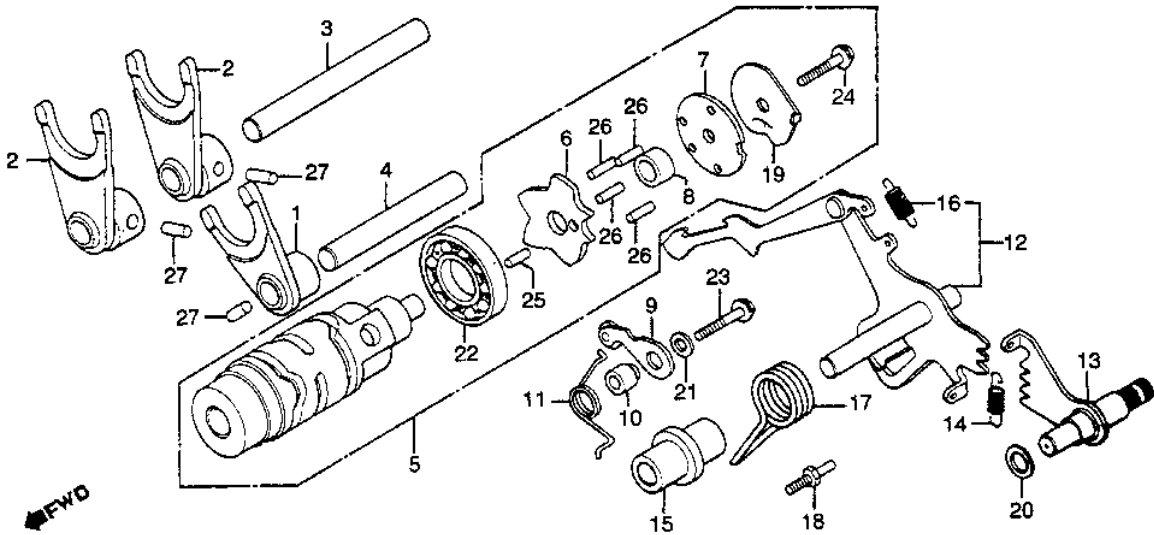
39	PLATE, L. BUCKLE	81471-MA1-770	001
40	EMBLEM, SADDLEBAG	87111-MG9-770	
		(replaces 87124-MA1-770)	001
41	TAPE *R104CU*	87127-MA1-770ZA	004
41	TAPE *B100MU*	87127-MA1-770ZB	004
42	EMBLEM, SADDLEBAG	87111-MG9-770	
		(replaces 87136-MA1-770)	001
43	LABEL	87520-MA1-300	002
44	COLLAR	90130-MA2-000	008
45	WASHER	90563-045-000	002
46	SCREW, PAN (3X6)	93500-03006-0G	008
47	SCREW, PAN (4X16)	93500-04016-0B	
		(replaces 93500-04016-1G)	008
48	NUT, CAP (4MM)	94021-04070-0S	020
49	NUT, CAP (5MM)	94021-05000-0S	038
50	NUT, CAP (6MM)	94021-06020	
		(replaces 94021-06000-0S)	
		(replaces 94021-06020-0S)	
		(replaces 94022-06020)	002
51	WASHER, PLAIN (4MM)	94101-04700	008
52	WASHER, PLAIN (6MM)	94101-06800	
		(replaces 94101-06000)	
		(replaces 94101-06080)	002
53	PIN, LOCK (6MM)	94251-06000	002

## Seats & Rear Cowl



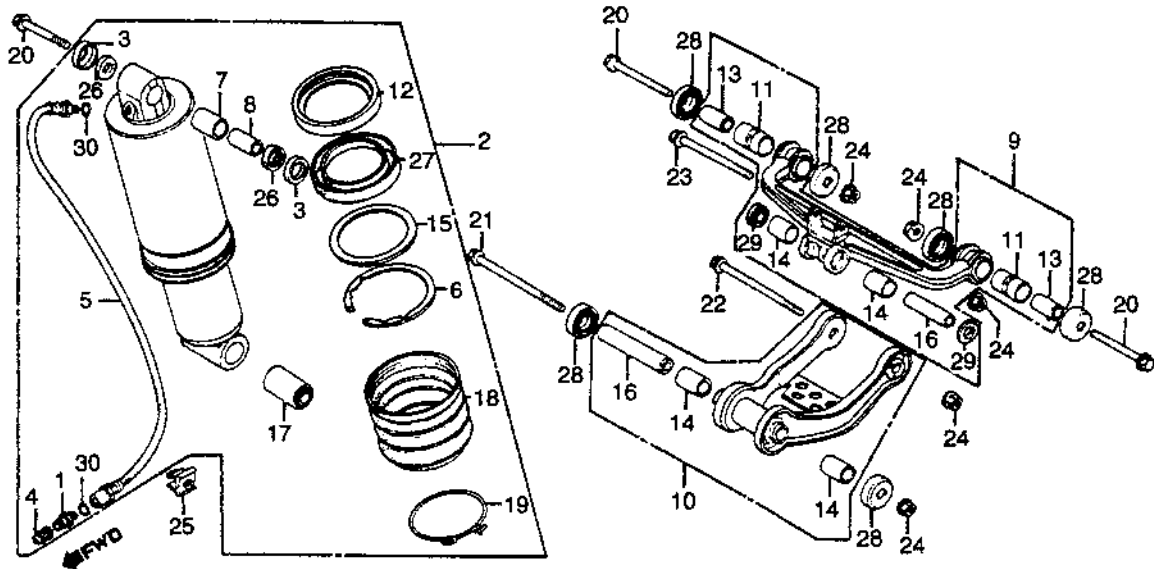
REF#	PART		#REQ
01	COLLAR, METER	37213-GA6-000	002
02	SEAT, SINGLE	77100-MA1-000	001
04	RUBBER, SEAT SETTING	77204-312-000	002
05	COWL, RR. *R104CU*	77250-MA1-000ZA	001
05	COWL, RR. *B100MU*	77250-MA1-000ZB	001
06	SEAT, PILLION	77300-MA1-730	001
	(replaces	77300-MA1-000)	001
07	PLATE, SEAT LOCK	77301-MA1-000	001
08	GRIP, SEAT	77320-MA1-000	001
09	EMBLEM, TRUNK	87123-MA1-000	001
10	BOLT, SOCKET (8X16)	90115-463-000	004
11	CAP, SOCKET BOLT	91456-371-770	004
12	BOLT, HEX. (8X20)	92101-08020-0A	002
	(replaces	92000-08020-0A)	002
13	SCREW, TAP (5X16)	93901-25320	003
14	NUT, FLANGE (6MM)	94050-06080	002
15	WASHER, PLAIN (5MM)	94101-05800	003
16	WASHER, PLAIN (8MM)	94103-08000	002

## Shifter Drum & Forks



REF#	PART		#REQ
01	FORK	24216-413-000	001
02	FORK	24221-413-000	002
02	FORK	24221-449-000	002
03	SHAFT	24241-413-000	001
04	SHAFT	24241-415-000	001
05	DRUM, GEARSHIFT	24300-415-000	001
06	PLATE, DRUM CAM	24303-415-000	001
07	PLATE, DRUM CENTER	24304-415-000	001
08	COLLAR, DRUM CENTER	24305-415-000	001
09	STOPPER	24430-413-000	001
10	COLLAR	24432-413-000	001
11	SPRING, DRUM STOPPER	24435-415-000	001
12	ARM, GEARSHIFT	24610-415-000	001
13	SPINDLE, GEARSHIFT	24620-415-000	001
14	SPRING, GEARSHIFT	24623-415-000	001
15	COLR, GEARSHIFT ARM	24624-415-000	001
16	SPRING	24641-216-000	001
17	SPRING	24651-333-000	001
18	PIN	24652-259-000	001
19	PLATE, POINT	35753-415-000	001
20	WASHER (12MM)	90451-708-000	001
21	WASHER	90486-028-000	001
22	BEARING (16005)	91008-374-003	001
23	BOLT, FLANGE (6X25)	95701-06025-00	001
	(replaces	95700-06025-00)	001
24	BOLT, FLANGE (6X25)	95725-06025-00	001
25	ROLLER (4X11.8)	96220-40118	001
26	ROLLER (4X14)	96220-40140	004
27	ROLLER (6X13)	96220-60130	003

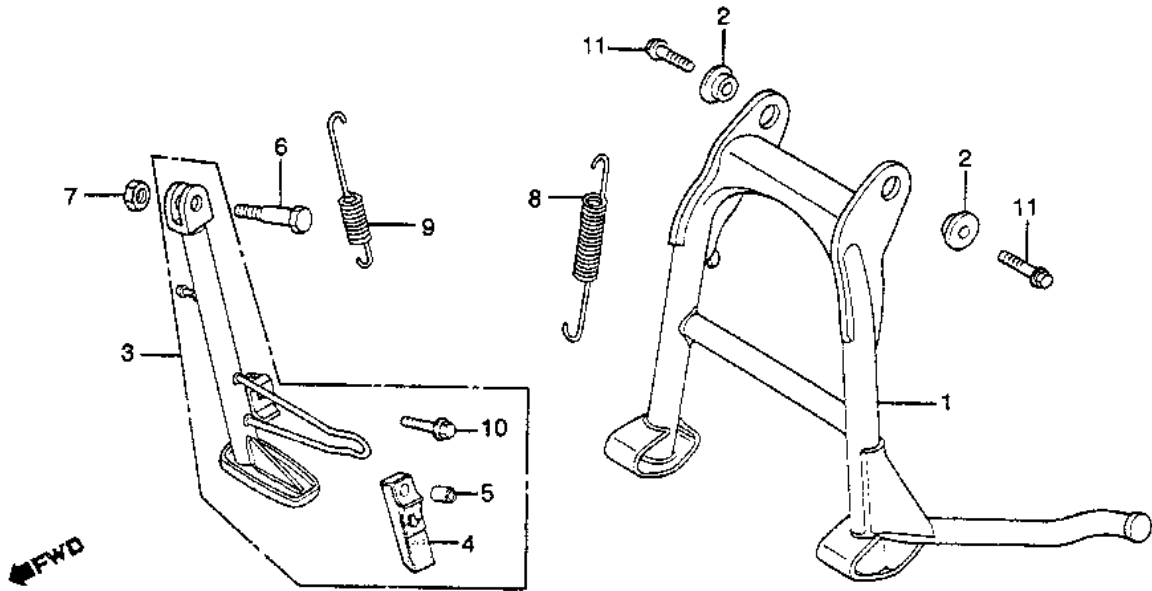
## Shock Absorber & Rear Suspension



REF#	PART		#REQ
01	VALVE, AIR	51456-469-013	001
02	SHOCK ABSORBER, RR.	52400-MA1-731	
	(replaces	52400-MA1-003)	001
04	CAP, AIR VALVE	52425-169-003	001
05	HOSE, RR. SHOCK	52432-MA1-003	001
06	CIRCLIP (INNER)	52447-MA2-003	001
07	METAL, BUSH	52452-MA1-003	001
08	COLLAR, BUSH	52453-MA1-003	001
09	ARM ASSY., CUSHION	52460-MA1-000	001
10	ROD ASSY.	52470-MA1-010	
	(replaces	52470-MA1-000)	001
11	BUSH	52472-MA0-013	
	(replaces	52472-MA0-003)	002
12	GUIDE, DAMPER CASE	52472-MA2-003	001
13	COLLAR	52473-MA0-020	
	(replaces	52473-MA0-000)	
	(replaces	52473-MA0-010)	002
14	BUSH	52474-MA1-003	004
15	RING, BACK-UP	52474-MA2-003	001
16	COLLAR, CONN ROD	52475-MA1-000	002
17	BUSH, SHOCK ABSORBER	52485-MA2-003	001
18	BOOT, RR. CUSHION	52611-MA1-003	001
20	BOLT, FLANGE (10X65)	90101-KBS-900	
	(replaces	90152-MA1-000)	003
21	BOLT, FLG (10X100)	90108-MR8-000	
	(replaces	90153-MA1-000)	001
22	BOLT, FLANGE (10X95)	90154-KW7-870	
	(replaces	90154-MA1-000)	
	(replaces	90187-MG7-003)	001
23	BOLT D, FLANGE	90189-MA2-003	001
24	NUT, AXLE (10MM)	90304-GA6-003	005
25	CLIP, HOSE	90662-MA1-003	001
26	OIL SEAL (14X22X5)	91203-KK3-830	
	(replaces	91254-MA2-003)	002
27	OIL SEAL	91257-MA2-003	001
28	SEAL, RR.	91262-MA0-015	
	(replaces	91262-MA0-005)	

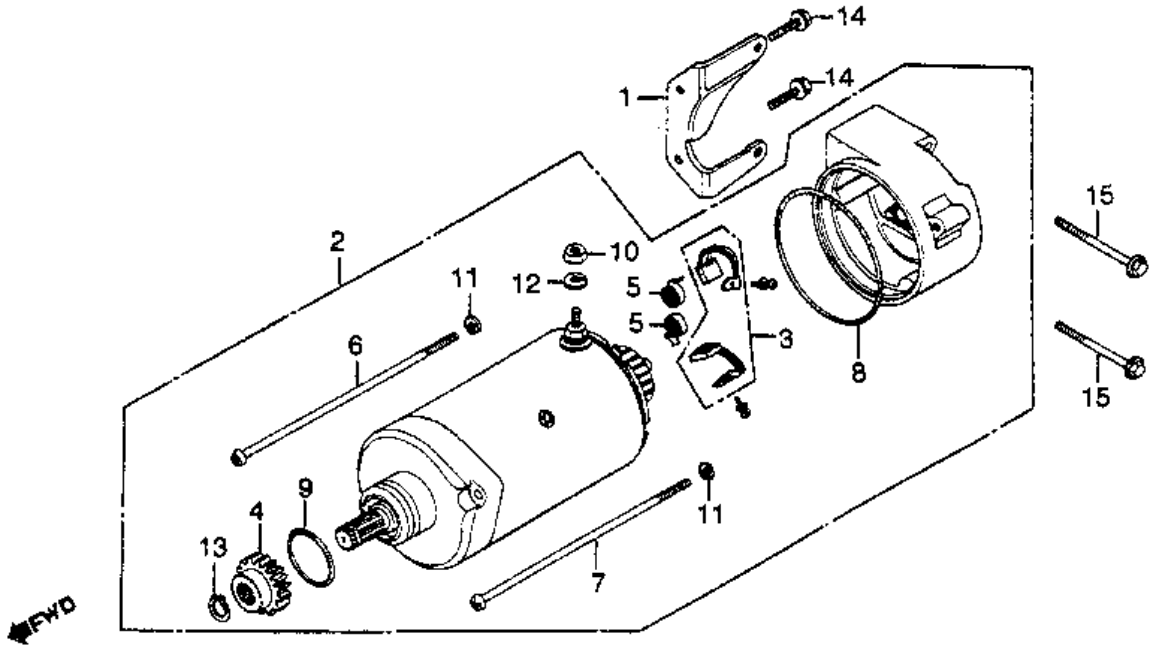
29	DUST SEAL	(replaces 91262-MA0-013)	006
		91262-MB2-005	
30	O-RING (5.8X1.9)	(replaces 91262-MA1-005)	002
		91305-323-000	
30	O-RING (5.6X1.9)	(replaces 91301-469-003)	002
		91318-ME5-003	002

## Stand, Center & Side Stand



REF#	PART		#REQ
01	STAND, MAIN	50500-MA1-000	001
02	COLLAR, MAIN STAND	50503-MA1-000	002
02	COLLAR, MAIN STAND	50503-MA6-010 (replaces 50503-MA6-000)	002
03	STAND ASSY., SIDE	50540-MA1-730 (replaces 50540-MA1-000)	001
04	RUBBER, STAND	50548-356-700	001
05	COLLAR	50549-356-700	001
06	BOLT	90108-223-000	001
07	NUT, HEX. (10MM)	94031-10000	001
08	SPRING J, MAIN STAND	95014-71902	001
09	SPRING D, SIDE STAND	95014-72402	001
10	BOLT, FLANGE (6X28)	95700-06028-00	001
10	BOLT, FLANGE (6X28)	95701-06028-00	001
11	BOLT, FLANGE (10X32)	95801-10032-08 (replaces 95800-10032-08)	002

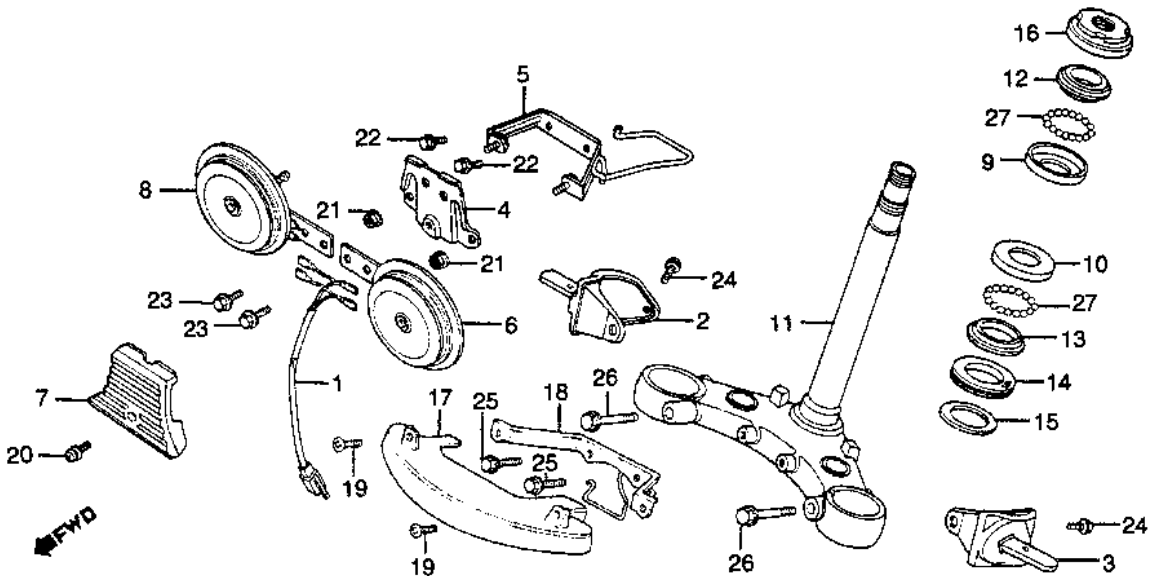
## Starter Motor



REF#	PART		#REQ
01	STAY, STARTER MOTOR	11312-415-000	001
02	MOTOR ASSY., STARTER	31200-449-405	
	(replaces	31200-449-008)	001
03	BRUSH SET, CARBON	31201-292-158	001
04	GEAR (27T)	31201-415-000	001
05	SPRING, CARBON BRUSH	31204-292-158	002
06	BOLT, START MTR CVR	31205-413-780	001
07	BOLT, START MTR CVR	31205-413-780	
	(replaces	31205-449-008)	001
08	O-RING (60X1.4)	31206-402-008	
	(replaces	31206-415-000)	001
09	O-RING (24.4X3.1)	91312-MG7-003	
	(replaces	91309-300-000)	
	(replaces	91309-425-003)	001
10	NUT, HEX. (6MM)	94002-06000-0S	
	(replaces	94002-06000)	001
10	NUT, HEX. (6MM)	94002-06000-0S	001
11	WASHER, SPRING (5MM)	94111-05000	002
12	WASHER, SPRING (6MM)	94111-06000	001
13	CIRCLIP (11MM)	94510-11000	001
14	BOLT, FLANGE (6X18)	96001-06018-00	
	(replaces	96000-06018-00)	002
15	BOLT, FLANGE (6X35)	96001-06035-00	
	(replaces	96000-06035-00)	002

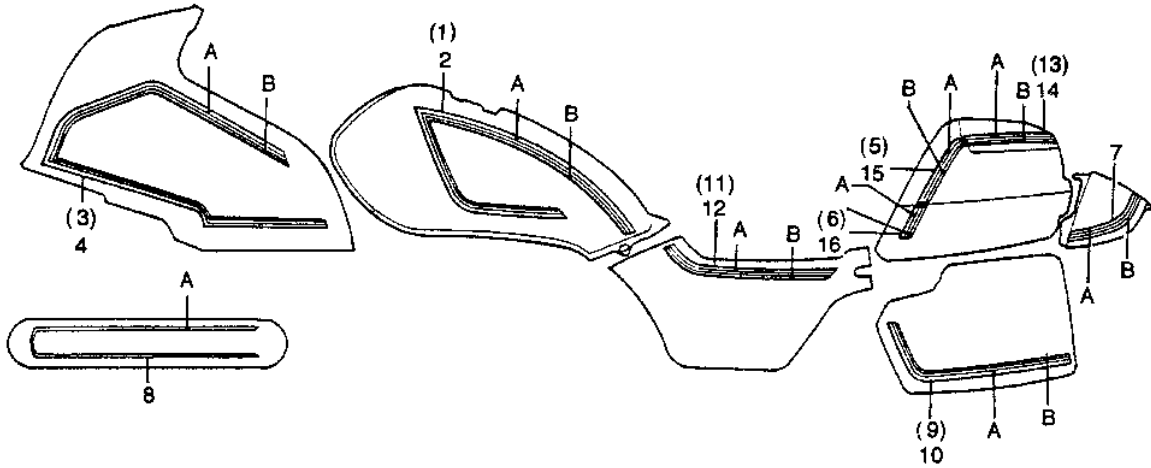


## Steering Stem & Horns



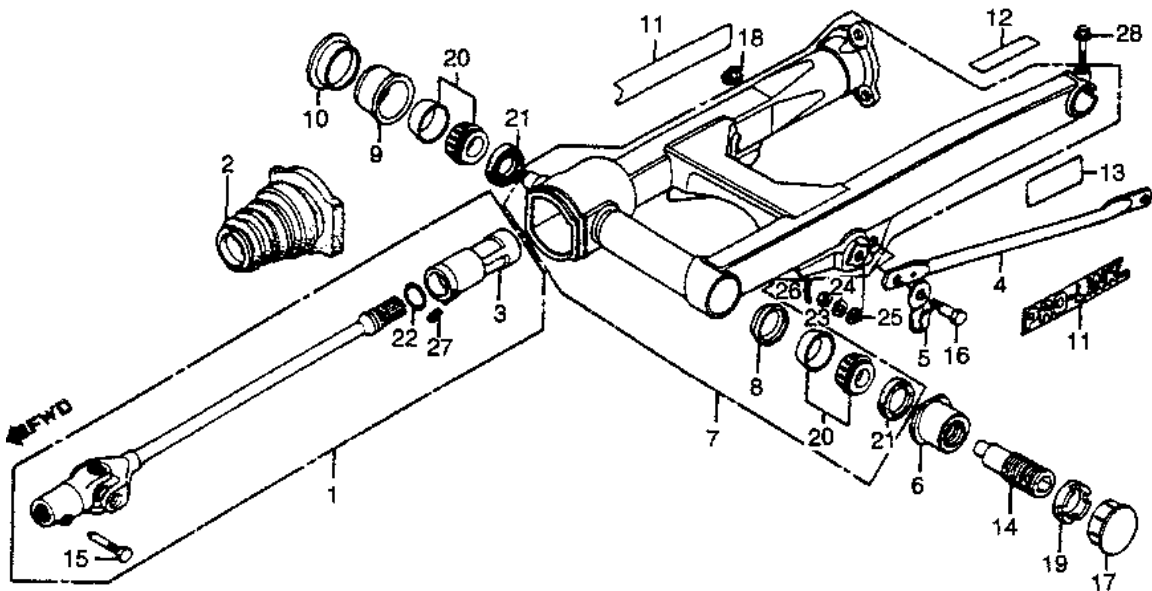
REF#	PART		#REQ
01	SUB-WIRE HARNESS A	32101-438-000	001
06	HORN (HIGH)	38110-GT8-621	
		(replaces 38110-410-004)	
		(replaces 38110-438-004)	
		(replaces 38110-438-601)	
		(replaces 38110-ME2-601)	001
08	HORN (LOW)	38120-438-601	
		(replaces 38120-438-004)	001
09	RACE, STEERING BALL	50301-268-010	
		(replaces 50301-268-000)	001
		(replaces 50302-268-000)	001
10	RACE, STEERING BALL	50302-268-010	001
11	STEM, STEERING *NH1*	53200-MA1-000ZA	
12	RACE, STEERING CONE	53211-268-010	
		(replaces 53211-268-000)	001
13	RACE, STEERING CONE	53212-250-010	
		(replaces 53212-250-000)	001
14	DUST SEAL	53214-250-000	001
15	WASHER	53215-250-000	001
16	THREAD (UPPER)	53220-286-000	001
17	COVER, FR.	61401-MA1-770	001
18	STAY, FR. COVER	61402-MA1-770	001
19	SCREW, FLAT (5X12)	93600-05012-0G	
		(replaces 93600-05012-1G)	
25	BOLT, FLANGE (6X16)	95701-06016-08	
		(replaces 95700-06016-08)	
		(replaces 95900-06016-08)	002
26	BOLT, FLANGE (10X35)	95701-10035-07	
		(replaces 95700-10035-07)	002
27	BALL (#8) (1/4)	96211-08000	037

## Stripes (Decals)



REF#	PART			#REQ
01	STRIPE, R. (TYPE1)		87111-MA1-770ZA	001
01	STRIPE, R. (TYPE2)		87111-MA1-770ZB	001
02	STRIPE, L. (TYPE1)		87112-MA1-770ZA	001
02	STRIPE, L. (TYPE2)		87112-MA1-770ZB	001
03	STRIPE, R. (TYPE1)		87113-MA1-770ZA	001
03	STRIPE, R. (TYPE2)		87113-MA1-770ZB	001
04	STRIPE, L. (TYPE1)		87114-MA1-770ZA	001
04	STRIPE, L. (TYPE2)		87114-MA1-770ZB	001
05	STRIPE, R. (TYPE1)		87115-MA1-770ZA	001
05	STRIPE, R. (TYPE2)		87115-MA1-770ZB	001
06	STRIPE, R. (TYPE1)		87116-MA1-300ZA	001
06	STRIPE, R. (TYPE2)		87116-MA1-300ZB	001
08	STRIPE, FR. (TYPE1)		87118-MA1-300ZA	001
08	STRIPE, FR. (TYPE2)		87118-MA1-300ZB	001
09	STRIPE, R. (TYPE1)		87125-MA1-770ZA	001
09	STRIPE, R. (TYPE2)		87125-MA1-770ZB	001
10	STRIPE, L. (TYPE1)		87126-MA1-770ZA	001
10	STRIPE, L. (TYPE2)		87126-MA1-770ZB	001
11	STRIPE, R. (TYPE1)		87128-MA1-300ZA	001
11	STRIPE, R. (TYPE2)		87128-MA1-300ZB	001
12	STRIPE, L. (TYPE1)		87129-MA1-300ZA	001
12	STRIPE, L. (TYPE2)		87129-MA1-300ZB	001
13	STRIPE, R. (TYPE1)		87134-MA1-770ZA	001
13	STRIPE, R. (TYPE2)		87134-MA1-770ZB	001
14	STRIPE, L. (TYPE1)		87135-MA1-770ZA	001
14	STRIPE, L. (TYPE2)		87135-MA1-770ZB	001
15	STRIPE, L. (TYPE1)		87145-MA1-770ZA	001
15	STRIPE, L. (TYPE2)		87145-MA1-770ZB	001
16	STRIPE, L. (TYPE1)		87146-MA1-300ZA	001
16	STRIPE, L. (TYPE2)		87146-MA1-300ZB	001

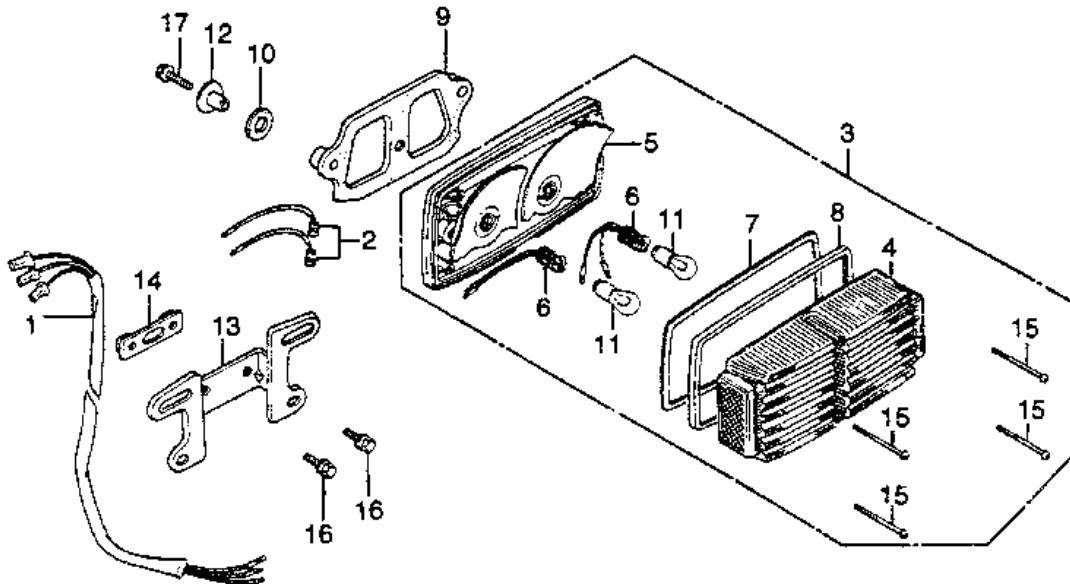
## Swingarm & Driveshaft



REF#	PART		#REQ
01	SHAFT, DRIVE	40200-MA1-000	001
02	BOOT, JOINT	40207-MA1-000	001
03	JOINT, DRIVESHAFT	40210-415-010	001
04	ARM, RR.	43431-MA1-000	001
05	CLIP, CLUTCH CABLE	45469-399-000	001
06	NUT, SWINGARM PIVOT	50197-MA1-300	001
07	SWINGARM ASSY., RR.	52110-MA1-000	001
08	HOLDER, RR.	52112-MA1-300	001
09	HOLDER	52115-MA1-000	001
10	CAP, SWINGARM PIVOT	52117-MA1-000	001
11	LABEL, PRO LINK	87133-MA1-000	002
12	LABEL	87504-028-670	001
13	MARK, TIRE CAUTION	87505-MA1-770	001
14	BOLT, PIVOT	90121-MA1-000	001
15	BOLT, SPECIAL (8MM)	90127-415-000	001
16	BOLT, RR.	90133-MA1-000	001
17	CAP, LOCK NUT	90303-463-010	001
18	NUT, HEX. (10MM)	90308-357-000	003
19	NUT, SWINGARM PIVOT	90355-MA1-000	001
20	BEARING (30203)	91121-PH8-961	
	(replaces	91062-415-013)	002
21	DUST SEAL (26X40X5)	91268-463-003	002
22	O-RING (22X1.7)	91359-415-300	001
23	NUT, HEX. (8MM)	94001-08000-0S	001
24	WASHER, PLAIN (8MM)	94101-08000	001
25	WASHER (10MM)	94111-10000	001
26	PIN, COTTER (2.0X35)	94201-20350	
	(replaces	94201-20180)	
	(replaces	94201-20200)	
	(replaces	94201-20250)	
	(replaces	94201-20280)	
	(replaces	94201-20320)	001
26	PIN, COTTER (2.0X22)	94201-29220	001
27	PIN, SPRING (4X22)	94305-40222	001
28	BOLT, FLANGE (8X32)	95701-08032-00	
	(replaces	95700-08032-00)	001

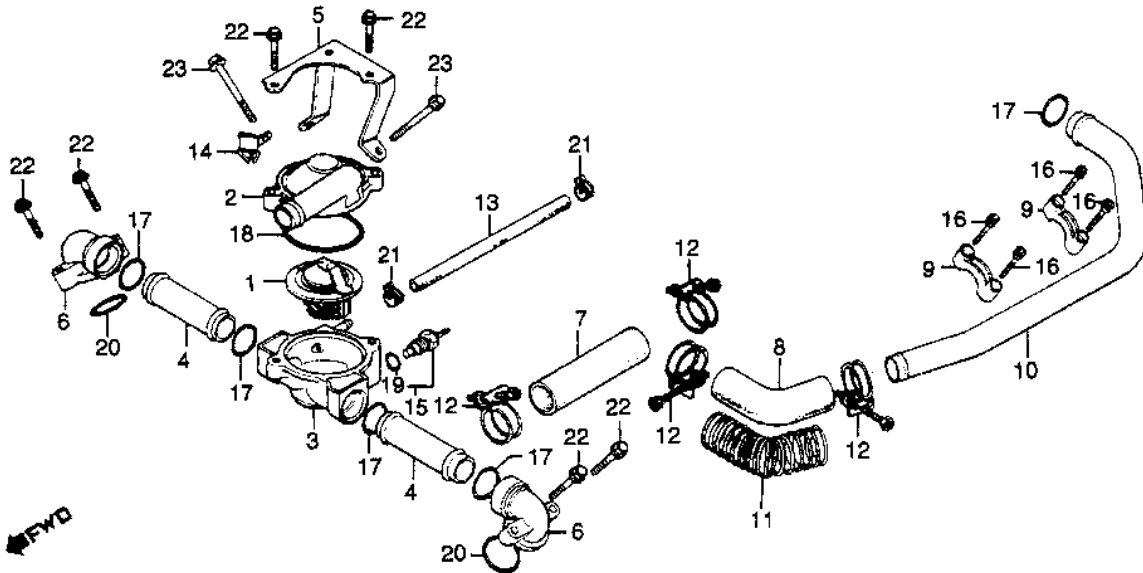
# Tail Light

← FWD



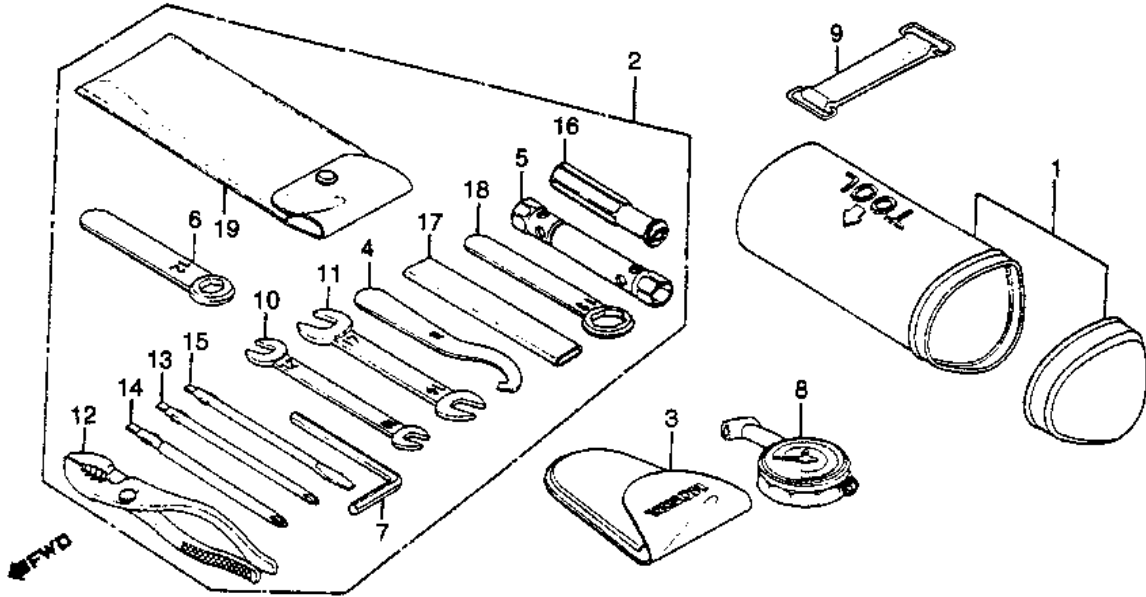
REF#	PART		#REQ
01	SUB-WIRE HARNESS	32101-MA1-000	001
02	SUB-CABLE A	32102-428-000	002
03	TAILLIGHT UNIT	33701-MA1-670	001
04	LENS, TAILLIGHT	33702-422-671	001
05	BASE, TAILLIGHT	33703-MA1-670	001
06	CABLE, TAILLIGHT	33708-147-003	
	(replaces	33708-371-601)	002
07	GSKT, TAILLIGHT LENS	33709-422-003	001
08	RIM, TAILLIGHT	33710-422-003	001
09	RUBBER A	33715-MA1-000	001
10	RUBBER B	33716-MA1-000	002
11	BULB (12V27/7W)	34906-MG9-771	
	(replaces	34906-341-671)	002
12	COLLAR, FR. FENDER	61104-428-000	002
12	COLLAR, RR. FENDER	61105-428-000	002
13	BRKT, NUMBER PLATE	84701-MA1-670	001
14	PLATE	84702-MA1-000	001
15	SCREW, TAP (4X60)	90147-147-671	004
16	BOLT, FLANGE (6X14)	95701-06014-00	
	(replaces	95700-06014-00)	002
17	BOLT, FLANGE (6X25)	95700-06025-08	002
17	BOLT, FLANGE (6X25)	95701-06025-08	002

## Thermostat & Coolant Pipes & Hoses



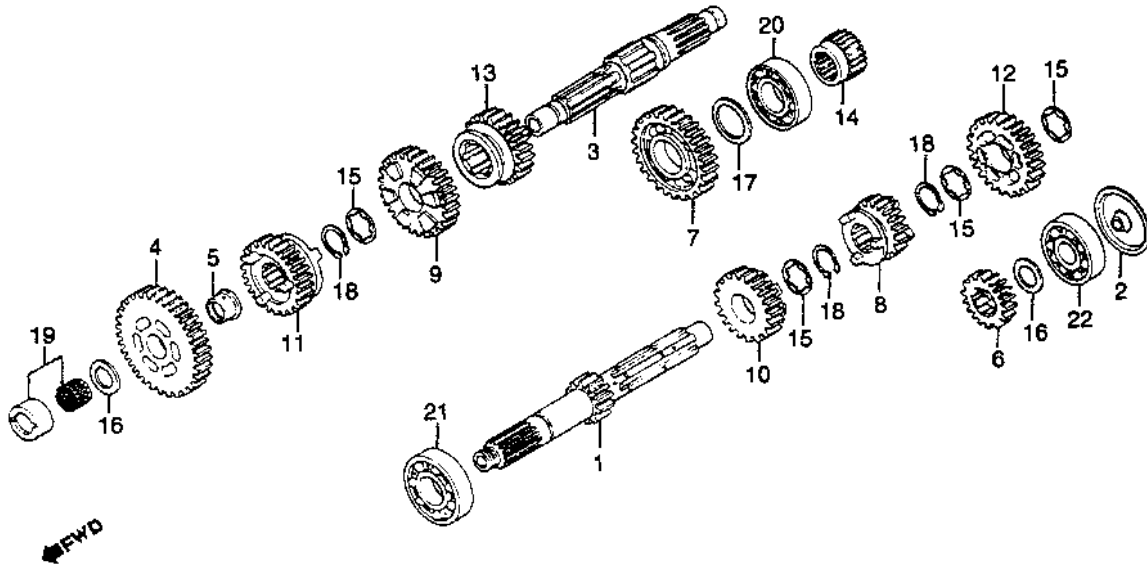
REF#	PART		#REQ
01	THERMOSTAT UNIT	19300-611-005	
		(replaces 19300-657-003)	001
02	COVER, THERMOSTAT	19315-MA1-000	001
03	CASE, THERMOSTAT	19411-415-000	001
04	PIPE, WATER (UPPER)	19414-415-000	002
05	STAY, THERMOSTAT	19418-415-010	001
06	JOINT A, WATER PIPE	19421-415-000	002
07	HOSE, WATER (UPPER)	19501-MA1-000	001
08	HOSE, WATER (LOWER)	19502-415-000	001
09	CLAMP, WATER PIPE	19503-415-000	002
10	PIPE, RR. WATER	19504-415-000	001
11	WIRE B, GUARD	19512-449-000	001
12	BAND, HOSE	19515-449-000	004
13	TUBE (5X240)	19521-415-000	001
14	CLAMP A, CABLE	32117-371-000	
		(replaces 32111-333-000)	001
15	SENDING UNIT	37750-611-154	001
16	BOLT, SPECIAL (5X22)	90089-415-000	004
17	O-RING (21.9X2.3)	91301-MB6-003	
		(replaces 91302-371-013)	
		(replaces 91302-371-023)	005
18	O-RING (53.8X3.1)	91302-657-000	001
19	O-RING (13.5X1.4)	91307-PH7-660	
		(replaces 91307-611-000)	001
20	O-RING (23X2.8)	94608-50000	002
21	CLIP, TUBE (D10.5)	95002-41050-08	002
22	BOLT, FLANGE (6X25)	95701-06025-00	
		(replaces 95700-06025-00)	006
23	BOLT, FLANGE (6X50)	95701-06050-00	
		(replaces 95700-06050-00)	002

## Tools



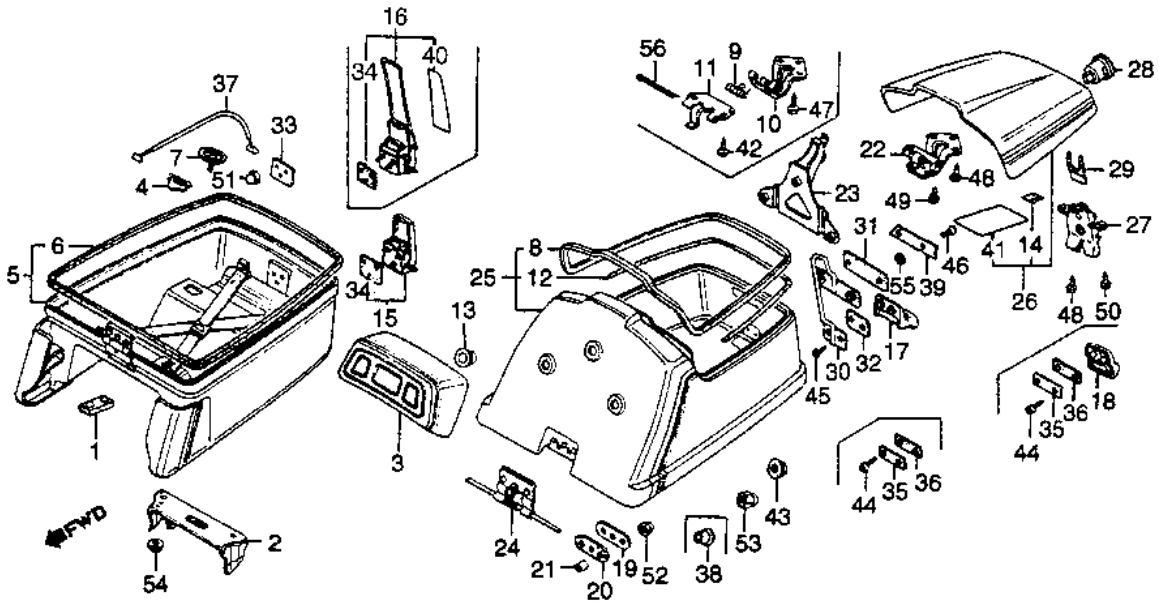
REF#	PART		#REQ
01	BOX, TOOL	83501-MA1-000	001
02	TOOL SET	89010-415-000	001
03	BAG, AIR PRES GA	89102-469-003	001
04	WRENCH, PIN	89215-404-670	001
05	WRENCH (18.5X17)	89216-415-000	001
06	WRENCH, EYE (12MM)	89217-415-000	001
07	WRENCH, HEX. (6MM)	89221-371-000	001
08	GAUGE, AIR PRESSURE	89301-461-003	001
09	BAND B1, BATTERY	95012-12001	
	(replaces	95012-12000)	001
10	SPANNER (10X12)	99001-10120	001
11	SPANNER (14X17)	99001-14170	001
12	PLIERS (135)	99002-13500	001
13	SCREWDRIVER 1 (NO.2)	99003-10000	001
14	SCREWDRIVER 2 (NO.3)	99003-20000	001
15	SCREWDRIVER 3 (NO.2)	99003-30000	001
16	GRIP	99003-50000	001
17	HANDLE (12MM)	99006-12000	001
18	WRENCH, EYE (19MM)	99006-19000	001
19	BAG, TOOL	89101-ME5-670	
	(replaces	99008-02000)	001

# Transmission



REF#	PART		#REQ
01	MAINSHAFT (15T)	23211-415-010	001
02	PLATE, OIL GUIDE	23219-415-000	001
03	COUNTERSHAFT	23220-415-000	001
04	GEAR (41T)	23421-413-000	001
05	BUSH (20MM)	23422-413-000	001
06	GEAR (20T)	23431-413-000	001
07	GEAR (37T)	23441-413-000	001
08	GEAR (24T)	23451-413-000	001
09	GEAR (34T)	23461-413-000	001
10	GEAR (27T)	23471-415-000	001
11	GEAR (31T)	23481-MA1-000	001
12	GEAR (29T)	23491-415-000	001
13	GEAR (27T)	23501-449-000	
	(replaces	23501-415-000)	001
14	COLLAR, COUNTERSHAFT	23522-415-000	001
15	WASHER (25MM)	90451-413-000	004
16	WASHER (20MM)	90452-413-000	002
17	WASHER (25MM)	90452-415-000	001
18	CIRCLIP (25MM)	90601-300-000	003
19	BEARING (20MM)	91022-415-008	001
20	BEARING (6205)	96100-62050-00	001
20	BEARING (6205)	96100-62050-10	001
21	BEARING (6305)	96100-63051-00	001
22	BEARING (6204U)	96140-62040-00	001

# Trunk

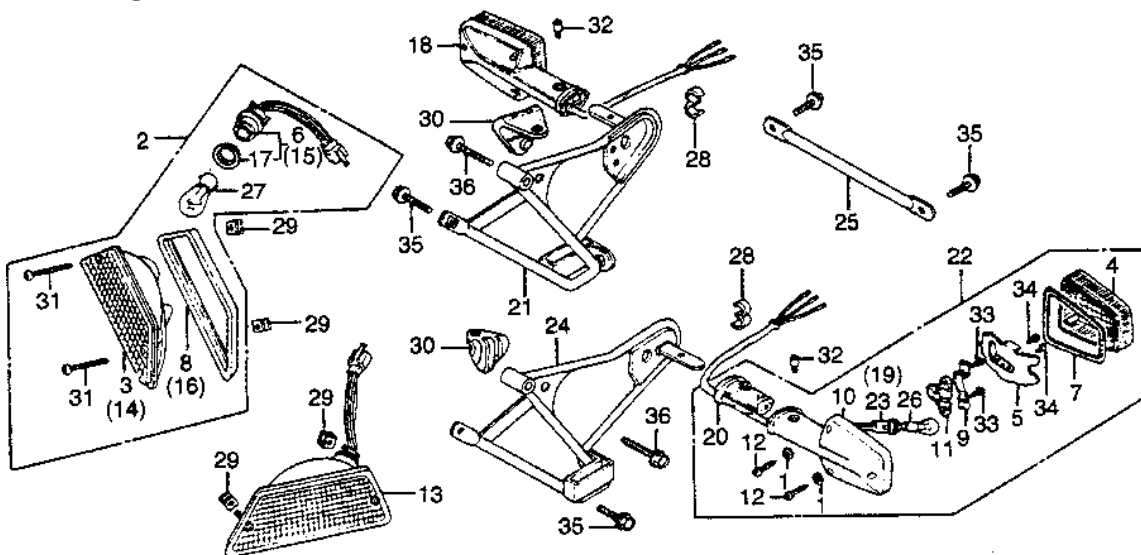


REF#	PART		#REQ
01	RUBBER, SEAT SETTING	77204-312-000	002
02	PLATE, SEAT LOCK	77301-MA1-000	001
03	BACK, SEAT	77350-MA1-740	
		(replaces 77350-MA1-770)	001
04	HOOK A, TRUNK BELT	81105-463-770	002
05	TRUNK *R104CU*	81110-MA1-770ZA	001
05	TRUNK *B100MU*	81110-MA1-770ZB	001
06	RUBBER, TRUNK	81113-MA1-300	001
07	PLATE, RR. TRUNK	81115-MA1-000	002
08	GASKET, TRUNK LID	81121-MA1-770	001
09	SPRING, TRUNK LID	81122-MA1-770	001
10	HINGE A, TRUNK LID	81123-MA1-770	001
11	HINGE B, TRUNK LID	81124-MA1-770	001
13	SEAL, TRUNK (UPPER)	81131-463-770	003
14	SEAL, TRUNK LID	81134-MA1-770	002
16	LOCK ASSY., TRUNK	81135-MA1-771	001
17	HOOK, LOCK	81136-MA1-770	001
18	HOOK, LOCK	81137-MA1-770	001
19	PLATE, HINGE SETTING	81143-MA1-000	001
20	RUBBER B, HINGE	81144-MA1-000	001
21	COLLAR, TRUNK	81145-MA1-000	003
25	TRUNK A, A *R104CU*	81171-MA1-770ZA	001
25	TRUNK A, A *B100MU*	81171-MA1-770ZB	001
26	LID, TRUNK *R104CU*	81172-MA1-305ZA	
		(replaces 81172-MA1-770ZA)	001
26	LID, TRUNK *B100MU*	81172-MA1-305ZB	
		(replaces 81172-MA1-770ZB)	001
33	PLATE, LOCK	81221-MA2-000	001
34	RUBBER, LOCK SEAL	81222-MA2-000	001
35	PLATE A, HOOK	81231-MA2-000	002
36	RUBBER A, HOOK	81233-MA2-000	002
37	STOPPER, TRUNK	83118-MA1-300	001
38	COLLAR	84706-415-000	003
39	EMBLEM, TRUNK	87123-MA1-770	001
40	STRIPE, LATCH B	87147-MA1-770	001
41	LABEL	87520-MA1-300	001
42	SCREW, TAP (5X14)	901A9-MA1-000	003



44	SCREW, PAN (3X6)	93500-03006-0G	004
47	SCREW, TAP (5X10)	93901-35110	003
51	NUT, CAP (4MM)	94021-04070-0S	003
52	NUT, CAP (5MM)	94021-05000-0S	003
53	NUT, CAP (6MM)	94021-06020	
	(replaces	94021-06000-0S)	003
53	NUT, CAP (6MM)	94021-06020	
	(replaces	94021-06020-0S)	
	(replaces	94022-06020)	003
54	NUT, FLANGE (6MM)	94050-06080	002
56	PIN, COTTER (4.0X75)	94201-40750	001

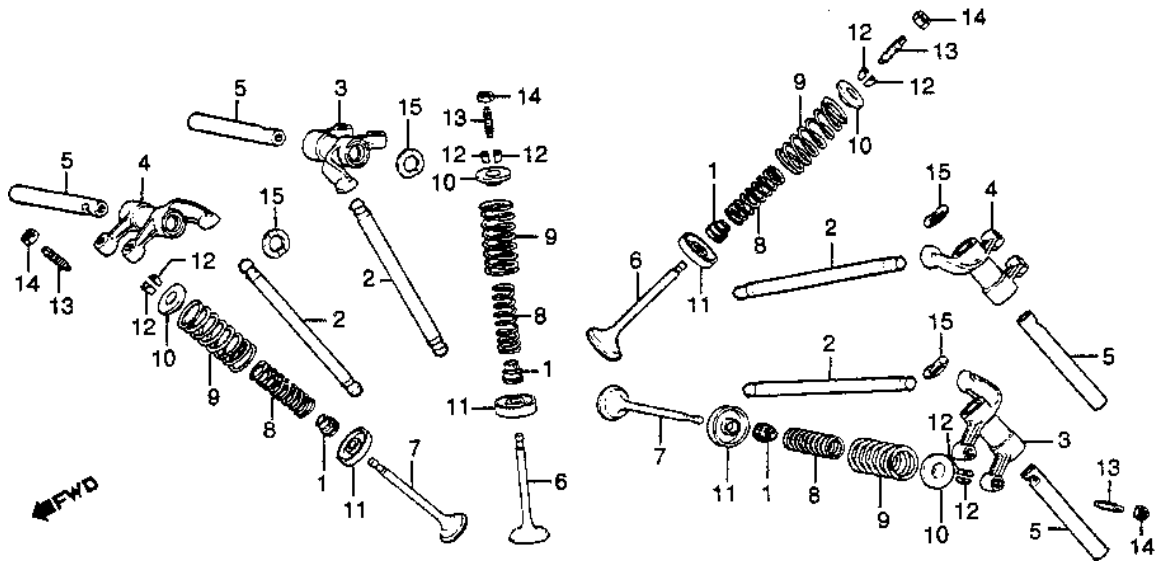
## Turn Signals & Brackets



REF#	PART		#REQ
01	WASHER	33318-567-003	006
02	TURN SIGNAL ASSY.	33400-463-773	001
03	CASE, R. TURN SIGNAL	33401-463-773	001
04	LENS, TURN SIGNAL	33402-431-782	002
05	REFLECTOR	33403-431-782	002
06	SOCKET, R.	33405-463-771	001
07	GASKET	33406-431-781	002
08	GASKET, R.	33406-463-771	001
09	HOLDER, SOCKET	33407-431-781	002
10	BASE, TURN SIGNAL	33409-431-781	002
11	RUBBER, SOCKET	33411-431-782	002
12	SCREW, TAP (4X25)	33420-431-780	006
13	TURN SIGNAL ASSY.	33450-463-773	001
14	CASE, L. TURN SIGNAL	33451-463-773	001
15	SOCKET, L.	33455-463-771	001
16	GASKET, L.	33456-463-771	001
17	GASKET, SEAL	33518-SA2-003	002
18	TURN SIGNAL, R. RR.	33600-MA1-771	
	(replaces	33600-MA1-770)	001
19	SOCKET, R. RR.	33605-MA1-770	001
20	RUBBER, RR.	33609-445-631	002
21	BRACKET, R. RR.	33610-MA1-770	001
22	TURN SIGNAL, R. RR.	33600-MA1-679	
	(replaces	33650-MA1-770)	001
22	TURN SIGNAL, R. RR.	33600-MA1-679	
	(replaces	33650-MA1-771)	001
23	SOCKET, L. RR.	33655-MA1-771	
	(replaces	33655-MA1-770)	001
24	BRACKET, L. RR.	33660-MA1-770	001
25	BAR, RR.	33661-MA1-770	001
26	BULB (12V23W32CP)	34905-268-671	002
27	BULB (12V23/8W)	34905-425-671	002
28	CLIP, FR.	45465-341-700	002
29	NUT	66872-671-000	004
30	RUB, RR. SADDLEBAG	81255-MA1-770	002
31	SCREW, PAN (4X25)	93500-04025-0A	
	(replaces	90192-377-671)	004

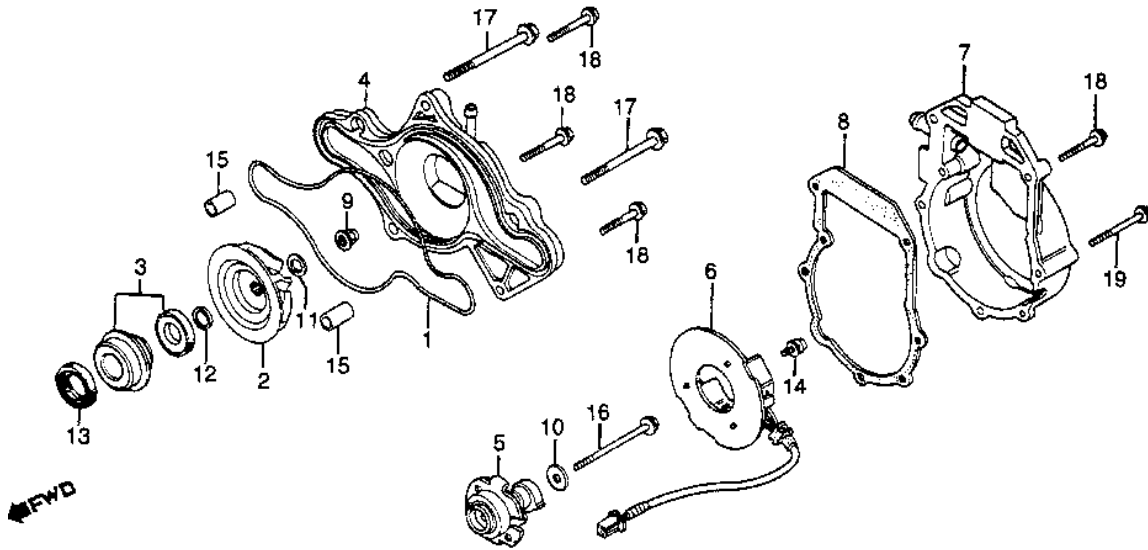
32	SCREW, OVAL (5X8)	90380-445-630	002
33	SCREW, TAPPING (4X8)	93901-24120	004
34	SCREW, TAPPING (3X6)	93901-32020	004
35	BOLT, FLANGE (6X16)	95701-06016-07	
	(replaces	95700-06016-07)	004
36	BOLT, FLANGE (6X45)	95701-06045-07	
	(replaces	95700-06045-07)	002

## Valves & Rocker Arms



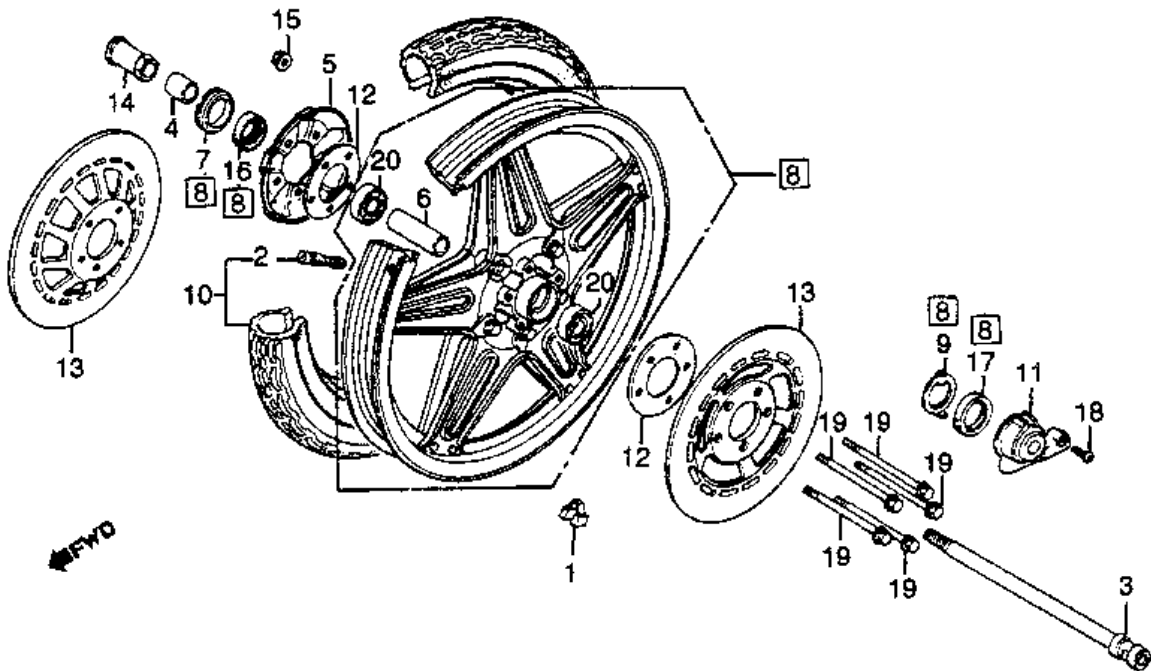
REF#	PART		#REQ
01	SEAL, VALVE STEM	12209-MB9-003	
		(replaces 12209-300-003)	008
02	ROD, PUSH	14410-415-000	004
03	ARM A, ROCKER	14420-MA1-000	002
03	ARM A, ROCKER	14420-ME7-000	002
04	ARM B, ROCKER	14430-ME7-000	
		(replaces 14430-MA1-000)	002
05	SHAFT, ROCKER ARM	14450-MG0-000	
		(replaces 14450-415-010)	004
06	VALVE, IN.	14711-415-000	004
07	VALVE, EX.	14721-415-000	004
08	SPRING, VALVE	14751-415-005	008
09	SPRING, VALVE	14761-415-005	008
10	RETAINER, VLV SPR	14771-551-020	008
11	SEAT, VALVE SPRING	14775-410-010	
		(replaces 14775-300-000)	008
12	COTTER, VALVE	14781-551-000	016
13	SCREW, TAPPET ADJ.	90012-415-000	008
14	NUT, TAPPET ADJ.	90206-250-000	
		(replaces 90205-300-000)	008
15	WASHER, WAVE (1.5MM)	90405-415-000	004

## Water Pump & Ignition Pulse Generator



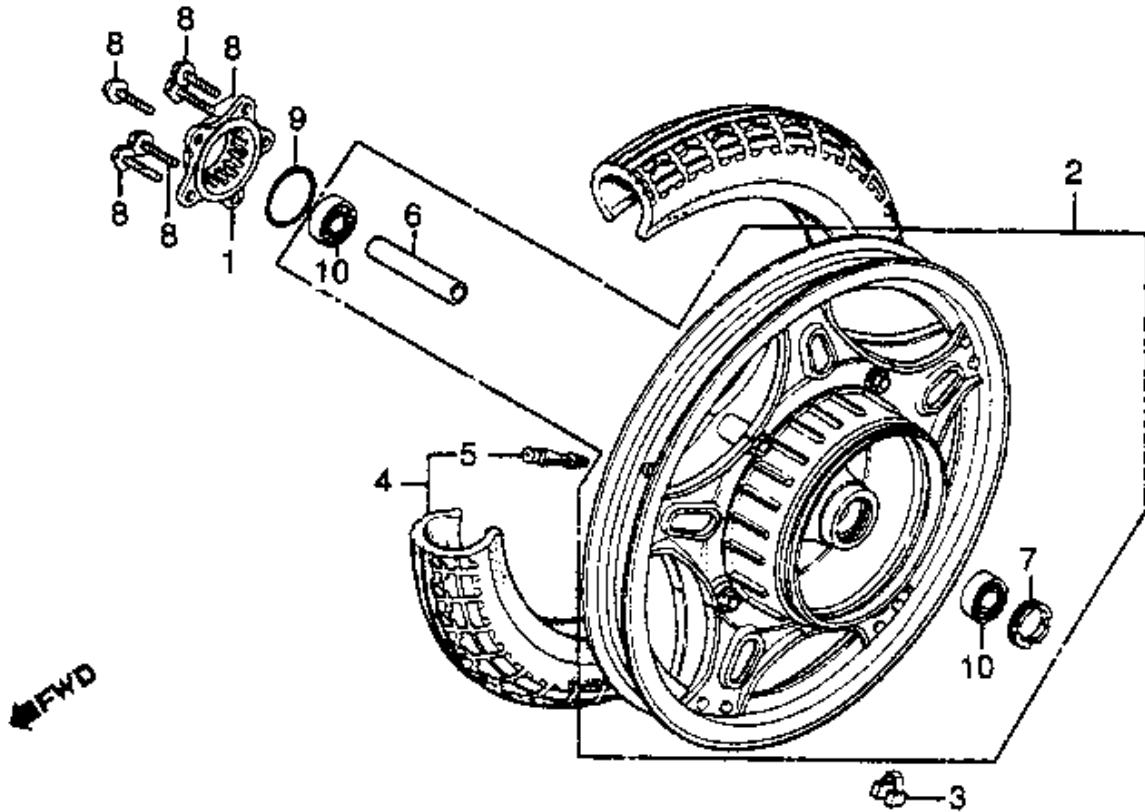
REF#	PART		#REQ
01	GASKET	11396-415-000	001
02	IMPELLER, WATER PUMP	19215-415-010	001
03	SEAL, MECHANICAL	19217-611-000	001
04	COVER, WATER PUMP	19221-415-000	001
05	ADVANCER, SPARK	30220-MA1-154	001
06	GENERATOR, PULSE	30300-MA1-154	001
07	COVER, PULSER	30372-MA1-000	001
07	COVER, PULSER	30372-MA1-010	001
08	GASKET A	30373-MA1-306	001
		(replaces 30373-MA1-000)	001
09	NUT, CAP (6MM)	90201-415-000	001
10	WASHER	90417-115-000	001
11	WASHER (6MM)	90441-706-000	001
12	WASHER (10MM)	90453-415-000	001
13	OIL SEAL (18X28X6)	91202-283-013	001
14	SCREW-WASHER (6X12)	93891-06012-08	002
15	PIN, DOWEL (10X16)	94301-10160	002
16	BOLT, FLANGE (6X60)	95701-06060-00	001
		(replaces 95700-06060-00)	001
17	BOLT, FLANGE (8X65)	95701-08065-00	002
		(replaces 95700-08065-00)	002
18	BOLT, FLANGE (6X25)	96000-06025-00	006
18	BOLT, FLANGE (6X25)	96001-06025-00	006
19	BOLT, FLANGE (6X40)	96001-06040-00	003
		(replaces 96000-06040-00)	003

## Wheel, Front & Brake Discs



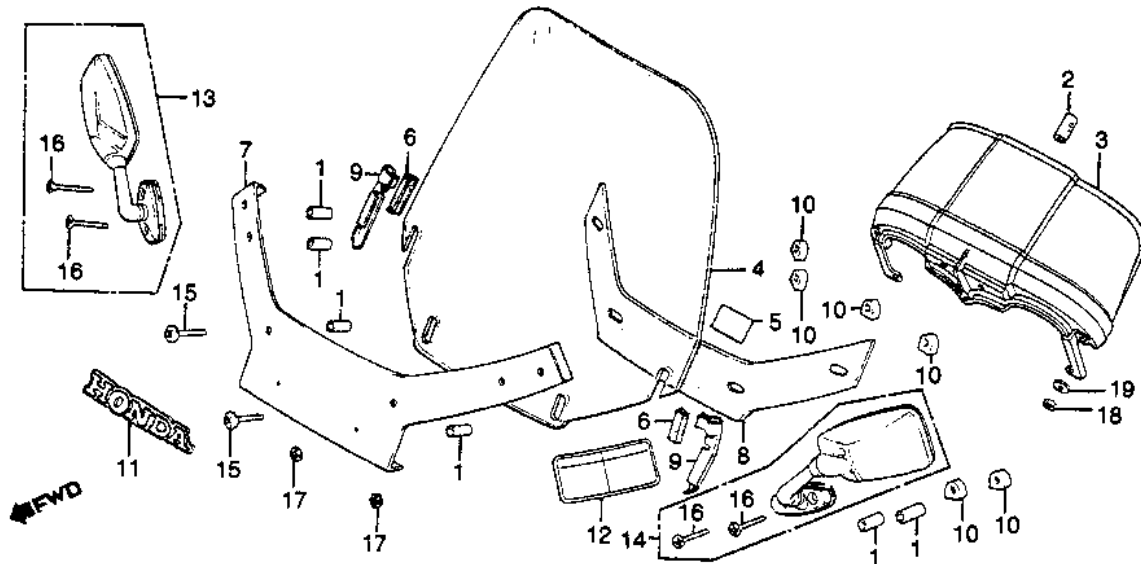
REF#	PART		#REQ
01	WEIGHT (20G)	42705-410-000	AR
01	WEIGHT (30G)	42706-410-000	AR
02	VALVE, RIM	42753-425-003	
		(replaces 42753-425-004)	001
03	AXLE, FR. WHEEL	44301-425-870	001
03	AXLE, FR. WHEEL	44301-MA1-000	001
04	COLR, FR. WHEEL SIDE	44311-425-870	
		(replaces 44311-410-000)	001
06	COLLAR, FR.	44620-410-000	001
07	RETAINER, FR.	44643-300-000	001
08	WHEEL, FR.	44650-463-671	001
09	RETAINER, GEAR BOX	44680-410-000	001
10	TIRE (3.50S19) (4PR)	44710-MA1-671	001
10	TIRE (3.50S19) (4PR)	44710-449-672	
		(replaces 44710-MA1-672)	001
11	BOX ASSY.	44800-425-013	001
12	SHIM, DAMPING	45128-445-630	002
13	DISK, FR. BRAKE	45251-MA1-770	002
14	NUT, AXLE (12MM)	90306-425-870	
		(replaces 90305-333-000)	001
15	NUT, FLANGE (8MM)	90309-428-731	005
16	DUST SEAL (22X36X8)	91252-300-003	001
17	DUST SEAL (40X50X5)	91258-410-013	
		(replaces 91258-410-003)	
		(replaces 91258-410-006)	001
18	SCREW, OVAL (5X16)	93700-05016-0A	001
19	BOLT, FLANGE (8X104)	90103-438-000	005
20	BEARING (6302UU)	96150-63020-10	
		(replaces 96140-63020-10)	002

## Wheel, Rear



REF#	PART		#REQ
01	FLANGE, FINAL DRIVEN	42610-415-000	001
02	WHEEL, RR.	42650-449-611	001
03	WEIGHT (20G)	42705-410-000	AR
03	WEIGHT (30G)	42706-410-000	AR
04	TIRE (130/90-16)	42710-MA1-671	001
04	TIRE (130/90-16)	42710-461-672	
		(replaces 42710-MA1-672)	001
05	VALVE, RIM	42753-425-003	
		(replaces 42753-425-004)	001
06	COLLAR, FR.	44620-410-000	001
07	RETAINER, FR.	44643-300-000	001
08	BOLT, SPROCKET	90128-402-000	005
09	O-RING (54X2.4)	91302-KF0-003	
		(replaces 91357-415-003)	001
10	BEARING (6302UU)	96150-63020-10	
		(replaces 96140-63020-10)	002

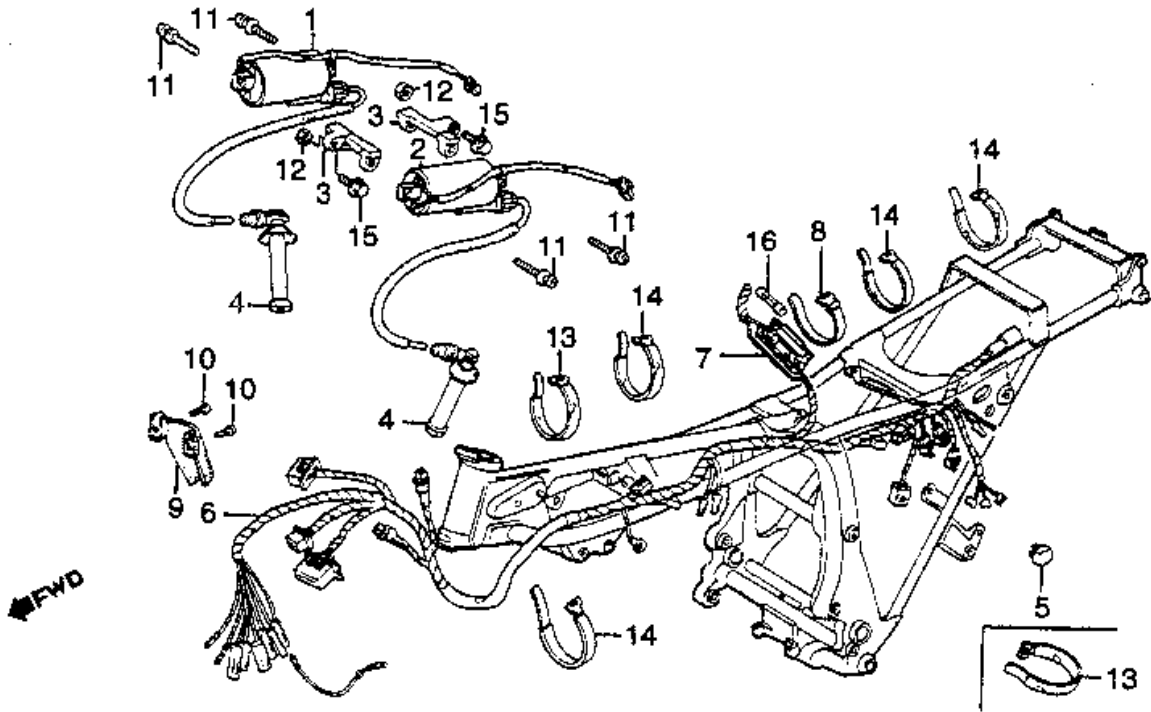
## Windscreen & Mirrors & Instrument Shroud



REF#	PART		#REQ
01	COLR, CONTROL VALVE	36052-657-300	006
02	CAP, RUBBER	37108-MA1-770	001
03	HOOD	37109-MA1-770	001
04	SCREEN, WIND	64100-463-305	
		(replaces 64100-463-306)	
		(replaces 64100-463-770)	
		(replaces 64100-463-892)	001
05	LABEL, SCREEN	64101-463-891	001
06	MOLDING, WINDSCREEN	64105-463-770	002
07	GARNISH, SCREEN	64110-463-770	001
08	CUSHION, SCREEN	64115-463-710	
		(replaces 64115-463-770)	001
09	CLIP, SCREEN MOLDING	64208-463-770	002
10	NUT, WINDSCREEN	64298-463-770	006
11	EMBLEM, FR. FAIRING	87110-463-770	001
12	LABEL	87522-463-890	001
13	MIRROR, R.	88120-MA1-601	
		(replaces 88120-463-771)	
		(replaces 88120-MB9-771)	001
14	MIRROR, L.	88130-MA1-601	
		(replaces 88130-463-771)	
		(replaces 88130-MB9-771)	001
15	BOLT, GARNISH MOUNT	90101-463-770	002
16	SCREW (6X35)	90186-463-770	004
17	NUT, SPEED (3MM)	90313-567-000	002
18	NUT, HEX. (6MM)	94001-06070-0S	002
19	WASHER, SPRING (6MM)	94111-06700	002



## Wire Harness & Ignition Coils



REF#	PART		#REQ
01	COIL, R. IGNITION	30501-MA1-003	001
02	COIL, L. IGNITION	30502-MA1-003	001
03	STAY, IGNITION COIL	30505-MA1-000	002
04	CAP ASSY. A	30700-415-010	002
		(replaces 30700-415-000)	
05	RECTIFIER, SILICON	31700-124-003	001
		(replaces 31700-124-008)	
06	WIRE HARNESS	32100-MA1-000	001
11	SCREW-WASHER (5X25)	93891-05025-08	004
12	NUT, FLANGE (6MM)	94050-06080	002
13	BAND B1, CABLE	32161-404-000	002
		(replaces 95014-61100)	
14	BAND A2, CABLE	95014-61200	006
15	BOLT, FLANGE (6X25)	95725-06025-08	002