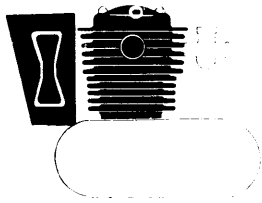
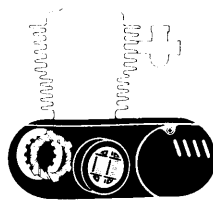


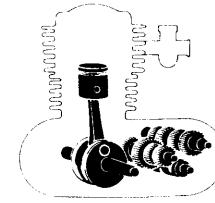
100



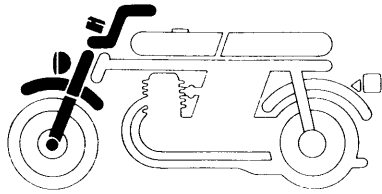
E- 1	Radiator · Cooling fan	12
E- 2	Thermostat · Water pipe	14
E- 3	Cylinder head cover	16
E- 4	Right cylinder head	17
E- 5	Left cylinder head	19
E- 6	Valve · Upper rocker arm	21



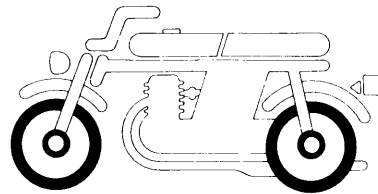
E- 7	Camshaft · Lower rocker arm	22
E- 8	Clutch cover · Oil filter	24
E- 9	Transmission cover	26
E-10	Clutch	27
E-11	Oil pump · Primary drive gear	29
E-12	Water pump · C.D.I. pulser	31
E-13	Starter motor	33
E-14	Rear cover	34
E-15	Generator	35
E-16	Cam chain · Tensioner	37
E-17	Final shaft	39
E-18	Cylinder block	40



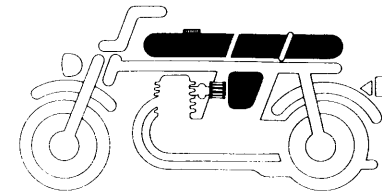
E-19	Crankshaft · Piston	42
E-20	Transmission	44
E-21	Shift drum · Shift fork	46
E-22	Carburetor	49



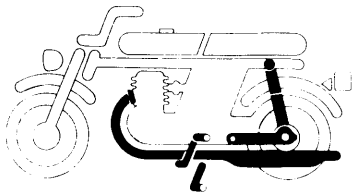
F- 1	Headlight	51
F- 2	Headlight case	56
F- 3	Meters	59
F- 4	Handle lever · Switch · Cable	62
F- 5	Front brake master cylinder	65
F- 6	Handle pipe · Top bridge · Key set	69
F- 7	Steering stem · Horn	71
F- 8	Front fender	73
F- 9	Front fork	74



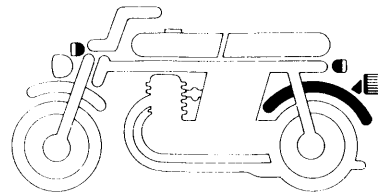
F-10	Front brake caliper	76
F-11	Front wheel · Disk	80
F-12	Rear brake panel	84
F-13	Rear wheel	86
F-14	Final driven gear	88



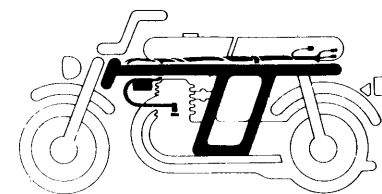
F-15	Fuel tank	92
F-16	Seat	95
F-17	Side cover · Battery	97
F-18	Electric plate · C.D.I. unit	100
F-19	Air cleaner	102



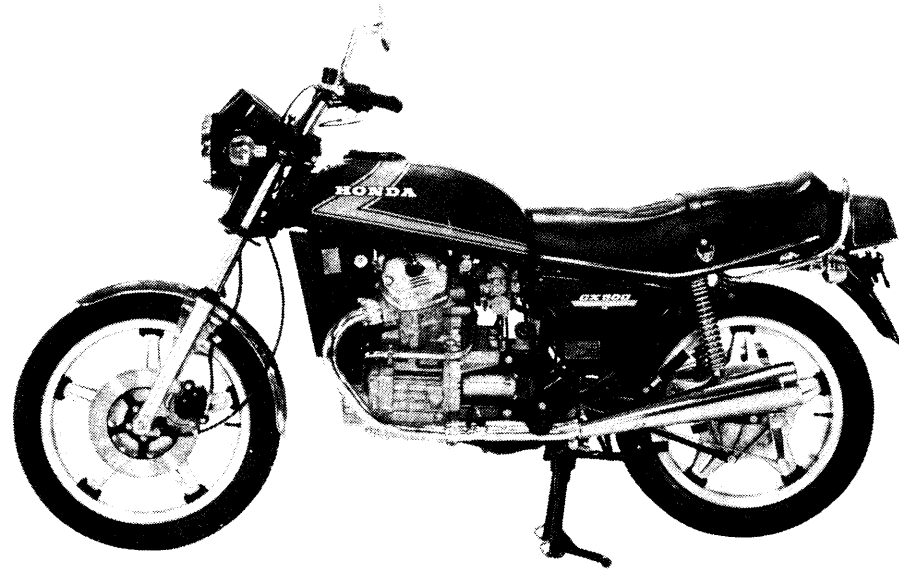
F-20	Exhaust muffler	105
F-21	Brake pedal · Change pedal	107
F-22	Step	109
F-23	Stand	111
F-24	Rear fork	113
F-25	Rear cushion	116



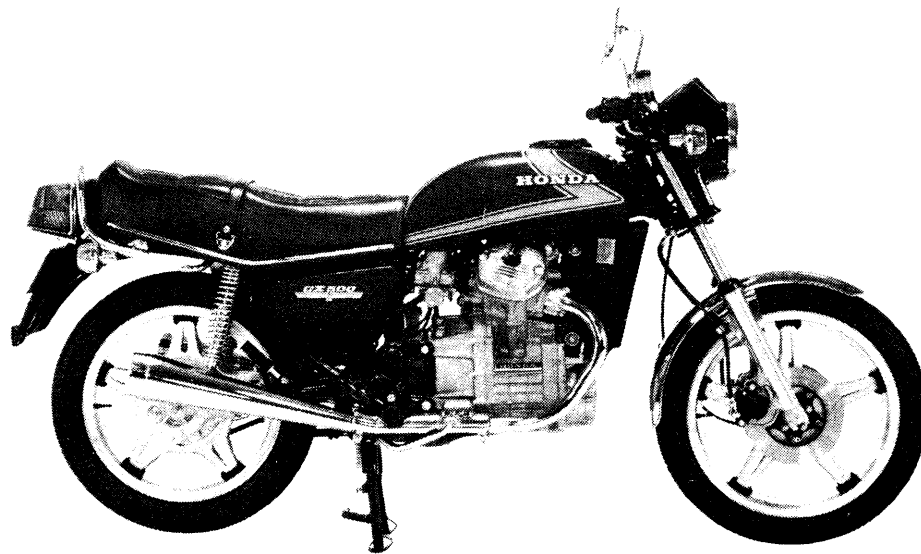
F-26	Rear fender	118
F-27	Winker	122
F-28	Taillight	127



F-29	Wire harness · Ignition coil	130
F-30	Radiator shroud · Reserve tank	131
F-31	Frame body	133
F-32	Tool	135



CX500-CM



CX500-E

3. Abbreviations

The following abbreviations are used in this parts catalogue.

ASSY. Assembly	KPH Kilometers per hour
COMP. Complete	MPH Miles per hour
R Right	L (100L) Link (100Links)
L Left	A.C. Alternating current
STD. Standard	D.C. Direct current
MM Millimeter	IN. Inlet
G Gram	EX. Exhaust
T (22T) Tooth (22Teeth)	FR. Front
A Ampere	RR. Rear
V Volt	HEX. Hexagonal
W Watt	

4. Dimensions

All dimensions are given in millimeters (mm) except in the case of steel balls, tires and tire tubes.

Parts	Example	Interpretation
Bolt (Screw)	6×12	6mm diameter, 12mm length
Pin	8×14	8mm diameter, 14mm length
O-Ring	9.5×1.6	9.5mm diameter, 1.6mm thickness
Oil seal	14×24×5	14mm inside diameter, 24mm outside diameter, 5mm thickness
Tube	5×130	5mm inside diameter, 130mm length

5. Supersedence of parts

Part numbers given under the part name in the "Description" column indicate that the part number has been superseded by that part number. HONDA may make such supersedence without notice.

6. Assemblies

Sections framed with broken lines in the exploded view drawings are available as complete assemblies. (Their individual parts can also be obtained.)

7. Required quantity

The number given in the "Reqd. No." column indicates the quantity of parts used in the section described in that block.

Parts with quantities in () represent optional parts.

Part whose required number is "N", is part whose required number can be selected at need.

8. Part modifications-applicable serial numbers

In cases where a part has been modified, the serial number of the first vehicle (or frame, engine, carburetor, final driven gear) bearing the modification is listed in the "Serial No." column.

9. Models, area codes and applicable serial numbers

Models, area codes and applicable serial Nos. given in this parts catalogue can be identified as follows.

Parts with area codes are exclusive for models destined for countries designated.

If no area codes are listed, parts are for common use.

Model	Area code	Type	Applicable engine serial No.	Applicable frame serial No.	Applicable carburetor identification No.	Applicable final driven gear serial No.
CX500	E	England	CX500E-2003789~	CX500-2003736	VB36A <u>A</u>	F-3000286
	G	Germany (*1)	CX500E-2003794	CX500-2003741	VB36A <u>A</u>	
	F	France	CX500E-2003796	CX500-2003743	VB36A <u>A</u>	
	ED	European direct sales	CX500E-2004086	CX500-2004034	VB36A <u>A</u>	
	DK	General export (KPH)	CX500E-2004090	CX500-2004038	VB36A <u>A</u>	
	U	Australia	CX500E-2004092	CX500-2004040	VB36A <u>A</u>	
	G2	Germany (*2)	CX500E-3000006	CX500-3000006	VB36B <u>A</u>	
	CM	Canada	These types are not yet produced.			
	DM	General export (MPH)				
	IT	Italy				
SA	South Africa					

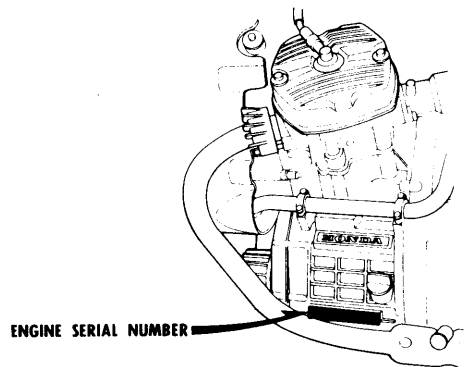
*1 Full power type

*2 27 PS type

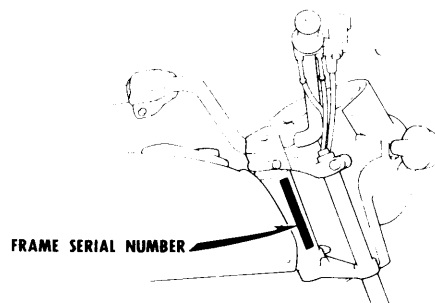
* Of carburetor identification numbers, only the portions underlined in the example below are used for registration.

VB36 A A KC ア

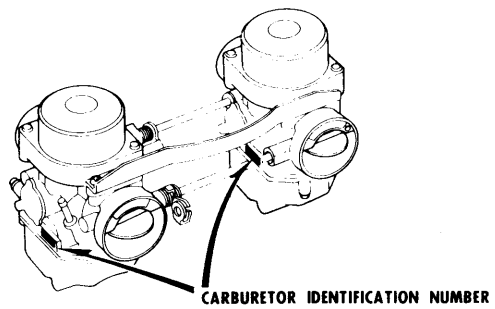
10. Location of stamped serial number



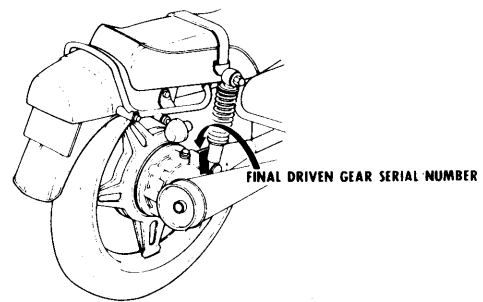
B415-0A



B415-0B



B415-0C



B415-0D

III. How to use the flat rate time (F.R.T.)

This F.R.T. (Flat Rate Time) is used to determine the standard labor time allowed for replacement of parts covered by the warranty during the period the warranty is in effect. The F.R.T. for those parts which are not listed herein should be determined from the operation closely related to the replacement of that part.

1. The F.R.T. is based on the following servicing conditions.

- A liberal allowance is added to the net servicing time.
- Standard times specified are based on the condition that the necessary servicing tools listed in the service manual (motorcycle) which describes the HONDA service policy are available close at hand and the work performed by a mechanic with normal skill.
- Time required for inspection and operational test following the servicing is included in the F.R.T.

2. Method of computing

The job times are listed in tenth of an hour to simplify computation.

- (Example) 0.3 = 18 minutes
 5.6 = 5 hours and 36 minutes

CONVERSION CHART			
Hours	Minutes	Hours	Minutes
0.1	6	0.6	36
0.2	12	0.7	42
0.3	18	0.8	48
0.4	24	0.9	54
0.5	30	1.0	60

3. Computing the F.R.T.

When several jobs are performed at the same time, make the calculation in the following manner.

a. Jobs of non duplicated nature

The F.R.T. for the job is obtained by totalling the F.R.T. for each part replaced.

(Example) Replacement of cylinder head and clutch spring.

Service item	F.R.T.
Cylinder head	1.9
Clutch spring	0.4

The F.R.T. for the job is : $1.9 + 0.4 = 2.3$

b. Jobs of duplicated nature

Take the F.R.T. for the last part to be replaced.

(Example) Replacement of piston and cylinder head gasket.

Service item	F.R.T.
Cylinder head gasket	1.0
Piston	* 4.1

The F.R.T. for the job is : 4.1

c. Jobs of partially related nature

Total up the F.R.T. for all of the parts replaced and then subtract the F.R.T. for the duplicated operation.

(Example) Replacement of gear shift drum and cam chain.

Service item	F.R.T.
Gear shift drum	* 3.7
Cam chain	* 3.5
Engine disassembly	* 2.7

The F.R.T. for the job is : $(3.7 + 3.5) - 2.7 = 4.5$

Engine disassembly is the duplicated operations.

- The F.R.T. shown with (*) includes engine removal and installation.

4. Operations other than replacing parts.

a. Removal and installation

No.	Service item	F.R.T.
1	Engine	2.7
2	Cylinder head	1.0
3	Carburetor	0.8
4	Radiator	0.6
5	Final driven gear	0.5

b. Adjustment, measurement and cleaning

Engine

No.	Service item	F.R.T.
1	Spark plug-adjustment and cleaning	0.2
2	Tappet adjustment	0.7
3	Carburetor idle-adjustment	0.2
4	Engine oil-inspection (excluding oil change)	0.1
5	Clutch-adjustment	0.1
6	Cleaner element-cleaning	0.1
7	Compression-pressure measurement	0.2
8	Battery-checking of electrolyte level and gravity	0.2
9	Carburetor-float level measurement	1.2
10	Oil filter cleaning	0.2
11	Throttle operation-adjustment	0.1
12	Carburetor synchronization-adjustment	0.3
13	Exterior of radiator corecleaning	0.3

Frame

No.	Service item	F.R.T.
1	Front brake-air bleeding	0.1
2	Rear brake-adjustment	0.1
3	Brake-operation test	0.1
4	Headlight-aimings	0.2
5	Drive chain (includes tension adjustment however, does not include sprocket)	0.1
6	Front wheel balance	0.8
7	Rear wheel balance	0.9

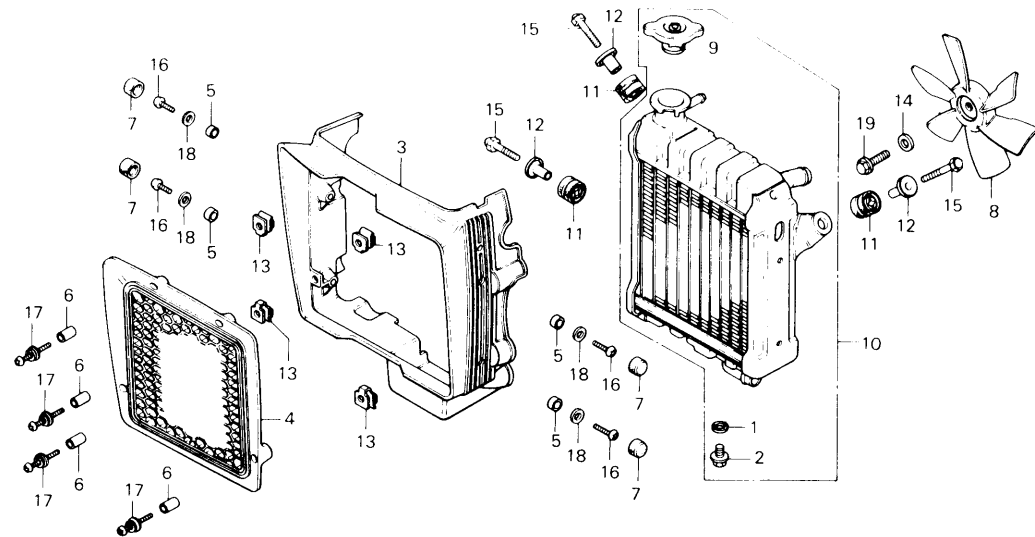
c. Overhaul

No.	Service item	F.R.T.
1	Carburetor	1.8
2	Final driven gear	1.4

MEMO

E-1

Radiator · Cooling fan

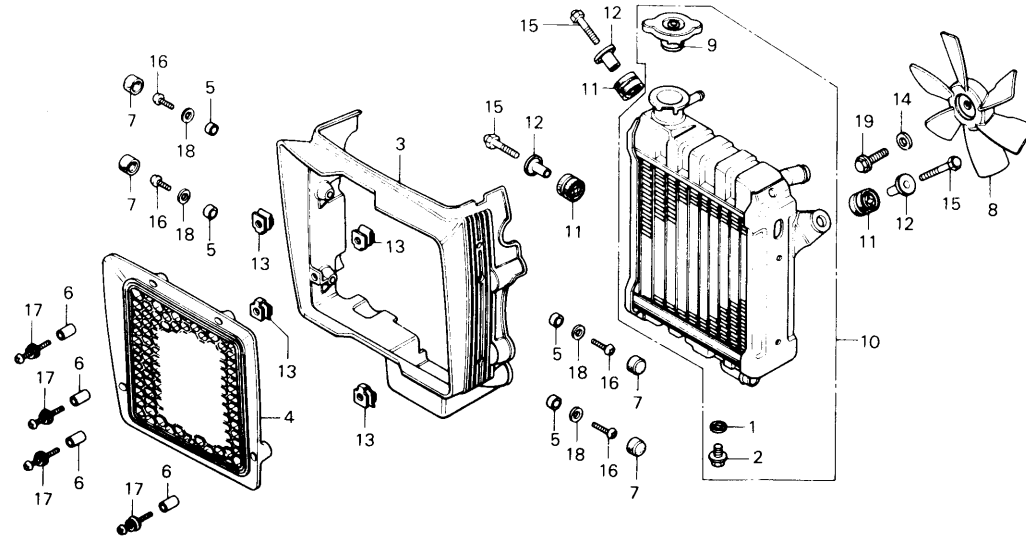


B415-1

Service item	F.R.T.	Ref. No.	Part No.	Description	Reqd. No. CX500	Serial No.	Area code
COVER, RADIATOR	C.2	1	19012-611-C03	GASKET, DRAIN COCK	1		
GRILLE COMP., RADIATOR	0.1	2	19013-415-004	COCK, DRAIN	1		
CAP, RADIATOR FILLER		3	19031-415-000	COVER, RADIATOR	1		
FAN COMP., COOLING	C.6	4	19032-415-000	GRILLE COMP., RADIATOR	1		
RADIATOR ASSY.		5	19033-415-000	COLLAR, RADIATOR COVER	4		
		6	19034-415-000	COLLAR A, GRILLE	4		
		7	19035-415-000	GROMMET, RADIATOR COVER	4		
		8	19040-415-010	FAN COMP., COOLING	1		
		9	19045-634-003	CAP, RADIATOR FILLER	1		
		10	19110-415-004	RADIATOR ASSY.	1		
		11	19115-415-000	RUBBER, RADIATOR MOUNT	3		
		12	19119-415-000	COLLAR, RADIATOR MOUNT	3		
		13	66871-671-000	NUT, GLOVE BOX	4		

E-1

Radiator • Cooling fan

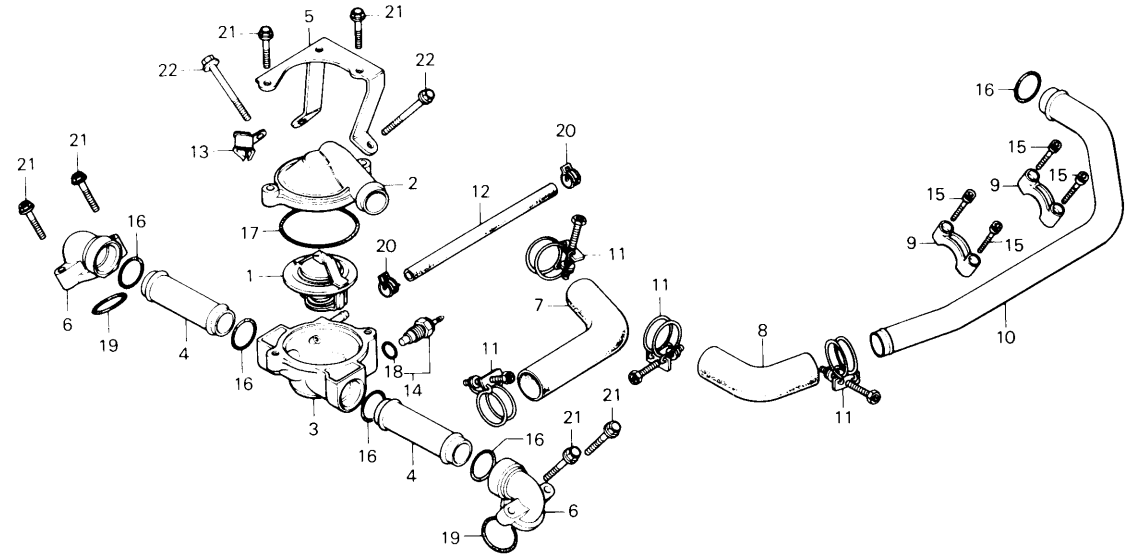


B415-1

Service item	F.R.T.	Ref. No.	Part No.	Description	Reqd. No. CX500	Serial No.	Area code
		14	90509-642-000	WASHER, PLAIN, 8MM	1		
		15	92600-06032-08	BOLT, CAP, 6X32	3		
		16	93500-06012-06	SCREW, PAN, 6X12	4		
		17	93893-C5025-17	SCREW-WASHER, 5X25	4		
		18	94101-C6700	WASHER, PLAIN, 6MM	4		
		19	95700-08025-00	BOLT, FLANGE, 8X25	1		

E-2

Thermostat • Water pipe

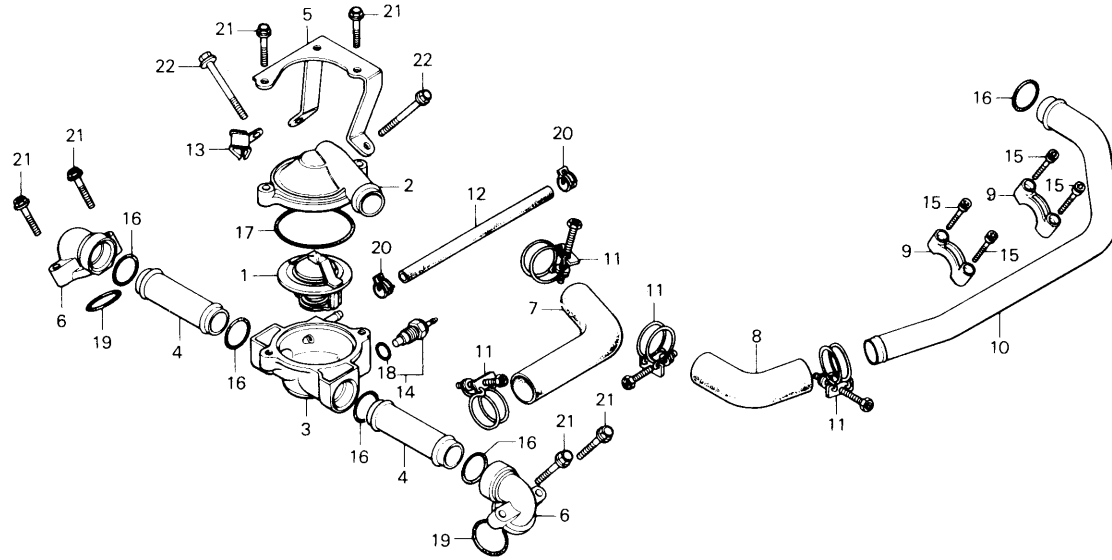


B415-2

Service item	F.R.T.	Ref. No.	Part No.	Description	Reqd. No. CX500	Serial No.	Area code
THERMOSTAT UNIT	0.2	1	19300-611-005	THERMOSTAT UNIT	1		
PIPE, UPPER WATER		2	19315-415-000	COVER, THERMOSTAT	1		
JOINT A, WATER PIPE		3	19411-415-000	CASE, THERMOSTAT	1		
TUBE, 5X240		4	19414-415-000	PIPE, UPPER WATER	2		
CASE, THERMOSTAT	C.4	5	19418-415-C10	STAY, THERMOSTAT	1		
HOSE, UPPER WATER	0.6						
HOSE, LOWER WATER		6	19421-415-000	JOINT A, WATER PIPE	2		
PIPE, RR. WATER	1.1	7	19501-415-000	HOSE, UPPER WATER	1		
SENDING UNIT, WATER TEMPERATURE	C.3	8	19502-415-000	HOSE, LOWER WATER	1		
COVER, THERMOSTAT	0.2	9	19503-415-000	CLAMP, WATER PIPE	2		
		10	19504-415-000	PIPE, RR. WATER	1		
		11	19515-415-000	BAND, HOSE	4		
		12	19521-415-000	TUBE, 5X240	1		
		13	32111-333-000	CLAMPER A, CORD	1		
		14	37750-611-154	SENDING UNIT, WATER TEMPERATURE	1		
		15	90089-415-000	BOLT, SPECIAL, 5X22	4		
		16	91302-371-003	G-RING, 21.9X2.3	5		
		17	91302-657-000	O-RING, 53.8X3.1	1		

E-2

Thermostat • Water pipe

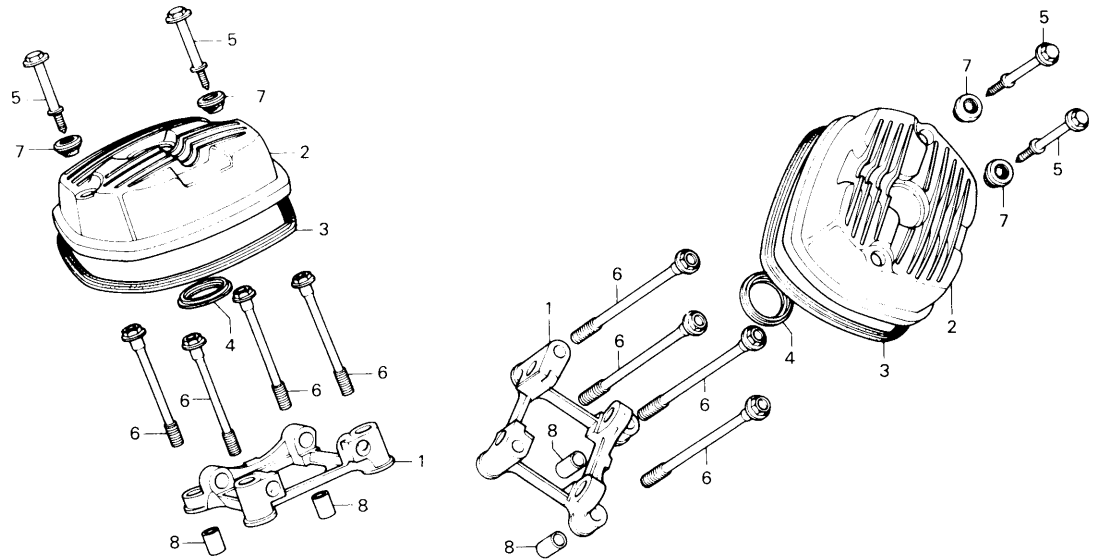


B415-2

Service item	F.R.T.	Ref. No.	Part No.	Description	Reqd. No. CX500	Serial No.	Area code
		18	91307-611-000	O-RING, 13.5X1.4	1		
		19	94608-50000	O-RING, 23X2.8	2		
		20	95002-41050-08	CLIP, TUBE, 1C.5MM	2		
		21	95700-C6025-00	BCLT, FLANGE, 6X25	6		
		22	95700-C6050-00	BOLT, FLANGE, 6X50	2		

E-3

Cylinder head cover

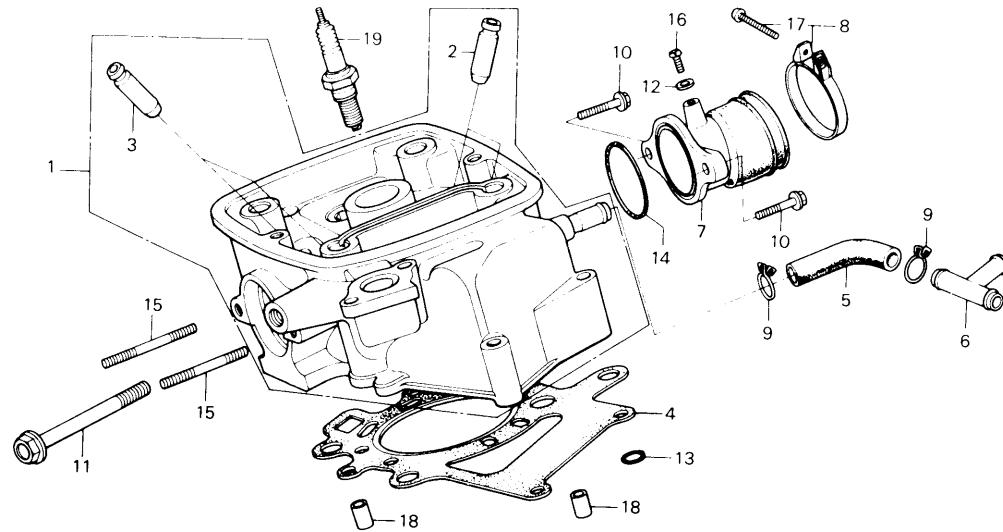


B415-3

Service item	F.R.T.	Ref. No.	Part No.	Description	Reqd. No. CX500	Serial No.	Area code
HOLDER, ROCKER ARM COVER, CYLINDER HEAD	C.8 C.2	1	12215-415-000	HOLDER, ROCKER ARM	2		
		2	12311-415-000	COVER, CYLINDER HEAD	2		
	3	12328-415-000	GASKET, HEAD COVER	2			
	4	12329-415-000	GASKET, PLUG HOLE	2			
	5	90017-371-000	BOLT, SPECIAL, 6X45.5	4			
	6	90021-415-000	BOLT, FLANGE, 12X150	8			
	7	90541-371-000	RUBBER, MOUNT	4			
	8	94301-14200	PIN A, DOWEL, 14X20	4			

E-4

Right cylinder head

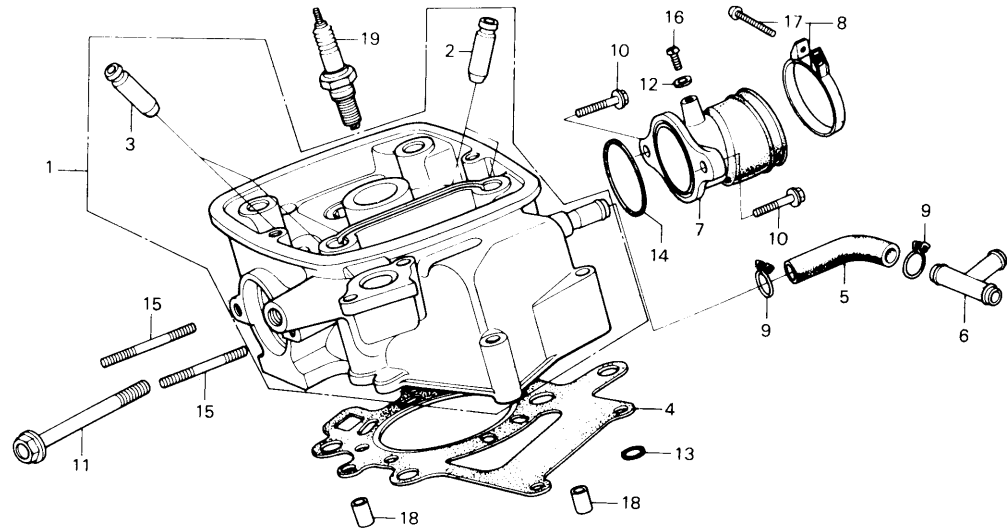


B415 4

Service item	F.R.T.	Ref. No.	Part No.	Description	Reqd. No. CX500	Serial No.	Area code
HEAD COMP., R. CYLINDER	1.9	1	12200-415-000	HEAD COMP., R. CYLINDER	1		
GUIDE, IN. VALVE (INC. REAMING)	1.3	2	12231-415-305	GUIDE, IN. VALVE	2		
(ADD 0.2 FOR EACH.)		3	12241-415-305	GUIDE, EX. VALVE	2		
(EXC. VALVE REFACING)		4	12251-415-003	GASKET, CYLINDER HEAD	1		
(ADD MORE 0.2 IF PERFORMED.)		5	15771-415-000	TUBE, R. BREATHER	1		
GASKET, CYLINDER HEAD	1.0	6	15772-376-000	JOINT, BREATHER THREE WAY	1		
INSULATOR, R. CARBURETOR	0.2	7	16211-415-003	INSULATOR, R. CARBURETOR	1		
BOLT, STUD, 6X55 (ADD 0.1 FOR EACH.)		8	17255-356-000	BAND, CARBURETOR INSULATOR	1		
		9	17724-102-700	CLIP, SUB TANK HOSE	2		
		10	90007-415-000	BOLT, FLANGE, 6X22	2		
		11	90025-415-000	BOLT, FLANGE, 10X75	1		
		12	90452-323-000	WASHER, THRUST, 5MM	1		
		13	91302-044-003	O-RING, 6.9X1.5	1		
		14	91325-567-005	O-RING, 40X2.4	1		
		15	92700-06055	BOLT, STUD, 6X55	2		

E-4

Right cylinder head

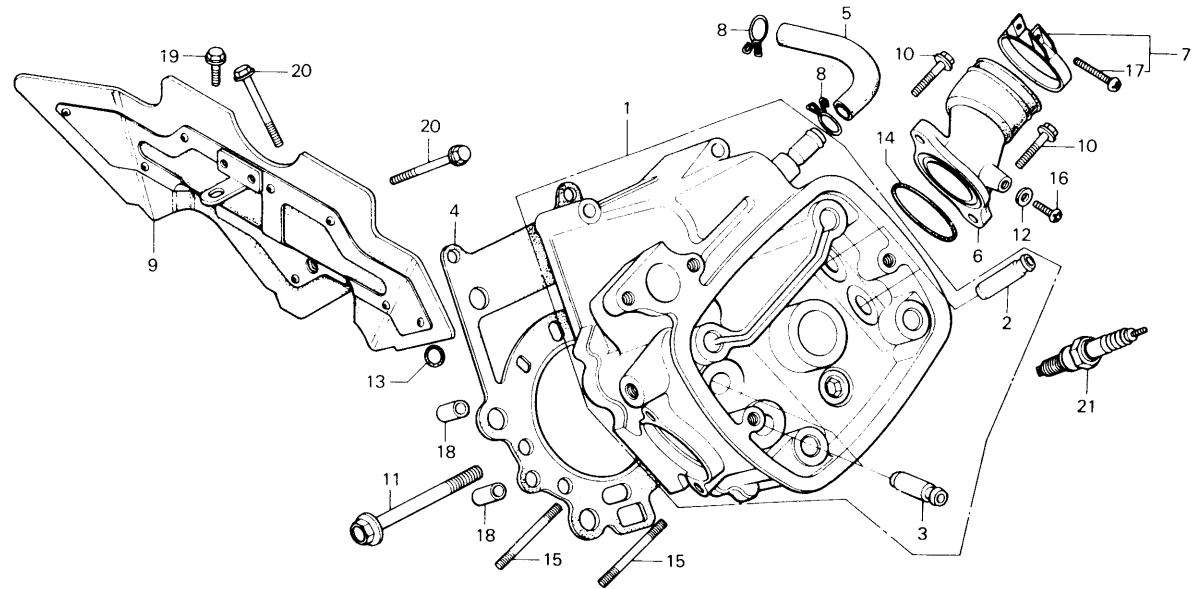


B415-4

Service item	F.R.T.	Ref. No.	Part No.	Description	Reqd. No. CX500	Serial No.	Area code
		16	93500-05008-0A	SCREW, PAN, 5X8	1		
		17	93500-05020-0G	SCREW, PAN, 5X20	1		
		18	94301-08140	PIN A, DOWEL, 8X14	2		
		19	98069-38716	PLUG, SPARK (DR8ES-L NGK)	1		CM, E, ED, F, G2, G, IT, U
			98069-58717	PLUG, SPARK (D-8EA NGK)	1		DK, DM, SA
			98069-58726	PLUG, SPARK (X24ESR-U ND)	1		CM, E, ED, F, G2, G, IT, U
			98069-58727	PLUG, SPARK (X24ES-U ND)	1		DK, DM, SA

E-5

Left cylinder head

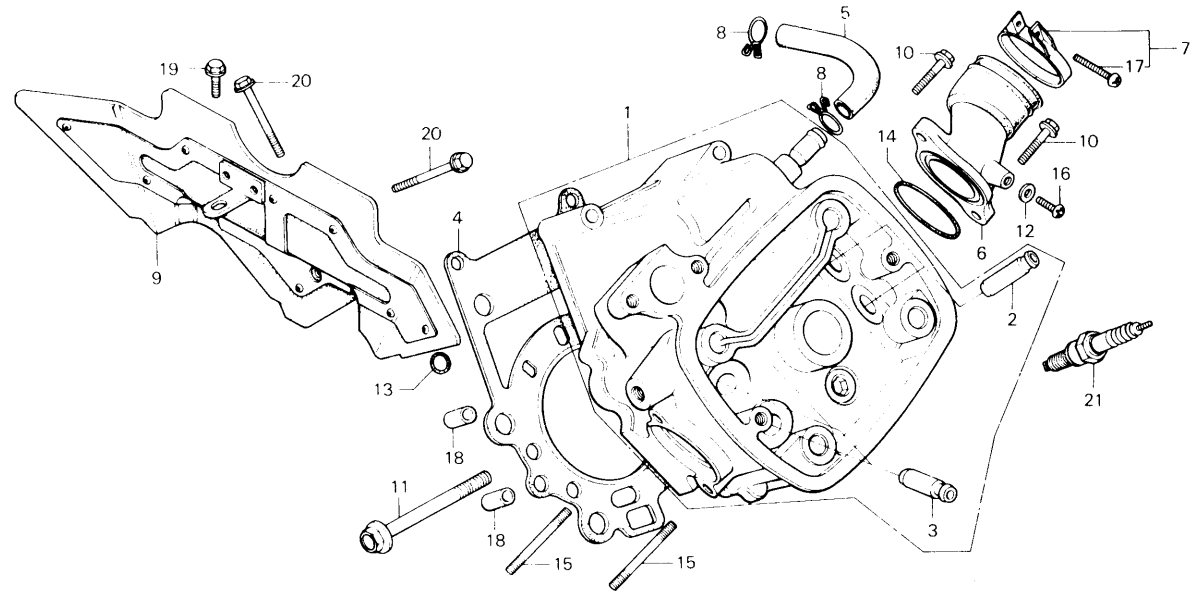


B415-5

Service item	F.R.T.	Ref. No.	Part No.	Description	Reqd. No. CX500	Serial No.	Area code
HEAD COMP., L. CYLINDER	1.9	1	12210-415-CG0	HEAD COMP., L. CYLINDER	1		
GUIDE, VALVE (INC. REAMING)	1.5	2	12231-415-305	GUIDE, IN. VALVE	2		
(ADD 0.2 FOR EACH.)		3	12241-415-305	GUIDE, EX. VALVE	2		
(EXC. VALVE REFACING)		4	12251-415-C03	GASKET, CYLINDER HEAD	1		
(ADD MORE 0.2 IF PERFORMED.)		5	15773-415-000	TUBE, L. BREATHER	1		
GASKET, CYLINDER HEAD	1.0	6	16221-415-003	INSULATOR, L. CARBURETOR	1		
INSULATOR, L. CARBURETOR	0.2	7	17255-356-C00	BAND, CARBURETOR INSULATOR	1		
BOLT, STUD, 6X55 (ADD 0.1 FOR EACH.)		3	17724-1C2-7C0	CLIP, SUB TANK HOSE	2		
SPOILER COMP., AIR	0.3	9	19530-415-C10	SPOILER COMP., AIR	1		
		10	90007-415-000	BOLT, FLANGE, 6X22	2		
		11	90025-415-000	BOLT, FLANGE, 10X75	1		
		12	90452-323-C00	WASHER, THRUST, 5MM	1		
		13	91302-044-C03	O-RING, 6.9X1.5	1		
		14	91325-567-005	O-RING, 4CX2.4	1		
		15	92700-C6C55	BOLT, STUD, 6X55	2		

E-5

Left cylinder head

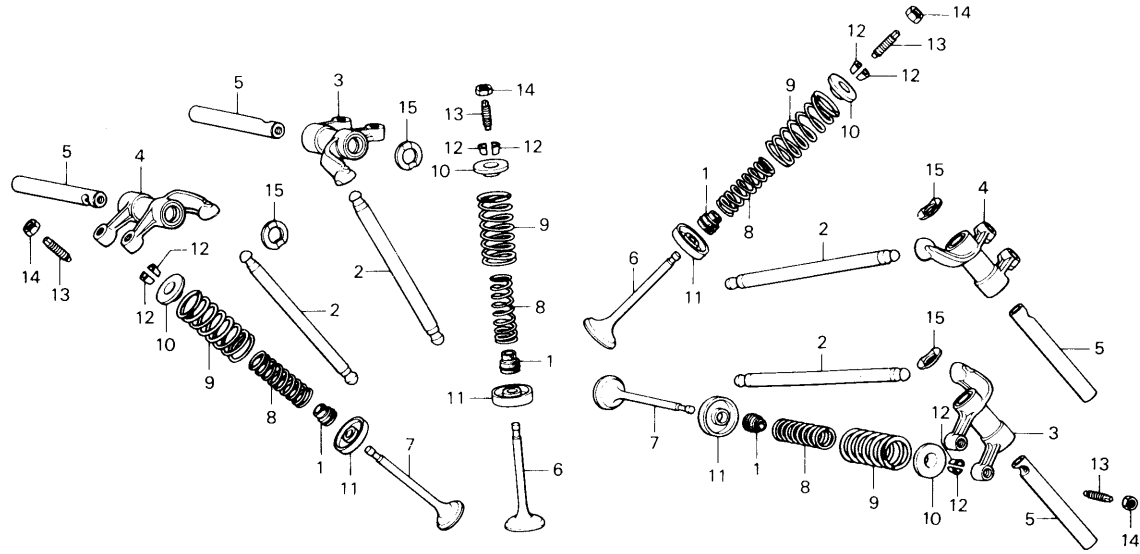


B415-5

Service item	F.R.T.	Ref. No.	Part No.	Description	Reqd. No. CX500	Serial No.	Area code
		16	93500-05008-0A	SCREW, PAN, 5X8	1		
		17	93500-05020-0G	SCREW, PAN, 5X20	1		
		19	94301-C814C	PIN A, DOWEL, 9X14	2		
		19	95700-C6012-00	BOLT, FLANGE, 6X12	1		
		20	95700-06050-00	BOLT, FLANGE, 6X50	2		
		21	98069-38716	PLUG, SPARK (DR8ES-L NGK)	1		CM,E,ED,F,G2,G,IT,U
			98069-58717	PLUG, SPARK (D-8EA NGK)	1		DK,DM,SA
			98069-58726	PLUG, SPARK (X24ESR-U ND)	1		CM,E,ED,F,G2,G,IT,U
			98069-58727	PLUG, SPARK (X24FS-U ND)	1		DK,DM,SA

E-6

Valve • Upper rocker arm

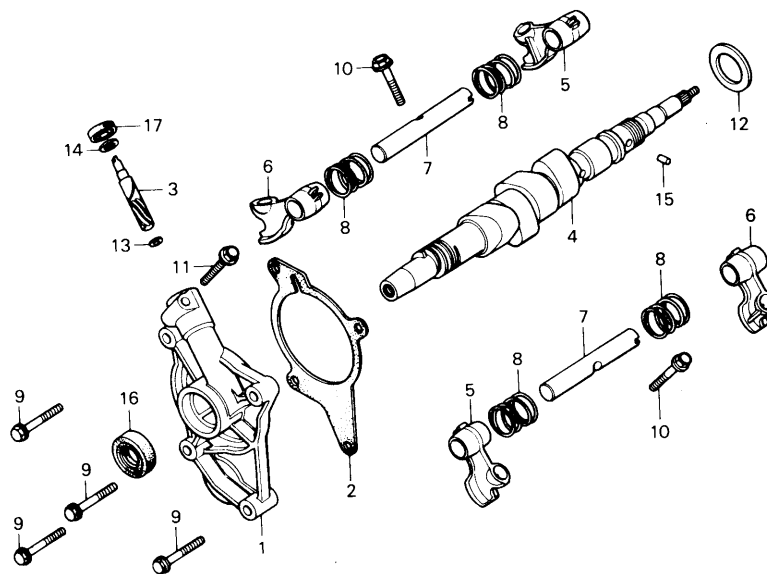


B415-6

Service item	F.R.T.	Ref. No.	Part No.	Description	Reqd. No. CX500	Serial No.	Area code
ARM COMP. UPPER ROCKER	0.8	1	12209-300-003	SEAL, VALVE STEM	8		
INC. RELATIVE PART							
VALVE	1.3	2	14410-415-000	RCD COMP., PUSH	4		
(ADD 0.2 FOR EACH.)		3	14420-415-000	ARM COMP. A, UPPER ROCKER	2		
SPRING, VALVE	1.2	4	14430-415-000	ARM COMP. B, UPPER ROCKER	2		
(ADD 0.1 FOR EACH.)		5	14450-415-000	SHAFT COMP., UPPER ROCKER ARM	4		
		6	14711-415-000	VALVE, IN.	4		
		7	14721-415-000	VALVE, EX.	4		
		8	14751-415-005	SPRING, VALVE INNER	8		
		9	14761-415-005	SPRING, VALVE OUTER	8		
		10	14771-551-C20	RETAINER, VALVE SPRING	8		
		11	14775-300-000	SEAT, VALVE SPRING	8		
		12	14781-551-000	COUPLER, VALVE	16		
		13	90012-415-000	SCREW, TAPPET ADJUSTING	8		
		14	90205-300-000	NUT, TAPPET ADJUSTING	8		
		15	90405-415-000	WASHER, WAVE, 1.5MM	4		

E-7

Camshaft • Lower rocker arm

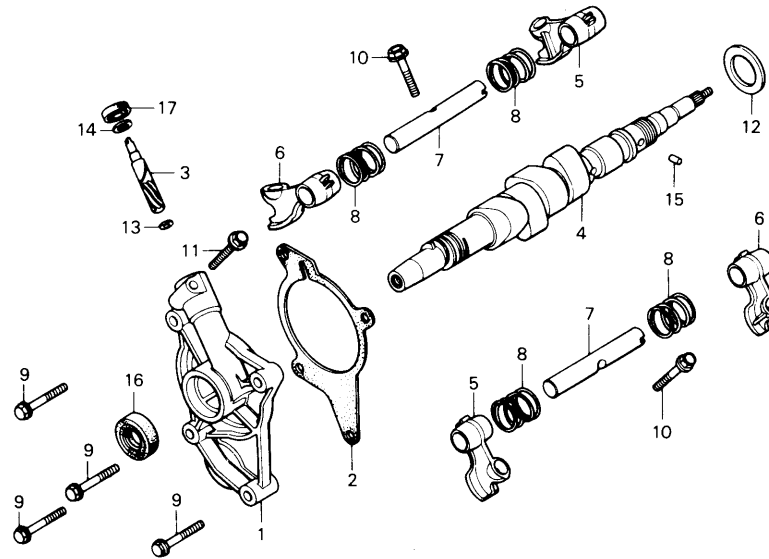


B415-7

Service item	F.R.T.	Ref. No.	Part No.	Description	Reqd. No. CX500	Serial No.	Area code
HOLDER, CAMSHAFT	1.0	1	12221-415-000	HOLDER, CAMSHAFT	1		
GASKET, CAMSHAFT HOLDER	0.8	2	12230-415-000	GASKET, CAMSHAFT HOLDER	1		
GEAR, TACHOMETER	0.9						
INC. RELATIVE PART		3	12431-415-000	GEAR, TACHOMETER	1		
OIL SEAL, 17X28X7		4	14100-415-000	CAMSHAFT COMP.	1		
CAMSHAFT COMP.	*4.2	5	14441-415-000	ARM A, LOWER ROCKER	2		
ARM A, LOWER ROCKER	*3.3						
INC. RELATIVE PART		6	14442-415-000	ARM B, LOWER ROCKER	2		
(ADD 0.6 FOR EACH.)		7	14451-415-000	SHAFT, LOWER ROCKER ARM	2		
		9	14453-415-000	SPRING A, ROCKER ARM	4		
		9	90006-413-000	BOLT, FLANGE, 6X28	4		
		10	90008-415-000	BOLT, SPECIAL, 6X30	2		
		11	90050-357-000	BOLT, SPECIAL FLANGE, 6X22	1		
		12	90407-393-000	WASHER, THRUST, 26MM	1		
		13	90441-044-300	WASHER	1		
		14	90458-324-000	WASHER, THRUST, 6.7MM	1		
		15	91105-415-000	ROLLER, 5X8.5	1		

E-7

Camshaft • Lower rocker arm

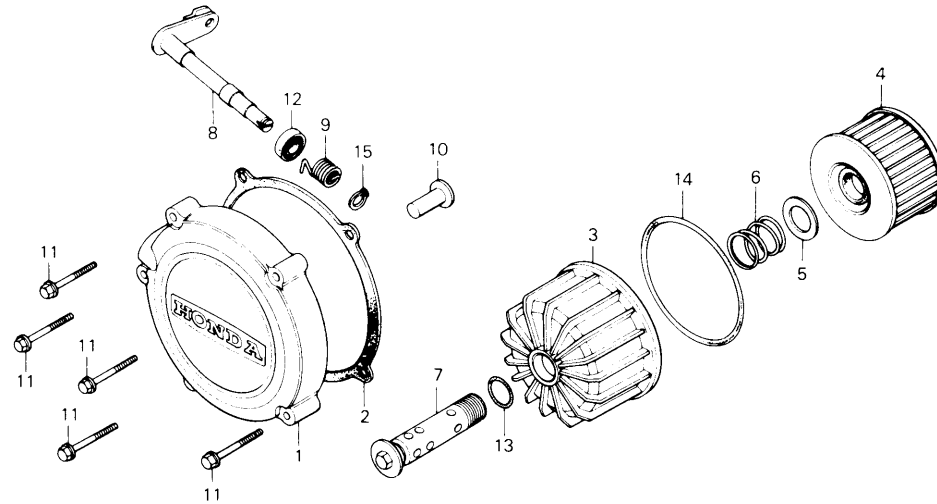


B415-7

Service item	F.R.T.	Ref. No.	Part No.	Description	Reqd. No. CX500	Serial No.	Area code
		16	91201-415-003	OIL SEAL, 17X28X7	1		
		17	91211-415-003	OIL SEAL, 6X14.5X5	1		
			91211-415-004	OIL SEAL, 6X14.5X5	1		

E-8

Clutch cover • Oil filter

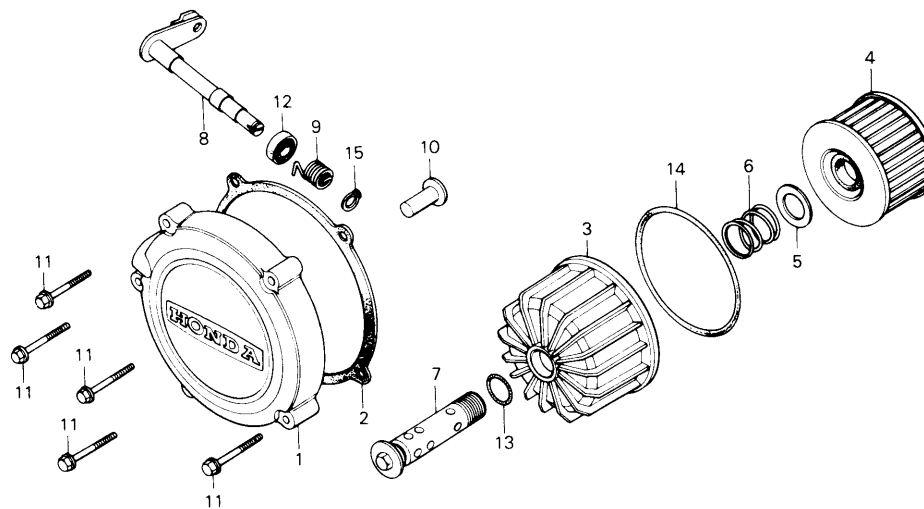


B415-8

Service item	F.R.T.	Ref. No.	Part No.	Description	Reqd. No. CX500	Serial No.	Area code
COVER COMP., CLUTCH GASKET, CLUTCH COVER ELEMENT, OIL FILTER INC. RELATIVE PART SHAFT, CLUTCH LEVER INC. RELATIVE PART	0.4	1	11370-415-000	COVER COMP., CLUTCH	1		
	0.2	2	11372-415-000	GASKET, CLUTCH COVER	1		
	C.3	3	15411-415-000	CASE, OIL FILTER	1		
		4	15412-413-005	ELEMENT, OIL FILTER	1		
		5	15414-300-000	SEAT, OIL FILTER SPRING	1		
		6	15415-413-000	SPRING, FILTER ELEMENT SETTING	1		
		7	15420-415-000	BCLT COMP., OIL FILTER CENTER	1		
		9	22811-415-000	SHAFT, CLUTCH LEVER	1		
		9	22815-413-000	SPRING, CLUTCH LEVER	1		
		10	22847-415-000	ROD, CLUTCH LIFTER	1		
		11	90006-413-000	BCLT, FLANGE, 6X28	5		
		12	91201-951-003	OIL SEAL, 12X18X3	1		
		13	91302-377-000	O-RING, 15X2.5	1		
		14	91311-415-000	O-RING, 81X4.5	1		

E-8

Clutch cover • Oil filter

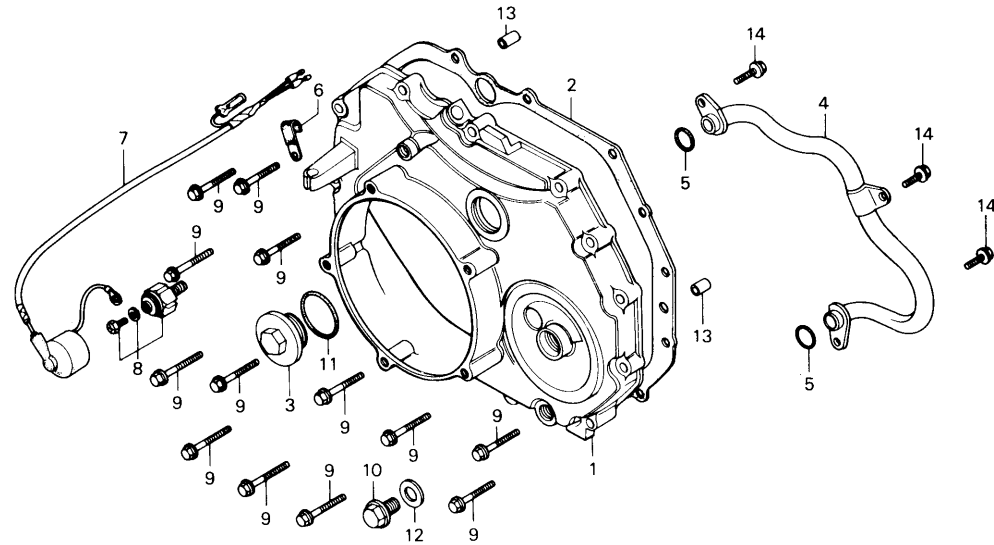


B415-8

Service item	F.R.T.	Ref. No.	Part No.	Description	Reqd. No. CX500	Serial No.	Area code
		15	94510-1C000	CIR CLIP, EXTERNAL, 10	1		

E-9

Transmission cover

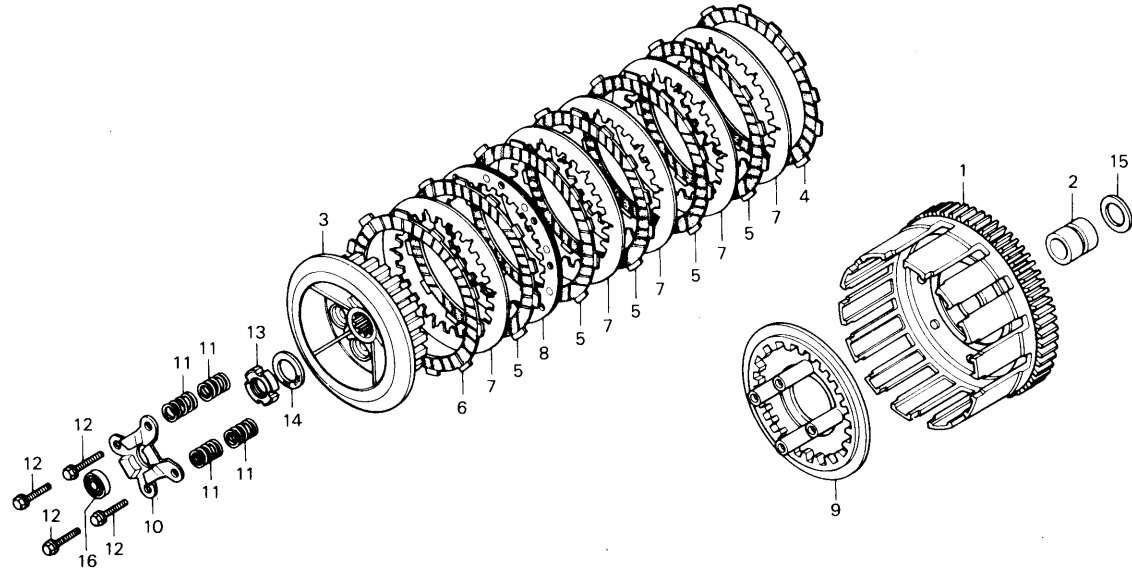


B415-9

Service item	F.R.T.	Ref. No.	Part No.	Description	Reqd. No. CX500	Serial No.	Area code
COVER COMP., TRANSMISSION	1.4	1	11360-415-000	COVER COMP., TRANSMISSION	1		
GASKET, TRANSMISSION COVER	1.1	2	11391-415-000	GASKET, TRANSMISSION COVER	1		
PIPE, OIL PASS	1.2	4	15142-415-000	PIPE, OIL PASS	1		
SUB HARNESS, ENGINE	1.3	7	32220-415-000	SUB HARNESS, ENGINE	1		
SWITCH ASSY., OIL PRESSURE	0.6	8	35500-333-014	SWITCH ASSY., OIL PRESSURE	1		
				(ND)			
		9	90006-413-000	BOLT, FLANGE, 6X28	13		
		10	90030-415-000	BOLT, DRAIN PLUG, 12MM	1		
		11	91302-001-000	O-RING, 27.5MM	1		
		12	94109-120C0	WASHER, DRAIN PLUG, 12MM	1		
		13	94301-C8140	PIN A, DOWEL, 8X14	2		
		14	95700-C6014-00	BOLT, FLANGE, 6X14	3		

E-10

Clutch

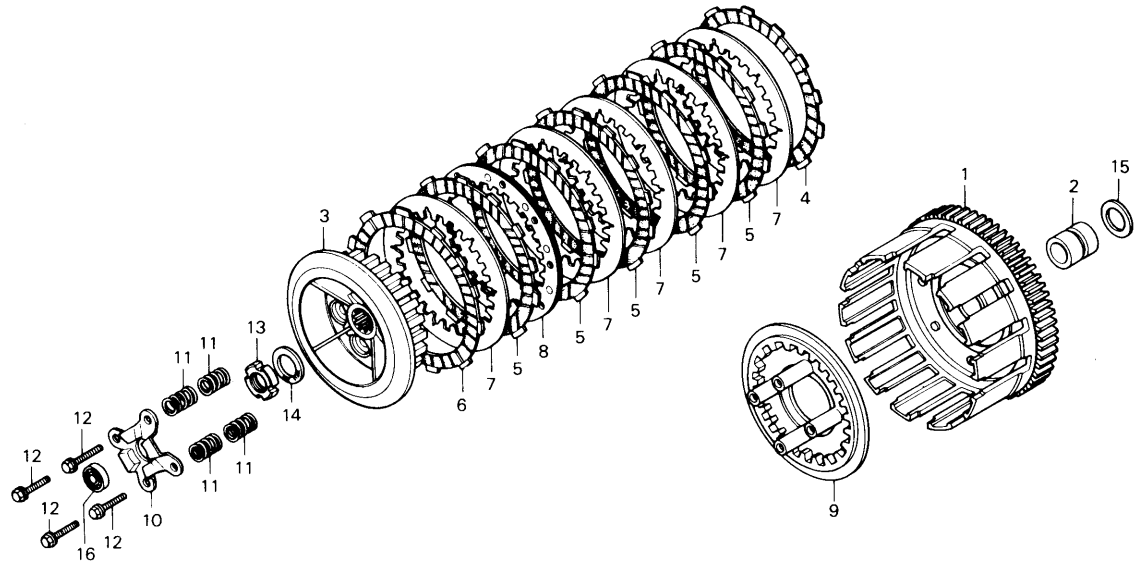


B415-10

Service item	F.R.T.	Ref. No.	Part No.	Description	Reqd. No. CX500	Serial No.	Area code
OUTER COMP., CLUTCH	0.5	1	22100-415-000	OUTER COMP., CLUTCH	1		
CENTER COMP., CLUTCH		2	22116-413-000	GUIDE, CLUTCH OUTER	1		
PLATE, CLUTCH LIFTER	0.3	3	22120-390-000	CENTER COMP., CLUTCH	1		
SPRING, CLUTCH	0.4	4	22201-286-C10	DISK, CLUTCH FRICTION	1		
(ONE OR ALL)		5	22201-415-000	DISK, CLUTCH FRICTION	5		
		6	22202-390-000	DISK B, CLUTCH FRICTION	1		
		7	22321-329-000	PLATE B, CLUTCH	5		
		8	22322-390-000	PLATE COMP. B, CLUTCH	1		
		9	22350-390-000	PLATE, CLUTCH PRESSURE	1		
		10	22361-415-000	PLATE, CLUTCH LIFTER	1		
		11	22401-415-000	SPRING, CLUTCH	4		
		12	90050-357-000	BOLT, SPECIAL FLANGE, 6X22	4		
		13	90204-706-000	NUT, LOCK, 20MM	1		
		14	90432-121-000	WASHER, LOCK	1		
		15	90459-413-000	WASHER, THRUST, 25X42X2.3	1		

E-10

Clutch

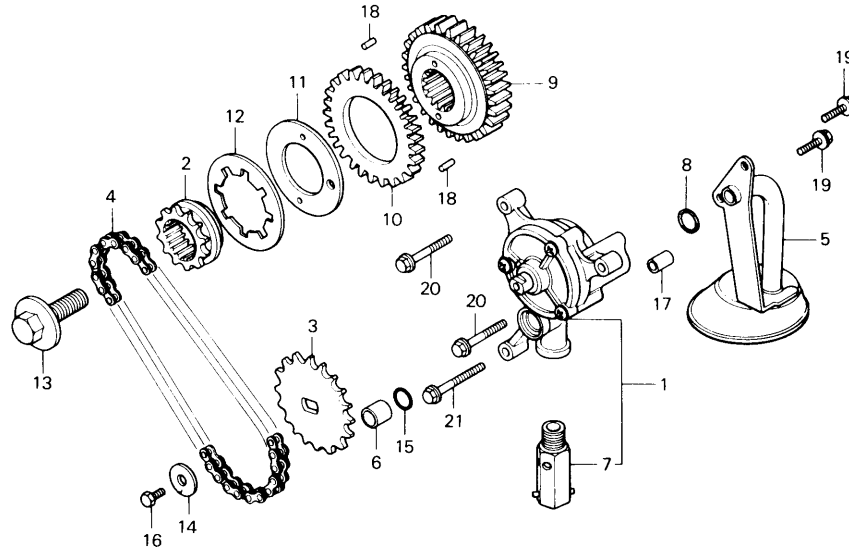


B415-10

Service item	F.R.T.	Ref. No.	Part No.	Description	Reqd. No. CX500	Serial No.	Area code
		15	96100-60000-00	BEARING, RADIAL BALL, 60CC	1		

E-11

Oil pump • Primary drive gear

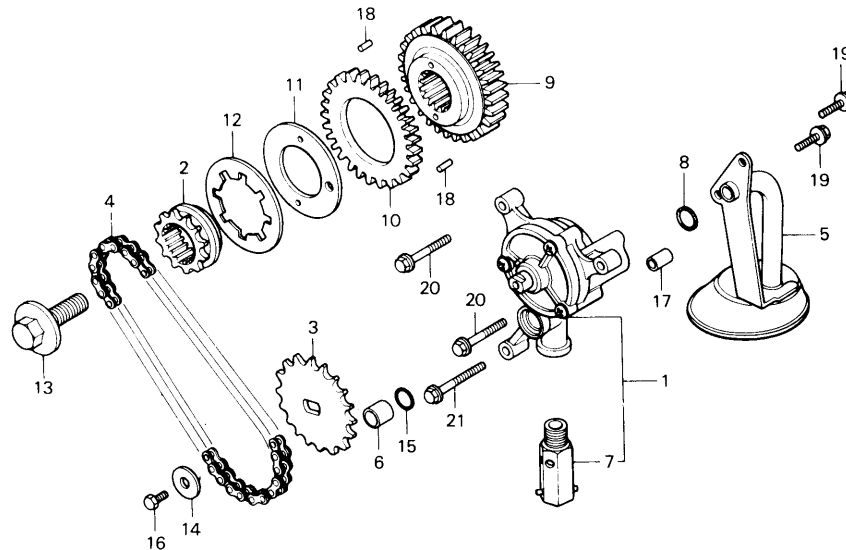


B415-11

Service item	F.R.T.	Ref. No.	Part No.	Description	Reqd. No. CX500	Serial No.	Area code
PUMP ASSY., OIL	1.2	1	15100-415-000	PUMP ASSY., OIL	1		
INC. RELATIVE PART		2	15115-415-000	SPROCKET, OIL PUMP DRIVE	1		
CHAIN, OIL PUMP		3	15116-415-000	SPROCKET, OIL PUMP DRIVEN	1		
BODY, OIL STRAINER		4	15140-415-003	CHAIN, OIL PUMP	1		
SUB GEAR, PRIMARY DRIVE		5	15141-415-000	BODY, OIL STRAINER	1		
INC. RELATIVE PART	1.1	6	15155-300-000	COLLAR, O-RING	1		
VALVE ASSY., RELIEF		7	15220-415-000	VALVE ASSY., RELIEF	1		
GEAR, PRIMARY DRIVE	1.4	8	16997-357-003	O-RING, 11.8X2.4	1		
		9	23121-415-000	GEAR, PRIMARY DRIVE (33T)	1		
		10	23122-415-000	SUB GEAR, PRIMARY DRIVE (32T)	1		
		11	23123-415-000	PLATE, SIDE	1		
		12	23124-415-003	SPRING, DISK	1		
		13	90013-415-000	BOLT, UBS, 12X28	1		
		14	90486-028-000	WASHER, SPARK ADVANCER SETTING	1		

E-11

Oil pump • Primary drive gear

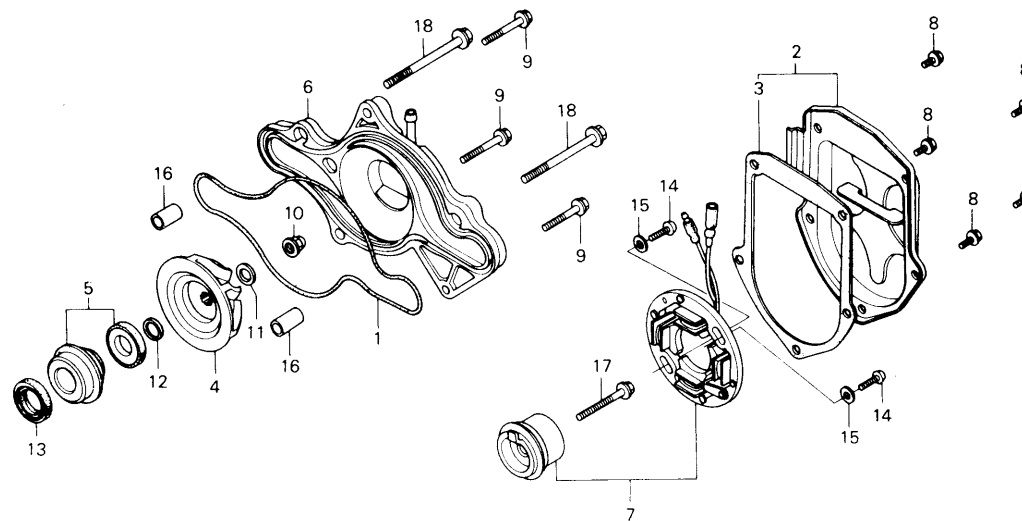


B415-11

Service item	F.R.T.	Ref. No.	Part No.	Description	Reqd. No. CX500	Serial No.	Area code
		15	91301-26E-C20	O-RING, 14MM	1		
		16	92000-06008	BOLT, HEX., 6X8	1		
		17	94301-C8140	PIN A, DOWEL, 8X14	1		
		18	94302-C3050	PIN B, DOWEL, 3X5	2		
		19	95700-06C14-00	BOLT, FLANGE, 6X14	2		
		20	95700-06025-00	BOLT, FLANGE, 6X25	2		
		21	95700-06032-00	BOLT, FLANGE, 6X32	1		

E-12

Water pump • C.D.I. pulser

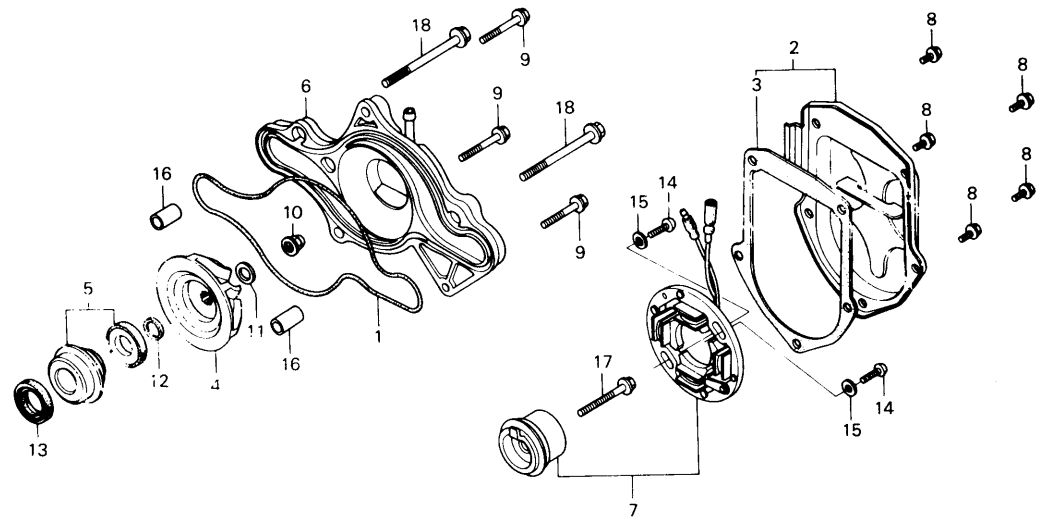


B415-12

Service item	F.R.T.	Ref. No.	Part No.	Description	Reqd. No. CX500	Serial No.	Area code
GASKET, WATER PUMP BASE	1.3	1	11396-415-000	GASKET, WATER PUMP BASE	1		
COVER, WATER PUMP	*2.7	2	11430-415-000	COVER COMP., PULSER	1		
COVER COMP., PULSER							
PULSER ASSY., C.D.I.	1.4	3	11432-415-000	GASKET, PULSER COVER	1		
IMPELLER, WATER PUMP							
SEAL, MECHANICAL	*3.2	4	19215-415-C10	IMPELLER, WATER PUMP	1		
		5	19217-611-000	SEAL, MECHANICAL	1		
		6	19221-415-000	COVER, WATER PUMP	1		
		7	30300-415-005	PULSER ASSY., C.D.I. (HITACHI)	1		
		8	90004-415-000	BOLT, FLANGE, 6X14	5		
		9	90005-415-000	BOLT, FLANGE, 6X25	3		
		10	90201-415-000	NUT, CAP, 6MM	1		
		11	90441-706-000	WASHER, SEALING, 6MM	1		
		12	90453-415-000	WASHER, THRUST, 10MM	1		
		13	91202-283-C13	OIL SEAL, 18X28X6	1		
		14	93500-05016-0A	SCREW, PAN, 5X16	2		

E-12

Water pump · C.D.I. pulser

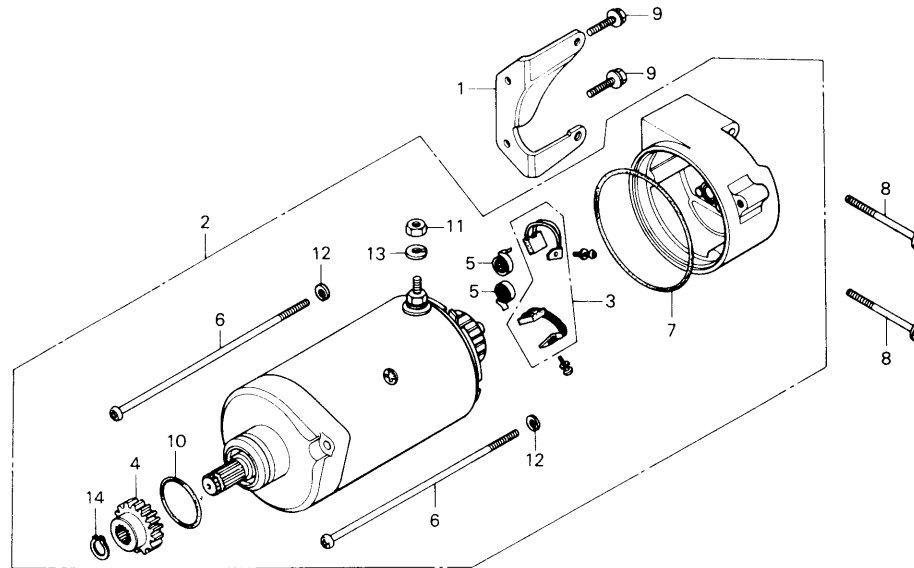


B415-12

Service item	F.R.T.	Ref. No.	Part No.	Description	Reqd. No. CX500	Serial No.	Area code
		15	94101-C5000	WASHER, PLAIN, 5MM	2		
		16	94301-1C160	PIN A, DDWEL, 10X16	2		
		17	95700-06032-00	BOLT, FLANGE, 6X32	1		
		18	95700-C8065-00	BOLT, FLANGE, 8X65	2		

E-13

Starter motor

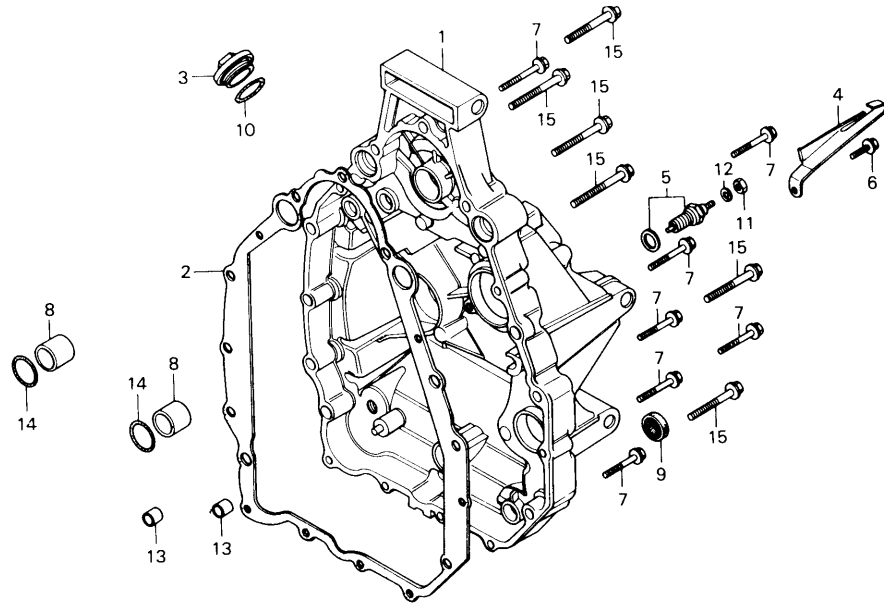


B415-13

Service item	F.R.T.	Ref. No.	Part No.	Description	Reqd. No. CX500	Serial No.	Area code
STAY, STARTER MOTOR	*3.2	1	11312-415-000	STAY, STARTER MOTOR	1		
MOTOR ASSY., STARTER	0.2	2	31200-415-008	MOTOR ASSY., STARTER (MITSUBA)	1		
GEAR, STARTER MOTOR		4	31201-415-000	GEAR, STARTER MOTOR (27T)	1		
BRUSH SET, CARBON	0.4	3	31201-292-158	BRUSH SET, CARBON (MITSUBA)	1		
		5	31204-292-158	SPRING, CARBON BRUSH (MITSUBA)	2		
		6	31205-413-780	BOLT, STARTER MOTOR COVER	2		
		7	31206-415-000	O-RING, 60X1.4	1		
		8	90007-413-000	BOLT, FLANGE, 6X35	2		
		9	90008-413-000	BOLT, FLANGE, 6X18	2		
		10	91309-300-000	O-RING, 24.4X3.1	1		
		11	94002-06000	NUT, HEX., 6MM	1		
		12	94111-05000	WASHER, SPRING, 5MM	2		
		13	94111-06000	WASHER, SPRING, 6MM	1		
		14	94510-11000	CIR CLIP, EXTERNAL, 11	1		

E-14

Rear cover

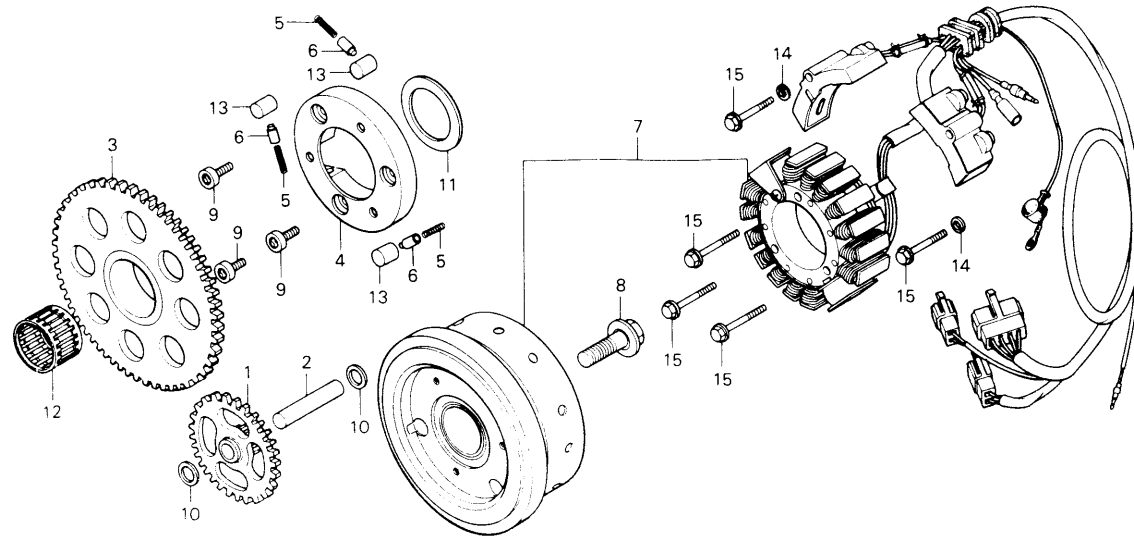


B415-14

Service item	F.R.T.	Ref. No.	Part No.	Description	Reqd. No. CX500	Serial No.	Area code
COVER, RR.	*3.8	1	11310-415-000	COVER, RR.	1		
GASKET, RR. COVER	*3.1	2	11394-415-000	GASKET, RR. COVER	1		
SWITCH ASSY., NEUTRAL	*3.2	3	12361-C35-C00	CAP, TAPPET ADJUSTING HOLE	1		
		4	31140-415-000	GUIDE, NEUTRAL CORD	1		
		5	35600-413-CC3	SWITCH ASSY., NEUTRAL (TOYO)	1		
		6	90004-415-C00	BOLT, FLANGE, 6X14	1		
		7	90006-415-000	BOLT, FLANGE, 6X32	7		
		8	90701-415-000	COLLAR, 22.2MM	2		
		9	91203-023-C20	OIL SEAL, 14X26X7	1		
		10	91302-001-000	O-RING, 27.5MM	1		
		11	94001-C4CC-05	NUT, HEX., 4MM	1		
		12	94111-C48C0	WASHER, SPRING, 4MM	1		
		13	94301-1C16C	PIN A, DOWEL, 1CX16	2		
		14	94608-500C0	O-RING, 23X2.8	2		
		15	95700-08C4C-00	BOLT, FLANGE, 8X40	6		

E-15

Generator

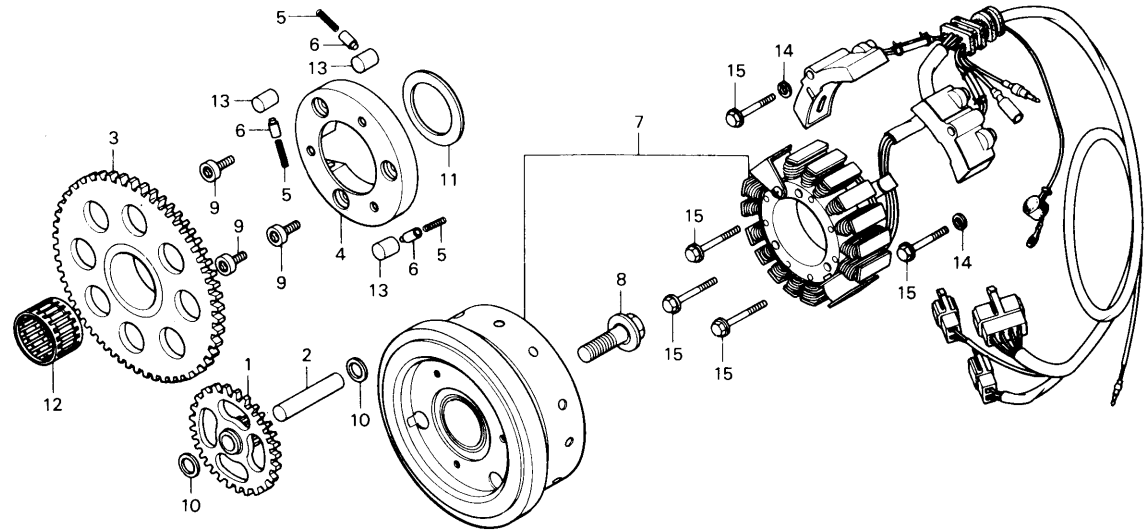


B415-15

Service item	F.R.T.	Ref No	Part No	Description	Reqd. No. CX500	Serial No.	Area code
GEAR, STARTER REDUCTION	*3.2	1	28102-415-000	GEAR, STARTER REDUCTION (78T 11T)	1		
GEAR COMP., STARTING DRIVEN	*3.3	2	28126-415-000	SHAFT, STARTER REDUCTION GEAR	1		
OUTER, STARTING CLUTCH	*3.5	3	28110-415-000	GEAR COMP., STARTING DRIVEN	1		
INC. RELATIVE PART		4	28120-415-000	OUTER, STARTING CLUTCH	1		
GENERATOR, FLYWHEEL A.C.		5	28125-516-030	SPRING, STARTING CLUTCH ROLLER	3		
		6	28126-516-020	CAP, STARTING CLUTCH ROLLER SPRING	3		
		7	31100-415-005	GENERATOR, FLYWHEEL A.C.	1		
		8	90002-415-003	BOLT, A.C. GENERATOR SET, 12X30	1		
		9	90010-415-000	BOLT, SOCKET, 8MM	3		
		10	90451-708-000	WASHER, 12MM	2		
		11	90454-415-000	WASHER, THRUST, 37MM	1		
		12	91021-415-005	BEARING, NEEDLE, 32MM (TOMUSON)	1		

E-15

Generator

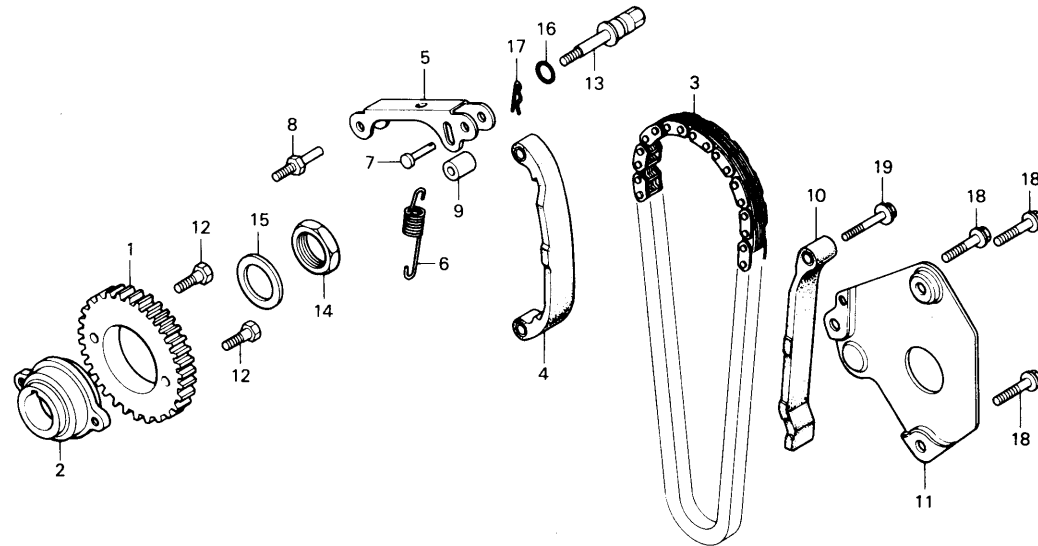


8415-15

Service item	F.R.T.	Ref. No.	Part No.	Description	Reqd. No. CX500	Serial No.	Area code
		13	91101-516-000	ROLLER, 15X13	3		
		14	94111-06000	WASHER, SPRING, 6MM	2		
		15	95700-06040-00	BOLT, FLANGE, 6X40	5		

E-16

Cam chain • Tensioner

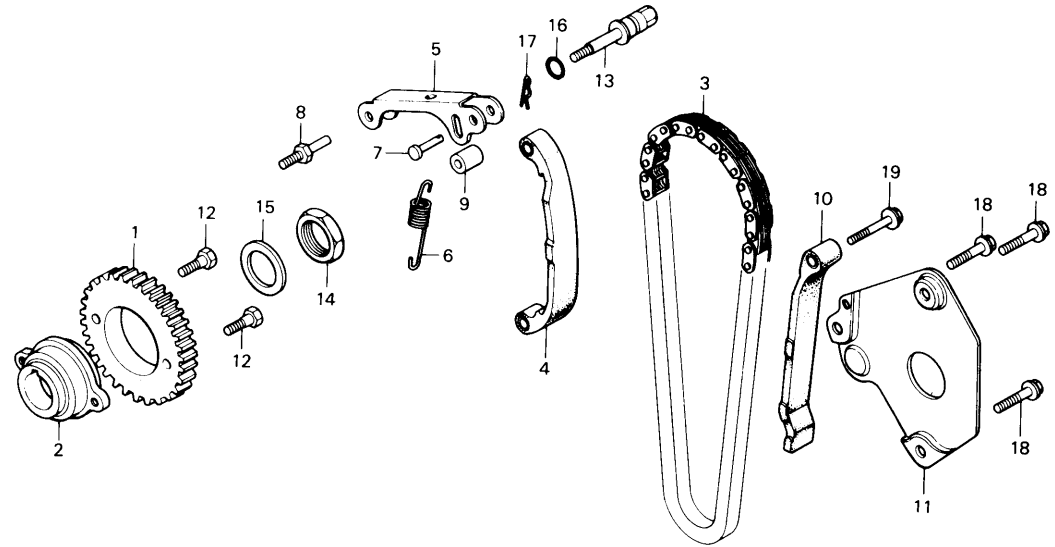


B415-16

Service item	F.R.T.	Ref. No.	Part No.	Description	Reqd. No. CX500	Serial No.	Area code
SPROCKET, CAM	*3.2	1	14321-415-000	SPROCKET, CAM	1		
BOSS, CAM SPROCKET	*3.5	2	14322-415-000	BOSS, CAM SPROCKET	1		
CHAIN, CAM		3	14401-415-003	CHAIN, CAM	1		
TENSIONER, CAM CHAIN		4	14500-415-000	TENSIONER, CAM CHAIN	1		
INC. RELATIVE PART							
PIN, TENSIONER SET	*3.6	5	14510-415-000	ARM, TENSIONER SET	1		
		6	14515-415-000	SPRING, TENSICNER	1		
		7	14518-413-000	PIN, CAM CHAIN TENSIONER	1		
		3	14538-415-000	PIN, TENSIONER SET	1		
		9	14539-415-000	COLLAR, 7X13.2	1		
		10	14620-415-004	GUIDE, CAM CHAIN	1		
		11	14623-415-000	PLATE, CAM CHAIN GUIDE SET	1		
		12	90081-415-000	BDLT, HEX. KNOCK, 7X17	2		
		13	90087-415-000	BOLT, TENSIONER LOCK	1		
		14	90207-415-000	NUT, HEX., 2GMM	1		

E-16

Cam chain • Tensioner

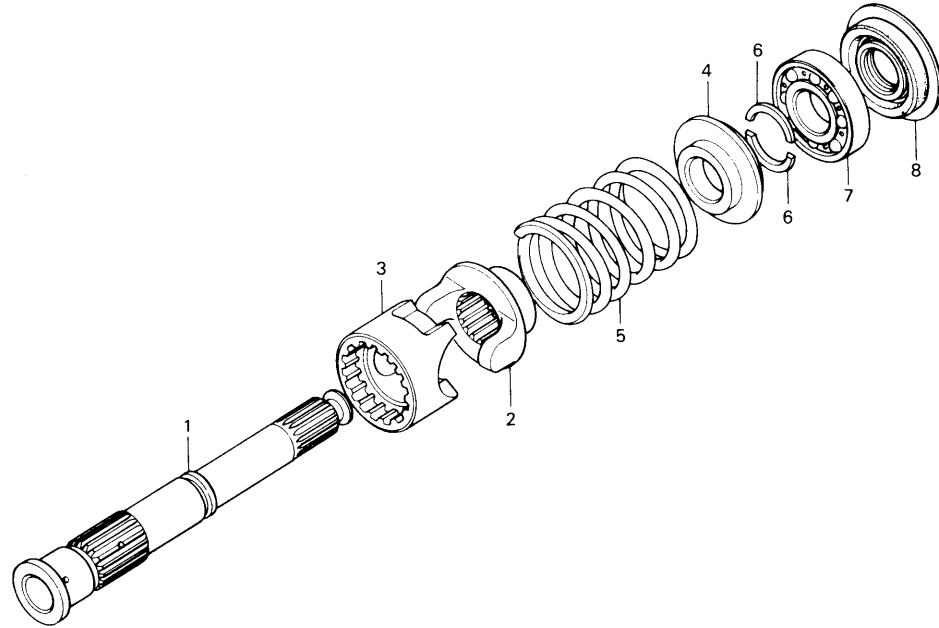


B415-16

Service item	F.R.T.	Ref. No.	Part No.	Description	Reqd. No. CX500	Serial No.	Area code
		15	90432-121-000	WASHER, LOCK	1		
		16	91312-415-000	O-RING, 6.5X3.1	1		
		17	94251-06000	PIN, LOCK, 6MM	1		
		18	95700-06C16-00	BOLT, FLANGE, 5X16	3		
		19	95700-06C28-00	BOLT, FLANGE, 6X28	1		

E-17

Final shaft

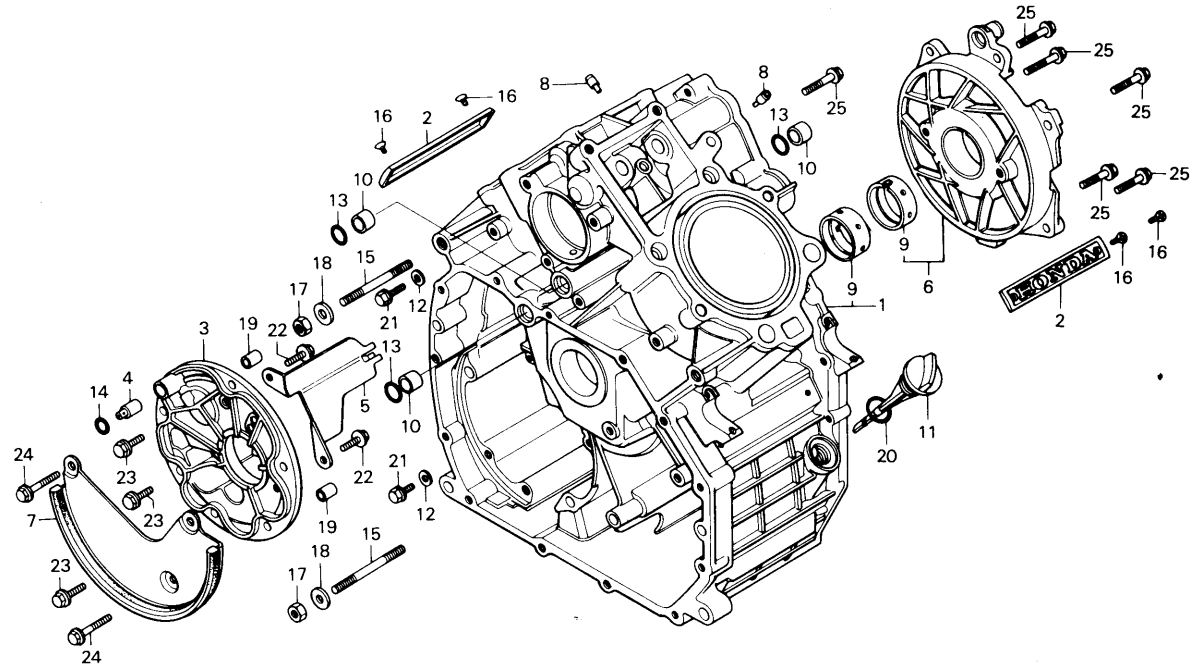


B415-17

Service item	F.R.T.	Ref. No.	Part No.	Description	Reqd. No. CX500	Serial No.	Area code
SHAFT, FINAL INC. RELATIVE PART BEARING, BALL, 62/22 OIL SEAL, 22X36X7	*3.2	1	23521-415-000	SHAFT, FINAL	1		
		2	23721-415-000	LIFTER, DAMPER	1		
		3	23722-415-000	CAM, DAMPER	1		
		4	23731-371-000	STOPPER, DAMPER SPRING	1		
		5	23732-415-000	SPRING, DAMPER	1		
		6	23733-371-000	WASHER, SPRING STOPPER	2		
		7	91005-634-004	BEARING, BALL, 62/22 (KOYO)	1		
			91005-634-008	BEARING, BALL, 62/22 (TOYO)	1		
		8	91202-415-003	OIL SEAL, 22X36X7	1		
			91202-415-004	OIL SEAL, 22X36X7	1		

E-18

Cylinder block



B415-18

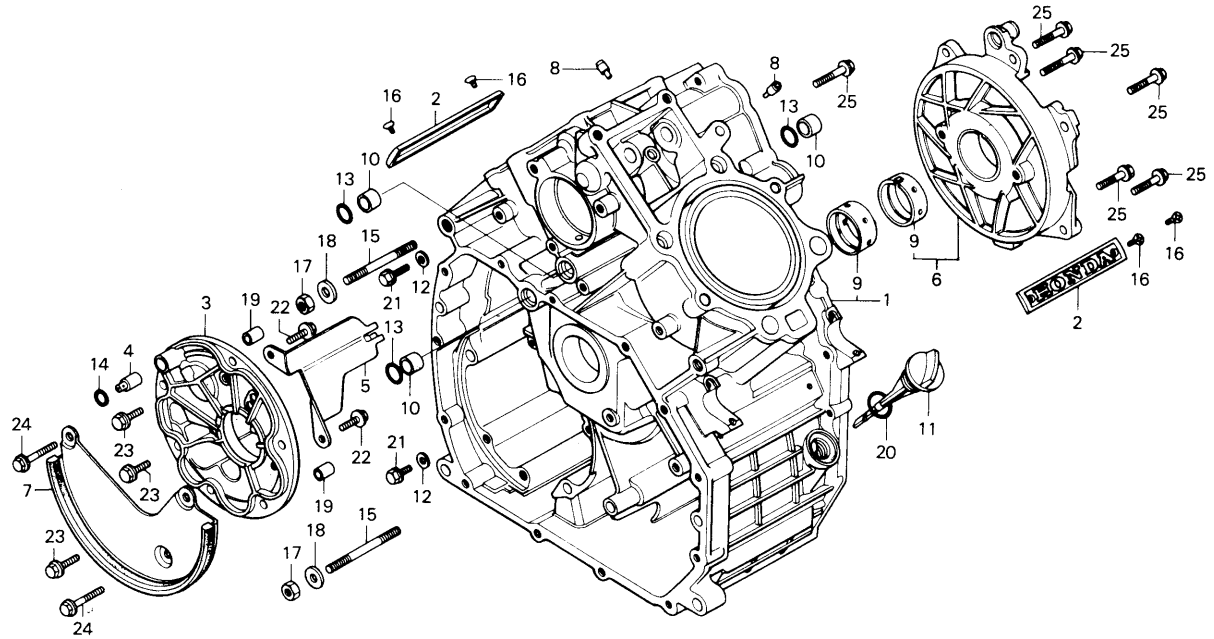
Service item	F.R.T.	Ref. No.	Part No.	Description	Reqd. No. CX500	Serial No.	Area code
BLOCK COMP., CYLINDER EMBLEM, CYLINDER BLOCCK	*5.9 C.1	1	11100-415-C10	BLOCK COMP., CYLINDER	1		
HOLDER, TRANSMISSION	*3.7	2	11105-415-670	EMBLEM, CYLINDER BLOCK	2		
SEPARATOR COMP., OIL	*3.5	3	11131-415-000	HOLDER, TRANSMISSION	1		
9CLT, STUD, 1CX90	1.0	4	11132-415-000	ORIFICE, 8MM	1		
(ADD 0.1 FOR EACH.)		5	11133-415-000	PLATE, TRANSMISSION HOLDER	1		
CRANK SHAFT CAP COMP.	*5.4	6	11140-415-000	CAP COMP., CRANKSHAFT	1		
		7	11365-415-000	SEPARATOR COMP., OIL	1		
		9	12901-413-C00	VALVE, OIL CONTROL ORIFICE	2		
		9	13325-415-305	BEARING A, MAIN (BLUE)	2		
			13326-415-305	BEARING B, MAIN (BLACK)	2		
			13327-415-305	BEARING C, MAIN (BROWN)	2		
		10	15155-300-000	COLLAR, O-RING	3		
		11	15650-415-000	GAUGE, OIL LEVEL	1		
		12	90461-357-000	WASHER, SEALING, 12MM	2		

Crankshaft bearing selection
(Oil clearance 20~60μ)

		Cylinder block and bearing cap I.D. 47φ	
Crankshaft O.D. 43φ		0 +0.010	+0.010 +0.020
A	0 -0.010	13327-415-305 C (Brown)	13326-415-305 B (Black)
B	-0.010 -0.020	13326-415-305 B (Black)	13325-415-305 A (Blue)

E-18

Cylinder block

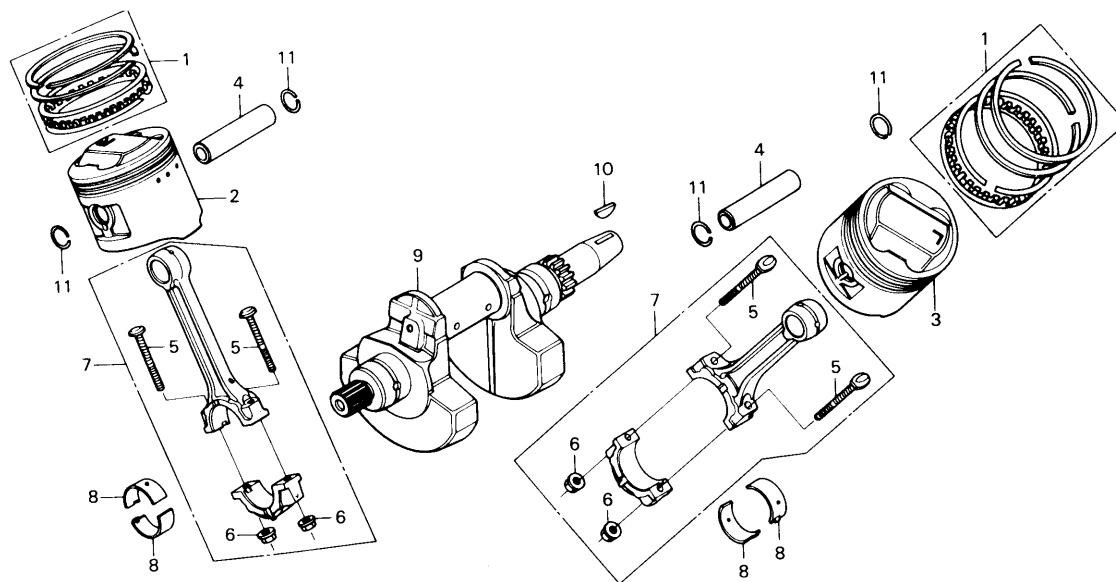


B415-18

Service item	F.R.T.	Ref. No.	Part No.	Description	Reqd. No. CX500	Serial No.	Area code
		13	91301-268-C20	O-RING, 14MM	3		
		14	91303-001-C00	O-RING, 8MM	1		
		15	92700-1C090	BOLT, STUD, 10X90	2		
		16	93902-34180	SCREW, TAPPING, 4X8	4		
		17	94001-10000-0S	NUT, HEX., 10MM	2		
		18	94101-1C000	WASHER, PLAIN, 10MM	2		
		19	94301-08140	PIN A, DOWEL, 8X14	2		
		20	94608-50000	O-RING, 23X2.8	1		
		21	95700-C6G12-00	BOLT, FLANGE, 6X12	2		
		22	95700-06G16-00	BOLT, FLANGE, 6X16	2		
		23	95700-C602C-00	BOLT, FLANGE, 6X20	4		
		24	95700-06G32-00	BOLT, FLANGE, 6X32	2		
		25	95700-08C25-00	BOLT, FLANGE, 8X25	7		

E-19

Crankshaft · Piston



B415-19

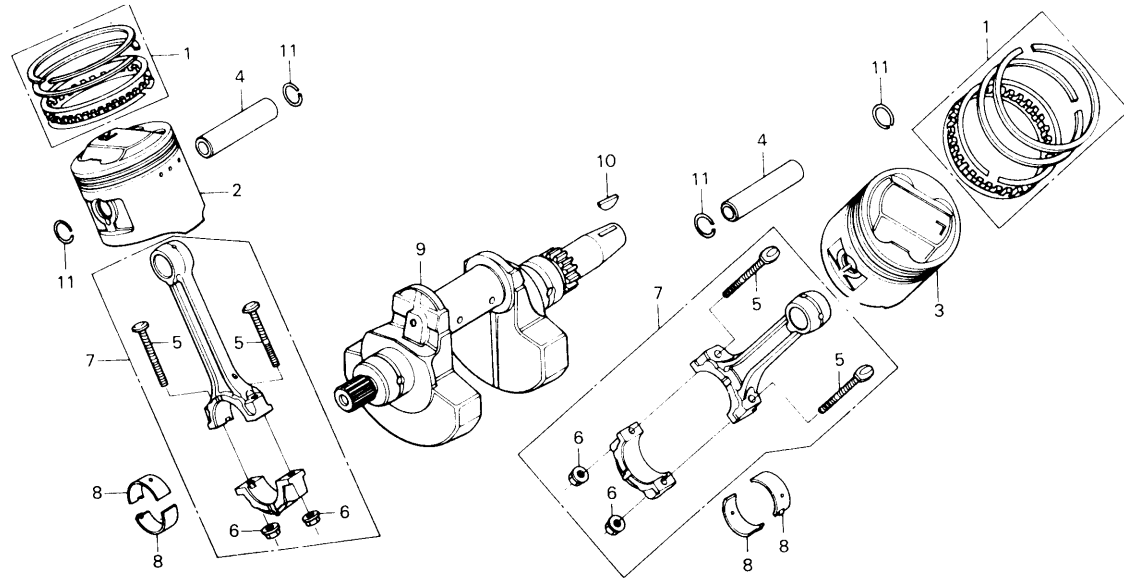
Service item	F.R.T.	Ref. No.	Part No.	Description	Reqd. No. CX500	Serial No.	Area code
PISTON, R.	*4.1	1	13011-415-003	RING SET, PISTON (STD. NIPPON)	2		
PISTON, L.	*3.3						
PIN, PISTON (L. SIDE*3.2)	*4.0		13011-415-004	RING SET, PISTON (STD. RIKEN)	2		
ROD ASSY., CONNECTING (L. SIDE*3.5)	*4.3		13021-415-C03	RING SET, PISTON (0.25 NIPPON)	(2)		
CRANKSHAFT COMP.	*5.4		13021-415-004	RING SET, PISTON (0.25 RIKEN)	(2)		
			13031-415-C03	RING SET, PISTON (0.50 NIPPON)	(2)		
			13031-415-C04	RING SET, PISTON (0.50 RIKEN)	(2)		
		2	13101-415-000	PISTON, R. (STD.)	1		
			13103-415-000	PISTON, R. (0.25)	(1)		
			13105-415-000	PISTON, R. (0.50)	(1)		
		3	13102-415-000	PISTON, L. (STD.)	1		
			13104-415-000	PISTON, L. (0.25)	(1)		
			13106-415-000	PISTON, L. (0.50)	(1)		
		4	13111-415-C00	PIN, PISTON	2		
		5	13204-415-C10	BOLT, CONNECTING ROD	4		

Connecting rod bearing selection
(Oil clearance 20~44 μ)

Connecting rod I.D. 43 ϕ		Crank pin O.D. 40 ϕ		
		1	2	3
0 ~ +0.008		13219-415-013 E (Yellow)	13218-415-013 D (Green)	13217-415-013 C (Brown)
A	-0.008	13218-415-013 D (Green)	13217-415-013 C (Brown)	13216-415-013 B (Black)
B	-0.016	13217-415-013 C (Brown)	13216-415-013 B (Black)	13215-415-013 A (Blue)
C	-0.016 ~ -0.024	13217-415-013 C (Brown)	13216-415-013 B (Black)	13215-415-013 A (Blue)

E-19

Crankshaft - Piston

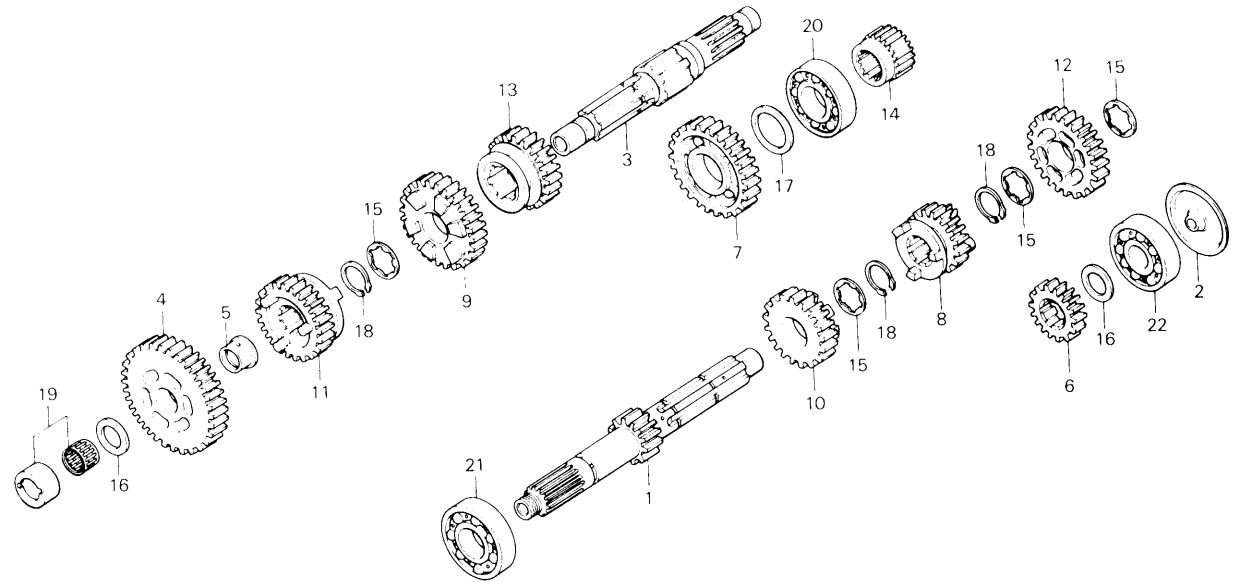


B415-19

Service item	F.R.T.	Ref. No.	Part No.	Description	Reqd. No. CX500	Serial No.	Area code
		6	13205-634-010	NUT, CONNECTING ROD	4		
		7	13210-415-C10	ROD ASSY., CONNECTING	2		
		9	13215-415-013	BEARING A, CONNECTING ROD	4		
				(BLUE)			
			13216-415-C13	BEARING B, CONNECTING ROD	4		
				(BLACK)			
			13217-415-C13	BEARING C, CONNECTING ROD	4		
				(BROWN)			
			13218-415-C13	BEARING D, CONNECTING ROD	4		
				(GREEN)			
			13219-415-013	BEARING E, CONNECTING ROD	4		
				(YELLOW)			
		9	13300-415-000	CRANKSHAFT COMP.	1		
		1C	944C1-25180	KEY, WOODRUFF, 25X18	1		
		11	94601-21000	CLIP, PISTON PIN, 21MM	4		

E-20

Transmission

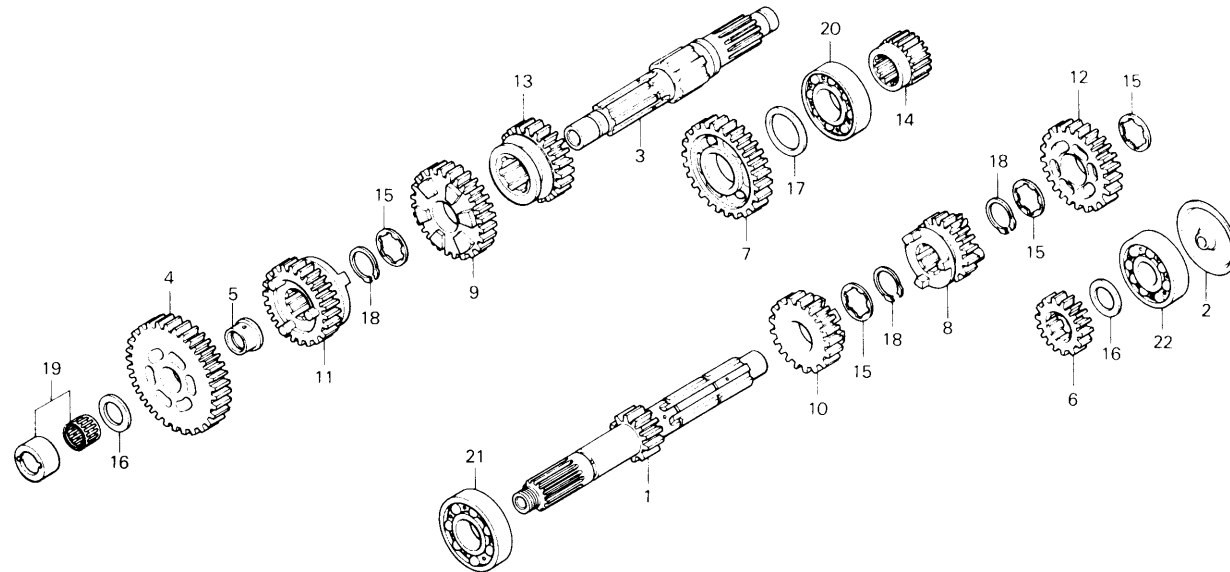


B415-20

Service item	F.R.T.	Ref. No.	Part No.	Description	Reqd. No. CX500	Serial No.	Area code	
MAINSHAFT COMP., TRANSMISSION INC. RELATIVE PART COUNTERSHAFT INC. RELATIVE PART	*3.9	1	23211-415-010	MAINSHAFT COMP., TRANSMISSION	1			
					(15T)			
		2	23219-415-000	PLATE, OIL GUIDE	1			
		3	23220-415-000	COUNTERSHAFT	1			
		4	23421-413-000	GEAR, COUNTERSHAFT FIRST (41T)	1			
		5	23422-413-000	BUSH, 20MM	1			
		6	23431-413-000	GEAR, MAINSHAFT SECOND (20T)	1			
		7	23441-413-000	GEAR, COUNTERSHAFT SECOND	1			
					(37T)			
		8	23451-413-000	GEAR, MAINSHAFT THIRD (24T)	1			
		9	23461-413-000	GEAR, COUNTERSHAFT THIRD (34T)	1			
10	23471-415-000	GEAR, MAINSHAFT FOURTH (27T)	1					
11	23481-413-000	GEAR, COUNTERSHAFT FOURTH	1					
			(31T)					

E-20

Transmission

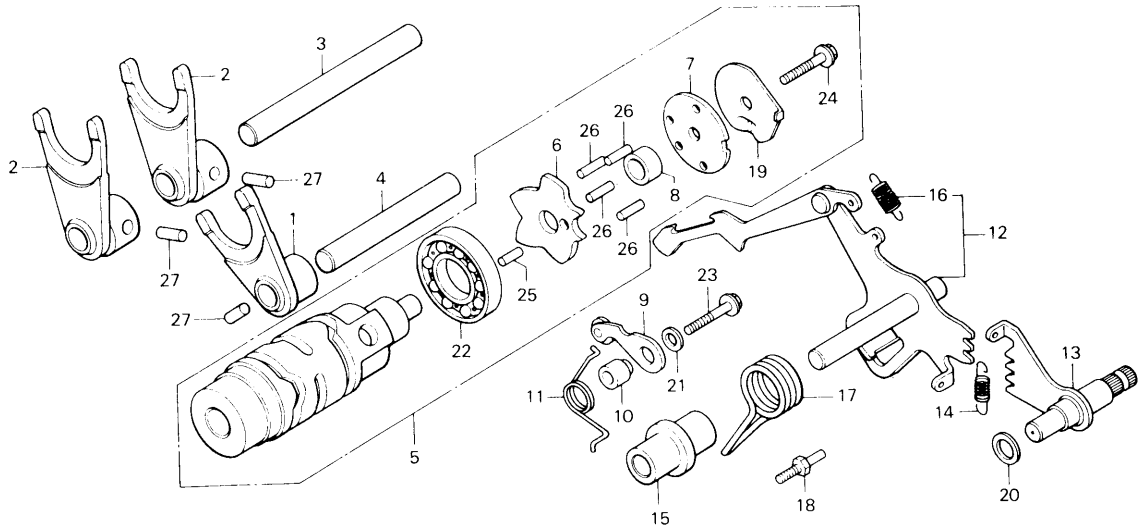


B415-20

Service item	F.R.T.	Ref. No.	Part No.	Description	Reqd. No. CX500	Serial No.	Area code
		12	23491-415-000	GEAR, MAINSHAFT FIFTH (29T)	1		
		13	23501-415-000	GEAR, COUNTERSHAFT FIFTH (27T)	1		
		14	23522-415-000	COLLAR, COUNTERSHAFT	1		
		15	90451-413-000	WASHER, THRUST, 25MM	4		
		16	90452-413-000	WASHER, THRUST, 20MM	2		
		17	90452-415-000	WASHER, THRUST, 25MM	1		
		18	90601-300-000	CIR CLIP, 25MM	3		
		19	91022-415-008	BEARING, NEEDLE, 20MM	1		
		20	96100-62050-00	BEARING, RADIAL BALL, 6205	1		
		21	96100-63051-00	BEARING, RADIAL BALL, 6305	1		
		22	96140-62040-00	BEARING, RADIAL BALL, 6204U	1		

E-21

Shift drum • Shift fork

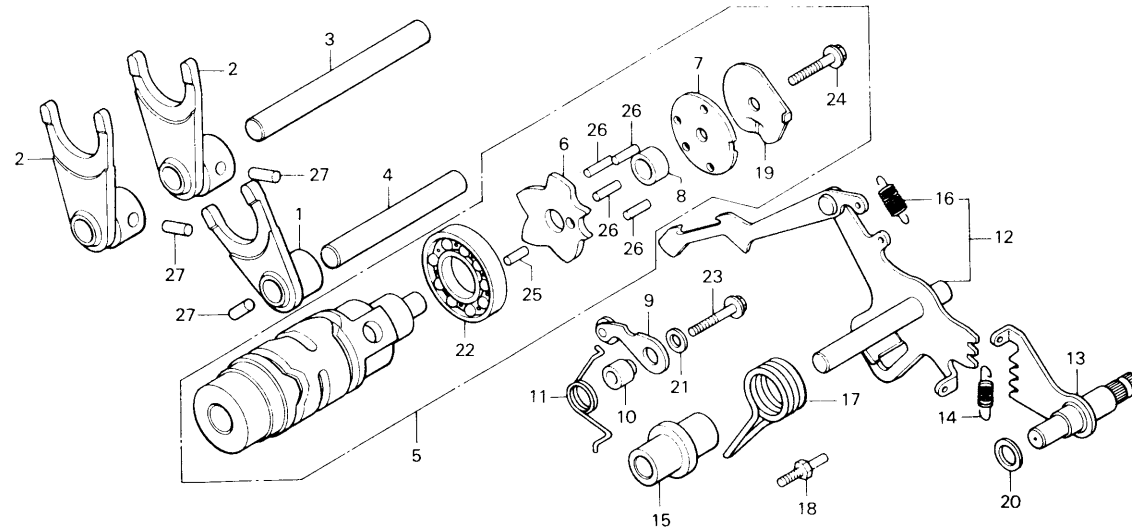


B415-21

Service item	F.R.T.	Ref. No.	Part No.	Description	Reqd. No. CX500	Serial No.	Area code
DRUM COMP., GEARSHIFT	3.7	1	24216-413-000	FORK, MAINSHAFT THIRD SHIFT	1		
INC. RELATIVE PART							
PLATE, DRUM CAM	3.2	2	24221-413-000	FORK, COUNTERSHAFT FIFTH SHIFT	2		
INC. RELATIVE PART							
STOPPER COMP., SHIFT DRUM		3	24241-413-000	SHAFT, SHIFT FORK GUIDE	1		
INC. RELATIVE PART							
ARM COMP., GEARSHIFT		4	24241-415-000	SHAFT, SHIFT FORK GUIDE	1		
INC. RELATIVE PART							
		5	24300-415-000	DRUM COMP., GEARSHIFT	1		
		6	24303-415-000	PLATE, DRUM CAM	1		
		7	24304-415-000	PLATE, DRUM CENTER	1		
		8	24305-415-000	COLLAR, DRUM CENTER	1		
		9	24430-413-000	STOPPER COMP., SHIFT DRUM	1		
		10	24432-413-000	COLLAR, SHIFT DRUM STOPPER	1		
		11	24435-415-000	SPRING, DRUM STOPPER	1		

E-21

Shift drum • Shift fork

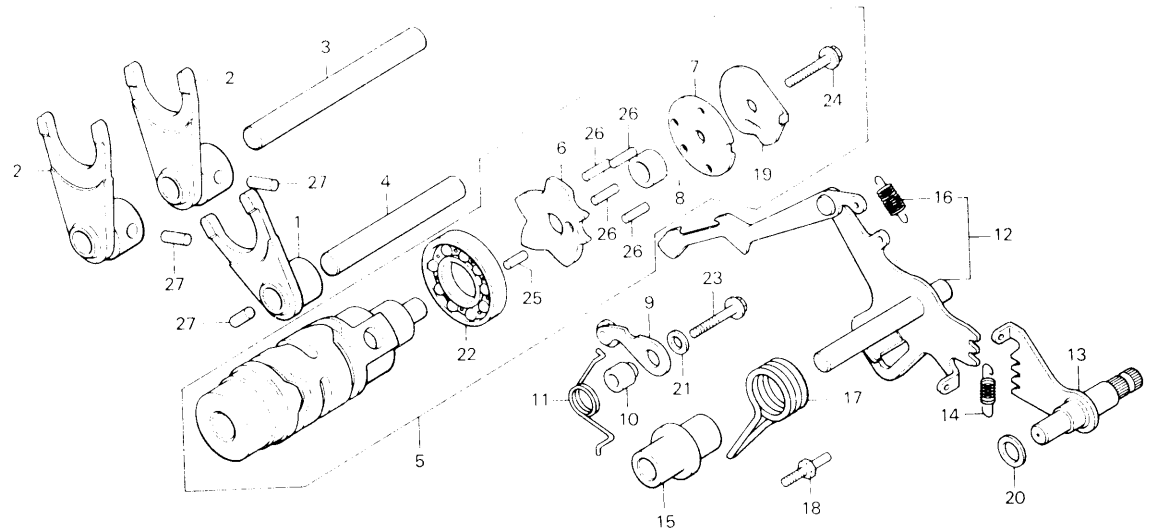


B415-21

Service item	F.R.T.	Ref. No.	Part No.	Description	Reqd. No. CX500	Serial No.	Area code
		12	24610-415-000	ARM COMP., GEARSHIFT	1		
		13	24620-415-000	SPINDLE COMP., GEARSHIFT	1		
		14	24623-415-000	SPRING, GEARSHIFT	1		
		15	24624-415-000	COLLAR, SHIFT ARM	1		
		16	24641-216-000	SPRING, GEARSHIFT ARM	1		
		17	24651-333-000	SPRING, GEARSHIFT RETURN	1		
		18	24652-259-000	PIN, SHIFT RETURN SPRING	1		
		19	35753-415-000	PLATE, POINT	1		
		20	90451-708-000	WASHER, 12MM	1		
		21	90486-028-000	WASHER, SPARK ADVANCER SETTING	1		
		22	91008-374-C03	BEARING, BALL, 16C05 (TOYC)	1		
		23	95700-06C25-00	BCLT, FLANGE, 6X25	1		

E-21

Shift drum • Shift fork

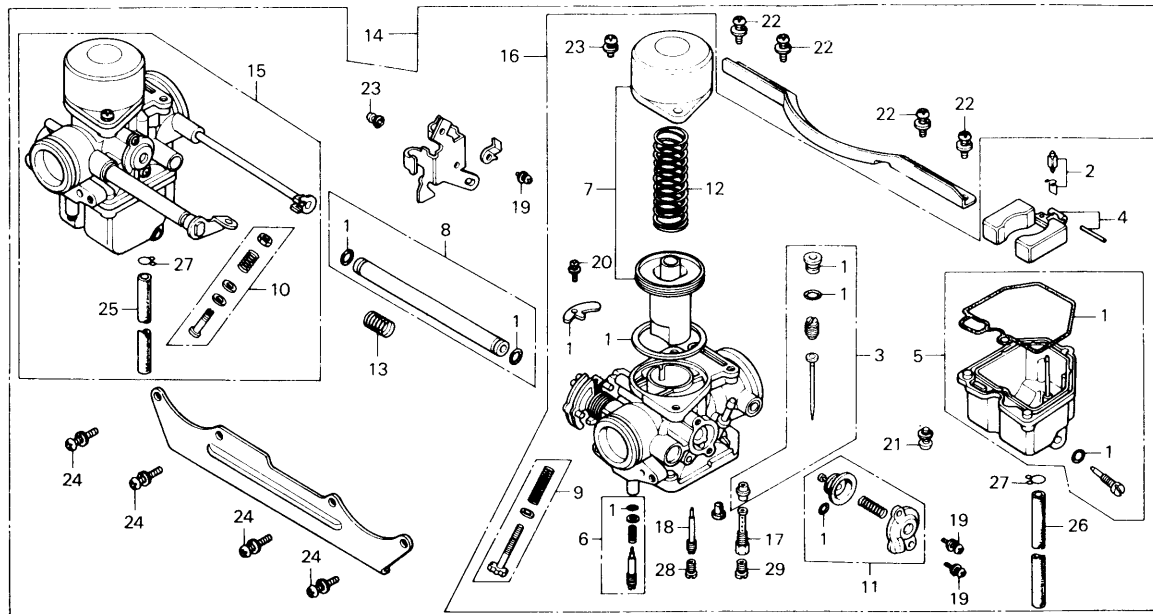


B415 21

Service item	F.R.T.	Ref. No.	Part No.	Description	Reqd. No. CX500	Serial No.	Area code
		24	95725-06025-00	BELT, FLANGE, 6X25	1		
		25	96220-40118	ROLLER, 4X11.8	1		
		25	96220-40140	ROLLER, 4X14	4		
		27	96220-60130	ROLLER, 6X13	3		

E-22

Carburetor

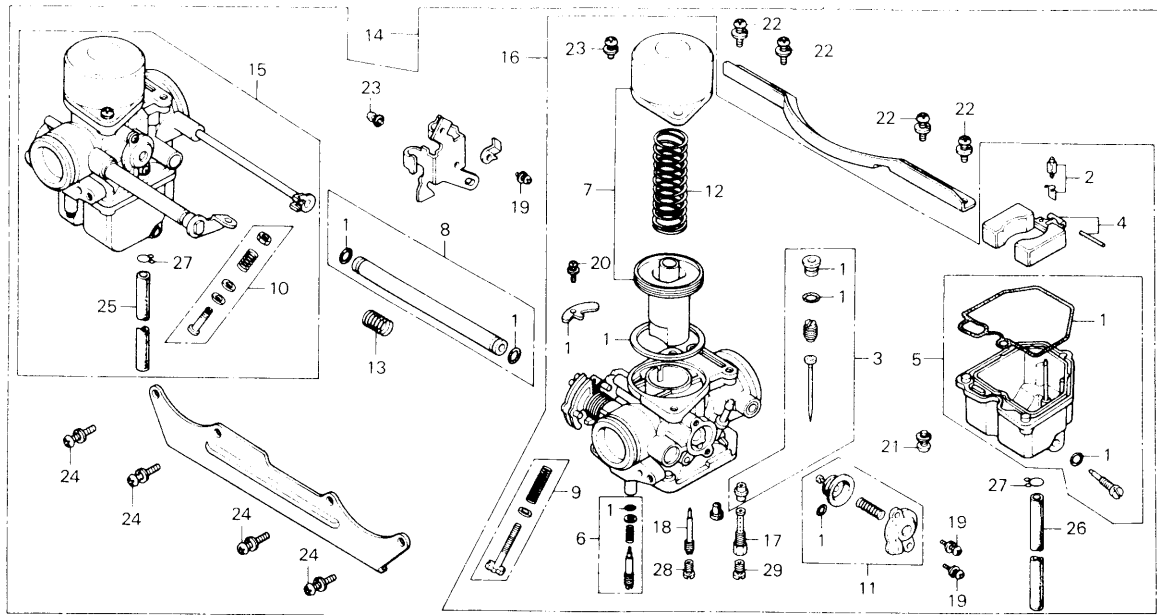


B415-22

Service item	F.R.T.	Ref. No.	Part No.	Description	Reqd. No. CX500	Serial No.	Area code
PACKING SET (ADD 0.6 FOR EACH.)	1.2	1	16010-415-003	PACKING SET	2		
VALVE SET, FLOAT	1.0	2	16011-393-004	VALVE SET, FLOAT	2		
VALVE SET, FLOAT	1.0	3	16012-415-003	NEEDLE SET, JET	2		CM,DK,DM,E,ED,F,G,IT,SA,U
FLOAT SET			16012-415-611	NEEDLE SET, JET	2		G2
CARBURETOR ASSY., R.		4	16013-679-005	FLOAT SET	2		
CARBURETOR ASSY., L.		5	16015-413-004	CHAMBER SET, FLOAT	2		
JET, MAIN							
NEEDLE SET, JET	1.1	6	16016-385-691	SCREW SET A	2		
CHAMBER SET, FLOAT	0.9	7	16022-415-003	PISTON SET, VACUUM	2		
PISTON SET, VACUUM		8	16026-415-003	JOINT SET, FUEL	1		
VALVE SET, AIR CUT (L. SIDE 0.1)		9	16028-413-004	SCREW SET B	1		
CARBURETOR ASSY.	0.8	10	16029-413-004	SCREW SET C	1		
TUBE, FUEL	0.1	11	16048-413-004	VALVE SET, AIR CUT	1		
		12	16050-415-003	SPRING, VACUUM PISTON	2		
		13	16051-413-004	SPRING, COMPRESSON COIL	1		
		14	16100-415-003	CARBURETOR ASSY.	1		CM,DK,DM,E,ED,F,G,IT,SA,U
			16100-415-611	CARBURETOR ASSY.	1		G2
		15	16101-415-003	CARBURETOR ASSY., R.	1		CM,DK,DM,E,ED,F,G,IT,SA,U

E-22

Carburetor

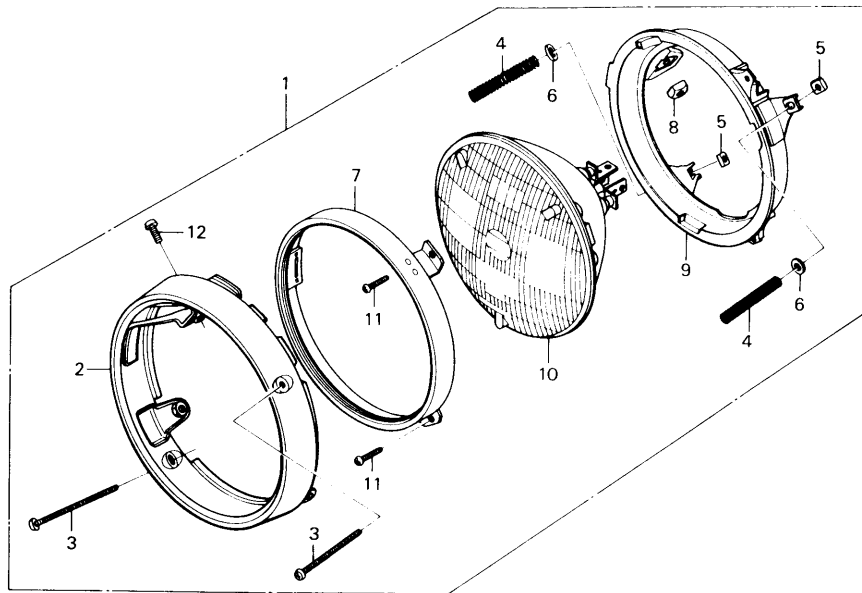


B415-22

Service item	F.R.T.	Ref. No.	Part No.	Description	Reqd. No. CX500	Serial No.	Area code
			16101-415-611	CARBURETOR ASSY., R.	1		G2
		16	16102-415-003	CARBURETOR ASSY., L.	1		CM, DK, DM, E, ED, F, G, IT, SA, U
			16102-415-611	CARBURETOR ASSY., L.	1		G2
		17	16165-413-004	HCLDR, NEEDLE JET	2		
		18	16166-415-003	NOZZLE, MAIN	2		
		19	93892-C4C12-08	SCREW-WASHER, 4X12	5		
		20	93892-C4C14-08	SCREW-WASHER, 4X14	2		
		21	93892-C4C16-08	SCREW-WASHER, 4X16	6		
		22	93892-C5C12-08	SCREW-WASHER, 5X12	4		
		23	93892-C5C16-08	SCREW-WASHER, 5X16	5		
		24	93892-C6C16-08	SCREW-WASHER, 6X16	4		
		25	95001-35480-40	TUBE, FUEL, 3.5X480	1		
		26	95001-35540-40	TUBE, FUEL, 3.5X540	1		
		27	95002-35000	CLIP C6.5, TUBE	2		
		28	99101-393-0780	JET, MAIN, #78	2		
		29	99102-353-1120	JET, MAIN, #112	2		

F-1

Headlight (CM)



B415-23

Service item	F.R.T.	Ref. No.	Part No.	Description	Reqd. No. CX500	Serial No.	Area code
HEADLIGHT ASSY.	0.1	1	33100-415-672	HEADLIGHT ASSY. (12V 50/40W) (STANLEY)	1		CM
INC. RELATIVE PART							
BEAM UNIT, SEALED	0.2	2	33101-415-013	RIM, HEADLIGHT (STANLEY)	1		CM
INC. RELATIVE PART							
		3	33103-415-003	SCREW, BEAM ADJUSTING (STANLEY)	2		CM
		4	33107-415-003	SPRING, BEAM ADJUSTING (STANLEY)	2		CM
		5	33117-415-003	NUT, BEAM ADJUSTING (STANLEY)	2		CM
		6	33119-371-003	WASHER, BEAM ADJUST	2		CM
		7	33121-405-671	RING, RETAINING	1		CM
		8	33123-415-003	NUT, UNIT HOLDER (STANLEY)	1		CM
		9	33153-415-003	RING, MOUNTING (STANLEY)	1		CM
		10	33321-371-672	BEAM UNIT, SEALED (12V50/40W STANLEY)	1		CM
		11	93500-03008-1A	SCREW, PAN, 3X8	2		CM
		12	93500-05012-0H	SCREW, PAN, 5X12	1		CM

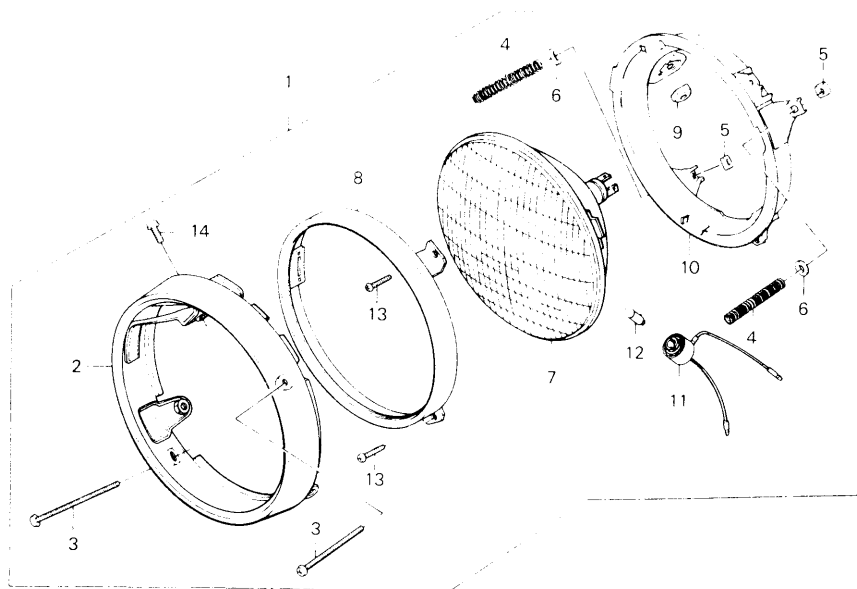
1977.11.20

F-1

4

F-1-1

Headlight (DK,DM,SA,U)

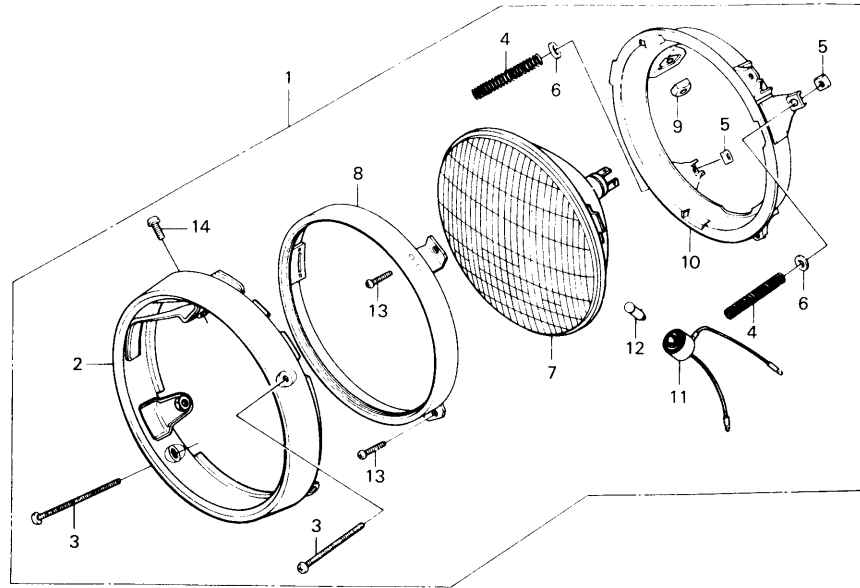


8415 60

Service item	F.R.T.	Ref. No.	Part No.	Description	Reqd. No. CX500	Serial No.	Area code
HEADLIGHT ASSY. INC. RELATIVE PART	0.1	1	33100-415-013	HEADLIGHT ASSY. (12V 50/40W) (STANLEY)	1		DK,DM,SA,U
HEADLIGHT UNIT INC. RELATIVE PART	0.2	2	33101-415-013	RIM, HEADLIGHT (STANLEY)	1		DK,DM,SA,U
		3	33103-415-003	SCREW, BEAM ADJUSTING (STANLEY)	2		DK,DM,SA,U
		4	33107-415-003	SPRING, BEAM ADJUSTING (STANLEY)	2		DK,DM,SA,U
		5	33117-415-003	NUT, BEAM ADJUSTING (STANLEY)	2		DK,DM,SA,U
		6	33119-371-003	WASHER, BEAM ADJUST	2		DK,DM,SA,U
		7	33120-415-003	HEADLIGHT UNIT (STANLEY)	1		DK,DM,SA,U
		8	33121-405-671	RING, RETAINING	1		DK,DM,SA,U
		9	33123-415-003	NUT, UNIT HOLDER (STANLEY)	1		DK,DM,SA,U
		10	33153-415-003	RING, MOUNTING (STANLEY)	1		DK,DM,SA,U
		11	33170-323-003	SOCKET COMP., MARKER LIGHT	1		DK,DM,SA,U

F-1-1

Headlight
(DK,DM,SA,U)

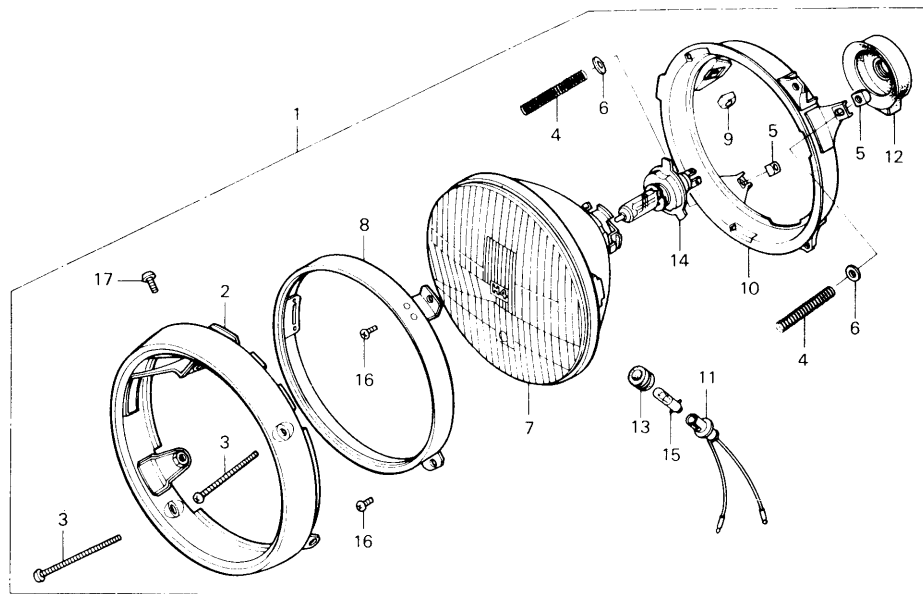


B415-60

Service item	F.R.T.	Ref. No.	Part No.	Description	Reqd. No. CX500	Serial No.	Area code
		12	34903-G71-G03	BULB, MARKER LIGHT (12V 3W) (STANLEY)	1		DK,DM,SA,U
		13	93500-C3008-1A	SCREW, PAN, 3X8	2		DK,DM,SA,U
		14	93500-C5012-0H	SCREW, PAN, 5X12	1		DK,DM,SA,U

F-1-2

Headlight (E,ED,F,G2,G,IT)

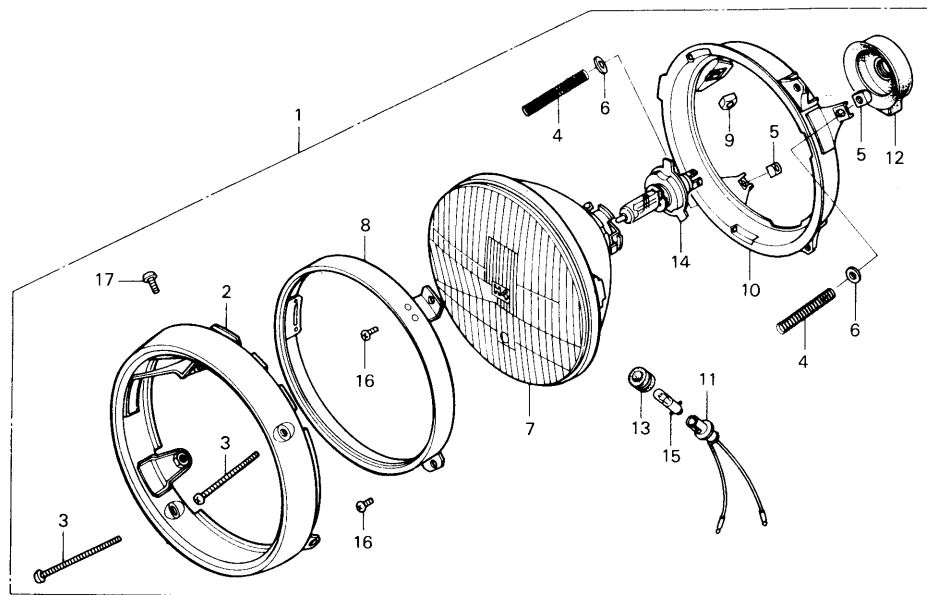


B415-59

Service item	F.R.T.	Ref. No.	Part No.	Description	Reqd. No. CX500	Serial No.	Area code
HEADLIGHT ASSY. INC. RELATIVE PART	0.1	1	33100-415-602	HEADLIGHT ASSY. (12V 60/55W) (STANLEY)	1		E /
HEADLIGHT UNIT INC. RELATIVE PART	C.2		33100-415-612	HEADLIGHT ASSY. (12V 60/55W) (STANLEY)	1		ED,G2,G,IT
			33100-415-622	HEADLIGHT ASSY. (12V 60/55W) (STANLEY)	1		F
		2	33101-415-C13	RIM, HEADLIGHT (STANLEY)	1		E,ED,F,G2,G,IT
		3	33103-415-003	SCREW, BEAM ADJUSTING (STANLEY)	2		E,ED,F,G2,G,IT
		4	33107-415-003	SPRING, BEAM ADJUSTING (STANLEY)	2		E,ED,F,G2,G,IT
		5	33117-415-003	NUT, BEAM ADJUSTING (STANLEY)	2		E,ED,F,G2,G,IT
		6	33119-371-003	WASHER, BEAM ADJUST	2		E,ED,F,G2,G,IT
		7	33120-371-601	HEADLIGHT UNIT	1		E
			33120-371-611	HEADLIGHT UNIT	1		ED,F,G2,G,IT
		8	33121-405-671	RING, RETAINING	1		E,ED,F,G2,G,IT
		9	33123-415-003	NUT, UNIT HOLDER (STANLEY)	1		E,ED,F,G2,G,IT
		10	33153-415-003	RING, MOUNTING (STANLEY)	1		E,ED,F,G2,G,IT

F-1-2

Headlight (E,ED,F,G2,G,IT)

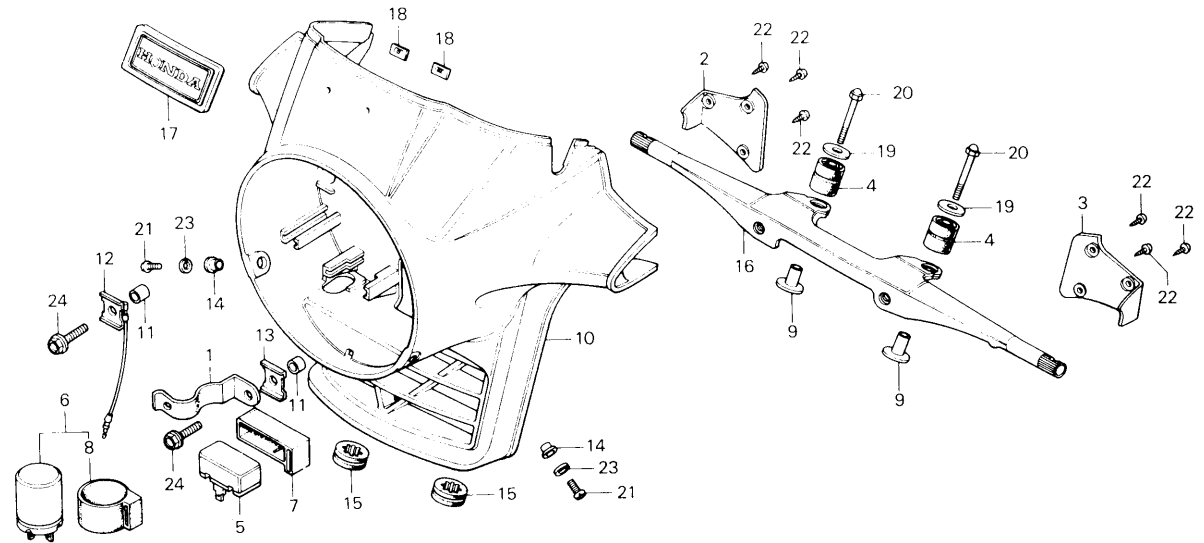


B415-59

Service item	F.R.T.	Ref. No.	Part No.	Description	Reqd. No. CX500	Serial No.	Area code
		11	33170-390-611	SOCKET COMP., MARKER LIGHT	1		E,ED,F,G2,G,IT
		12	33180-371-601	COVER, BULB	1		E,ED,F,G2,G,IT
		13	33905-371-601	RUBBER, JOINT	1		E,ED,F,G2,G,IT
		14	34901-371-601	BULB, HEADLIGHT (12V 60/55W) (LOCAL PROCUREMENT)	1		E,ED,G2,G,IT
			34901-371-621	BULB, HEADLIGHT (12V 60/55W) (LOCAL PROCUREMENT)	1		F
		15	34903-388-611	BULB, MARKER LIGHT (12V 4W) (LOCL PROCUREMENT PART)	1		E,ED,F,G2,G,IT
		16	93500-03008-1A	SCREW, PAN, 3X8	2		E,ED,F,G2,G,IT
		17	93500-05012-0H	SCREW, PAN, 5X12	1		E,ED,F,G2,G,IT

F-2

Headlight case

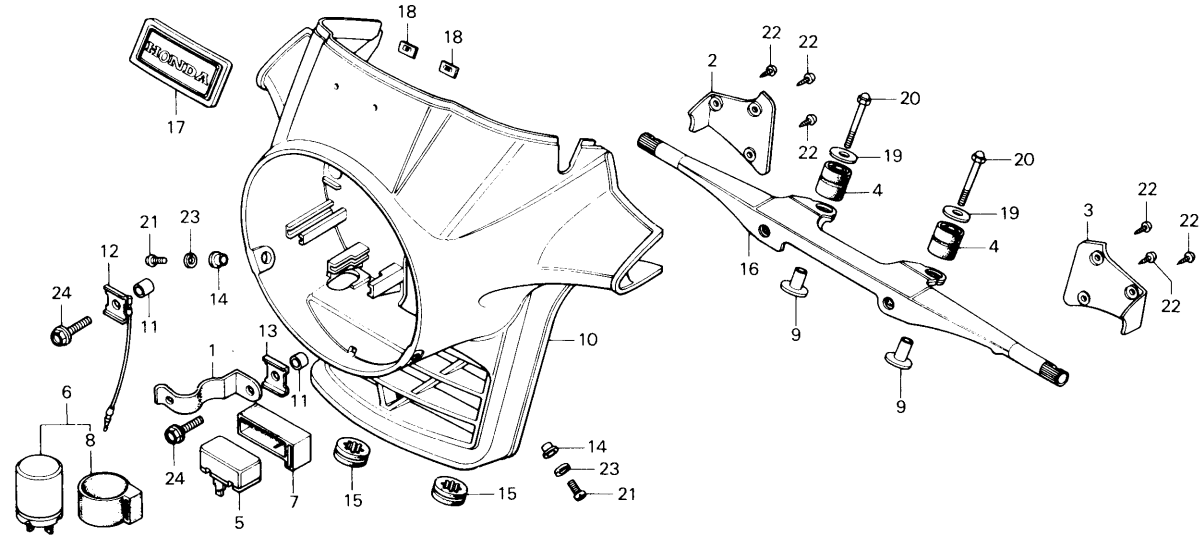


B415-24

Service item	F.R.T.	Ref. No.	Part No.	Description	Reqd. No. CX500	Serial No.	Area code
COVER, WINKER (ONE OR ALL)	0.1	1	32166-415-000	CLAMPER B, CORD	1		
RELAY ASSY., WINKER		2	33470-415-000	COVER, R. WINKER	1		
CASE, HEADLIGHT	0.7	3	33475-415-000	COVER, L. WINKER	1		
STAY, HEADLIGHT CASE UPPER	0.4	4	33731-415-000	RUBBER, TAILLIGHT MOUNT	2		
EMBLEM, HEADLIGHT CASE	0.2	4	33731-415-000	RUBBER, TAILLIGHT MOUNT	2		
		5	38300-292-670	RELAY ASSY., WINKER (SIGNAL STAT)	1		CM
		6	38300-415-004	RELAY ASSY., WINKER (MITSUBA)	1		DK,DM,E,ED,F,IT,SA,U
		7	38300-415-611	RELAY ASSY., WINKER	1		G2,G
		7	38306-092-670	SUSPENSION, WINKER RELAY	1		CM
		8	38306-292-000	SUSPENSION, WINKER RELAY	1		DK,DM,E,ED,F,G2,G,IT,SA,U
		9	61104-415-000	COLLAR, HEADLIGHT CASE STAY	2		
		10	61301-415-000ZA	CASE, HEADLIGHT *R-33*	1		

F-2

Headlight case

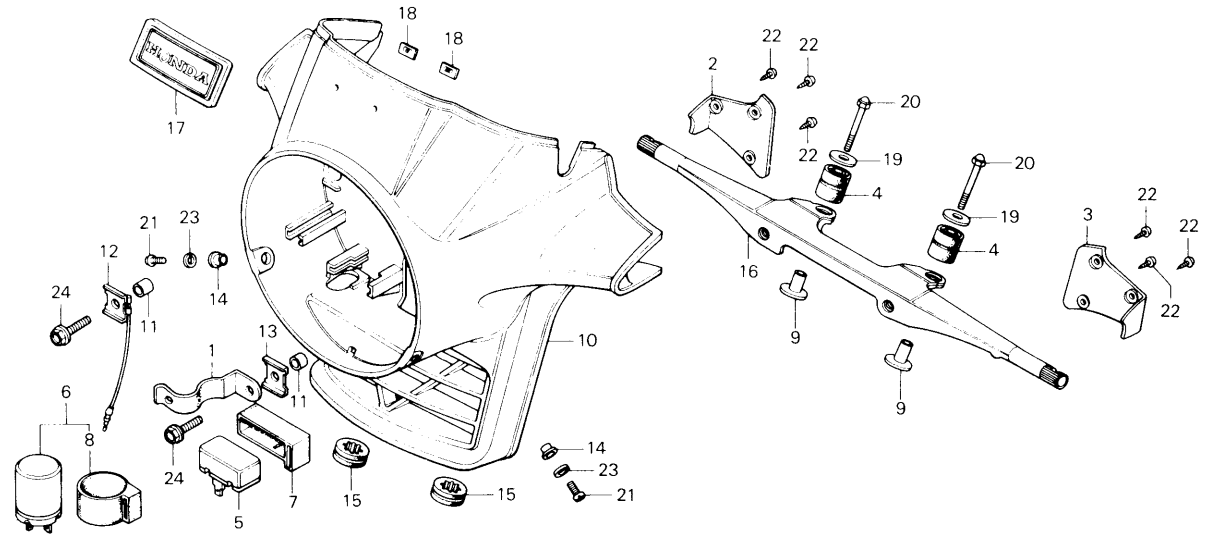


B415-24

Service item	F.R.T.	Ref. No.	Part No.	Description	Reqd. No. CX500	Serial No.	Area code
			61301-415-000ZB	CASE, HEADLIGHT *PB-3C-C*	1		
			61301-415-000ZC	CASE, HEADLIGHT *R-9C-S*	1		
			61301-415-000ZD	CASE, HEADLIGHT *NH-1*	1		
			61301-415-000ZE	CASE, HEADLIGHT *R-8C-S*	1		
		11	61302-128-000	COLLAR, HEADLIGHT CASE	2		
		12	61303-C74-000	WASHER, HEADLIGHT CASE	1		
		13	61303-229-CC0	WASHER, HEADLIGHT CASE	1		
		14	61304-292-000	COLLAR, HEADLIGHT SETTING	2		
		15	61304-415-CC0	RUBBER, HEADLIGHT CASE MOUNT	2		
		16	61305-415-670	STAY, HEADLIGHT CASE UPPER	1		
		17	87106-415-C00	EMBLEM, HEADLIGHT CASE	1		
		18	90315-5C4-000	NUT, SPEED, 3MM	2		
		19	90545-292-000	WASHER, 6.5X20	2		

F-2

Headlight case

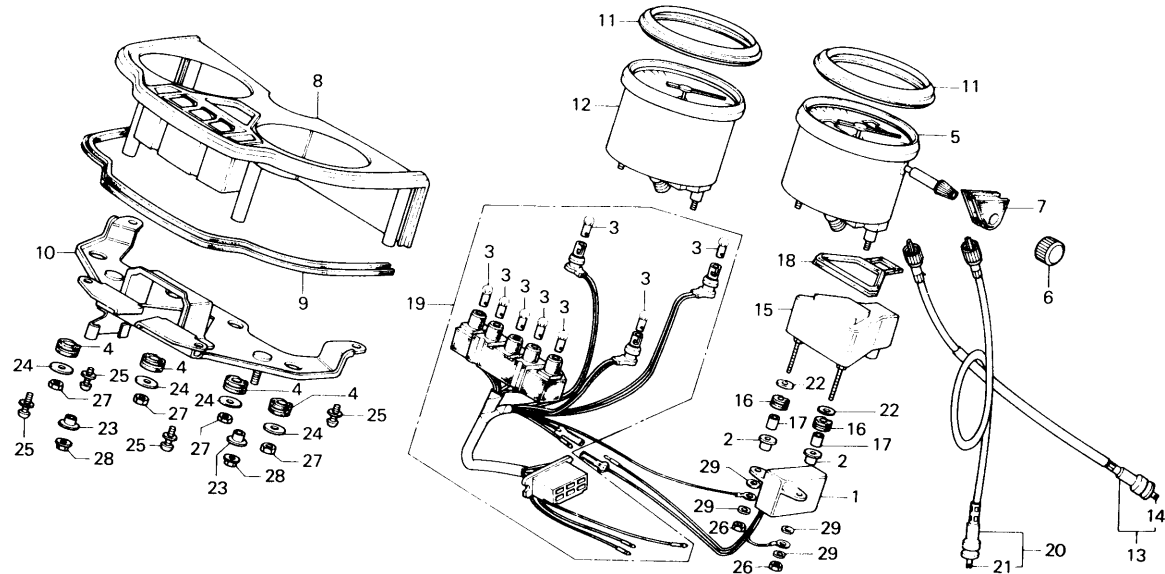


8415-24

Service item	F.R.T.	Ref. No.	Part No.	Description	Reqd. No. CX500	Serial No.	Area code
		20	92500-06040-0A	BOLT, CAP, 6X40	2		
		21	93500-C5016-0B	SCREW, PAN, 5X16	2		
		22	93901-12380	SCREW, TAPPING, 3X12	6		
		23	94111-05000	WASHER, SPRING, 5MM	2		
		24	95700-08020-0B	BOLT, FLANGE, 8X20	2		

F-3

Meters

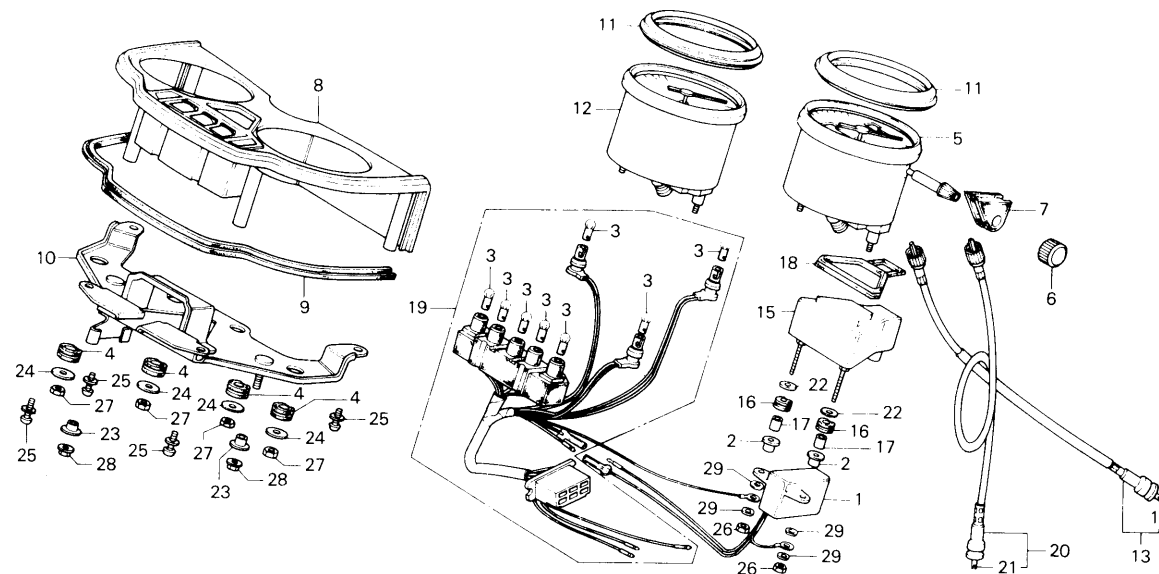


B415-25

Service item	F.R.T.	Ref. No.	Part No.	Description	Reqd. No. CX500	Serial No.	Area code
REGULATOR	0.4	1	31410-415-008	REGULATOR (7V)	1		
.METER ASSY., TEMPERATURE BULB, DASH	C.3	2	31411-415-000	COLLAR, REGULATOR	2		
.SPEEDOMETER ASSY.		3	34902-259-000	BULB, DASH (12V 3.4W)	8		
.PANEL, METER SET		4	37113-415-008	RUBBER, METER CUSHION	4		
.TACHOMETER ASSY.		5	37200-415-611	SPEEDOMETER ASSY. (KPH) (NIPPON SEIKI)	1		DK,ED,F,G2,G,IT,SA,U
.CABLE ASSY., TACHOMETER BRACKET, METER	C.5						
CABLE, TACHOMETER INNER	0.2		37200-415-671	SPEEDOMETER ASSY. (MPH) (NIPPON SEIKI)	1		DM,E
.CABLE ASSY., SPEEDOMETER CABLE, SPEEDOMETER INNER	0.1		37200-415-721	SPEEDOMETER ASSY. (KPH) (NIPPON SEIKI)	1		CM
		6	37202-371-610	CAP, TRIP METER KNOB	1		G2,G
		7	37203-415-000	GRGMMET, TRIP KNOB	1		
		8	37212-415-671	PANEL, METER SET	1		
		9	37213-415-000	PACKING, METER PANEL	1		
		10	37219-415-008	BRACKET, METER	1		

F-3

Meters

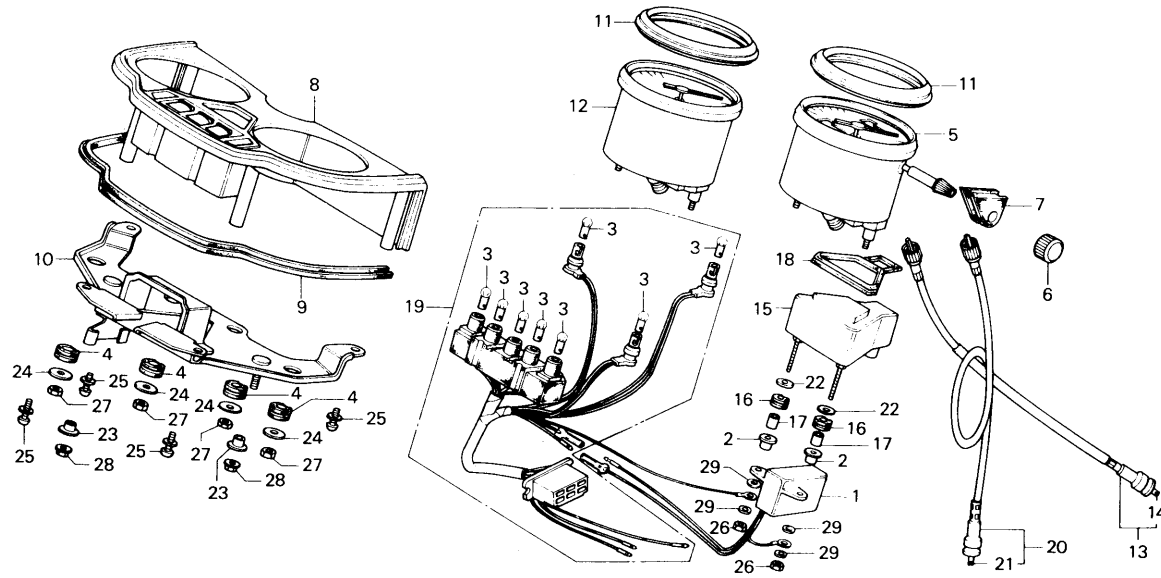


B415-25

Service item	F.R.T.	Ref. No.	Part No.	Description	Reqd. No. CX500	Serial No.	Area code
		11	37233-415-000	RING, METER CUSHION	2		
		12	37250-415-C18	TACHOMETER ASSY.	1		CM, DK, DM, E, ED, F, G2, G, IT, U
			37250-415-661	TACHOMETER ASSY.	1		SA
		13	37260-415-000	CABLE ASSY., TACHOMETER	1		
		14	37261-300-000	CABLE, TACHOMETER INNER	1		
		15	37450-415-008	METER ASSY., TEMPERATURE (NIPPON SEIKI)	1		
		16	37451-415-008	RUBBER B, MOUNT	2		
		17	37452-415-000	COLLAR, TEMPERATURE METER	2		
		18	37455-415-000	RUBBER, TEMPERATURE METER	1		
		19	37619-415-008	SOCKET ASSY., RUBBER (NIPPON SEIKI)	1		
		20	44830-415-000	CABLE ASSY., SPEEDOMETER	1		CM, DK, DM, SA, U
			44830-415-610	CABLE ASSY., SPEEDOMETER	1		E, ED, F, G2, G, IT
		21	44831-323-000	CABLE, SPEEDOMETER INNER	1		CM, DK, DM, SA, U

F-3

Meters

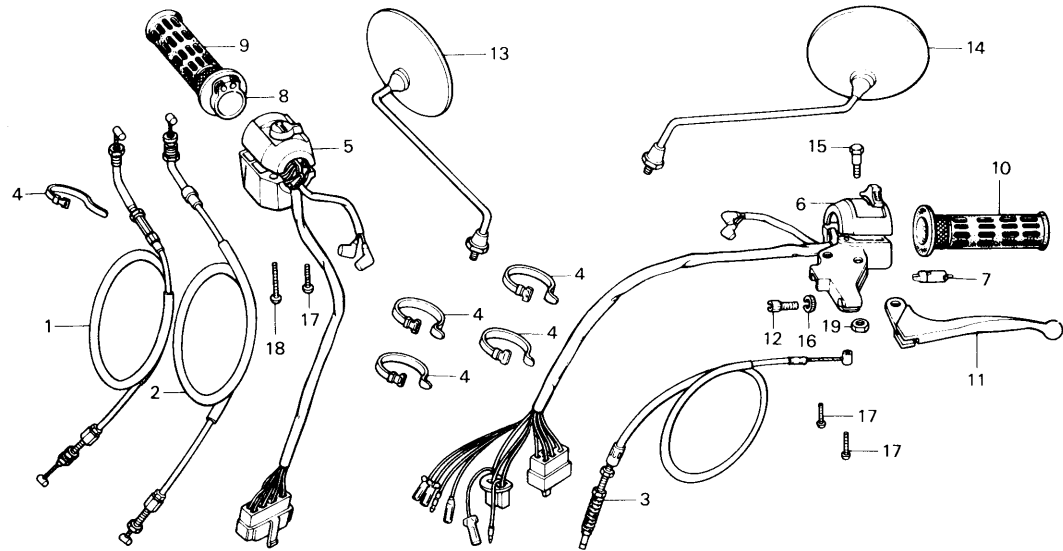


B415-25

Service item	F.R.T.	Ref. No.	Part No.	Description	Reqd. No. CX500	Serial No.	Area code
			44831-415-610	CABLE, SPEEDMETER INNER	1	C 228	E, ED, F, G, IT
		22	47134-567-000	WASHER C, PARKING BRAKE	2		
		23	90121-102-000	COLLAR B, AIR CLEANER CASE SETTING	2		
		24	90581-701-000	WASHER, 18MM	4		
		25	93892-04012-00	SCREW-WASHER, 4X12	4		
		26	94001-04G00-05	NUT, HEX., 4MM	2		
		27	94001-06C00	NUT, HEX., 6MM	4		
		28	94050-060E0	NUT, FLANGE, 6MM	2		
		29	94101-04G00	WASHER, PLAIN, 4MM	4		

F-4

Handle lever • Switch • Cable

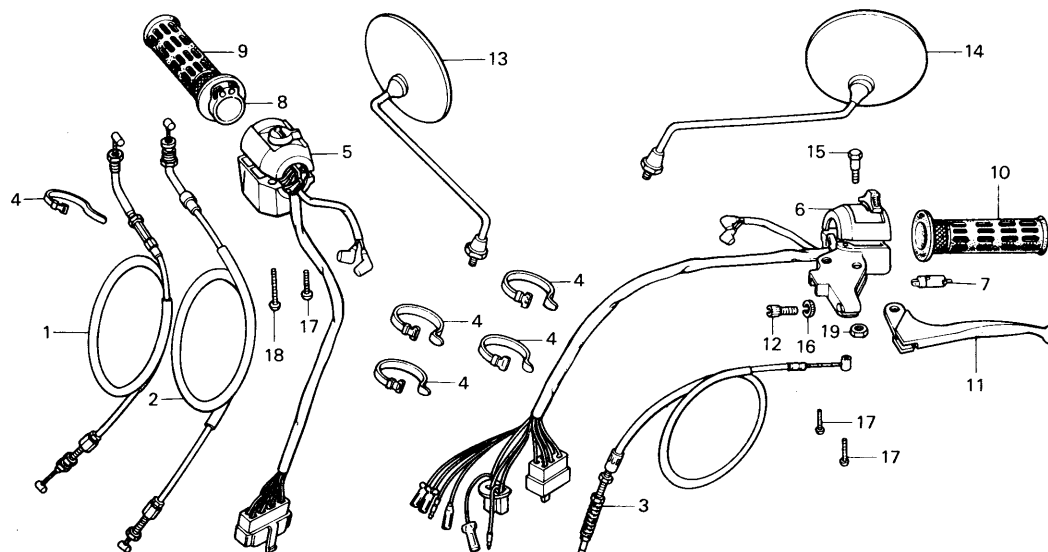


B415-26

Service item	F.R.T.	Ref. No.	Part No.	Description	Reqd. No. CX500	Serial No.	Area code
CABLE COMP., THROTTLE (ONE OR ALL)	G.6	1	17910-415-000	CABLE COMP. A, THROTTLE	1		CM,DK,DM,SA,U
			17910-415-610	CABLE COMP. A, THROTTLE	1		E,ED,F,G2,G,IT
CABLE COMP., CLUTCH	G.5	2	17920-415-000	CABLE COMP. B, THROTTLE	1		CM,DK,DM,SA,U
SWITCH ASSY., STARTER KILL	G.4		17920-415-610	CABLE COMP. B, THROTTLE	1		E,ED,F,G2,G,IT
SWITCH ASSY., WINKER	G.2	3	22870-415-000	CABLE COMP., CLUTCH	1		CM,DK,DM,SA,U
SWITCH COMP., FR. LEVER			22870-415-610	CABLE COMP., CLUTCH	1		E,ED,F,G2,G,IT
PIPE, THROTTLE GRIP		4	32161-404-000	BAND B1, WIRE	5		CM,DK,DM,SA,U
RUBBER, GRIP	G.1				3		E,ED,F,G2,G,IT
LEVER COMP., L. STEERING HANDLE		5	35130-415-671	SWITCH ASSY., STARTER KILL (TOYO)	1		CM
			35150-415-003	SWITCH ASSY., STARTER KILL (TOYO)	1		DK,DM,SA,U
			35150-415-601	SWITCH ASSY., STARTER KILL (TOYO)	1		E,ED,F,G2,G,IT
		6	35200-415-003	SWITCH ASSY., WINKER (TOYC)	1		DK,DM,SA,U
			35200-415-601	SWITCH ASSY., WINKER (TOYO)	1		E,ED,F,G2,G,IT
			35200-415-671	SWITCH ASSY., WINKER (TOYO)	1		CM

F-4

Handle lever • Switch • Cable

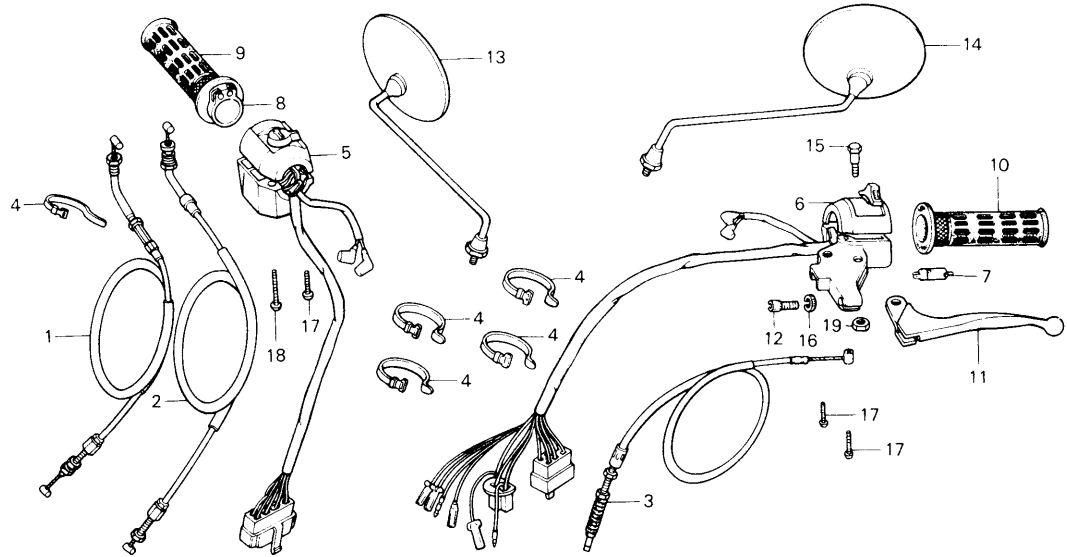


B415-26

Service item	F.R.T.	Ref. No.	Part No.	Description	Reqd. No. CX500	Serial No.	Area code
		7	35330-413-003	SWITCH COMP., FR. LEVER	1		/
		8	53141-300-C10	PIPE, THROTTLE GRIP	1		
		9	53165-390-780	RUBBER, R. GRIP	1		
		10	53166-390-780	RUBBER, L. GRIP	1		
		11	53190-410-000	LEVER COMP., L. STEERING	1		
		12	53192-268-000	BOLT, CLUTCH WIRE ADJUSTING HANDLE	1		
		13	88110-304-621	MIRROR, R. BACK	1		F
			88110-333-611	MIRROR, R. BACK	1		CM,DK,DM,E,ED,G2,G,IT,SA
			88110-369-650	MIRROR, R. BACK	1		U
		14	88120-304-621	MIRROR, L. BACK	1		F
			88120-333-611	MIRROR, L. BACK	1		CM,DK,DM,E,ED,G2,G,IT,SA
			88120-369-650	MIRROR, L. BACK	1		U
		15	90114-310-000	BOLT, HANDLE LEVER PIVOT	1		
		16	90321-315-670	NUT, FIXING	1		
		17	93500-G5025-0A	SCREW, PAN, 5X25	3		

F-4

Handle lever • Switch • Cable

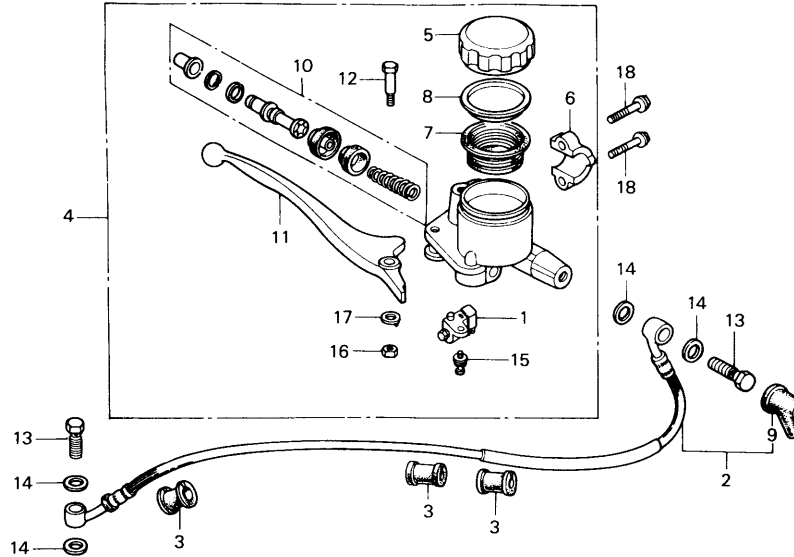


B415-26

Service item	F.R.T.	Ref. No.	Part No.	Description	Reqd. No. CX500	Serial No.	Area code
		18	93500-05035-0A	SCREW, PAN, 5X35	1		
		19	94001-C6C00	NUT, HEX., 6MM	1		

F-5

Front brake master cylinder (CM,DK,DM,SA,U)

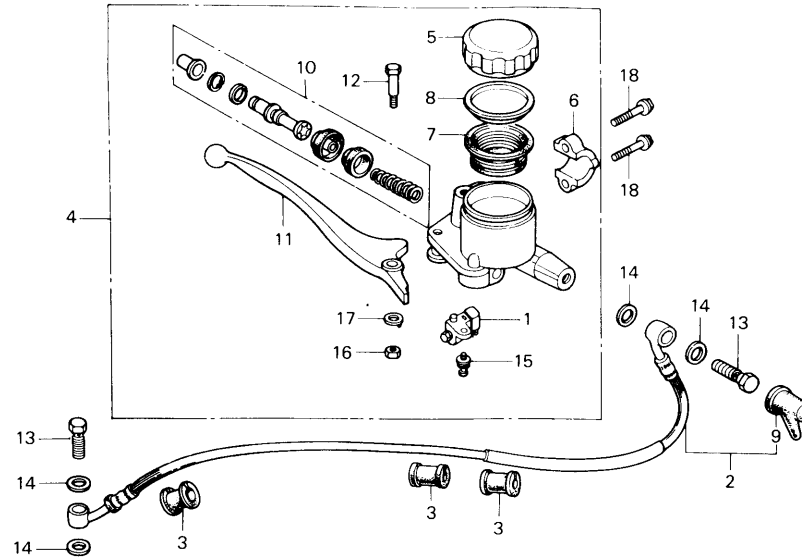


B415-27

Service item	F.R.T.	Ref. No.	Part No.	Description	Reqd. No. CX500	Serial No.	Area code	
SWITCH ASSY., FR. STOP LEVER COMP., R. HANDLE	C.1	1	35340-413-003	SWITCH ASSY., FR. STOP	1		CM,DK,DM,SA,U	
HOSE ASSY., FR. BRAKE	C.3	2	45126-415-000	HOSE ASSY., FR. BRAKE (NICHIRIN)	1		CM,DK,DM,SA,U	
CYLINDER ASSY., MASTER	C.4	3	45146-371-000	BUSH, BRAKE HOSE	3		CM,DK,DM,SA,U	
CYLINDER SET, MASTER		4	45500-413-651	CYLINDER ASSY., MASTER	1		U	
			45500-413-671	CYLINDER ASSY., MASTER	1		CM	
			45500-413-681	CYLINDER ASSY., MASTER	1		DK,DM,SA	
			45513-341-671	CAP, OIL CUP	1		DK,DM,SA	
			45513-341-771	CAP, OIL CUP	1		CM	
			45513-371-651	CAP, OIL CUP	1		U	
			6	45517-300-003	HOLDER, MASTER CYLINDER	1		CM,DK,DM,SA,U
			7	45520-300-000	DIAPHRAGM	1		CM,DK,DM,SA,U
			8	45521-300-C10	PLATE, DIAPHRAGM	1		CM,DK,DM,SA,U
		9	45522-300-C10	BOOT, MASTER CYLINDER	1		CM,DK,DM,SA,U	
		10	45530-404-305	CYLINDER SET, MASTER	1		CM,DK,DM,SA,U	
		11	53175-393-771	LEVER COMP., R. HANDLE	1		CM,DK,DM,SA,U	

F-5

Front brake master cylinder (CM,DK,DM,SA,U)

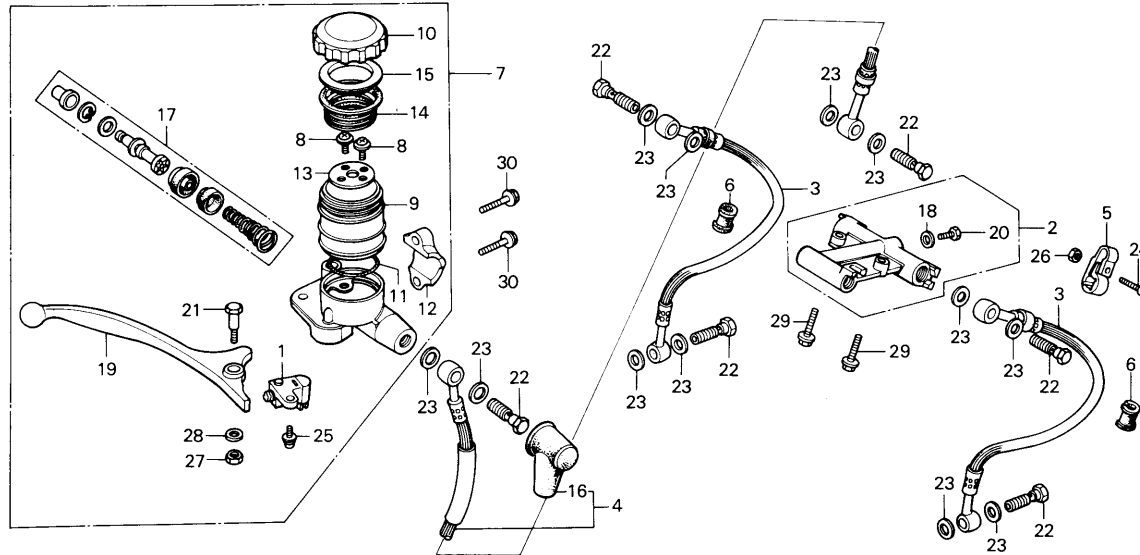


B415-27

Service item	F.R.T.	Ref. No.	Part No.	Description	Reqd. No. CX500	Serial No.	Area code
		12	90114-393-770	BOLT, HANDLE LEVER PIVOT	1		CM,DK,DM,SA,U
		13	90145-300-000	BOLT, OIL	2		CM,DK,DM,SA,U
		14	90545-300-000	WASHER, OIL BOLT	4		CM,DK,DM,SA,U
		15	93893-04012-00	SCREW-WASHER, 4X12	1		CM,DK,DM,SA,U
		16	94002-06000	NUT, HEX., 6MM	1		CM,DK,DM,SA,U
		17	94101-06000	WASHER, PLAIN, 6MM	1		CM,DK,DM,SA,U
		18	95700-06025-00	BOLT, FLANGE, 6X25	2		CM,DK,DM,SA,U

F-5-1

Front brake master cylinder (E,ED,F,G2,G,IT)

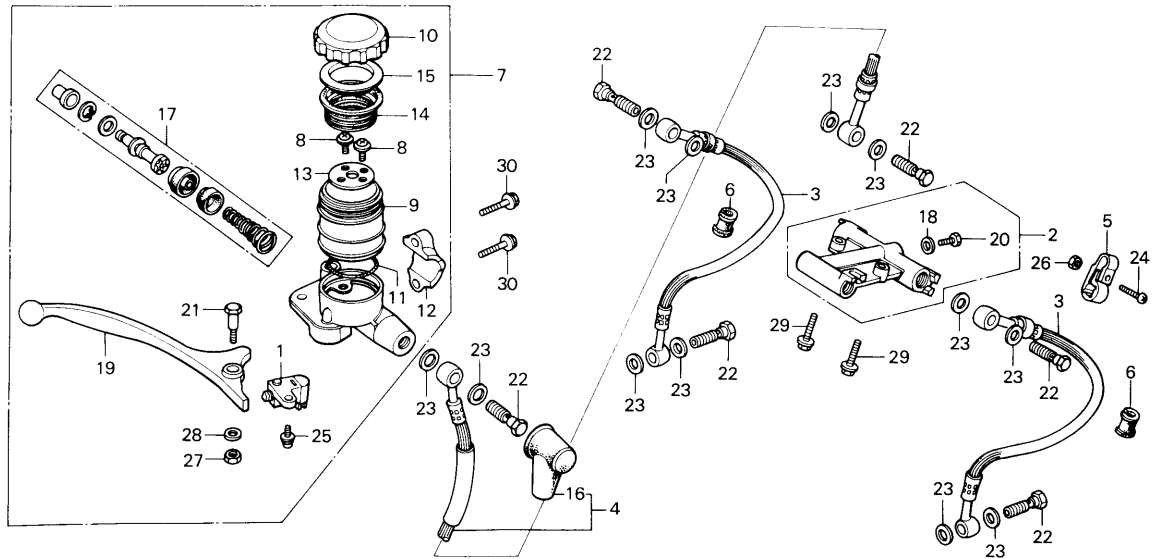


B415-62

Service item	F.R.T.	Ref. No.	Part No.	Description	Reqd. No. CX500	Serial No.	Area code
SWITCH ASSY., FR. STOP LEVER COMP., HANDLE	0.1	1	35340-413-003	SWITCH ASSY., FR. STOP	1		E,ED,F,G2,G,IT
JOINT ASSY., THREE WAY	0.4	2	45123-415-000	JOINT ASSY., THREE WAY	1		E,ED,F,G2,G,IT
CYLINDER SET, MASTER		3	45125-415-610	HOSE A, FR. BRAKE	2		E,ED,F,G2,G,IT
HOSE A, FR. BRAKE (WHEN SERVICING COMP., UNIT, F.R.T. IS 0.4.)	0.3	4	45126-415-610	HOSE ASSY., FR. BRAKE (NICHIRIN)	1		E,ED,F,G2,G,IT
CYLINDER ASSY., MASTER		5	45128-415-610	CLAMP, BRAKE HOSE	1		E,ED,F,G2,G,IT
		6	45146-371-000	BUSH, BRAKE HOSE	2		E,ED,F,G2,G,IT
		7	45500-415-611	CYLINDER ASSY., MASTER	1		E,ED,F,G2,G,IT
		8	45509-371-003	SCREW, OIL CUP	2		E,ED,F,G2,G,IT
		9	45511-371-003	CUP, OIL (NISSHIN)	1		E,ED,F,G2,G,IT
		10	45513-341-671	CAP, OIL CUP	1		E,ED,F,G2,G,IT
		11	45516-371-003	O-RING	1		E,ED,F,G2,G,IT
		12	45517-300-003	HOLDER, MASTER CYLINDER	1		E,ED,F,G2,G,IT
		13	45518-371-003	PLATE, OIL CUP	1		E,ED,F,G2,G,IT
		14	45520-371-003	DIAPHRAGM	1		E,ED,F,G2,G,IT
		15	45521-300-010	PLATE, DIAPHRAGM	1		E,ED,F,G2,G,IT

F-5-1

Front brake master cylinder (E,ED,F,G2,G,IT)

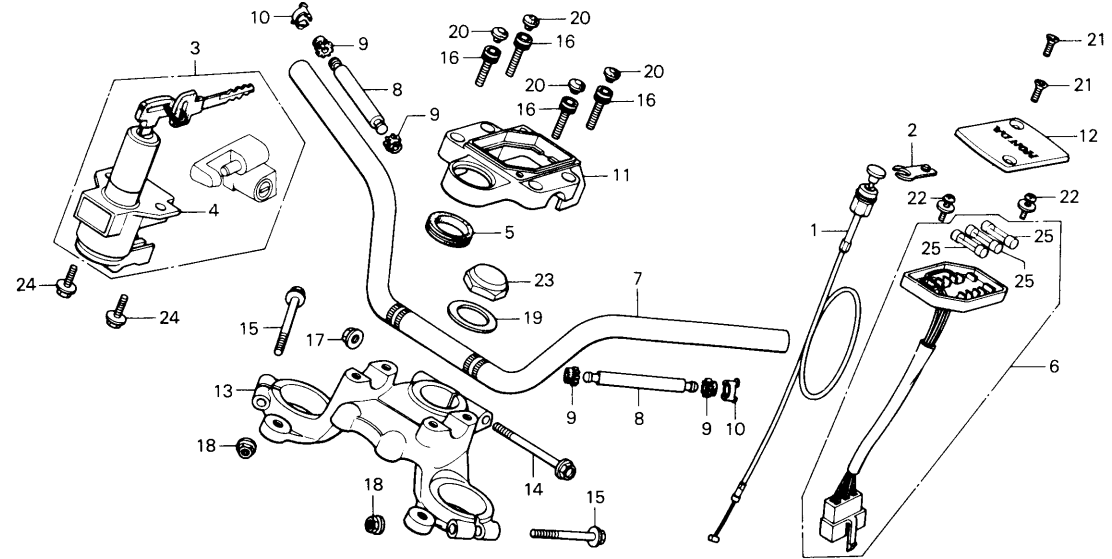


B415-62

Service item	F.R.T.	Ref. No.	Part No.	Description	Reqd. No. CX500	Serial No.	Area code
		16	45522-300-010	BOOT, MASTER CYLINDER	1		E,ED,F,G2,G,IT
		17	45530-415-610	CYLINDER SET, MASTER	1		E,ED,F,G2,G,IT
		18	46138-568-671	WASHER, STOPPER BOLT	1		E,ED,F,G2,G,IT
		19	53175-431-670	LEVER COMP., HANDLE	1		E,ED,F,G2,G,IT
		20	90105-371-003	BOLT, SEALING (NISSHIN)	1		E,ED,F,G2,G,IT
		21	90114-393-770	BOLT, HANDLE LEVER PIVOT	1		E,ED,F,G2,G,IT
		22	90145-300-000	BOLT, DIL	6		E,ED,F,G2,G,IT
		23	90545-300-000	WASHER, DIL BOLT	12		E,ED,F,G2,G,IT
		24	93500-04016-0A	SCREW, PAN, 4X16	1		E,ED,F,G2,G,IT
		25	93893-04012-00	SCREW-WASHER, 4X12	1		E,ED,F,G2,G,IT
		26	94002-04000-0S	NUT, HEX., 4MM	1		E,ED,F,G2,G,IT
		27	94002-C6000	NUT, HEX., 6MM	1		E,ED,F,G2,G,IT
		28	94101-06000	WASHER, PLAIN, 6MM	1		E,ED,F,G2,G,IT
		29	95700-C6C20-00	BOLT, FLANGE, 6X20	2		E,ED,F,G2,G,IT
		30	95700-C6C25-00	BOLT, FLANGE, 6X25	2		E,ED,F,G2,G,IT

F-6

Handle pipe • Top bridge • Key set

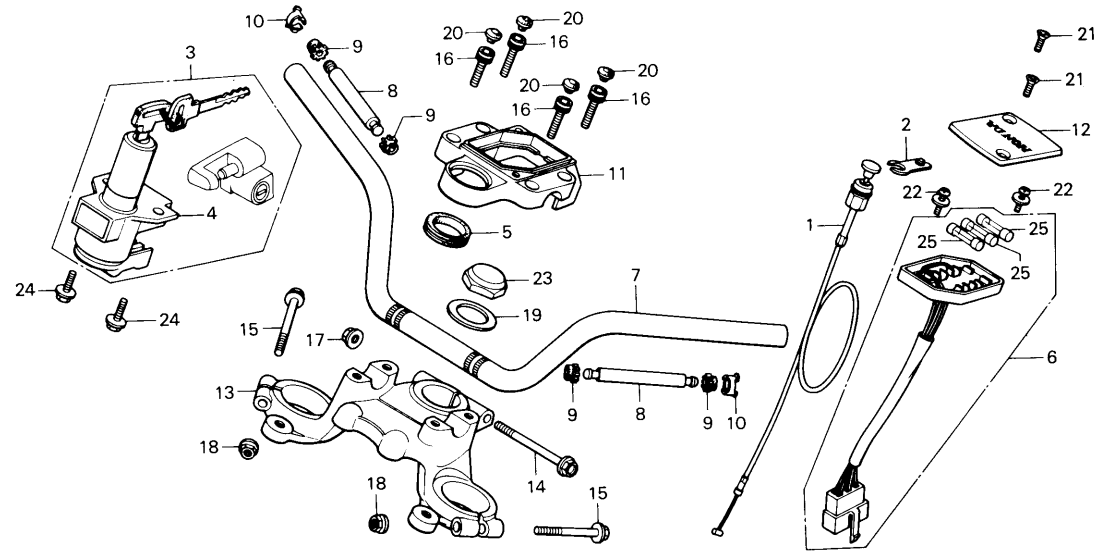


B415-28

Service item	F.R.T.	Ref. No.	Part No.	Description	Reqd. No. CX500	Serial No.	Area code
CABLE COMP., CHOKE	0.3	1	17950-415-000	CABLE COMP., CHOKE	1		
PLATE ASSY., FUSE		2	17951-415-000	BRACKET, CHOKE WIRE	1		
HOLDER, HANDLE UPPER							
KEY SET	0.8	3	35010-415-000	KEY SET	1		CM,DK,DM,SA,U
SWITCH ASSY., COMBINATION & LOCK	0.4	4	35010-415-600	KEY SET	1		E,ED,F,G2,G,IT
PIPE, STEERING HANDLE	1.2		35100-415-007	SWITCH ASSY., COMBINATION & LOCK (HONDA LOCK)	1		CM,DK,DM,SA,U
WEIGHT, HANDLE	0.1		35100-415-601	SWITCH ASSY., COMBINATION	1		E,ED,F,G2,G,IT
BRIDGE, FORK TOP	0.6						
		5	37623-415-000	RUBBER, IGNITION SWITCH SET	1		
		6	38400-415-003	PLATE ASSY., FUSE (STANLEY)	1		
		7	53100-415-000	PIPE, STEERING HANDLE	1		CM,DK,DM,SA,U
			53100-415-610	PIPE, STEERING HANDLE	1		E,ED,F,G2,G,IT
		8	53106-415-000	WEIGHT, HANDLE	2		
		9	53107-415-000	RUBBER, HANDLE WEIGHT	4		
		10	53108-415-004	RING, HANDLE WEIGHT SNAP	2		

F-6

Handle pipe ·
Top bridge · Key set

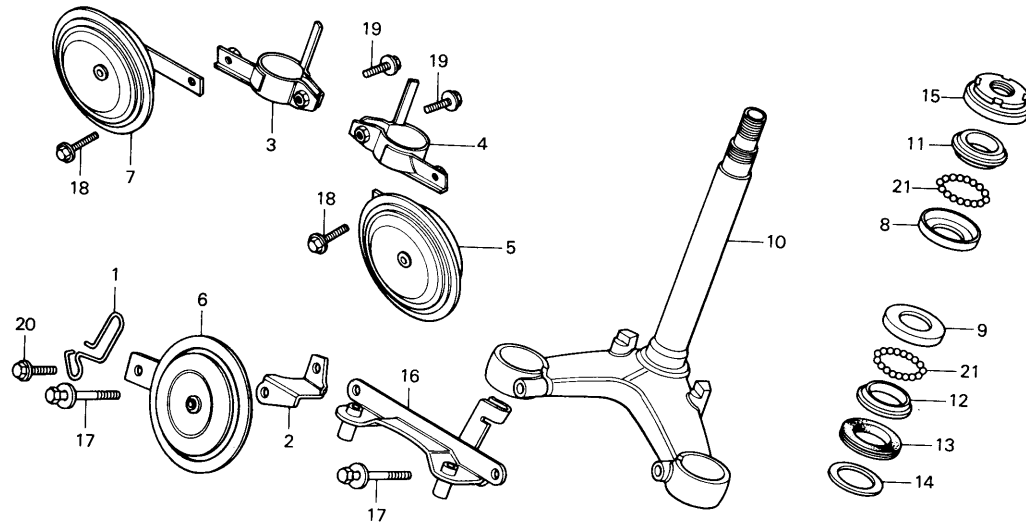


B415-28

Service item	F.R.T.	Ref. No.	Part No.	Description	Reqd. No. CX500	Serial No.	Area code
		11	53131-415-000	HOLDER, HANDLE UPPER	1		
		12	53132-415-000	COVER, HANDLE HCLDR	1		
		13	53230-415-000ZA	BRIDGE, FORK TOP *A-01*	1		
		14	90124-458-000	BOLT, FLANGE, 8X72	1		
		15	90155-369-000	BOLT, FLANGE, 7X54	2		
		16	90185-371-000	BOLT, HEX. SOCKET, 8X32	4		
		17	90303-369-000	NUT, FLANGE, 8MM	1		
		18	90355-369-000	NUT, FLANGE, 7MM	2		
		19	90503-283-000	WASHER, STEERING STEM	1		
		20	91456-371-770	CAP, SOCKET BOLT	4		
		21	93700-05016-0G	SCREW, OVAL, 5X16	2		
		22	93891-C4C12-0G	SCREW-WASHER, 4X12	2		
		23	95020-1130C	NUT A3, STEERING STEM	1		
		24	95700-C6014-00	BOLT, FLANGE, 6X14	2		
		25	98200-2100C	FUSE B (10A)	3		

F-7

Steering stem · Horn

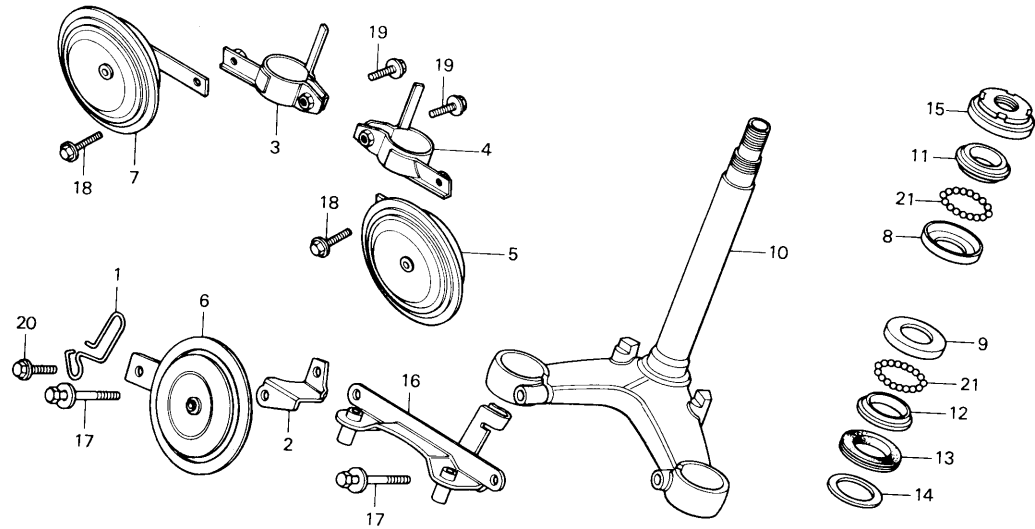


B415-29

Service item	F.R.T.	Ref. No.	Part No.	Description	Reqd. No. CX500	Serial No.	Area code
HORN COMP.	0.2	1	37262-415-000	CLAMP, TACHOMETER CABLE	1		
RACE, STEERING BALL (ONE OR ALL)	1.0	2	38102-415-000	STAY, HORN	1		CM, DK, DM, E, ED, F, G2, G, SA, U
STEM COMP., STEERING	1.1	3	38102-415-630	BAND, R. HORN SET	1		IT
.INC. RELATIVE PART		4	38103-415-630	BAND, L. HORN SET	1		IT
THREAD COMP., STEERING HEAD TOP	0.5	5	38110-410-004	HORN COMP. (HIGH)	1		IT
		6	38110-413-000	HORN COMP.	1		CM, DK, DM, E, ED, F, G2, G, SA, U
		7	38120-410-004	HORN COMP. (LOW)	1		IT
		8	50301-268-000	RACE, STEERING TOP BALL	1		
		9	50302-268-000	RACE, STEERING BOTTOM BALL	1		
		10	53200-415-000ZA	STEM COMP., STEERING *NH-1*	1		CM, DK, DM, SA, U
			53200-415-610ZA	STEM COMP., STEERING *NH-1*	1		E, ED, F, G2, G, IT

F-7

Steering stem • Horn

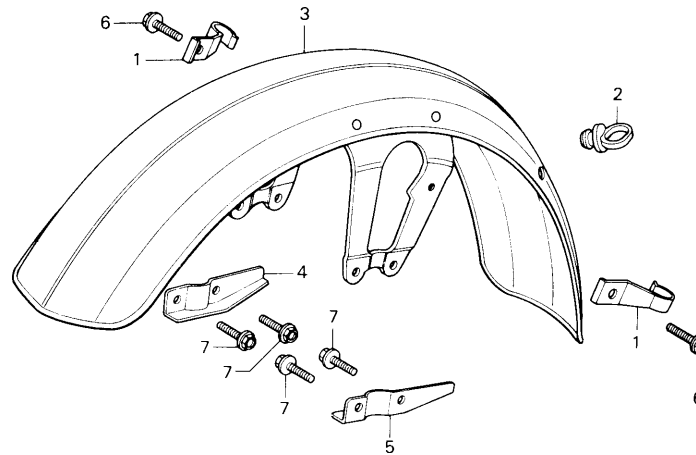


B415-29

Service item	F.R.T.	Ref. No.	Part No.	Description	Reqd. No. CX500	Serial No.	Area code
		11	53211-268-000	RACE, STEERING TOP CONE	1		
		12	53212-250-000	RACE, STEERING BOTTOM CONE	1		
		13	53214-250-000	DUST SEAL, STEERING HEAD	1		
		14	53215-250-000	WASHER, STEERING HEAD DUST	1		
		15	53220-286-000	THREAD COMP., STEERING HEAD TOP	1		
		16	61306-415-000	STAY, HEADLIGHT CASE UNDER	1		CM,DK,DM,SA,U
			61306-415-610	STAY, HEADLIGHT CASE UNDER	1		E,ED,F,G2,G,IT
		17	93481-08040-00	BOLT-WASHER, 8X40	2		
		18	95700-06016-00	BOLT, FLANGE, 6X16	2		IT
		19	95700-06020-00	BOLT, FLANGE, 6X20	2		IT
		20	95700-C8016-08	BOLT, FLANGE, 8X16	1		CM,DK,DM,E,ED,F,G2,G,SA,U
		21	96211-08000	BALL, STEEL, #8 (1/4)	37		

F-8

Front fender



B415-30

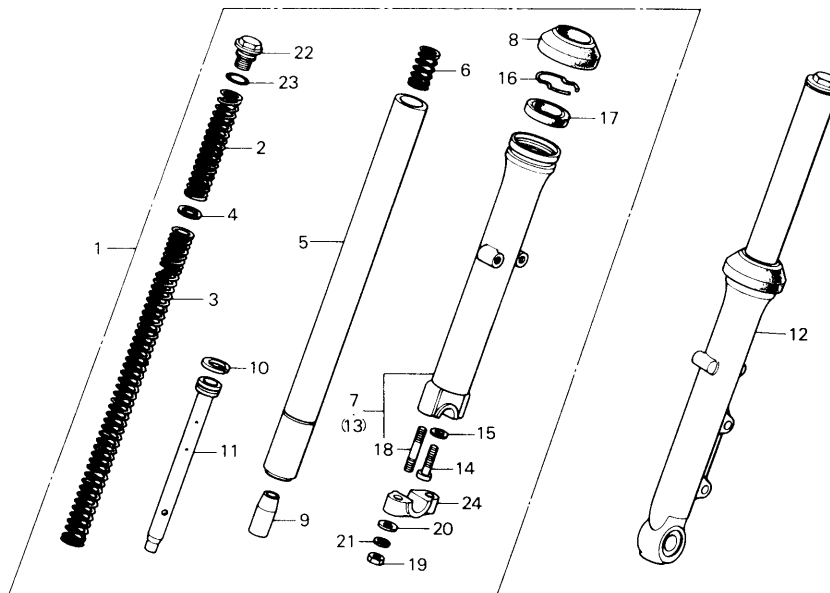
Service item	F.R.T.	Ref. No.	Part No.	Description	Reqd. No. CX500	Serial No.	Area code
FENDER COMP., FR.	C.2	1	45417-413-000	CLAMP A, BRAKE HOSE	1		CM,DK,DM,SA,U
		2	45451-367-690	GROMMET, WIRE	2		E,ED,F,G2,G,IT
		3	61100-415-000	FENDER COMP., FR.	1		
		4	61101-415-610	GUIDE, R. FR. FENDER	1		E,ED,F,G2,G,IT
		5	61102-415-000	GUIDE, L. FR. FENDER	1		
		6	95700-06010-00	BOLT, FLANGE, 6X10	1		CM,DK,DM,SA,U
		7	95700-06016-08	BOLT, FLANGE, 6X16	2		E,ED,F,G2,G,IT

1977.11.20

F-8

F-9

Front fork

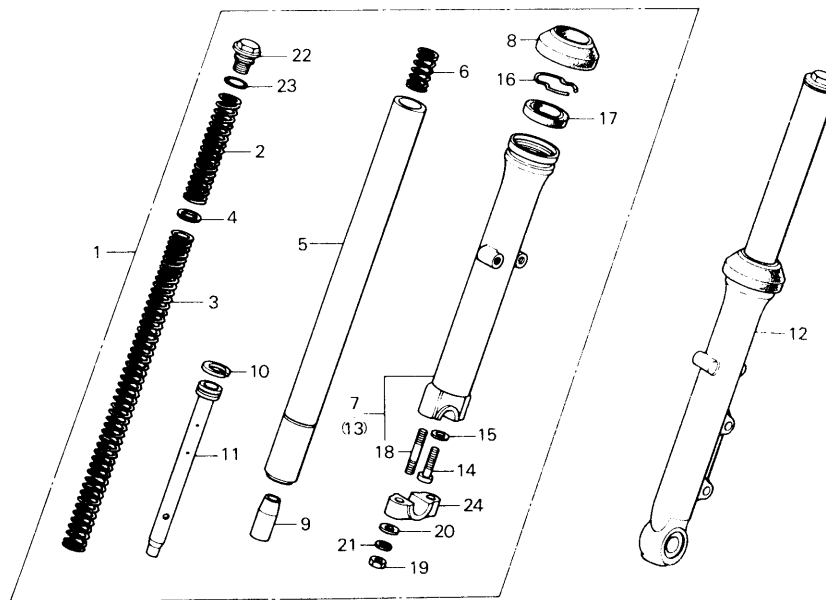


B415-31

Service item	F.R.T.	Ref. No.	Part No.	Description	Reqd. No. CX500	Serial No.	Area code
FORK ASSY., FR. (WHEN SERVICING COMP., UNIT, F.R.T. IS 0.8.)	C.5	1	51400-415-003	FORK ASSY., R. FR. (SHOWA)	1		CM,DK,DM,SA,U
			51400-415-611	FORK ASSY., R. FR. (SHOWA)	1		E,ED,F,G2,G,IT
SPRING, FR. CUSHION	C.2						
PIPE COMP., FR. FORK (WHEN SERVICING COMP., UNIT, F.R.T. IS 0.1.)	C.6	2	51401-415-003	SPRING A, FR. CUSHION (SHCWA)	2		
		3	51402-415-003	SPRING B, FR. CUSHION (SHCWA)	2		
CASE COMP., BOTTOM (WHEN SERVICING COMP., UNIT, F.R.T. IS 1.5.)	C.9	4	51403-362-010	PLATE, SPRING JCINT	2		
		5	51410-415-003	PIPE COMP., FR. FORK (SHOWA)	2		
OIL SEAL, 33X46X10.5 (WHEN SERVICING COMP., UNIT, F.R.T. IS 1.1.)	C.7	6	51412-331-770	SPRING, FR. CUSHION REBOUND	2		
		7	51421-413-003	CASE COMP., R. BOTTOM	1		CM,DK,DM,SA,U
			51421-415-611	CASE COMP., R. BOTTOM (SHCWA)	1		E,ED,F,G2,G,IT
		8	51425-369-C00	DUST SEAL, FR. FORK	2		
		9	51432-388-C03	PIECE, OIL LOCKING	2		
		10	51437-373-781	RING, PISTON	2		

F-9

Front fork

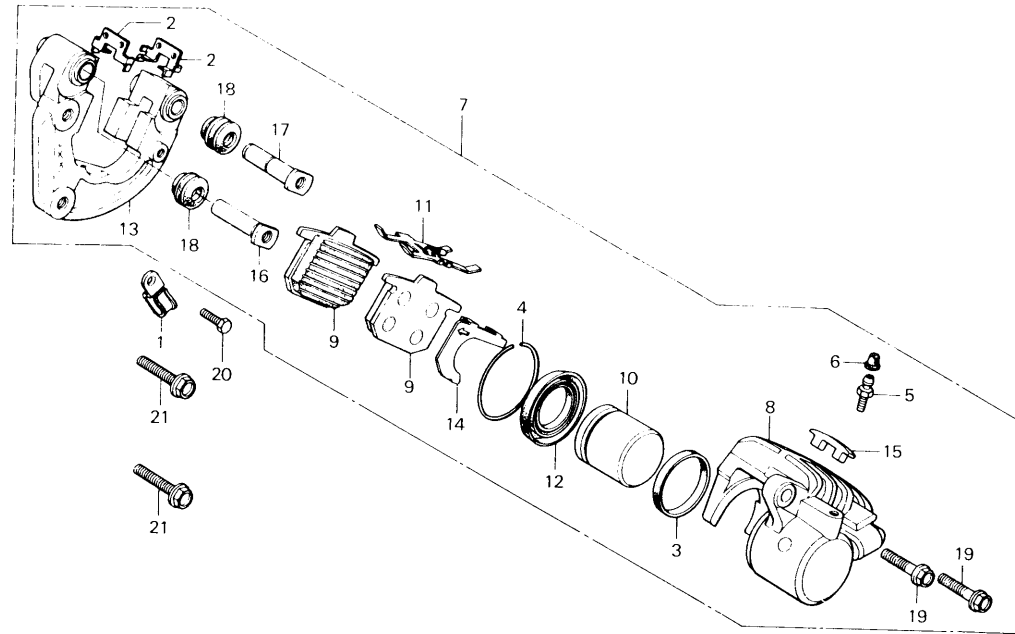


B415 31

Service item	F.R.T.	Ref. No.	Part No.	Description	Reqd. No. CX500	Serial No.	Area code
		11	51470-415-C03	PIPE, BOTTOM (SHOWA)	2		
		12	51500-415-CC3	FORK ASSY., L. FR. (SHOWA)	1		
		13	51521-413-003	CASE, L. BOTTOM	1		
		14	90116-283-C10	BOLT, SOCKET, 8MM	2		
		15	90544-283-000	WASHER, SPECIAL, 8MM	2		
		16	90601-369-000	RING, DIL SEAL STOPPER	2		
		17	91255-369-000	DIL SEAL, 33X46X10.5	2		
		18	92700-C8C5C-0B	BOLT, STUD, 8X50	2		
		19	94030-08000	NUT, HEX., 8MM	2		
		20	94101-C8C00	WASHER, PLAIN, 8MM	2		
		21	94111-08000	WASHER, SPRING, 8MM	2		
		22	94605-271C1	BOLT D1, FORK	2		
		23	94608-30000	C-RING, 23X2.4	2		
		24	95014-41000	HOLDER 1C, FR. FORK AXLE	1		

F-10

Front brake caliper (CM,DK,DM,SA,U)

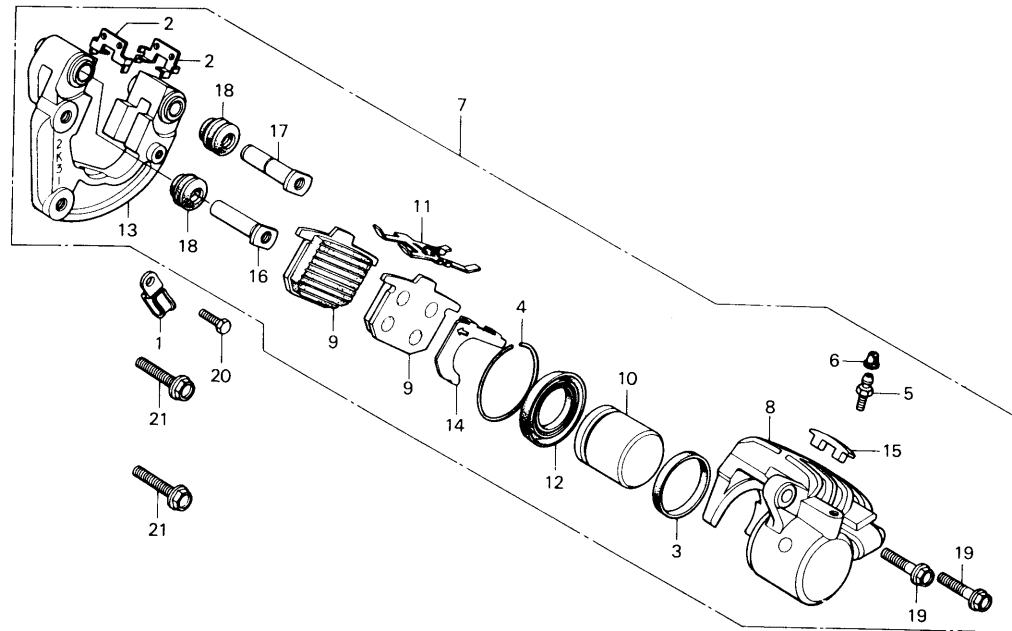


B415-32

Service item	F.R.T.	Ref. No.	Part No.	Description	Reqd. No. CX500	Serial No.	Area code
CALIPER ASSY., L. FR.	0.3	1	32906-049-000	CLIP, HIGH TENSION CORD	1		CM,DK,DM,SA,U
CALIPER, L.	0.4	2	43112-410-006	RETAINER, RR. BRACKET (NISSHIN)	2		CM,DK,DM,SA,U
PISTON		3	43209-431-671	SEAL, PISTON	1		CM,DK,DM,SA,U
PAD COMP. BRACKET, L. FR.	C.1 0.2	4	43218-371-006	CLIP, DUST COVER (NISSHIN)	1		CM,DK,DM,SA,U
		5	43352-568-003	VALVE, BLEEDER	1		CM,DK,DM,SA,U
		6	43353-548-003	CAP, BLEED SCREW	1		CM,DK,DM,SA,U
		7	45100-415-006	CALIPER ASSY., L. FR. (NISSHIN)	1		CM,DK,DM,SA,U
		8	45101-415-006	CALIPER, L. (NISSHIN)	1		CM,DK,DM,SA,U
		9	45105-415-006	PAD COMP. (NISSHIN)	2		CM,DK,DM,SA,U
		10	45107-415-006	PISTON (NISSHIN)	1		CM,DK,DM,SA,U
		11	45108-415-006	SPRING, PAD (NISSHIN)	1		CM,DK,DM,SA,U
		12	45109-371-006	BOOT, PISTON (NISSHIN)	1		CM,DK,DM,SA,U
		13	45110-415-006	BRACKET, L. FR. (NISSHIN)	1		CM,DK,DM,SA,U
		14	45114-371-006	SHIM A, PAD (NISSHIN)	1		CM,DK,DM,SA,U

F-10

Front brake caliper (CM,DK,DM,SA,U)

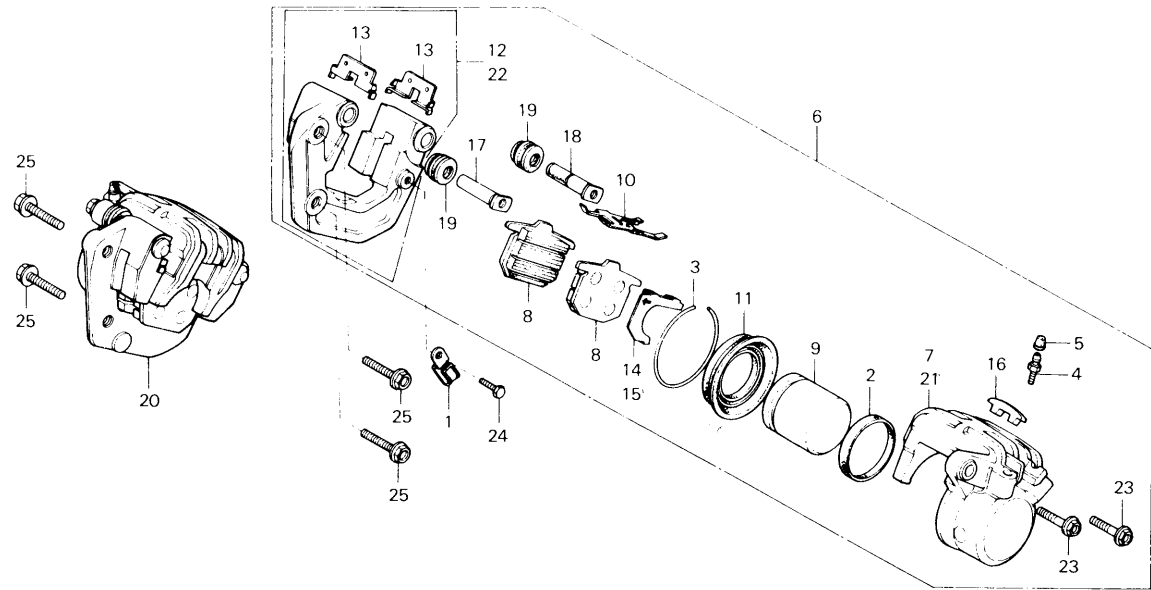


8415-32

Service item	F.R.T.	Ref. No.	Part No.	Description	Reqd. No. CX500	Serial No.	Area code
		15	45119-371-000	CAP, INDICATOR	1		CM,DK,DM,SA,U
		16	45131-410-006	PIN A (NISSHIN)	1		CM,DK,DM,SA,U
		17	45132-410-006	PIN B (NISSHIN)	1		CM,DK,DM,SA,U
		18	45133-371-006	COVER, DUST (NISSHIN)	2		CM,DK,DM,SA,U
		19	90116-410-006	BOLT, 8X25 (NISSHIN)	2		CM,DK,DM,SA,U
		20	92000-C6C1C	BOLT, HEX., 6X10	1		CM,DK,DM,SA,U
		21	95800-1C032-00	BOLT, FLANGE, 16X32	2		CM,DK,DM,SA,U

F-10-1

Front brake caliper (E,ED,F,G2,G,IT)

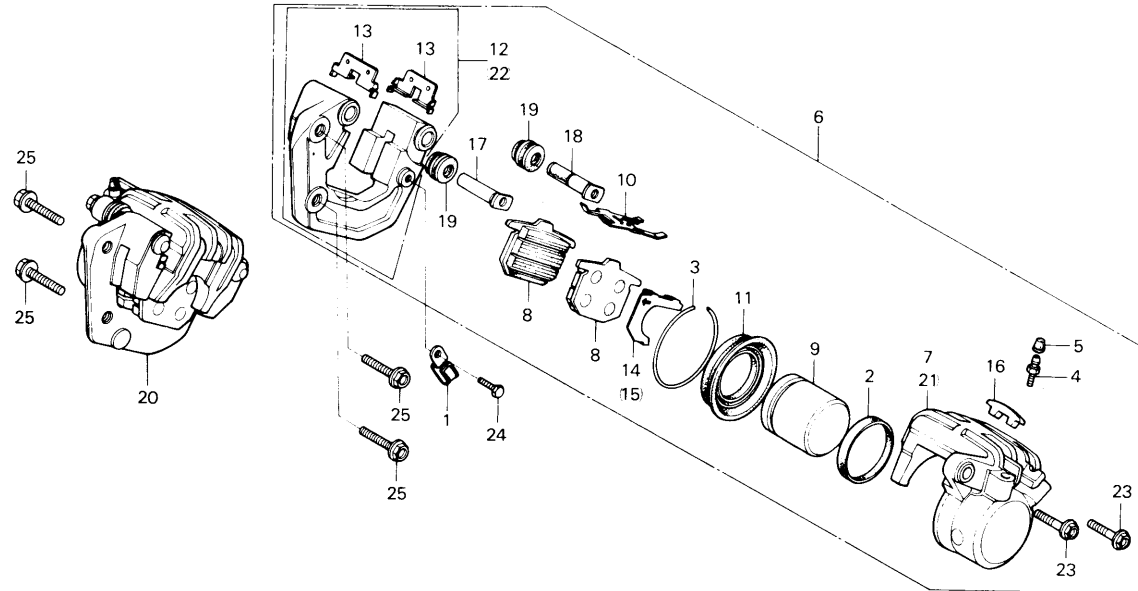


B415-63

Service item	F.R.T.	Ref. No.	Part No.	Description	Reqd. No. CX500	Serial No.	Area code
CALIPER ASSY., L. FR.	G.3	1	32906-049-000	CLIP, HIGH TENSION CORD	1		E,ED,F,G2,G,IT
CALIPER ASSY., R. FR.		2	43209-371-006	SEAL, PISTON (NISSHIN)	2		E,ED,F,G2,G,IT
CALIPER, L.	G.4	3	43218-371-006	CLIP, DUST COVER (NISSHIN)	2		E,ED,F,G2,G,IT
PISTON		4	43352-568-003	VALVE, BLEEDER	2		E,ED,F,G2,G,IT
CALIPER, R.	G.1	5	43353-548-003	CAP, BLEED SCREW	2		E,ED,F,G2,G,IT
PAD COMP.	G.2	6	45100-415-611	CALIPER ASSY., L. FR. (NISSHIN)	1		E,ED,F,G2,G,IT
BRACKET, L. FR.		7	45101-410-006	CALIPER, L. (NISSHIN)	1		E,ED,F,G2,G,IT
BRACKET, R. FR.		8	45105-410-016	PAD COMP. (NISSHIN)	4		E,ED,F,G2,G,IT
		9	45107-410-006	PISTON (NISSHIN)	2		E,ED,F,G2,G,IT
		10	45108-410-006	SPRING, PAD (NISSHIN)	2		E,ED,F,G2,G,IT
		11	45109-371-006	BOOT, PISTON (NISSHIN)	2		E,ED,F,G2,G,IT
		12	45110-415-611	BRACKET, L. FR. (NISSHIN)	1		E,ED,F,G2,G,IT
		13	45112-410-006	RETAINER, FR. BRACKET	4		E,ED,F,G2,G,IT
		14	45114-371-006	SHIM A, PAD (NISSHIN)	1		E,ED,F,G2,G,IT

F-10-1

Front brake caliper (E,ED,F,G2,G,IT)

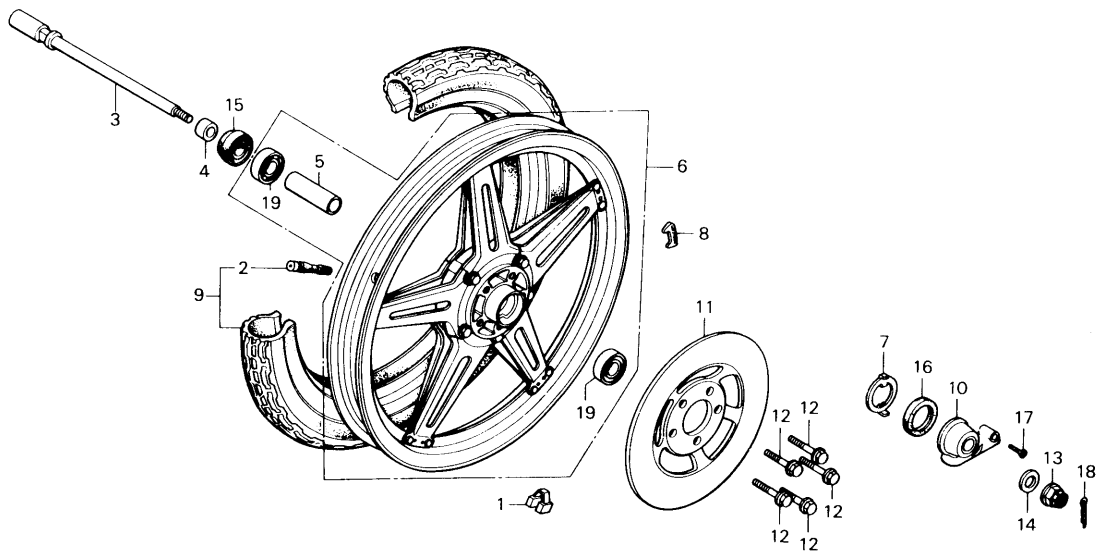


B415-63

Service item	F.R.T.	Ref. No.	Part No.	Description	Reqd. No. CX500	Serial No.	Area code
		15	45116-371-006	SHIM B, PAD (NISSHIN)	1		E,ED,F,G2,G,IT
		16	45119-371-000	CAP, INDICATOR	2		E,ED,F,G2,G,IT
		17	45131-410-006	PIN A (NISSHIN)	2		E,ED,F,G2,G,IT
		18	45132-410-006	PIN B (NISSHIN)	2		E,ED,F,G2,G,IT
		19	45133-371-006	COVER, DUST (NISSHIN)	4		E,ED,F,G2,G,IT
		20	45200-415-611	CALIPER ASSY., R. FR. (NISSHIN)	1		E,ED,F,G2,G,IT
		21	45201-410-006	CALIPER, R. (NISSHIN)	1		E,ED,F,G2,G,IT
		22	45210-415-611	BRACKET, R. FR. (NISSHIN)	1		E,ED,F,G2,G,IT
		23	90116-410-006	BOLT, 8X25 (NISSHIN)	4		E,ED,F,G2,G,IT
		24	92000-06610	BOLT, HEX., 6X10	1		E,ED,F,G2,G,IT
		25	95800-10032-00	BOLT, FLANGE, 1CX32	4		E,ED,F,G2,G,IT

F-11

Front wheel - Disk (CM,DK,DM,SA,U)

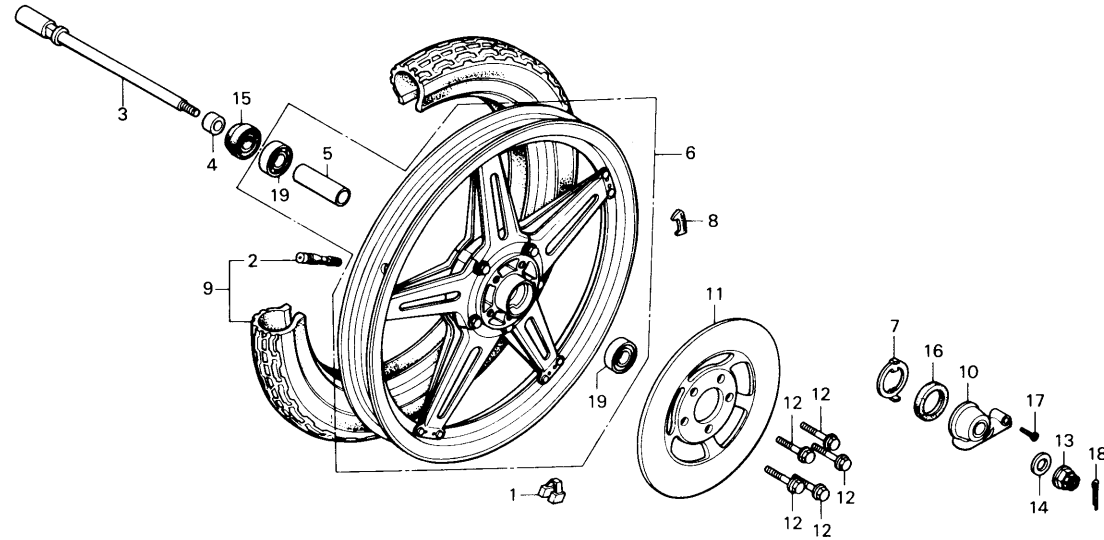


B415-33

Service item	F.R.T.	Ref. No.	Part No.	Description	Reqd. No. CX500	Serial No.	Area code
WEIGHT, BALANCE	0.8	1	42705-410-000	WEIGHT, BALANCE (20G)	N		CM,DK,DM,SA,U
VALVE, RIM	C.9		42706-410-000	WEIGHT, BALANCE (30G)	N		CM,DK,DM,SA,U
TIRE ASSY., FR.		2	42753-634-003	VALVE, RIM (BS)	1		CM,DK,DM,SA,U
AXLE, FR. WHEEL	C.3		42753-634-006	VALVE, RIM (YOKOHAMA)	1		CM,DK,DM,SA,U
BCX ASSY., SPEEDOMETER GEAR		3	44301-413-000	AXLE, FR. WHEEL	1		CM,DK,DM,SA,U
COLLAR, FR. AXLE DISTANCE	0.6	4	44311-413-000	COLLAR, FR. WHEEL	1		CM,DK,DM,SA,U
BEARING, RADIAL BALL, 6302Z (ADD 0.1 FOR EACH.)		5	44620-286-000	COLLAR, FR. AXLE DISTANCE	1		CM,DK,DM,SA,U
WHEEL COMP., FR.	1.0	6	44650-415-305	WHEEL COMP., FR.	1		CM,DK,DM,SA,U
DISK, FR. BRAKE	C.4	7	44680-410-000	RETAINER, GEAR BOX	1		CM,DK,DM,SA,U
OIL SEAL, 26X42X7		8	44703-413-780	MARK, FR. SPOKE PLATE	10		CM,DK,DM,SA,U
		9	44710-415-C03	TIRE ASSY., FR. (3.25S-19 BS)	1		DK,DM,SA,U
			44710-415-009	TIRE ASSY., FR. (3.25S-19 YOKOHAMA)	1		DK,DM,SA,U
			44710-415-671	TIRE ASSY., FR. (3.25S-19 YOKOHAMA)	1		CM
			44710-415-672	TIRE ASSY., FR. (3.25S-19 BS)	1		CM

F-11

Front wheel - Disk (CM,DK,DM,SA,U)

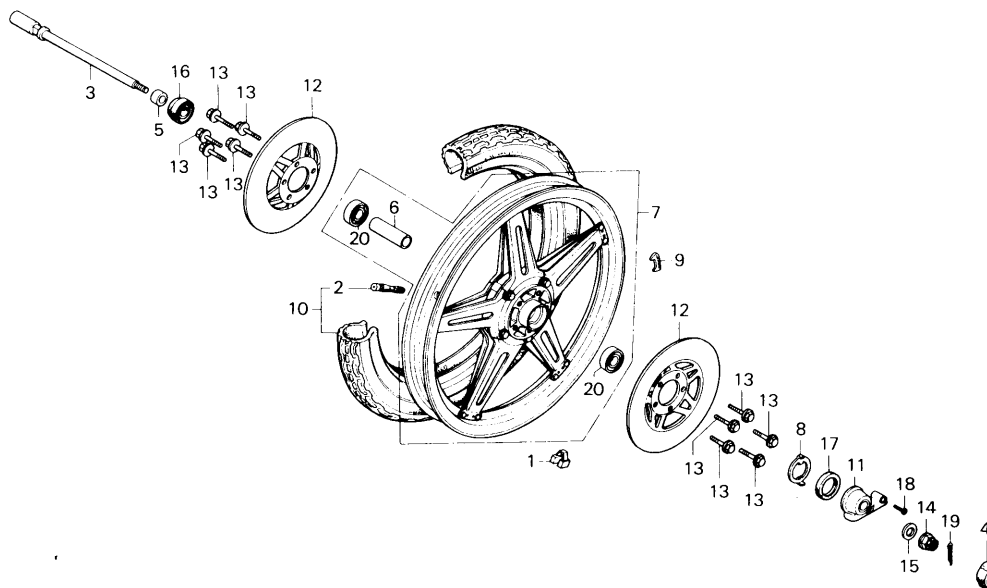


B415-33

Service item	F.R.T.	Ref. No.	Part No.	Description	Reqd. No. CX500	Serial No.	Area code
		10	44800-410-C03	BOX ASSY., SPEEDMETER GEAR	1		CM,DK,DM,SA,U
		11	45251-415-000	DISK, FR. BRAKE	1		CM,DK,DM,SA,U
		12	90112-413-000	BOLT, UBS, 8X33	5		CM,DK,DM,SA,U
		13	90305-401-680	NUT, AXLE, 14MM	1		CM,DK,DM,SA,U
		14	90557-230-000	WASHER, 15.2X25	1		CM,DK,DM,SA,U
		15	91252-230-003	OIL SEAL, 26X42X7	2		CM,DK,DM,SA,U
			91252-230-C05	OIL SEAL, 26X42X7	1		CM,DK,DM,SA,U
		16	91258-410-C13	DUST SEAL, 40X50X5	1		CM,DK,DM,SA,U
		17	93700-C5016-0A	SCREW, OVAL, 5X16	1		CM,DK,DM,SA,U
		19	94201-30250	PIN, SPLIT, 3.0X25	1		CM,DK,DM,SA,U
		19	96120-63020-10	BEARING, RADIAL BALL, 63C2Z	2		CM,DK,DM,SA,U

F-11-1

Front wheel - Disk (E,ED,F,G2,G,IT)

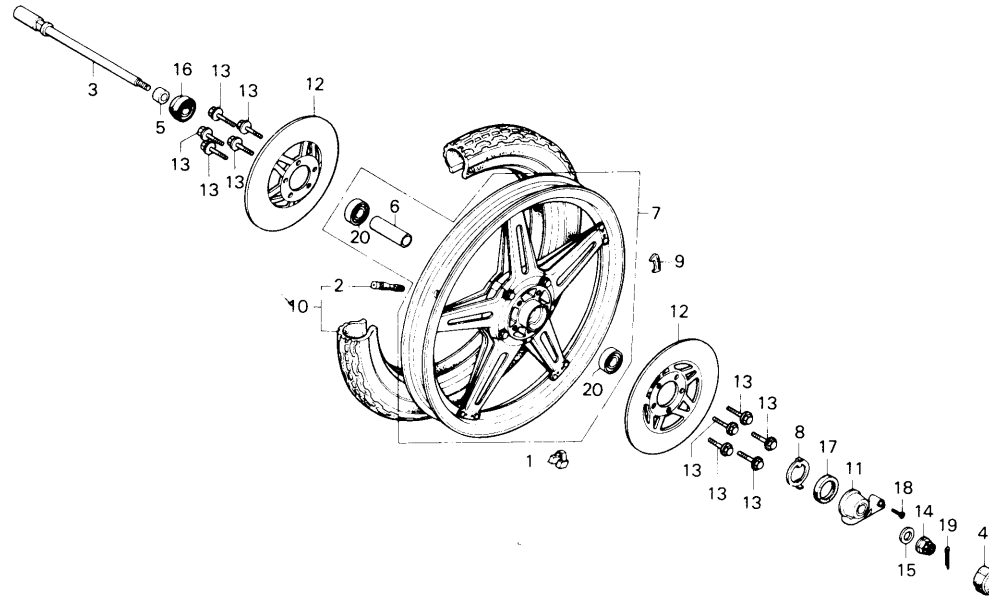


B415-64

Service item	F.R.T.	Ref. No.	Part No.	Description	Reqd. No. CX500	Serial No.	Area code
WEIGHT, BALANCE VALVE, RIM	C.8	1	42705-410-000	WEIGHT, BALANCE (20G)	N		E,ED,F,G2,G,IT
TIRE ASSY., FR.	C.9		42706-410-000	WEIGHT, BALANCE (30G)	N		E,ED,F,G2,G,IT
AXLE, FR. WHEEL	C.3	2	42753-634-003	VALVE, RIM (BS)	1		E,ED,F,G2,G,IT
BOX ASSY., SPEEDOMETER GEAR			42753-634-006	VALVE, RIM (YOKOHAMA)	1		E,ED,F,G2,G,IT
COLLAR, FR. AXLE DISTANCE	C.6	3	44301-413-000	AXLE, FR. WHEEL	1		E,ED,F,G2,G,IT
BEARING, RADIAL BALL, 6302Z (ADD 0.1 FOR EACH.)			44302-351-610	CAP, AXLE NUT	1		G2,G
WHEEL COMP., FR.	1.0		44311-413-000	COLLAR, FR. WHEEL	1		E,ED,F,G2,G,IT
DISK, FR. BRAKE	0.4	6	44620-286-000	COLLAR, FR. AXLE DISTANCE	1		E,ED,F,G2,G,IT
OIL SEAL, 26X42X7			44650-415-610	WHEEL COMP., FR.	1		E,ED,F,G2,G,IT
			44680-410-000	RETAINER, GEAR BOX	1		E,ED,F,G2,G,IT
			44703-413-780	MARK, FR. SPOKE PLATE	10		E,ED,F,G2,G,IT
			44710-415-003	TIRE ASSY., FR. (3.25S-19 BS)	1		E,ED,F,G2,G,IT
			44710-415-009	TIRE ASSY., FR. (3.25S-19 YOKOHAMA)	1		E,ED,F,G2,G,IT
			44800-410-003	BOX ASSY., SPEEDOMETER GEAR	1		E,ED,F,G2,G,IT
			45251-415-610	DISK, FR. BRAKE	2		E,ED,F,G2,G,IT

F-11-1

Front wheel · Disk (E,ED,F,G2,G,IT)

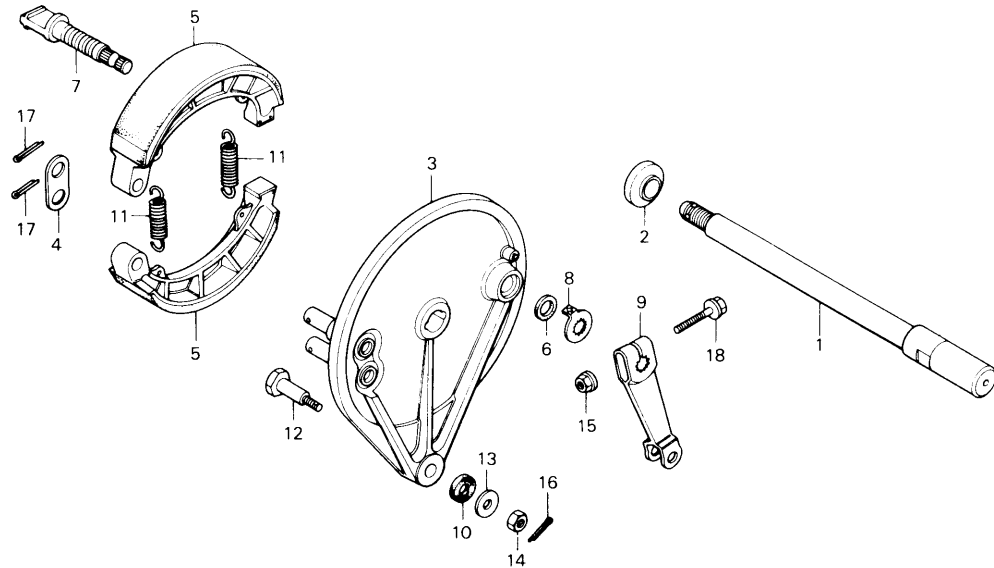


B415-64

Service item	F.R.T.	Ref. No.	Part No.	Description	Reqd. No. CX500	Serial No.	Area code
		13	90112-413-000	BOLT, UBS, 8X33	10		E,ED,F,G2,G,IT
		14	90305-401-680	NUT, AXLE, 14MM	1		E,ED,F,G2,G,IT
		15	90557-230-000	WASHER, 15.2X25	1		E,ED,F,G2,G,IT
		16	91252-230-003	OIL SEAL, 26X42X7	2		E,ED,F,G2,G,IT
			91252-230-005	OIL SEAL, 26X42X7	1		E,ED,F,G2,G,IT
		17	91258-410-C13	DUST SEAL, 40X50X5	1		E,ED,F,G2,G,IT
		18	93700-05016-0A	SCREW, OVAL, 5X16	1		E,ED,F,G2,G,IT
		19	94201-36250	PIN, SPLIT, 3.0X25	1		E,ED,F,G2,G,IT
		20	96120-63G20-10	BEARING, RADIAL BALL, 63G2Z	2		E,ED,F,G2,G,IT

F-12

Rear brake panel

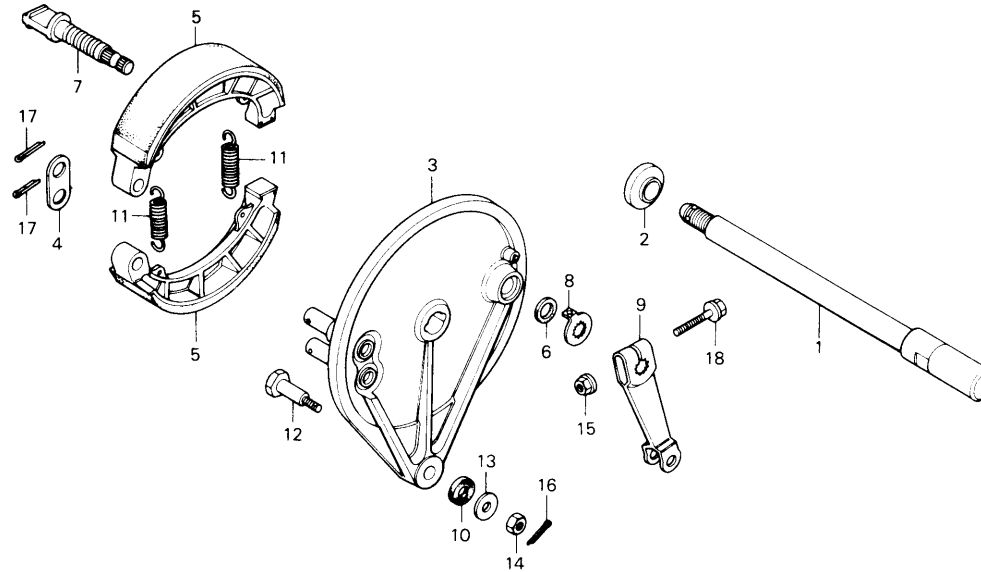


B415-34

Service item	F.R.T.	Ref. No.	Part No.	Description	Reqd. No. CX500	Serial No.	Area code
AXLE, RR. WHEEL	0.4	1	42301-415-000	AXLE, RR. WHEEL	1		
PANEL COMP., RR.	0.6	2	42311-415-000	COLLAR, RR. PANEL SIDE	1		
INC. RELATIVE PART		3	43100-415-000	PANEL COMP., RR.	1		
ARM, RR. BRAKE	0.1	4	43102-319-000	WASHER, ANCHOR PIN	1		
INC. RELATIVE PART		5	43120-415-000	SHOE COMP., RR. BRAKE	2		
		6	43134-300-000	DUST SEAL, BRAKE CAM	1		
		7	43141-415-000	CAM, RR. BRAKE	1		
		9	43145-415-000	INDICATOR, RR. BRAKE	1		
		9	43410-415-000	ARM, RR. BRAKE	1		
		10	43434-286-000	RUBBER, STOPPER ARM CUSHION	1		
		11	45133-329-000	SPRING, FR. BRAKE SHOE	2		
		12	90127-393-000	BOLT, RR. BRAKE STOPPER	1		
		13	90524-030-000	WASHER A, HANDLE HOLDER	1		
				SETTING			

F-12

Rear brake panel

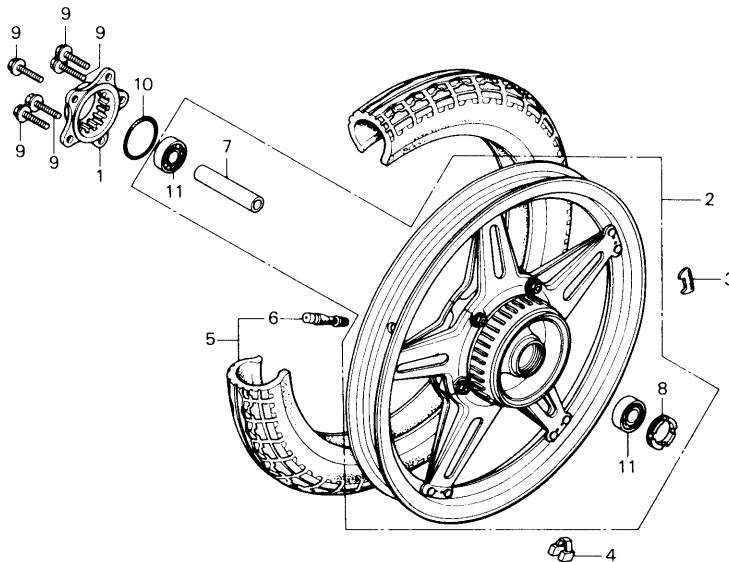


B415-34

Service item	F.R.T.	Ref. No.	Part No.	Description	Reqd. No. CX500	Serial No.	Area code
		14	94001-08CC0-05	NUT, HEX., 8MM	1		
		15	94050-08CC0	NUT, FLANGE, 8MM	1		
		16	94201-20180	PIN, SPLIT, 2.0X18	1		
		17	94201-25200	PIN, SPLIT, 2.5X20	2		
		18	95700-08040-00	BOLT, FLANGE, 8X40	1		

F-13

Rear wheel

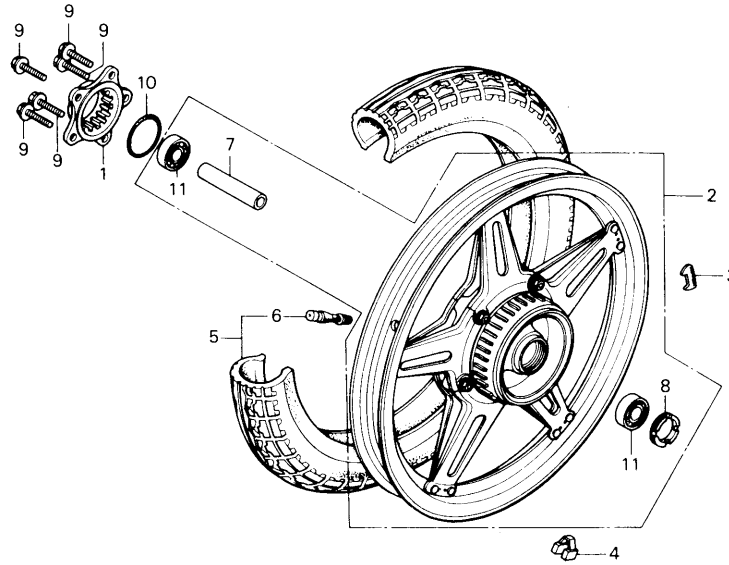


B415-35

Service item	F.R.T.	Ref. No.	Part No.	Description	Reqd. No. CX500	Serial No.	Area code
FLANGE, FINAL DRIVEN	0.5	1	42610-415-000	FLANGE, FINAL DRIVEN	1		
RETAINER, WHEEL BEARING		2	42650-415-305	WHEEL COMP., RR.	1		
WHEEL COMP., RR.	1.2	3	42703-413-780	MARK, RR. SPOKE PLATE	10		
WEIGHT, BALANCE	0.9	4	42705-41C-000	WEIGHT, BALANCE (20G)	N		
TIRE ASSY., RR.	1.1	4	42706-41C-000	WEIGHT, BALANCE (30G)	N		
VALVE, RIM		5	42710-415-C03	TIRE ASSY., RR. (3.75S-18 BS)	1		DK,DM,E,ED,F,G2,G,IT,SA,U
COLLAR, WHEEL DISTANCE	C.7						
BEARING, RADIAL BALL, 6302U (ADD 0.1 FOR EACH.)	0.6		42710-415-009	TIRE ASSY., RR. (3.75S-18 YOKOHAMA)	1		DK,DM,E,ED,F,G2,G,IT,SA,U
			42710-415-671	TIRE ASSY., RR. (3.75S-18 YOKOHAMA)	1		CM
			42710-415-672	TIRE ASSY., RR. (3.75S-18 BS)	1		CM
		6	42753-634-003	VALVE, RIM (BS)	1		
			42753-634-006	VALVE, RIM (YOKOHAMA)	1		
		7	44620-41C-000	COLLAR, FR. WHEEL DISTANCE	1		
		8	44643-300-000	RETAINER, FR. WHEEL BEARING	1		
		9	90128-402-000	BOLT, FINAL SPROCKET	5		
		10	91357-415-003	O-RING, 55X2.4	1		

F-13

Rear wheel

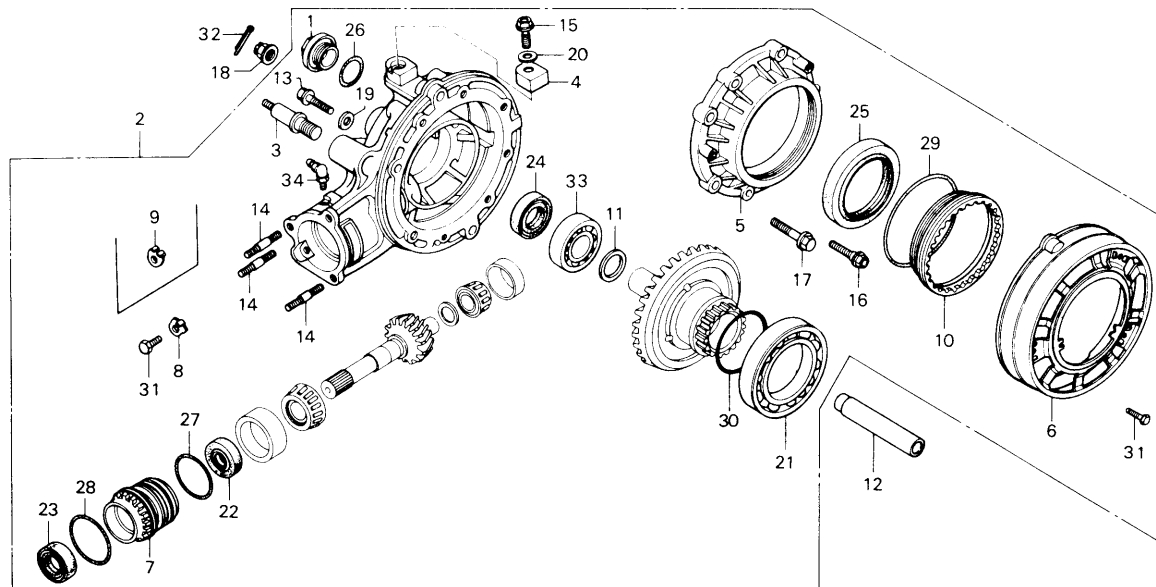


B415-35

Service item	F.R.T.	Ref. No.	Part No.	Description	Reqd. No. CX500	Serial No.	Area code
		11	96140-63C20-10	BEARING, RADIAL BALL, 63C2U	2		

F-14

Final driven gear

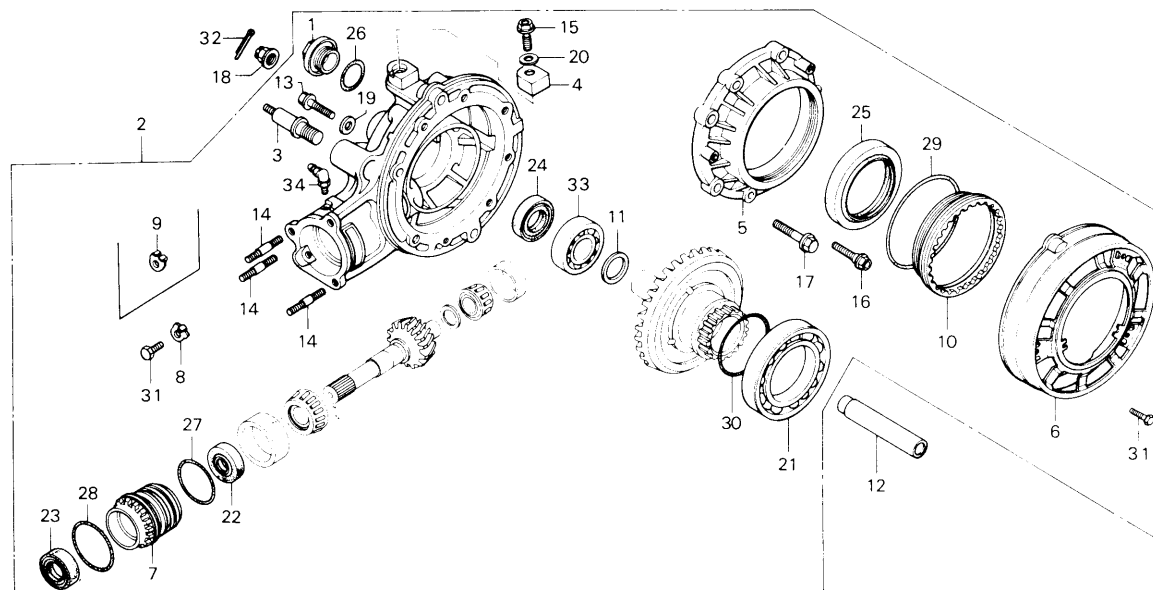


B415-36

Service item	F.R.T.	Ref. No.	Part No.	Description	Reqd. No. CX500	Serial No.	Area code
GEAR ASSY., FINAL DRIVEN	0.5	1	12361-300-000	CAP, TAPPET ADJUSTING HOLE	1		
COVER, L. GEAR CASE	0.9						
RETAINER A, BEARING	0.6	2	41300-415-000	GEAR ASSY., FINAL DRIVEN	1		
BOLT, STUD, 1CX45 (ADD 0.1 FOR EACH.)		3	41303-415-300	STAY, RR. CUSHION UNDER	1		
OIL SEAL, 7CX9CX8		4	41306-415-000	CAP, BREATHER	1		
SHIM A, RING GEAR	0.7	5	41321-415-000	COVER, L. GEAR CASE	1		
OIL SEAL, 25X40X8							
OIL SEAL, 33X43X7							
RETAINER B, BEARING		6	41324-415-000	PLATE, DUST GUARD	1		
BEARING, 6914	1.0	7	41331-415-000	RETAINER B, BEARING	1		
OIL SEAL, 30X47X7		8	41332-415-000	LOCK A, BEARING ADJUSTING	1		
BEARING, RADIAL BALL, 6006		9	41333-415-000	LOCK B, BEARING ADJUSTING	1		
		10	41351-371-000	RETAINER A, BEARING	1		
		11	41510-415-000	SHIM A, RING GEAR (1.80)	1		
			41511-415-000	SHIM B, RING GEAR (1.84)	1		

F-14

Final driven gear

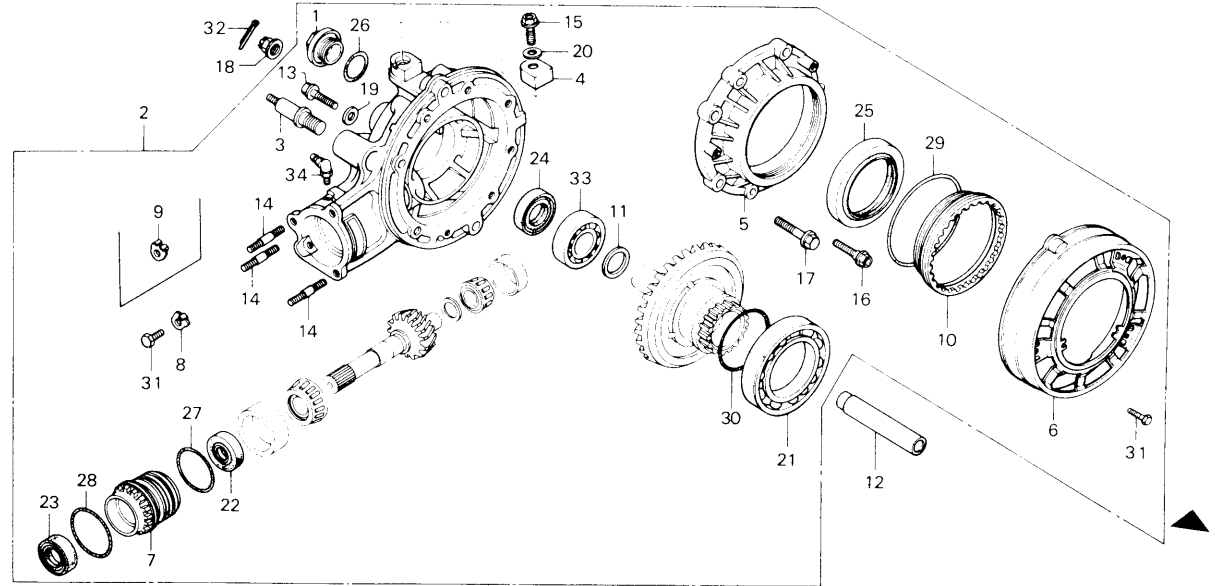


B415-36

Service item	F.R.T.	Ref. No.	Part No.	Description	Reqd. No. CX500	Serial No.	Area code
			41512-415-000	SHIM C, RING GEAR (1.88)	1		
			41513-415-000	SHIM D, RING GEAR (1.92)	1		
			41514-415-000	SHIM E, RING GEAR (1.96)	1		
			41515-415-000	SHIM F, RING GEAR (2.00)	1		
			41516-415-000	SHIM G, RING GEAR (2.04)	1		
			41517-415-000	SHIM H, RING GEAR (2.08)	1		
			41518-415-000	SHIM I, RING GEAR (2.12)	1		
			41519-415-000	SHIM J, RING GEAR (2.16)	1		
			41520-415-000	SHIM K, RING GEAR (2.20)	1		
			41521-415-000	SHIM L, RING GEAR (2.24)	1		

F-14

Final driven gear

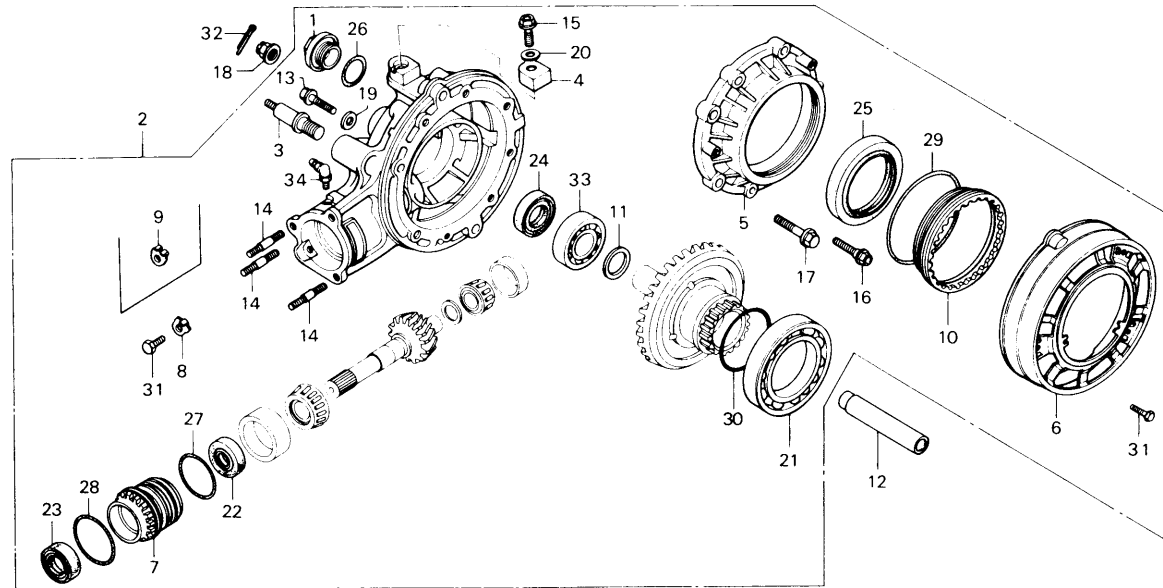


B415-36

Service item	F.R.T.	Ref. No.	Part No.	Description	Reqd. No. CX500	Serial No.	Area code
			41522-415-000	SHIM M, RING GEAR (2.28)	1		
			41523-415-000	SHIM N, RING GEAR (2.32)	1		
		12	42623-415-000	COLLAR, RR. AXLE DISTANCE	1		
		13	90109-371-000	BOLT, SEALING, 8MM	1		
		14	90125-371-000	BOLT, STUD, 10X45	3		
		15	90126-415-000	BOLT, BREATHER	1		
		16	90133-371-000	BOLT, FLANGE, 8X32	6		
		17	90134-371-000	BOLT, FLANGE, 10X38	2		
		18	90305-401-680	NUT, AXLE, 14MM	1		
		19	90471-580-000	WASHER, 8MM	1		
		20	90545-300-000	WASHER, OIL BOLT	1		
		21	91051-371-003	BEARING, 6914 (TOYO)	1		
			91051-371-004	BEARING, 6914 (KOYO)	1		
			91051-371-005	BEARING, 6914 (NACHI)	1		
		22	91261-415-003	OIL SEAL, 25X40X8	1		

F-14

Final driven gear

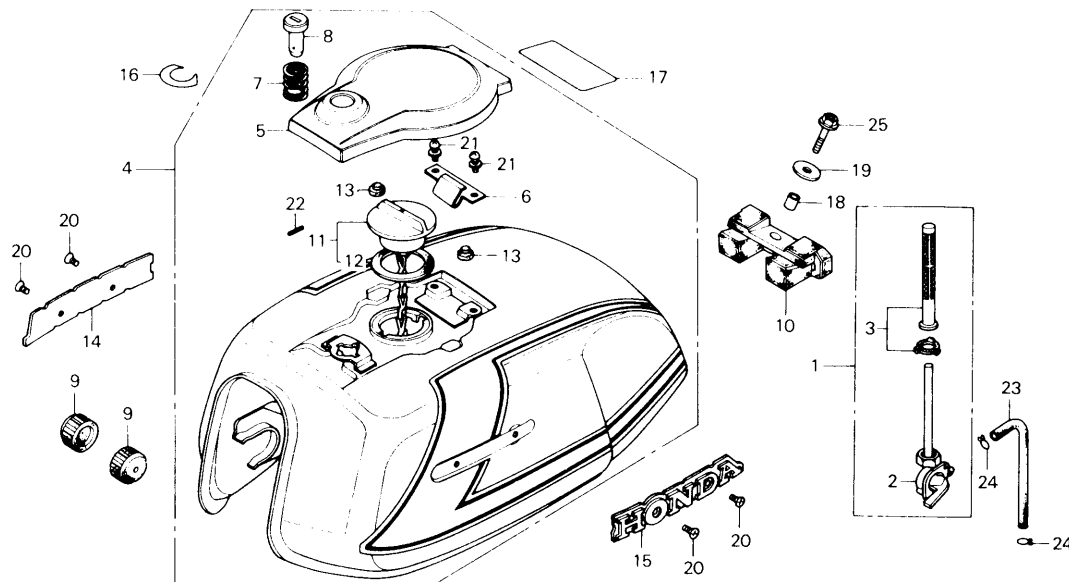


B415-36

Service item	F.R.T.	Ref. No.	Part No.	Description	Reqd. No. CX500	Serial No.	Area code
		23	91262-415-003	OIL SEAL, 33X43X7	1		
		24	91264-415-003	OIL SEAL, 30X47X7	1		
		25	91265-371-003	OIL SEAL, 70X90X8	1		
		26	91302-001-C20	O-RING, 30.8MM	1		
		27	91353-415-C03	O-RING, 49.6X3.5	1		
			91353-415-004	O-RING, 49.6X3.5	1		
		28	91354-415-C03	O-RING, 53.6X2.4	1		
		29	91355-371-003	O-RING, 96.5X2.0	1		
		30	91356-415-C03	O-RING, 62.7X4	1		
		31	92000-C6010	BOLT, HEX., 6X10	4		
		32	94201-30250	PIN, SPLIT, 3.0X25	1		
		33	96100-60063-00	BEARING, RADIAL BALL, 6006	1		
		34	96201-80000	NIPPLE, GREASE, B.T6S	1		

F-15

Fuel tank



B415-37

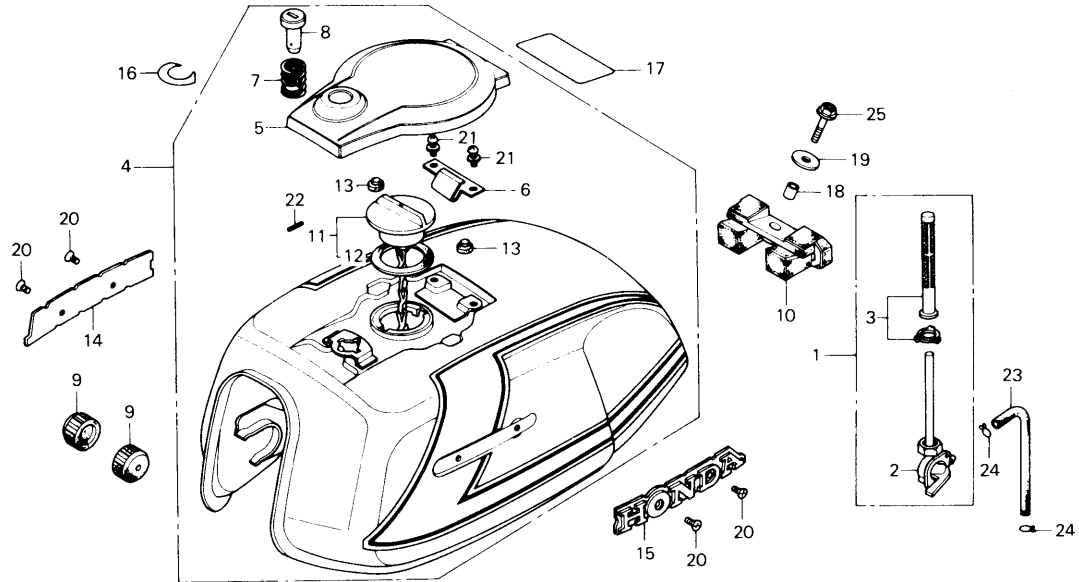
Service item	F.R.T.	Ref. No.	Part No.	Description	Reqd. No. CX500	Serial No.	Area code
COCK ASSY., FUEL INC. RELATIVE PART	0.2	1	16950-385-701	COCK ASSY., FUEL	1		
TANK ASSY., FUEL LID COMP., FUEL TANK INC. RELATIVE PART	0.4 0.1	2	16951-385-701	BODY COMP., COCK	1		
		3	16952-388-005	SCREEN SET, FUEL STRAINER	1		
		4	17500-415-000ZA	TANK ASSY., FUEL *R-33*	1		
			17500-415-000ZB	TANK ASSY., FUEL *PB-3C-C*	1		
			17500-415-000ZC	TANK ASSY., FUEL *R-9C-S*	1		
			17500-415-000ZD	TANK ASSY., FUEL *NH-1*	1		
			17500-415-000ZE	TANK ASSY., FUEL *R-BC-S*	1		
		5	17511-415-000ZA	LID COMP., FUEL TANK *A-01*	1		
		6	17512-413-000	SPRING A, FUEL TANK LID	1		
		7	17516-383-670	SPRING B, FUEL TANK LID	1		

1977.11.20

F-15

F-15

Fuel tank



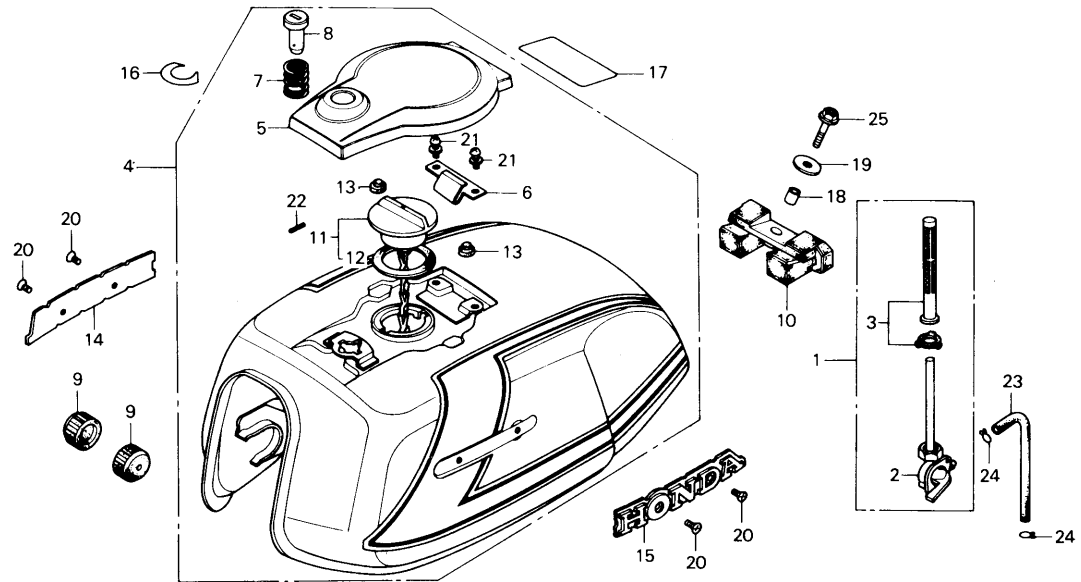
B415-37

Service item	F.R.T.	Ref. No.	Part No.	Description	Reqd. No. CX500	Serial No.	Area code
--------------	--------	----------	----------	-------------	-----------------	------------	-----------

		8	17517-413-000	PIN, FUEL TANK LID	1		
		9	17611-286-000	CUSHION, FUEL TANK FR.	2		
		10	17613-413-000	CUSHION, FUEL TANK RR.	1		
		11	17620-377-720	CAP COMP., FUEL FILLER	1		
		12	17631-329-000	PACKING, FUEL FILLER CAP	1		
		13	40514-333-000	PLUG, CHAIN CASE	2		
		14	87121-415-000	EMBLEM, R. FUEL TANK	1		
		15	87122-415-000	EMBLEM, L. FUEL TANK	1		
		16	87132-415-300	MARK, FUEL TANK LID	1		
		17	87560-375-680A	MARK, DRIVE CAUTION	1		
			87560-375-680B	MARK, DRIVE CAUTION	1		

F-15

Fuel tank

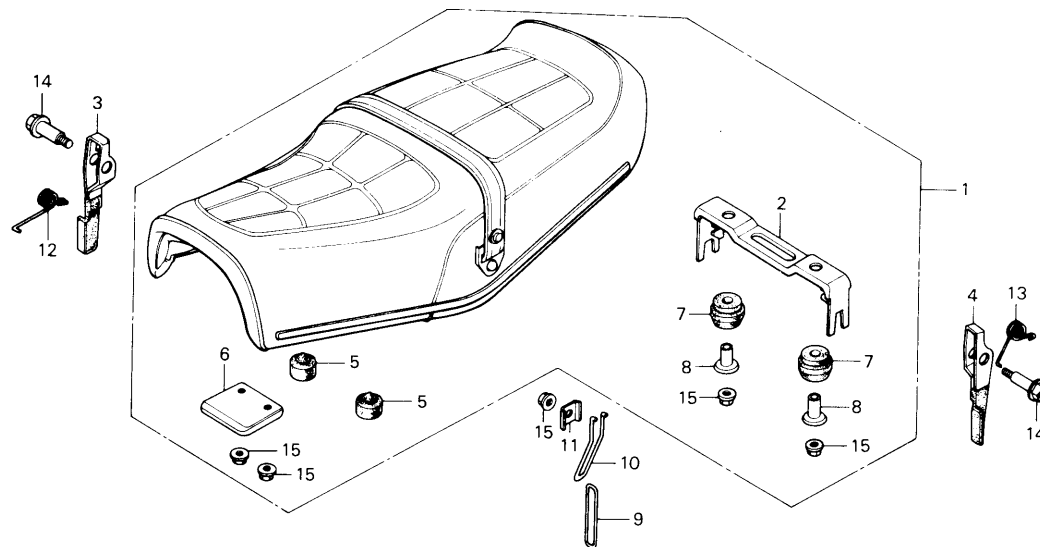


B415-37

Service item	F.R.T.	Ref. No.	Part No.	Description	Reqd. No. CX500	Serial No.	Area code
		18	90324-300-000	COLLAR, 8MM	1		
		19	90534-011-000	WASHER, 8.3MM	1		
		20	93700-04006-0G	SCREW, OVAL, 4X6	4		
		21	93891-05C06-08	SCREW-WASHER, 5X6	2		
		22	94305-20183	PIN, SPRING, 2X18	1		
		23	95001-55140-40	TUBE, FUEL, 5.3X140	1		
		24	95002-02100	CLIP 810, TUBE	2		
		25	95700-08028-08	BOLT, FLANGE, 8X28	1		

F-16

Seat



B415-38

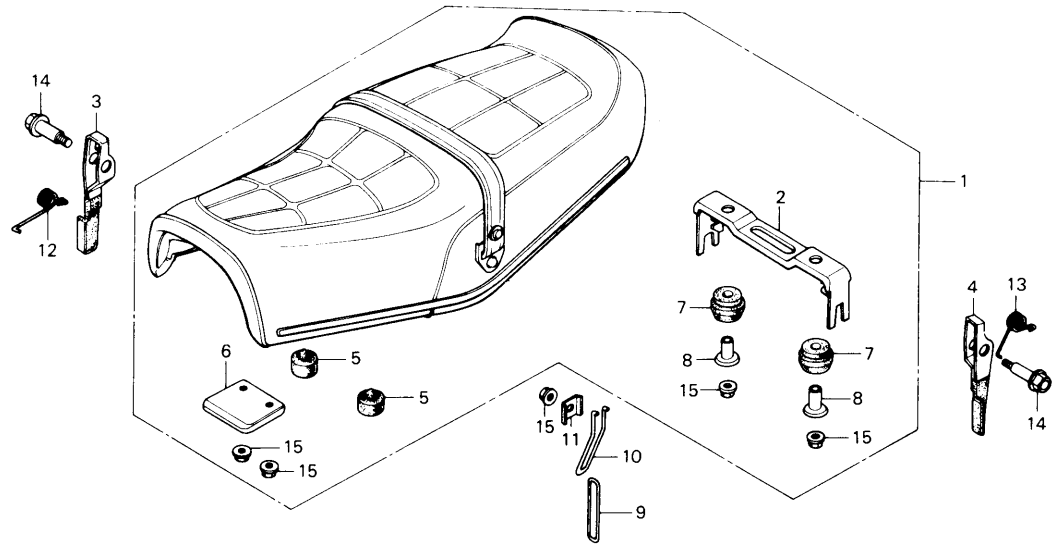
Service item	F.R.T.	Ref. No.	Part No.	Description	Reqd. No. CX500	Serial No.	Area code
SEAT COMP., DOUBLE INC. RELATIVE PART LEVER, SEAT LOCK INC. RELATIVE PART (ONE OR ALL)	0.1	1	77200-415-000	SEAT COMP., DOUBLE	1		
		2	77202-415-000	PLATE, SEAT LOCK	1		
		3	77204-415-000	LEVER, R. SEAT LOCK	1		
		4	77205-415-000	LEVER, L. SEAT LOCK	1		
		5	77206-329-000	RUBBER B, SEAT SETTING	2		
		6	77206-413-000	STAY, FR. SEAT	1		
		7	77206-415-000	RUBBER, SEAT MOUNT	2		
		8	77207-415-000	COLLAR, SEAT SET	2		
		9	77211-413-000	RING, SEAT LOCK	1		
		10	77212-415-000	ARM, SEAT LOCK	1		
		11	77213-413-000	WASHER, SEAT LOCK	1		
		12	77225-413-000	SPRING, R. SEAT LOCK	1		
		13	77226-413-000	SPRING, L. SEAT LOCK	1		

1977.11.20

F-16

F-16

Seat

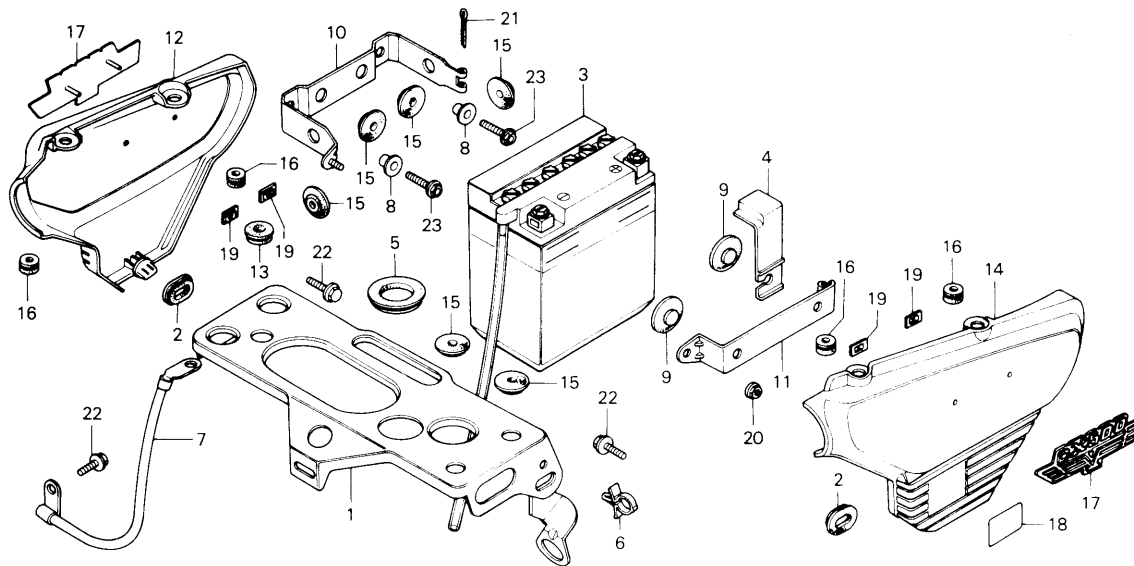


B415-38

Service item	F.R.T.	Ref. No.	Part No.	Description	Reqd. No. CX500	Serial No.	Area code
		14	90130-413-000	BOLT, SEAT LOCK	2		
		15	94050-06080	NUT, FLANGE, 6MM	5		

F-17

Side cover • Battery

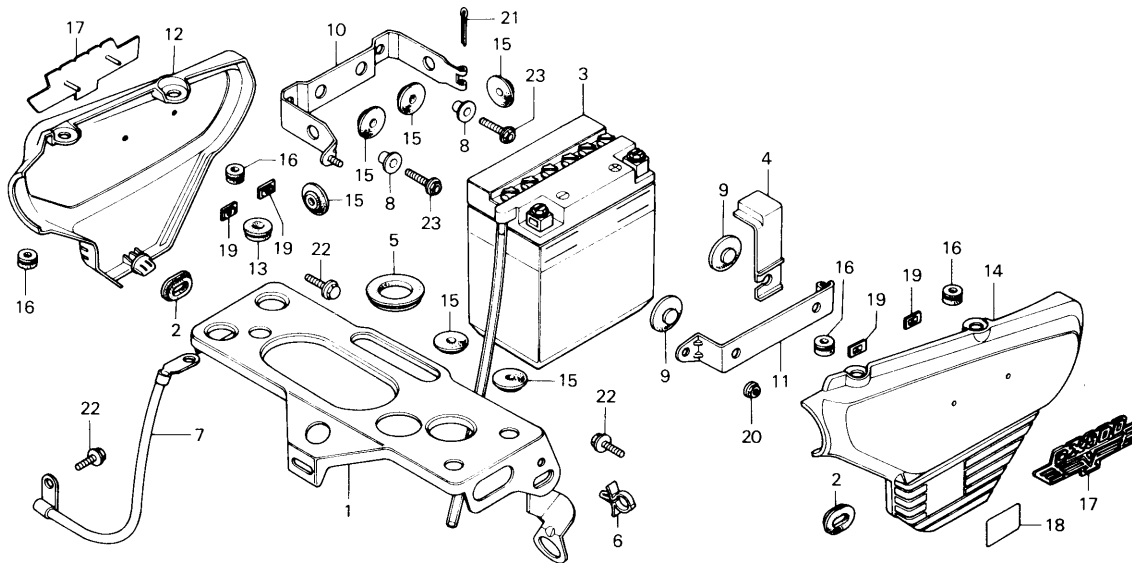


B415-39

Service item	F.R.T.	Ref. No.	Part No.	Description	Reqd. No. CX500	Serial No.	Area code
PLATE, AIR CLEANER HOLDER	1.2	1	17215-415-000	PLATE, AIR CLEANER HOLDER	1		
BATTERY ASSY.	C.1	2	17247-303-000	GROMMET A, AIR CLEANER CASE	2		
BAND B, BATTERY	C.3	3	31500-415-601	BATTERY ASSY. (YUASA)	1		
CABLE, EARTH	C.2	4	31561-415-000	COVER, BATTERY	1		
BAND A, BATTERY		5	32112-611-000	GROMMET, WIRE CORD	1		
		6	32175-647-920	CLIP, HARNESS	1		
		7	32601-415-000	CABLE, EARTH	1		
		8	40514-147-000	COLLAR, CHAIN CASE	2		
		9	50327-300-C10	RUBBER B, BATTERY	2		
		10	50327-415-000	BAND A, BATTERY	1		
		11	50328-415-000	BAND B, BATTERY	1		
		12	83500-415-000ZA	COVER, R. SIDE *R-33*	1		
			83500-415-000ZB	COVER, R. SIDE *PB-3C-C*	1		
			83500-415-000ZC	COVER, R. SIDE *R-9C-S*	1		
			83500-415-000ZD	COVER, R. SIDE *NH-1*	1		
			83500-415-000ZE	COVER, R. SIDE *R-8C-S*	1		

F-17

Side cover • Battery

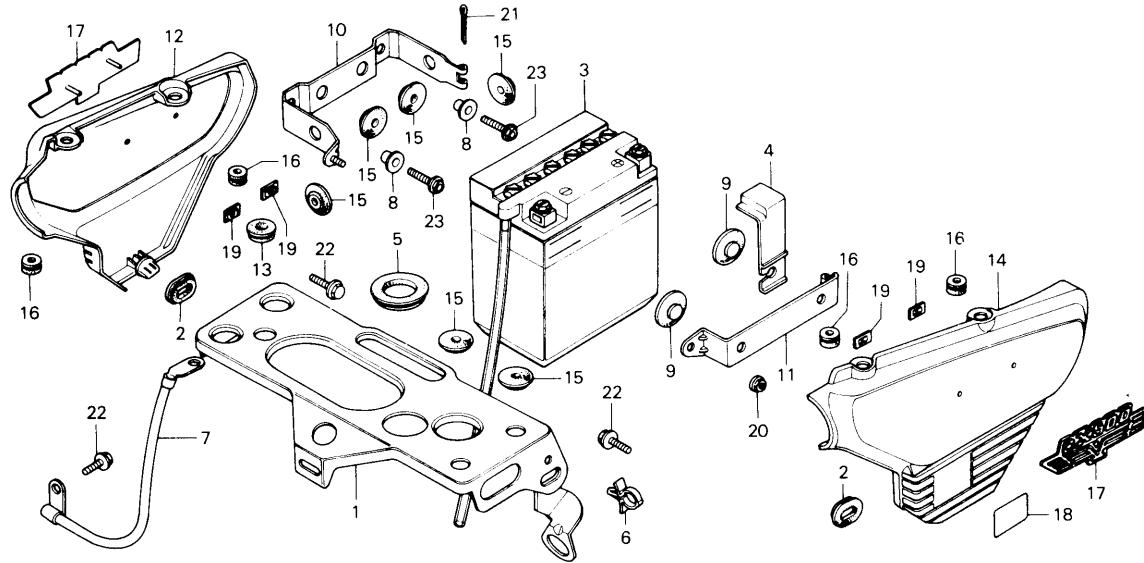


B415-39

Service item	F.R.T.	Ref. No.	Part No.	Description	Reqd. No. CX500	Serial No.	Area code
		13	83551-385-000	GRCMMET, SIDE COVER	1		
		14	83600-415-000ZA	COVER, L. SIDE *R-33*	1		
			83600-415-000ZB	COVER, L. SIDE *PB-3C-C*	1		
			83600-415-000ZC	COVER, L. SIDE *R-9C-S*	1		
			83600-415-000ZD	COVER, L. SIDE *NH-1*	1		
			83600-415-000ZE	COVER, L. SIDE *R-8C-S*	1		
		15	83618-323-000	RUBBER, BATTERY BOX	6		
		16	83705-413-000	GRCMMET, SIDE COVER SETTING	4		
		17	87125-415-670	EMBLEM, SIDE COVER	2		
		18	87508-415-670	MARK, RADIATOR CAUTION	1		
		19	90315-504-000	NUT, SPEED, 3MM	4		
		20	94050-06080	NUT, FLANGE, 6MM	1		
		21	94201-30400	PIN, SPLIT, 3.0X40	1		

F-17

Side cover - Battery

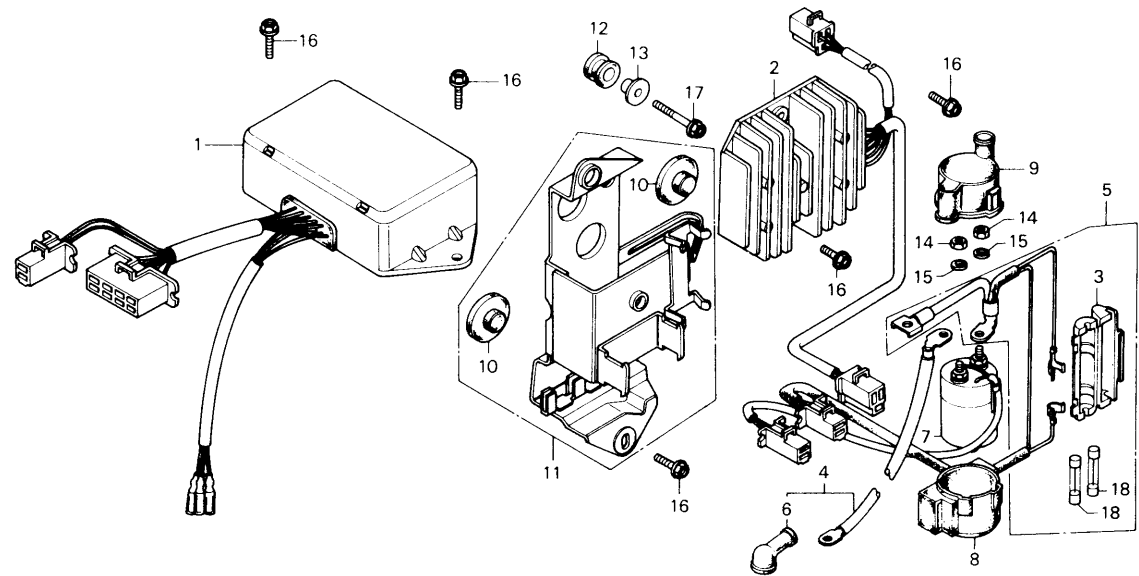


B415-39

Service item	F.R.T.	Ref. No.	Part No.	Description	Reqd. No. CX500	Serial No.	Area code
		22	95700-06G12-00	BOLT, FLANGE, 6X12	3		
		23	95700-06G20-08	BOLT, FLANGE, 6X20	2		

F-18

Electric plate • C.D.I. unit

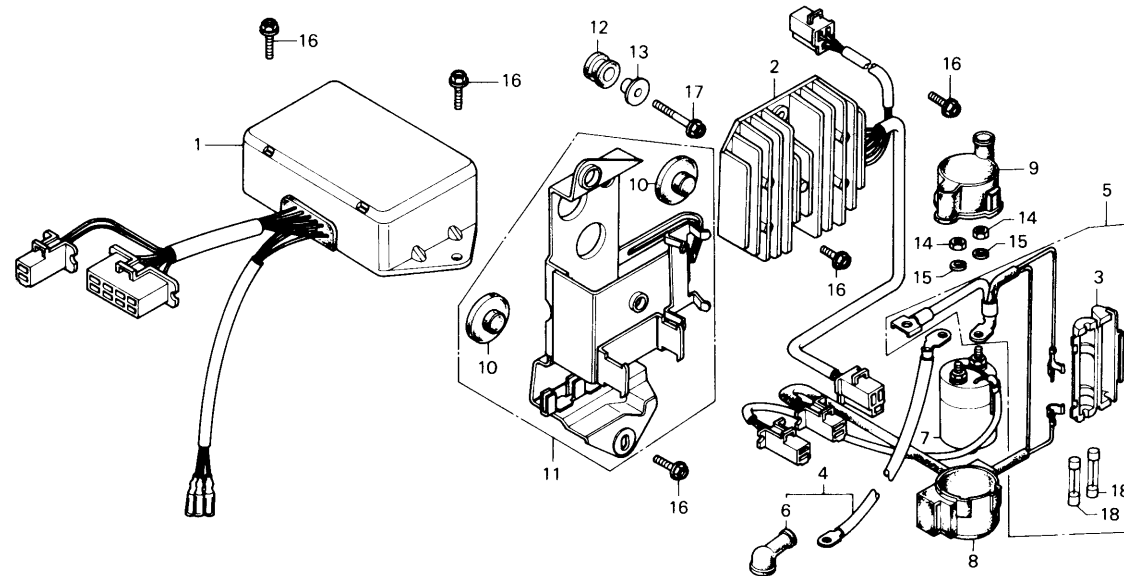


8415-40

Service item	F.R.T.	Ref. No.	Part No.	Description	Reqd. No. CX500	Serial No.	Area code
C.D.I. UNIT	C.2	1	30400-415-005	C.D.I. UNIT (HITACHI)	1		
.RECTIFIER ASSY., REGULATE		2	31600-415-008	RECTIFIER ASSY., REGULATE	1		
.CABLE ASSY., STARTER		3	32125-415-000	CASE, FUSE (20A)	1		
.CABLE, BATTERY		4	32310-415-000	CABLE ASSY., STARTER	1		
.SWITCH ASSY., STARTER MAGNETIC		5	32401-415-000	CABLE, BATTERY	1		
.PLATE, ELECTRIC		6	32411-253-000	COVER, STARTING MOTOR TERMINAL	1		
		7	35850-415-007	SWITCH ASSY., STARTER MAGNETIC (HONDA LOCK)	1		
		8	35856-413-000	RUBBER, MAGNETIC SHOCK	1		
		9	35857-415-000	COVER, MAGNETIC SWITCH	1		
		10	50327-300-010	RUBBER B, BATTERY	2		
		11	50340-415-000	PLATE, ELECTRIC	1		
		12	61103-357-000	RUBBER, FR. FENDER MOUNTING	1		

F-18

Electric plate • C.D.I. unit

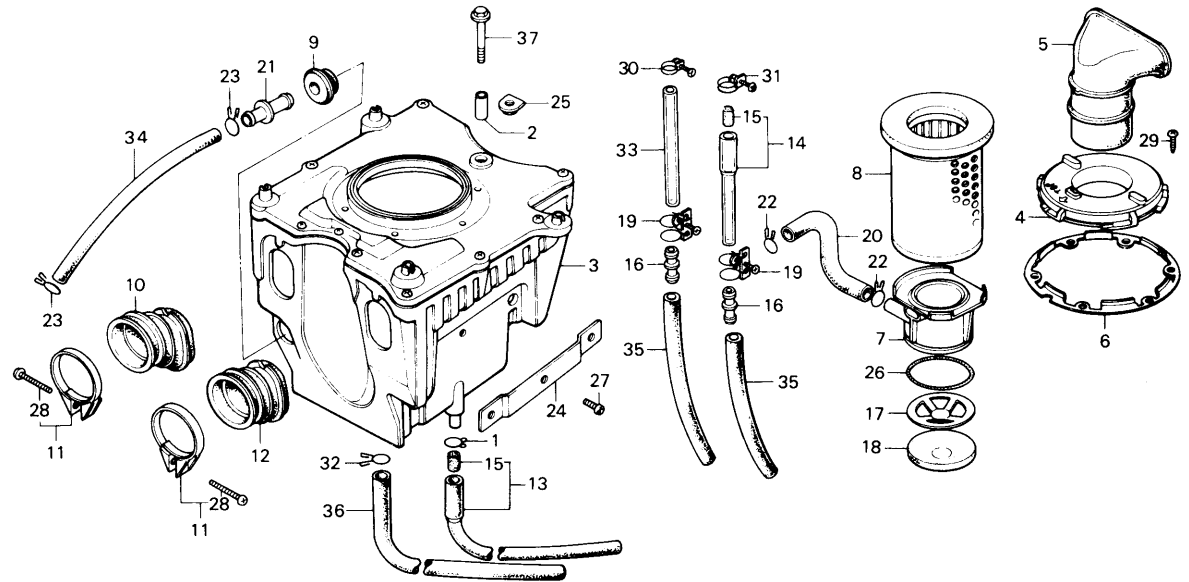


B415-40

Service item	F.R.T.	Ref. No.	Part No.	Description	Reqd. No. CX500	Serial No.	Area code
		13	61104-357-000	COLLAR, FR. FENDER	1		
		14	94002-06080	NUT, HEX., 6MM	2		
		15	94111-06800	WASHER, SPRING, 6MM	2		
		16	95700-06014-08	BCLT, FLANGE, 6X14	5		
		17	95700-06025-00	BOLT, FLANGE, 6X25	1		
		18	98200-22000	FUSE B (20A)	2		

F-19

Air cleaner

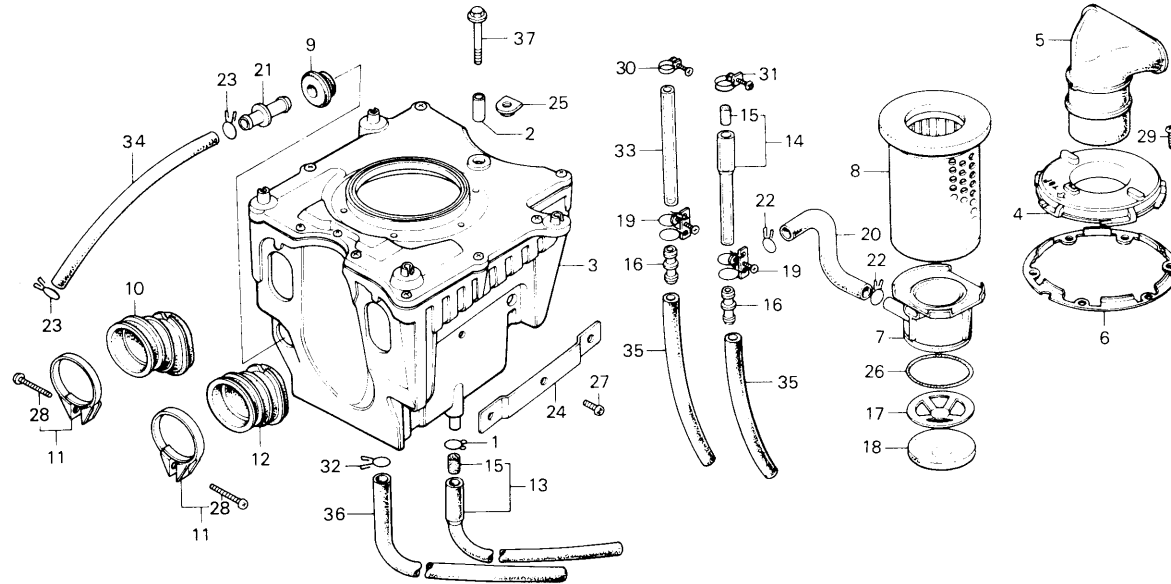


B415-65

Service item	F.R.T.	Ref. No.	Part No.	Description	Reqd. No. CX500	Serial No.	Area code
COLLAR, AIR CLEANER BRACKET	1.5	1	15772-292-010	CLIP, BREATHER TUBE	1		DK,DM,E,ED,F,G2,G,IT,SA,U
ELEMENT, AIR CLEANER	0.1	2	17202-415-000	COLLAR, AIR CLEANER BRACKET	1		
INC. RELATIVE PART		3	17205-415-000	CASE COMP., AIR CLEANER	1		
ELEMENT, SEPARATOR		4	17212-415-000	CAP, AIR CLEANER ELEMENT	1		
		5	17213-415-000	TUBE, AIR CLEANER DUCT	1		
		6	17214-415-300	HOLDER, CAP	1		
		7	17217-415-000	HOLDER, ELEMENT	1		
		8	17220-415-003	ELEMENT, AIR CLEANER	1		
		9	17225-415-300	GROMMET, TUBE	1		
		10	17254-415-300	TUBE, R. AIR CLEANER CONNECTING	1		
		11	17256-358-000	BAND B, CLEANER CONNECTING TUBE	2		

F-19

Air cleaner

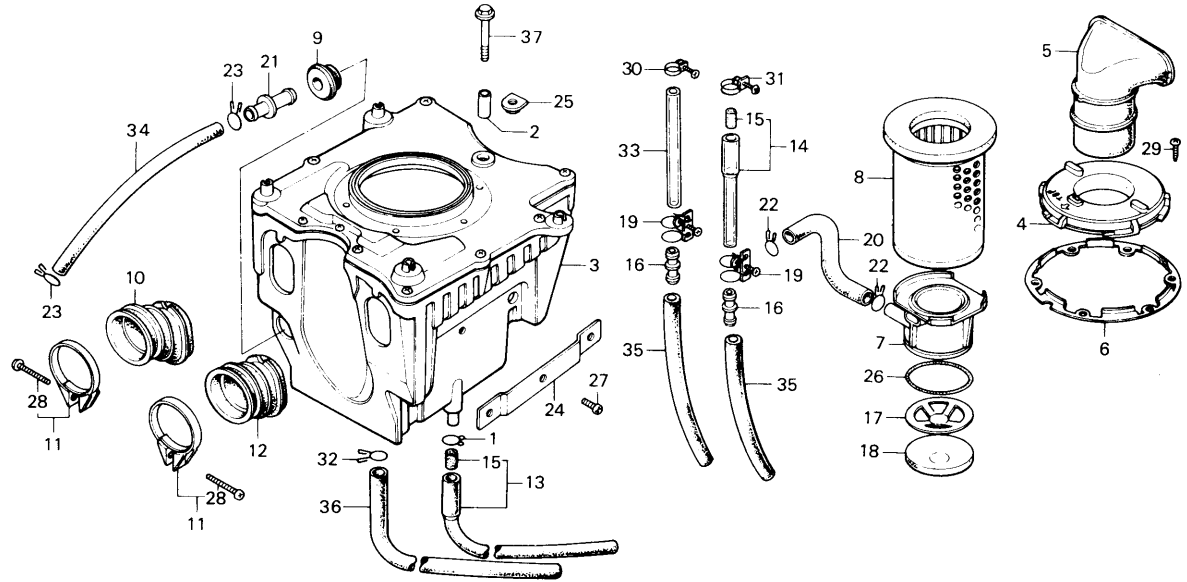


B415-65

Service item	F.R.T.	Ref. No.	Part No.	Description	Reqd. No. CX500	Serial No.	Area code
		12	17264-415-300	TUBE, L. AIR CLEANER CONNECTING	1		
		13	17335-415-000	TUBE ASSY., BREATHER	1		DK,DM,E,ED,F,G2,G,IT,SA,U
		14	17335-415-670	TUBE ASSY., BREATHER	1		CM
		15	17337-323-300	FILTER	1		
		16	17359-419-670	JOINT, BREATHER TUBE	2		CM
		17	17363-415-000	SEPARATOR A	1		
		18	17364-415-000	ELEMENT, SEPARATOR	1		
		19	17369-419-670	CLIP A13.5, TUBE	2		CM
		20	17400-415-000	TUBE, BREATHER	1		
		21	17402-415-000	JOINT, BREATHER TUBE	1		
		22	17724-1C2-700	CLIP, SUB TANK HOSE	2		
		23	18534-634-670	CLIP, AIR HOSE, 16	2		
		24	50326-415-000	PLATE, BATTERY BAND SUPPORT	1		
		25	80504-415-610	PATCH, RR. COWL	1		

F-19

Air cleaner

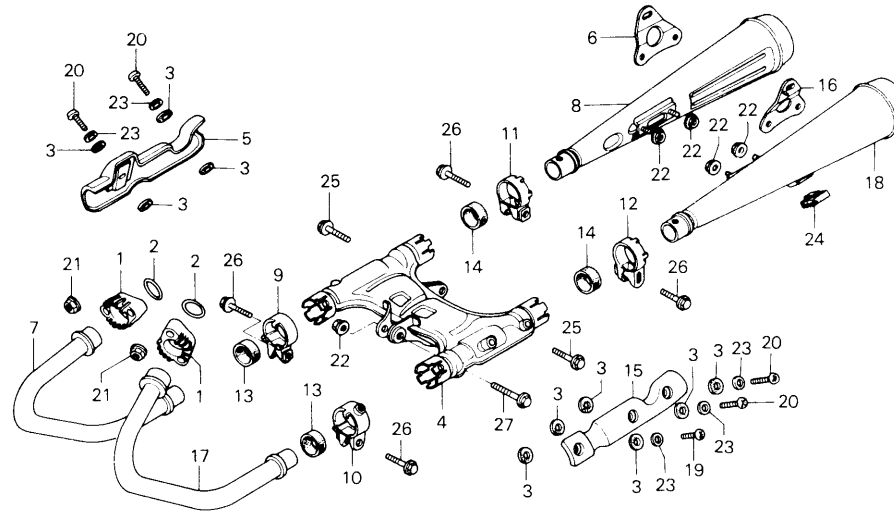


B415-65

Service item	F.R.T.	Ref. No.	Part No.	Description	Reqd. No. CX500	Serial No.	Area code
		26	91355-415-000	O-RING, 63.5X2.0	1		
		27	93500-04008-0A	SCREW, PAN, 4X8	1		
		28	93500-04020-0A	SCREW, PAN, 4X20	2		
		29	93901-34120	SCREW, TAPPING, 4X8	6		
		30	95002-01120	CLIP A12, TUBE	1		CM
		31	95002-01150	CLIP A15, TUBE	1		CM
		32	95002-02130	CLIP B12.5, TUBE	1		DK,DM,E,ED,F,G2,G,IT,SA,U
		33	95003-23012-31	TUBE, VINYL, 8X12X120	1		CM
		34	95005-12300-20	TUBE, 12X300	1		
		35	95005-80160-20	TUBE, 8X160	2		CM
		36	95005-80280-20	TUBE, 8X280	1		DK,DM,E,ED,F,G2,G,IT,SA,U
		37	95700-06035-00	BOLT, FLANGE, 6X35	1		

F-20

Exhaust muffler

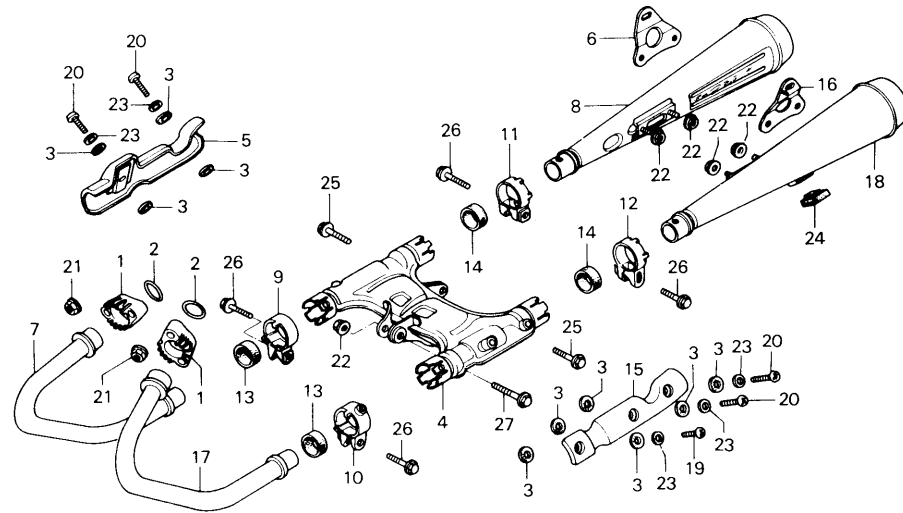


B415-42

Service item	F.R.T.	Ref. No.	Part No.	Description	Reqd. No. CX500	Serial No.	Area code
PRE CHAMBER COMP.	C.4	1	18231-415-000	JOINT, EX. PIPE	2		
PIPE, EX.	C.1	2	18291-286-000	GASKET, EX. PIPE	2		
MUFFLER COMP.		3	18292-415-000	PACKING, PROTECTOR	10		
		4	18310-415-C03	PRE CHAMBER COMP.	1		
		5	18315-415-000	PROTECTOR, R. CHAMBER	1		
		6	18318-415-000	STAY, R. MUFFLER	1		
		7	18320-415-C03	PIPE, R. EX.	1		CM,DK,DM,E,ED,F,G,IT,SA,U
			18320-415-780	PIPE, R. EX.	1		G2
		8	18330-415-003	MUFFLER COMP., R.	1		CM,DK,DM,E,F,G2,G,IT,SA,U
			18330-415-640	MUFFLER COMP., R.	1		ED
		9	18373-415-000	BAND, R. FR. MUFFLER	1		
		10	18374-415-000	BAND, L. FR. MUFFLER	1		
		11	18375-413-000	BAND, R. RR. MUFFLER	1		
		12	18376-413-000	BAND, L. RR. MUFFLER	1		
		13	18391-317-000	PACKING, MUFFLER	2		

F-20

Exhaust muffler

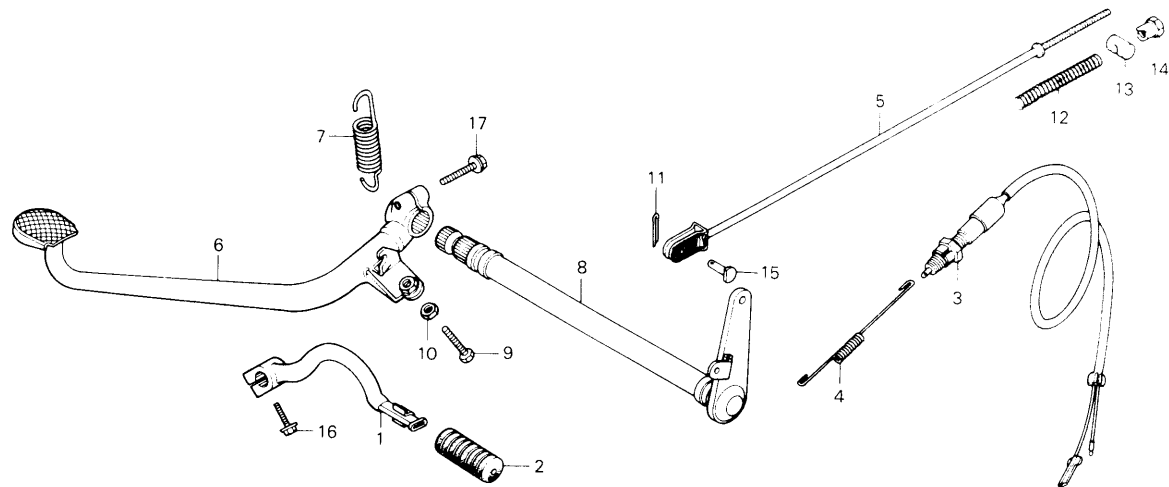


B415-42

Service item	F.R.T.	Ref. No.	Part No.	Description	Reqd. No. CX500	Serial No.	Area code
		14	18392-413-000	PACKING, RR. MUFFLER	2		
		15	18415-415-000	PROTECTOR, L. CHAMBER	1		
		16	18418-415-000	STAY, L. MUFFLER	1		
		17	18420-415-003	PIPE, L. EX.	1		CM,DK,DM,E,ED,F,G,IT,SA,U
			18420-415-780	PIPE, L. EX.	1		G2
		18	18430-415-003	MUFFLER COMP., L.	1		CM,DK,DM,E,F,G2,G,IT,SA,U
			18430-415-640	MUFFLER COMP., L.	1		ED
		19	93500-06010-08	SCREW, PAN, 6X10	1		
		20	93500-06014-08	SCREW, PAN, 6X14	4		
		21	94050-06000	NUT, FLANGE, 6MM	4		
		22	94050-08080	NUT, FLANGE, 8MM	5		
		23	94101-06000	WASHER, PLAIN, 6MM	5		
		24	95011-64000	RUBBER O, STAND STOPPER	1		
		25	95700-08016-08	BOLT, FLANGE, 8X16	2		
		26	95700-08035-00	BOLT, FLANGE, 8X35	4		
		27	95700-08040-08	BOLT, FLANGE, 8X40	1		

F-21

Breake pedal • Change pedal

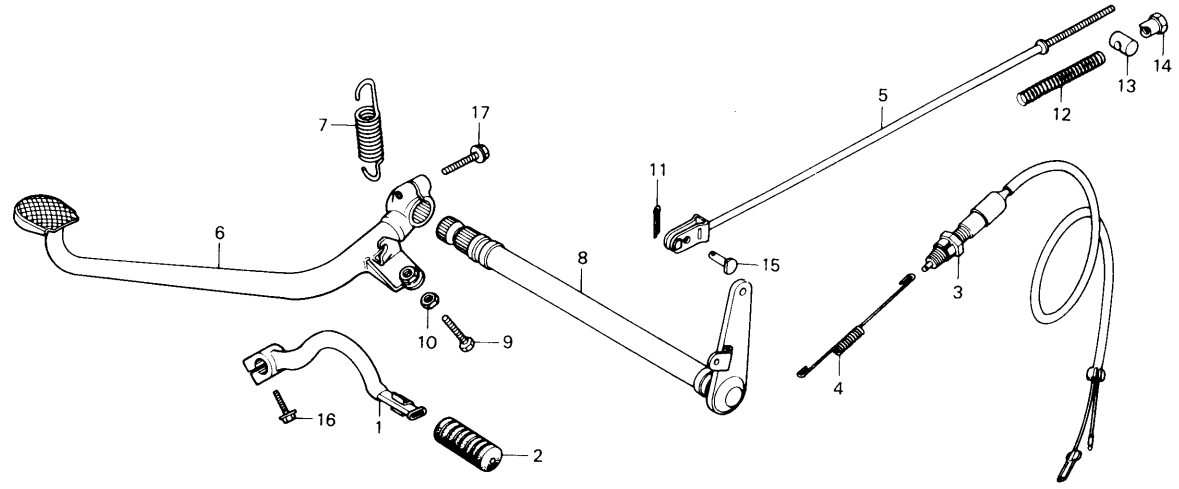


B415-43

Service item	F.R.T.	Ref. No.	Part No.	Description	Reqd. No. CX500	Serial No.	Area code
PEDAL, GEAR CHANGE	C.1	1	24700-415-000	PEDAL, GEAR CHANGE	1		
•SPRING, STOP SWITCH		2	24781-419-000	RUBBER, GEAR CHANGE	1		
•SPRING, BRAKE PEDAL							
SWITCH ASSY., RR. STOP	C.2	3	35350-415-000	SWITCH ASSY., RR. STOP	1		
ROD, RR. BRAKE	C.5						
•PEDAL COMP, RR. BRAKE		4	35357-415-000	SPRING, STOP SWITCH	1		
•SHAFT COMP., RR. BRAKE PIVOT		5	43451-415-000	ROD, RR. BRAKE	1		
		6	46500-415-000	PEDAL COMP, RR. BRAKE	1		
		7	46514-028-000	SPRING, BRAKE PEDAL	1		
		8	46515-415-000	SHAFT COMP., RR. BRAKE PIVOT	1		
		9	92035-06035-OH	BOLT, HEX., 6X35	1		
		10	94001-06000	NUT, HEX., 6MM	1		
		11	94201-16120	PIN, SPLIT, 1.6X12	1		
		12	95014-73100	SPRING A, BRAKE ROD	1		
		13	95015-32001	JOINT B, BRAKE ARM	1		
		14	95015-42000	NUT B, BRAKE ROD ADJUST	1		

F-21

Breake pedal · Change pedal

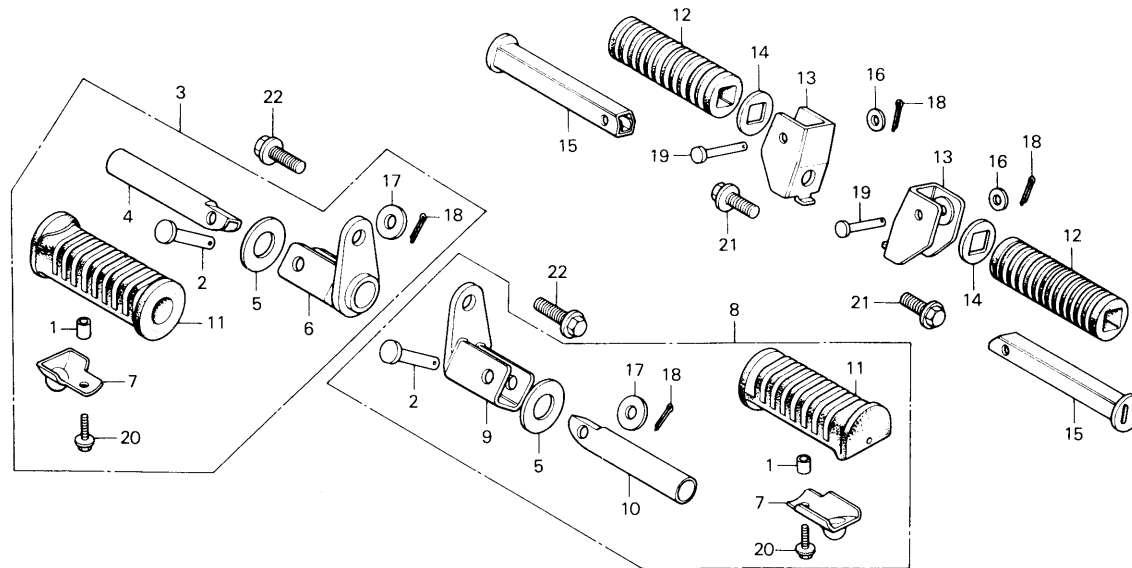


B415-43

Service item	F.R.T.	Ref. No.	Part No.	Description	Reqd. No. CX500	Serial No.	Area code
		15	95015-520C0	PIN B, BRAKE ROD JOINT	1		
		16	95700-C6G20-00	BOLT, FLANGE, 6X20	1		
		17	95700-08028-00	BOLT, FLANGE, 8X28	1		

F-22

Step

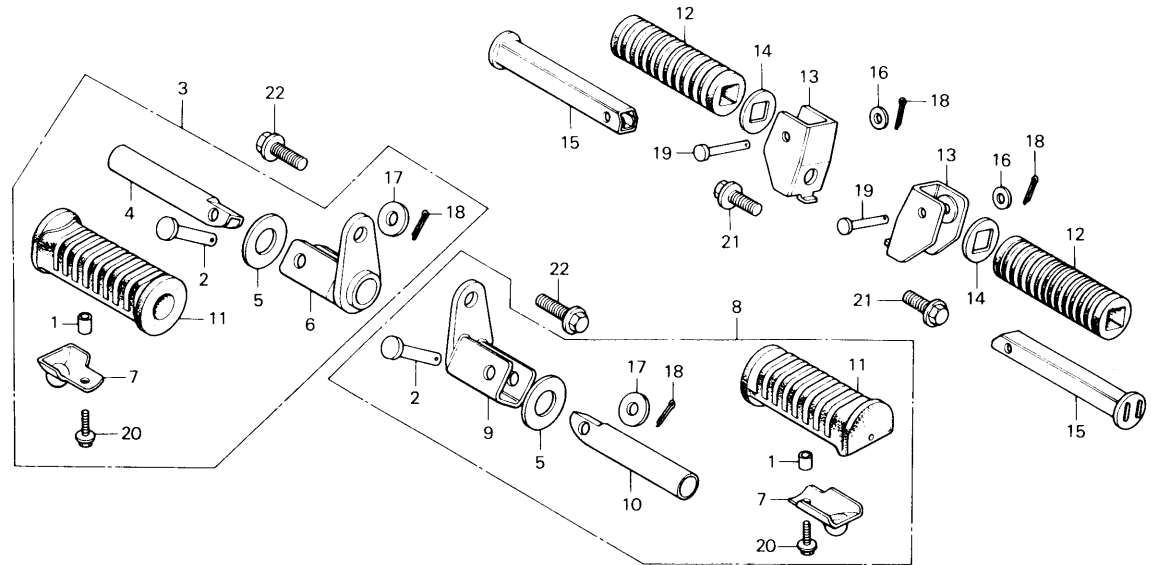


B415-44

Service item	F.R.T.	Ref. No.	Part No.	Description	Reqd. No. CX500	Serial No.	Area code
ARM COMP., STEP INC. RELATIVE PART BAR, PILLION STEP INC. RELATIVE PART	0.1	1	37243-323-000	COLLAR, METER SET	2		
		2	50603-C33-000	PIN, STEP BAR JOINT	2		
		3	50610-415-000	STEP ASSY., R.	1		
		4	50612-413-000	BAR, R. STEP	1		
		5	50614-413-000	WASHER, MAIN STEP	2		
		6	50615-415-000	ARM COMP., R. STEP	1		
		7	50619-413-000	STOPPER, STEP RUBBER	2		
		8	50620-415-000	STEP ASSY., L.	1		
		9	50625-415-000	ARM COMP., L. STEP	1		
		10	50643-413-000	BAR, L. STEP	1		
		11	50661-413-000	RUBBER, STEP	2		
		12	50710-377-000	RUBBER, PILLION STEP	2		

F-22

Step

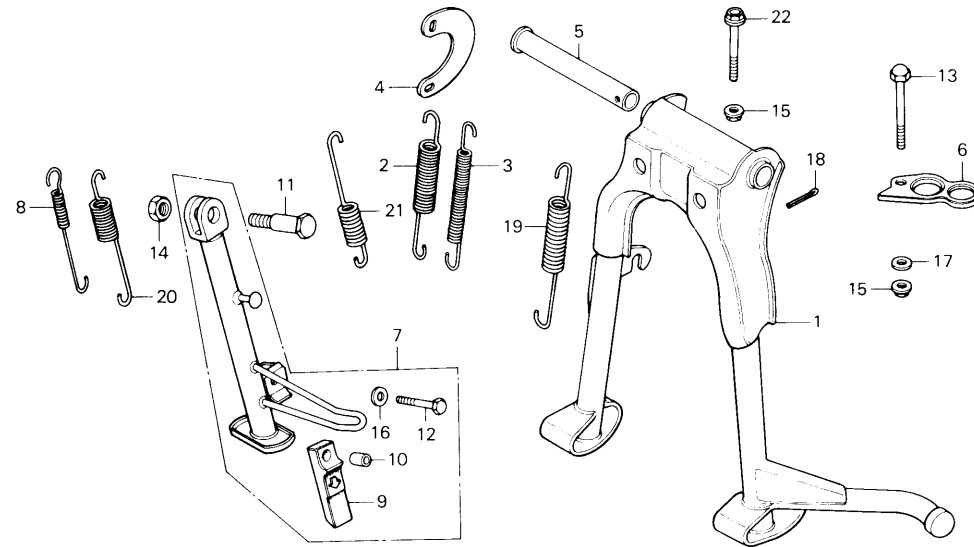


B415-44

Service item	F.R.T.	Ref. No.	Part No.	Description	Reqd. No. CX500	Serial No.	Area code
		13	50711-415-000	BRACKET, PILLION STEP	2		
		14	50712-413-C00	WASHER, PILLION STEP	2		
		15	50715-413-000	BAR, PILLION STEP	2		
		16	94101-C6C00	WASHER, PLAIN, 6MM	2		
		17	94101-C8C00	WASHER, PLAIN, 8MM	2		
		18	94201-1615C	PIN, SPLIT, 1.6X15	4		
		19	95015-82C00	PIN B, PILLION STEP	2		
		20	95700-C6C18-08	BOLT, FLANGE, 6X18	2		
		21	95700-10C20-08	BOLT, FLANGE, 10X20	2		
		22	95800-10C25-00	BOLT, FLANGE, 10X25	2		

F-23

Stand

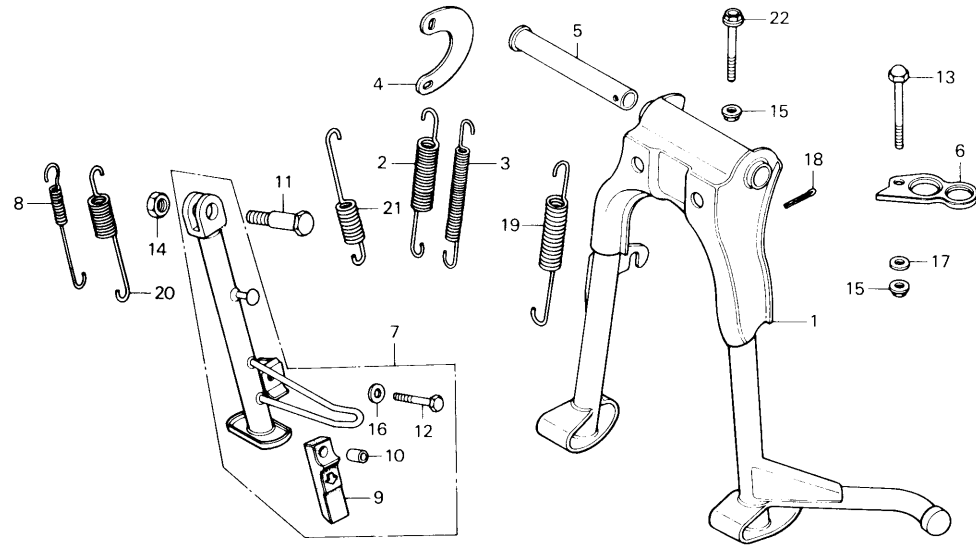


B415-45

Service item	F.R.T.	Ref. No.	Part No.	Description	Reqd. No. CX500	Serial No.	Area code
STAND COMP., MAIN	C.5	1	50500-415-000	STAND COMP., MAIN	1		
PIPE, MAIN STAND PIVOT		2	50510-413-610	SPRING, MAIN STAND	1		G2,G
SPRING, MAIN STAND	C.2	3	50520-413-610	SUB SPRING, MAIN STAND	1		G2,G
BAR ASSY., SIDE STAND		4	50523-415-610	PLATE, MAIN STAND SPRING	1		G2,G
SPRING A, SIDE STAND	C.1	5	50526-300-000	PIPE, MAIN STAND PIVOT	1		
		6	50527-415-000	CLAMPER, BREATHER TUBE	1		
		7	50540-415-670	BAR ASSY., SIDE STAND	1		
		8	50542-341-610	SUB SPRING, SIDE STAND	1		G2,G
		9	50548-356-700	RUBBER, STAND	1		
		10	50549-356-700	COLLAR, STAND RUBBER SETTING	1		
		11	90108-223-000	SCREW, SIDE STAND PIVOT	1		
		12	92000-06028	BOLT, HEX., 6X28	1		
		13	92500-C6040-0A	BOLT, CAP, 6X40	1		

F-23

Stand

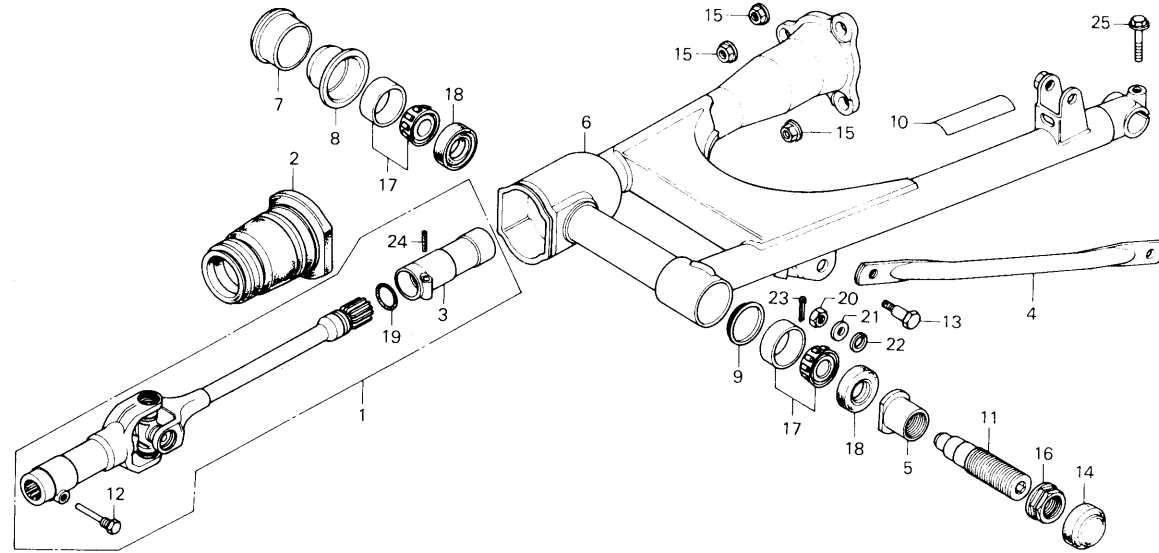


B415-45

Service item	F.R.T.	Ref. No.	Part No.	Description	Reqd. No. CX500	Serial No.	Area code
		14	94030-1G0CC	NUT, HEX., 10MM	1		
		15	94050-C608G	NUT, FLANGE, 6MM	2		
		16	94101-06000	WASHER, PLAIN, 6MM	1		
		17	94101-06800	WASHER, PLAIN, 6MM	1		
		18	94201-25250	PIN, SPLIT, 2.5X25	1		
		19	95014-71902	SPRING J, MAIN STAND	1		CM,DK,DM,E,ED,F,IT,SA,U
		20	95014-721C2	SPRING A, SIDE STAND	1		G2,G
		21	95014-724C2	SPRING D, SIDE STAND	1		CM,DK,DM,E,ED,F,IT,SA,U
		22	95700-06040-08	BOLT, FLANGE, 6X40	1		

F-24

Rear fork

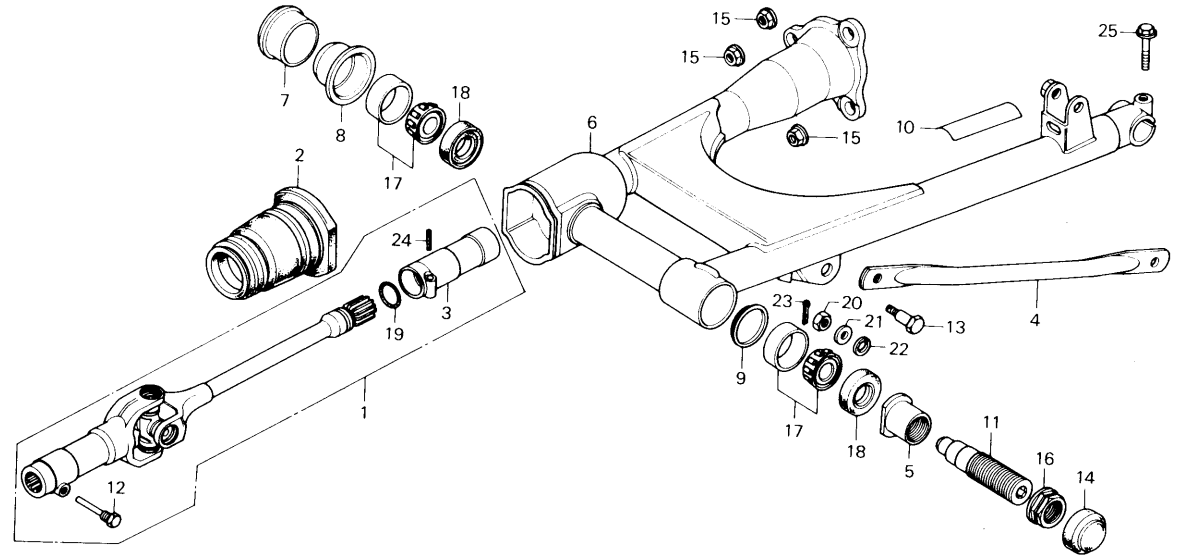


B415-46

Service item	F.R.T.	Ref. No.	Part No.	Description	Reqd. No. CX500	Serial No.	Area code
SHAFT COMP., PROPELLER	1.0	1	40200-415-000	SHAFT COMP., PROPELLER	1		
BOGT, JOINT		2	40207-415-000	BOGT, JOINT	1		
JOINT, PROPELLER SHAFT		3	40210-415-000	JOINT, PROPELLER SHAFT	1		
NUT, FORK PIVOT							
ARM, RR. BRAKE STOPPER	0.2	4	43431-415-000	ARM, RR. BRAKE STOPPER	1		
FORK COMP., RR.	1.2						
BEARING, 30202		5	50197-371-300	NUT, FORK PIVOT	1		
BOLT, PIVOT	0.1						
OIL SEAL, 20X35X8	1.1						
		6	52100-415-000ZA	FORK COMP., RR. *NH-1*	1		
		7	52115-415-000	CAP, RR. FORK PIVOT	1		
		8	52117-415-000	HOLDER, RR. FORK PIVOT BEARING	1		
		9	52118-415-000	PLATE, DUST SEAL	1		
		10	37504-028-670	MARK, MUFFLER CAUTION	1		CM
		11	90121-415-000	BOLT, PIVOT	1		
		12	90127-415-000	BOLT, SPECIAL, 8MM	1		

F-24

Rear fork

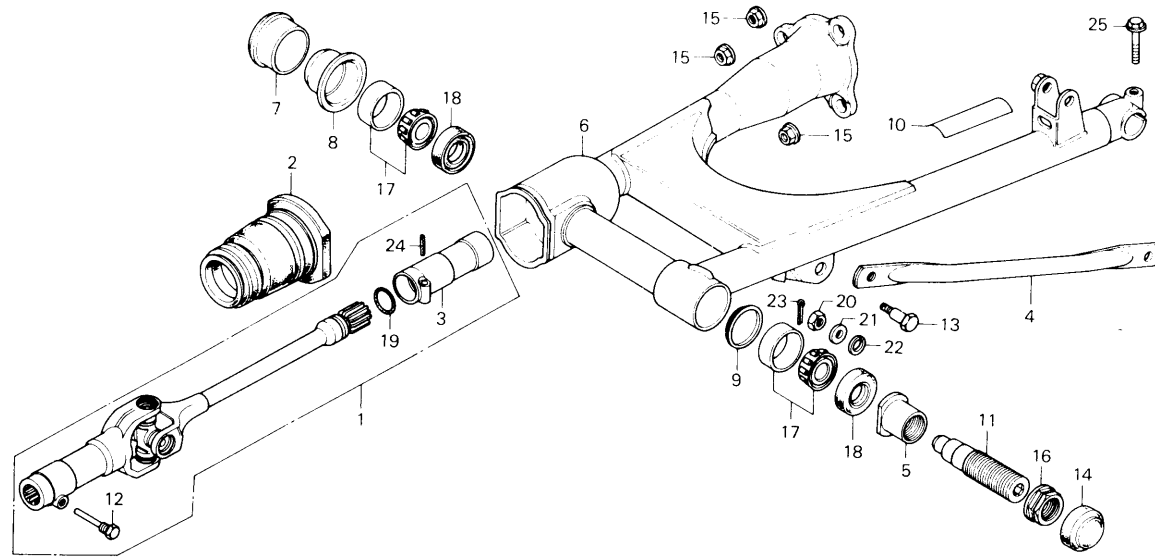


B415-46

Service item	F.R.T.	Ref. No.	Part No.	Description	Reqd. No. CX500	Serial No.	Area code
		13	90133-286-000	BOLT, RR. BRAKE STOPPER ARM	1		
		14	90303-431-670	CAP, LOCK NUT	1		
		15	90308-357-000	NUT, HEX., 10MM	3		
		16	90354-431-670	NUT, LOCK, 23MM	1		
		17	91066-415-003	BEARING, 30202 (TOYO)	2		
			91066-415-004	BEARING, 30202 (NACHI)	2		
			91066-415-005	BEARING, 30202 (KOYO)	2		
			91066-415-006	BEARING, 30202 (NIPPON SEIKO)	2		
		13	91266-415-003	OIL SEAL, 20X35X8	2		
			91266-415-004	OIL SEAL, 20X35X8	2		
		19	91359-415-300	O-RING, 22X1.7	1		
		20	94001-08000-05	NUT, HEX., 8MM	1		
		21	94101-08000	WASHER, PLAIN, 8MM	1		
		22	94111-10000	WASHER, SPRING, 10MM	1		
		23	94201-20180	PIN, SPLIT, 2.0X18	1		

F-24

Rear fork



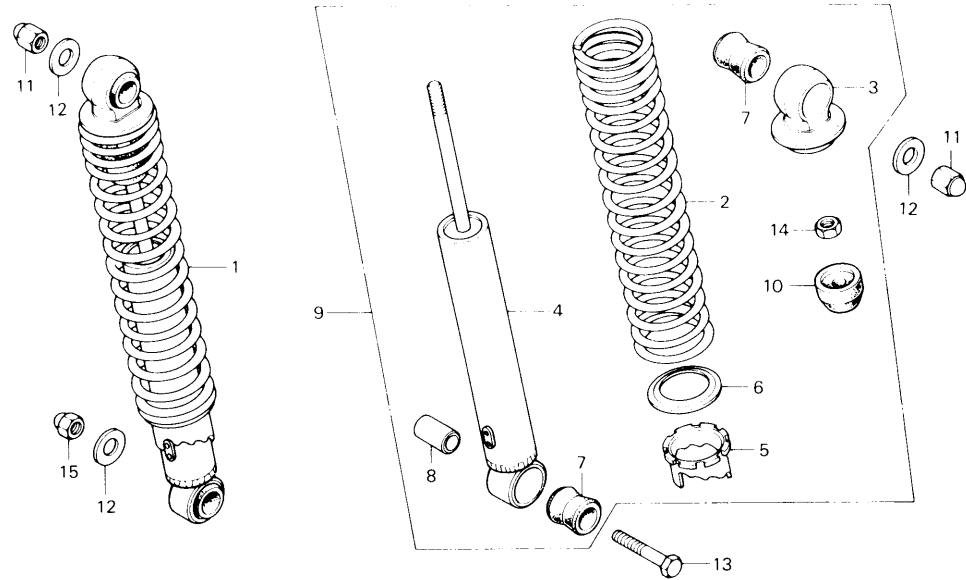
B415-46

Service item	F.R.T.	Ref. No.	Part No.	Description	Reqd. No. CX500	Serial No.	Area code
--------------	--------	----------	----------	-------------	-----------------	------------	-----------

		24	94305-4C222	PIN, SPRING, 4X22	1		
		25	95700-08032-00	BCLT, FLANGE, 8X32	1		

F-25

Rear cushion

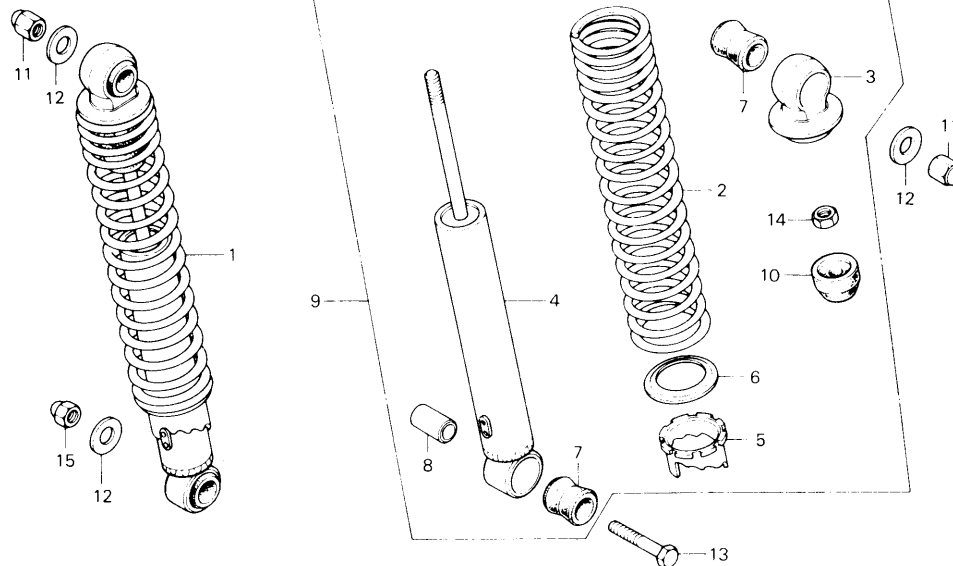


B415-47

Service item	F.R.T.	Ref. No.	Part No.	Description	Reqd. No. CX500	Serial No.	Area code
CUSHION ASSY., R. RR. SPRING, RR. CUSHION INC. RELATIVE PART (L. SIDE 0.4) CUSHION ASSY., L. RR.	C.1	1	52400-415-C03	CUSHION ASSY., R. RR. (SHCWA)	1		
	C.3	2	52401-415-C03	SPRING, RR. CUSHION (SHOWA)	2		
	C.2	3	52403-404-C03	JOINT COMP., UPPER	2		
		4	52410-415-C03	DAMPER COMP., RR. (SHOWA)	2		
		5	52422-404-C03	ADJUSTER, SPRING	2		
		6	52458-329-000	SEAT, RR. CUSHION SPRING UNDER	2		
		7	52484-292-000	RUBBER, JOINT	4		
		8	52486-415-003	COLLAR, RR. CUSHION (SHOWA)	1		
		9	52500-415-C03	CUSHION ASSY., L. RR. (SHCWA)	1		
		10	52517-404-003	RUBBER, STOPPER	2		
		11	90309-315-C00	NUT, RR. CUSHION UPPER	2		
		12	90521-292-C00	WASHER, 10.3MM	3		

F-25

Rear cushion

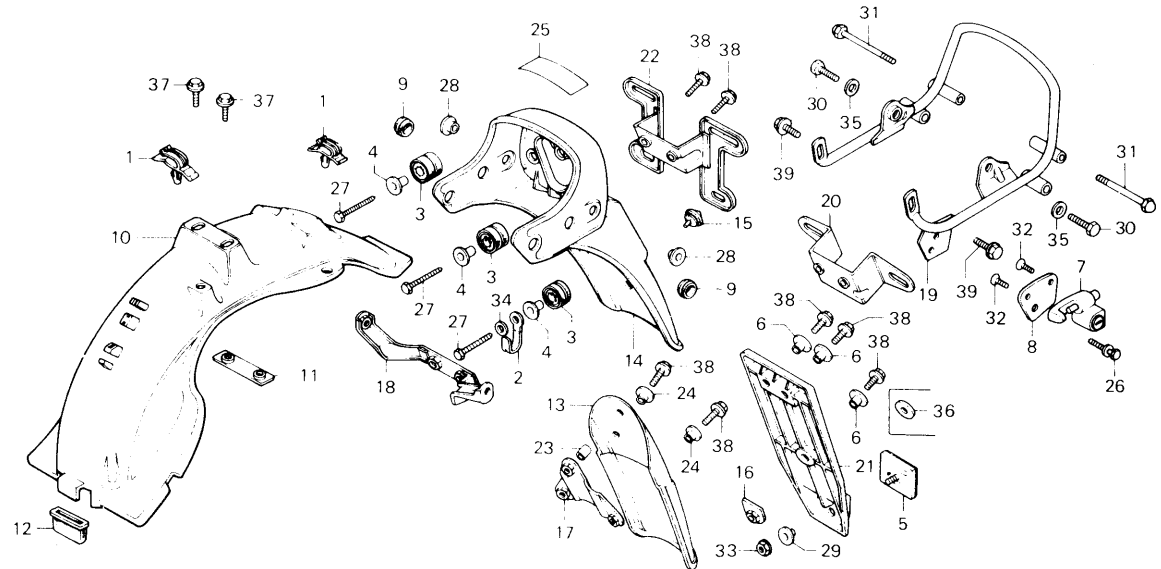


B415 47

Service item	F.R.T.	Ref. No.	Part No.	Description	Reqd. No. CX500	Serial No.	Area code
		13	93000-10040-08	BOLT, HEX., 10X40	1		
		14	94002-10000-05	NUT, HEX., 10MM	2		
		15	94021-10020-05	NUT, CAP, 10MM	1		

F-26

Rear fender

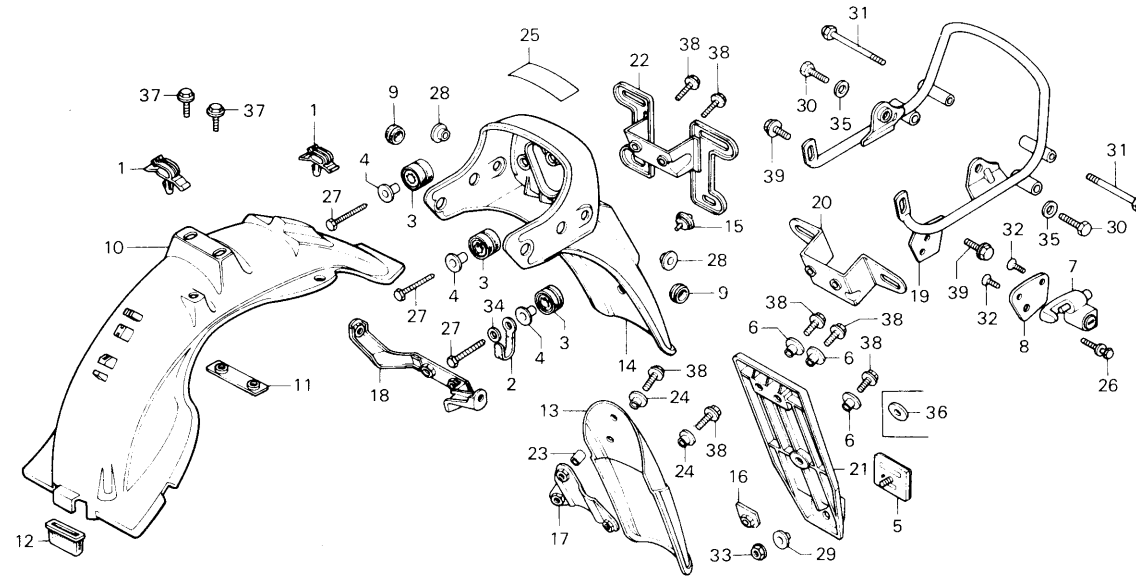


B415-48

Service item	F.R.T.	Ref. No.	Part No.	Description	Reqd. No. CX500	Serial No.	Area code
HOLDER ASSY., HELMET	C.4	1	32161-393-003	CLIP, WIRE HARNESS	2		
FENDER, RR.		2	32162-415-000	CLAMPER, CORD	1		
STAY, RR. COWL		3	33731-415-000	RUBBER, TAILLIGHT MOUNT	3		
BUMPER, RR.							
MUDGUARD, RR. FENDER	G.1	4	33732-415-000	COLLAR, TAILLIGHT SETTING	3		
BRACKET, NUMBER PLATE							
COWL, RR.	G.5	5	33741-415-601	REFLECTOR, RR. REFLEX (STANLEY)	1		E, ED, F, G2, G, IT
		6	40514-310-000	COLLAR, CHAIN CASE	3		E, F, G2, G, IT
		7	50710-371-007	HOLDER ASSY., HELMET (HONDA LOCK)	2 1		ED
		9	50715-415-000	PLATE, HELMET HOLDER	1		
		9	66219-634-000	GROMMET B, METER CASE	2		
		10	80100-415-000	FENDER, RR.	1		
		11	80110-415-000	PLATE, RR. FENDER	1		
		12	80115-415-000	RUBBER, FENDER CUSHION	1		
		13	80121-415-640	MUDGUARD, RR. FENDER	1		ED

F-26

Rear fender

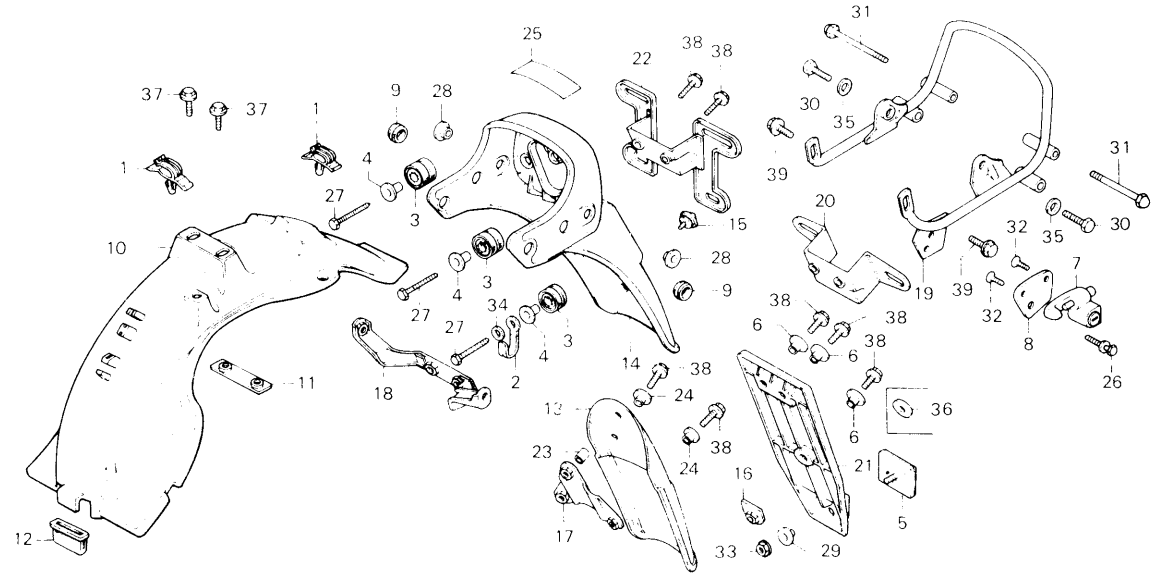


B415-48

Service item	F.R.T.	Ref. No.	Part No.	Description	Reqd. No. CX500	Serial No.	Area code
		14	80500-415-000ZA	CCWL, RR. *R-33*	1		CM,DK,DM,E,F,G2,G,IT,SA,U
			80500-415-000ZB	CCWL, RR. *PB-3C-C*	1		CM,DK,DM,E,F,G2,G,IT,SA,U
			80500-415-000ZC	CCWL, RR. *R-9C-S*	1		CM,DK,DM,E,F,G2,G,IT,SA,U
			80500-415-000ZD	CCWL, RR. *NH-1*	1		CM,DK,DM,E,F,G2,G,IT,SA,U
			80500-415-000ZE	CCWL, RR. *R-8C-S*	1		CM,DK,DM,E,F,G2,G,IT,SA,U
			80500-415-640ZA	CCWL, RR. *R-33*	1		ED
			80500-415-640ZB	CCWL, RR. *PB-3C-C*	1		ED
			80500-415-640ZC	CCWL, RR. *R-9C-S*	1		ED
			80500-415-640ZD	CCWL, RR. *NH-1*	1		ED
			80500-415-640ZE	CCWL, RR. *R-8C-S*	1		ED
		15	80501-415-000	PLUG, RR. CCWL	1		CM,DK,DM,SA,U
		16	80504-415-610	PATCH, RR. CCWL	1		E,F,G2,G,IT
		17	80504-415-640	PATCH, RR. CCWL	1		ED
		13	80510-415-000	STAY, RR. CCWL	1		
		19	84101-415-000	BUMPER, RR.	1		
		20	84701-415-000	BRACKET, NUMBER PLATE	1		DK,DM,SA,U
		21	94701-415-610	BRACKET, NUMBER PLATE	1		E,ED,F,G2,G,IT

F-26

Rear fender

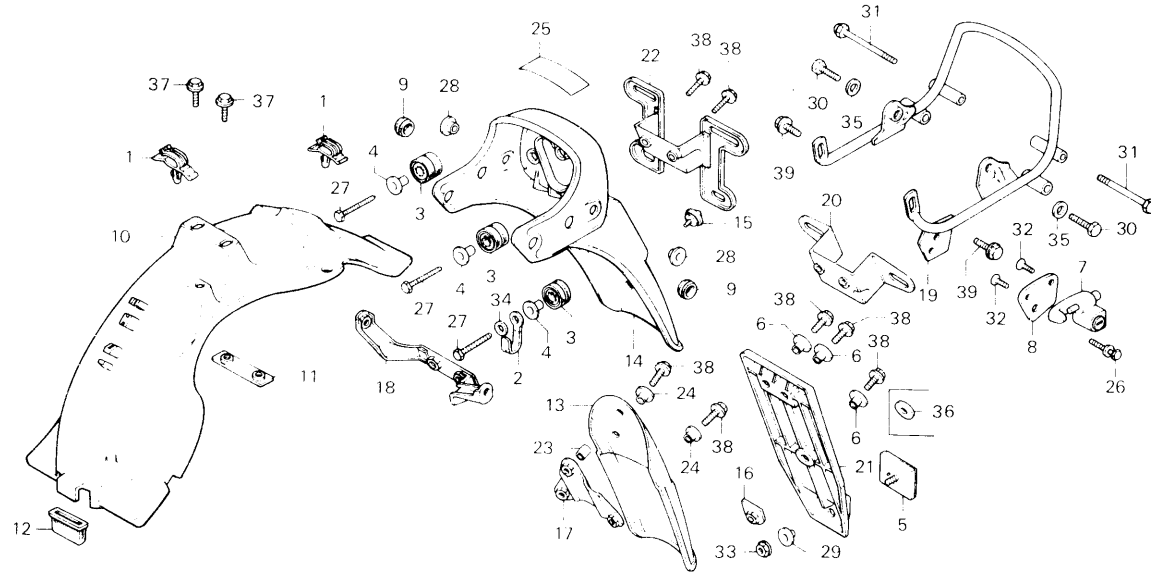


8415 48

Service item	F.R.T.	Ref No.	Part No.	Description	Reqd. No. CX500	Serial No	Area code
		22	84701-415-670	BRACKET, NUMBER PLATE	1		CM
		23	84705-310-000	COLLAR, RR. FENDER	1		ED
		24	84706-415-000	COLLAR, NUMBER PLATE BRACKET	2		ED
		25	87505-415-611	MARK, TIRE CAUTION	1		DK,DM,E,ED,F,G2,G,IT,U
			87505-415-661	MARK, TIRE CAUTION	1		SA
			87505-415-671	MARK, TIRE CAUTION	1		CM
		26	90105-413-000	BOLT, SPECIAL, 8X16	1		
		27	90115-415-000	BCLT, TAILLIGHT	3		
		28	90512-300-000	WASHER, 6X20	2		
		29	90554-240-000	WASHER B, CHAIN CASE SETTING	1		E,ED,F,G2,G,IT
		30	92000-08020-08	BOLT, HEX., 8X20	2		
		31	92500-06070-08	BCLT, CAP, 6X70	2		
		32	93600-C6008	SCREW, FLAT, 6X8	2		
		33	94050-C6000	NUT, FLANGE, 6MM	1		E,ED,F,G2,G,IT
		34	94101-C6000	WASHER, PLAIN, 6MM	1		
		35	94101-C8200	WASHER, PLAIN, 8MM	2		

F-26

Rear fender

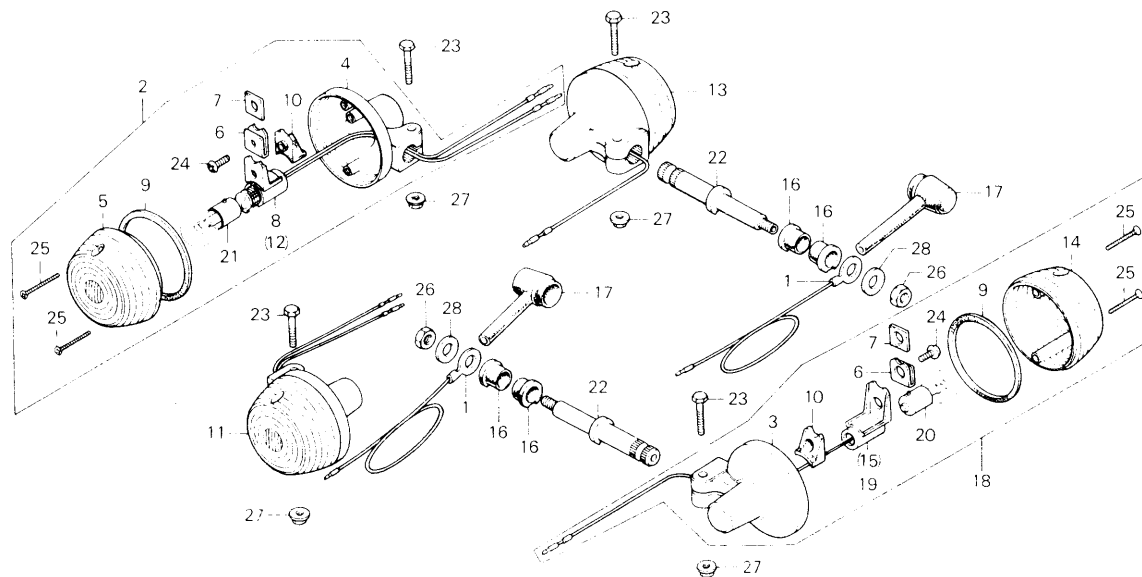


121 F

Service item	F.R.T.	Ref. No.	Part No.	Description	Reqd No CX500	Serial No	Area code
		36	94103-C6800	WASHER, PLAIN, 6MM	1		ED
		37	95700-C6016-08	BCLT, FLANGE, 6X16	2		
		39	95700-C6013-00	BCLT, FLANGE, 6X18	2		CM,DK,DM,SA,U
					3		E,F,G2,G,IT
					5		ED
		39	95700-C8016-00	BCLT, FLANGE, 8X16	2		

F-27

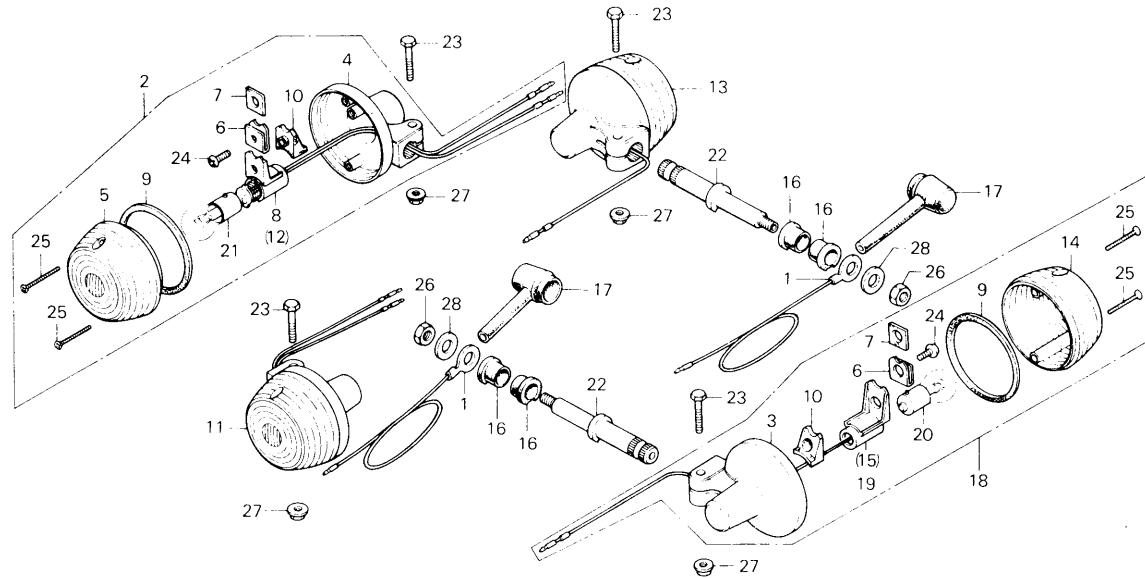
Winker



Service Item	F.R.T.	Ref No.	Part No.	Description	Reqd. No. CX500	Serial No.	Area code
WINKER ASSY. (ALL D.I. FOR EACH.) (EXC. RELATED PARTS BELOW)	C.2	1	32111-415-000	SUB CORD A	2		
		2	33400-413-003	WINKER ASSY., R. FR.	1		DK,DM,SA,U
BULB, WINKER (WHEN SERVICING COMP. UNIT, F.R.T. IS D.2.)	C.1		33400-413-602	WINKER ASSY., R. FR.	1		E,ED,F,G2,G,IT
			33400-413-671	WINKER ASSY., R. FR.	1		CM
		3	33401-292-003	BASE, R. FR. WINKER (STANLEY)	2		
		4	33401-341-701	BASE, R. FR. WINKER	2		CM
			33401-292-003	BASE, R. FR. WINKER (STANLEY)	2		DK,DM,E,ED,F,G2,G,IT,SA,U
		5	33402-268-671	LENS, FR. WINKER	2		
		6	33403-413-003	PLATE, EARTH	4		CM,DK,DM,SA,U
		7	33404-413-003	RUBBER, CUSHION	4		
		8	33405-413-003	SOCKET COMP., R. WINKER	1		DK,DM,SA,U

F-27

Winker



B415-49

Service item

F.R.T.

Ref. No.

Part No.

Description

Reqd. No. CX500

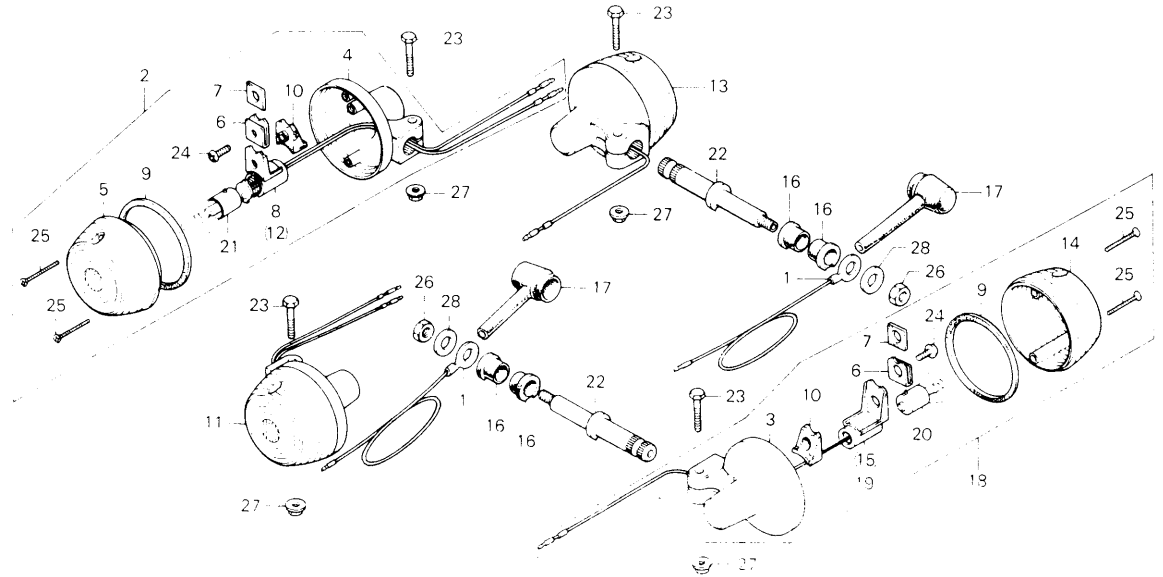
Serial No.

Area code

		33405-413-601	SOCKET COMP., R. WINKER	1		E,ED,F,G2,G,IT
		33405-413-671	SOCKET COMP., R. WINKER	1		CM
	9	33406-268-671	PACKING, WINKER LENS	4		
	10	33408-413-003	RUBBER, WINKER BASE CUSHION	4		
	11	33450-413-003	WINKER ASSY., L. FR.	1		DK,DM,SA,U
		33450-413-602	WINKER ASSY., L. FR.	1		E,ED,F,G2,G,IT
		33450-413-671	WINKER ASSY., L. FR.	1		CM
	12	33455-413-003	SOCKET COMP., L. WINKER	1		DK,DM,SA,U
		33455-413-601	SOCKET COMP., L. WINKER	1		E,ED,F,G2,G,IT
		33455-413-671	SOCKET COMP., L. WINKER	1		CM

F-27

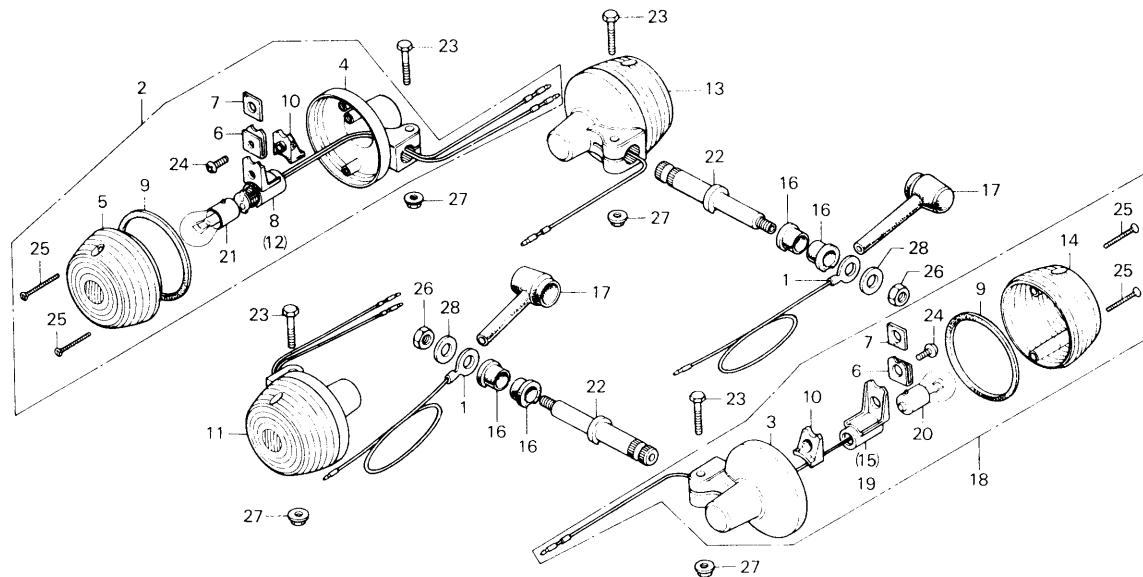
Winker



Service Item	F.R.T.	Ref No	Part No	Description	Reqd No CX500	Serial No	Area code
		13	33500-415-000	WINKER ASSY., R. RR. (12V 23W)	1		CM,DK,DM,SA,U
			33600-415-600	WINKER ASSY., R. RR. (12V 21W)	1		E,ED,F,G2,G,IT
		14	33602-323-631	LENS, RR. WINKER	2		E,ED,F,G2,G,IT
			33402-263-671	LENS, FR. WINKER	2		CM,DK,DM,SA,U
		15	33605-415-000	SOCKET COMP., R. WINKER	1		CM,DK,DM,SA,U
			33605-415-600	SOCKET COMP., R. WINKER	1		E,ED,F,G2,G,IT
		16	33606-371-000	RUBBER, RR. WINKER MOUNT	4		
		17	33625-415-000	COVER, EARTH TERMINAL	2		
		18	33650-415-000	WINKER ASSY., L. RR. (12V 23W)	1		CM,DK,DM,SA,U
			33650-415-600	WINKER ASSY., L. RR. (12V 21W)	1		E,ED,F,G2,G,IT
		19	33655-415-000	SOCKET COMP., L. WINKER	1		CM,DK,DM,SA,U

F-27

Winker

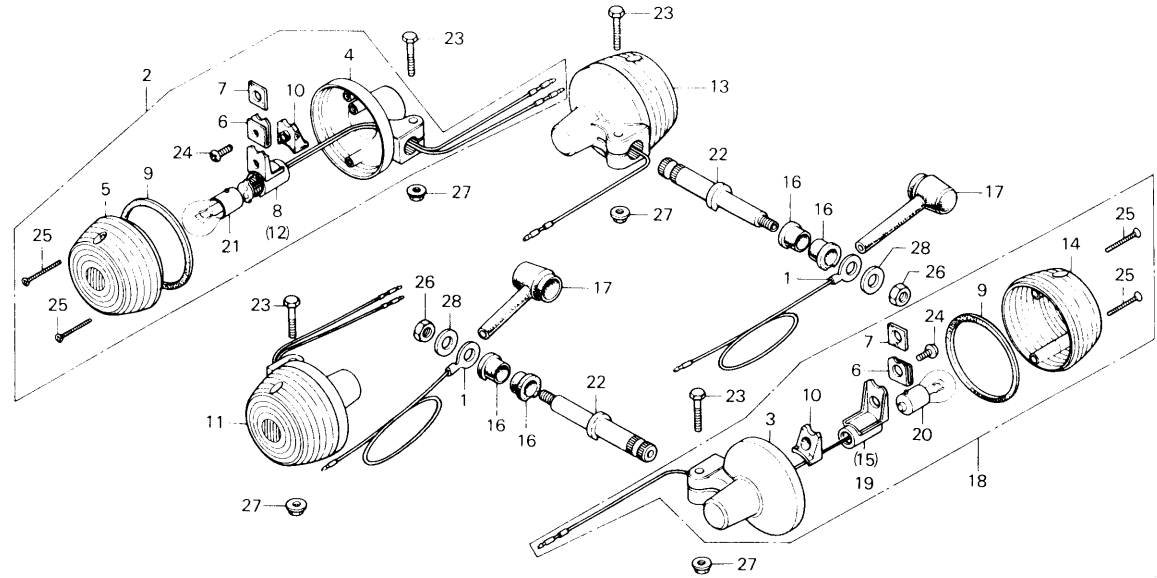


B415-49

Service item	F.R.T.	Ref. No.	Part No.	Description	Reqd. No. CX500	Serial No.	Area code
			33655-415-600	SOCKET COMP., L. WINKER	1		E,ED,F,G2,G,IT
		2C	34905-268-671	BULB, WINKER (12V 23W)	2		CM,DK,DM,SA,U
			34908-634-611	BULB (12V21W) (LOCAL PROCUREMENT)	2		E,ED,F,G2,G,IT
		21	34906-313-671	BULB, TAIL & STOP LIGHT (12V 23/8W)	2		CM
			34905-268-671	BULB, WINKER (12V 23W)	2		DK,DM,SA,U
			34908-634-611	BULB (12V21W) (LOCAL PROCUREMENT)	2		E,ED,F,G2,G,IT
			90155-413-C03	BOLT, RR. WINKER	2		CM,DK,DM,SA,U
			90155-413-611	BOLT, RR. WINKER	2		E,ED,F,G2,G,IT
			93000-06G25-08	BOLT, HEX., 6X25	4		
			93500-05C08-0H	SCREW, PAN, 5X8	4		
			93700-03G25-08	SCREW, DVAL, 3X25	8		
			94001-10CGC-0S	NUT, HEX., 10MM	2		
			94050-060CC	NUT, FLANGE, 6MM	4		

F-27

Winker

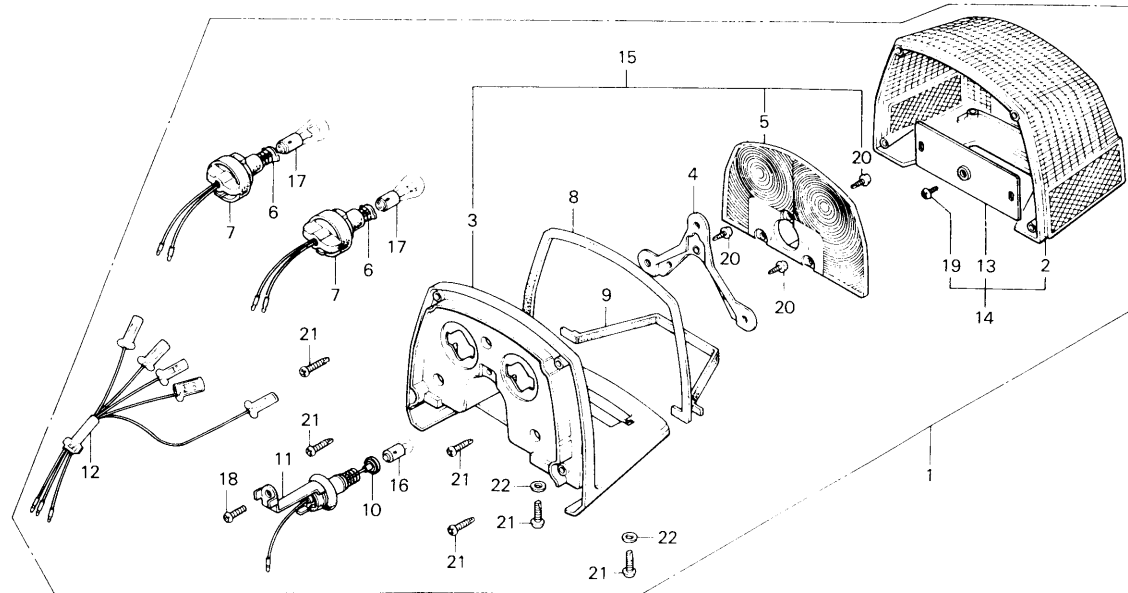


8415-49

Service item	F.R.T.	Ref. No.	Part No.	Description	Reqd. No. CX500	Serial No.	Area code
		28	94101-10000	WASHER, PLAIN, 10MM	2		

F-28

Taillight

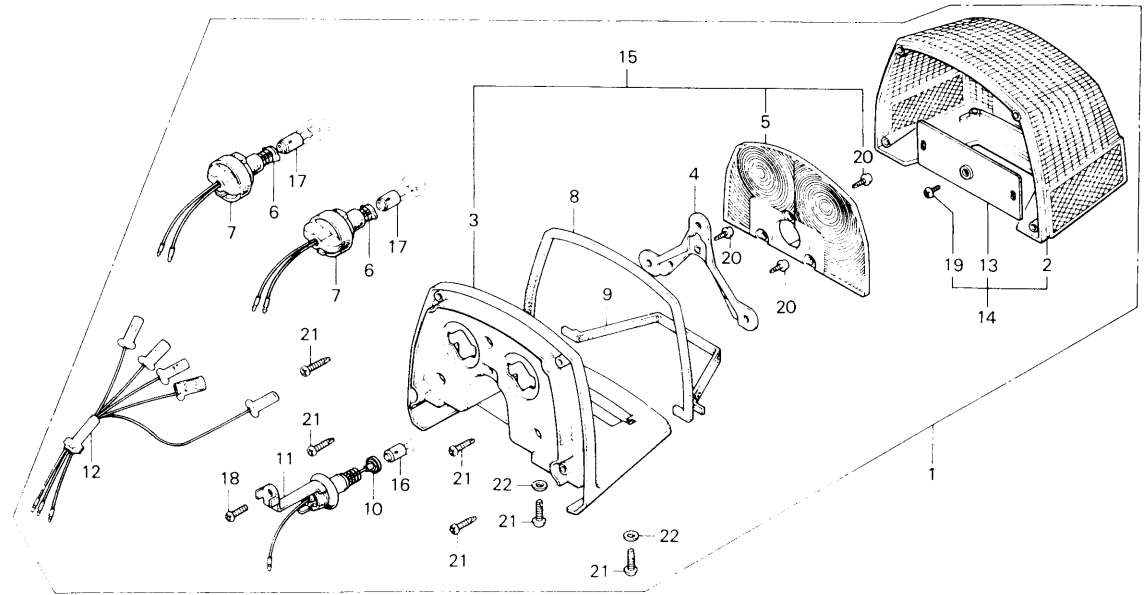


8415-68

Service item	F.R.T.	Ref. No.	Part No.	Description	Reqd. No. CX500	Serial No.	Area code
TAILLIGHT ASSY.	0.2	1	33700-415-013	TAILLIGHT ASSY. (STANLEY)	1		DK,DM,SA,U
LENS, TAILLIGHT	0.3		33700-415-602	TAILLIGHT ASSY. (STANLEY)	1		E,ED,F,IT
BASE, TAILLIGHT	0.4		33700-415-612	TAILLIGHT ASSY. (STANLEY)	1		G2,G
SOCKET COMP., TAIL & STOP LIGHT	0.1		33700-415-672	TAILLIGHT ASSY. (STANLEY)	1		CM
SOCKET COMP., LICENSE LIGHT		2	33702-415-601	LENS, TAILLIGHT (STANLEY)	1		E,ED,F,IT
SUB CORD, TAILLIGHT		3	33702-415-671	LENS, TAILLIGHT (STANLEY)	1		CM,DK,DM,SA,U
		3	33703-415-013	BASE, TAILLIGHT (STANLEY)	1		CM,DK,DM,E,ED,F,IT,SA,U
		4	33704-415-003	STAY COMP., TAILLIGHT (STANLEY)	1		
		5	33705-415-601	SUB LENS, TAILLIGHT (STANLEY)	1		E,ED,F,IT
			33705-415-671	SUB LENS, TAILLIGHT (STANLEY)	1		CM,DK,DM,SA,U
		6	33708-371-601	CORD COMP., TAILLIGHT	2		
		7	33710-415-003	SOCKET COMP., TAIL & STOP LIGHT (STANLEY)	2		
		8	33711-415-003	PACKING A, TAILLIGHT LENS (STANLEY)	1		

F-28

Taillight

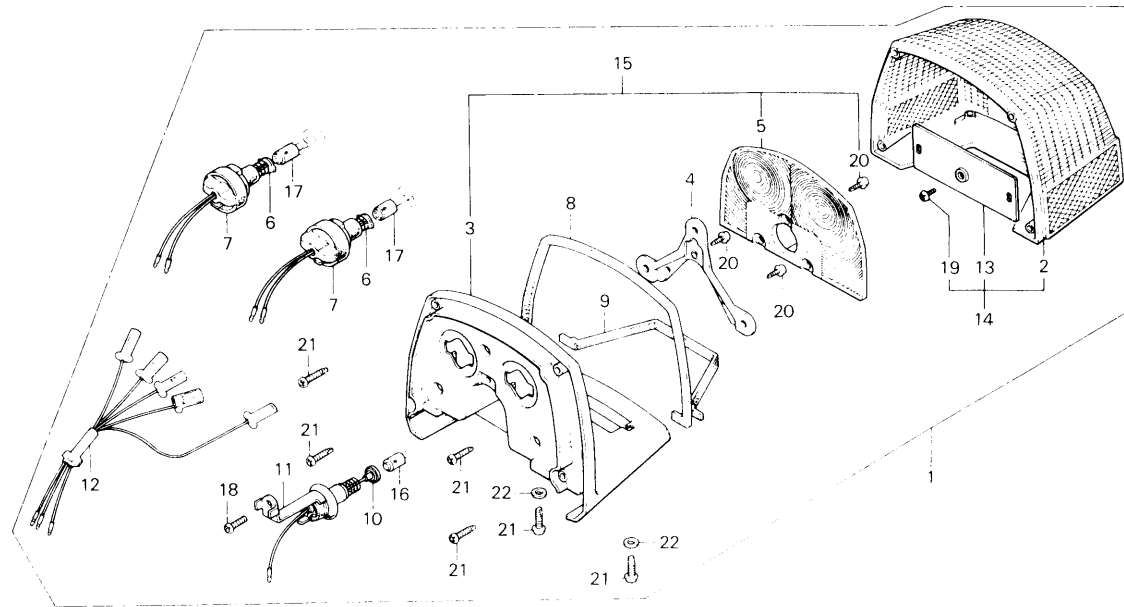


8415 68

Service item	F.R.T.	Ref. No.	Part No.	Description	Reqd. No. CX500	Serial No.	Area code
		9	33712-415-003	PACKING B, TAILLIGHT LENS (STANLEY)	1		
		10	33713-415-003	CORD COMP., LICENSE LIGHT (STANLEY)	1		
		11	33715-415-003	SOCKET COMP., LICENSE LIGHT (STANLEY)	1		
		12	33718-415-003	SUB CORD, TAILLIGHT	1		
		13	33721-415-601	SHADE, LICENSE LIGHT (STANLEY)	1		E,ED,F,IT
		14	33725-415-611	LENS COMP., TAILLIGHT (STANLEY)	1		G2,G
		15	33726-415-611	BASE COMP., TAILLIGHT (STANLEY)	1		G2,G
		16	34616-568-671	BULB, LICENSE LIGHT (12V 4CP)	1		CM
			34905-271-000	BULB, WINKER (12V 10W)	1		DK,DM,SA,U
			34907-634-611	BULB (12V10W)	1		E,ED,F,G2,G,IT

F-28

Taillight

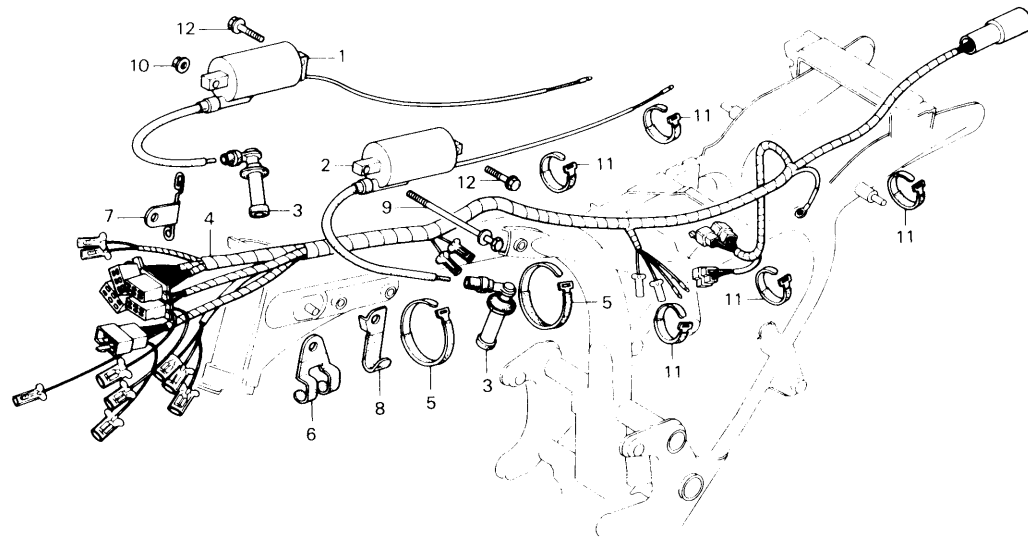


B415 68

Service item	F.R.T.	Ref. No.	Part No.	Description	Reqd. No. CX500	Serial No.	Area code
		17	34906-313-671	BULB, TAIL & STOP LIGHT (12V 23/8W)	2		DK,DM,SA,U
			34906-341-671	BULB, TAILLIGHT (12V 32/3CP)	2		CM
			34911-634-611	BULB (12V21/5W) (LOCAL PROCUREMENT)	2		E,ED,F,C2,G,IT
		18	93500-C4G1C-0A	SCREW, PAN, 4X1C	1		
		19	93901-34110	SCREW, TAPPING, 4X8	1		E,ED,F,IT
		20	93901-34310	SCREW, TAPPING, 4X12	5		CM,DK,DM,E,ED,F,IT,SA,U
					2		G2,G
		21	93901-34410	SCREW, TAPPING, 4X16	6		
		22	94101-C4000	WASHER, PLAIN, 4MM	2		

F-29

Wire harness • Ignition coil

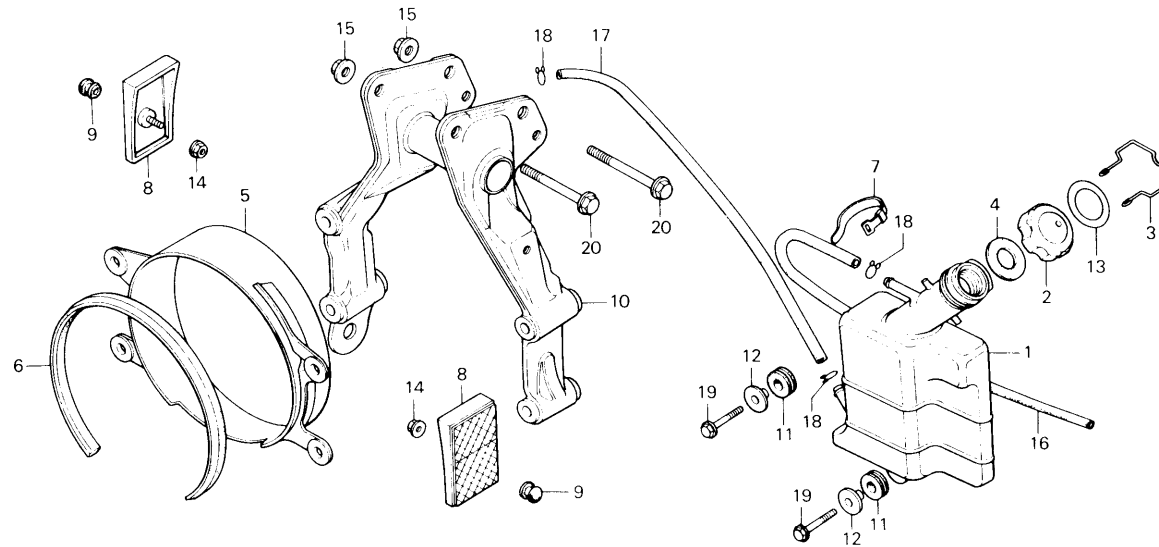


B415-51

Service item	F.R.T.	Ref. No.	Part No.	Description	Reqd. No. CX500	Serial No.	Area code
COIL ASSY., IGNITION (ADD 0.1 FOR EACH.) HARNESS, WIRE	0.2	1	30501-415-003	COIL ASSY., R. IGNITION (TOYO)	1		
	1.6	2	30502-415-003	COIL ASSY., L. IGNITION (TOYO)	1		
		3	30700-415-000	CAP ASSY., NOISE SUPPRESSGR	2		
			4	32100-415-000	HARNESS, WIRE	1	
				32100-415-630	HARNESS, WIRE	1	CM,DK,DM,E,F,G2,G,SA,U
			5	32161-402-000	BAND, WIRE	2	ED,IT
			6	32812-415-000	CLIP, HARNESS	1	
			7	50731-415-000	CLIP, CLUTCH CABLE	1	
			8	50732-415-000	CLIP, THROTTLE CABLE	1	
			9	90088-369-000	BOLT-WASHER, 6X145	1	
			10	94050-06080	NUT, FLANGE, 6MM	1	
			11	95014-61200	BAND A2, WIRE	5	
		12	95700-06016-00	BOLT, FLANGE, 6X16	2		

F-30

Radiator shroud - Reserve tank

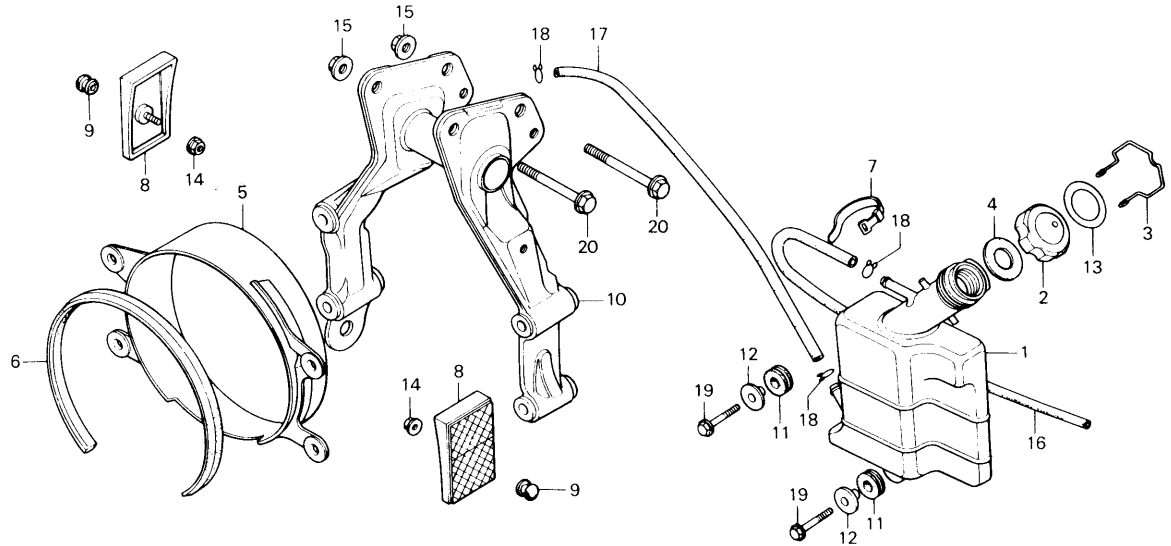


B415-52

Service item	F.R.T.	Ref. No.	Part No.	Description	Reqd. No. CX500	Serial No.	Area code
TANK, RESERVE	*2.7	1	19103-415-000	TANK, RESERVE	1		
SHROUD COMP., RADIATOR	0.8	2	19104-415-000	CAP, RESERVE TANK	1		
REFLECTOR, FR. REFLEX	0.2	3	19105-415-000	WIRE, CAP LOCK	1		
(ONE OR ALL)		4	19106-415-000	PACKING, RESERVE TANK	1		
BRACKET, FR. ENGINE HANGER	C.9	5	19113-415-000	SHROUD COMP., RADIATOR	1		
		6	19114-415-000	PACKING, RADIATOR SHROUD	1		
		7	32161-4C4-000	BAND B1, WIRE	1		
		8	33741-415-671	REFLECTOR, FR. REFLEX (STANLEY)	2		CM,DK,DM,E,ED,G2,G,IT,SA,U
		9	42717-329-000	CAP, RIM HOLE	2		F
		10	50310-415-000	BRACKET, FR. ENGINE HANGER	1		
		11	61103-357-000	RUBBER, FR. FENDER MOUNTING	2		
		12	61104-357-000	COLLAR, FR. FENDER	2		
		13	87507-415-670	LABEL, RESERVE TANK	1		

F-30

Radiator shroud · Reserve tank

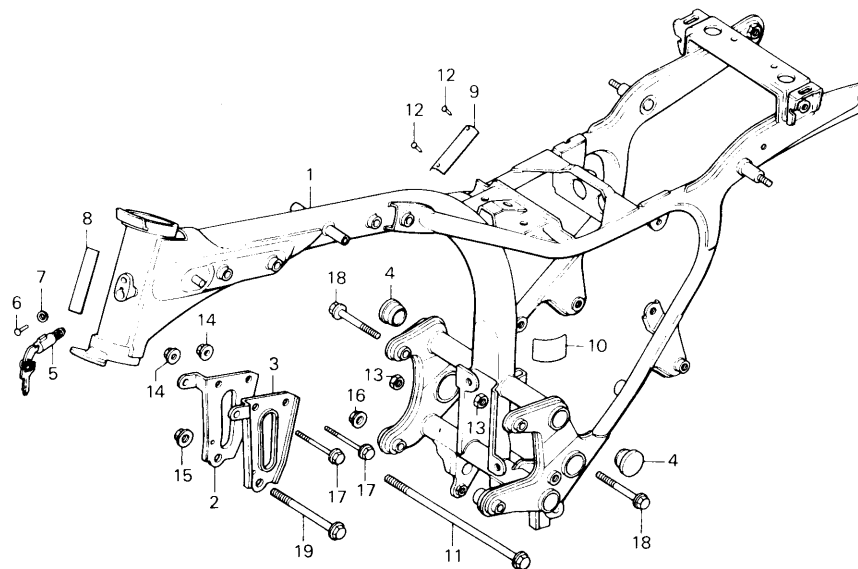


8415-52

Service item	F.R.T.	Ref. No.	Part No.	Description	Reqd. No. CX500	Serial No.	Area code
		14	94050-06080	NUT, FLANGE, 6MM	2		
		15	94050-10000	NUT, FLANGE, 10MM	2		
		16	95001-75500-40	TUBE, FUEL, 7.3X500	1		
		17	95001-75850-40	TUBE, FUEL, 7.5X850	1		
		18	95002-02120	CLIP B12, TUBE	3		
		19	95700-06020-00	BOLT, FLANGE, 6X20	2		
		20	95800-10115-00	BOLT, FLANGE, 10X115	2		

F-31

Frame body

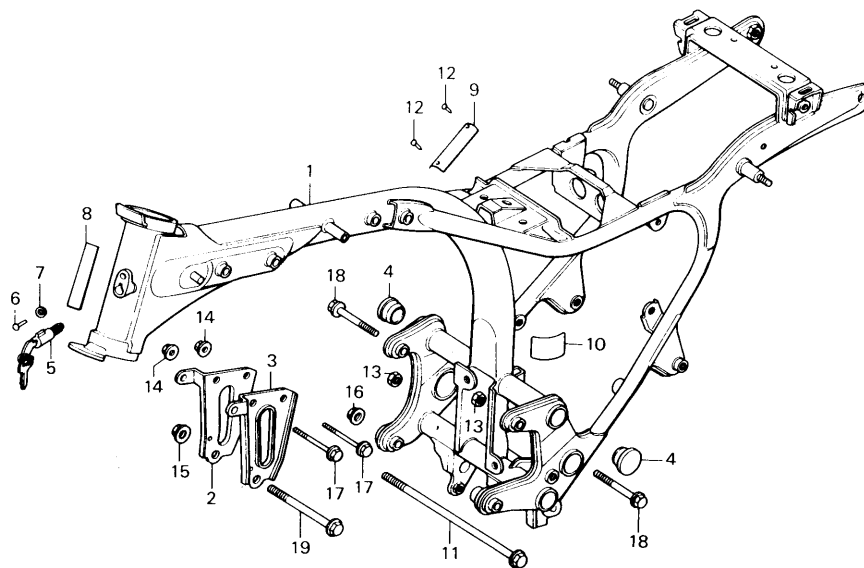


B415-57

Service item	F.R.T.	Ref. No.	Part No.	Description	Reqd. No. CX500	Serial No.	Area code		
BODY COMP., FRAME	*8.0	1	50100-415-000ZA	BODY COMP., FRAME *NH-1*	1		DK,DM,SA		
			50100-415-610ZA	BODY COMP., FRAME *NH-1*	1		E,ED,F,G2,G,IT		
			50100-415-670ZA	BODY COMP., FRAME *NH-1*	1		CM,U		
		2	50313-415-000	PLATE, R. CENTER ENGINE HANGER	1				
		3	50314-415-000	PLATE, L. CENTER ENGINE HANGER	1				
		4	52161-051-000B	CAP, RR. FORK CROSS MEMBER	2				
		5	53600-051-000	LOCK COMP., STEERING HANDLE	1		E,ED,F,G2,G,IT		
		6	53603-051-000	RIVET, 4.1MM	1		E,ED,F,G2,G,IT		
		7	53604-098-940	WASHER, 4.5MM	1		E,ED,F,G2,G,IT		
		8	87125-041-680	PLATE, NAME	1		DK,DM,SA		
		9	87501-415-610	PLATE, REGISTERED NUMBER	1		E,ED,F,G2,G,IT		

F-31

Frame body

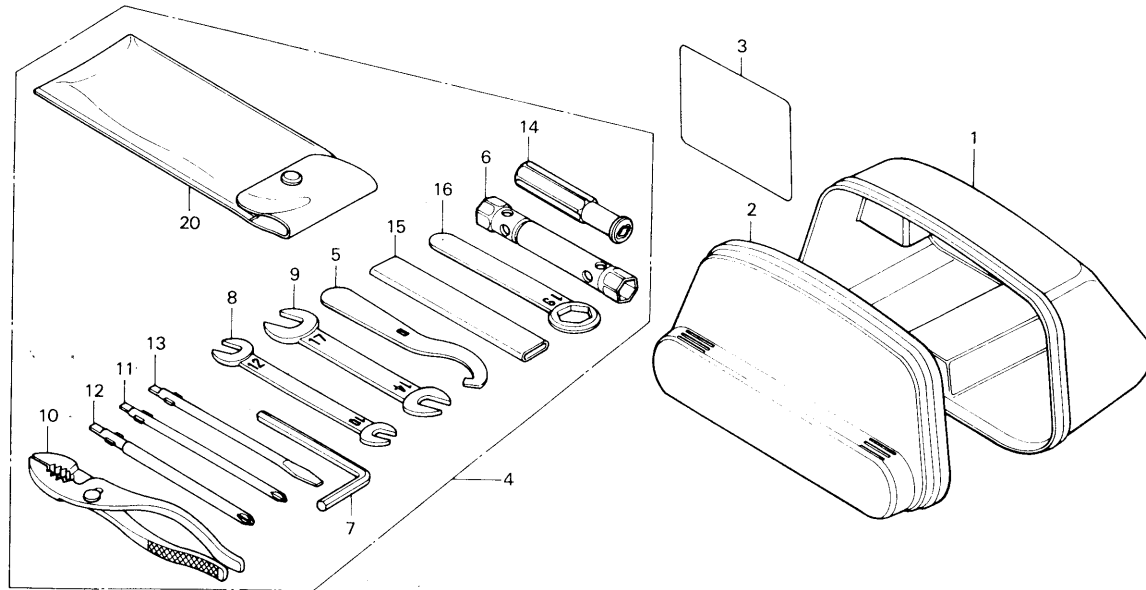


B415-57

Service item	F.R.T.	Ref. No.	Part No.	Description	Reqd. No. CX500	Serial No.	Area code
		10	87506-415-670	MARK, BATTERY CAUTION	1		
		11	90110-415-000	BCLT, FLANGE, 12X308	1		
		12	90841-001-000	SCREW, RIVET, 1.5X5	2		E, ED, F, G2, G, IT
		13	94030-10000	NUT, HEX., 10MM	2		
		14	94050-08000	NUT, FLANGE, 8MM	2		
		15	94050-10000	NUT, FLANGE, 10MM	1		
		16	94050-12000	NUT, FLANGE, 12MM	1		
		17	95800-08100-00	BOLT, FLANGE, 8X100	2		
		18	95800-10070-00	BOLT, FLANGE, 10X70	2		
		19	95800-10115-00	BCLT, FLANGE, 10X115	1		

F-32

Tool



B415-54

Service item	F.R.T.	Ref. No.	Part No.	Description	Reqd. No. CX500	Serial No.	Area code
		1	83502-415-000	CASE A, TOOL	1		
		2	83503-415-000	CASE B, TOOL	1		
		3	87512-387-770	MARK, ACCESSORIES & LOADING	1		CM
				CAUTION			
		4	89010-415-000	TOOL SET	1		
		5	89215-404-670	SPANNER, PIN	1		
		6	89216-415-000	WRENCH, BOX, 18.5X17	1		
		7	89221-371-000	WRENCH, HEX., 6MM	1		
		8	99001-1C120	SPANNER, 10X12	1		
		9	99001-14170	SPANNER, 14X17	1		
		10	99002-13500	PLIERS, 135	1		
		11	99003-10000	DRIVER 2, PLUS SCREW	1		
		12	99003-20000	DRIVER 3, PLUS SCREW	1		
		13	99003-30000	DRIVER 2, MINUS SCREW	1		
		14	99003-50000	GRIP	1		
		15	99006-12000	HANDLE, EYE WRENCH, 120MM	1		
		16	99006-19000	WRENCH, EYE, 19MM	1		
		17	99008-02000	BAG, TOOL, 200MM	1		

Part No.	Block No.								
N° de pièce	N° de block								
Teile-Nr	Block-Nr								
No. de pieza	No. de bloque								
	11000								
11100-415-010	E-18								
11105-415-670	E-18								
11131-415-000	E-18								
11132-415-000	E-18								
11133-415-000	E-18								
11140-415-000	E-18								
11310-415-000	E-14								
11312-415-000	E-13								
11360-415-000	E-9								
11365-415-000	E-18								
11370-415-000	E-8								
11372-415-000	E-8								
11391-415-000	E-9								
11394-415-000	E-14								
11396-415-000	E-12								
11430-415-000	E-12								
11432-415-000	E-12								
	12000								
12200-415-000	E-4								
12209-300-003	E-6								
12210-415-000	E-5								
12215-415-000	E-3								
12221-415-000	E-7								
12230-415-000	E-7								
12231-415-305	E-4								
12241-415-305	E-5								
	E-5								
12251-415-003	E-4								
	E-5								
12311-415-000	E-3								
12328-415-000	E-3								
12329-415-000	E-3								
12361-035-000	E-9								
	E-14								
12361-300-000	F-14								
12431-415-000	E-7								
12901-413-000	E-18								
	13000								
13011-415-003	E-19								
13011-415-004	E-19								
13021-415-003	E-19								
13021-415-004	E-19								
13031-415-003	E-19								
13031-415-004	E-19								
13101-415-000	E-19								
13102-415-000	E-19								
13103-415-000	E-19								
13104-415-000	E-19								
13105-415-000	E-19								
13106-415-000	E-19								
13111-415-000	E-19								
13204-415-010	E-19								
13205-634-010	E-19								
13210-415-010	E-19								
13215-415-013	E-19								
13216-415-013	E-19								
13217-415-013	E-19								
13218-415-013	E-19								
13219-415-013	E-19								
13300-415-000	E-19								
13325-415-305	E-18								
13326-415-305	E-18								
13327-415-305	E-18								
	14000								
14100-415-000	E-7								
14321-415-000	E-16								
14322-415-000	E-16								
14401-415-003	E-16								
14410-415-000	E-6								
14420-415-000	E-6								
14430-415-000	E-6								
14441-415-000	E-7								
14442-415-000	E-7								
14450-415-000	E-6								
14451-415-000	E-7								
14453-415-000	E-7								
14500-415-000	E-16								
14510-415-000	E-16								
14515-415-000	E-16								
14518-413-000	E-16								
14538-415-000	E-16								
14539-415-000	E-16								
14620-415-004	E-16								
14623-415-000	E-16								
14711-415-000	E-6								
14721-415-000	E-6								
14751-415-005	E-6								
14761-415-005	E-6								
14771-551-020	E-6								
14775-300-000	E-6								
14781-551-000	E-6								
	15000								
15100-415-000	E-11								
15115-415-000	E-11								
15116-415-000	E-11								
15140-415-003	E-11								
15141-415-000	E-11								
15142-415-000	E-9								
15155-300-000	E-11								
	E-18								
15220-415-000	E-11								
15411-415-000	E-8								
15412-413-005	E-8								
15414-300-000	E-8								
15415-413-000	E-8								
15420-415-000	E-8								
15650-415-000	E-18								
15771-415-000	E-4								
15772-292-010	F-19								
15772-376-000	E-4								
15773-415-000	E-5								
	16000								
16010-415-003	E-22								
16011-393-004	E-22								
16012-415-003	E-22								
16012-415-611	E-22								
16013-679-005	E-22								
16015-413-004	E-22								
16016-385-681	E-22								
16022-415-003	E-22								
16026-415-003	E-22								
16028-413-004	E-22								
16029-413-004	E-22								
16048-413-004	E-22								
16050-415-003	E-22								
16051-413-004	E-22								
16100-415-003	E-22								
16100-415-611	E-22								
16101-415-003	E-22								
16101-415-611	E-22								
16102-415-003	E-22								
16102-415-611	E-22								
16165-413-004	E-22								
16166-415-003	E-22								
16211-415-003	E-4								
16221-415-003	E-5								
16950-385-701	F-15								
16951-385-701	F-15								
16952-388-005	F-15								
16997-357-003	E-9								
	E-11								
	17000								
17202-415-000	F-19								
17205-415-000	F-19								
17212-415-000	F-19								
17213-415-000	F-19								
17214-415-300	F-19								
17215-415-000	F-17								
17217-415-000	F-19								
17220-415-003	F-19								
17225-415-300	F-19								
17247-303-000	F-17								
17254-415-300	F-19								
17255-356-000	E-4								
	E-5								
17256-358-000	F-19								
17264-415-300	F-19								
17335-415-000	F-19								
17335-415-670	F-19								
17337-323-300	F-19								
17359-419-670	F-19								
17363-415-000	F-19								
17364-415-000	F-19								

Part No.	Block No.										
N° de pièce	N° de block										
Teile-Nr	Block-Nr										
No. de pieza	No. de bloque										
28000		33100-415-612	F-1-2	33700-415-672	F-28	37200-415-671	F-3	41522-415-000	F-14		
		33100-415-622	F-1-2	33702-415-601	F-28	37200-415-721	F-3	41523-415-000	F-14		
		33100-415-672	F-1	33702-415-671	F-28	37202-371-610	F-3				
		33101-415-013	F-1	33703-415-013	F-28	37203-415-000	F-3	42000			
			F-1-1	33704-415-003	F-28	37212-415-671	F-3				
			F-1-2	33705-415-601	F-28	37213-415-000	F-3	42301-415-000	F-12		
		33103-415-003	F-1	33705-415-671	F-28	37215-415-008	F-3	42311-415-000	F-12		
			F-1-1	33708-371-601	F-28	37233-415-000	F-3	42610-415-000	F-13		
			F-1-2	33710-415-003	F-28	37243-323-000	F-22	42623-415-000	F-14		
28102-415-000	E-15	33107-415-003	F-1	33711-415-003	F-28	37250-415-018	F-3	42650-415-305	F-13		
28106-415-000	E-15		F-1-1	33712-415-003	F-28	37250-415-661	F-3	42703-413-780	F-13		
28110-415-000	E-15		F-1-2	33713-415-003	F-28	37260-415-000	F-3	42705-410-000	F-11		
28120-415-000	E-15	33117-415-003	F-1	33715-415-003	F-28	37261-300-000	F-3				
28125-516-030	E-15		F-1-1	33718-415-003	F-28	37262-415-000	F-7				
28126-516-020	E-15		F-1-2	33721-415-601	F-28	37450-415-008	F-3	42706-410-000	F-11		
		33119-371-003	F-1	33725-415-611	F-28	37451-415-008	F-3				
			F-1-1	33726-415-611	F-28	37452-415-000	F-3				
			F-1-2	33731-415-000	F-2	37455-415-000	F-3	42710-415-003	F-13		
		33120-371-601	F-1-2		F-26	37619-415-008	F-3	42710-415-009	F-13		
		33120-371-611	F-1-2	33732-415-000	F-26	37623-415-000	F-6	42710-415-671	F-13		
		33120-415-003	F-1-1	33741-415-601	F-26	37750-611-154	E-2	42710-415-672	F-13		
		33121-405-671	F-1	33741-415-671	F-30			42717-329-000	F-30		
			F-1-1	33905-371-601	F-1-2	38000		42753-634-003	F-11		
			F-1-2								
		33123-415-003	F-1	34000		38102-415-000	F-7				
			F-1-1			38102-415-630	F-7	42753-634-006	F-13		
			F-1-2	34616-568-671	F-28	38103-415-630	F-7				
		33153-415-003	F-1	34901-371-601	F-1-2	38110-413-000	F-7				
			F-1-1	34901-371-621	F-1-2	38120-410-004	F-7	43000			
			F-1-2	34902-259-000	F-3	38300-292-670	F-2				
		33170-323-003	F-1-1	34903-071-003	F-1-1	38300-415-004	F-2	43100-415-000	F-12		
		33170-390-611	F-1-2	34903-388-611	F-1-2	38306-092-670	F-2	43102-319-000	F-12		
		33180-371-601	F-1-2	34905-268-671	F-27	38306-292-000	F-2	43112-410-006	F-10		
		33321-371-672	F-1	34905-271-000	F-28	38400-415-003	F-6	43120-415-000	F-12		
		33400-413-003	F-27	34906-313-671	F-27			43134-300-000	F-12		
		33400-413-602	F-27			40000		43141-415-000	F-12		
		33400-413-671	F-27	34906-341-671	F-28			43145-415-000	F-12		
		33401-292-003	F-27	34907-634-611	F-28			43209-371-006	F-10-1		
		33401-341-701	F-27	34908-634-611	F-27			43209-431-671	F-10		
		33402-268-671	F-27	34911-634-611	F-28	40200-415-000	F-24	43218-371-006	F-10		
		33403-413-003	F-27			40207-415-000	F-24				
		33404-413-003	F-27	35000		40210-415-000	F-24				
		33405-413-003	F-27			40514-147-000	F-17	43352-568-003	F-10		
		33405-413-601	F-27	35010-415-000	F-6	40514-310-000	F-26				
		33405-413-671	F-27	35010-415-600	F-6	40514-333-000	F-15	43353-548-003	F-10		
		33406-268-671	F-27	35100-415-007	F-6						
		33408-413-003	F-27	35100-415-601	F-6	41000		43410-415-000	F-12		
		33450-413-003	F-27	35130-415-671	F-4			43431-415-000	F-24		
		33450-413-602	F-27	35150-415-003	F-4	41300-415-000	F-14	43434-286-000	F-12		
		33450-413-671	F-27	35150-415-601	F-4	41303-415-300	F-14	43451-415-000	F-21		
		33455-413-003	F-27	35200-415-003	F-4	41306-415-000	F-14				
		33455-413-601	F-27	35200-415-601	F-4	41321-415-000	F-14	44000			
		33455-413-671	F-27	35200-415-671	F-4	41324-415-000	F-14				
		33470-415-000	F-2	35330-413-003	F-4	41331-415-000	F-14	44301-413-000	F-11		
		33475-415-000	F-2	35340-413-003	F-5	41332-415-000	F-14				
		33600-415-000	F-27		F-5-1	41333-415-000	F-14	44302-351-610	F-11-1		
		33600-415-600	F-27	35350-415-000	F-21	41351-371-000	F-14	44311-413-000	F-11		
		33602-323-631	F-27	35357-415-000	F-21	41510-415-000	F-14				
		33605-415-000	F-27	35500-333-014	E-9	41511-415-000	F-14	44620-286-000	F-11		
		33605-415-600	F-27	35600-413-003	E-14	41512-415-000	F-14				
		33606-371-000	F-27	35753-415-000	E-21	41513-415-000	F-14	44620-410-000	F-13		
		33625-415-000	F-27	35850-415-007	F-18	41514-415-000	F-14	44643-300-000	F-13		
		33650-415-000	F-10	35856-413-000	F-18	41515-415-000	F-14	44650-415-305	F-11		
		33650-415-600	F-27	35857-415-000	F-18	41516-415-000	F-14	44650-415-610	F-11-1		
		33655-415-000	F-27			41517-415-000	F-14	44680-410-000	F-11		
		33655-415-600	F-27	37000		41518-415-000	F-14				
		33700-415-013	F-28			41519-415-000	F-14	44703-413-780	F-11		
		33700-415-602	F-28	37113-415-008	F-3	41520-415-000	F-14				
		33700-415-612	F-28	37200-415-611	F-3	41521-415-000	F-14	44710-415-003	F-11-1		

Part No.	Block No.	45513-341-671	F-5-1	50715-415-000	F-26	61000	85000
N° de pièce	N° de block	45513-341-771	F-5	50731-415-000	F-29		
Teile-Nr	Block-Nr	45513-371-651	F-5	50732-415-000	F-29		
No. de pieza	No. de bloque	45516-371-003	F-5-1				
		45517-300-003	F-5	51000			
		45518-371-003	F-5-1	51400-415-003	F-9		
44710-415-003	F-11-1	45520-300-000	F-5	51400-415-611	F-9	61104-415-000	F-8
44710-415-009	F-11	45520-371-003	F-5-1	51401-415-003	F-9	61104-357-000	F-30
	F-11-1	45521-300-010	F-5	51402-415-003	F-9	61104-415-000	F-2
44710-415-671	F-11		F-5-1	51403-362-010	F-9	61301-415-000ZA	F-2
44710-415-672	F-11	45522-300-010	F-5	51410-415-003	F-9	61301-415-000ZB	F-2
44800-410-003	F-11		F-5-1	51412-331-770	F-9	61301-415-000ZC	F-2
	F-11-1	45530-404-305	F-5	51421-413-003	F-9	61301-415-000ZD	F-2
44830-415-000	F-3	45530-415-610	F-5-1	51421-415-611	F-9	61301-415-000ZE	F-2
44830-415-610	F-3			51425-369-000	F-9	61302-128-000	F-2
44831-323-000	F-3	46000		51432-388-003	F-9	61303-074-000	F-2
44831-415-610	F-3			51437-373-781	F-9	61303-229-000	F-2
		46138-568-671	F-5-1	51470-415-003	F-9	61304-292-000	F-2
		46500-415-000	F-21	51500-415-003	F-9	61304-415-000	F-2
45000		46514-028-000	F-21	51521-413-003	F-9	61305-415-670	F-2
		46515-415-000	F-21			61306-415-000	F-7
				52000			
45100-415-006	F-10			52100-415-000ZA	F-24	66000	
45100-415-611	F-10-1			52115-415-000	F-24		
45101-410-006	F-10-1	47000		52117-415-000	F-24	66215-634-000	F-26
45101-415-006	F-10			52118-415-000	F-24	66871-671-000	E-1
45105-410-016	F-10-1	47134-567-000	F-3	52161-051-000	F-31		
45105-415-006	F-10			52400-415-003	F-25	77000	
45107-410-006	F-10-1	50000		52401-415-003	F-25		
45107-415-006	F-10			52403-404-003	F-25	77200-415-000	F-16
45108-410-006	F-10-1	50100-415-000ZA	F-31	52410-415-003	F-25	77204-415-000	F-16
45108-415-006	F-10	50100-415-610ZA	F-31	52422-404-003	F-25	77205-415-000	F-16
45109-371-006	F-10	50100-415-670ZA	F-31	52458-329-000	F-25	77205-415-000	F-16
	F-10-1	50197-371-300	F-24	52484-292-000	F-25	77206-329-000	F-16
45110-415-006	F-10	50301-268-000	F-7	52486-415-003	F-25	77206-413-000	F-16
45110-415-611	F-10-1	50302-268-000	F-7	52500-415-003	F-25	77206-415-000	F-16
45112-410-006	F-10-1	50310-415-000	F-30	52517-404-003	F-25	77207-415-000	F-16
45114-371-006	F-10	50313-415-000	F-31			77211-415-000	F-16
	F-10-1	50314-415-000	F-31	53000		77212-415-000	F-16
45116-371-006	F-10-1	50326-415-000	F-19	53100-415-000	F-6	77213-413-000	F-16
45119-371-000	F-10	50327-300-010	F-17	53100-415-610	F-6	77225-413-000	F-16
	F-10-1		F-18	53106-415-000	F-6	77226-413-000	F-16
45123-415-000	F-5-1	50327-415-000	F-17	53107-415-000	F-6		
45125-415-610	F-5-1	50328-415-000	F-17	53108-415-004	F-6	80000	
45126-415-000	F-5	50340-415-000	F-18	53131-415-000	F-6	80100-415-000	F-26
45126-415-610	F-5-1	50500-415-000	F-23	53132-415-000	F-6	80115-415-000	F-26
45128-415-610	F-5-1	50510-413-610	F-23	53141-300-010	F-4	80121-415-640	F-26
45131-410-006	F-10	50520-413-610	F-23	53165-390-780	F-4	80500-415-000ZA	F-26
	F-10-1	50523-415-610	F-23	53166-390-780	F-4	80500-415-000ZB	F-26
45132-410-006	F-10	50526-300-000	F-23	53175-393-771	F-5	80500-415-000ZC	F-26
	F-10-1	50527-415-000	F-23	53175-431-670	F-5-1	80500-415-000ZD	F-26
45133-329-000	F-12	50540-415-670	F-23	53190-410-000	F-4	80500-415-000ZE	F-26
45133-371-006	F-10	50542-341-610	F-23	53192-268-000	F-4	80500-415-640ZA	F-26
	F-10-1	50548-356-700	F-23	53200-415-000ZA	F-7	80500-415-640ZB	F-26
45146-371-000	F-5	50549-356-700	F-23	53200-415-610ZA	F-7	80500-415-640ZC	F-26
	F-5-1	50603-033-000	F-22	53211-268-000	F-7	80500-415-640ZD	F-26
45200-415-611	F-10-1	50610-415-000	F-22	53212-250-000	F-7	80500-415-640ZE	F-26
45201-410-006	F-10-1	50612-413-000	F-22	53214-250-000	F-7	80501-415-000	F-26
45210-415-611	F-10-1	50614-413-000	F-22	53220-286-000	F-7	80504-415-610	F-19
45251-415-000	F-11	50615-415-000	F-22	53230-415-000ZA	F-6		
45251-415-610	F-11-1	50619-413-000	F-22	53600-051-000	F-31	80504-415-640	F-26
45417-413-000	F-3	50620-415-000	F-22	53603-051-000	F-31	80510-415-000	F-26
45451-367-690	F-8	50625-415-000	F-22	53604-098-940	F-31		
45500-413-651	F-5	50643-413-000	F-22			90000	
45500-413-671	F-5	50661-413-000	F-22				
45500-413-681	F-5	50710-371-007	F-26				
45500-415-611	F-5-1	50710-377-000	F-22				
45509-371-003	F-5-1	50711-415-000	F-22				
45511-371-003	F-5-1	50712-413-000	F-22				
45513-341-671	F-5	50715-413-000	F-22				

Part No.	Block No.	90305-401-680	F-11-1	91201-951-003	E-8	93481-08040-00	F-7	94050-06000	F-20
N° de pièce	N° de block	90308-357-000	F-14	91202-283-013	E-12	93500-03008-1A	F-1	94050-06080	F-27
Teile-Nr	Block-Nr	90309-315-000	F-24	91202-415-003	E-17		F-1-1		F-3
No. de pieza	No. de bloque	90315-504-000	F-25	91202-415-004	E-17		F-1-2		F-16
		90321-315-670	F-2	91203-023-020	E-14	93500-04008-0A	F-19		F-17
90006-413-000	E-7	90324-300-000	F-17	91211-415-003	E-7	93500-04010-0A	F-28		F-23
	E-8	90354-431-670	F-4	91211-415-004	E-7	93500-04016-0A	F-5-1		F-26
	E-9	90355-369-000	F-15	91252-230-003	F-11	93500-04020-0A	F-19		F-29
90006-415-000	E-14	90405-415-000	F-24	91252-230-005	F-11-1	93500-05008-0A	E-4	94050-08000	F-30
90007-413-000	E-13	90407-393-000	F-6		F-11	93500-05008-0H	E-5		F-12
90007-415-000	E-4	90432-121-000	E-6	91255-369-000	F-9	93500-05012-0H	F-27	94050-08080	F-31
	E-5		E-7	91258-410-013	F-11		F-1	94050-10000	F-20
90008-413-000	E-13	90441-044-300	E-10		F-11-1		F-1-1		F-30
90008-415-000	E-7	90441-706-000	E-16	91261-415-003	F-14	93500-C5016-0A	E-12	94050-12000	F-31
90010-415-000	E-15	90451-413-000	E-7	91262-415-003	F-14	93500-05016-0B	F-2	94101-04000	F-3
90012-415-000	E-6	90451-708-000	E-12	91264-415-003	F-14	93500-C5020-0G	E-4		F-28
90013-415-000	E-11		E-15	91265-371-003	F-14		E-5	94101-05000	E-12
90017-371-000	E-3	90452-323-000	E-21	91266-415-003	F-24	93500-05025-0A	F-4	94101-06000	F-5
90021-415-000	E-3		E-4	91266-415-004	F-24	93500-C5035-0A	F-4		F-5-1
90025-415-000	E-4	90452-413-000	E-5	91301-268-020	E-11	93500-C6010-0B	F-20		F-20
	E-5	90452-415-000	E-20		E-18	93500-06012-0G	E-1		F-22
	E-9	90453-415-000	E-20	91302-001-000	E-9	93500-C6014-0B	F-20		F-23
90030-415-000	E-7	90454-415-000	E-12		E-14	93600-06008	F-26		F-26
90050-357-000	E-10	90454-415-000	E-15	91302-001-020	F-14	93700-03025-0B	F-27	94101-06700	E-1
	E-16	90458-324-000	E-7	91302-044-003	E-4	93700-C4006-0C	F-15	94101-06800	F-23
90087-415-000	E-16	90459-413-000	E-10		E-5	93700-05016-0A	F-11	94101-08000	F-9
90088-369-000	F-29	90461-357-000	E-18	91302-371-003	E-2		F-11-1		F-22
90089-415-000	E-2	90471-580-000	F-14	91302-277-000	E-8	93700-05016-0G	F-6		F-24
90105-371-003	F-5-1	90486-028-000	E-11	91302-657-000	E-2	93891-04012-00	F-6	94101-08200	F-26
90105-413-000	F-26	90503-283-000	E-21	91303-001-000	E-18	93891-C5006-08	F-15	94101-10000	E-18
90108-223-000	F-23	90509-642-000	F-6	91307-611-000	E-2	93892-04012-00	F-3		F-27
90109-371-000	F-14	90512-300-000	E-1	91309-300-000	E-13	93892-C4012-08	E-22	94103-06800	F-26
90110-415-000	F-31	90521-292-000	F-26	91311-415-000	E-8	93892-04014-08	E-22	94109-12000	E-9
90112-413-000	F-11	90524-030-000	F-25	91312-415-000	E-16	93892-C4016-08	E-22	94111-04800	E-14
	F-11-1	90534-011-000	F-12	91325-567-005	E-4	93892-C5012-08	E-22	94111-C5000	E-13
90114-310-000	F-4	90534-011-000	F-15		E-5	93892-C5016-08	E-22		F-2
90114-393-770	F-5	90541-371-000	E-3	91353-415-003	F-14	93892-C6016-08	E-22	94111-06000	E-13
	F-5-1	90544-283-000	F-9	91353-415-004	F-14	93893-04012-00	F-5		E-15
90115-415-000	F-26	90545-292-000	F-2	91354-415-003	F-14		F-5-1	94111-06800	F-18
90116-283-010	F-9	90545-300-000	F-5	91355-371-003	F-14	93893-05025-17	E-1	94111-08000	F-9
90116-410-006	F-10		F-5-1	91355-415-000	F-19	93901-12380	F-2	94111-10000	F-24
	F-10-1	90554-240-000	F-14	91356-415-003	F-14	93901-34110	F-28	94201-16120	F-21
90121-102-000	F-3	90557-230-000	F-26	91357-415-003	F-13	93901-34120	F-19	94201-16150	F-22
90121-415-000	F-24		F-11	91359-415-300	F-24	93901-34310	F-28	94201-20180	F-12
90124-458-000	F-6	90581-701-000	F-11-1	91456-371-770	F-6	93901-34410	F-28		F-24
90125-371-000	F-14	90601-300-000	F-3			93902-34410	E-18	94201-25200	F-12
90126-415-000	F-14	90601-369-000	E-20	92000				94201-25250	F-23
90127-393-000	F-12	90701-415-000	F-9	92000-06008	E-11	94000		94201-30250	F-11
90127-415-000	F-24	90841-001-000	E-14	92000-06010	F-10				F-11-1
90128-402-000	F-13		F-31		F-10-1	94001-C4000-05	E-14		F-14
90130-413-000	F-16	91000			F-14	94001-06000	F-3	94201-30400	F-17
90133-286-000	F-24			92000-06028	F-23		F-4	94251-06000	E-16
90133-371-000	F-14	91005-634-004	E-17	92000-08020-0B	F-26		F-21	94301-08140	E-4
90134-371-000	F-14	91005-634-008	E-17	92035-06035-0H	F-21	94001-C8000-05	F-12		E-5
90145-300-000	F-5	91008-374-003	E-21	92500-06040-0A	F-2		F-24		E-9
	F-5-1	91021-415-005	E-15		F-23	94001-10000-05	E-18		E-11
90155-369-000	F-6	91022-415-008	E-20	92500-06070-0B	F-26		F-27	94301-10160	E-18
90155-413-003	F-27	91051-371-003	F-14	92600-06032-0B	E-1	94002-04000-05	F-5-1		E-12
90155-413-611	F-27	91051-371-004	F-14	92700-06055	E-4	94002-C6000	E-13	94301-14200	E-14
90185-371-000	F-6	91066-415-003	F-14		E-5		F-5	94301-14200	E-3
90201-415-000	E-12	91066-415-004	F-24	92700-08050-0B	F-9		F-5-1	94302-03050	E-11
90204-706-000	E-10	91066-415-005	F-24	92700-10090	E-18	94002-06080	F-18	94305-20183	F-15
90205-300-000	E-6	91066-415-006	F-24			94002-06080	F-25	94305-40222	F-24
90207-415-000	E-16	91101-516-000	F-24	93000		94002-10000-05	F-25	94401-25180	E-19
90303-369-000	F-6	91105-415-000	E-15			94021-10020-05	F-25	94510-10000	E-8
90303-431-670	F-24	91201-415-003	E-7	93000-06025-0B	F-27	94030-C8000	F-9	94510-11000	E-13
90305-401-680	F-11		E-7	93000-10040-0B	F-25	94030-10000	F-23	94601-21000	E-19
							F-31	94605-27101	F-9

Part No.	Block No.	95700-06025-00	F-18	99003-20000	F-32
N° de pièce	N° de block	95700-06028-00	E-16	99003-30000	F-32
Teile-Nr	Block-Nr	95700-06032-00	E-11	99003-50000	F-32
No. de pieza	No. de bloque		E-12	99006-12000	F-32
			E-18	99006-19000	F-32
		95700-06035-00	F-19	99008-C2000	F-32
		95700-06040-00	E-15	99101-393-0780	E-22
94608-30000	F-9	95700-06040-08	F-23	99102-393-1120	E-22
94608-50000	E-2	95700-06050-00	E-2		
	E-14		E-5		
	E-18	95700-08016-00	F-26		
		95700-08016-08	F-7		
95000			F-20		
		95700-08020-08	F-2		
		95700-08025-00	E-1		
95001-35480-40	E-22		E-18		
95001-35540-40	E-22		F-21		
95001-55140-40	F-15	95700-08028-00	F-15		
95001-75500-40	F-30	95700-08028-08	F-24		
95001-75850-40	F-30	95700-08032-00	F-20		
95002-01120	F-19	95700-08035-00	E-14		
95002-01150	F-19	95700-08040-00	F-12		
95002-02100	F-15		F-20		
95002-02120	F-30	95700-08040-08	E-12		
95002-02130	F-19	95700-08065-00	F-22		
95002-35000	E-22	95700-10020-08	E-21		
95002-41050-08	E-2	95725-06025-00	F-31		
95003-23012-31	F-19	95800-08100-00	F-22		
95003-12300-20	F-19	95800-10025-00	F-10		
95003-80160-20	F-19	95800-10032-00	F-10-1		
95003-80280-20	F-19		F-31		
95011-64000	F-20	95800-10070-00	F-30		
95014-41000	F-9	95800-10115-00	F-31		
95014-61200	F-29				
95014-71902	F-23	96000			
95014-72102	F-23				
95014-72402	F-23				
95014-73100	F-21	96100-60000-00	F-14		
95015-32001	F-21	96100-60063-00	E-20		
95015-42000	F-21	96100-62050-00	E-20		
95015-52000	F-21	96100-63051-00	F-11		
95015-82000	F-22	96120-63020-10	F-11-1		
95020-11300	F-6		E-20		
95700-06010-00	F-8	96140-62040-00	F-13		
95700-06012-00	E-5	96140-63020-10	F-14		
	E-18	96201-80000	F-7		
	F-17	96211-08000	E-21		
95700-06014-00	E-9	96220-40118	E-21		
	E-11	96220-40140	E-21		
	F-6	96220-60130	E-21		
95700-06014-08	F-18				
95700-06016-00	E-16	98000			
	E-18				
	F-7	98069-38716	E-4		
	F-29		E-5		
95700-06016-08	F-8	98069-58717	E-4		
	F-26		E-5		
95700-06018-00	F-26	98069-58726	E-4		
95700-06018-08	F-22		E-5		
95700-06020-00	E-18	98069-58727	E-4		
	F-5-1		E-5		
	F-7	98200-21000	F-6		
	F-21	98200-22000	F-18		
	F-30				
95700-06020-08	F-17	99000			
95700-06025-00	E-2				
	E-11	99001-10120	F-32		
	E-21	99001-14170	F-32		
	F-5	99002-13500	F-32		
	F-5-1	99003-10000	F-32		