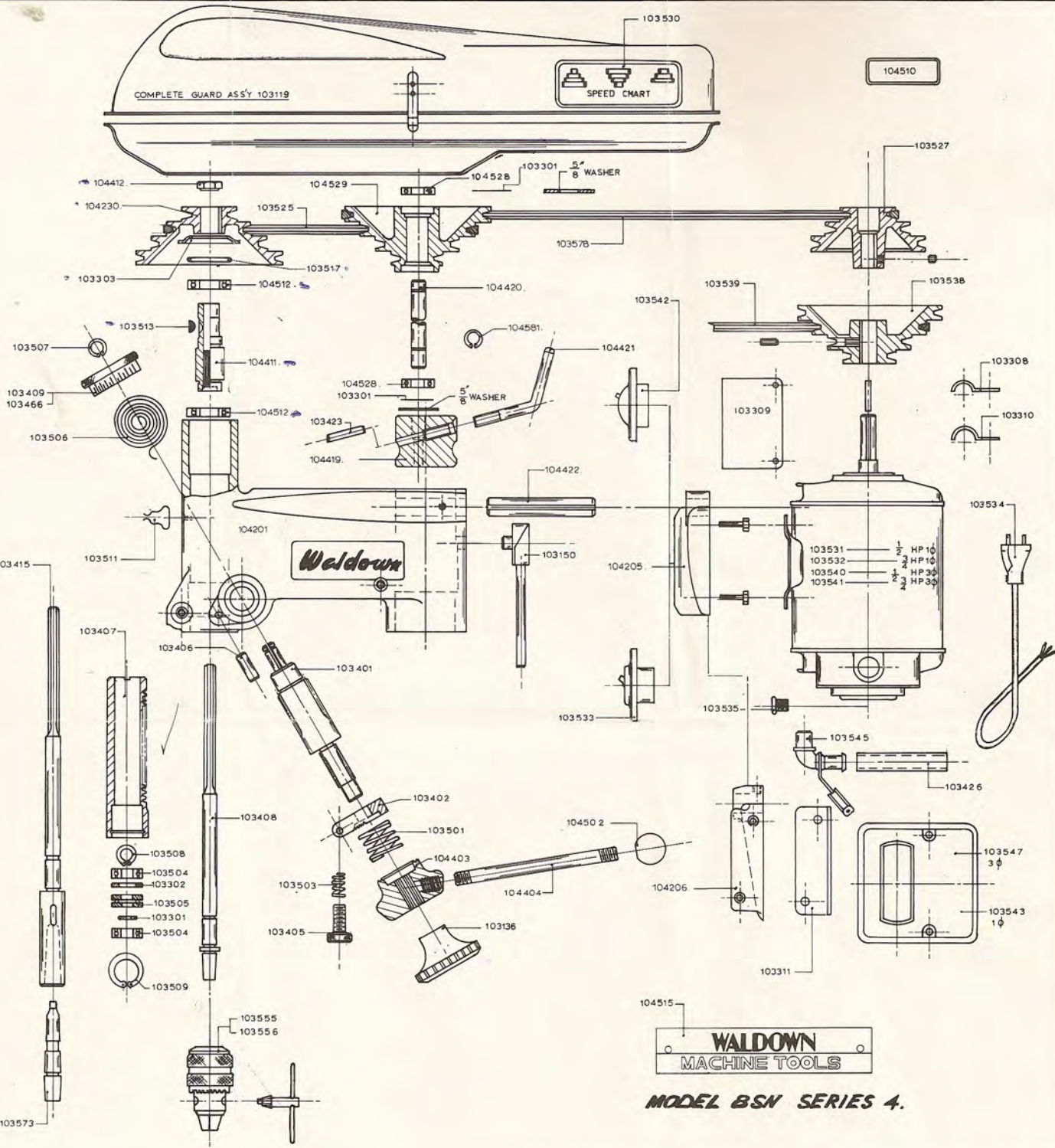


08 9354 777F

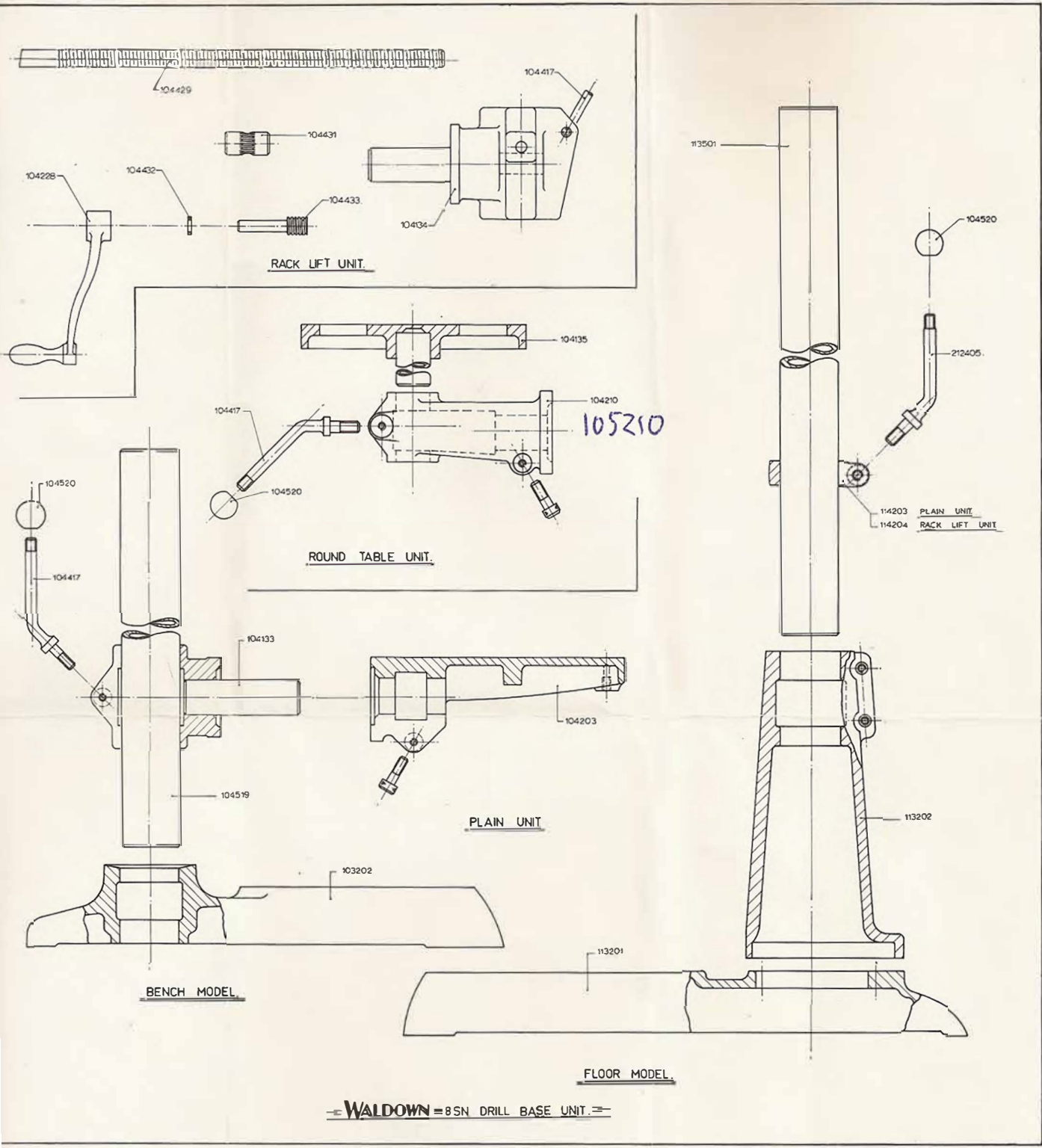


WALDOWN
MACHINE TOOLS

MODEL BSN SERIES 4.

- | | | | | | | | |
|--------|------------------------------|--------|----------------------------|--------|---------------------------------|--------|------------------------------------|
| 103119 | OVERALL BELT GUARD COMPLETE | 103405 | STOP SCREW | 103504 | BEARING 6003Z | 103532 | MOTOR 10 3/4HP. |
| 103136 | BAKELITE HANDNUT | 103406 | STOP PIN | 103505 | THRUST BEARING XLM18 | 103533 | SWITCH 10 CLIPSL |
| 103150 | BELT TENSION CAM ASSEMBLY | 103407 | QUILL | 103506 | RETURN SPRING | 103534 | CORD & PLUG |
| 104201 | HEAD | 103408 | SPINDLE (CHUCK) | 103507 | 1/2" EXTERNAL CIRCLIP | 103535 | 5/8" ELMACO CONDUIT BUSH |
| 104205 | MOTOR PLATE COMBINING SWITCH | 103409 | DIAL (INCH) | 103508 | 17MM EXTERNAL CIRCLIP (SPINDLE) | 103538 | MOTOR PULLEY 4 STEP |
| 104206 | MOTOR PLATE (TAPPER) | 104411 | UPPER SLEEVE | 103509 | 35MM INTERNAL CIRCLIP (QUILL) | 103539 | BELT A44 |
| 104230 | HEAD PULLEY 4 STEP | 104412 | UPPER SLEEVE NUT | 104510 | NAMEPLATE | 103540 | MOTOR 30 1/2HP. |
| 103301 | SHIM (SPINDLE) | 103415 | SPINDLE NO. 2MT | 103511 | KEY CLIP | 103541 | MOTOR 30 3/4HP. |
| 103302 | SHIM (QUILL) | 104419 | INTERMEDIATE DRIVE BLOCK | 104512 | BEARING 6005 VVCM | 103542 | SWITCH CLIPSL TF10 - 30 |
| 103303 | BEARING CAP (UPPER SLEEVE) | 104420 | INTERMEDIATE DRIVE SPINDLE | 103513 | NO.3 WOODRUFF KEY | 103543 | SWITCH M.E.M. 10 426 ADS. |
| 103308 | CORD CLIP 10 | 104421 | INTERMEDIATE DRIVE HANDLE | 104515 | BELT GUARD NAMEPLATE | 103545 | 3/4 x 5/8 ELMACO ELBOW CAT NO. 355 |
| 103309 | SWITCH COVER PLATE | 104422 | MOTOR BARS | 103517 | "O" RING 6230/1 | 103547 | SWITCH M.E.M. 30 246 ADS. |
| 103310 | CORD CLIP 30 | 103423 | INTERMEDIATE DRIVE PLUNGER | 103525 | BELT A30 (HEAD) | 103555 | CHUCK 1/2" |
| 103311 | SWITCH MOUNTING PLATE | 103426 | PLASTIC CONDUIT | 103527 | MOTOR PULLEY 3 STEP | 103556 | KEYLESS CHUCK |
| 103401 | PINION | 103466 | DIAL (METRIC) | 104528 | BEARING 6002 VVCM | 103573 | ARBOR |
| 104402 | STOP | 103501 | HANDLE BOSS SPRING | 104529 | INTERMEDIATE DRIVE PULLEY | 103578 | BELT A26 |
| 104403 | HANDLE BOSS | 104502 | CAPSTAN SPOKE KNOB | 103530 | SPEED CHART | 104581 | 15MM ETERNAL CIRCLIP |
| 104404 | CAPSTAN SPOKE | 103503 | STOP SCREW SPRING | 103531 | MOTOR 10 1/2HP. | | |

also suit 8SN-3 or 4.



3SN Series 3.
or 4.

104133	TABLE SUPPORT PLAIN & PIN ASSEMBLY	104432	THRUST WASHER
104134	TABLE SUPPORT RACK LIFT & PIN ASSEMBLY	104433	SPINDLE (WORM)
104135	ROUND TABLE & PIN ASSEMBLY	103519	COLUMN SHORT
103202	BASE - BENCH MODEL	104520	TABLE SUPPORT LOCKING HANDLE KNOB
104203	TABLE 8 1/2" x 11"	113201	BASE - FLOOR MODEL
104210	ARM	113202	COLUMN SUPPORT
104229	CRANK HANDLE	114203	COLUMN CLAMP
104417	TABLE SUPPORT LOCKING HANDLE	114204	COLUMN CLAMP RACK LIFT
104429	RACK	113501	COLUMN LONG
104431	WORM WHEEL	212405	TABLE SUPPORT LOCKING HANDLE