

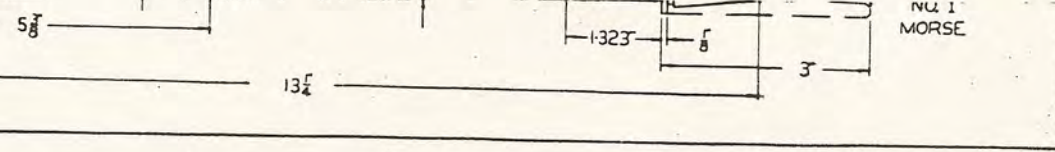
WALDOWN

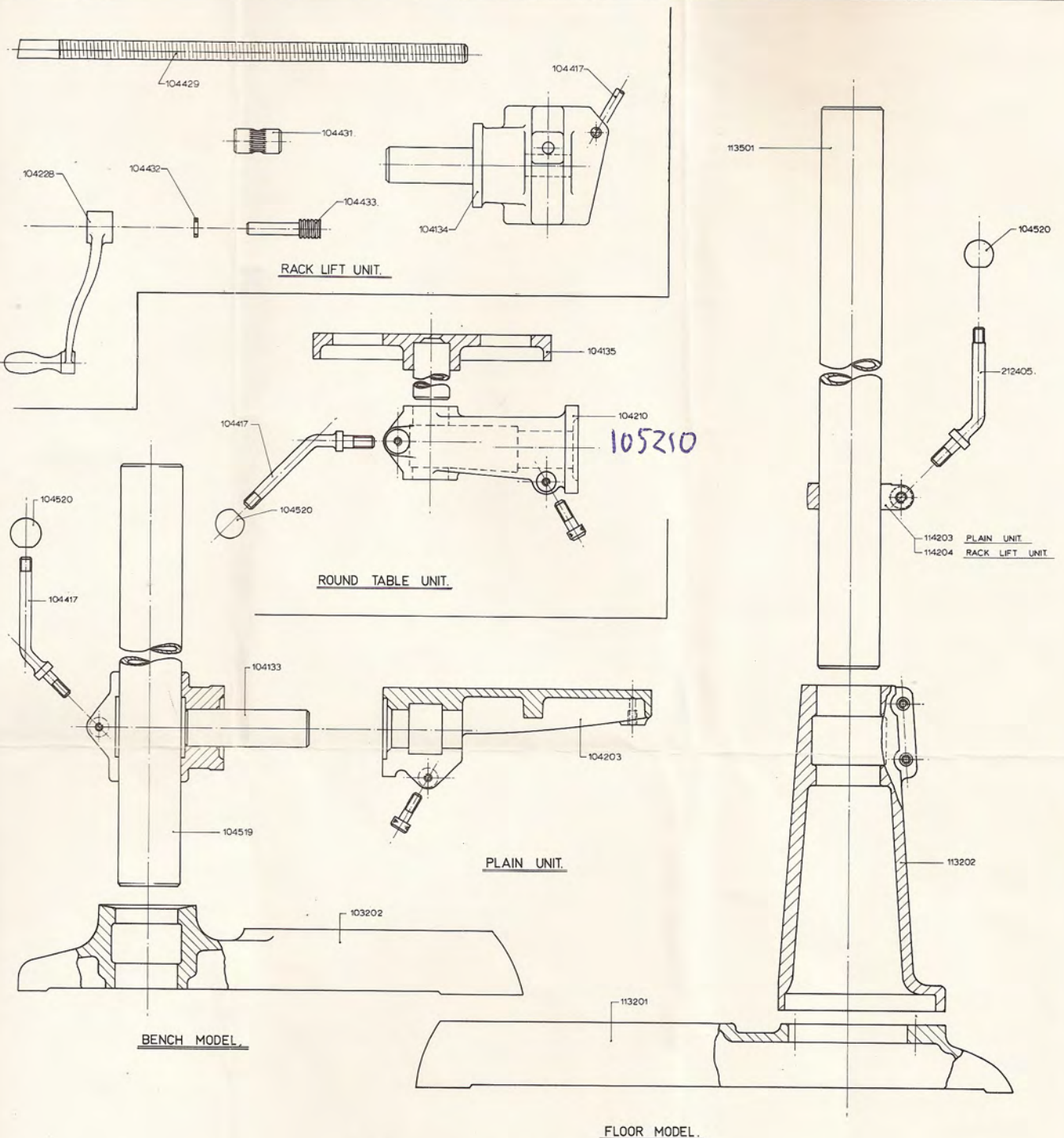
Drilling Machine

TYPE 8 SN

SERIES 3

- | | | | | | | | |
|---------------------|--|---------|---|---------|-------------------------------|-------------------|---|
| 287 | SPINDLE STEADY | BSN3-12 | HEAD BEARING CAP | BSN3-30 | CORD CLIP 3 PHASE LEAD | BSN3-52 | DRILL DRIFT |
| 275 | COLUMN CLAMP | " -13 | BAKELITE HANDLE KNOB $\frac{1}{2}$ " DIA. | " -31 | $\frac{1}{2}$ " CHUCK + KEY | " -53 | 1" DIA. $\frac{1}{8}$ " W BAKELITE KNOB |
| 276 | HEAD | " -14 | CAPSTAN SPOKE | " -32 | N $\frac{1}{2}$ " CHUCK ARBER | " -54 | T.E. SPRING CLIP (GUARD) |
| 292 | SQUARE TABLE $9\frac{1}{2}$ " x $9\frac{1}{2}$ " | " -15 | BAKELITE HAND WHEEL (HANDLE BOSS) | " -33 | N $\frac{3}{4}$ " " " | 336 | SWITCH 1 PHASE |
| 281 | ROUND " " $10\frac{1}{2}$ " DIA. | " -16 | UPPER SLEEVE | " -36 | RETURN SPRING | T-5 | " " " " 3 |
| 2M-7 | INDUSTRIAL " " " " " " | " -17 | " " NUT | " -37 | STOP SCREW SPRING | 6-120 | CORD CLIP 1 PHASE LEAD |
| 286 | 12" x 12" TABLE | " -18 | 8 SPLINE SPINDLE (CHUCK) | " -38 | HANDLE BOSS SPRING | 625 | BAKELITE BUSH |
| 278 | TABLE SUPPORT | " -19 | " " " N $\frac{1}{2}$ MORSE | " -40 | DIAL | 206 | NAME PLATE |
| 262 | ROUND " " ARM | " -20 | " " " N $\frac{3}{4}$ " " | " -41 | STOP | A44 | BELT |
| 283A | MOTOR PLATE + SWITCH BOX | " -21 | QUILL | " -42 | HANDLE BOSS | A26 | INT DRIVE BELT |
| 269 | BASE (WITHOUT TEE SLOTS) | " -22 | TABLE SUPPORT PIN | " -43 | INT DRIVE HANDLE | A30 | " " " " |
| 279A | GUARD (HEAD ONLY) | " -23 | PINION | " -44 | BEARING CAP TOP (INT DRIVE) | EE8 | UPPER SLEEVE BEARINGS |
| 244 $\frac{1}{2}$ " | HEAD PULLEY | " -24 | STOP PIN | " -45 | " " " BOTTOM " " " | 6003Z | QUILL JOURNAL |
| 244 $\frac{1}{8}$ " | MOTOR " " | " -25 | SPIGOT SCREW | " -46 | INT DRIVE SPINDLE | KLJ $\frac{5}{8}$ | INT. DRIVE JOURNAL |
| 227A | INT DRIVE PULLEY | " -26 | QUILL CLAMP SCREW | " -47 | QUILL SHIM | XL M 18 | QUILL THRUST |
| 226 | " " MOTOR PULLEY | " -27 | TABLE SUPPORT CLAMP HANDLE | " -48 | SPINDLE " " | MSP3 | $\frac{1}{2}$ " HP 1 PHASE |
| 242A | " " BLOCK | " -27 | ROUND " " | " -49 | STOP SCREW | MTP1 | " " " " 3 |
| BSN3-10 | COLUMN | " -28 | MOTOR RODS | " -50 | SWITCH COVER PLATE | MTP16 | " " " " 3 |
| " -11 | " CAP | " -29 | HEAD SUPPORT PIN | " -51 | T.E. BELT GUARD | | |





— **WALDOWN** = 8 SN. DRILL BASE UNIT. —

8SN Series 3.
or 4.

104133	TABLE SUPPORT PLAIN & PIN ASSEMBLY	104432	THRUST WASHER
104134	TABLE SUPPORT RACK LIFT & PIN ASSEMBLY	104433	SPINDLE (WORM)
104135	ROUND TABLE & PIN ASSEMBLY	103519	COLUMN SHORT
103202	BASE - BENCH MODEL	104520	TABLE SUPPORT LOCKING HANDLE KNOB
104203	TABLE 9 1/2" x 11"	113201	BASE - FLOOR MODEL
104210	ARM	113202	COLUMN SUPPORT
104228	CRANK HANDLE	114203	COLUMN CLAMP
104417	TABLE SUPPORT LOCKING HANDLE	114204	COLUMN CLAMP RACK LIFT
104429	RACK	113801	COLUMN LONG
104431	WORM WHEEL	212405	TABLE SUPPORT LOCKING HANDLE